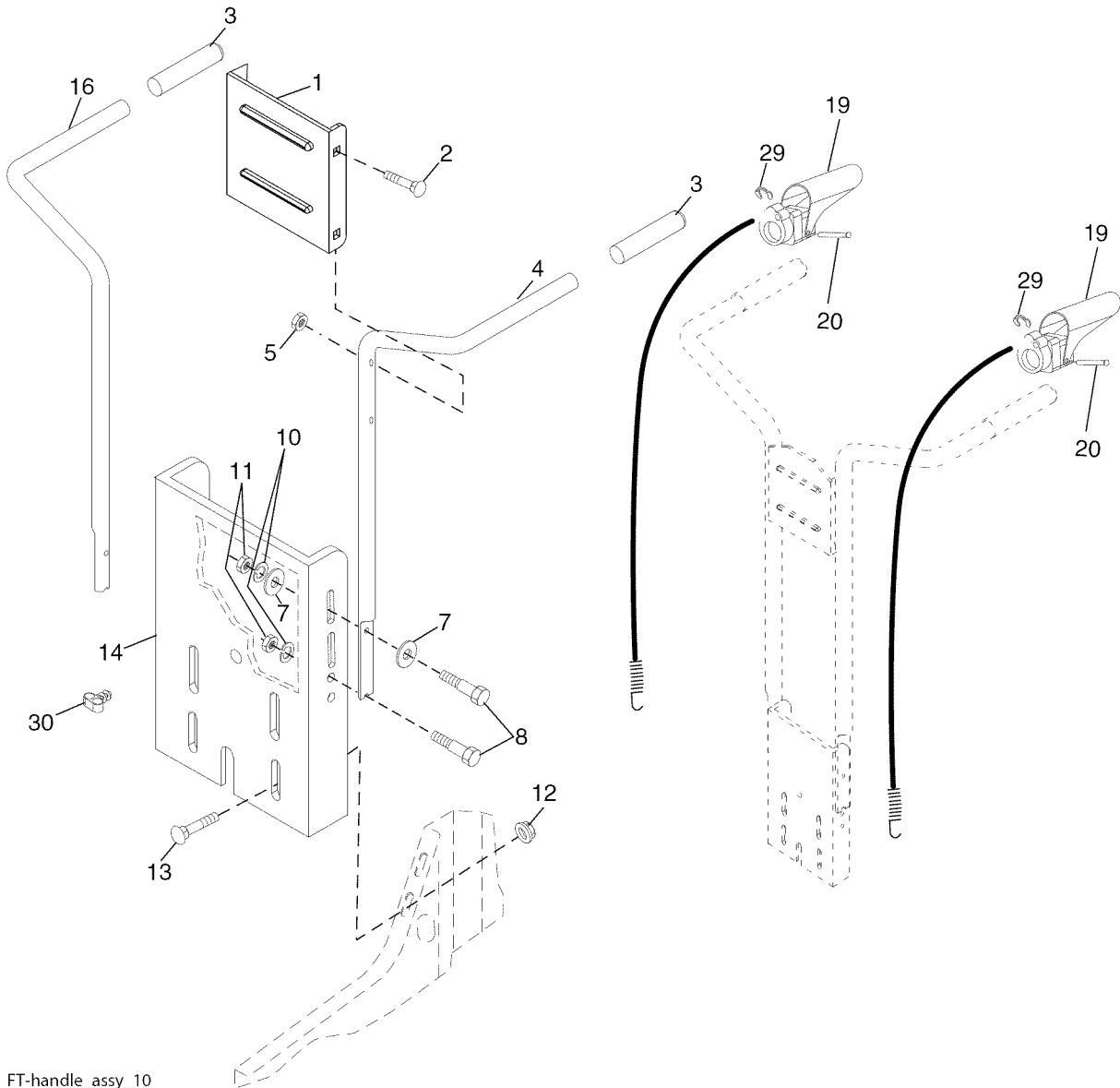


REPAIR PARTS

CRAFTSMAN TILLER - - MODEL NUMBER 917.986940

HANDLES



FT-handle_assy_10

KEY PART NO. NO.

KEY PART NO.	NO.	DESCRIPTION
1	137176X615	Panel, Control
2	72140512	Bolt, Carriage 5/16-18 x 1-1/2
3	165787	Grip, Handle
4	166376X479	Handle, LH, Double Bend
5	751153	Nut, Crownlock 5/16-18
7	19121414	Washer 3/8 x 7/8 x 14 Gauge
8	74760520	Bolt, Hex Head 5/16-18 x 1-1/4
10	10040500	Washer, Lock 5/16
11	73220500	Nut, Hex, Flanged 5/16-18
12	98000129	Nut, Flanged

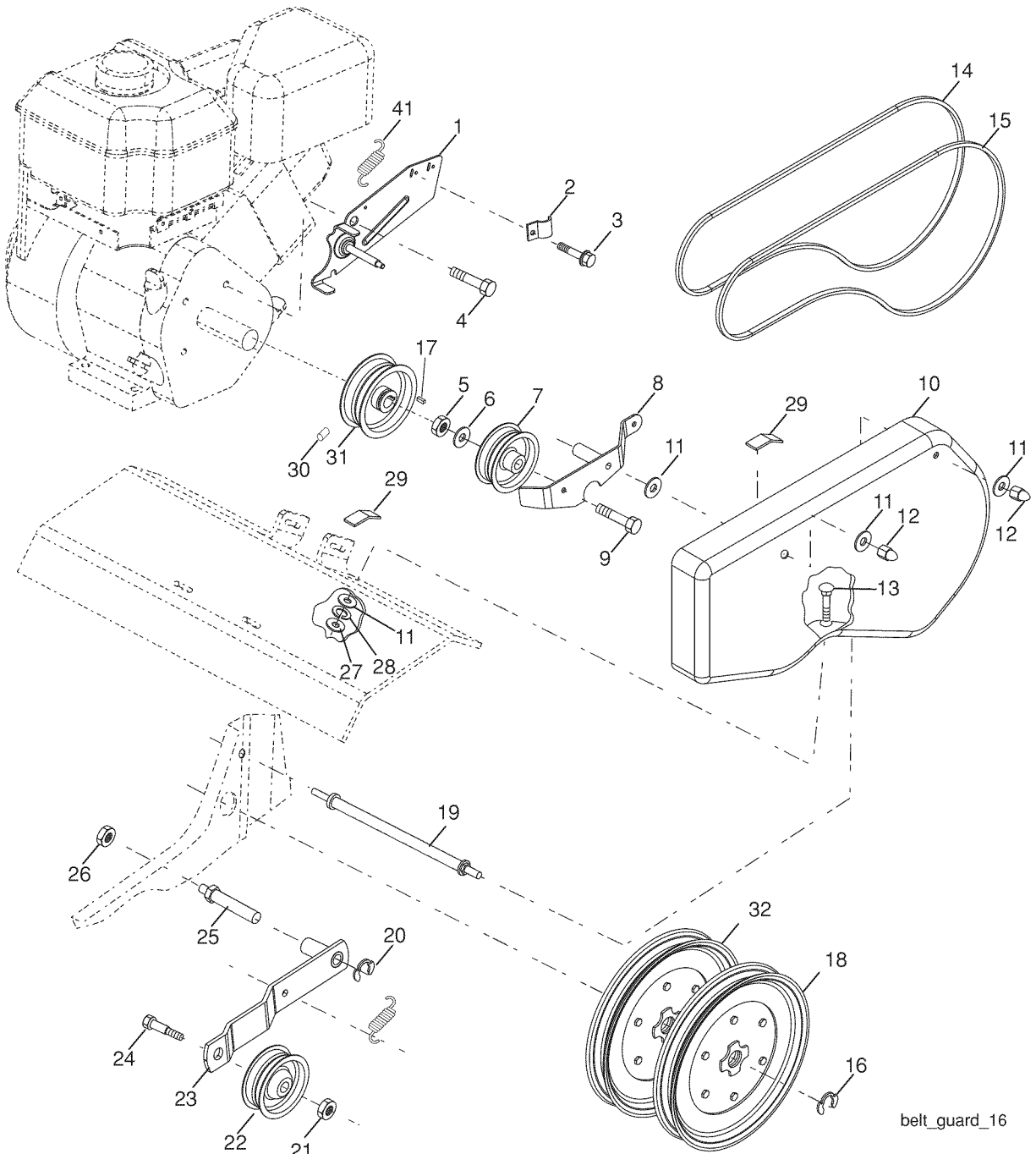
KEY PART NO. NO.

KEY PART NO.	NO.	DESCRIPTION
13	180847	Bolt, Carriage 5/16-18 x 3/4
14	9209RX615	Assembly, Panel
16	166381X479	Handle, RH, Double Bend
19	188562	Lever, Control, Tine
20	188555	Pin, Pivot
29	12000059	Retainer, Ring
30	181580	Routing Clip

NOTE: All component dimensions given in U.S.inches.
1 inch = 25.4 mm

CRAFTSMAN TILLER - - MODEL NUMBER 917.986940

BELT GUARD AND PULLEY ASSEMBLY

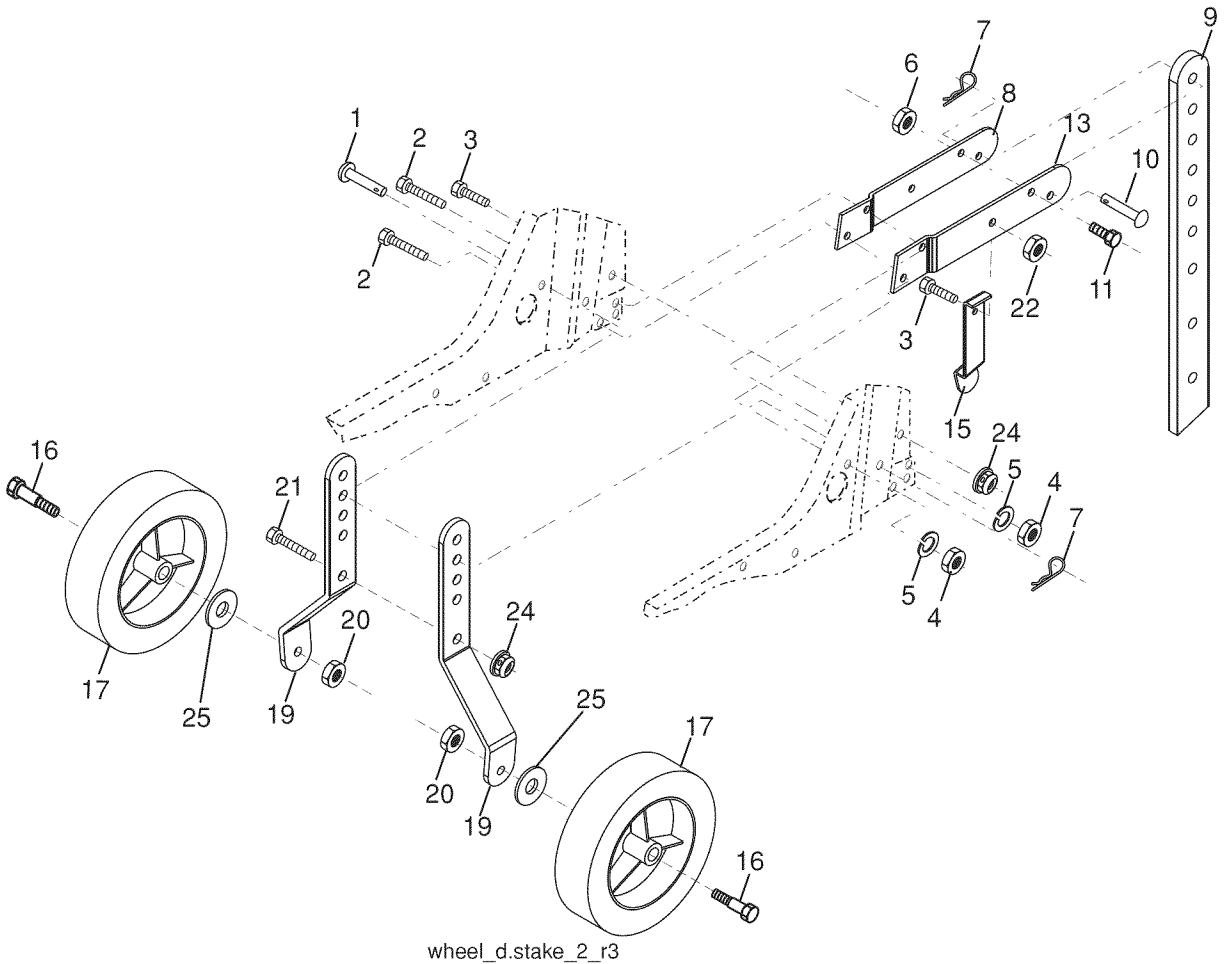


KEY PART NO.	NO.	DESCRIPTION
1	439158X479	Bracket Assembly, Belt Guard
2	9484R	Clip, Cable
3	150050	Screw #10-24 x 1/2
4	74610812	Bolt, Hex Head 1/2-20 x 3/4
5	751153	Nut, Lock 3/8-16
6	437259	Bushing
7	430846	Pulley, Idler, Reverse
8	159238X479	Reverse Idler Arm Assembly
9	74780536	Screw, Hex Cap Head 3/8-16 x 2
10	194630X615	Guard, Belt
11	19091016	Washer 9/32 x 5/8 x 16 Gauge
12	104213X	Nut, Cap 1/4- 20
13	72140406	Bolt, Carriage 1/4-20 x 3/4
14	133035	V-Belt (Forward Motion)
15	2614J	V-Belt (Reverse)
16	12000028	Ring, Retainer
17	2649M	Key, Square
18	151236	Sheave, Transmission "Flat"

KEY PART NO.	NO.	DESCRIPTION
19	188502	Bolt, Belt Guard
20	12000036	Ring, Klip
21	73350600	Nut, Hex, Jam 3/8-16
22	180522	Pulley, Idler
23	58053002	Arm, Idler
24	74520520	Bolt 3/8-16 x 1-1/4
25	106968X	Shaft, Idler Arm
26	751153	Nut, Hex, Jam 5/16-18
27	73220400	Screw, Hex 1/4-20
28	10040400	Washer, Lock 1/4
29	109227X	Pad, Idler
30	23200404	Screw, Set, Socket, Headless C.P. 1/4-20 x 1/4
31	101189L	Sheave, Engine
32	151223	Sheave, Transmisison
41	180307	Spring Extension

NOTE: All component dimensions given in U.S.inches.
1 inch = 25.4 mm

CRAFTSMAN TILLER - - MODEL NUMBER 917.986940
WHEEL AND DEPTH STAKE ASSEMBLY

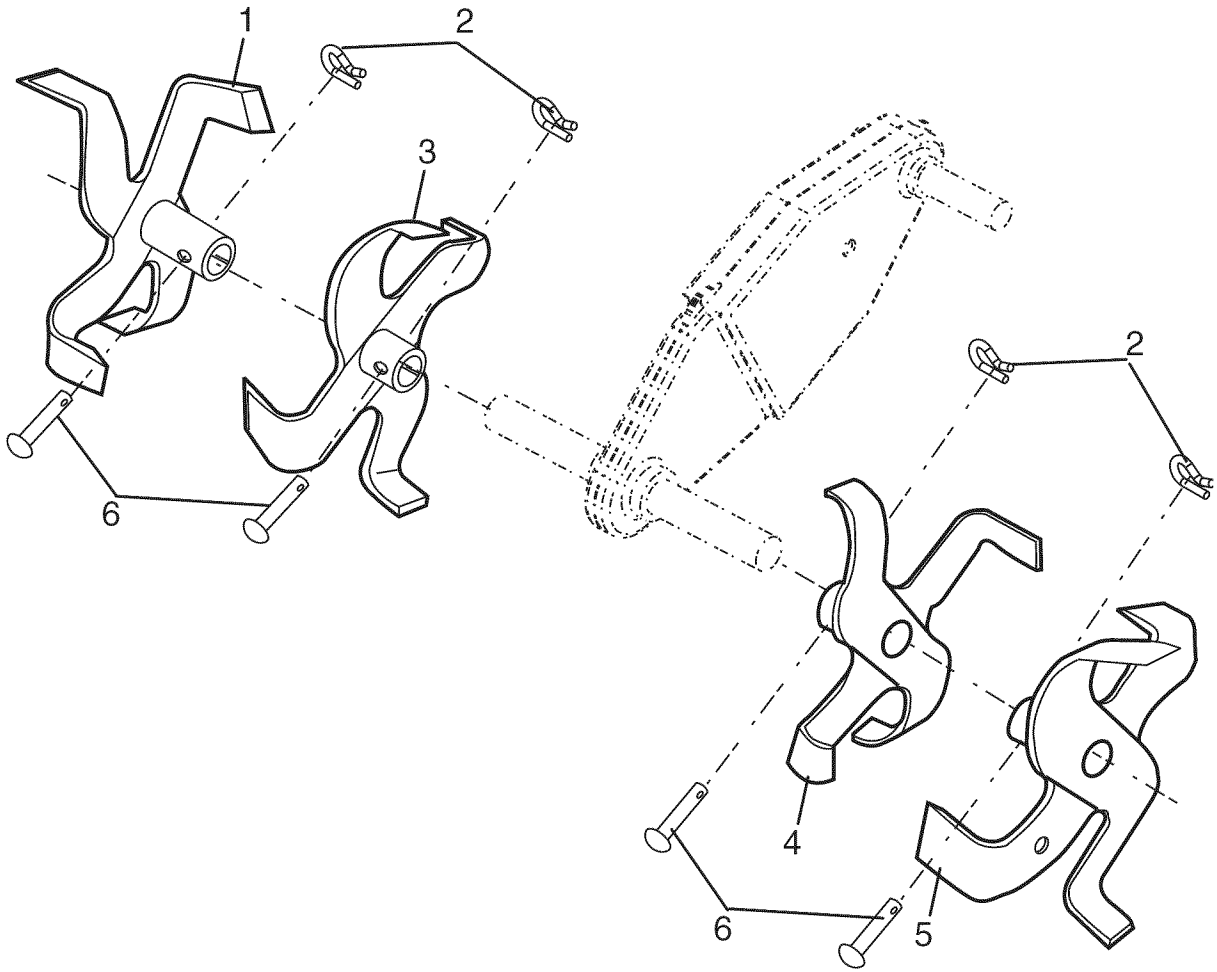


KEY PART NO.	NO.	DESCRIPTION
1	9194R	Pin, Clevis
2	74760520	Bolt, Hex Head 5/16-18 x 1-1/4
3	74760512	Bolt, Hex Head 5/16-18 x 3/4
4	73220500	Nut
5	10040500	Washer, Lock 5/16
6	73800600	Locknut, Hex, with Washer Insert 3/8-16
7	4921H	Clip, Hairpin
8	1952JX479	Support, Depth Stake, R.H.
9	122233X479	Stake, Depth
10	4929H	Pin, Clevis
11	74780628	Bolt, Hex Head 3/8-16 x 1-3/4
13	1951JX479	Support, Depth Stake, L.H.

KEY PART NO.	NO.	DESCRIPTION
15	5388JX004	Spring, Stake
16	121117X	Bolt, Shoulder
17	193851X428	Wheel
19	9190RX479	Bracket, Wheel
20	73680600	Nut, Crownlock 3/8-16
21	74760516	Bolt, Hex Head 5/16-18 x 1
22	73800500	Locknut, Hex, with Washer Insert 5/16-18
24	73970500	Locknut, Hex 5/16-18
25	19171416	Washer 17/32 x 7/8 x 16 Gauge

NOTE: All component dimensions given in U.S.inches.
 1 inch = 25.4 mm

CRAFTSMAN TILLER - - MODEL NUMBER 917.986940
TINE ASSEMBLY

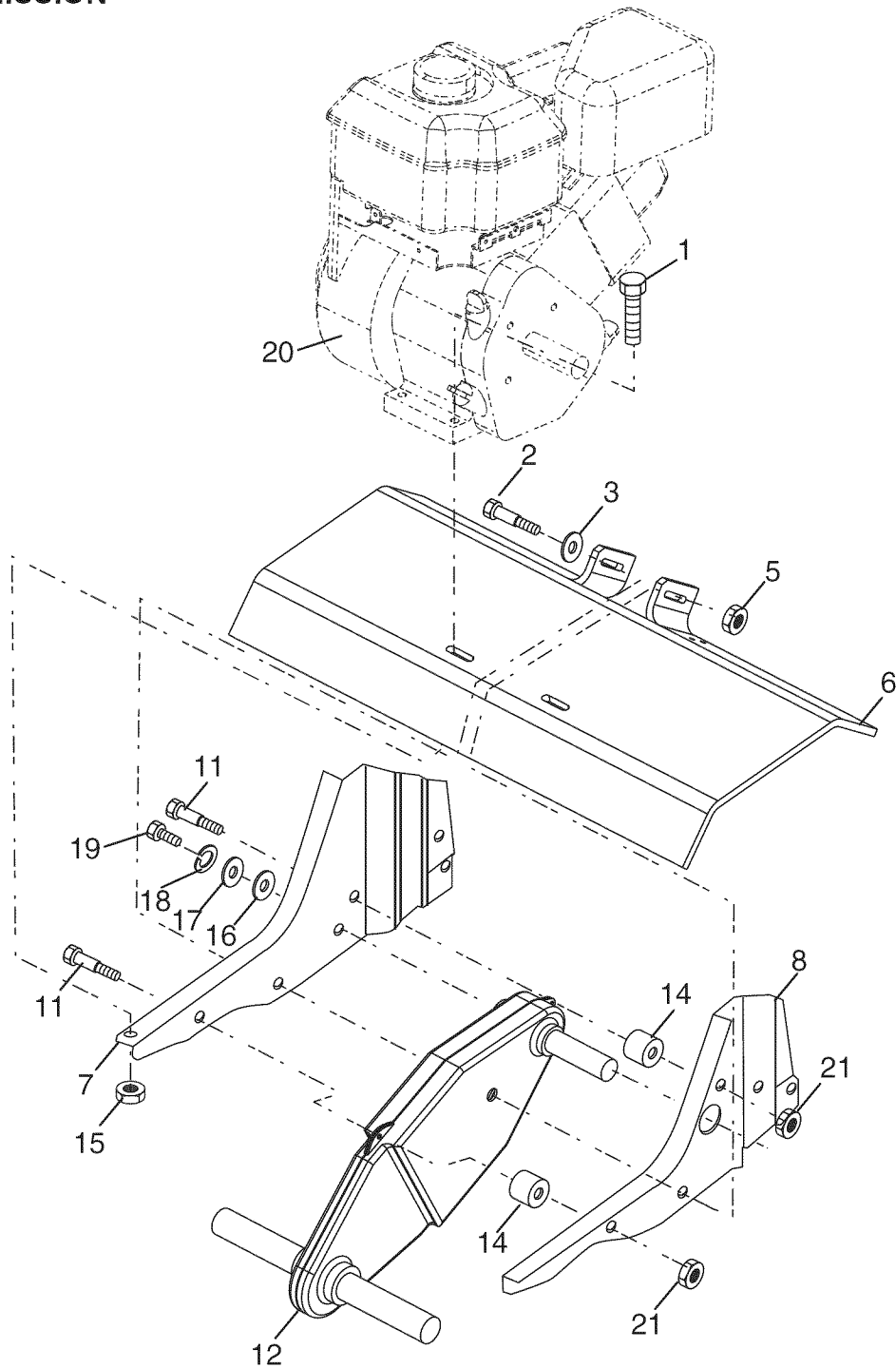


tine_ipb_3

KEY PART NO.	NO.	DESCRIPTION
1	156926X479	Tine, Outer, R.H.
2	3146R	Retainer, Spring, Zinc Plated
3	156924X479	Tine, Inner, R.H.
4	156923X479	Tine, Inner, L.H.
5	156925X479	Tine, Outer, L.H.
6	4929H	Pin, Clevis

NOTE: All component dimensions given in U.S.inches.
 1 inch = 25.4 mm

CRAFTSMAN TILLER - - MODEL NUMBER 917.986940
TRANSMISSION



**KEY PART
 NO. NO.**

KEY PART NO.	NO.	DESCRIPTION
1	74760524	Bolt, Hex Head, Grade 2 5/16-18 x 1-1/2
2	74780652	Bolt, Hex Head 3/8-16 x 3-1/4
3	19131311	Washer 13/32 x 13/16 x 11
5	73900600	Locknut, Hex, with Washer Insert 3/8-16
6	9056RX615	Shield, Tine
7	188195X479	Bracket, Engine, R.H.
8	165834X479	Bracket, Engine, L.H.
11	187912	Bolt, Shoulder 5/16-18 UNC x 2-1/2
12	151222	Transmission
14	446548	Spacer, Split
15	73970500	Locknut, Hex, Flanged 5/16-18 UNC

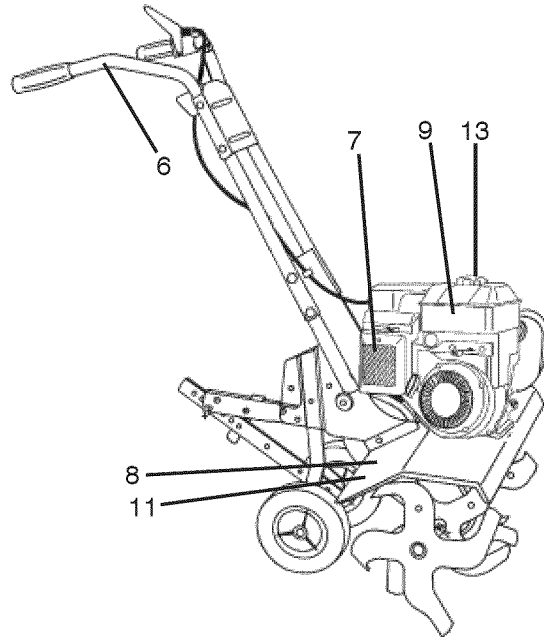
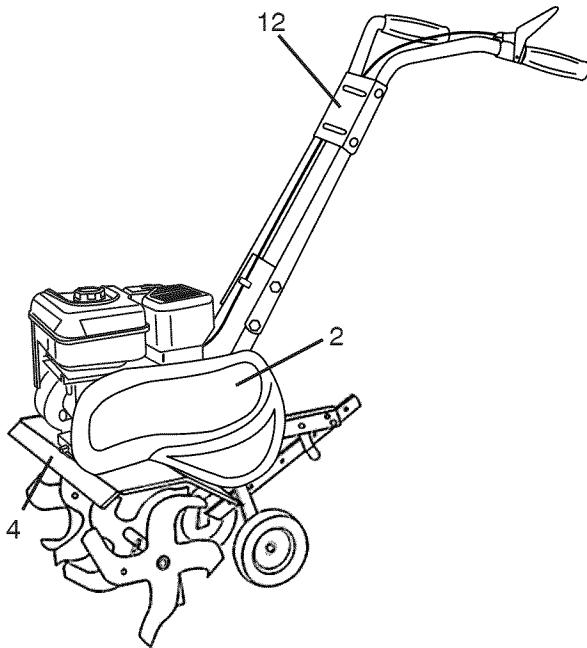
**KEY PART
 NO. NO.**

KEY PART NO.	NO.	DESCRIPTION
16	19091412	Washer 9/32 x 7/8 x 12 Gauge
17	19092016	Washer 9/32 x 1-1/4 x 16 Gauge
18	10040400	Washer, Lock 1/4
19	74610412	Bolt, Hex Head, Grade 5 1/4-28 x 3/4
20	---	Engine, Briggs & Stratton, Model Number 12T402-1613-F8 (See Breakdown)
21	751153	Nut, Hex 5/16-18

NOTE: All component dimensions given in U.S.inches.
 1 inch = 25.4 mm

CRAFTSMAN TILLER - - MODEL NUMBER 917.986940

DECALS



KEY PART NO.	PART NO.	DESCRIPTION
2	581821001	Decal, Belt Guard
4	581821101	Decal, Tine Shield
6	141907	Decal, Hand Placement
7	432278	Decal, Engine AC
8	162215	Decal, Tine Shield Warning
9	409143	Decal, Engine Tank
11	141906	Decal, Warning, Rotating Tines
12	581820901	Decal, Console
13	423830	Decal, Ethanol
--	581785496	Manual, Owner's (English/Spanish)

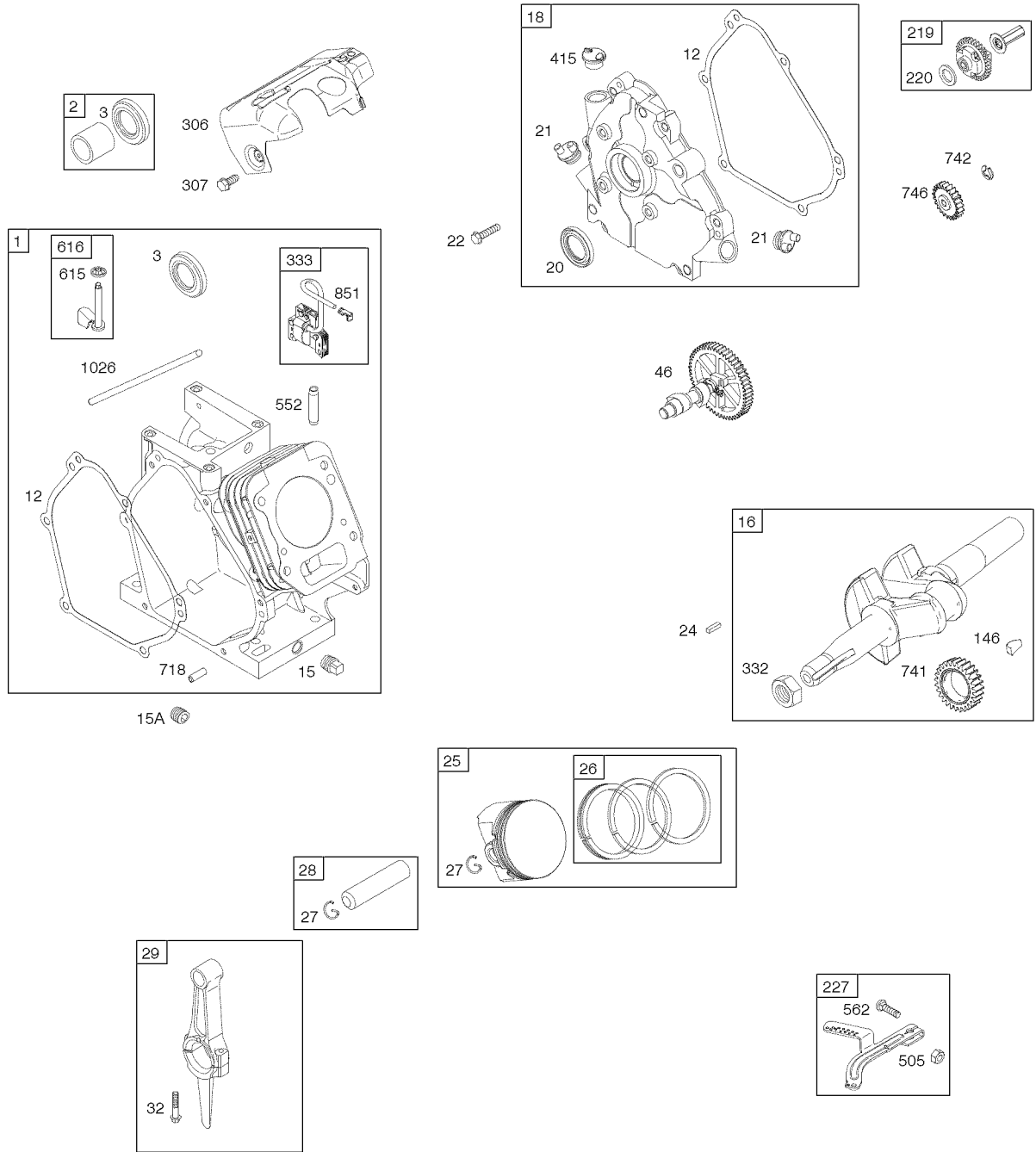
CRAFTSMAN TILLER - - MODEL NUMBER 917.986940
ENGINE, BRIGGS & STRATTON -- MODEL NUMBER 12T402, TYPE NO. 1613-F8

48 SHORT BLOCK

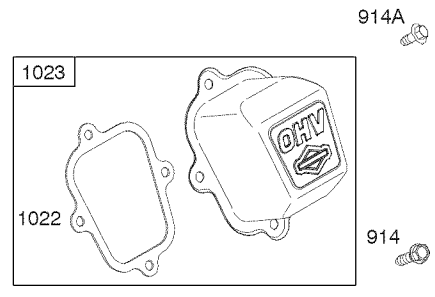
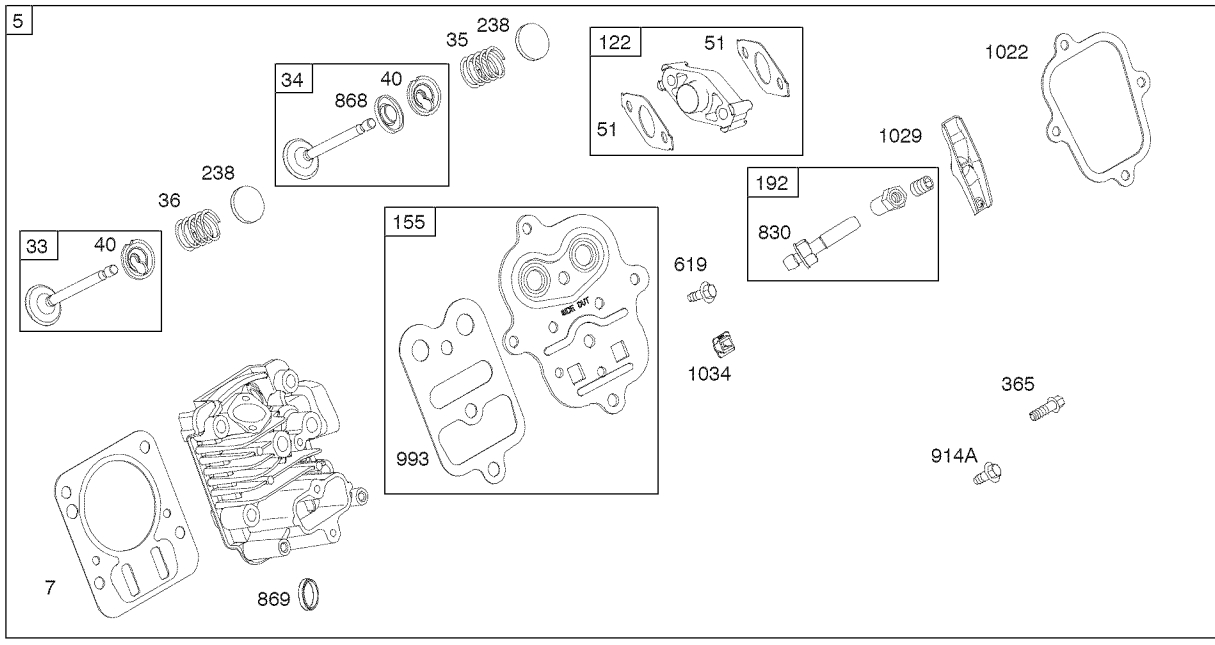
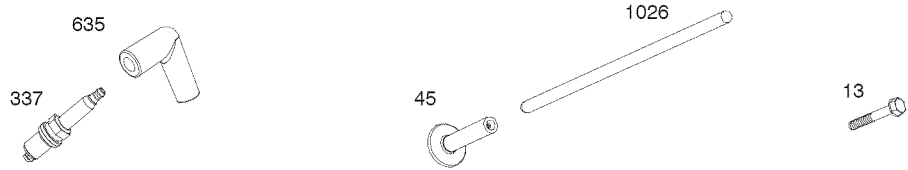
1058 OPERATOR'S MANUAL

1329 REPLACEMENT ENGINE

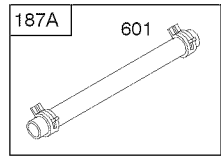
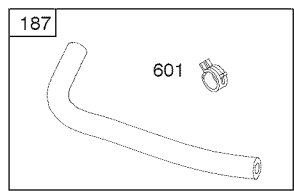
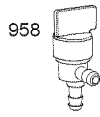
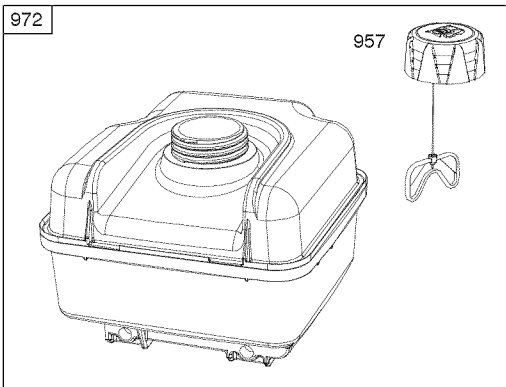
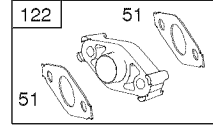
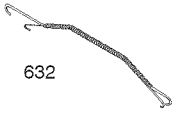
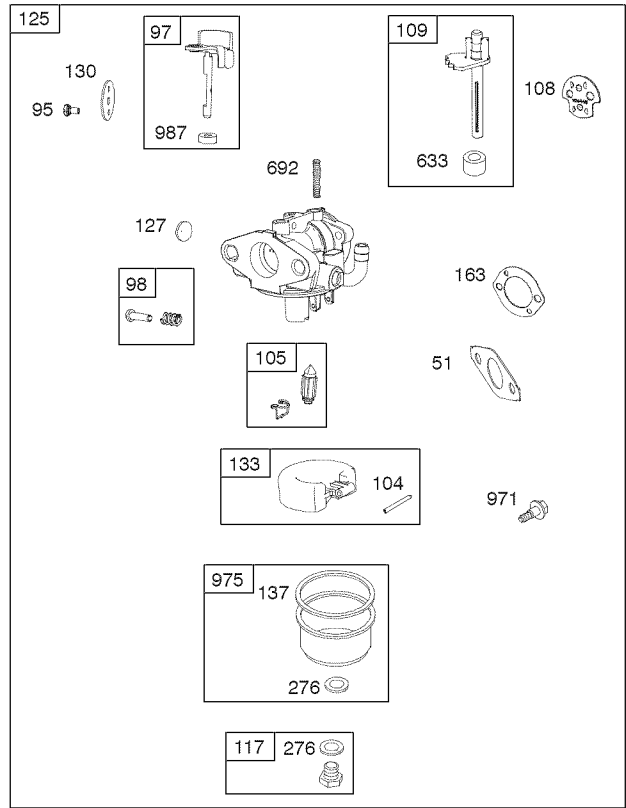
1330 REPAIR MANUAL



CRAFTSMAN TILLER - - MODEL NUMBER 917.986940
ENGINE, BRIGGS & STRATTON -- MODEL NUMBER 12T402, TYPE NO. 1613-F8

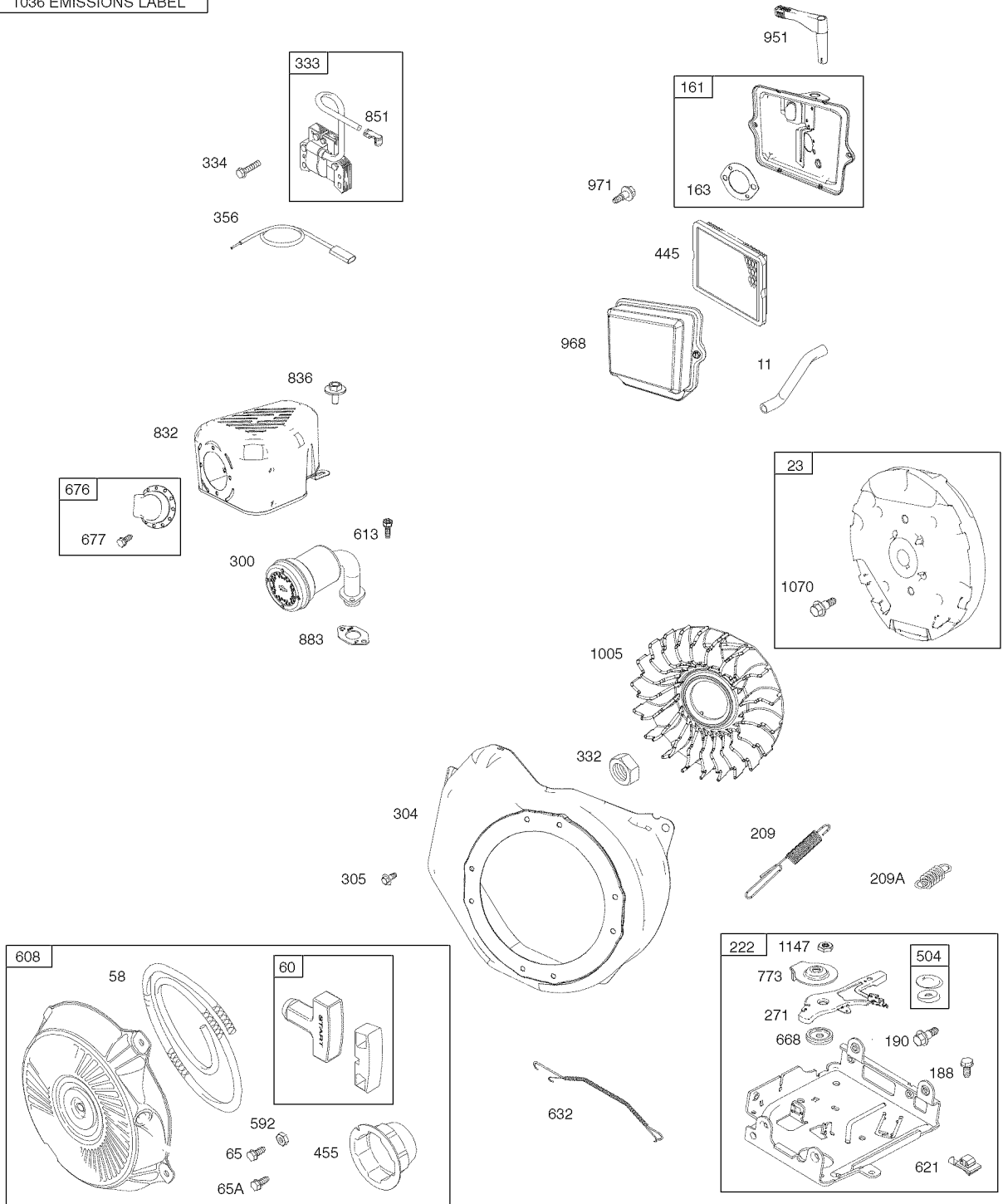


CRAFTSMAN TILLER - - MODEL NUMBER 917.986940
ENGINE, BRIGGS & STRATTON -- MODEL NUMBER 12T402, TYPE NO. 1613-F8

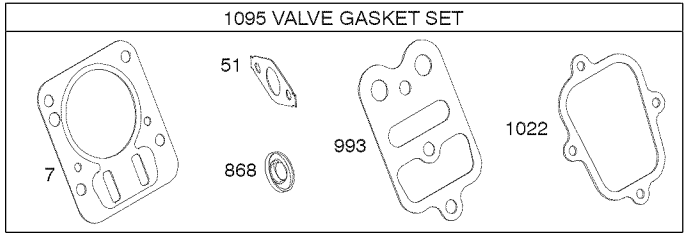
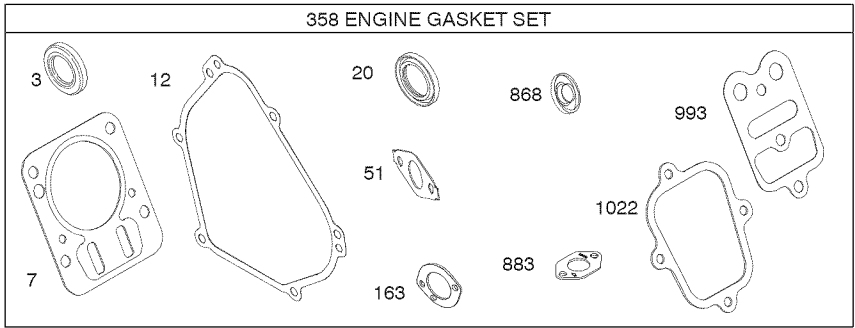
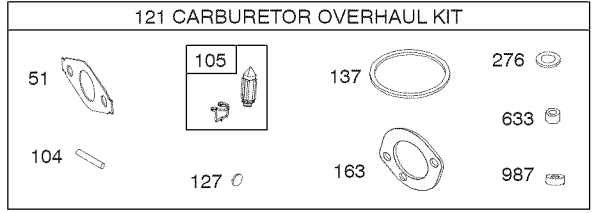


CRAFTSMAN TILLER - - MODEL NUMBER 917.986940
ENGINE, BRIGGS & STRATTON -- MODEL NUMBER 12T402, TYPE NO. 1613-F8

1036 EMISSIONS LABEL



CRAFTSMAN TILLER - - MODEL NUMBER 917.986940
ENGINE, BRIGGS & STRATTON -- MODEL NUMBER 12T402, TYPE NO. 1613-F8



CRAFTSMAN TILLER - - MODEL NUMBER 917.986940
ENGINE, BRIGGS & STRATTON -- MODEL NUMBER 12T402, TYPE NO. 1613-F8

KEY NO.	PART NO.	DESCRIPTION	KEY NO.	PART NO.	DESCRIPTION
1	699510	Cylinder Assembly	125	591299	Carburetor
2	796961	Kit-Bushing/Seal (Magneto Side)	127	797633	Plug-Welch
3	299819s	Seal-Oil (Magneto Side)	130	797630	Valve-Throttle
5	797439	Head-Cylinder	133	797136	Float-Carburetor
7	698210	Gasket-Cylinder Head	137	797625	Gasket-Float Bowl
11	790632	Tube-Breather	146	690979	Key-Timing
12	699485	Gasket-Crankcase	155	797442	Plate-Cylinder Head
13	699482	Screw (Cylinder Head)	161	790631	Base-Air Cleaner
15	691686	Plug-Oil Drain	163	696024	Gasket-Air Cleaner
15A	691682	Plug-Oil Drain	187	791867	Line-Fuel (Formed)
16	797070	Crankshaft	187A	791766	Line-Fuel (Cut to required length)
18	699696	Cover-Crankshaft	188	699479	Screw (Control Bracket)
20	692550	Seal-Oil (PTO Side)	190	699220	Screw (Fuel Tank)
21	281658s	Cap-Oil Fill	192	797440	Adjustor-Rocker Arm
22	699478	Screw (Crankcase Cover/Sump)	209	692571	Spring-Governor (#3 Hole)
23	699488	Flywheel	209A	691278	Spring-Governor (Idle Speed Adjust) (Platinum)
24	796335	Key-Flywheel (Steel)	219	693578	Gear-Governor
	222698s	Key-Flywheel (Aluminum)	220	691724	Washer (Governor Gear)
25	795429	Piston Assembly (Standard Size)	222	793107	Bracket-Control
	795430	Piston Assembly (.020" Oversize)	227	794367	Lever-Governor Control
26	791969	Ring Set (Standard Size)	238	691300	Valve-Cap
	793001	Ring Set (.020" Oversize)	271	694256	Lever-Control (Control Bracket)
27	691866	Lock-Piston Pin	276	797632	Washer-Sealing
28	499423	Pin-Piston	300	693593	Muffler
29	798813	Rod-Connecting	304	699598	Housing-Blower
32	797437	Screw (Connecting Rod) (M6 x 31mm)	305	699481	Screw (Blower Housing)
33	499642	Valve-Exhaust	306	795334	Shield-Cylinder
34	795443	Valve-Intake	307	699483	Screw (Cylinder Shield)
35	691304	Spring-Valve (Intake)	332	792723	Nut (Flywheel)
36	691304	Spring-Valve (Exhaust)	333	796964	Armature-Magneto
40	692194	Retainer-Valve	334	699477	Screw (Magneto Armature)
45	690977	Tappet-Valve	337	491055s	Plug-Spark
46	693404	Camshaft	356	692390	Wire-Stop
48	- - -	Short Block	358	791797	Gasket Set-Engine
51	692555	Gasket-Intake	365	699484	Screw (Carburetor) (M6 x 35.5mm)
58	693389	Rope-Starter	415	693463	Plug
60	490652	Grip-Starter Rope	445	491588s	Filter-Air Cleaner Cartridge
65	690837	Screw (Rewind Starter) (#10-32 x .37)	455	591302	Cup-Flywheel
65A	699228	Screw (Rewind Starter) (M5 x 6.35mm)	504	695383	Washer Set-Friction (Control Bracket)
95	691636	Screw (Throttle Valve)	505	691251	Nut (Governor Control Lever)
97	797628	Shaft-Throttle	552	692346	Bushing-Governor Crank
98	797156	Kit-Idle Speed	562	691119	Bolt (Governor Control Lever)
104	797622	Pin-Float Hinge	592	690800	Nut (Rewind Starter)
105	797139	Valve-Float Needle	601	791850	Clamp-Hose (Green)
108	692567	Valve-Choke	608	591301	Starter-Rewind
109	790624	Shaft-Choke	613	699209	Screw (Muffler)
117	591298	Jet-Main (Standard)			(M6 x 20mm)
121	797634	Kit-Carburetor Overhaul	615	692576	Retainer-Governor Shaft
122	795643	Spacer-Carburetor	616	692547	Crank-Governor

CRAFTSMAN TILLER - - MODEL NUMBER 917.986940
ENGINE, BRIGGS & STRATTON -- MODEL NUMBER 12T402, TYPE NO. 1613-F8

KEY NO.	PART NO.	DESCRIPTION	KEY NO.	PART NO.	DESCRIPTION
619	699230	Screw (Cylinder Head Plate)	958	698180	Valve-Fuel Shut Off
621	692310	Switch-Stop	968	791082	Cover-Air Cleaner
632	693408	Spring/Link (Mechanical Governor)	971	798649	Screw (Air Cleaner Base to Carburetor) (M5x12mm)
633	693867	Seal-Choke/Throttle Shaft (Choke Shaft)	972	799863	Tank-Fuel
635	692076	Boot-Spark Plug	975	797631	Bowl-Float
668	694257	Spacer (Control Bracket)	987	797629	Seal-Throttle Shaft
676	796956	Deflector-Muffler	993	694088	Gasket (Cylinder Head Plate)
677	699203	Screw (Muffler Deflector)	1005	794273	Fan-Flywheel
692	797624	Spring-Detent	1022	691890	Gasket-Rocker Cover
718	690959	Pin-Locating	1023	499924	Cover-Rocker
741	695087	Gear-Timing	1026	790287	Rod-Push
742	692564	Retainer-E Ring	1029	797443	Arm-Rocker
746	790278	Gear-Idler	1034	691343	Guide-Push Rod
773	694258	Retainer (Control Bracket)	1036	- - -	Label-Emissions (Available from any Briggs & Stratton Authorized Dealer)
830	797441	Stud-Rocker Arm			
832	693583	Guard-Muffler	1058	277040	Operator's Manual
836	699632	Screw (Muffler Guard) (M6 x 14mm)	1070	699201	Screw (Flywheel Fan)
851	493880s	Terminal-Spark Plug	1095	791798	Gasket Set-Valve
868	795440	Seal-Valve	1147	798458	Nut (Control Bracket)
869	691155	Seal-Valve	1329	- - -	Replacement Engine
883	691893	Gasket-Exhaust	1330	272147	Repair Manual
914	699481	Screw (Rocker Cover) (M6 x 15.88mm)			Carburetor Overhaul Kit Key No. 121
914A	692557	Screw (Rocker Cover) (M6 x 9.53mm)			Engine Gasket Set Key No. 358
951	790630	Lever-Choke			Valve Gasket Set Key No. 1095
957	799719	Cap-Fuel Tank			