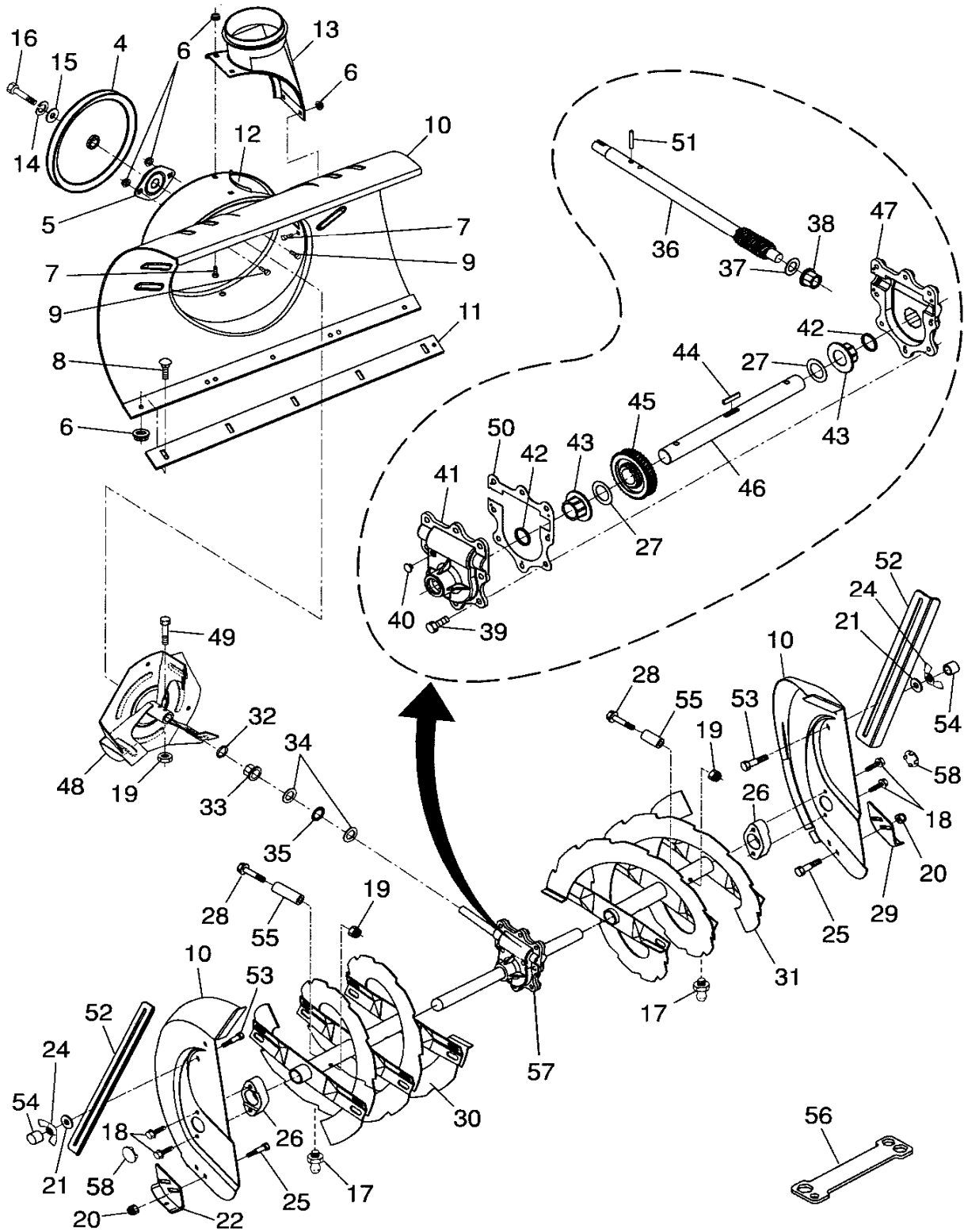


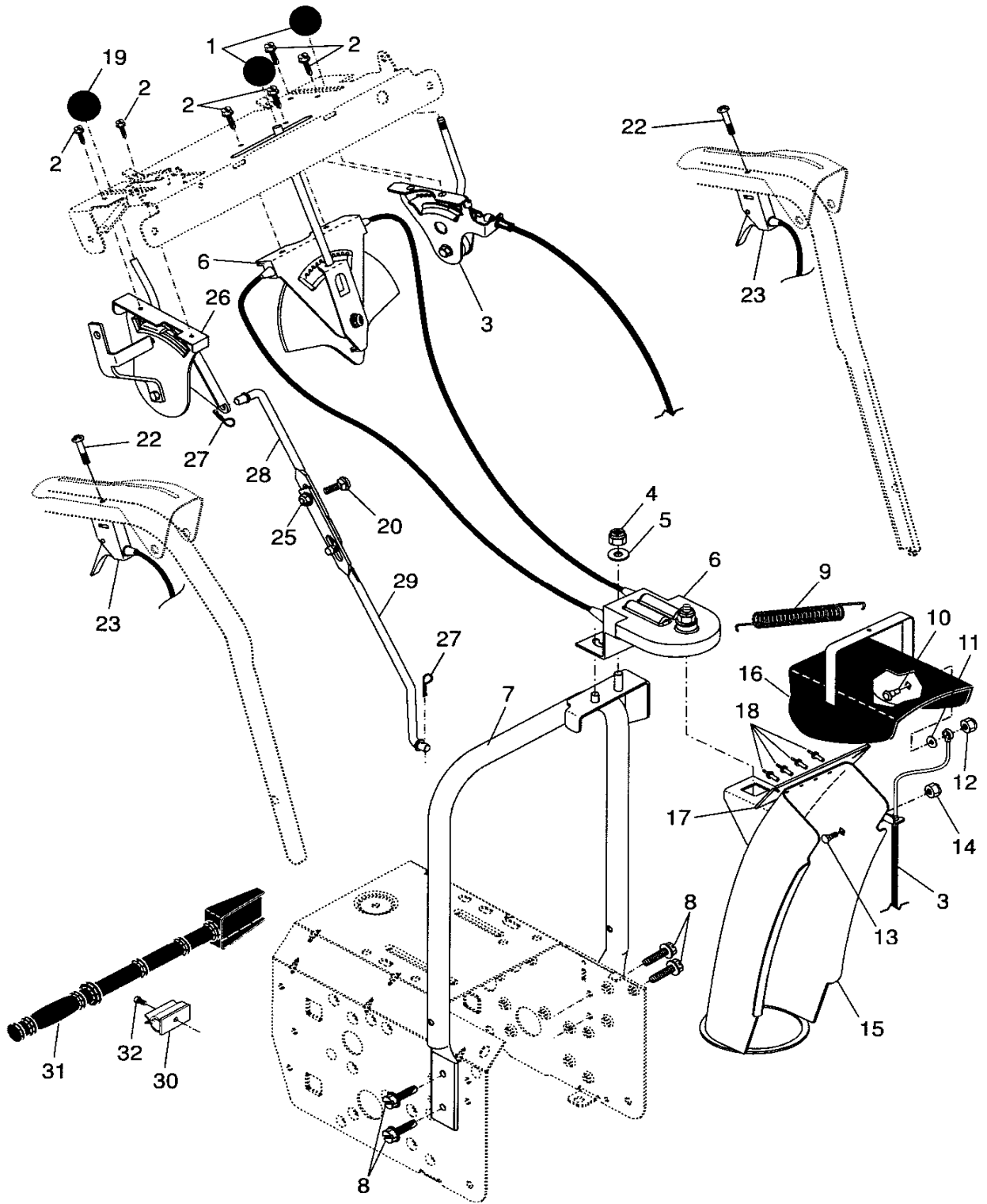
CRAFTSMAN
SNOW THROWER
Model# 917885530



10/07

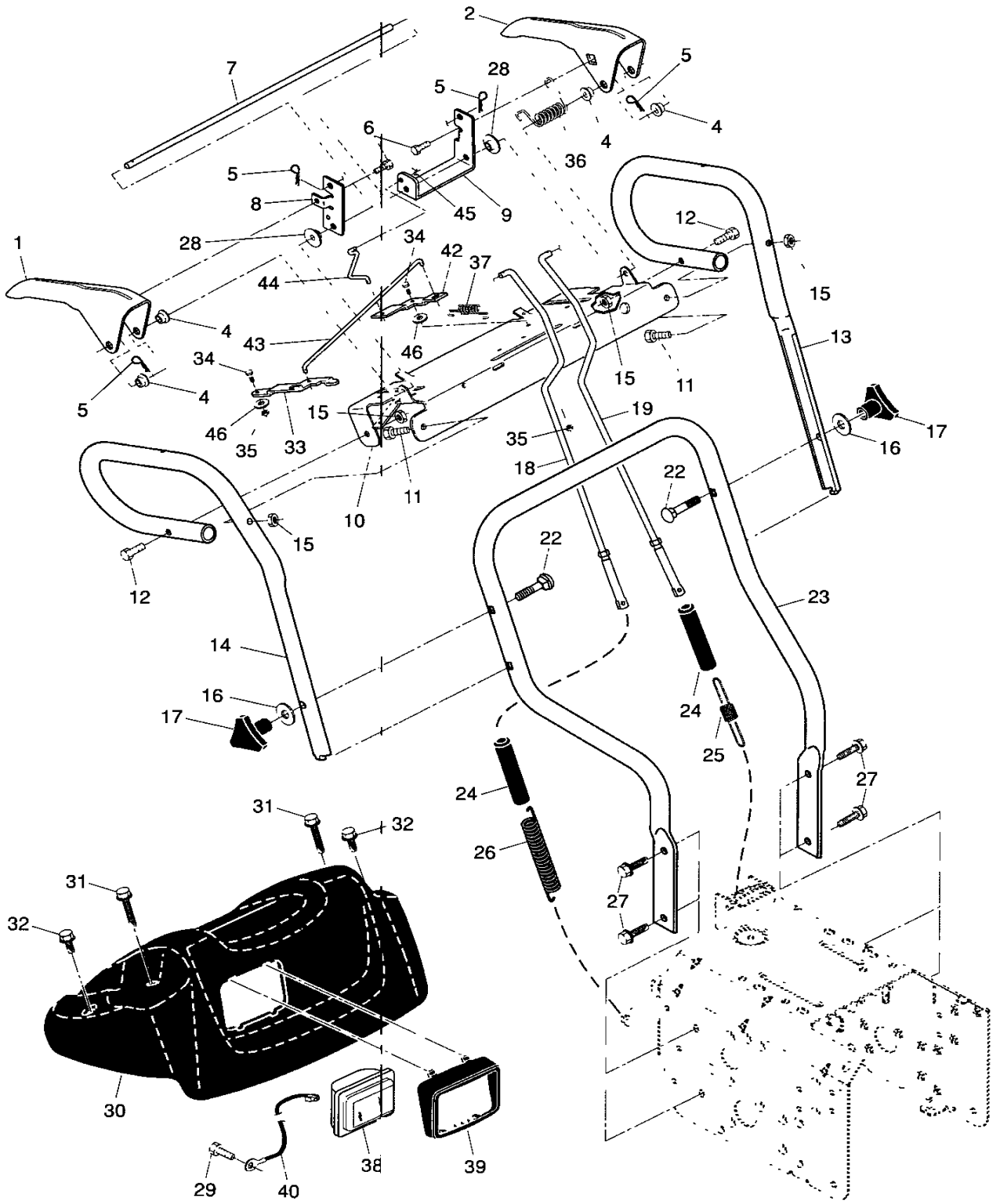
AUGER

| # | Part # | Description |
|--------------|------------|---|
| 4 | 191079 | Pulley, impeller |
| 5 | 188909 | Bearing assembly, flange |
| 6 | 155377 | Nut, hex flange 5/16-18 |
| 7 | 180355 | Bolt, flat head, carriage 5/16-18 x 5/8 |
| 8 | STD533106 | Bolt, carriage 5/16-18 x 5/8 |
| 9 | 163183 | Bolt, hex head |
| 10 | 404930X615 | Housing, auger |
| 11 | 404933X428 | Bar, scraper |
| 12 | 178675X008 | Bracket, corner discharge |
| 13 | 175322 | Base, discharge chute |
| 14 | STD551131 | Washer, lock 5/16 |
| 15 | 19111507 | Washer, flat |
| 16 | 74940516 | Screw, hex head 5/16-18 x 3/4 |
| 17 | 405637 | Grease fitting |
| 18 | 179582 | Screw, hex head 5/16 x 1 |
| 19 | 73800400 | Nut, hex lock 1/4-20 |
| 20 | 155377 | Nut, hex lock 5/16-18 |
| 21 | 401347 | Washer, flat 5/16 |
| 22 | 178777X479 | Skid plate, rh |
| 24 | 128636 | Nut, wing |
| 25 | 72270506 | Bolt, carriage 5/16-18 x 3/4 |
| 26 | 174658 | Bearing, auger |
| 27 | 174697 | Washer, thrust, 1" |
| 28 | 192090 | Bolt, shear |
| 29 | 174762X479 | Skid plate, lh |
| 30 | 405973X479 | Auger assembly, rh |
| 31 | 405972X479 | Auger assembly, lh |
| 32 | 407768 | O-ring |
| 33 | 407769 | Bushing, flange 3/4 |
| 34 | 174681 | Washer, thrust 3/4 |
| 35 | 174684 | Bearing, thrust 3/4 |
| 36 | 407757 | Shaft, impeller |
| 37 | 174683 | Washer, thrust 5/8 |
| 38 | 407758 | Bushing, flange 5/8 |
| 39 | 407767 | Screw, hex head 5/16-18 x 3/4 |
| 40 | 407760 | Plug, case |
| 41 | 407761 | Housing, gearbox, rh |
| 42 | 407770 | Seal, oil |
| 43 | 407762 | Bushing, flange, 1" |
| 44 | 189282 | Key, square 1/4 x 1/4 x 7/8 |
| 45 | 174659 | Gear, worm |
| 46 | 407764 | Shaft, auger |
| 47 | 407765 | Housing, gearbox, lh |
| 48 | 175321X428 | Impeller assembly |
| 49 | 74780426 | Screw, hex head 1/4-20 x 1-5/8 |
| 50 | 175311 | Gasket, gearbox |
| 51 | 7836M | Pin, roll 3/16 x 1-1/8 |
| 52 | 181160X479 | Bar, drift cutter |
| 53 | 72270506 | Bolt, carriage |
| 54 | 198709 | Stop |
| 55 | 198638 | Spacer |
| 56 | 180684 | Multi-wrench |
| 57 | 196710 | Gearbox assembly |
| 58 | 411939 | Plug, bearing hole |
| Not In Diagr | 415547 | Repair parts manual, english |
| Not In Diagr | 415543 | Operator's manual, scandinavian |
| Not In Diagr | 415540 | Operator's manual, european |



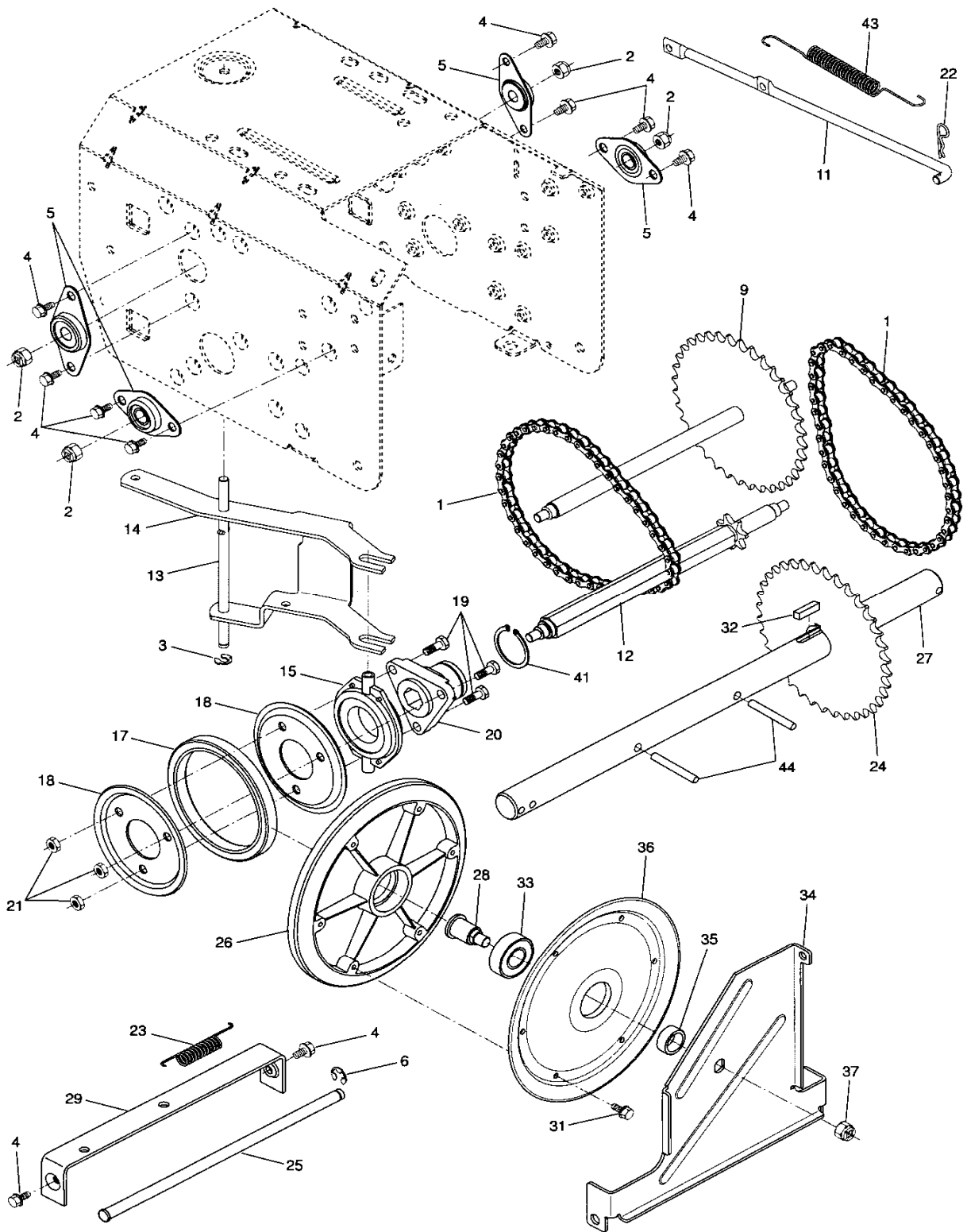
CONTROL PANEL/DISCHARGE CHUTE

| # | Part # | Description |
|--------------|------------|----------------------------------|
| 1 | 414280 | Knob, lever |
| 2 | 17501010 | Screw #10-24 x 5/8 |
| 3 | 198475 | Control assembly, deflector |
| 4 | STD541437 | Nut, lock 3/8-16 |
| 5 | STD551037 | Washer, flat 3/8 |
| 6 | 404974 | Control assembly, chute rotater |
| 7 | 405784X479 | Support, pivot |
| 8 | 150078 | Screw, hex head 5/16-18 x 3/4 |
| 9 | 184505 | Spring, deflector |
| 10 | 179829 | Bolt, shoulder |
| 11 | 179246 | Washer, nylon, friction |
| 12 | 191730 | Nut, lock 1/4-20 |
| 13 | STD533106 | Bolt, carriage 5/16-18 x 5/8 |
| 14 | 166785 | Nut, lock 5/16-18 |
| 15 | 404770X615 | Chute assembly |
| 16 | 178633X615 | Deflector assembly |
| 17 | 179145 | Seal, deflector |
| 18 | 128415 | Rivet, blind |
| 19 | 414281 | Knob, speed control lever |
| 20 | 72270506 | Bolt, carriage 5/16-18 x 3/4 |
| 22 | 74041024 | Screw #10-24 x 1-1/2 |
| 23 | 198476 | Control assembly, power steering |
| 25 | 155377 | Nut, lock 5/16-18 |
| 26 | 198474 | Lever assembly, speed control |
| 27 | 169675 | Retainer, hairpin |
| 28 | 180445 | Rod, upper, speed contrl |
| 29 | 187716 | Rod, lower, speed control |
| 30 | 405400 | Clip, clean-out tool |
| 31 | 192199 | Tool, clean-out |
| 32 | 194189 | Screw |
| Not In Diagr | 415547 | Repair parts manual, english |
| Not In Diagr | 415543 | Operator's manual, scandinavian |
| Not In Diagr | 415540 | Operator's manual, european |



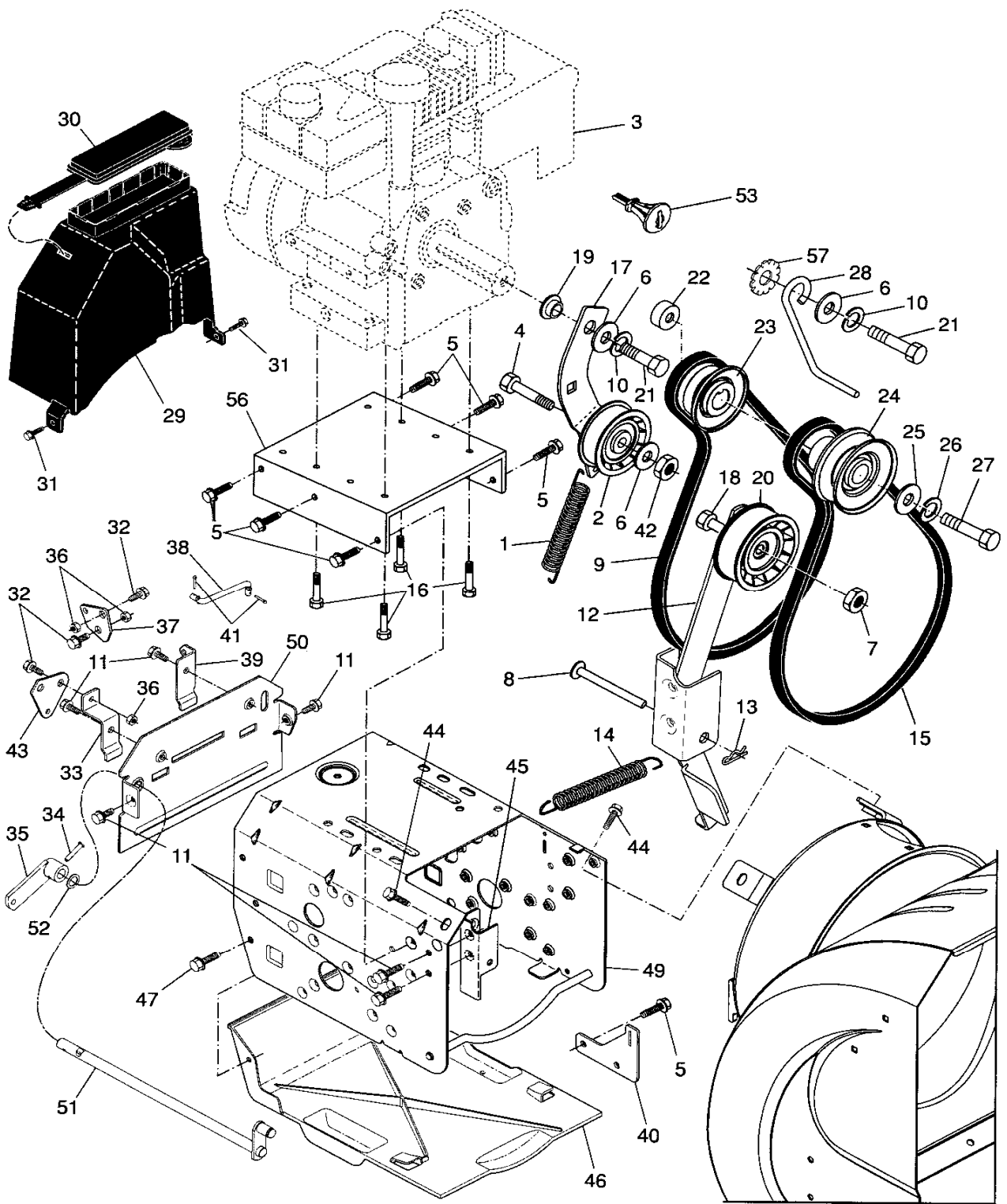
HANDLES

| # | Part # | Description |
|--------------|------------|---|
| 1 | 405783X479 | Lever, auger control, rh |
| 2 | 405999X479 | Lever, traction drive control, lh |
| 4 | 178888 | Bushing, flange |
| 5 | 169675 | Retainer, hairpin |
| 6 | 17060408 | Screw, hex head 1/4-20 x 1/2 |
| 7 | 178652 | Rod, interlock |
| 8 | 196333X008 | Arm, impeller rod |
| 9 | 196334X008 | Arm, traction rod |
| 10 | 196619X479 | Panel, control |
| 11 | STD523115 | Screw, hex head 5/16-18 x 1-1/2 |
| 12 | 74780528 | Screw, hex head 5/16-18 x 1-3/4 |
| 13 | 414519X479 | Handle tube, lh |
| 14 | 414518X479 | Handle tube, rh |
| 15 | 166785 | Nut, lock 5/16-18 |
| 16 | STD551037 | Washer, flat 3/8 |
| 17 | 178899 | Knob, handle |
| 18 | 180480 | Rod, auger control |
| 19 | 405740 | Rod, traction control |
| 22 | 72120618 | Bolt, carriage 3/8-16 x 2-1/4 |
| 23 | 401940X479 | Handle tube, lower |
| 24 | 180447 | Sleeve, spring |
| 25 | 180926 | Spring, traction drive |
| 26 | 178669 | Spring, auger control |
| 27 | 17000616 | Screw, hex head 3/8-16 x 1 |
| 28 | 412680 | Bushing, pivot |
| 29 | 193072 | Screw, ground wire, headlight to blower housing |
| 30 | 182906 | Console, panel |
| 31 | 175262 | Screw, hex head, tapping #10-24 x 1-1/4 |
| 32 | 184471 | Screw, hex head, tapping #10-24 x 1/2 |
| 33 | 196335X008 | Latch, interlock |
| 34 | 401369 | Bolt, shoulder |
| 35 | STD541425 | Nut, lock 1/4-20 |
| 36 | 178831 | Spring, torsion, lever |
| 37 | 193885 | Spring, interlock |
| 38 | 178666 | Headlight, halogen (includes bulb) |
| 38A | 401620 | Bulb, halogen |
| 39 | 178668 | Bezel, headlight |
| 40 | 180964 | Harness, headlight (halogen) |
| 42 | 196336X008 | Lever, interlock |
| 43 | 199638 | Rod, latch, interlock |
| 44 | 196338 | Rod, arm, interlock |
| 45 | 700279 | Clip |
| 46 | 57079 | Washer, friction |
| Not In Diagr | 415547 | Repair parts manual, english |
| Not In Diagr | 415543 | Operator's manual, scandinavian |
| Not In Diagr | 415540 | Operator's manual, european |



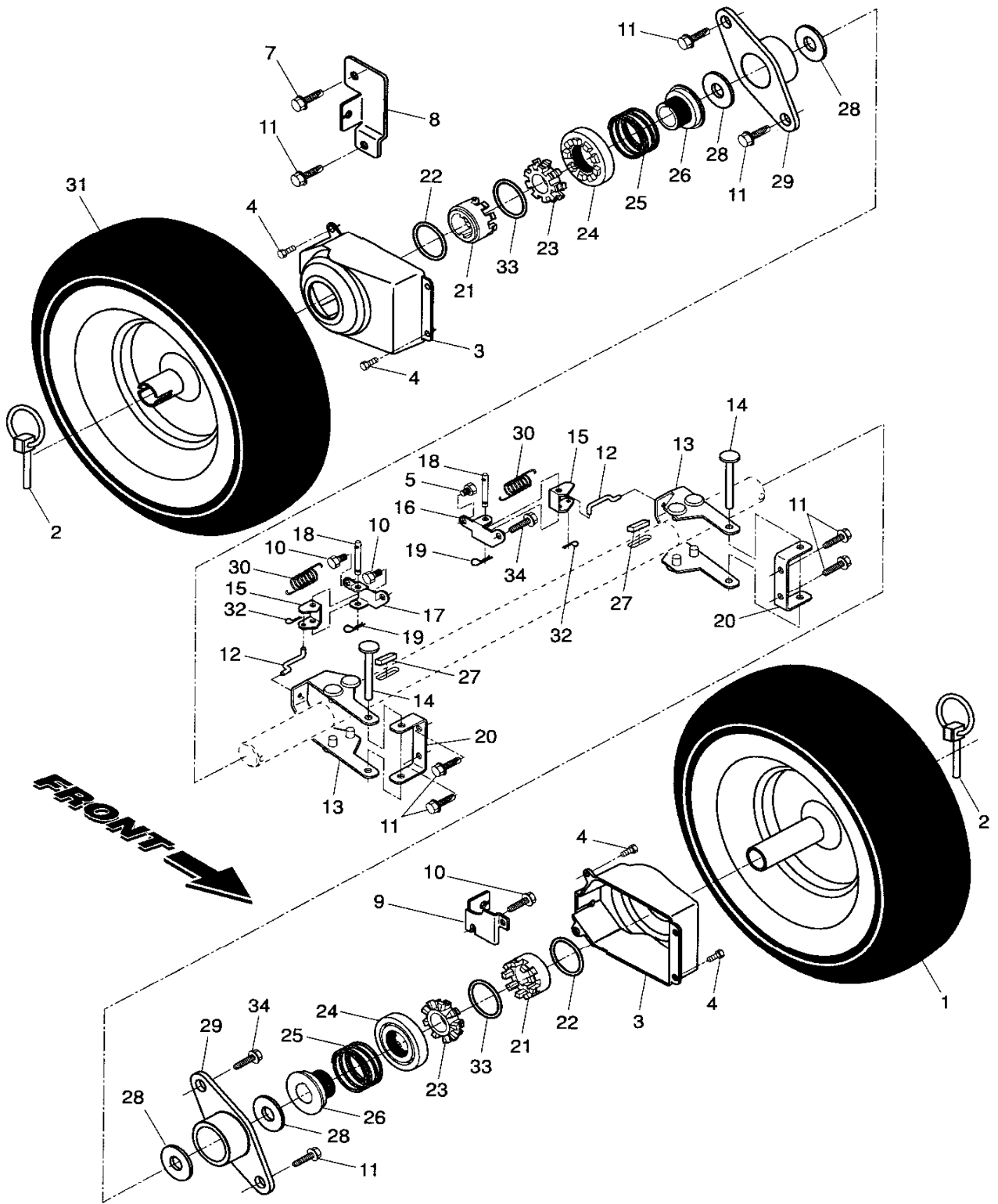
DRIVE

| # | Part # | Description |
|--------------|------------|---------------------------------|
| 1 | 401619 | Chain, drive |
| 2 | 166785 | Nut, lock 5/16-18 |
| 3 | 402882 | Clip, retainer |
| 4 | 17490508 | Bolt, hex head 5/16-18 x 1/2 |
| 5 | 408981 | Bearing, flange |
| 6 | 12000007 | E-ring, retainer |
| 9 | 402855 | Sprocket & shaft assembly |
| 11 | 402568 | Rod, clutch |
| 12 | 402187 | Shaft, hex |
| 13 | 402310 | Pivot rod, shifter |
| 14 | 401732X479 | Yoke, shifter |
| 15 | 175344 | Trunnion bearing assembly |
| 17 | 178613 | Hub, rubber wheel |
| 18 | 198176X479 | Plate, rubber wheel |
| 19 | 74760514 | Screw, hex head 5/16-18 x 7/8 |
| 20 | 179831 | Ring, rubber wheel |
| 21 | 73930500 | Nut, lock 5/16-18 |
| 22 | 169675 | Retainer, hairpin |
| 23 | 180135 | Spring, bias |
| 24 | 402691 | Sprocket, axle shaft |
| 25 | 402652 | Pivot rod, swing plate |
| 26 | 401820 | Plate, drive |
| 27 | 404307 | Axle shaft assembly |
| 28 | 402504 | Shaft, friction pulley |
| 29 | 401984X479 | Bracket, shifter, speed |
| 31 | 175410008 | Screw, cap head |
| 32 | 189282 | Key, square |
| 33 | 198791 | Bearing, ball |
| 34 | 402394 | Plate, swing |
| 35 | 402511 | Spacer, bearing |
| 36 | 402393 | Pulley, friction |
| 37 | 409148 | Nut, lock 5/16-18 |
| 41 | 12000012 | Ring, retaining |
| 43 | 402878 | Spring, return |
| 44 | 9465M | Pin, roll |
| Not In Diagr | 415547 | Repair parts manual, english |
| Not In Diagr | 415543 | Operator's manual, scandinavian |
| Not In Diagr | 415540 | Operator's manual, european |



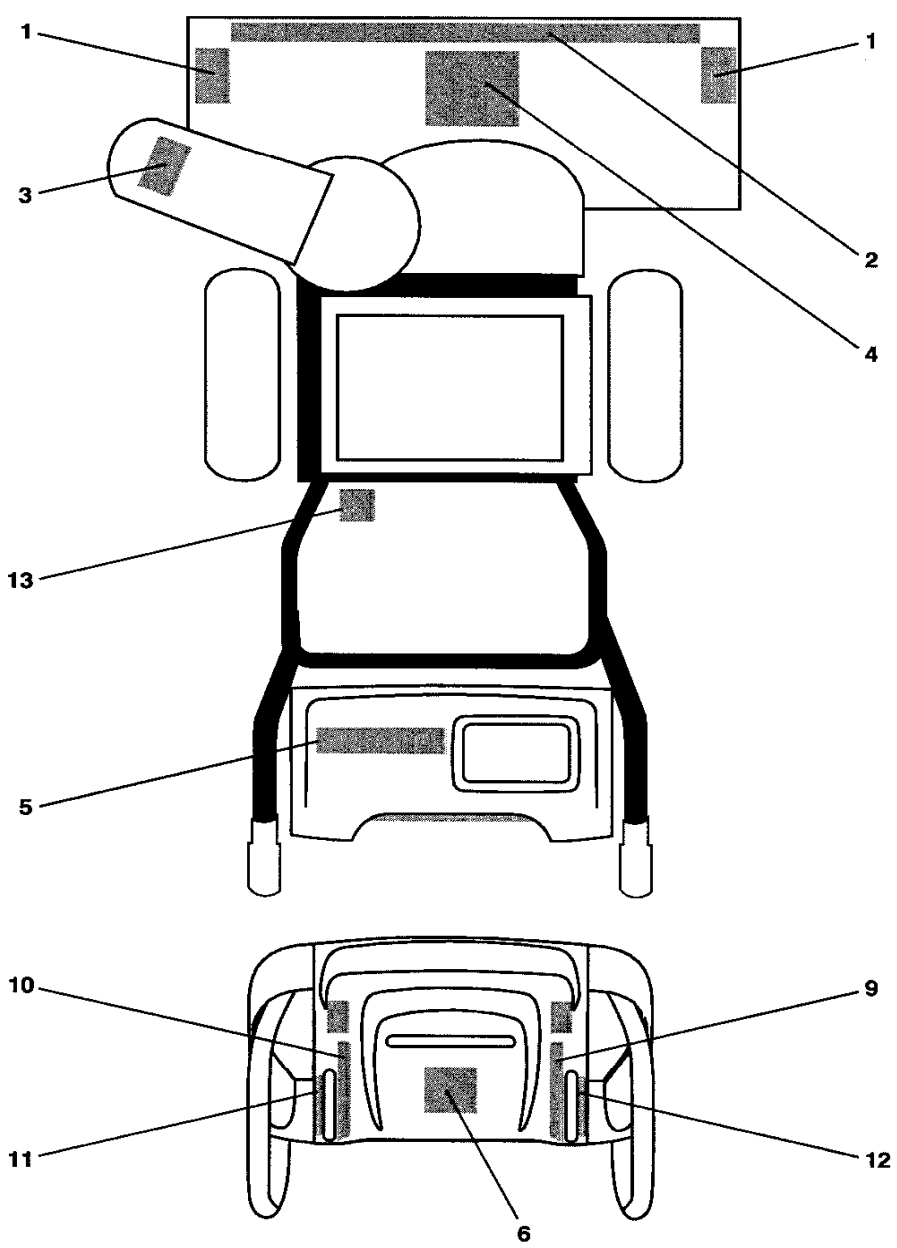
CHASSIS/ENGINE/PULLEYS

| # | Part # | Description |
|--------------|------------|--|
| 1 | 414557 | Spring, traction idler |
| 2 | 180522 | Pulley, idler (2-1/4) |
| 3 | N/P | Engine, briggs & stratton, model number 21m114-0923-e1 |
| 4 | STD523112 | Screw, hex head 5/16-18 x 1-1/4 |
| 5 | 150078 | Screw |
| 6 | 59289 | Washer, flat |
| 7 | 166785 | Nut, jam, lock 5/16-18 |
| 8 | 175330 | Pin, idler pivot |
| 9 | 416954 | V-belt, traction drive |
| 10 | STD551131 | Washer, lock 5/16 |
| 11 | 17490508 | Screw, hex washer head 5/16-18 x 1/2 |
| 12 | 410420 | Impeller arm assembly |
| 13 | 85179 | Retainer, hairpin |
| 14 | 178828 | Spring, brake |
| 15 | 408007 | V-belt, impeller drive |
| 16 | 150406 | Screw, hex head 3/8-16 x 1-1/4 |
| 17 | 187786X008 | Arm, idler |
| 18 | STD523115 | Screw, hex head 5/16-18 x 1-1/2 |
| 19 | 175331 | Bushing, idler pivot |
| 20 | 180523 | Pulley, idler (2-3/4) |
| 21 | 74610516 | Screw, hex head 5/16-24 x 1 |
| 22 | 409475 | Spacer, engine pulley |
| 23 | 180478 | Pulley, engine, traction drive |
| 24 | 179157 | Pulley, engine, impeller drive |
| 25 | 400026 | Washer, flat 3/8 |
| 26 | 850263 | Washer, lock 3/8 |
| 27 | 851084 | Screw, hex head 3/8-24 x 1-3/8 |
| 28 | 155452 | Guide, belt |
| 29 | 192213 | Belt cover assembly (includes toolbox cover) |
| 30 | 178830 | Cover, toolbox |
| 31 | STD512505 | Screw, hex head 1/4-20 x 1/2 |
| 32 | 402881 | Bolt, shoulder 5/16-18 |
| 33 | 403096X004 | Bellcrank shifter |
| 34 | 198580 | Clevis pin |
| 35 | 405485 | Arm, auger control |
| 36 | 191730 | Locknut, hex |
| 37 | 402856X004 | Plate, clutch |
| 38 | 187101 | Link, speed control |
| 39 | 416717X004 | Bracket, clutch |
| 40 | 413429X479 | Bracket, traction |
| 41 | 700279 | Hairpin, cotter 3/32 x 1/2 |
| 42 | 73930500 | Locknut, hex |
| 43 | 403097X004 | Plate, shifter |
| 44 | 17000616 | Screw, hex head |
| 45 | 184789 | Pivot bracket, impeller idler arm |
| 46 | 410877 | Pan, frame bottom |
| 47 | 184471 | Screw |
| 49 | 409346X615 | Frame assembly |
| 50 | 402685X615 | Plate, frame end |
| 51 | 406109 | Shaft, auger control |
| 52 | 57079 | Washer, hardened |
| 53 | 193071 | Key, safety |
| 56 | 417015X615 | Mounting plate, engine |
| 57 | 11050500 | Washer, lock, external tooth |
| Not In Diagr | 415547 | Repair parts manual, english |
| Not In Diagr | 415543 | Operator's manual, scandinavian |
| Not In Diagr | 415540 | Operator's manual, european |



WHEELS

| # | Part # | Description |
|--------------|------------|--|
| 1 | 196752X417 | Wheel assembly, 16", with power steering, lh |
| 2 | 155443 | Pin, klik 1/4 |
| 3 | 405161 | Cover, power steering |
| 4 | 184471 | Screw, shoulder, hex head #10-24 x 1/2 |
| 7 | 17060410 | Screw, hex head 3/8-16 x 1 |
| 8 | 410294 | Bracket, steering cable, rh |
| 9 | 410293 | Bracket, steering cable, lh |
| 10 | 17600406 | Screw, cap, hex head 5/16-18 x 3/4 |
| 11 | 17490508 | Screw, hex head 5/16-18 x 1/2 |
| 12 | 405077 | Link, steering lever |
| 13 | 193506X479 | Lever assembly, steering |
| 14 | 182015 | Pin, steering lever |
| 15 | 194944X008 | Bellcrank |
| 16 | 194939X008 | Bracket assembly, lh steering |
| 17 | 194943X008 | Bracket assembly, rh steering |
| 18 | 181847 | Pin, steering bellcrank |
| 19 | 85179 | Retainer, hairpin |
| 20 | 179148X479 | Bracket, lever assembly |
| 21 | 192126 | Driver, wheel |
| 22 | 182466 | Ring, wire retainer |
| 23 | 187622 | Lobe, wheel |
| 24 | 194941 | Slide, clutch |
| 25 | 179139 | Spring, clutch slide |
| 26 | 194940 | Lobe, axle |
| 27 | 189282 | Key, square 1/4 x 1/4 x 7/8 |
| 28 | 174697 | Washer, thrust (1") |
| 29 | 179830 | Bearing, axle |
| 30 | 193885 | Spring, return, steering latch |
| 31 | 196753X417 | Wheel assembly, 16", with power steering, rh |
| 32 | 700279 | Clip, retainer |
| 33 | 12000045 | Ring, retaining |
| 34 | 146315 | Screw, tapping, hex head 5/16-18 x 3/4 |
| Not In Diagr | 415547 | Repair parts manual, english |
| Not In Diagr | 415543 | Operator's manual, scandinavian |
| Not In Diagr | 415540 | Operator's manual, european |



DECALS

| <u>#</u> | Part # | <u>Description</u> |
|--------------|--------|---------------------------------|
| 1 | 199683 | Decal, danger |
| 2 | 414744 | Decal, craftsman 1350 s/76 cm |
| 3 | 199682 | Decal, danger, deflector |
| 4 | 184045 | Decal, danger |
| 5 | 183876 | Decal, craftsman |
| 6 | 184030 | Decal, instruction |
| 9 | 415477 | Decal, speed control |
| 10 | 184031 | Decal, remote deflector |
| 11 | 415459 | Decal, lh trigger |
| 12 | 415460 | Decal, rh trigger |
| Not In Diagr | 415547 | Repair parts manual, english |
| Not In Diagr | 415543 | Operator's manual, scandinavian |
| Not In Diagr | 415540 | Operator's manual, european |