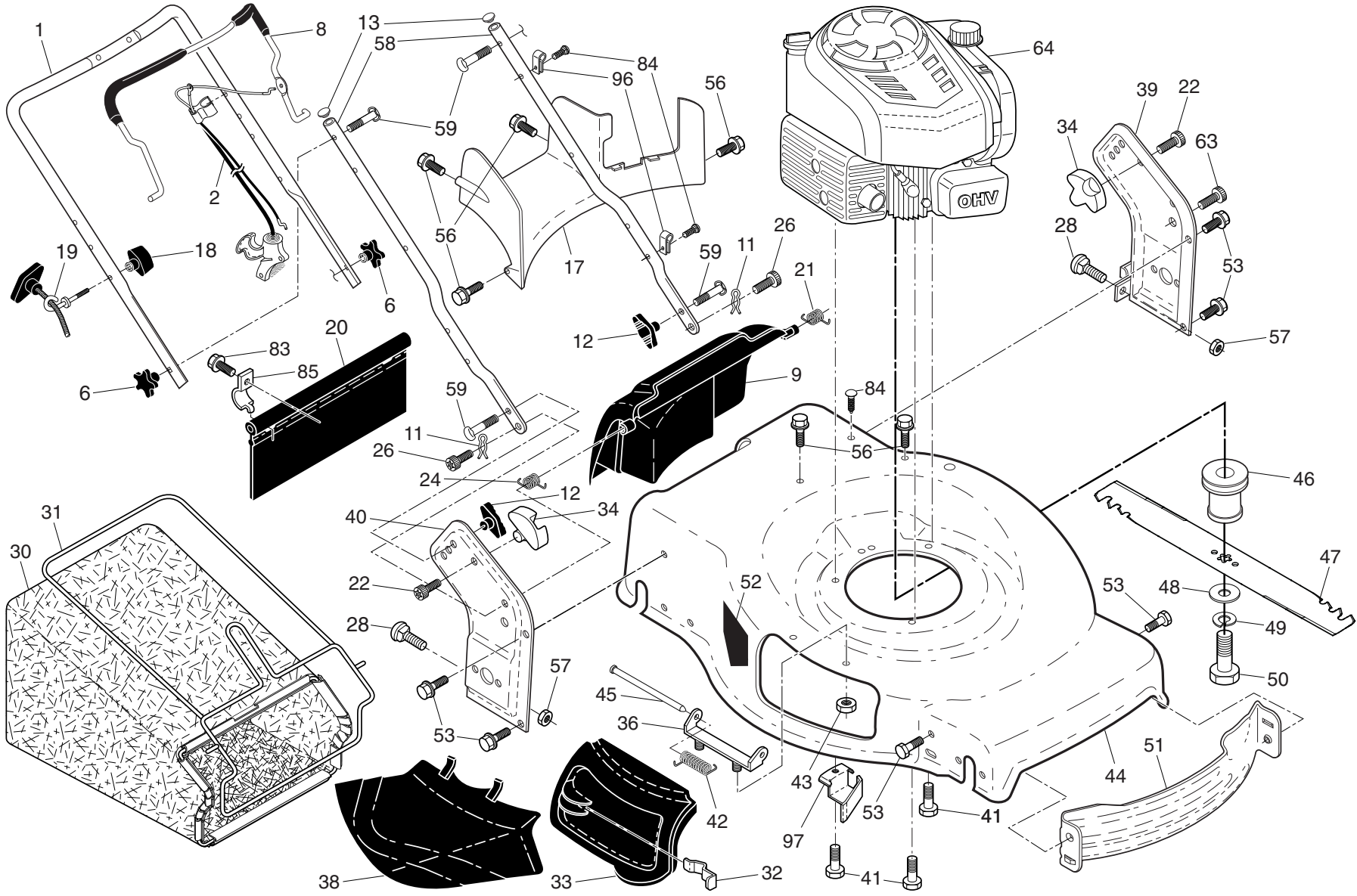


CRAFTSMAN ROTARY LAWN MOWER -- MODEL NUMBER 917.378200



40

REPAIR PARTS

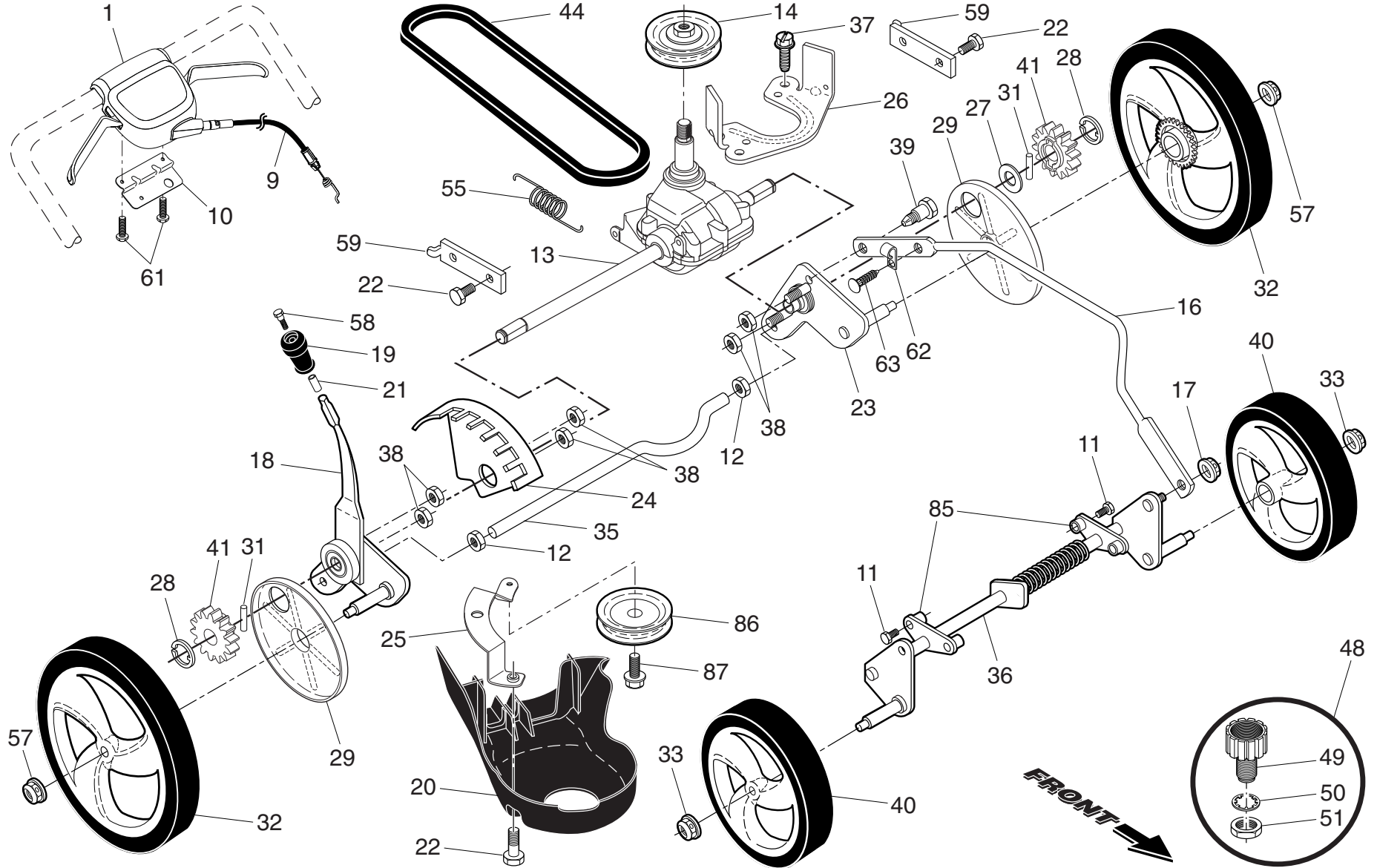
CRAFTSMAN ROTARY LAWN MOWER - - MODEL NUMBER 917.378200

KEY NO.	PART NO.	DESCRIPTION	KEY NO.	PART NO.	DESCRIPTION	KEY NO.	PART NO.	DESCRIPTION
1	585854805	Upper Handle	36	175735	Hinge Bracket Assembly	58	585908202	Lower Handle
2	585650803	Cable, Engine Zone Control / Rear Door Prop	38	419942X428	Discharge Deflector	59	191574	Handle Bolt
6	182398	Handle Knob, Star	39	585900702	Handle Bracket, LH	63	178848	Screw #10-16 x 5/8
8	587689301	Control Bar, Overmolded	40	585900802	Handle Bracket, RH	64	- - -	Engine, Briggs & Stratton, Model Number 104M02-0001-F1 (See Breakdown)
9	585847601	Rear Door Assembly	41	150406	Screw, Dogpoint 3/8-16 x 1-1/8			
11	425575	Hairpin, Door/Handle Pivot	42	193000	Spring, Torsion	83	750097	Screw, Hex Washer Head
12	189713X428	Handle Knob, Standard	43	191730	Nut, Hex, Nylock	84	428124	Fastener, Push
13	437516	Plug, Handle Bar	44	431946	Kit, Lawn Mower Housing	85	429801X004	Mounting Bracket, Rear Skirt
17	581782101	Rear Baffle	45	175650	Rod, Hinge			
18	581912601	T-Knob	46	581851501	Blade Adapter / Pulley	96	197991	Clip, Cable
19	581902101	Rope Guide	47	421825	Blade, 22"	97	581115302	Bracket, Belt Guide
20	444501	Rear Skirt	48	851074	Washer, Hardened	--	423849	Bag of Parts (Includes Key Numbers 6 and 59)
21	419949	Spring, Rear Door, LH, Black	49	850263	Washer, Helical	--	589804003	Owner's Manual, English / Spanish
22	141841	Screw, Panhead, Torx #20	50	851084	Screw, Machine, Hex Head 3/8-24 x 1-3/8 Grade 8			
24	419948	Spring, Rear Door, RH, Grey	51	430599	Front Baffle			
26	419945	Screw, Rear Door/Handle Pivot	52	404763	Decal, Danger			
28	586212501	Bolt, Carriage 5/16-18 x 5/8	53	17000510	Screw, Hex Head 5-16-18			Available accessories not included with mower:
30	580947303	Grassbag	56	17411312	Screw, Hex Washer Head #13 x 3/4	--	71 33623	Gas Can (2.5 Gallon Container)
31	585054703	Frame, Grass Catcher				--	71 33500	Fuel Stabilizer
32	419944X007	Latch, Mulcher Door	57	155377	Nut, Hex	--	71 33000	SAE 30W Oil (20 Ounce Bottle)
33	420019	Mulcher Door						
34	419946X615	Bracket, Grassbag						

NOTE: All component dimensions given in U.S. inches. 1 inch = 25.4 mm.

IMPORTANT: Use only Original Equipment Manufacturer (O.E.M.) replacement parts. Failure to do so could be hazardous, damage your lawn mower and void your warranty.

CRAFTSMAN ROTARY LAWN MOWER -- MODEL NUMBER 917.378200



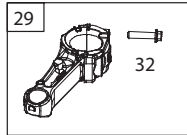
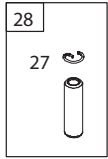
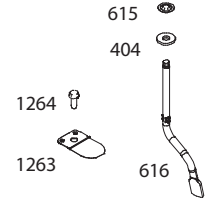
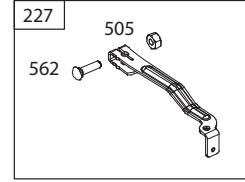
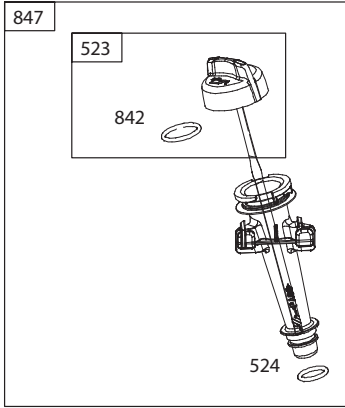
CRAFTSMAN ROTARY LAWN MOWER - - MODEL NUMBER 917.378200

KEY NO.	PART NO.	DESCRIPTION	KEY NO.	PART NO.	DESCRIPTION
1	501408103	Drive Control Assembly (Includes Cable)	32	585437304	Wheel & Tire Assembly, Rear, 11"
9	581952101	Cable, Drive	33	409148	Nut, Flangelock 3/8-16
10	587249302	Mounting Bracket, Drive Control	35	430598	Axle, Rear
11	17411312	Screw	36	441833X004	Axle, Front
12	73940800	Nut, Hex	37	163409	Screw, Hi-Lo Thread, 12 x 5/8
13	581680801	Gearcase Assembly, Complete	38	191730	Nut, Hex
14	586963001	Pulley, Drive	39	407059	Bolt
16	428782X428	Rod, Connecting	40	400246X460	Wheel & Tire Assembly, Front, 8"
17	751153	Nut, Hex	41	428783	Pinion
18	586691701	Kit, Selector Assembly	44	580364604	Belt, Drive
19	430697X615	Knob, Wheel Adjuster	48	421114	Kit, Water Washout Assembly
20	580806901	Debris Shield	49	419735	Fitting, Water Washout
21	435242	Anchor	50	415585	Washer, Lock, Internal Tooth
22	17000510	Screw, Hex Head 5/16-18	51	415586	Locknut, Hex, with O-Ring
23	585281901	Wheel Axle Assembly, LH	55	581351301	Spring, Tension
24	433511	Bracket, Height Adjustment	57	409149	Locknut, Hex, Flanged
25	581313802	Mounting Bracket, Debris Shield	58	435241	Bolt, Shoulder
26	589318302	Belt Keeper	59	441786X004	Support Bracket
27	19171216	Washer, Flat	61	181698	Screw
28	12000058	E-Ring 7/16	62	197991	Clip, Cable
29	585270701	Cover, Dust, Wheel	63	428124	Fastener, Push
31	404845	Pawl, Drive	85	439077	Support Bracket, Front Axle
			86	587969201	Pulley, Idler
			87	581127601	Screw

NOTE: All component dimensions given in U.S. inches. 1 inch = 25.4 mm.

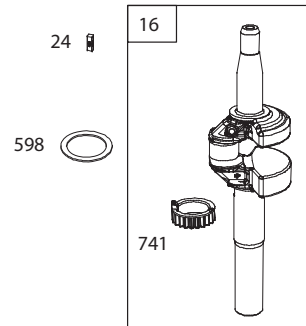
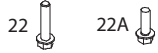
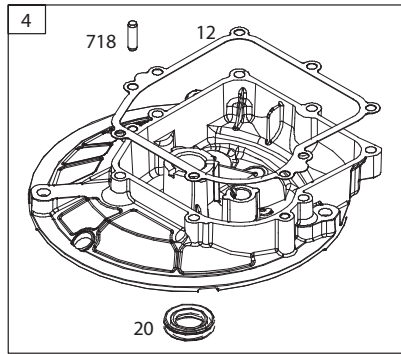
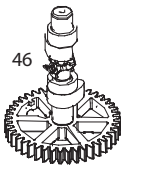
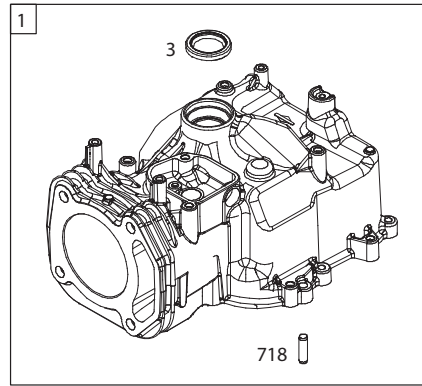
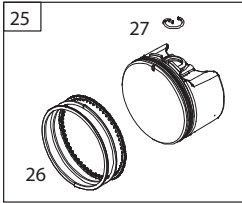
IMPORTANT: Use only Original Equipment Manufacturer (O.E.M.) replacement parts. Failure to do so could be hazardous, damage your lawn mower and void your warranty.

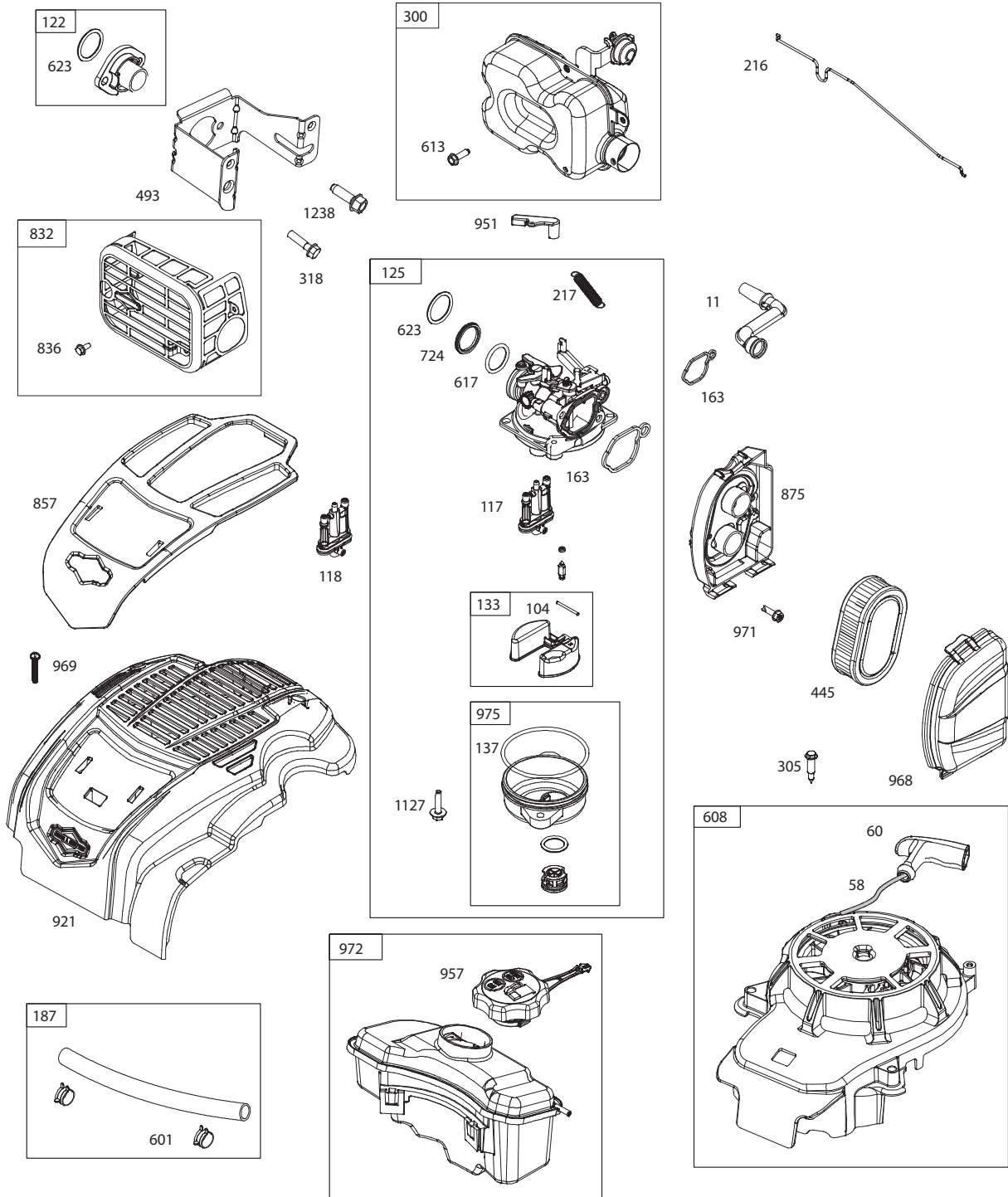
48 1036 1058

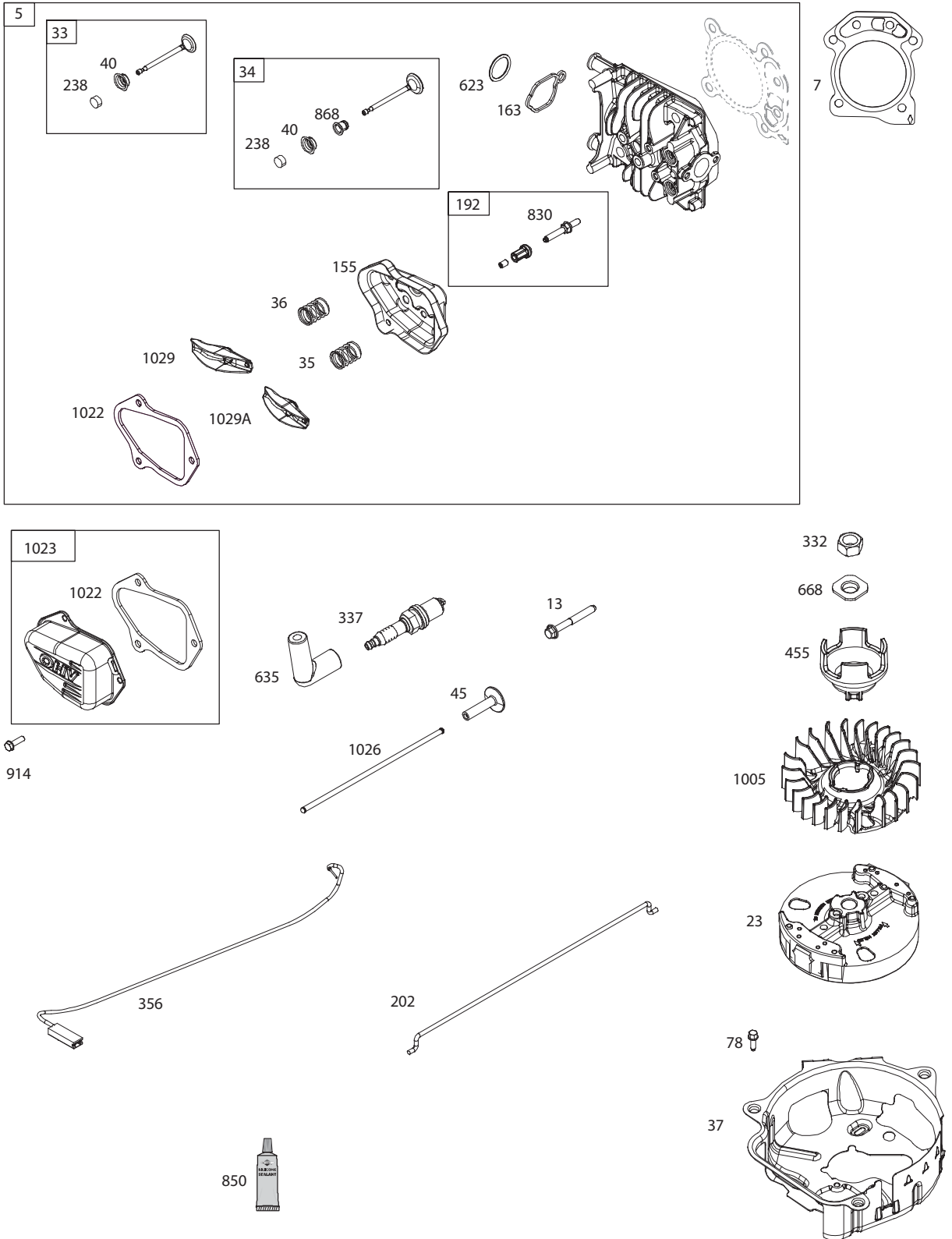


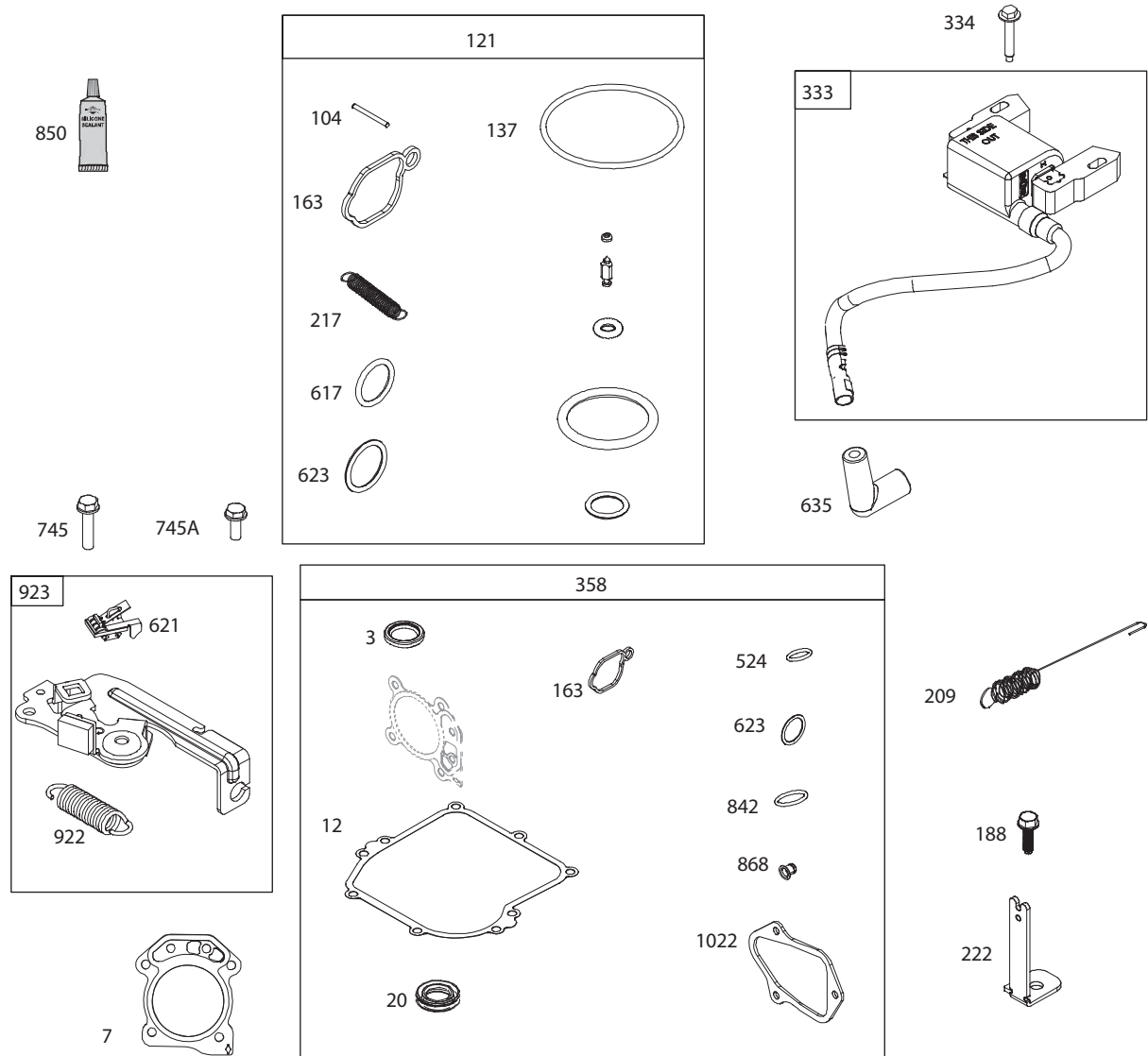
1329

1330









Engine Power Rating Information

The gross power rating for individual gas engine models is labeled in accordance with SAE (Society of Automotive Engineers) code J1940 (Small Engine Power & Torque Rating Procedure), and rating performance has been obtained and corrected in accordance with SAE J1995 (Revision 2002-05). Torque values are derived at 3060 RPM; horsepower values are derived at 3600 RPM. Actual gross engine power will be lower and is affected by, among other things, ambient operating conditions and engine-to-engine variability. Given both the wide array of products on which engines are placed and the variety of environmental issues applicable to operating the equipment, the gas engine will not develop the rated gross power when used in a given piece of power equipment (actual "on-site" or net power). This difference is due to a variety of factors including, but not limited to, accessories (air cleaner, exhaust, charging, cooling, carburetor, fuel pump, etc.), application limitations, ambient operating conditions (temperature, humidity, altitude), and engine-to-engine variability. Due to manufacturing and capacity limitations, Briggs & Stratton may substitute an engine of higher rated power for this Series engine.

KEY NO.	PART NO.	DESCRIPTION	KEY NO.	PART NO.	DESCRIPTION
1	594100	Cylinder Assembly	117	594060	Jet-Main (Standard)
3	299819s	Seal-Oil (Magneto Side)	118	594063	Jet-Main (High Altitude) (5000 > 9000 Feet)
4	594101	Sump-Engine			
5	594091	Head-Cylinder	121	590589	Kit-Carburetor Overhaul
7	592358	Gasket-Cylinder Head	122	590549	Spacer-Carburetor
11	590522	Tube-Breather	125	594058	Carburetor
12	799587	Gasket-Crankcase	133	591120	Float-Carburetor
13	590512	Screw (Cylinder Head)	137	593235	Gasket-Float Bowl
16	594104	Crankshaft	155	594093	Plate-Cylinder Head
20	399781s	Seal-Oil (PTO Side)	163	799580	Gasket-Air Cleaner
22	692551	Screw (Crankcase Cover / Sump) (1/4-20x1.19)	187	791766	Line-Fuel (Cut to Required Length)
22A	590673	Screw (Crankcase Cover / Sump) (1/4-20x.78)	188	793480	Screw (Control Bracket)
23	594054	Flywheel	192	590535	Adjuster-Rocker Arm
24	222698s	Key-Flywheel (Aluminum)	202	590517	Link-Mechanical Governor
25	594099	Piston Assembly (Standard)	209	590541	Spring-Governor (Purple)
26	594098	Ring Set (Standard)	216	590547	Link-Choke
27	691588	Lock-Piston Pin	217	590740	Spring-Choke Return
28	298909	Pin-Piston	222	590560	Bracket-Control
29	594089	Rod-Connecting	227	590520	Lever-Governor Control
32	691664	Screw (Connecting Rod)	238	594097	Cap-Valve
33	594095	Valve-Exhaust	300	594108	Muffler
34	594094	Valve-Intake	305	590586	Screw (Blower Housing)
35	590532	Spring-Valve (Intake)	318	793480	Screw (Mounting Bracket) (M5 x 14.1mm)
36	590532	Spring-Valve (Exhaust)	332	690662	Nut (Flywheel)
37	594103	Guard-Flywheel	333	799934	Armature-Magneto
40	594092	Retainer-Valve	334	691061	Screw (Magneto Armature)
43	697799	Slinger-Governor/Oil	337	491055s	Plug-Spark
45	590514	Tappet-Valve	356	692390	Wire-Stop
46	594090	Camshaft	358	594114	Gasket Set-Engine
48	N/A	Short Block (Not Available at this Printing)	404	690272	Washer (Governor Crank)
58	591108	Rope-Starter	445	593260	Filter-Air Cleaner Cartridge
60	281434s	Grip-Starter Rope	455	593960	Cup-Flywheel
78	793480	Screw (Flywheel Guard)	493	593330	Bracket-Mounting (Carburetor)
104	590558	Pin-Float Hinge	505	793515	Nut (Governor Control Lever)

KEY NO.	PART NO.	DESCRIPTION	KEY NO.	PART NO.	DESCRIPTION
523	796503	Dipstick	68	594106	Cover-Air Cleaner
524	691876	Seal-Dipstick Tube	971	590552	Screw (Air Cleaner Base to Carburetor) (M4.2 x 14mm)
562	793514	Screw (Governor Control Lever)	972	594112	Tank-Fuel
598	592587	Shim-End Play (Crankshaft or Camshaft Bearing)	975	591492	Bowl-Float
601	791850	Clamp-Hose (Green)	1005	594102	Fan-Flywheel
608	594062	Starter-Rewind	1022	594088	Gasket-Rocker Cover
613	590562	Screw (Muffler)	1023	594087	Cover-Rocker
615	690340	Retainer-Governor Shaft	1026	590515	Rod-Push (Intake and Exhaust)
616	590516	Crank-Governor	1029	590526	Arm-Rocker (Exhaust)
617	270344s	Seal-O Ring (Intake Manifold)	1029A	590527	Arm-Rocker (Intake)
621	692310	Switch-Stop	1036	- - -	Label-Emissions (Available from any Briggs & Stratton Authorized Dealer)
623	799581	Seal-O Ring (Carburetor Spacer)	1058	N/A	Operator's Manual (Not Available at this Printing)
635	692076	Boot-Spark Plug	1127	590554	Screw (Float Bowl to Carburetor Body)
668	590546	Spacer (Flywheel)	1238	590562	Screw (Carburetor Spacer) (M5 x 17.6mm)
718	690959	Pin-Locating	1263	697124	Reed-Breather
724	697478	Retainer-Seal	1264	793453	Screw (Breather Reed)
741	594105	Gear-Timing	1329	N/A	Replacement Engine (Not Available at this Printing)
745	691146	Screw (Brake) (#10-32x.86)	1330	N/A	Repair Manual (Not Available at this Printing)
745A	690589	Screw (Brake) (#10-32x.5)	- -	398067	Spark Arrester (available accessory)
830	590536	Stud-Rocker Arm	Carburetor Overhaul Kit – Key Number 121		
832	594109	Guard-Muffler	Engine Gasket Set – Key Number 358		
836	690661	Screw (Muffler Guard)	NOTE: All component dimensions given in U.S. inches. 1 inch = 25.4 mm		
842	691031	Seal-O Ring (Dipstick)			
847	594110	Dipstick/Tube Assembly			
850	100106	Sealant-Liquid			
857	594111	Trim-Blower Housing Cover			
868	594096	Seal-Valve			
875	594107	Base-Air Cleaner			
914	591103	Screw (Rocker Cover)			
922	692135	Spring-Brake			
923	691487	Brake			
951	591104	Lever-Choke			
957	594061	Cap-Fuel Tank			