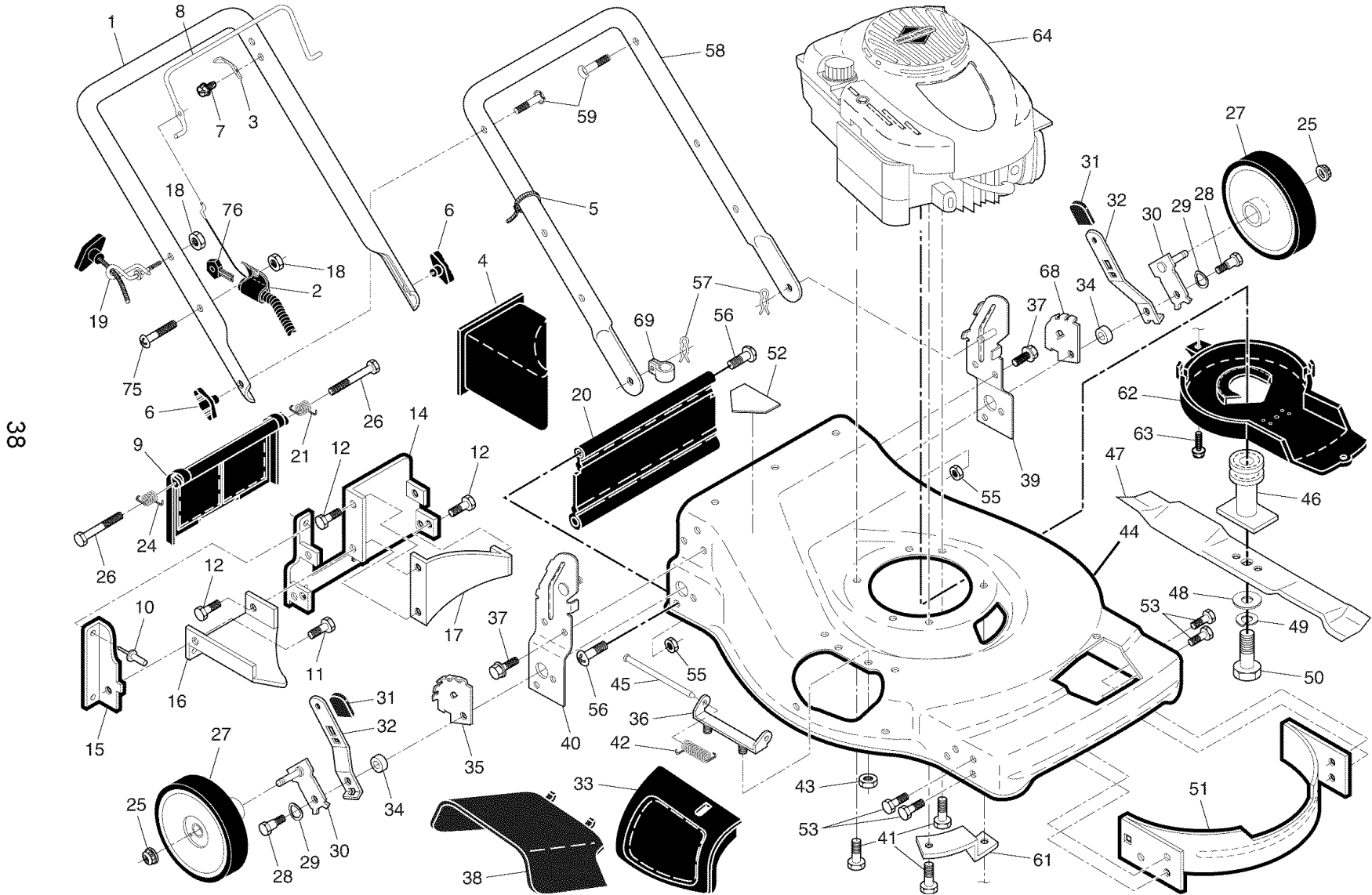


CRAFTSMAN ROTARY LAWN MOWER - - MODEL NUMBER 917.376661



REPAIR PARTS

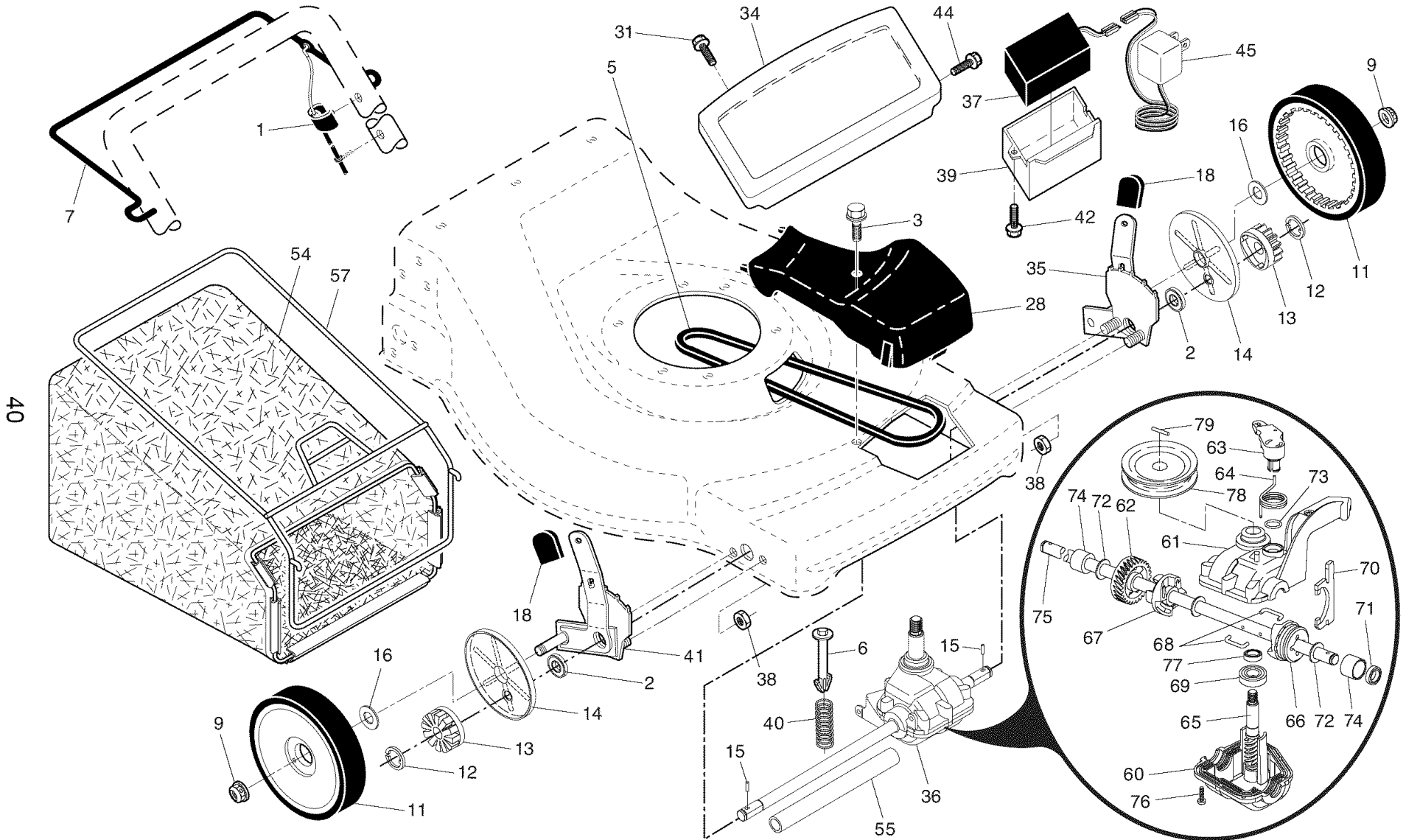
CRAFTSMAN ROTARY LAWN MOWER - - MODEL NUMBER 917.376661

KEY NO.	PART NO.	DESCRIPTION	KEY NO.	PART NO.	DESCRIPTION	KEY NO.	PART NO.	DESCRIPTION
1	194200X479	Upper Handle	29	401630	Washer, Belleville	52	404763	Danger Decal
2	189686	Key Start Switch (Includes 2 Keys)	30	401179X004	Axle Arm Assembly	53	17600406	Screw, Serrated, Type TT 1/4-20
3	850733X004	Bracket, Upstop	31	701037	Selector Knob	55	73930600	Nut, Hex 3/8-16
4	166649	Mulcher Plug	32	401621X004	Selector Spring	56	88652	Hinge Screw 1/4-20 x 1-1/4
5	66426	Wire Tie	33	189917X478	Mulcher Door	57	51793	Hairpin Cotter
6	189713X428	Handle Knob	34	401629	Spacer	58	400512X479	Lower Handle
7	750634	Screw	35	407492X005	Wheel Adjusting Bracket, RH	59	191574	Handle Bolt
8	194199X428	Control Bar	36	175735	Hinge Bracket Assembly	61	188839X004	Mounting Bracket, Debris Shield
9	401813X428	Rear Door Assembly	37	150078	Screw, Sems, Thread Cutting 5/16-18 x 3/4	62	405843	Debris Shield
10	128415	Pop Rivet	38	402574X428	Discharge Deflector	63	192325	Screw, Debris Shield
11	150050	Screw, Self-Tapping #10-24 x 5/8	39	195916X479	Handle Bracket Assembly, LH	64	---	Engine, Briggs & Stratton, Model Number 122T05-3846-EA (See Breakdown)
39	12	54583	12	54583	Screw, Hex Hex Head, Sems 1/4-20 x 1/2	41	150406	Screw, Hex Head, Threaded, Rolled 3/8-16 x 1-1/8
14	195622X479	Back Plate	42	193000	Spring, Torsion	68	407493X005	Wheel Adjusting Bracket, LH
15	410545X479	Side Baffle	43	73800400	Nut, Hex, Nylock	69	197991	Clip, Cable
16	176655X479	Discharge Baffle	44	410284	Kit, Mower Housing (Includes Key Numbers 14, 15 and 51)	75	186159	Screw
17	140661X479	Rear Baffle	45	175650	Rod, Hinge	76	180331	Key
18	132004	Keps Locknut 1/4-20	46	189179	Blade Adapter / Pulley	--	404764	Warning Decal (not shown)
19	194788	Rope Guide	47	406713	Blade, 22"	--	412650	Owner's Manual (English / Spanish)
20	189008	Rear Skirt	48	851074	Washer, Hardened	Available accessories not included with mower:		
21	405421	Spring, Rear Door, LH	49	850263	Washer, Helical	--	71 33623	Gas Can (2.5 Gallon Container)
24	405423	Spring, Rear Door, RH	50	851084	Screw, Machine, Hex Head 3/8-24 x 1-3/8 Grade 8	--	71 33500	Fuel Stabilizer
25	409148	Nut, Hex, Flanged	51	170031	Kit, Front Baffle (Includes Key Number 53)	--	71 33000	SAE 30W Oil (20 Ounce Bottle)
26	184193	Bolt, Rear Door						
27	400246X427	Wheel & Tire Assembly, Rear						
28	142748	Bolt, Shoulder 3/8-16 x 1						

NOTE: All component dimensions given in U.S. inches. 1 inch = 25.4 mm.

IMPORTANT: Use only Original Equipment Manufacturer (O.E.M.) replacement parts. Failure to do so could be hazardous, damage your lawn mower and void your warranty.

CRAFTSMAN ROTARY LAWN MOWER - - MODEL NUMBER 917.376661



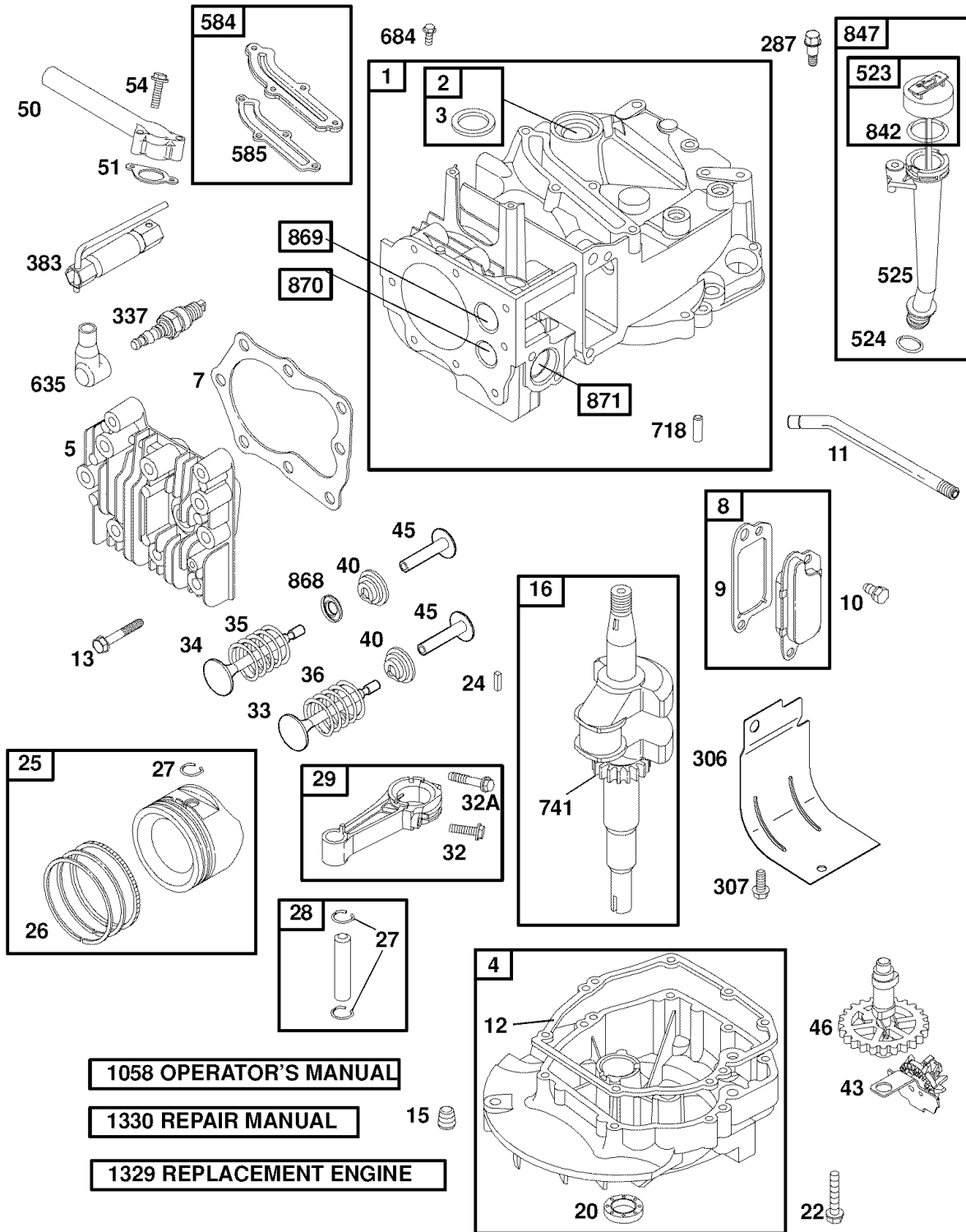
CRAFTSMAN ROTARY LAWN MOWER - - MODEL NUMBER **917.376661**

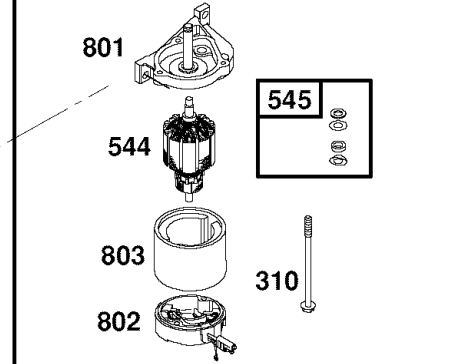
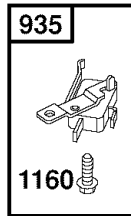
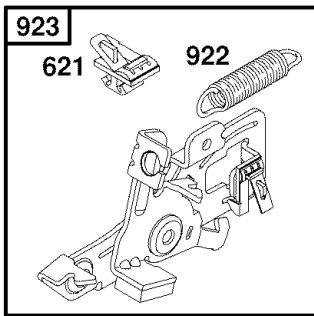
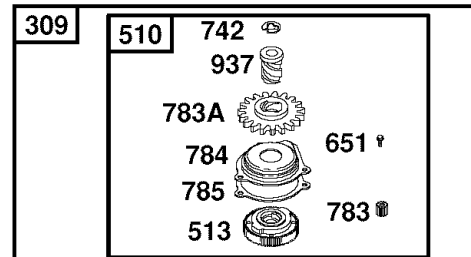
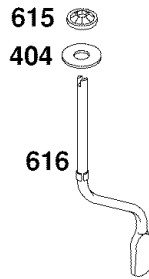
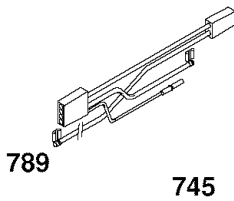
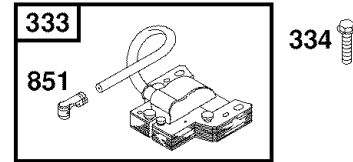
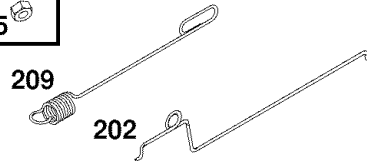
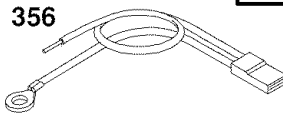
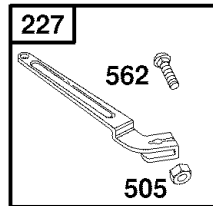
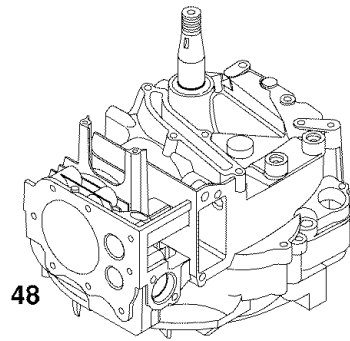
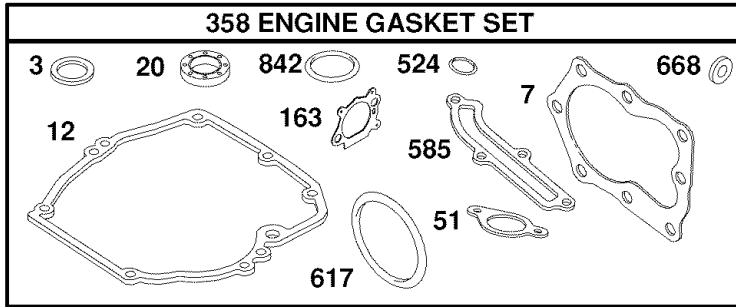
KEY NO.	PART NO.	DESCRIPTION	KEY NO.	PART NO.	DESCRIPTION
1	194653	Drive Control Assembly (Includes Cable)	44	175551	Screw, Trimplate
2	191019	Bearing, Wheel Adjuster	45	190097	Charger, Battery
3	175262	Pan Head Tapping Screw #10-24 x 2-3/4	54	410276	Grassbag Assembly
5	146527	V-Belt	55	86012	Driveshaft Cover
6	150495	Retainer, Spring	57	407454	Frame, Grassbag
7	194185X428	Bar, Drive Control	60	183497	* Case, Lower
9	409148	Locknut, Hex	61	183498	* Case, Upper
11	194231X427	Wheel & Tire Assembly, Front	62	183499	Gear, 27 Teeth
12	12000058	E-Ring	63	183500	Lever, Clutch
13	403849	Pinion	64	183501	Spring, Return
14	189403	Dust Cover	65	183502	Shaft, Input
15	191017	Pawl, Drive	66	183503	Dog, Movable
16	67725	Washer, Flat 3/8	67	183504	Dog, Fixed
18	701037	Selector Knob	68	183505	Wire, Formed
28	401271X428	Drive Cover	69	183506	Bearing, Ball
31	141841	Screw, Trimplate	70	183507	Fork, Shift
34	186153	Trimplate	71	183508	Seal, Output Shaft
37	189589	Battery	72	183509	Washer
39	186237	Battery Box	73	183510	Seal, Case
35	408802	Kit, Wheel Adjuster, LH (Includes Knob and Bearing)	74	183511	Bushing
36	199206	Gear Case Assembly, Complete	75	196561	Shaft, Output
38	73800400	Locknut 1/4-20	76	183513	Screw
40	137090	Spring	77	183514	Seal, Input Shaft
41	408803	Kit, Wheel Adjuster, RH (Includes Knob and Bearing)	78	199852	Pulley, Drive
42	17411308	Screw, Battery Box	79	199419	Pin, Retainer

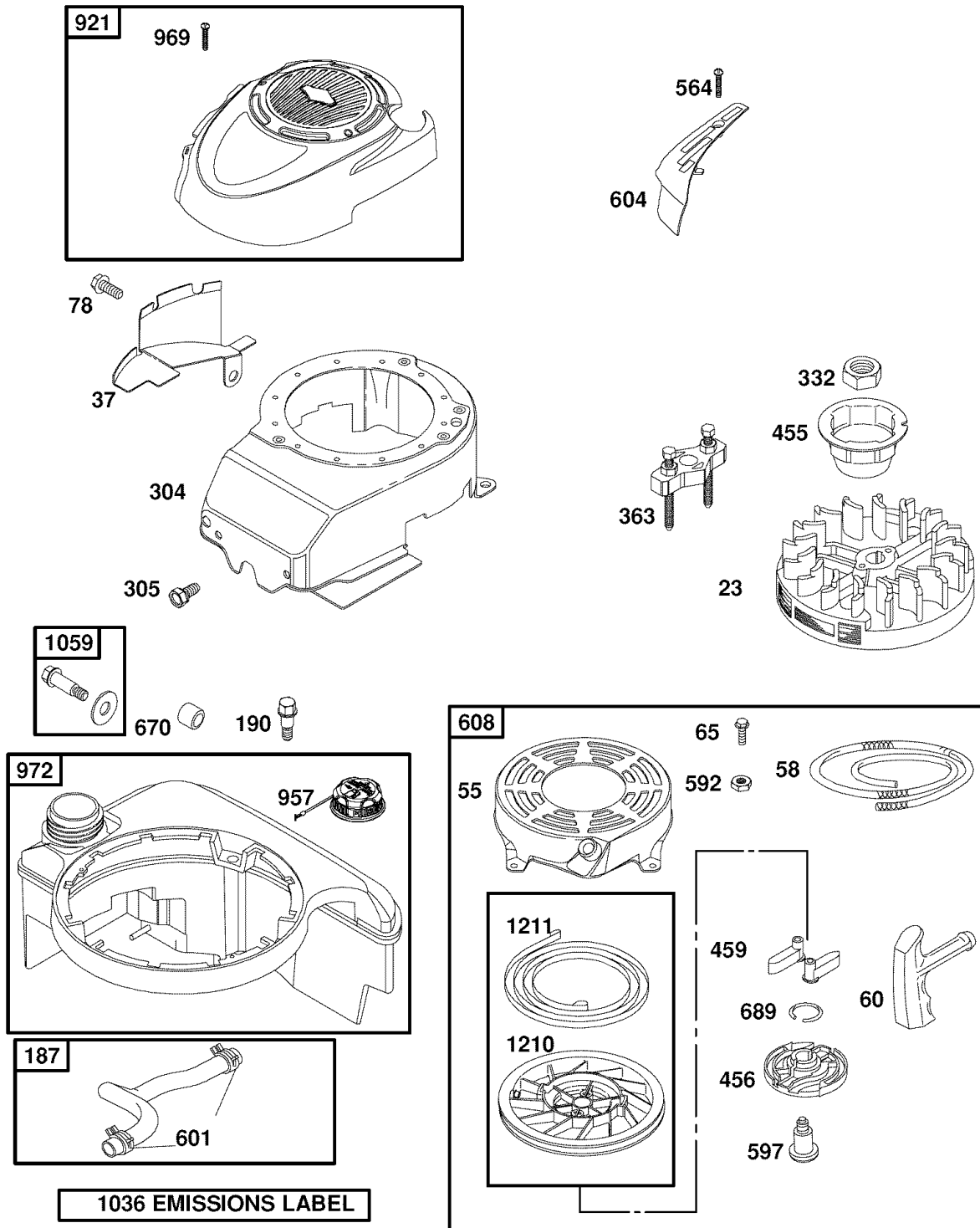
* Use Dow Corning #709 to reseal Gear Case Halves.

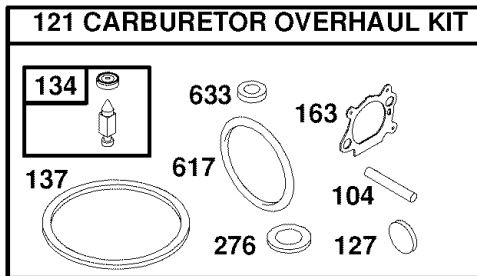
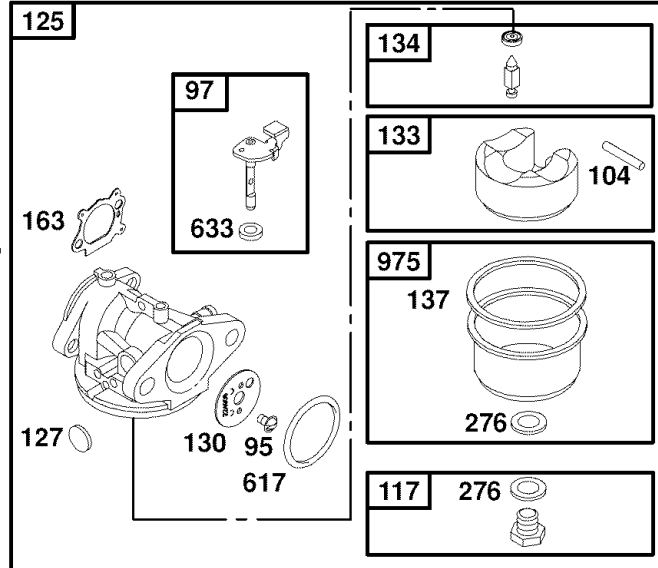
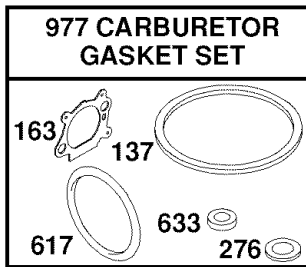
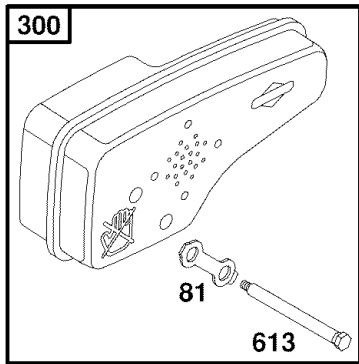
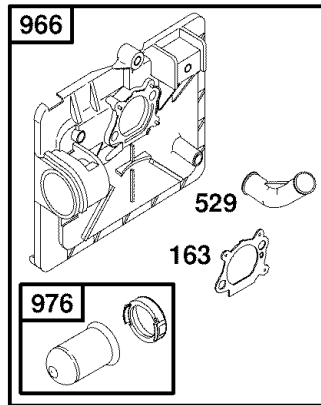
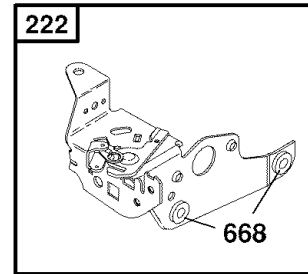
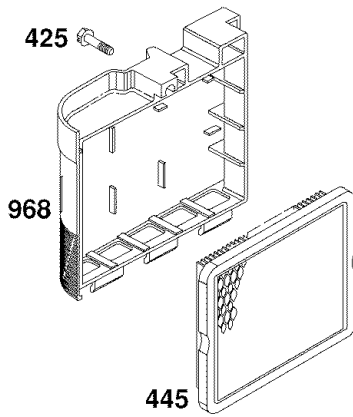
NOTE: All component dimensions given in U.S. inches. 1 inch = 25.4 mm.

IMPORTANT: Use only Original Equipment Manufacturer (O.E.M.) replacement parts. Failure to do so could be hazardous, damage your lawn mower and void your warranty.









KEY PART NO.	KEY PART NO.	DESCRIPTION	KEY PART NO.	KEY PART NO.	DESCRIPTION
1	697322	Cylinder Assembly	81	691740	Lock-Muffler Screw
2	399269	Kit-Bushing/Seal	95	691636	Screw (Throttle Valve)
3	299819s	• Seal-Oil (Magneto Side)	97	696565	Shaft-Throttle
4	493279	Sump-Engine	104	691242	Ø Pin-Float Hinge
5	691160	Head-Cylinder	117	494870	Jet-Main (Standard)
7	692249	• Gasket-Cylinder Head	118	498667	Jet-Main (High Altitude)
8	695250	Breather Assembly	121	498260	Kit-Carburetor Overhaul
9	696125	Gasket-Breather	125	790821	Carburetor
10	691125	Screw (Breather Assembly)	127	694468	Ø Plug-Welch
11	691781	Tube-Breather	130	696564	Valve-Throttle
12	692232	• Gasket-Crankcase	133	398187	Float-Carburetor
13	690912	Screw (Cylinder Head)	134	398188	Ø Valve-Needle/Seat
15	691680	Plug-Oil Drain	137	693981	Ø‡ Gasket-Float Bowl
16	691450	Crankshaft	163	272653s•Ø‡	Gasket-Air Cleaner
20	399781s	• Seal-Oil (PTO Side)	187	791873	Line-Fuel (Molded)
22	691092	Screw (Engine Sump)	188	693399	Screw (Control Bracket)
23	691987	Flywheel	190	690940	Screw (Fuel Tank)
24	222698s	Key-Flywheel	202	691829	Link-Mechanical Governor
25	790359	Piston Assembly (Standard)	209	699056	Spring-Governor
	791326	Piston Assembly (.020" Oversize)	222	791128	Bracket-Control
26	790360	Ring Set (Standard)	227	690783	Control Lever-Governor
	791324	Ring Set (.020" Oversize)	276	271716	Ø‡ Sealing Washer
27	691866	Lock-Piston Pin	287	690940	Screw (Dipstick Tube)
28	499423	Pin-Piston	300	692038	Muffler
29	499424	Rod-Connecting	304	493293	Housing-Blower
32	691664	Screw (Connecting Rod)	305	691108	Screw (Blower Housing)
32A	695759	Screw (Connecting Rod)	306	690450	Shield-Cylinder
33	262651s	Valve-Exhaust	307	690345	Screw (Cylinder Shield)
34	262652s	Valve-Intake	309	695550	Motor-Starter
35	691270	Spring-Valve (Intake)	310	692327	Screw (Starter Motor)
36	691270	Spring-Valve (Exhaust)	455	791960	Cup-Flywheel
37	694086	Guard-Flywheel	332	690662	Nut (Flywheel)
40	692194	Retainer-Valve	333	802574	Armature-Magneto
43	691997	Slinger-Governor/Oil	334	691061	Screw (Armature Magneto)
45	690548	Tappet-Valve	337	802592s	Plug-Spark
46	691449	Camshaft	356	692390	Wire-Stop
48	792741	Short Block	358	497316	Engine Gasket Set
50	497465	Manifold-Intake	363	19069	Flywheel Puller
51	272199s	• Gasket-Intake	365	692524	Screw (Carburetor)
54	691650	Screw (Intake Manifold)	383	89838s	Wrench-Spark Plug
55	691421	Housing-Rewind Starter	404	690272	Washer (Governor Crank)
58	697316	Rope-Starter (Cut to Required Length)	425	690670	Screw (Air Cleaner Cover)
60	281434s	Grip-Starter Rope	443	692523	Screw (Air Cleaner Primer Base)
65	690837	Screw (Rewind Starter)	445	491588s	Filter-Air Cleaner Cartridge
78	691108	Screw (Flywheel Guard)	456	692299	Plate-Pawl Friction
			459	281505s	Pawl-Ratchet

KEY PART NO.	KEY PART NO.	DESCRIPTION	KEY PART NO.	KEY PART NO.	DESCRIPTION
505	691251	Nut (Governor Control Lever)	851	493880s	Terminal-Spark Plug
510	494147	Drive-Starter	868	697338	Seal-Valve
513	692358	Clutch-Drive	869	691155	Seat-Valve (Intake)
523	499621	Dipstick	870	690380	Seat-Valve (Exhaust)
524	692296	• Seal-Dipstick Tube	871	262001	Bushing-Guide (Exhaust)
525	495265	Tube-Dipstick		63709	Bushing-Guide (Intake)
529	691923	Grommet	921	698587	Cover-Blower Housing
544	690786	Armature-Starter	922	691831	Spring-Brake
545	492919	Washer Set	923	691994	Brake
562	691119	Bolt (Governor Control Lever)	935	499421	Switch-Interlock
564	698589	Screw (Control Cover)	937	691325	Spline-Starter
584	697734	Cover-Breather Passage	957	699985	Cap-Fuel Tank
585	691879	• Gasket-Breather Passage	966	792040	Base-Air Cleaner Primer
592	690800	Nut (Rewind Starter)	968	692298	Cover-Air Cleaner
597	691696	Screw (Pawl Friction Plate)	969	690700	Screw (Blower Cover)
601	791850	Clamp-Hose	972	699374	Tank-Fuel
604	698588	Cover-Control	975	493640	Bowl-Float
608	497680	Starter-Rewind	976	496115	Primer-Carburetor
613	691340	Screw (Muffler)	977	498261	Set-Carburetor Gasket
615	690340	Retainer-Governor Shaft	1036	- - -	Label-Emissions (Available from an Authorized Briggs & Stratton Service Dealer)
616	698801	Crank-Governor			
617	270344s	• Ø ‡ Seal-O Ring (Intake Manifold)	1058	MS3260	Operator's Manual
621	692310	Switch-Stop	1059	692311	Kit-Screw/Washer
633	691321	Ø ‡ Seal-Throttle Shaft	1160	691627	Screw (Interlock Switch)
635	66538s	Boot-Spark Plug	1210	498144	Pulley/Spring Assy. (Pulley)
651	690345	Screw (Starter Gear Cover)	1211	498144	Pulley/Spring Assy. (Spring)
668	493823	• Spacer (Includes 2)	1329	126T07-0062	Replacement Engine (Replacement engine listed is not available in the State of California. Repair with individual parts.)
670	692294	Spacer-Fuel Tank			
684	690345	Screw (Breather Passage Cover)	1330	270962	Repair Manual
689	691855	Spring-Friction	- -	398067	Spark Arrester (available accessory)
697	691127	Screw (Drive Cap)			
718	690959	Pin-Locating			
741	790345	Gear-Timing			
742	93941	Retainer-E Ring			
745	691648	Screw (Brake)			• Included in Engine Gasket Set, Key Number 358
783	691269	Gear-Pinion			
783A	691918	Gear-Pinion			
784	692341	Cover-Starter Gear			Ø Included in Carburetor Overhaul Kit, Key Number 121
785	692352	Gasket-Starter Cover			
789	696547	Harness-Wiring			
801	690782	Cap-Drive			‡ Included in Carburetor Gasket Set, Key Number 977
802	695267	Cap-End			
803	695266	Housing-Starter			
842	691031	• Seal-O Ring (Dipstick Tube)			
847	692047	Assembly-Dipstick/Tube			

NOTE: All component dimensions given in U.S. inches. 1 inch = 25.4 mm