

Owner's Manual



ROTARY LAWN MOWER

675 Series Briggs & Stratton Engine

Power-Propelled

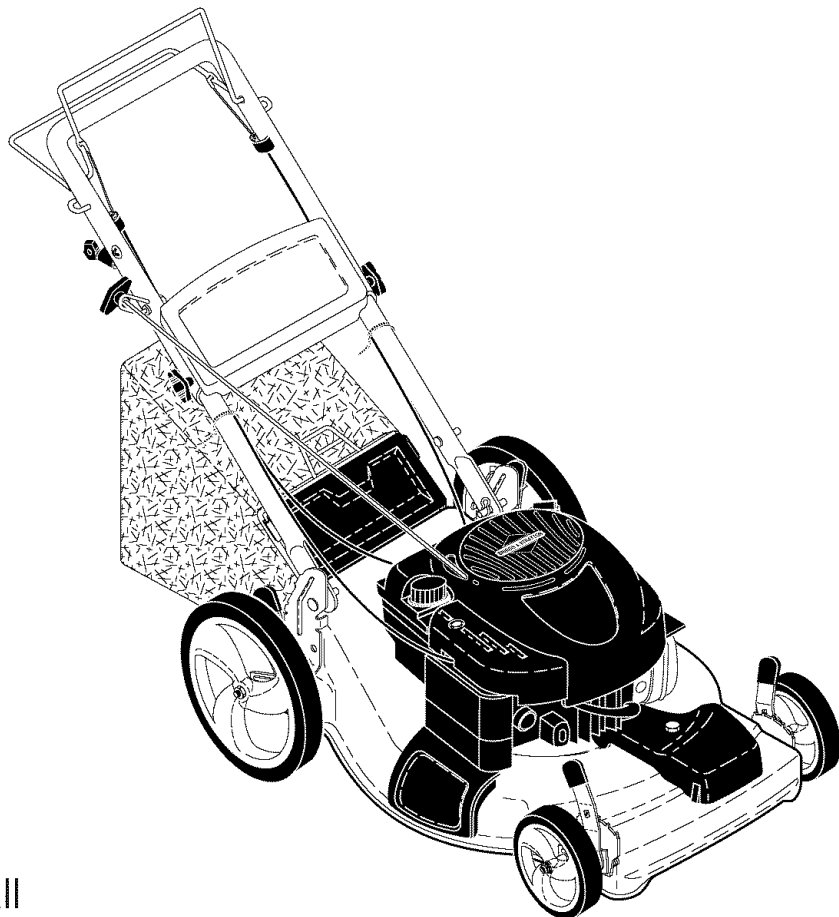
Electric Start

22" Multi-Cut

Model No.

917.376480

• Español, p. 21



CAUTION:

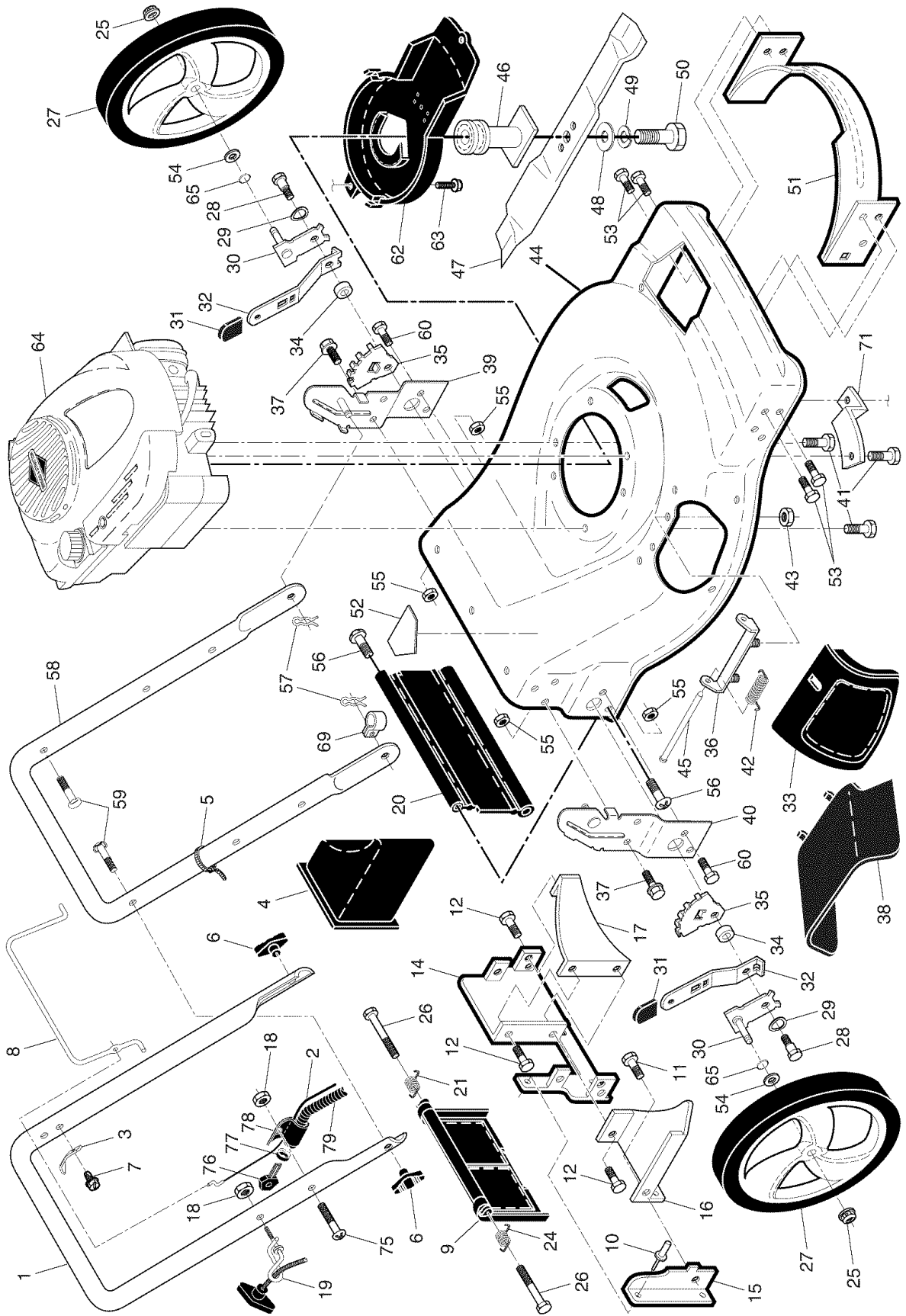
Read and follow all
Safety Rules and Instructions
before operating this equipment

Sears, Roebuck and Co., Hoffman Estates, IL 60179 U.S.A.

Visit our Craftsman website: www.sears.com/craftsman

REPAIR PARTS

CRAFTSMAN ROTARY LAWN MOWER -- MODEL NUMBER 917.376480



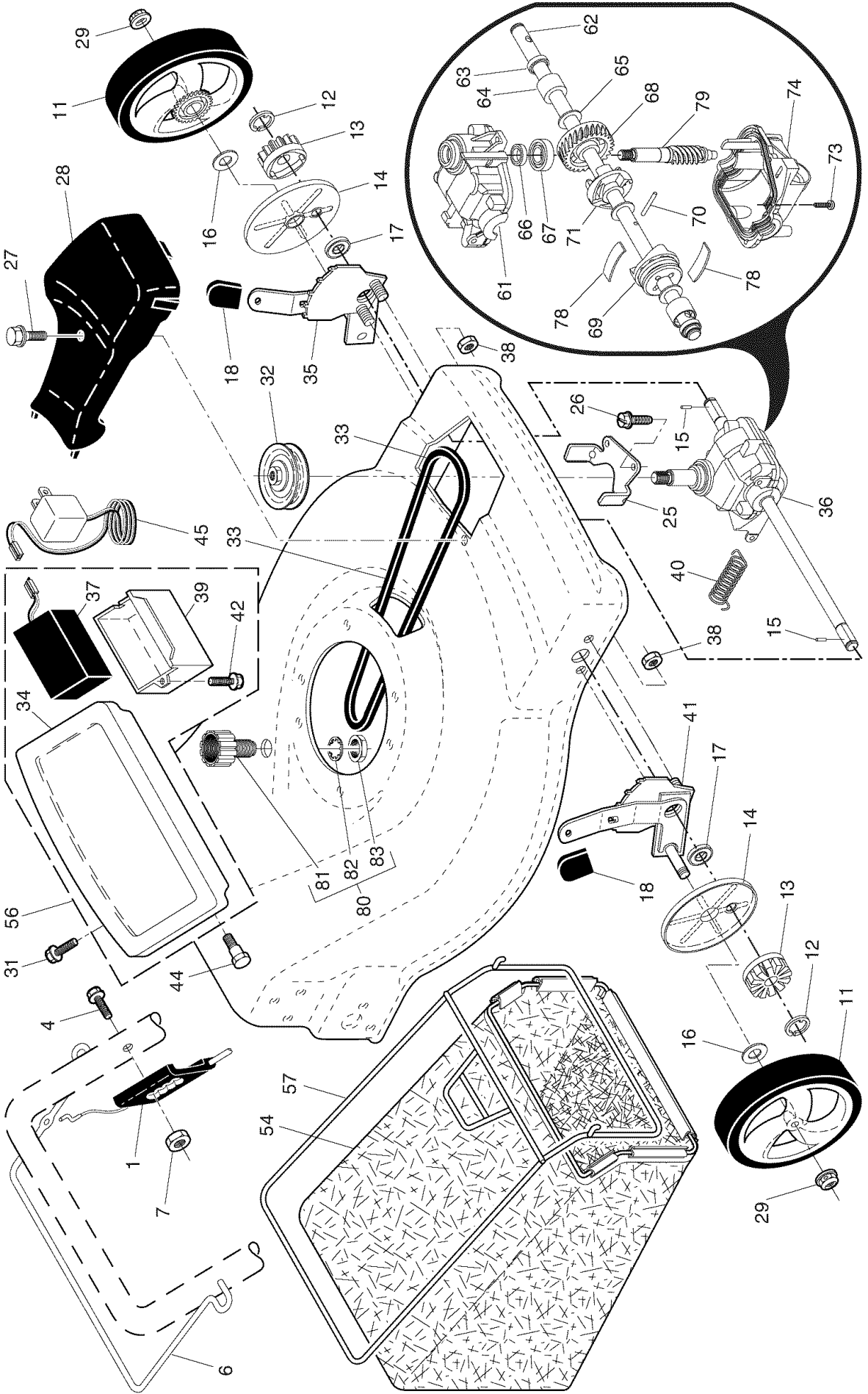
CRAFTSMAN ROTARY LAWN MOWER - - MODEL NUMBER 917.376480

KEY NO.	PART NO.	DESCRIPTION	KEY NO.	PART NO.	DESCRIPTION	KEY NO.	PART NO.	DESCRIPTION
1	194200X479	Upper Handle	31	701037	Selector Knob	55	751592	Nut, Hex 3/8-16
2	401994	Cable, Operator Presence	32	401626X004	Selector Spring	56	88652	Hinge Screw 1/4-20 x 1-1/4
3	850733X004	Bracket, Upstop	33	189917X428	Mulcher Door	57	51793	Hairpin Cotter
4	166649	Mulcher Plug	34	401629	Spacer	58	400512X479	Lower Handle
5	66426	Wire Tie	35	700325X005	Wheel Adjusting Bracket	59	191574	Handle Bolt
6	189713X428	Handle Knob	36	175735	Hinge Bracket Assembly	60	74760612	Bolt, Hex Head 3/8-16 x 3/4
7	750634	Screw	37	150078	Screw, Sems, Thread Cutting 5/16-18 x 3/4	62	405842	Debris Shield
8	194199X428	Control Bar	38	402574X428	Discharge Deflector	63	192325	Screw, Debris Shield
9	401813X428	Rear Door Assembly	39	195915X479	Handle Bracket Assembly, LH	64	- - -	Engine, Briggs & Stratton, Model Number 126T05-
10	128415	Pop Rivet	40	195914X479	Handle Bracket Assembly, RH			1071-B1 (See Breakdown)
11	150050	Screw, Self-Tapping #10-24 x 5/8	41	150406	Screw, Hex Head, Threaded, Rolled 3/8-16 x 1-1/8	65	197480	O-Ring
12	54583	Screw, Hex Hex Head, Sems 1/4-20 x 1/2	42	193000	Spring, Torsion	69	197991	Clip, Cable
14	195622X479	Back Plate	43	73800400	Nut, Hex, Nylon	71	188839X004	Mounting Bracket, Debris Shield
15	410545X479	Side Baffle	44	417153	Kit, Mower Housing (Includes Key Numbers 14, 15 and 51)	75	186159	Screw
16	176655X479	Discharge Baffle	45	175650	Rod, Hinge	76	180331	Key
17	140661X479	Rear Baffle	46	194037	Blade Adapter / Pulley	77	194848	Nut, Cap
18	132004	Keps Locknut 1/4-20	47	406707	Blade, 22"	78	189686	Key Start Switch
19	194788	Rope Guide	48	851074	Washer, Hardened	79	189685	Wiring Harness
20	413160	Rear Skirt	49	850263	Washer, Helical	--	404764	Warning Decal (not shown)
21	405421	Spring, Rear Door, LH	50	851084	Screw, Machine, Hex Head 3/8-24 x 1-3/8 Grade 8	--	417175	Owner's Manual (English / Spanish)
24	405423	Spring, Rear Door, RH	51	170031	Kit, Front Baffle (Includes Key Number 53)	Available accessories not included with mower:		
25	409149	Nut, Hex, Flanged	52	404763	Danger Decal	--	71 33623	Gas Can (2.5 Gallon Container)
26	184193	Bolt, Rear Door	53	17600406	Screw, Serrated, TT 1/4-20	--	71 33500	Fuel Stabilizer
27	194387X427	Wheel & Tire Assembly, Rear	54	88348	Washer, Flat	--	71 33000	SAE 30W Oil (20 Ounce Bottle)
28	142748	Bolt, Shoulder 3/8-16 x 1						
29	401630	Washer, Curved, Cylindrical						
30	401180X004	Axle Arm Assembly						

NOTE: All component dimensions given in U.S. inches. 1 inch = 25.4 mm.

IMPORTANT: Use only Original Equipment Manufacturer (O.E.M.) replacement parts. Failure to do so could be hazardous, damage your lawn mower and void your warranty.

CRAFTSMAN ROTARY LAWN MOWER -- MODEL NUMBER 917.376480

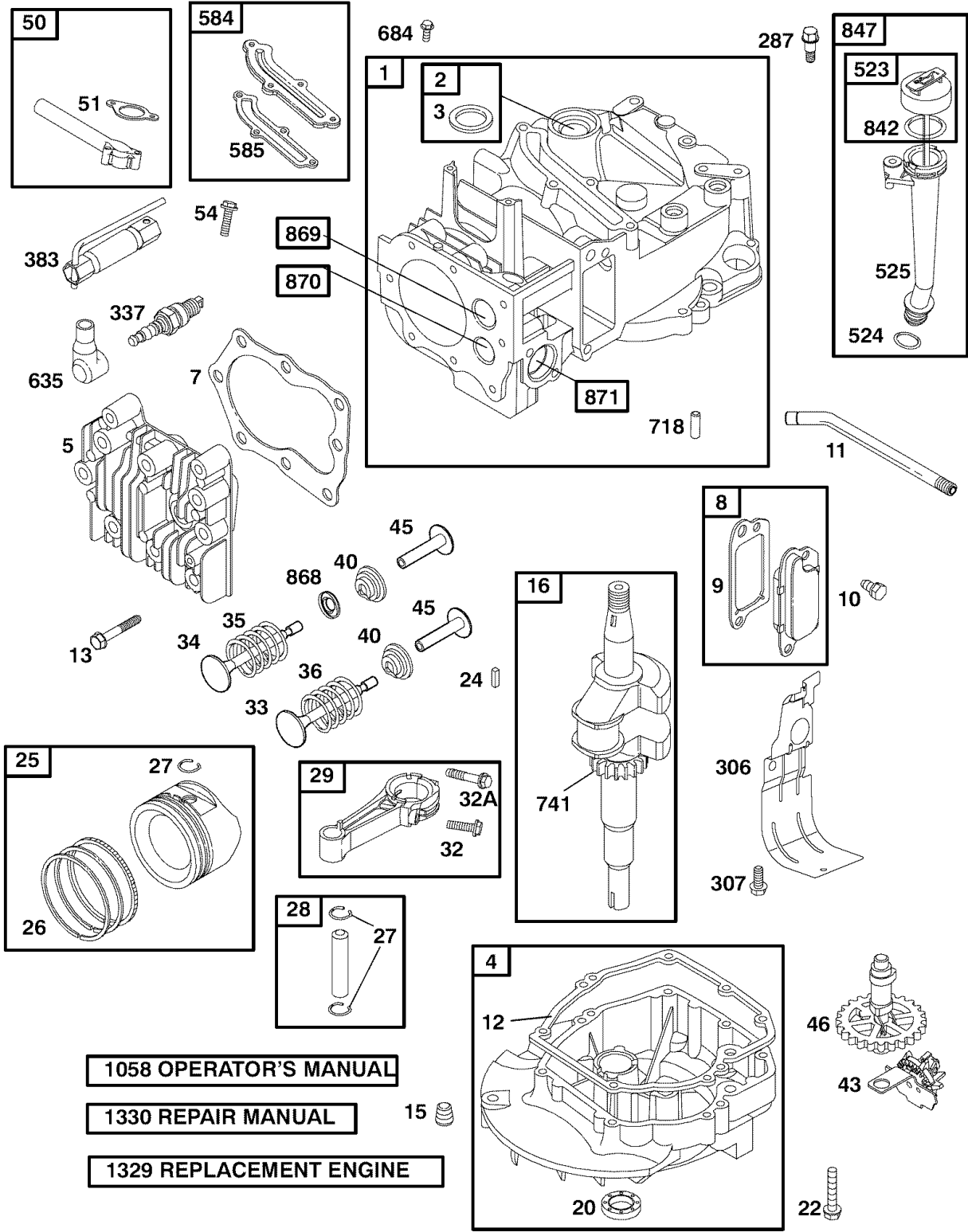


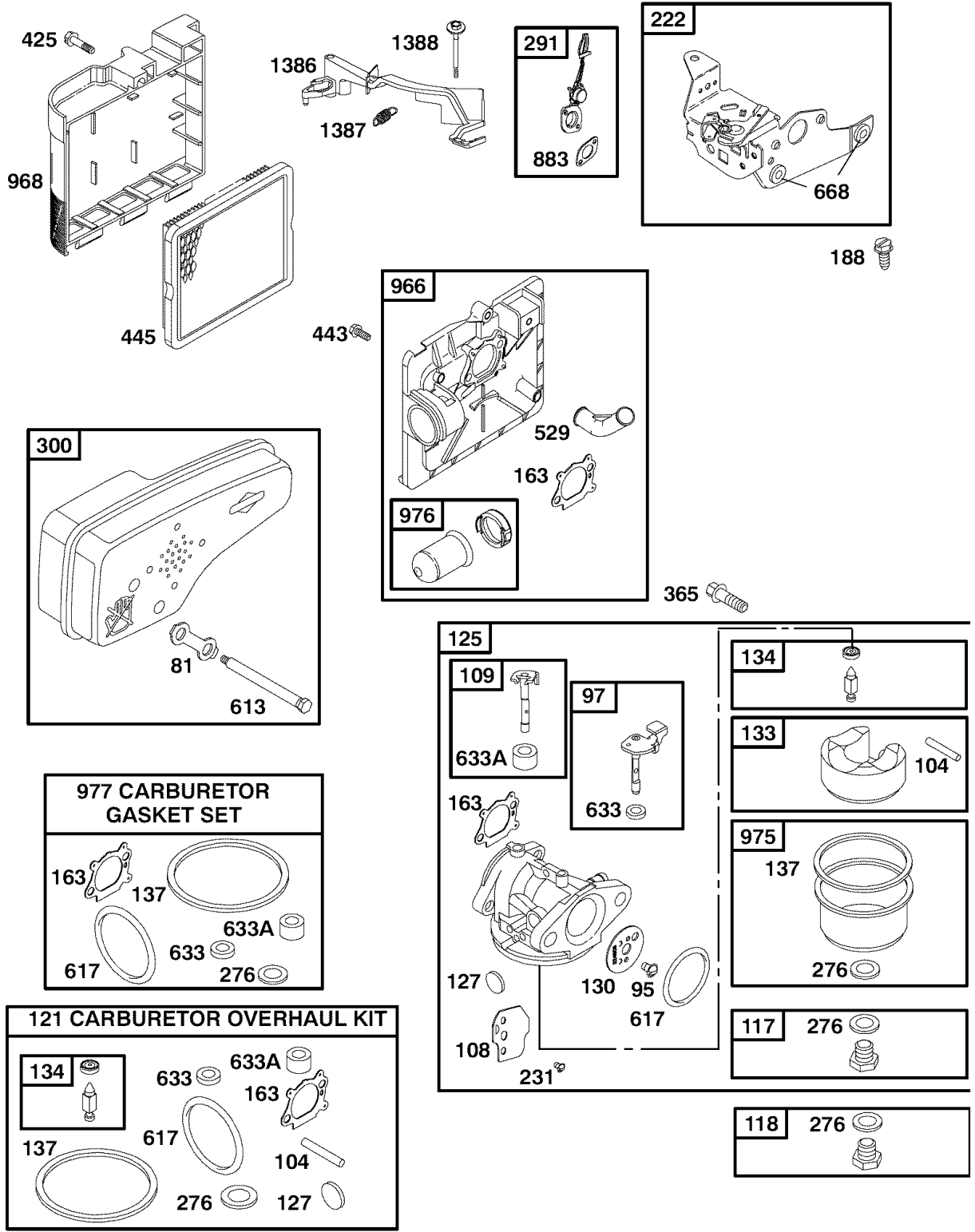
CRAFTSMAN ROTARY LAWN MOWER - - MODEL NUMBER 917.376480

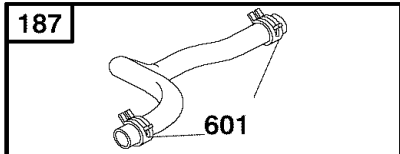
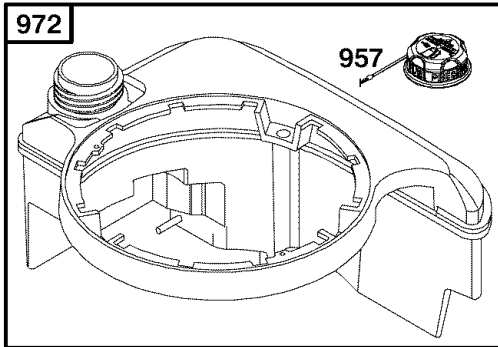
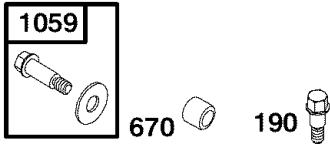
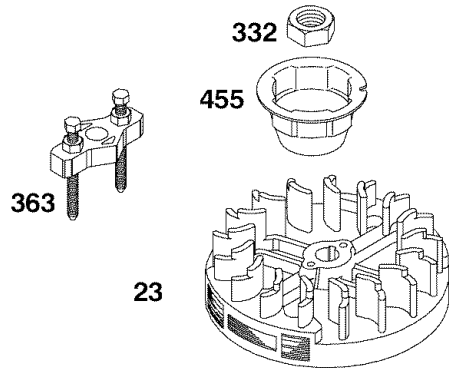
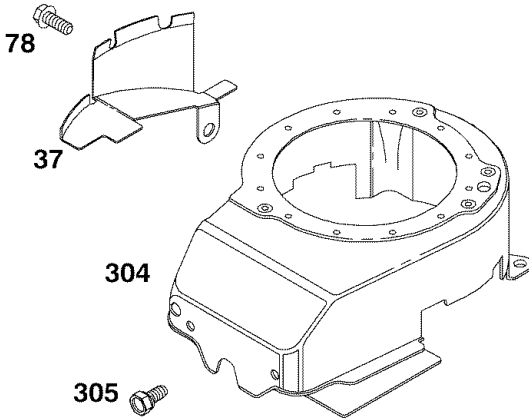
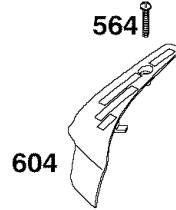
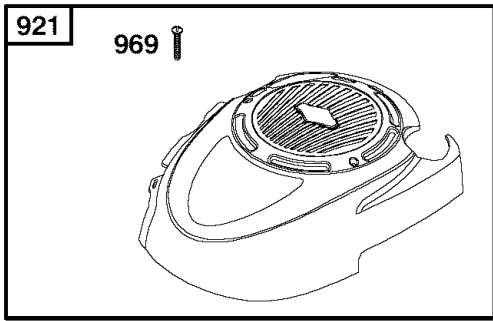
KEY NO.	PART NO.	DESCRIPTION	KEY NO.	PART NO.	DESCRIPTION
1	407816	Drive Control Assembly (Includes Cable)	40	406558	Spring
4	199687	Screw	41	408861	Kit, Wheel Adjuster, RH (Includes Knob and Bearing)
6	194185X615	Bar, Drive Control	42	17411308	Screw, Battery Box
7	191730	Nut, Hex	44	175551	Screw, Trimplate
11	194231X427	Wheel & Tire Assembly, Front	45	190097	Charger, Battery
12	12000058	E-Ring	54	410276	Grassbag Assembly
13	403849	Pinion	56	191252	Trimplate / Battery / Battery Box Assembly
14	189403	Dust Cover	57	411952	Frame, Grassbag
15	404845	Pawl, Drive	61	410726	Case, Upper
16	67725	Washer, Flat 3/8	62	410728	Shaft, Output
17	191039	Bearing, Wheel Adjuster	63	183508	Seal, Output Shaft
18	701037	Selector Knob	64	183511	Bushing
25	404843X004	Belt Keeper	65	183509	Washer
26	163409	Screw, Hi-Lo Thread 12 x 5/8	66	183514	Seal, Worm Shaft
27	175262	Pan Head Tapping Screw #10-24 x 2-3/4	67	183506	Bearing, Ball
28	194407X428	Drive Cover	68	410729	Gear, 28 Teeth
29	409148	Locknut, Hex	69	410732	Fixed Dog Clutch
31	141841	Screw, Trimplate	70	410733	Pin
32	194018	Pulley, Drive	71	410730	Movable Dog Clutch
33	196857	V-Belt	73	183513	Screw, Case
34	411190	Trimplate	74	410734	Case, Lower
35	408862	Kit, Wheel Adjuster, LH (Includes Knob and Bearing)	78	410731	Spring, Leaf
36	404834	Gear Case Assembly, Complete	79	410727	Shaft, Worm
37	189589	Battery	80	415086	Water Washout Assembly
38	73800400	Locknut 1/4-20	81	417961	Fitting, Water Washout
39	186237	Battery Box	82	415585	Washer, Lock, Internal Tooth
			83	415586	Locknut, Hex, with O-Ring

NOTE: All component dimensions given in U.S. inches. 1 inch = 25.4 mm.

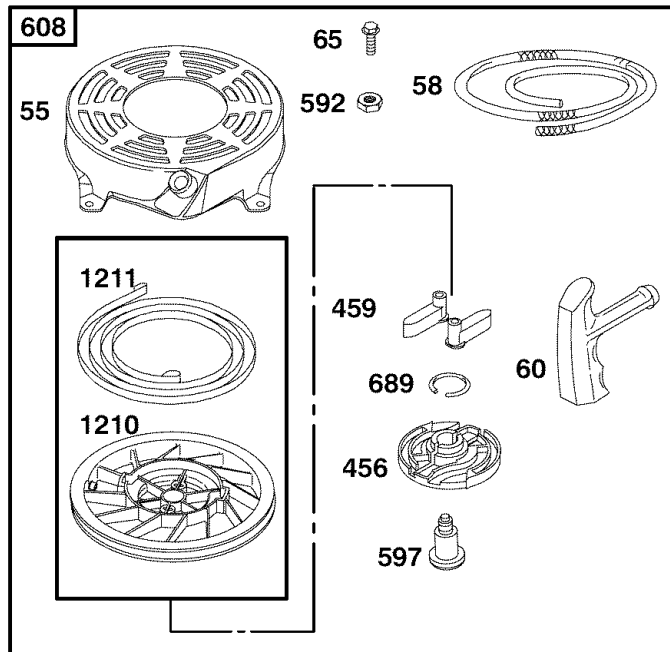
IMPORTANT: Use only Original Equipment Manufacturer (O.E.M.) replacement parts. Failure to do so could be hazardous, damage your lawn mower and void your warranty.

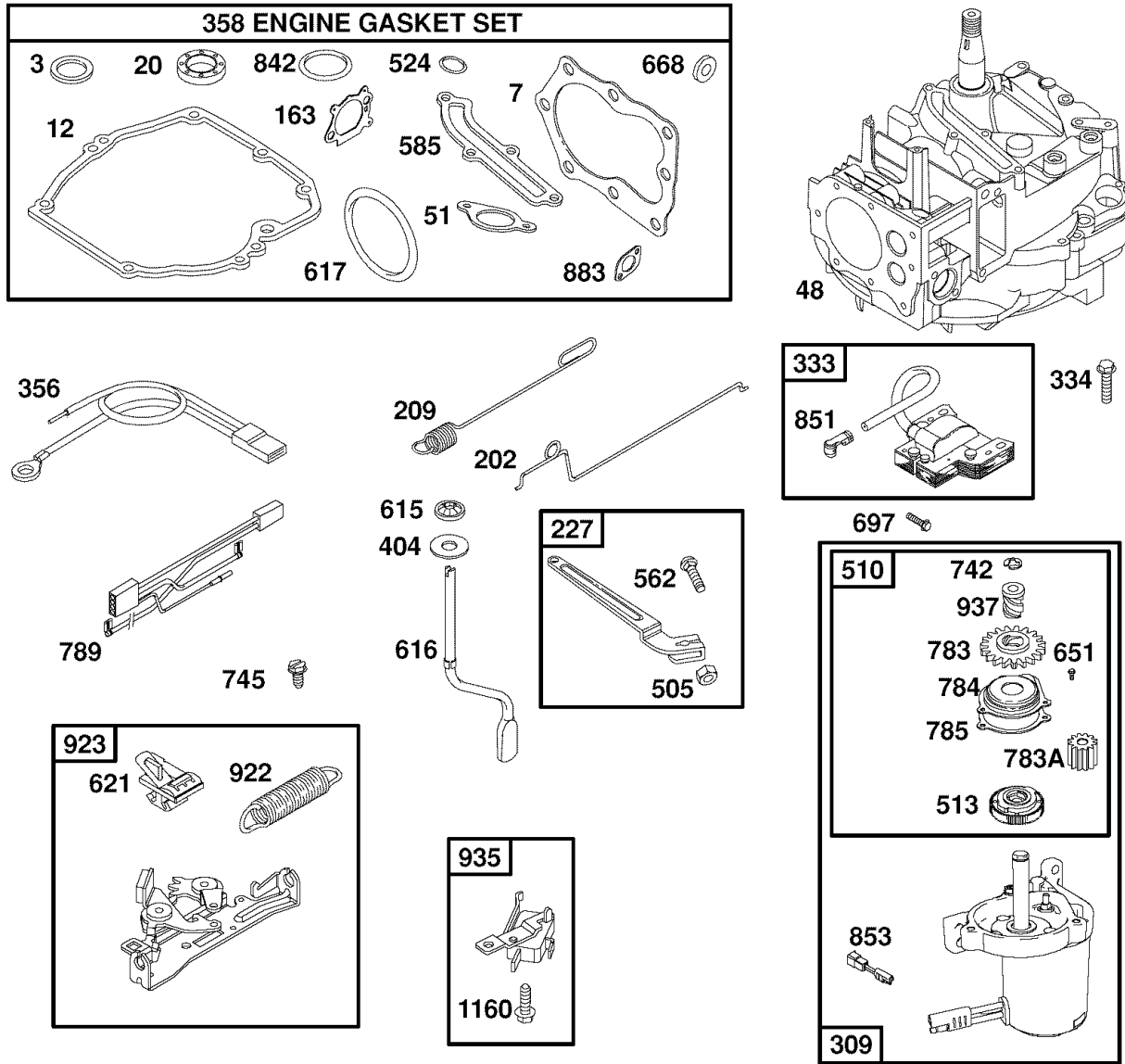






1036 EMISSIONS LABEL





Engine Power Rating Information

The gross power rating for individual gas engine models is labeled in accordance with SAE (Society of Automotive Engineers) code J11940 (Small Engine Power & Torque Rating Procedure), and rating performance has been obtained and corrected in accordance with SAE J1995 (Revision 2002-5). Actual gross engine power will be lower and is affected by, among other things, ambient operating conditions and engine-to-engine variability. Given both the wide array of products on which engines are placed and the variety of environmental issues applicable to operating the equipment, the gas engine will not develop the rated gross power when used in a given piece of power equipment (actual "on-site" or net horsepower). This difference is due to a variety of factors including, but not limited to, accessories (air cleaner, exhaust, charging, cooling, carburetor, fuel pump, etc.), application limitations, ambient operating conditions (temperature, humidity, altitude), and engine-to-engine variability. Due to manufacturing and capacity limitations, Briggs & Stratton may substitute an engine of higher rated power for this Series engine.

KEY NO.	PART NO.	DESCRIPTION	KEY NO.	PART NO.	DESCRIPTION
1	697322	Cylinder Assembly	104	691242	Ø Pin-Float Hinge
2	399269	Kit-Bushing/Seal	108	790844	Valve-Choke
3	299819s	• Seal-Oil (Magneto Side)	109	790843	Shaft-Choke
4	493279	Sump-Engine	117	691428	Jet-Main (Standard)
5	691160	Head-Cylinder	118	498977	Jet-Main (High Altitude)
7	692249	• Gasket-Cylinder Head	121	498260	Kit-Carburetor Overhaul
8	695250	Breather Assembly	125	794304	Carburetor
9	696125	Gasket-Breather	127	694468	Ø Plug-Welch
10	691125	Screw (Breather Assembly)	130	696564	Valve-Throttle
11	691781	Tube-Breather	133	398187	Float-Carburetor
12	692232	• Gasket-Crankcase	134	398188	Ø Valve-Needle/Seat
13	690912	Screw (Cylinder Head)	137	693981	Ø± Gasket-Float Bowl
15	691680	Plug-Oil Drain	163	272653s	• Ø± Gasket-Air Cleaner
16	691450	Crankshaft	187	791873	Line-Fuel (Molded)
20	399781s	• Seal-Oil (PTO Side)	188	693399	Screw (Control Bracket)
22	691092	Screw (Engine Sump)	190	690940	Screw (Fuel Tank)
23	691987	Flywheel	202	691829	Link-Mechanical Governor
24	222698s	Key-Flywheel	209	699056	Spring-Governor
25	790359	Piston Assembly (Standard Size)	222	793754	Bracket-Control
	791326	Piston Assembly (.020" Oversize)	227	690783	Control Lever-Governor
			231	691636	Screw (Choke Valve)
			276	271716	Ø± Sealing Washer
26	790360	Ring Set (Standard)	287	690940	Screw (Dipstick Tube)
	791324	Ring Set (.020" Oversize)	291	790830	Thermostat
27	691866	Lock-Piston Pin	300	790828	Muffler
28	499423	Pin-Piston	304	791135	Housing-Blower
29	499424	Rod-Connecting	305	691108	Screw (Blower Housing)
32	691664	Screw (Connecting Rod)	306	790836	Shield-Cylinder
32A	695759	Screw (Connecting Rod)	307	690345	Screw (Cylinder Shield)
33	262651s	Valve-Exhaust	309	795092	Motor-Starter
34	262652s	Valve-Intake	332	690662	Nut (Flywheel)
35	691270	Spring-Valve (Intake)	333	802574	Armature-Magneto
36	691270	Spring-Valve (Exhaust)	334	691061	Screw (Armature Magneto)
37	694086	Guard-Flywheel	337	802592s	Plug-Spark
40	692194	Retainer-Valve	356	692390	Wire-Stop
43	691997	Slinger-Governor/Oil	358	497316	Engine Gasket Set
45	690548	Tappet-Valve	363	19069	Flywheel Puller
46	691449	Camshaft	365	692524	Screw (Carburetor)
48	792741	Short Block	383	89838s	Wrench-Spark Plug
50	794305	Manifold-Intake	404	690272	Washer (Governor Crank)
51	794306	• Gasket-Intake	425	690670	Screw (Air Cleaner Cover)
54	691650	Screw (Intake Manifold)	443	692523	Screw
55	691421	Housing-Rewind Starter			(Air Cleaner Primer Base)
58	697316	Rope-Starter (Cut to Required Length)	445	491588s	Filter-Air Cleaner Cartridge
			455	791960	Cup-Flywheel
60	281434s	Grip-Starter Rope	456	692299	Plate-Pawl Friction
65	690837	Screw (Rewind Starter)	459	281505s	Pawl-Ratchet
78	691108	Screw (Flywheel Guard)	505	691251	Nut
81	691740	Lock-Muffler Screw			(Governor Control Lever)
97	696565	Shaft-Throttle	510	795093	Drive-Starter

KEY NO.	PART NO.	DESCRIPTION	KEY NO.	PART NO.	DESCRIPTION
513	692358	Clutch-Drive	883	691881	•Gasket-Exhaust
523	499621	Dipstick	921	790701	Cover-Blower Housing
524	692296	•Seal-Dipstick Tube	922	691831	Spring-Brake
525	495265	Tube-Dipstick	923	691994	Brake
529	691923	Grommet	935	398758	Switch-Interlock
562	691119	Bolt (Governor Control Lever)	937	691325	Spline-Starter
564	698589	Screw (Control Cover)	957	793606	Cap-Fuel Tank
584	697734	Cover-Breather Passage	966	792040	Base-Air Cleaner Primer
585	691879	•Gasket-Breather Passage	968	692298	Cover-Air Cleaner
592	690800	Nut (Rewind Starter)	969	690700	Screw (Blower Housing Cover)
597	691696	Screw (Pawl Friction Plate)	972	699374	Tank-Fuel
601	791850	Clamp-Hose	975	493640	Bowl-Float
604	790703	Cover-Control	976	496115	Primer-Carburetor
608	497680	Starter-Rewind	977	498261	Set-Carburetor Gasket
613	790833	Screw (Muffler)	1036	- - -	Label-Emissions (Available from an Authorized Briggs & Stratton Service Dealer)
615	690340	Retainer-Governor Shaft			
616	698801	Crank-Governor			
617	270344s	•Ø‡ Seal-O Ring (Intake Manifold)	1058	MS3260	Operator's Manual
621	692310	Switch-Stop	1059	692311	Kit-Screw/Washer
633	691321	Ø‡ Seal-Choke/Throttle Shaft	1160	691627	Screw (Interlock Switch)
633A	693867	Ø‡ Seal-Choke/Throttle Shaft	1210	498144	Assembly-Pulley/Spring (Pulley)
635	66538s	Boot-Spark Plug	1211	498144	Assembly-Pulley/Spring (Spring)
651	691660	Screw (Starter Gear Cover)			
668	493823	•Spacer (Includes 2)	1329	126T07-0662	Replacement Engine (Replacement engine listed is not available in the State of California. Repair with individual parts.)
670	692294	Spacer-Fuel Tank			
684	690345	Screw (Breather Passage Cover)			
689	691855	Spring-Friction			
697	691127	Screw (Drive Cap)	1330	270962	Repair Manual
718	690959	Pin-Locating	1386	790848	Vane-Air
741	790345	Gear-Timing	1387	790849	Spring-Air Vane
742	93941	Retainer-E Ring	1388	790850	Screw (Air Vane)
745	691648	Screw (Brake)			
783	691269	Gear-Pinion	- -	398067	Spark Arrester (available accessory)
783A	691918	Gear-Pinion			
784	795095	Cover-Starter Gear			
785	692352	Gasket-Starter Cover	•		Included in Engine Gasket Set, Key Number 358
789	696547	Harness-Wiring			
842	691031	•Seal-O Ring (Dipstick Tube)	Ø		Included in Carburetor Overhaul Kit, Key Number 121
847	692047	Assembly-Dipstick/Tube			
851	493880s	Terminal-Spark Plug			
853	695268	Adapter-Wire	‡		Included in Carburetor Gasket Set, Key Number 977
868	697338	Seal-Valve			
869	691155	Seat-Valve (Intake)			
870	690380	Seat-Valve (Exhaust)			
871	262001	Bushing-Guide (Exhaust)			
	63709	Bushing-Guide (Intake)			

NOTE: All component dimensions given in U.S. inches. 1 inch = 25.4 mm