

Owner's Manual



ROTARY LAWN MOWER

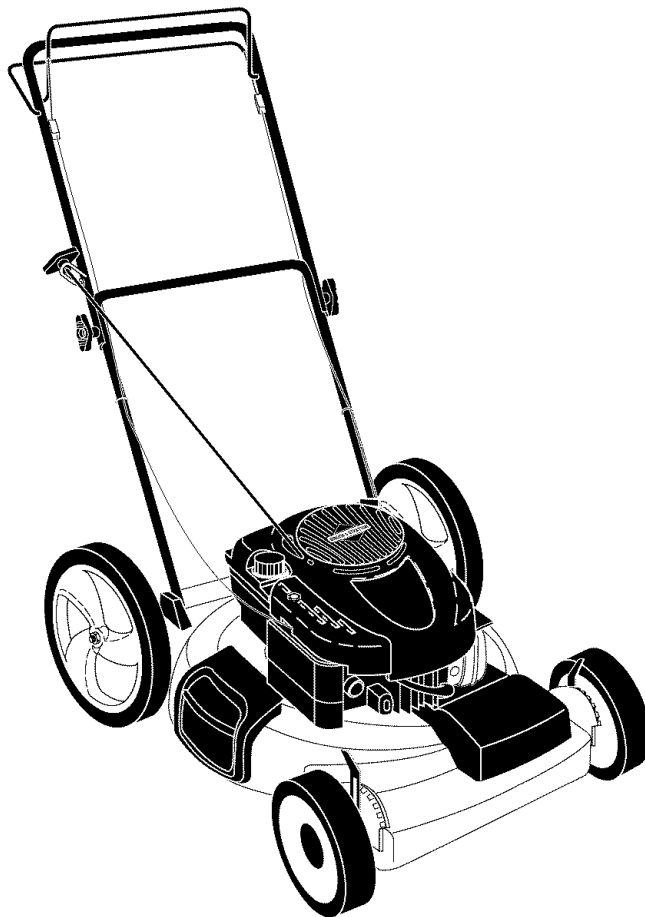
6.0 Horsepower

22" Side Discharge

Model No.

917.375510

• Español, p. 18



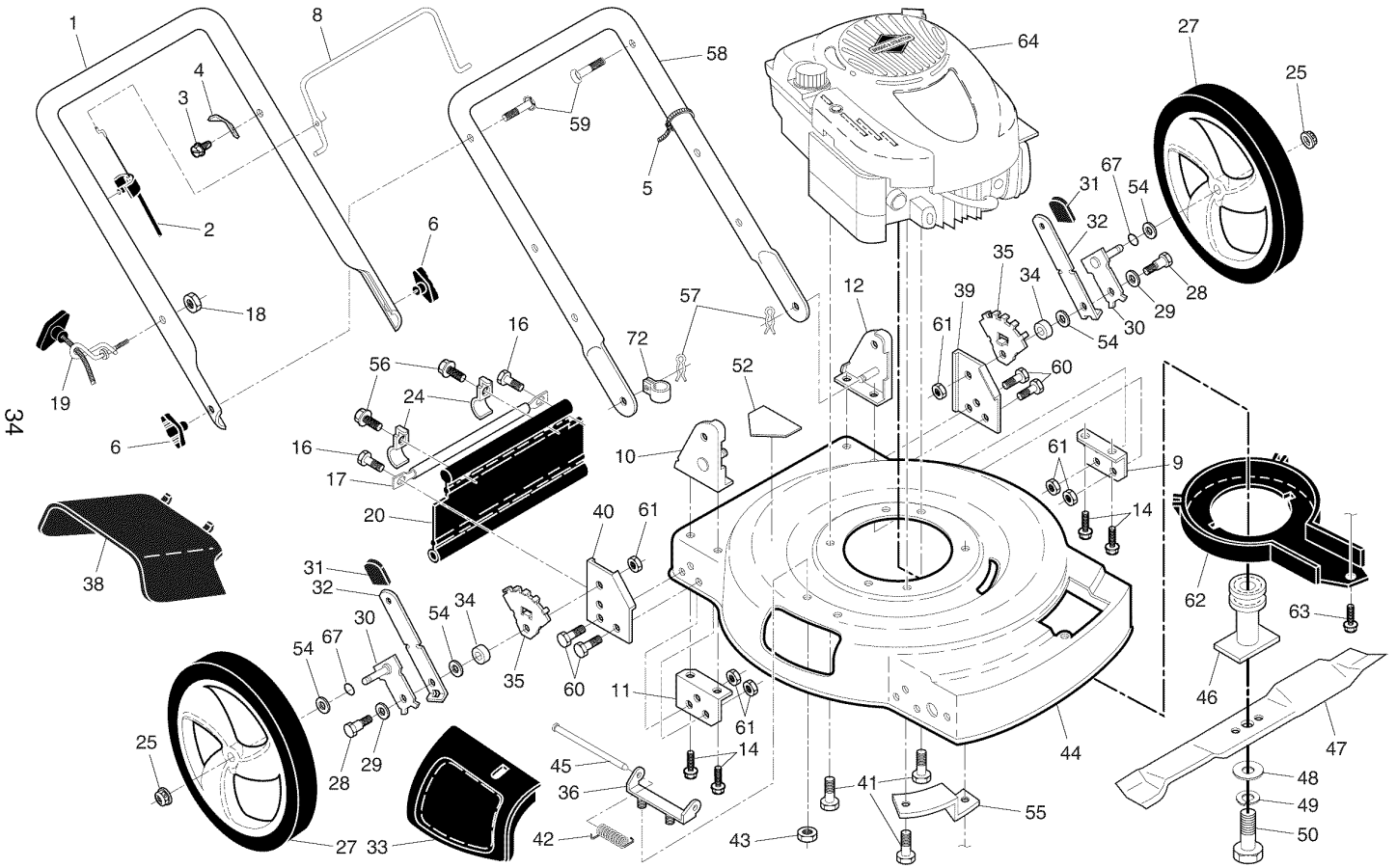
CAUTION:

Read and follow all
Safety Rules and Instructions
before operating this equipment

Sears, Roebuck and Co., Hoffman Estates, IL 60179 U.S.A.

Visit our Craftsman website: www.sears.com/craftsman

CRAFTSMAN ROTARY LAWN MOWER -- MODEL NUMBER 917.375510



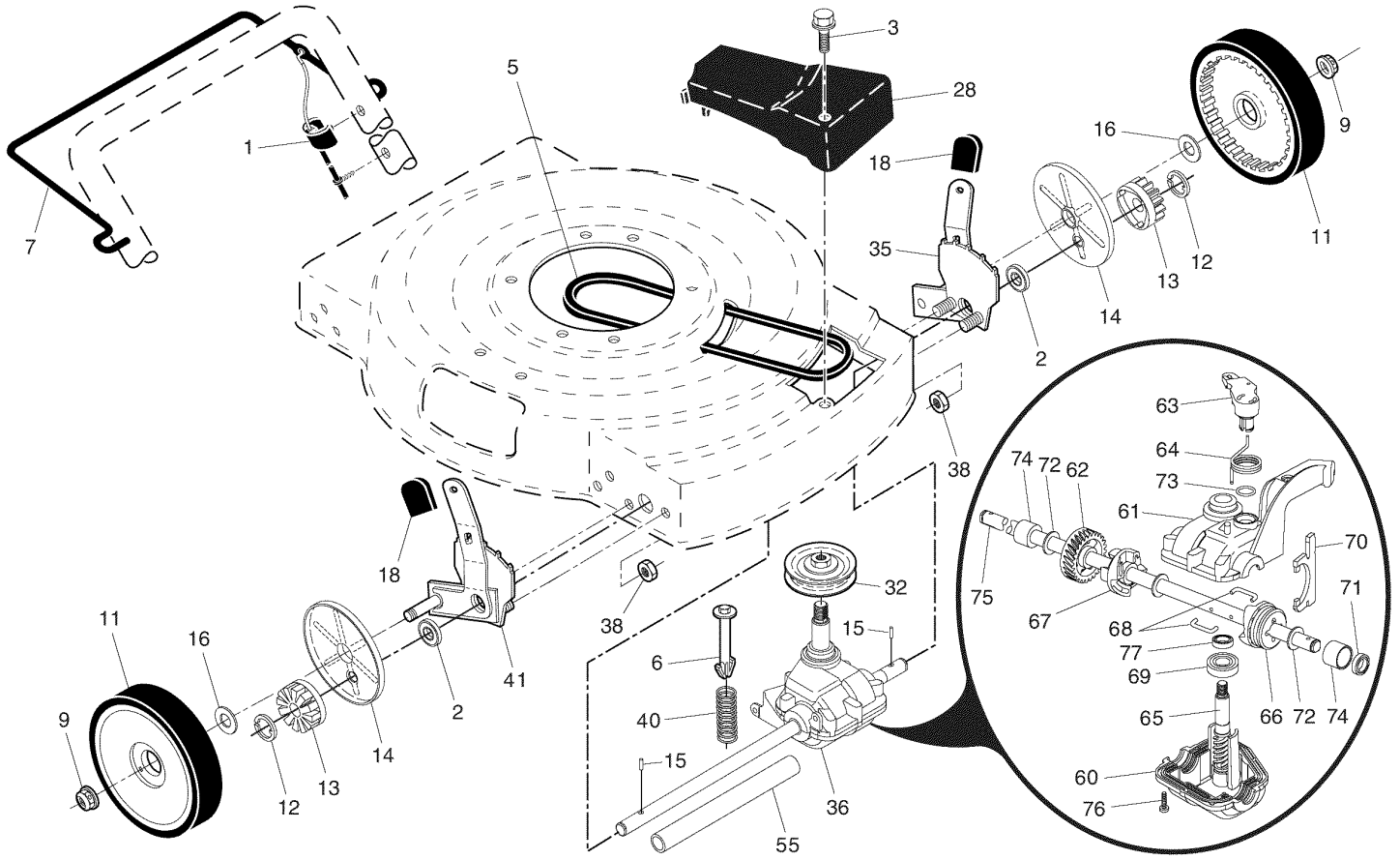
CRAFTSMAN ROTARY LAWN MOWER - - MODEL NUMBER 917.375510

KEY NO.	PART NO.	DESCRIPTION	KEY NO.	PART NO.	DESCRIPTION
1	194200X479	Upper Handle	42	152124	Spring, Torsion
2	183567	Engine Zone Control Cable	43	73800400	Locknut, Hex
3	750634	Screw	44	194311	Lawn Mower Housing (Includes Key #46)
4	850733X004	Bracket, Upstop	45	147286	Rod, Hinge
5	66426	Wire Tie	46	189179	Blade Adapter / Pulley
6	189713X428	Handle Knob	47	192682	Blade, 22"
8	194199X428	Control Bar	48	851074	Washer, Hardened
9	153282X479	Support Bracket, Handle, LH	49	850263	Washer, Lock, Helical
10	170345X479	Handle Bracket Assembly, RH	50	851084	Screw, Hex Head 3/8-24 x 1-3/8 (Grade 8)
11	153350X479	Support Bracket, Handle, RH	52	85463	Decal, Danger
12	170346X479	Handle Bracket Assembly, LH	54	88348	Washer, Flat 1/2
14	149741	Screw, Thread Cutting 5/16-18 x 3/4	55	188839X004	Mounting Bracket, Debris Shield
16	54583	Screw	56	750097	Screw, Hex Washer Head #10-24 x 1/2
17	165175X479	Support Rod	57	51793	Hairpin Cotter
18	132004	Locknut, Keys	58	151590X479	Lower Handle
19	194788	Rope Guide	59	191574	Handle Bolt
20	189008	Rear Skirt	60	74760612	Bolt
24	192301X004	Clamp, Rear Skirt	61	751592	Locknut, Hex
25	145212	Locknut, Hex 3/18-16	62	188784	Debris Shield
27	194387X460	Wheel & Tire Assembly	63	192325	Screw
28	142748	Shoulder Bolt	64	- - -	Engine, Briggs & Stratton, Model Number 122K02-0577-E1 (See Breakdown)
29	61651	Belleville Washer	67	197480	O-Ring
30	180413X004	Axle Arm Assembly	72	197991	Clip, Cable
31	87877	Knob, Selector	- -	161058	Warning Decal (not shown)
32	700331X004	Spring, Selector	- -	401733	Owner's Manual (English / Spanish)
33	151889	Mulcher Door	Available accessories not included with lawn mower:		
34	146630	Spacer	- -	71 33623	Gas Can (2.5 Gallon container)
35	750085X007	Bracket, Wheel Adjuster	- -	71 33500	Fuel Stabilizer
36	154132	Bracket, Housing	- -	71 33000	SAE 30W Oil (20 Ounce bottle)
38	176509	Deflector, Discharge	- -	71 33072	Grass Catcher
39	193248X479	Support Bracket, LH			
40	193247X479	Support Bracket, RH			
41	150406	Screw, Hex Head, Threaded, Rolled 3/8-16 x 1-1/8			

NOTE: All component dimensions given in U.S. inches. 1 inch = 25.4 mm.

IMPORTANT: Use only Original Equipment Manufacturer (O.E.M.) replacement parts. Failure to do so could be hazardous, damage your lawn mower and void your warranty.

CRAFTSMAN ROTARY LAWN MOWER -- MODEL NUMBER 917.375510



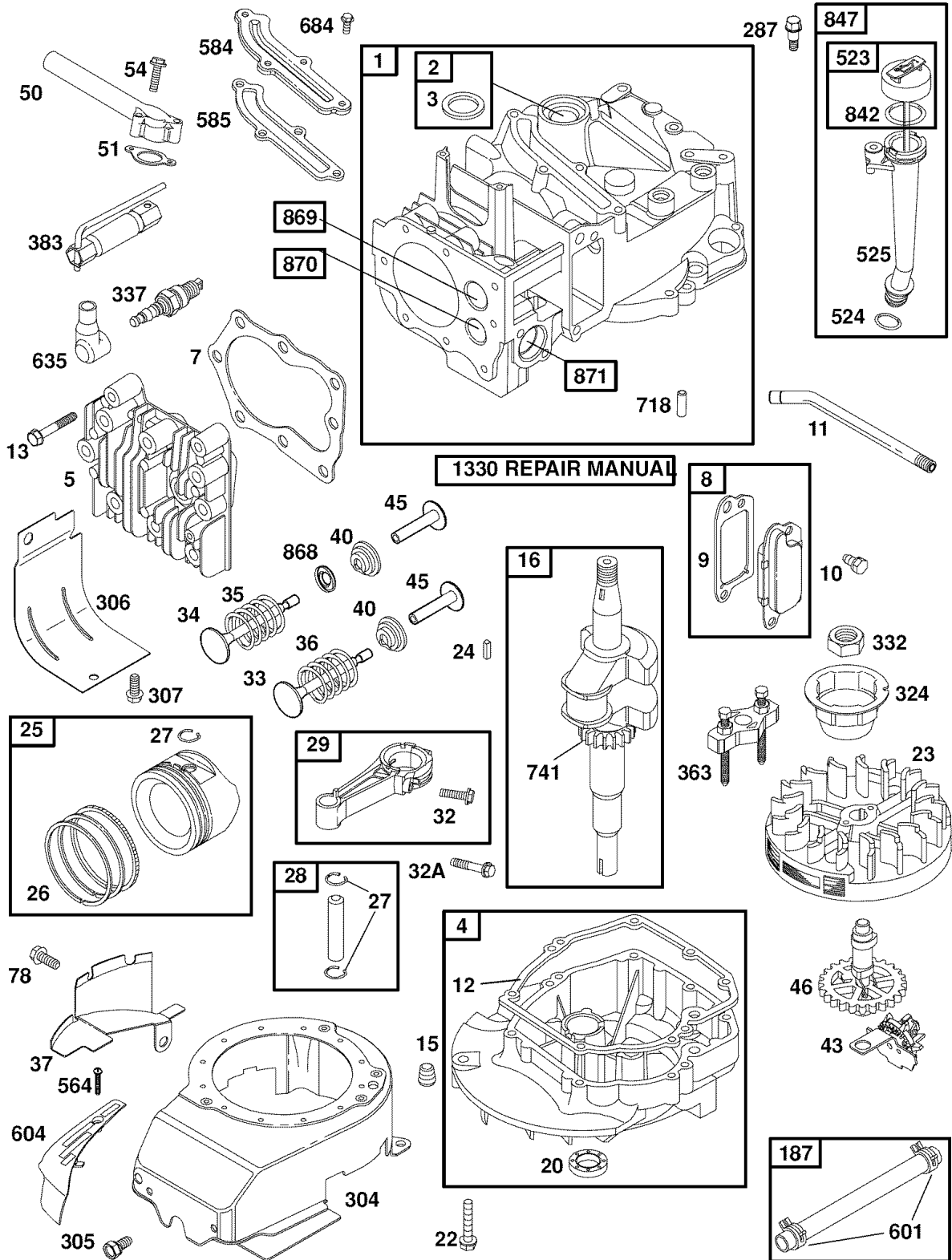
CRAFTSMAN ROTARY LAWN MOWER - - MODEL NUMBER 917.375510

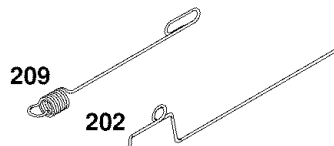
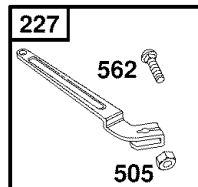
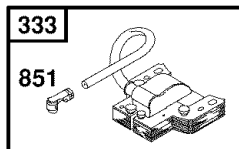
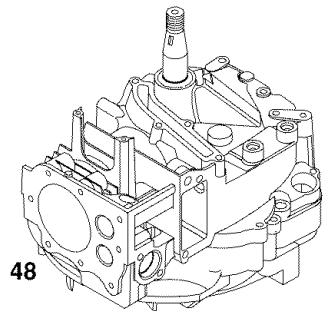
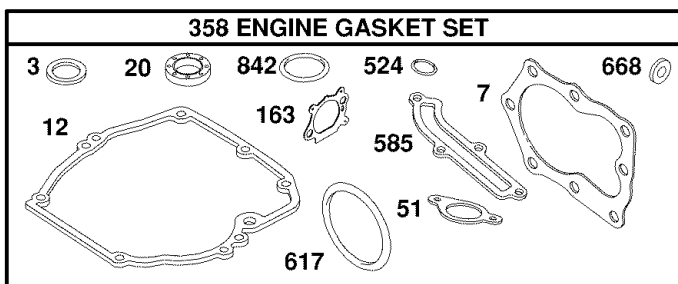
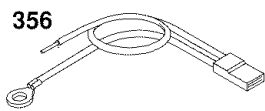
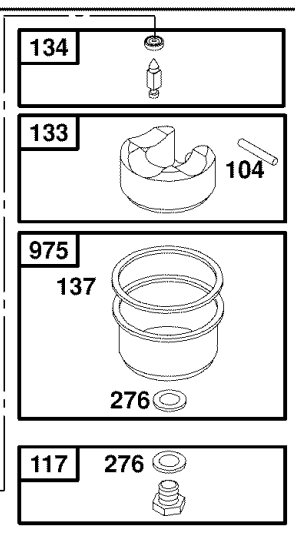
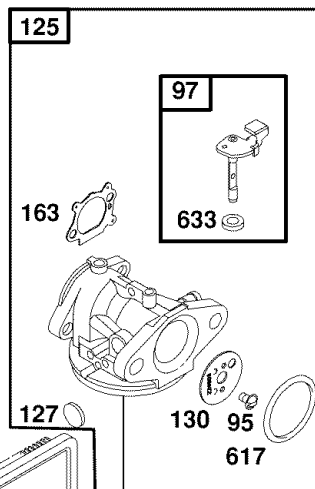
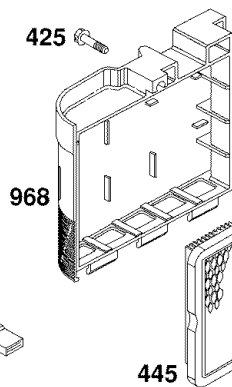
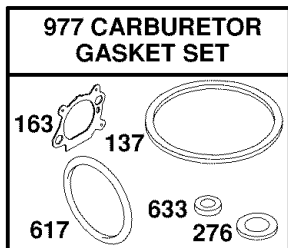
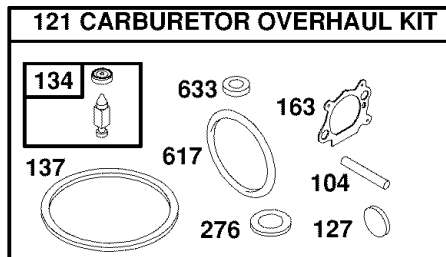
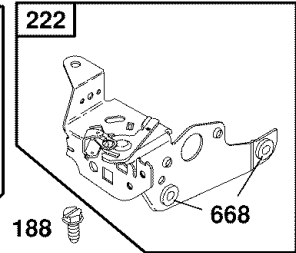
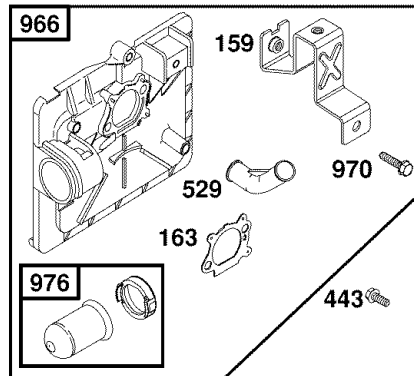
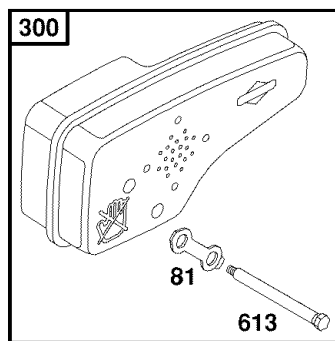
KEY NO.	PART NO.	DESCRIPTION	KEY NO.	PART NO.	DESCRIPTION
1	194653	Drive Control Cable Assembly	41	195107	Kit, Wheel Adjuster, RH (Includes Knob and Bearing)
2	191039	Bearing, Wheel Adjuster	55	86012	Driveshaft Cover
3	143603	Pan Head Tapping Screw #10-24 x 2-3/4	60	183497	* Case, Lower
5	146527	V-Belt	61	183498	* Case, Upper
6	150495	Spring Retainer	62	183499	Gear, 27 Teeth
7	194185X428	Control Bar, Drive	63	183500	Lever, Clutch
9	83923	Locknut, Hex	64	183501	Spring, Return
11	194231X460	Wheel & Tire Assembly	65	183502	Shaft, Input
12	12000058	E-Ring	66	183503	Dog, Movable
13	750003	Pinion	67	183504	Dog, Fixed
14	189403	Dust Cover	68	183505	Wire, Formed
15	191017	Pawl, Drive	69	183506	Bearing, Ball
16	67725	Washer	70	183507	Fork, Shift
18	87877	Selector Knob	71	183508	Seal, Output Shaft
28	194398X428	Drive Cover	72	183509	Washer
32	194126	Drive Pulley	73	183510	Seal, Case
35	195110	Kit, Wheel Adjuster, LH (Includes Knob and Bearing)	74	183511	Bushing
36	194936	Gear Case Assembly, Complete	75	196561	Shaft, Output
38	73800400	Locknut, Hex 1/4-20	76	183513	Screw
40	137090	Spring	77	183514	Seal, Input Shaft

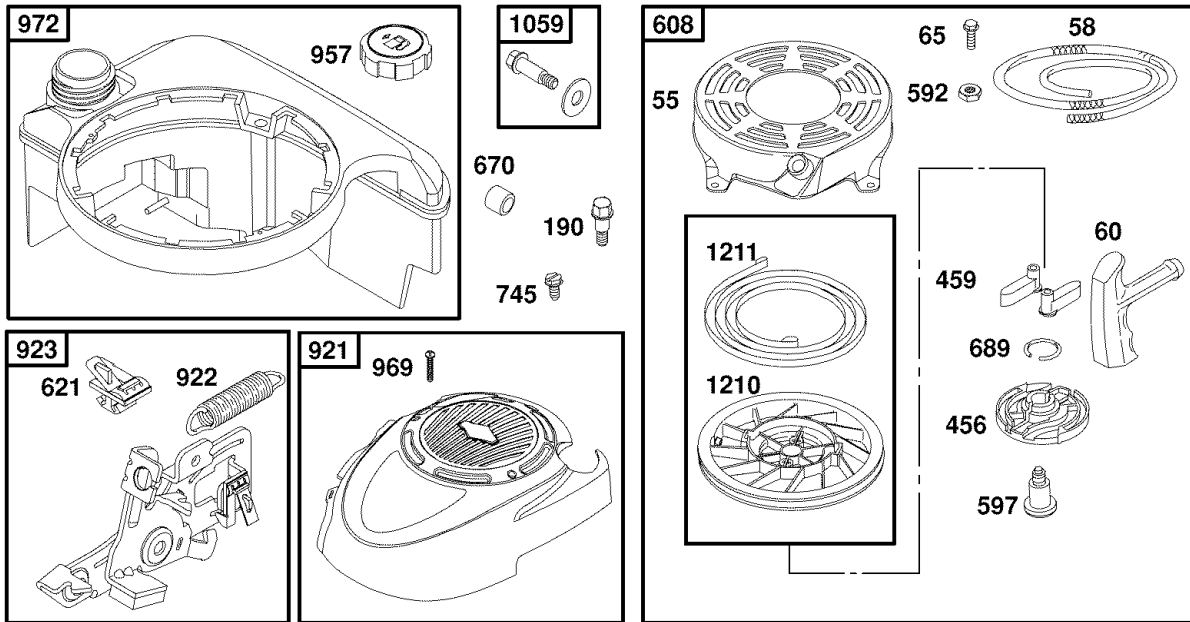
* Use Dow Corning #709 to reseal.

NOTE: All component dimensions given in U.S. inches. 1 inch = 25.4 mm.

IMPORTANT: Use only Original Equipment Manufacturer (O.E.M.) replacement parts. Failure to do so could be hazardous, damage your lawn mower and void your warranty.







KEY NO.	PART NO.	DESCRIPTION	KEY NO.	PART NO.	DESCRIPTION
1	697322	Cylinder Assembly	35	691270	Spring-Valve (Intake)
2	399269	Kit-Bushing/Seal	36	691270	Spring-Valve (Exhaust)
3	299819	• Seal-Oil (Magneto Side)	37	694086	Guard-Flywheel
4	493279	Sump-Engine	40	692194	Retainer-Valve
5	691160	Head-Cylinder	43	691997	Slinger-Governor/Oil
7	692249	• Gasket-Cylinder Head	45	690548	Tappet-Valve
8	695250	Breather Assembly	46	691449	Camshaft
9	696125	Gasket-Breather	48	498829	Short Block
10	691125	Screw (Breather Assembly)	50	497465	Manifold-Intake
11	691781	Tube-Breather	51	272199	• Gasket-Intake
12	692232	• Gasket-Crankcase	54	691650	Screw (Intake Manifold)
13	690912	Screw (Cylinder Head)	55	691421	Housing-Rewind Starter
15	691680	Plug-Oil Drain	58	697316	Rope-Starter (Cut to Length)
16	691450	Crankshaft	60	281434	Grip-Starter Rope
20	399781	• Seal-Oil (PTO Side)	65	690837	Screw (Rewind Starter)
22	691092	Screw (Engine Sump)	78	691108	Screw (Flywheel Guard)
23	691987	Flywheel	81	691740	Lock-Muffler Screw
24	222698	Key-Flywheel	95	691636	Screw (Throttle Valve)
25	790359	Piston Assembly (Standard)	97	696565	Shaft-Throttle
26	790360	Ring Set-Piston (Standard)	104	691242Ø	Pin-Float Hinge
27	691866	Lock-Piston Pin	117	498978	Jet-Main (Standard)
28	499423	Pin-Piston	118	497466	Jet-Main (High Altitude)
29	499424	Rod-Connecting	121	498260	Kit-Carburetor Overhaul
32	691664	Screw (Connecting Rod)	125	498170	Carburetor
32A	695759	Screw (Connecting Rod)	127	694468	Ø Plug-Welch
33	262651	Valve-Exhaust	130	696564	Valve-Throttle
34	262652	Valve-Intake	133	398187	Float-Carburetor

KEY NO.	PART NO.	DESCRIPTION	KEY NO.	PART NO.	DESCRIPTION
134	398188	Ø Valve-Needle/Seat	616	698801	Crank-Governor
137	693981	Ø‡ Gasket-Float Bowl	617	270344	•Ø‡ O-Ring (Intake Manifold)
159	691753	Bracket-Air Cleaner Primer	621	692310	Switch-Stop
163	272653	•Ø‡ Gasket-Air Cleaner	633	691321	Ø‡ Seal-Throttle Shaft
187	791766	Line-Fuel (Cut to Length)	635	66538	Boot-Spark Plug
188	693399	Screw (Control Bracket)	668	493823	• Spacer (Includes 2)
190	690940	Screw (Fuel Tank)	670	692294	Spacer-Fuel Tank
202	691829	Link-Mechanical Governor	684	690345	Screw (Breather Passage Cover)
209	699056	Spring-Governor	689	691855	Spring-Friction
222	791128	Bracket-Control	718	690959	Pin-Locating
227	690783	Control Lever-Governor	741	790345	Gear-Timing
276	271716	Ø‡ Sealing Washer	745	691648	Screw (Brake)
287	690940	Screw (Dipstick Tube)	842	691031	• Seal-O Ring (Dipstick Tube)
300	692038	Muffler	847	692047	Assembly-Dipstick/Tube
304	695892	Housing-Blower	851	493880	Terminal-Spark Plug
305	691108	Screw (Blower Housing)	868	697338	Seal-Valve
306	690450	Shield-Cylinder	869	691155	Seat-Valve (Intake)
307	690345	Screw (Cylinder Shield)	870	690380	Seat-Valve (Exhaust)
324	695161	Cup/Screen Assembly	871	262001	Bushing-Guide (Exhaust)
332	690662	Nut (Flywheel)		63709	Bushing-Guide (Intake)
333	802574	Armature-Magneto	921	698587	Cover-Blower Housing
334	691061	Screw (Armature Magneto)	922	692135	Spring-Brake
337	802592	Plug-Spark	923	695891	Brake
356	692390	Wire-Stop	957	397974	Cap-Fuel Tank
358	497316	Engine Gasket Set	966	792040	Base-Air Cleaner Primer
363	19069	Flywheel Puller	968	692298	Cover-Air Cleaner
365	692524	Screw (Carburetor)	969	690700	Screw (Blower Cover)
383	89838	Wrench-Spark Plug	970	691669	Screw (AC Primer Bracket)
404	690272	Washer (Governor Crank)	972	699374	Tank-Fuel
425	690670	Screw (Air Cleaner Cover)	975	493640	Bowl-Float
443	692523	Screw (AC Primer Base)	976	496115	Primer-Carburetor
445	491588	Filter-Air Cleaner Cartridge	977	498261	Set-Carburetor Gasket
456	692299	Plate-Pawl Friction	1036	792156	Label-Emissions
459	281505	Pawl-Ratchet	1059	692311	Kit-Screw/Washer
505	691251	Nut (Gov. Control Lever)	1210	498144	Pulley/Spring Assy. (Pulley)
523	499621	Dipstick	1211	498144	Pulley/Spring Assy. (Spring)
524	692296	• Seal-Dipstick Tube	1329	122K02-0525	Replacement Engine
525	495265	Tube-Dipstick	1330	270962	Repair Manual
529	691923	Grommet	- -	398067	Spark Arrester (available accessory)
562	691119	Bolt (Gov. Control Lever)			
564	698589	Screw (Control Cover)			
584	697734	Cover-Breather Passage			
585	691879	• Gasket-Breather Passage			• Included in Engine Gasket Set, Key No. 358
592	690800	Nut (Rewind Starter)			
597	691696	Screw (Pawl Friction Plate)			Ø Included in Carb. Overhaul Kit, Key No. 121
601	95162	Clamp-Hose			‡ Included in Carb. Gasket Set, Key No. 977
604	698588	Cover-Control			
608	497680	Starter-Rewind			
613	691340	Screw (Muffler)			
615	690340	Retainer-Governor Shaft			

NOTE: All component dimensions given in U.S. inches. 1 inch = 25.4 mm