

Owner's Manual



ROTARY LAWN MOWER

675 Series Briggs & Stratton Engine

Power-Propelled

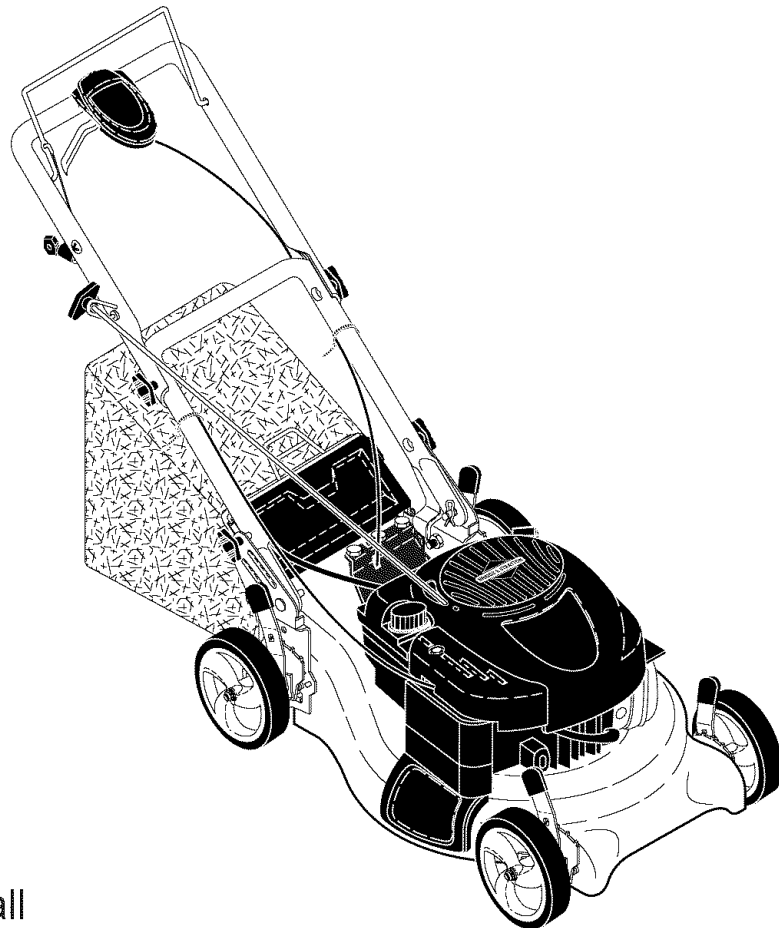
Electric Start

21" Multi-Cut

Model No.

917.370770

• Español, p. 21



CAUTION:

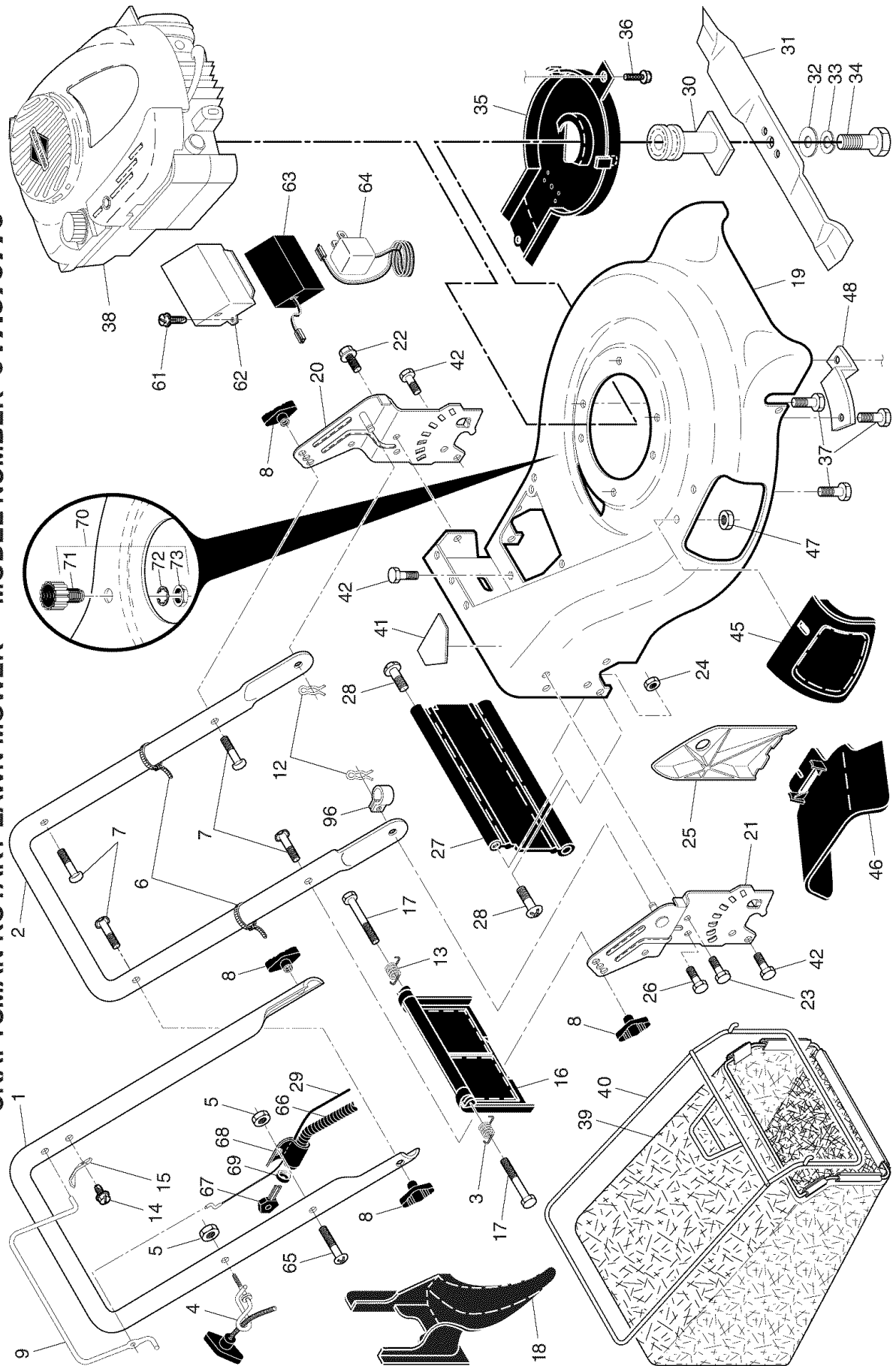
Read and follow all
Safety Rules and Instructions
before operating this equipment

Sears, Roebuck and Co., Hoffman Estates, IL 60179 U.S.A.

Visit our Craftsman website: www.sears.com/craftsman

REPAIR PARTS

CRAFTSMAN ROTARY LAWN MOWER -- MODEL NUMBER 917.370770



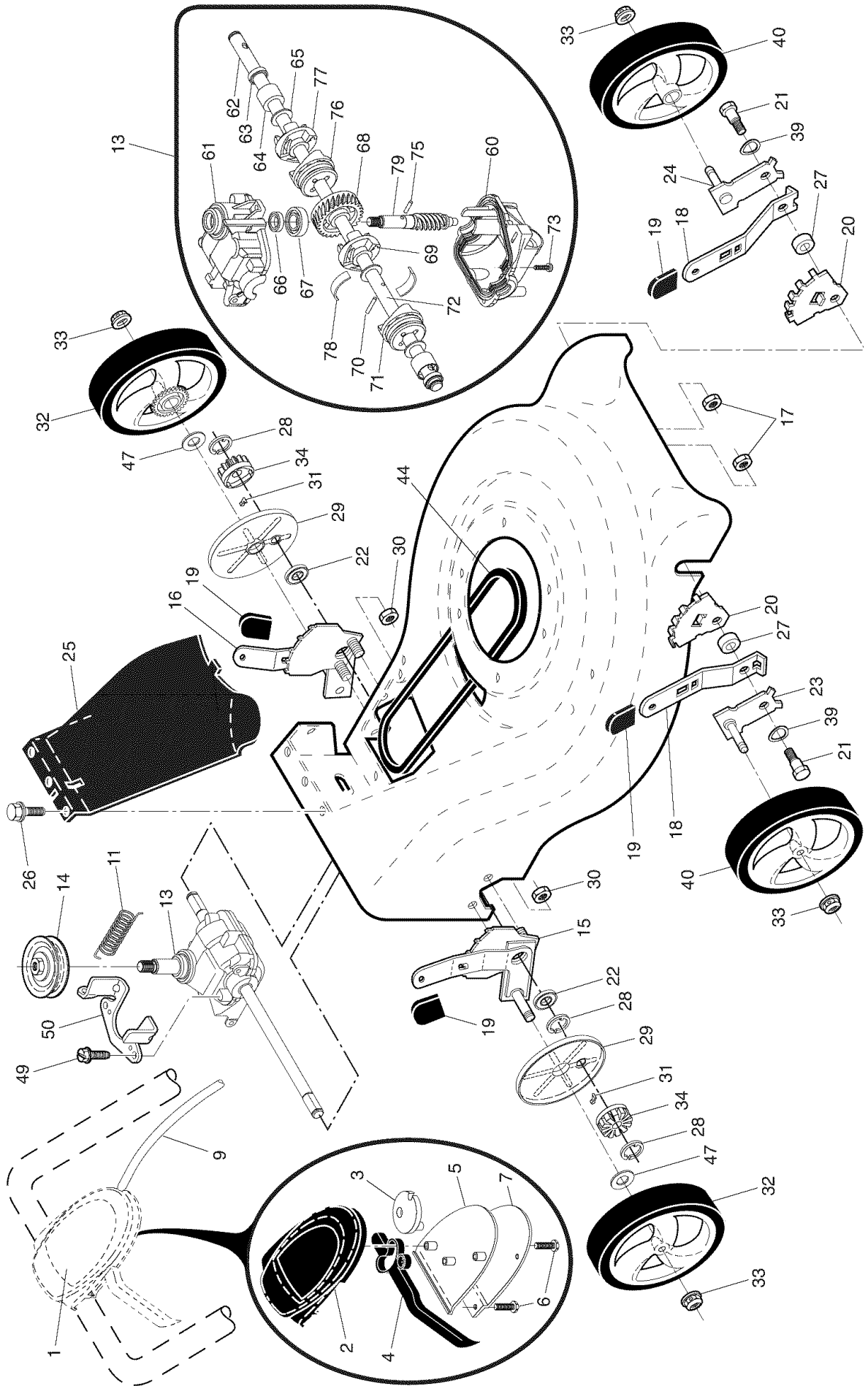
CRAFTSMAN ROTARY LAWN MOWER - - MODEL NUMBER 917.370770

KEY NO.	PART NO.	DESCRIPTION	KEY NO.	PART NO.	DESCRIPTION	KEY NO.	PART NO.	DESCRIPTION
1	194577X479	Handle, Upper	26	163409	Screw #12 x 5/8	61	163409	Screw
2	193664X479	Handle, Lower	27	192876	Skirt, Rear	62	408002	Box, Battery
3	405416	Spring, Rear Door, RH	28	88652	Screw, Hinge 1/4-20 x 1.25	63	189589	Battery
4	194788	Rope Guide	29	195948	Cable, Operator Presence	64	190097	Charger, Battery
5	132004	Nut, Hex, with Lockwasher Insert 1/4-20	30	189179	Blade Adapter / Pulley	65	186159	Screw
6	66426	Wire, Tie	31	406706	Blade, 21"	66	193325	Wiring Harness
7	191574	Bolt, Handle 5/16-18 x 2-5/8	32	851074	Washer	67	180331	Key
8	189713X428	Knob, Handle	33	850263	Washer, Lock	68	194953	Key Start Switch (Includes Key)
9	194580X428	Control Bar	34	851084	Bolt, Hex Head	69	194848	Cap Nut
12	51793	Cotter, Hairpin	35	405843	Debris Shield	70	415086	Water Washout Assembly
13	405415	Spring, Rear Door, LH	36	192325	Bolt	71	417961	Fitting, Water Washout
14	750634	Screw	37	150406	Bolt, Engine	72	415585	Washer, Lock, Internal Tooth
15	850733X004	Bracket, Upstop	38	- - -	Engine, Briggs & Stratton, Model Number 126T05-1070-B1 (See Breakdown)	73	415586	Locknut, Hex, with O-Ring
16	401815X428	Rear Door Assembly	39	407533	Grassbag	96	197991	Clip, Cable
17	184193	Bolt, Rear Door	40	411951	Frame, Grassbag	- -	404764	Warning Decal (not shown)
18	198170	Plug, Mulcher	41	404763	Danger Decal	- -	417173	Owner's Manual
19	417198	Kit, Housing	42	54583	Screw	Available accessories (not included with mower):		
20	192980X479	Handle Bracket Assembly, LH	45	183058X428	Mulcher Door Assembly	- -	71 33623	Gas Can
21	192979X479	Handle Bracket Assembly, RH	46	169699X428	Discharge Guard	- -	71 33500	(2.5 Gallon Container)
22	150078	Screw, Hex Washer Head	47	88349	Nut, Hex	- -	71 33000	Fuel Stabilizer
23	163183	Bolt, Hex Head 5/16-18 x 5/8	48	188839X004	Mounting Bracket, Debris Shield	- -	71 33000	SAE 30W Oil
24	73800500	Nut, Hex, with Lockwasher Insert 5/16-18	58	182003	Clip, Wireform (Packaging)	(20 Ounce Bottle)		
25	161333	Baffle, Side						

NOTE: All component dimensions given in U.S. inches. 1 inch = 25.4 mm.

IMPORTANT: Use only Original Equipment Manufacturer (O.E.M.) replacement parts. Failure to do so could be hazardous, damage your lawn mower and void your warranty.

CRAFTSMAN ROTARY LAWN MOWER -- MODEL NUMBER 917.370770

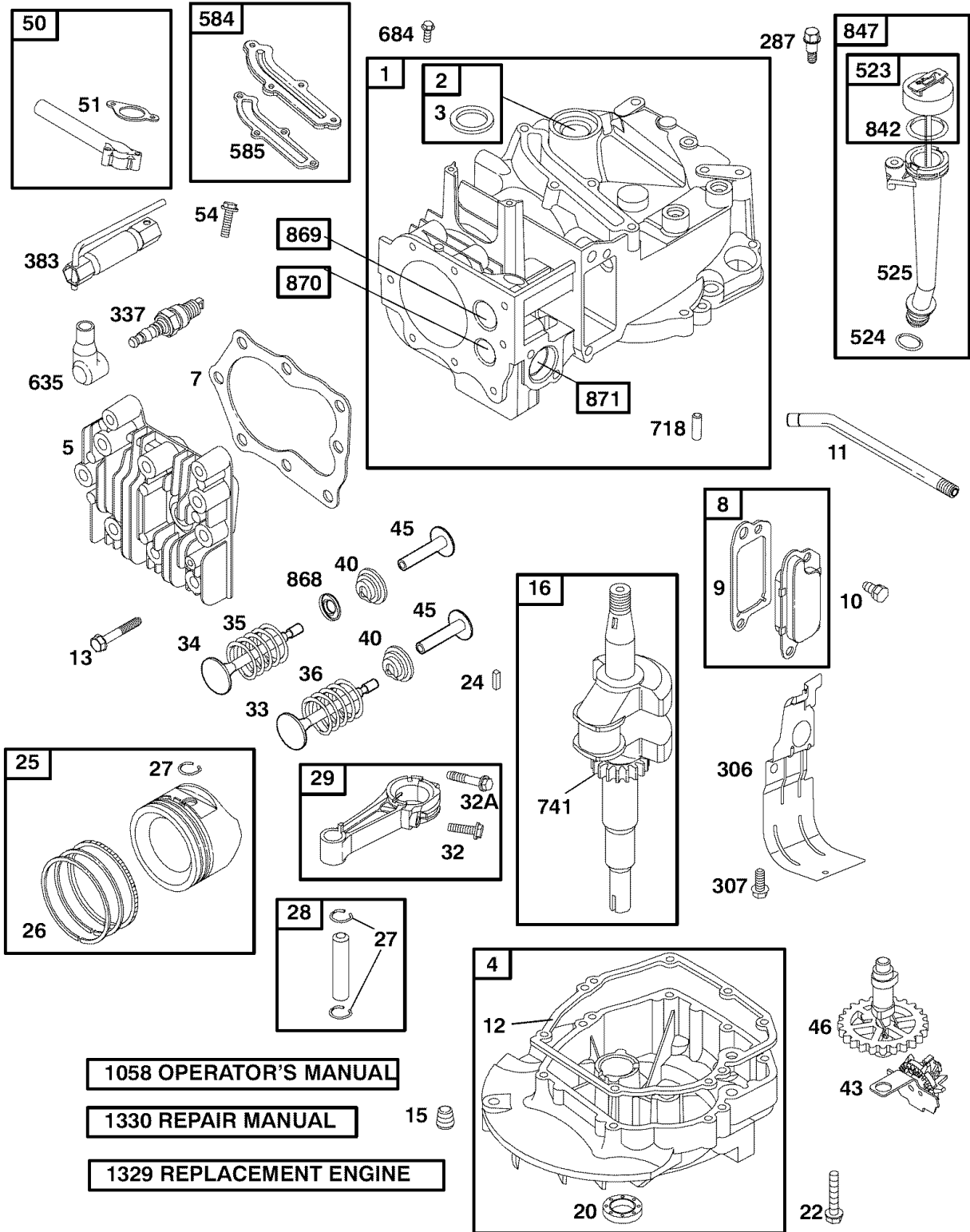


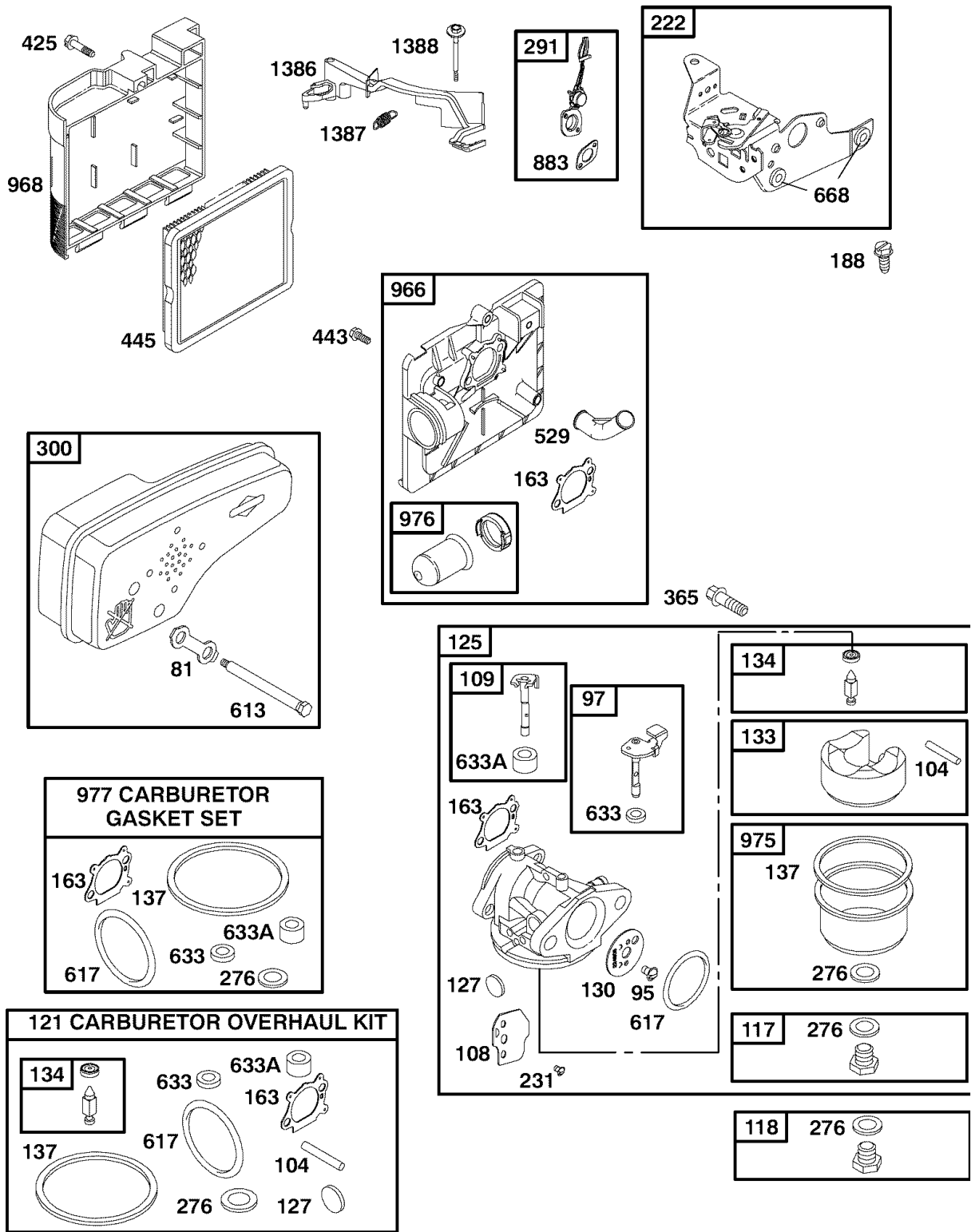
CRAFTSMAN ROTARY LAWN MOWER - - MODEL NUMBER 917.370770

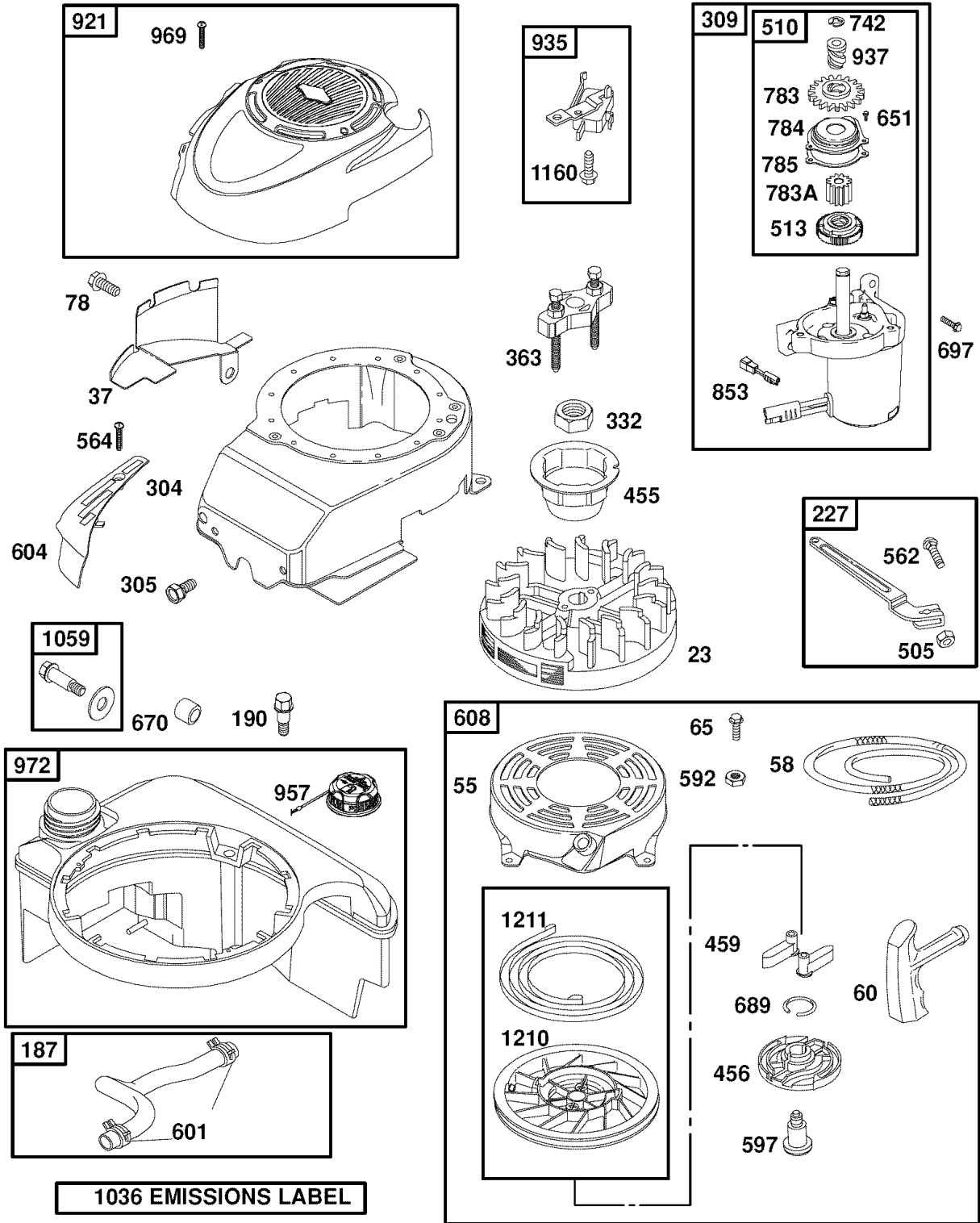
KEY NO.	PART NO.	DESCRIPTION	KEY NO.	PART NO.	DESCRIPTION
1	406254	Drive Control Assembly (Includes Cable)	31	404845	Pawl, Drive
2	406260X428	Cover, Top	32	407756X427	Wheel & Tire Assembly, Rear
3	406282	Pulley	33	409148	Nut, Flangelock 3/8-16
4	188281	Lever, Drive Control	34	404835	Pinion
5	406261X428	Cover, Bottom	39	401630	Washer, Curved, Cylindrical
6	181698	Screw	40	407754X427	Wheel & Tire Assembly, Front
7	400235X479	Mounting Bracket	44	406580	V-Belt
9	406258	Cable, Drive	47	67725	Washer
11	406558	Spring, Return	49	163409	Screw
13	404844	Gear Case Assembly, Complete	50	404832X004	Belt Keeper
14	193443	Pulley, Drive	60	412747	Case, Lower
15	409073	Kit, Wheel Adjuster Assembly, RH (Includes Knob and Bearing)	61	412736	Case, Upper
16	409074	Kit, Wheel Adjuster Assembly, LH (Includes Knob and Bearing)	62	412745	Shaft, Output, Long
17	166785	Nut, Hex	63	183508	Seal, Output Shaft
18	401621X004	Spring, Selector	64	183511	Bushing
19	701037	Knob, Selector Spring	65	183509	Washer
20	407494X005	Bracket, Wheel Adjusting	66	183514	Seal, Worm Shaft
21	401638	Bolt, Shoulder, Hex Head	67	183506	Bearing, Ball
22	191039	Bearing, Ball	68	412742	Gear, 28 Teeth
23	401175X004	Axle Arm Assembly, RH	69	412740	Movable Dog Clutch, LH
24	401174X004	Axle Arm Assembly, LH	70	412741	Pin, Worm Shaft
25	408001X428	Cover Drive	71	412739	Fixed Dog Clutch, LH
26	750634	Screw, Threaded, Rolled #10-25 x .50	72	412738	Shaft, Output, Short
27	401629	Spacer	73	183513	Screw, Case
28	12000058	E-Ring 7/16	75	412746	Pin, Output Shaft
29	189403	Cover, Dust, Wheel	76	412743	Movable Dog Clutch, RH
30	73800400	Nut, Hex	77	412744	Fixed Dog Clutch, RH
			78	410731	Spring, Leaf
			79	412737	Shaft, Worm

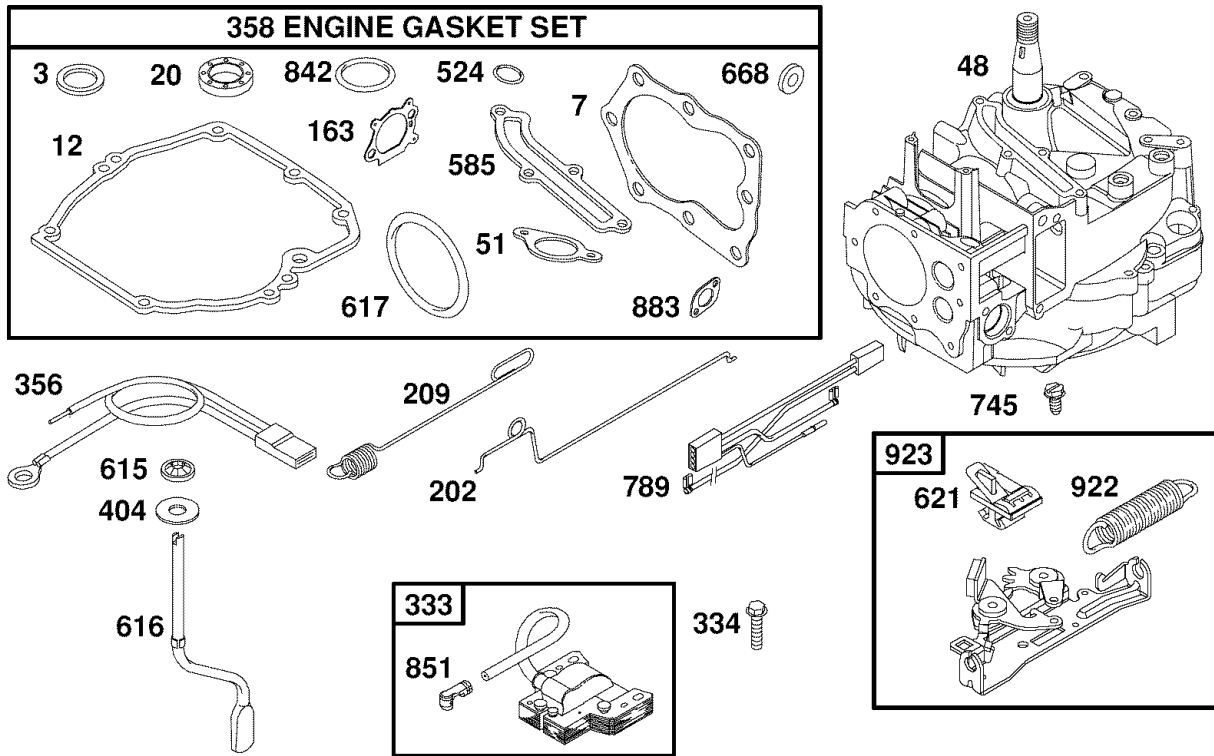
NOTE: All component dimensions given in U.S. inches. 1 inch = 25.4 mm.

IMPORTANT: Use only Original Equipment Manufacturer (O.E.M.) replacement parts. Failure to do so could be hazardous, damage your lawn mower and void your warranty.









Engine Power Rating Information

The gross power rating for individual gas engine models is labeled in accordance with SAE (Society of Automotive Engineers) code J11940 (Small Engine Power & Torque Rating Procedure), and rating performance has been obtained and corrected in accordance with SAE J1995 (Revision 2002-5). Actual gross engine power will be lower and is affected by, among other things, ambient operating conditions and engine-to-engine variability. Given both the wide array of products on which engines are placed and the variety of environmental issues applicable to operating the equipment, the gas engine will not develop the rated gross power when used in a given piece of power equipment (actual "on-site" or net horsepower). This difference is due to a variety of factors including, but not limited to, accessories (air cleaner, exhaust, charging, cooling, carburetor, fuel pump, etc.), application limitations, ambient operating conditions (temperature, humidity, altitude), and engine-to-engine variability. Due to manufacturing and capacity limitations, Briggs & Stratton may substitute an engine of higher rated power for this Series engine.

KEY PART NO.	PART NO.	DESCRIPTION	KEY PART NO.	PART NO.	DESCRIPTION
1	697322	Cylinder Assembly	97	696565	Shaft-Throttle
2	399269	Kit-Bushing/Seal	104	691242	Ø Pin-Float Hinge
3	299819s	• Seal-Oil (Magneto Side)	108	790844	Valve-Choke
4	493279	Sump-Engine	109	790843	Shaft-Choke
5	691160	Head-Cylinder	117	691428	Jet-Main (Standard)
7	692249	• Gasket-Cylinder Head	118	498977	Jet-Main (High Altitude)
8	695250	Breather Assembly	121	498260	Kit-Carburetor Overhaul
9	696125	Gasket-Breather	125	794304	Carburetor
10	691125	Screw (Breather Assembly)	127	694468	Ø Plug-Welch
11	691781	Tube-Breather	130	696564	Valve-Throttle
12	692232	• Gasket-Crankcase	133	398187	Float-Carburetor
13	690912	Screw (Cylinder Head)	134	398188	Ø Valve-Needle/Seat
15	691680	Plug-Oil Drain	137	693981	Ø‡ Gasket-Float Bowl
16	691450	Crankshaft	163	272653s•Ø‡	Gasket-Air Cleaner
20	399781s	• Seal-Oil (PTO Side)	187	791873	Line-Fuel (Molded)
22	691092	Screw (Engine Sump)	188	693399	Screw (Control Bracket)
23	691987	Flywheel	190	690940	Screw (Fuel Tank)
24	222698s	Key-Flywheel	202	691829	Link-Mechanical Governor
25	790359	Piston Assembly (Standard Size)	209	699056	Spring-Governor
	791326	Piston Assembly (.020" Oversize)	222	793754	Bracket-Control
			227	690783	Control Lever-Governor
26	790360	Ring Set (Standard)	231	691636	Screw (Choke Valve)
	791324	Ring Set (.020" Oversize)	276	271716	Ø‡ Sealing Washer
27	691866	Lock-Piston Pin	287	690940	Screw (Dipstick Tube)
28	499423	Pin-Piston	291	790830	Thermostat
29	499424	Rod-Connecting	300	790828	Muffler
32	691664	Screw (Connecting Rod)	304	791135	Housing-Blower
32A	695759	Screw (Connecting Rod)	305	691108	Screw (Blower Housing)
33	262651s	Valve-Exhaust	306	790836	Shield-Cylinder
34	262652s	Valve-Intake	307	690345	Screw (Cylinder Shield)
35	691270	Spring-Valve (Intake)	309	795092	Motor-Starter
36	691270	Spring-Valve (Exhaust)	332	690662	Nut (Flywheel)
37	694086	Guard-Flywheel	333	802574	Armature-Magneto
40	692194	Retainer-Valve	334	691061	Screw (Armature Magneto)
43	691997	Slinger-Governor/Oil	337	802592s	Plug-Spark
45	690548	Tappet-Valve	356	692390	Wire-Stop
46	691449	Camshaft	358	497316	Engine Gasket Set
48	792741	Short Block	363	19069	Flywheel Puller
50	794305	Manifold-Intake	365	692524	Screw (Carburetor)
51	794306	• Gasket-Intake	383	89838s	Wrench-Spark Plug
54	691650	Screw (Intake Manifold)	404	690272	Washer (Governor Crank)
55	691421	Housing-Rewind Starter	425	690670	Screw (Air Cleaner Cover)
58	697316	Rope-Starter (Cut to Required Length)	443	692523	Screw (Air Cleaner Primer Base)
60	281434s	Grip-Starter Rope	445	491588s	Filter-Air Cleaner Cartridge
65	690837	Screw (Rewind Starter)	455	791960	Cup-Flywheel
78	691108	Screw (Flywheel Guard)	456	692299	Plate-Pawl Friction
81	691740	Lock-Muffler Screw	459	281505s	Pawl-Ratchet
			505	691251	Nut (Gov. Control Lever)

KEY PART NO.	PART NO.	DESCRIPTION	KEY PART NO.	PART NO.	DESCRIPTION
510	795093	Drive-Starter	883	691881	• Gasket-Exhaust
513	692358	Clutch-Drive	921	790701	Cover-Blower Housing
523	499621	Dipstick	922	691831	Spring-Brake
524	692296	• Seal-Dipstick Tube	923	691994	Brake
525	495265	Tube-Dipstick	935	398758	Switch-Interlock
529	691923	Grommet	937	691325	Spline-Starter
562	691119	Bolt (Gov. Control Lever)	957	699985	Cap-Fuel Tank
564	698589	Screw (Control Cover)	966	792040	Base-Air Cleaner Primer
584	697734	Cover-Breather Passage	968	692298	Cover-Air Cleaner
585	691879	• Gasket-Breather Passage	969	690700	Screw
592	690800	Nut (Rewind Starter)			(Blower Housing Cover)
597	691696	Screw (Pawl Friction Plate)	972	699374	Tank-Fuel
601	791850	Clamp-Hose	975	493640	Bowl-Float
604	790703	Cover-Control	976	496115	Primer-Carburetor
608	497680	Starter-Rewind	977	498261	Set-Carburetor Gasket
613	790833	Screw (Muffler)	1036	---	Label-Emissions (Available from an Authorized Briggs & Stratton Service Dealer)
615	690340	Retainer-Governor Shaft			
616	698801	Crank-Governor			
617	270344s	• Ø‡ Seal-O Ring (Intake Manifold)	1058	MS3260	Operator's Manual
621	692310	Switch-Stop	1059	692311	Kit-Screw/Washer
633	691321	Ø‡ Seal-Choke/Throttle Shaft	1160	691627	Screw (Interlock Switch)
633A	693867	Ø‡ Seal-Choke/Throttle Shaft	1210	498144	Assembly-Pulley/Spring (Pulley)
635	66538s	Boot-Spark Plug	1211	498144	Assembly-Pulley/Spring (Spring)
651	691660	Screw (Starter Gear Cover)			
668	493823	• Spacer (Includes 2)	1329	126T07-0662	Replacement Engine (Replacement engine listed is not available in the State of California. Repair with individual parts.)
670	692294	Spacer-Fuel Tank			
684	690345	Screw (Breather Passage Cover)			
689	691855	Spring-Friction			
697	691127	Screw (Drive Cap)	1330	270962	Repair Manual
718	690959	Pin-Locating	1386	790848	Vane-Air
741	790345	Gear-Timing	1387	790849	Spring-Air Vane
742	93941	Retainer-E Ring	1388	790850	Screw (Air Vane)
745	691648	Screw (Brake)			
783	691269	Gear-Pinion	--	398067	Spark Arrester (available accessory)
783A	691918	Gear-Pinion			
784	795095	Cover-Starter Gear			
785	692352	Gasket-Starter Cover			• Included in Engine Gasket Set, Key Number 358
789	696547	Harness-Wiring			
842	691031	• Seal-O Ring (Dipstick Tube)			
847	692047	Assembly-Dipstick/Tube	Ø		Included in Carburetor Overhaul Kit, Key Number 121
851	493880s	Terminal-Spark Plug			
853	695268	Adapter-Wire			
868	697338	Seal-Valve	‡		Included in Carburetor Gasket Set, Key Number 977
869	691155	Seat-Valve (Intake)			
870	690380	Seat-Valve (Exhaust)			
871	262001	Bushing-Guide (Exhaust)			
	63709	Bushing-Guide (Intake)			

NOTE: All component dimensions given in U.S. inches. 1 inch = 25.4 mm