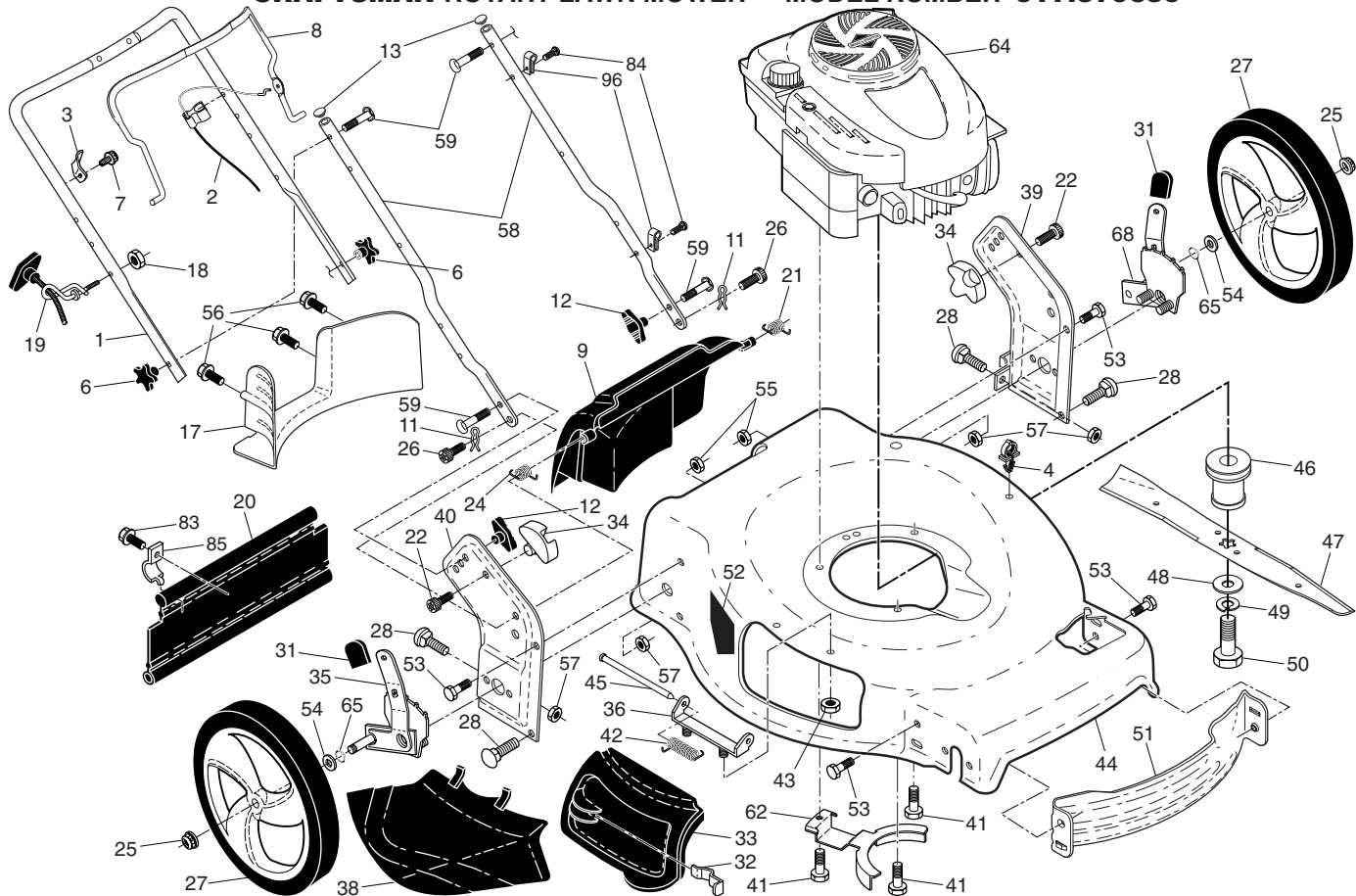


# CRAFTSMAN ROTARY LAWN MOWER -- MODEL NUMBER 917.370650



## CRAFTSMAN ROTARY LAWN MOWER - - MODEL NUMBER 917.370650

KEY NO.	PART NO.	DESCRIPTION	KEY NO.	PART NO.	DESCRIPTION	KEY NO.	PART NO.	DESCRIPTION
1	427615X479	Upper Handle	33	423356	Mulcher Door	56	17411312	Screw, Hex Washer Head #13 x 3/4
2	420939	Engine Zone Control Cable	34	419946X615	Pivot Bracket	57	155377	Locknut, Hex 5/16-18
3	429930X004	Bracket, Upstop	35	431140	Wheel Adjuster Assembly, RH (Includes Knob)	58	437517X479	Bar, Lower Handle
4	145006	Guide, Cable	36	175735	Hinge Bracket Assembly	59	191574	Handle Bolt
6	182398	Handle Knob, Star	38	419942X428	Discharge Deflector	62	431913X004	Belt Retainer
7	750634	Screw #10-24 x 1/2	39	438525X479	Handle Bracket, LH	64	- - -	Engine, Briggs & Stratton, Model Number 126T02-1525-B1 (See Breakdown)
8	427612X428	Control Bar	40	438526X479	Handle Bracket, RH	65	197480	O-Ring
9	421084	Rear Door Assembly	41	150406	Screw, Dogpoint 3/8-16 x 1-1/8	68	431141	Wheel Adjuster Assembly, LH (Includes Knob)
11	425575	Hairpin	42	193000	Spring, Torsion	83	750097	Screw
12	189713X428	Handle Knob, Standard	43	191730	Nut, Hex, Nylock	84	428124	Fastener, Push
13	437516	Plug, Lower Handle Bar	44	431553	Kit, Lawn Mower Housing	85	429801X004	Bracket, Skirt Mounting
17	427120X428	Rear Baffle	45	175650	Rod, Hinge	96	197991	Clip, Cable
18	132004	Keps Locknut 1/4-20	46	421782	Blade Adapter / Pulley	- -	438978	Owner's Manual, English/Spanish
19	194788	Rope Guide	47	420463	Blade, 22"	Available accessories not included with mower:		
20	429157	Rear Skirt	48	851074	Washer, Hardened	- -	71 33623	Gas Can (2.5 Gallon Container)
21	419949	Spring, Rear Door, LH, Black	49	850263	Washer, Helical	- -	71 33500	Fuel Stabilizer
22	141841	Screw, Pan Head, Torx #20	50	851084	Screw, Machine, Hex Head 3/8-24 x 1-3/8 Grade 8	- -	71 33000	SAE 30W Oil (20 Ounce Bottle)
24	419948	Spring, Rear Door, RH, Grey	51	430599	Front Baffle			
25	409149	Nut, Hex, Flanged	52	404763	Decal, Danger			
26	419945	Screw, Rear Door/Handle Pivot	53	17000510	Screw, Hex Head 1/4-20 x 1/2			
27	431880X460	Wheel & Tire Assembly, Rear	54	88348	Washer, Flat			
28	72270505	Bolt, Carriage 5/16-18 x 5/8	55	191730	Nut, Hex, Flanged 1/4-20			
31	701037	Selector Knob						
32	419944	Latch, Mulcher Door						

**NOTE:** All component dimensions given in U.S. inches. 1 inch = 25.4 mm.

**IMPORTANT:** Use only Original Equipment Manufacturer (O.E.M.) replacement parts. Failure to do so could be hazardous, damage your lawn mower and void your warranty.



## CRAFTSMAN ROTARY LAWN MOWER - - MODEL NUMBER 917.370650

KEY NO.	PART NO.	DESCRIPTION	KEY NO.	PART NO.	DESCRIPTION
1	424919	Drive Control Cable	28	423322	Drive Cover
7	194185X428	Bar, Drive Control	29	409148	Locknut, Hex
11	194231X460	Wheel & Tire Assembly, Front	32	194018	Drive Pulley
12	12000058	E-Ring	33	196853	V-Belt
13	403849	Pinion	35	431145	Wheel Adjuster Assembly, LH (Includes Bearing)
14	189403	Dust Cover	36	424741	Gear Case Assembly, Complete
15	404845	Pawl, Drive	38	191730	Locknut 1/4-20
16	67725	Washer, Flat 3/8	40	406558	Spring
17	191039	Bearing, Wheel Adjuster	41	431143	Wheel Adjuster Assembly, RH (Includes Bearing)
18	701037	Selector Knob	54	439330	Grassbag
25	430458X004	Belt Guide Bracket	57	419951	Frame, Grassbag
26	163409	Screw, Hi-Lo Thread #12 x 5/8			
27	175262	Pan Head Tapping Screw #10-24 x 2-3/4			

**NOTE:** All component dimensions given in U.S. inches. 1 inch = 25.4 mm.

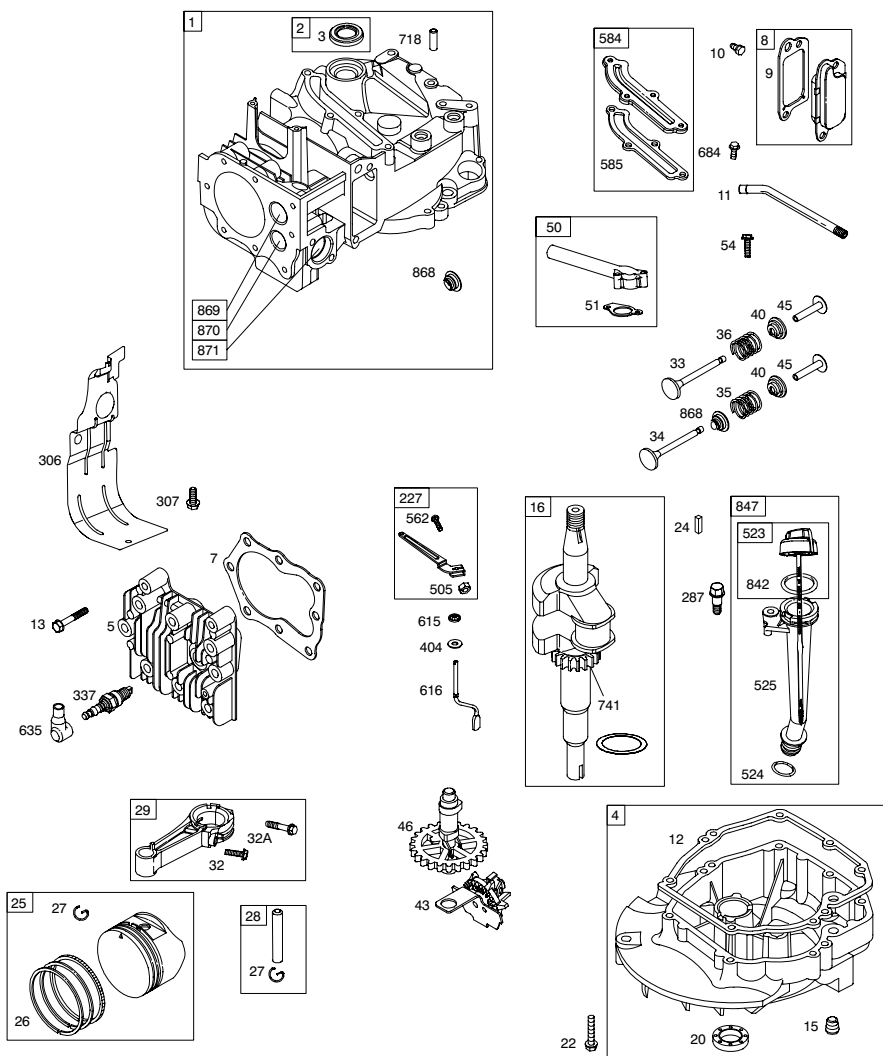
**IMPORTANT:** Use only Original Equipment Manufacturer (O.E.M.) replacement parts. Failure to do so could be hazardous, damage your lawn mower and void your warranty.

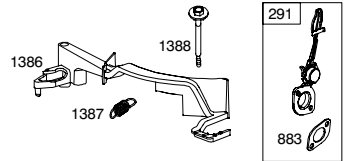
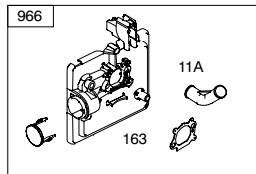
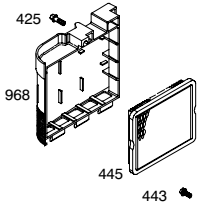
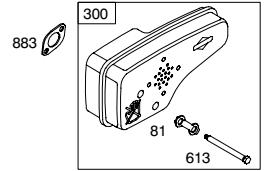
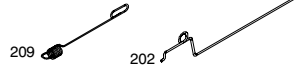
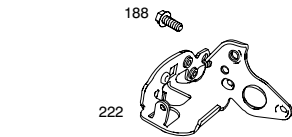
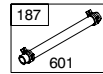
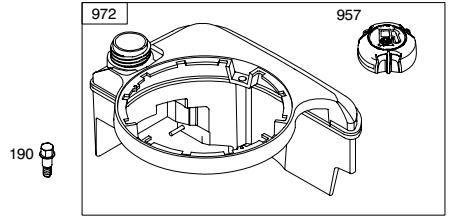
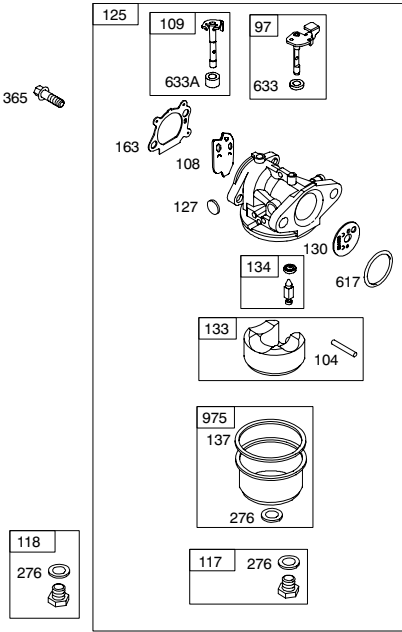
48 SHORT BLOCK

1058 OPERATOR'S MANUAL

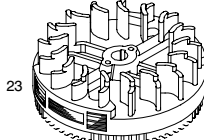
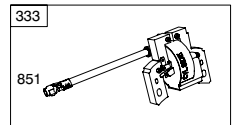
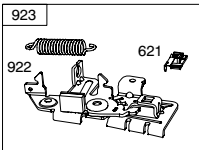
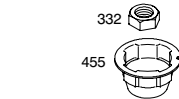
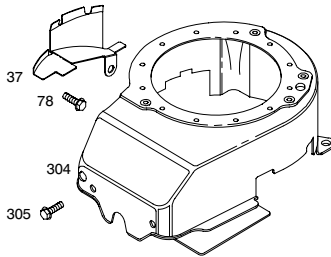
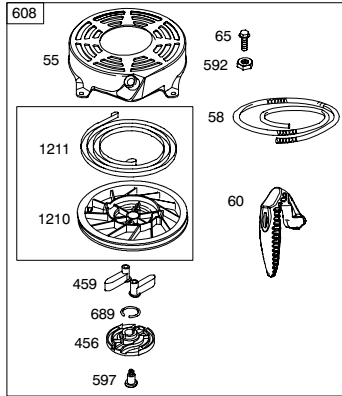
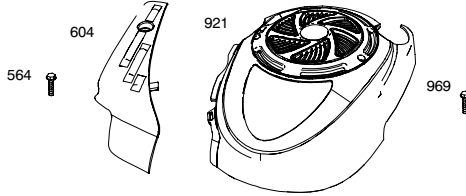
1329 REPLACEMENT ENGINE

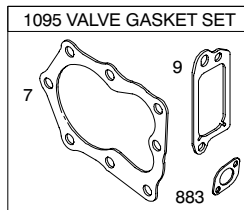
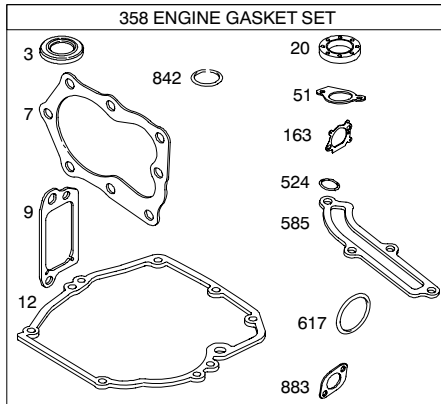
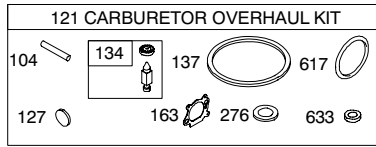
1330 REPAIR MANUAL





1036 EMISSIONS LABEL





**Engine Power Rating Information**

The gross power rating for individual gas engine models is labeled in accordance with SAE (Society of Automotive Engineers) code J11940 (Small Engine Power & Torque Rating Procedure), and rating performance has been obtained and corrected in accordance with SAE J1995 (Revision 2002-5). Actual gross engine power will be lower and is affected by, among other things, ambient operating conditions and engine-to-engine variability. Given both the wide array of products on which engines are placed and the variety of environmental issues applicable to operating the equipment, the gas engine will not develop the rated gross power when used in a given piece of power equipment (actual "on-site" or net horsepower). This difference is due to a variety of factors including, but not limited to, accessories (air cleaner, exhaust, charging, cooling, carburetor, fuel pump, etc.), application limitations, ambient operating conditions (temperature, humidity, altitude), and engine-to-engine variability. Due to manufacturing and capacity limitations, Briggs & Stratton may substitute an engine of higher rated power for this Series engine.



KEY NO.	PART NO.	DESCRIPTION	KEY NO.	PART NO.	DESCRIPTION
1	697322	Cylinder Assembly	50	794305	Manifold-Intake
2	399269	Kit-Bushing / Seal (Magneto Side)	51	794306	Gasket-Intake
3	299819s	Seal-Oil (Magneto Side)	54	691650	Screw (Intake Manifold)
4	493279	Sump-Engine	55	691421	Housing-Rewind Starter
5	691160	Head-Cylinder	58	697316	Rope-Starter
7	692249	Gasket-Cylinder Head	60	795426	Grip-Starter Rope
8	695250	Breather Assembly	65	690837	Screw (Rewind Starter)
9	699472	Gasket-Breather	78	691108	Screw (Flywheel Guard)
10	691125	Screw (Breather Assembly)	81	691740	Lock-Muffler Screw
11	691781	Tube-Breather	97	696565	Shaft-Throttle
11A	691923	Tube-Breather (Air Cleaner Primer Base)	104	691242	Pin-Float Hinge
12	692232	Gasket-Crankcase	108	795935	Valve-Choke
13	690912	Screw (Cylinder Head)	109	795936	Shaft-Choke
15	691680	Plug-Oil Drain	117	498977	Jet-Main (Standard)
16	797017	Crankshaft	118	694975	Jet-Main (High Altitude)
20	399781s	Seal-Oil (PTO Side)	121	498260	Kit-Carburetor Overhaul
22	691092	Screw (Crankcase Cover / Sump)	125	794304	Carburetor
23	691987	Flywheel	127	694468	Plug-Welch
24	222698s	Key-Flywheel	130	696564	Valve-Throttle
25	797302	Piston Assembly (Standard)	133	398187	Float-Carburetor
	797302	Piston Assembly (.020" Oversize)	134	398188	Kit-Needle / Seat
26	797304	Ring Set (Standard)	137	796610	Gasket-Float Bowl
	797305	Ring Set (.020" Oversize)	163	795629	Gasket-Air Cleaner
27	691588	Lock-Piston Pin	187	791766	Line-Fuel (Cut To Required Length)
28	298909	Pin-Piston	188	693999	Screw (Control Bracket)
29	797306	Rod-Connecting	190	690940	Screw (Fuel Tank)
32	691664	Screw (Connecting Rod) (1/4-28 x 1.09)	202	691829	Link-Mechanical Governor
32A	695759	Screw (Connecting Rod) (1/4-28 x 1.52)	209	699056	Spring-Governor (No Color)
33	262651s	Valve-Exhaust	222	793754	Bracket-Control
34	262652s	Valve-Intake	227	690783	Lever-Governor Control
35	691270	Spring-Valve (Intake)	276	271716	Washer-Sealing
36	691270	Spring-Valve (Exhaust)	287	690940	Screw (Dipstick Tube)
37	793756	Guard-Flywheel	291	790830	Thermostat
40	692194	Retainer-Valve	300	790828	Muffler
43	691997	Slinger-Governor / Oil	304	790826	Housing-Blower
45	690548	Tappet-Valve	305	691108	Screw (Blower Housing)
46	691449	Camshaft	306	790836	Shield-Cylinder
48	792741	Short Block	307	690345	Screw (Cylinder Shield)
			332	690662	Nut (Flywheel)
			333	790817	Armature-Magneto
			334	691061	Screw (Magneto Armature)
			337	796112s	Plug-Spark
			356	692390	Wire-Stop

<b>KEY NO.</b>	<b>PART NO.</b>	<b>DESCRIPTION</b>	<b>KEY NO.</b>	<b>PART NO.</b>	<b>DESCRIPTION</b>
358	794307	Gasket Set-Engine	869	691155	Seat-Valve (Intake)
365	691688	Screw (Carburetor)	870	690380	Seat-Valve (Exhaust)
404	690272	Washer (Governor Crank)	871	262001	Bushing-Valve Guide (Exhaust Valve)
425	690670	Screw (Air Cleaner Cover)			
443	692523	Screw (Air Cleaner Primer Base)		63709	Bushing-Valve Guide (Intake Valve)
445	491588s	Filter-Air Cleaner Cartridge	883	691881	Gasket-Exhaust
455	791960	Cup-Flywheel	921	796706	Cover-Blower Housing
456	692299	Plate-Pawl Friction	922	692135	Spring-Brake
459	281505s	Pawl-Ratchet	923	796136	Brake
505	691251	Nut (Governor Control Lever)	957	692046	Cap-Fuel Tank
523	499621	Dipstick	966	795259	Base-Air Cleaner Primer
524	692296	Seal- Dipstick Tube	968	692298	Cover-Air Cleaner
525	495265	Tube-Dipstick	969	690700	Screw (Blower Housing Cover)
562	691119	Bolt (Governor Control Lever)			
564	698589	Screw (Control Cover)	972	699374	Tank-Fuel
584	697734	Cover-Breather Passage	975	796611	Bowl-Fuel
585	691879	Gasket-Breather Passage	1036	- - -	Label-Emissions (Available from any Briggs & Stratton Authorized Dealer)
592	690800	Nut (Rewind Starter)			
597	691696	Screw (Pawl Friction Plate)	1058	277039	Operator's Manual
601	791850	Clamp-Hose (Green)	1059	692311	Kit-Screw / Washer (Fuel Tank)
604	790703	Cover-Control	1095	498528	Gasket Set-Valve
608	497680	Starter-Rewind	1210	498144	Pulley / Spring Assembly (Pulley)
613	790833	Screw (Muffler)	1211	498144	Pulley / Spring Assembly (Spring)
615	690340	Retainer-Governor Shaft	1329	126T02-1625-B1	Replacement Engine
616	698801	Crank-Governor	1330	270962	Repair Manual
617	270344s	Seal-O Ring (Intake Manifold)	1386	790848	Vane-Air
621	692310	Switch-Stop (Brake)	1387	790849	Spring-Air Vane
633	691321	Seal-Choke / Throttle Shaft (Throttle Shaft)	1388	790850	Screw (Air Vane)
633A	693867	Seal-Choke / Throttle Shaft (Choke Shaft)	--	398067	Spark Arrester (available accessory)
635	66538s	Boot-Spark Plug			
684	690345	Screw (Breather Passage Cover)			
689	691855	Spring-Friction			Carburetor Overhaul Kit, Key Number 121
718	690959	Pin-Locating			Engine Gasket Set, Key Number 358
741	795755	Gear-Timing			Valve Gasket Set, Key Number 1095
745	691648	Screw (Brake)			
842	691031	Seal-O Ring (Dipstick Tube)			
847	692047	Dipstick / Tube Assembly			
851	493880s	Terminal-Spark Plug			
868	697338	Seal-Valve			

**NOTE:** All component dimensions given in U.S. inches. 1 inch = 25.4 mm