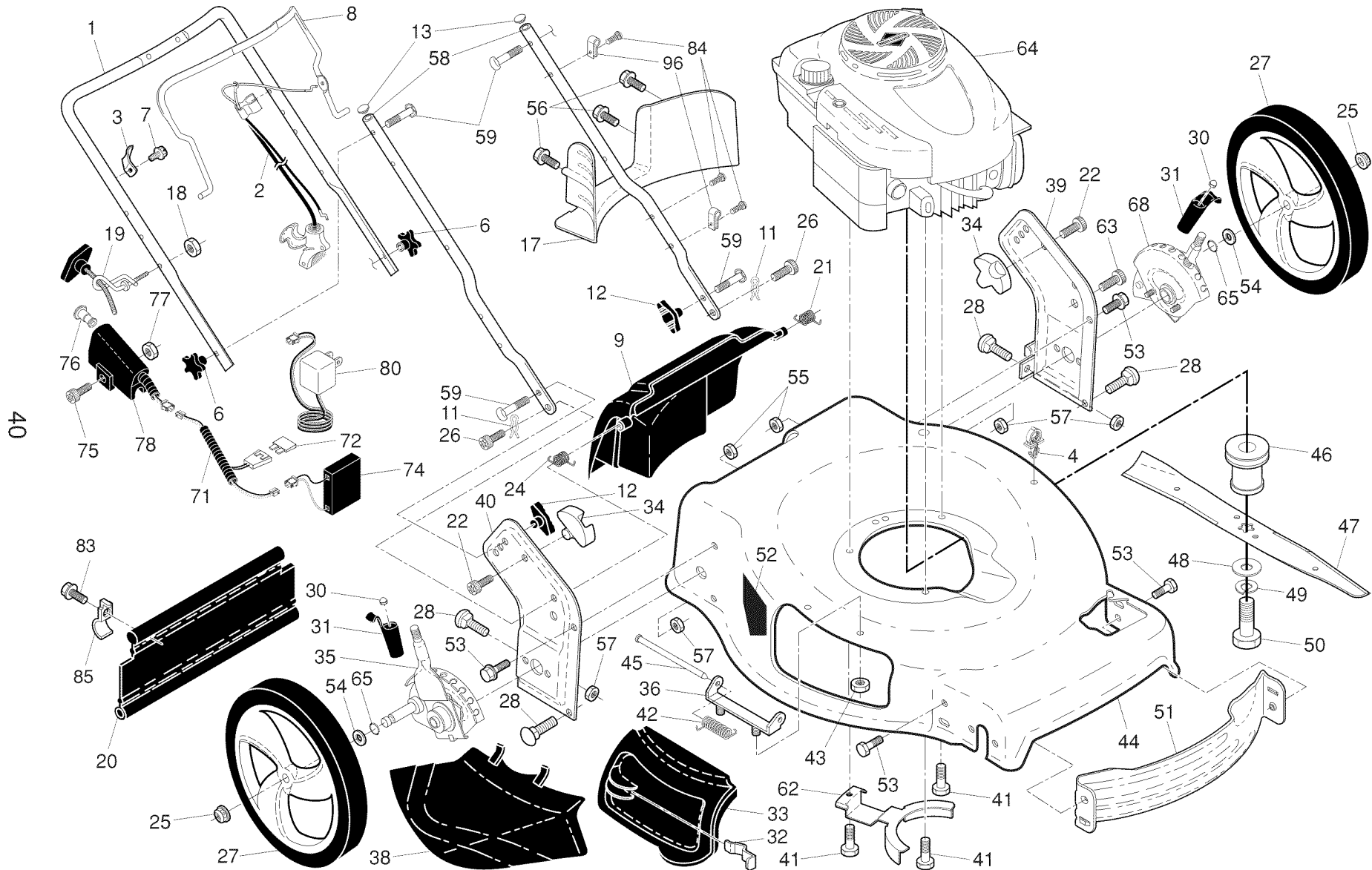


CRAFTSMAN ROTARY LAWN MOWER -- MODEL NUMBER 917.370441



40

REPAIR PARTS

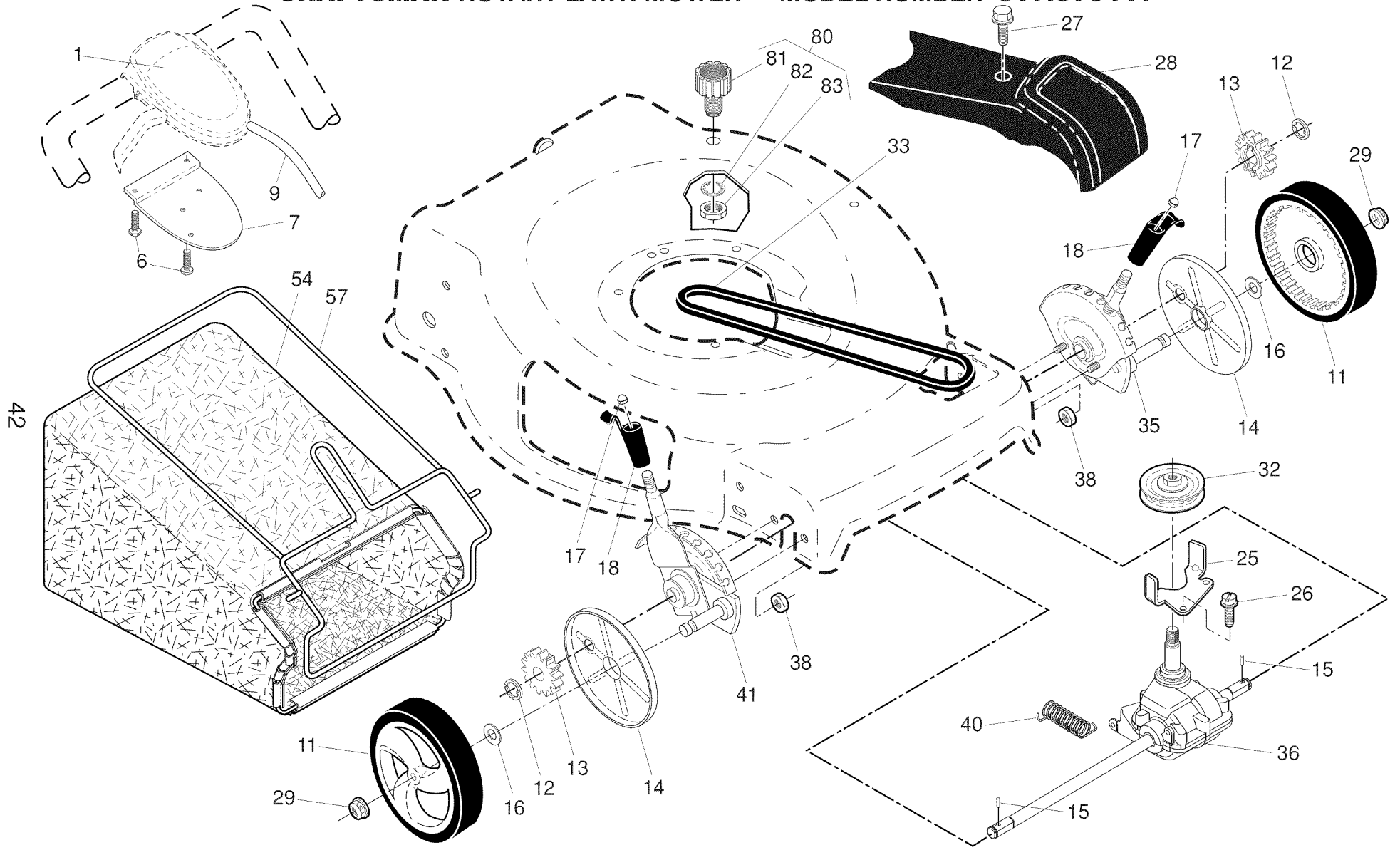
CRAFTSMAN ROTARY LAWN MOWER - - MODEL NUMBER 917.370441

KEY NO.	PART NO.	DESCRIPTION	KEY NO.	PART NO.	DESCRIPTION	KEY NO.	PART NO.	DESCRIPTION
1	427616X479	Upper Handle	35	431131	Kit, Wheel Adjuster, Rear, RH	63	178848	Screw #10-16 x 5/8
2	438385	Cable, Engine Zone Control / Rear Door Prop	36	175735	Hinge Bracket Assembly	64	---	Engine, Briggs & Stratton, Model Number 128M05- 5468-F1 (See Breakdown)
3	429930X004	Bracket, Upstop	38	419942X428	Discharge Deflector	65	197480	O-Ring
4	145006	Guide, Cable	39	581353703	Handle Bracket, LH	68	431134	Kit, Wheel Adjuster, Rear, LH (Includes Red Knob and Pushnut)
6	182398	Handle Knob, Star	40	581353603	Handle Bracket, RH			
7	178848	Screw, Hex Washer Head #10-16 x 5/8	41	150406	Screw, Dogpoint 3/8-16			
8	427611X428	Control Bar	42	193000	Spring, Torsion	71	431009	Warning Harness, Battery
9	430653	Rear Door Assembly	43	191730	Nut, Hex, Flanged 1/4-20	72	425937	Fuse, 40 Amp
11	425575	Hairpin, Door/Handle Pivot	44	431558	Kit, Mower Housing	74	430765	Battery
12	189713X428	Handle Knob, Standard	45	175650	Rod, Hinge	75	446694	Bolt M6 x 40
13	437516	Plug, Lower Handle Bar	46	421782	Blade Adapter / Pulley	76	580915201	Starter Button
17	427120X428	Rear Baffle	47	421825	Blade, 22"	77	446695	Nut, Hex M6
18	132004	Keps Locknut 1/4-20	48	851074	Washer, Hardened	78	580609201	Electric Start Assembly (Includes Switch Housing, Switch & Wiring Harness)
19	194788	Rope Guide	49	850263	Washer, Helical			
20	429157	Rear Skirt	50	851084	Screw, Machine, Hex Head 3/8-24 x 1-3/8 Grade 8			
21	419949	Spring, Rear Door, LH, Black	51	430599	Front Baffle	80	428626	Charger, Battery
22	141841	Screw, Panhead, Torx #20	52	404763	Decal, Danger	83	750097	Screw
24	419948	Spring, Rear Door, RH, Grey	53	170000510	Screw, Semi-Gimlett Point 1/4-20 x 1/2	84	428124	Fastener, Push
25	409149	Nut, Hex, Flanged	54	88348	Washer, Flat	85	429801X004	Mounting Bracket, Skirt
26	419945	Screw, Rear Door/Handle Pivot	55	191730	Nut, Hex	96	197991	Clip, Cable
27	431880X460	Wheel & Tire Assembly, Rear	56	17411312	Screw, Hex Washer Head #13 x 3/4	--	581729196	Owner's Manual, English/Spanish
28	72250505	Bolt, Carriage 5/16-18 x 5/8	57	155377	Nut, Hex			Available accessories not included with mower:
30	413808	Nut, Push	58	437517X479	Bar, Lower Handle	--	71 33623	Gas Can (2.5 Gallon Container)
31	419407X615	Selector Knob	59	191574	Handle Bolt	--	71 33500	Fuel Stabilizer
32	419944X007	Latch, Mulcher Door	62	431913X004	Belt Retainer	--	71 33000	SAE 30W Oil (20 Ounce Bottle)
33	420019	Mulcher Door						
34	419946X615	Pivot Bracket						

NOTE: All component dimensions given in U.S. inches. 1 inch = 25.4 mm.

IMPORTANT: Use only Original Equipment Manufacturer (O.E.M.) replacement parts. Failure to do so could be hazardous, damage your lawn mower and void your warranty.

CRAFTSMAN ROTARY LAWN MOWER -- MODEL NUMBER 917.370441



42

CRAFTSMAN ROTARY LAWN MOWER - - MODEL NUMBER 917.370441

KEY NO.	PART NO.	DESCRIPTION	KEY NO.	PART NO.	DESCRIPTION
1	427912	Drive Control Assembly (Includes Cable)	29	409148	Locknut, Hex
6	181698	Screw	32	443262	Drive Pulley
7	400235X479	Mounting Bracket, Drive Control	33	426609	V-Belt
9	447570	Cable, Drive	35	431124	Kit, Wheel Adjuster, Front, LH (Includes Red Knob and Pushnut)
11	194231X460	Wheel & Tire Assembly, Front	36	424657	Gear Case Assembly, Complete
12	12000058	E-Ring	38	191730	Locknut, Hex 1/4-20
13	403849	Pinion	40	406558	Spring
14	189403	Dust Cover	41	431121	Kit, Wheel Adjuster, Front, RH (Includes Red Knob and Pushnut)
15	404845	Pawl, Drive	54	580947303	Grassbag
16	67725	Washer, Flat 3/8	57	446432	Frame, Grassbag
17	413808	Nut, Push	80	421114	Kit, Water Washout Assembly (Includes Key Numbers 81 thru 83)
18	419345X615	Selector Knob	81	419735	Fitting, Water Washout
25	430458X004	Belt Keeper	82	415585	Washer, Lock, Internal Tooth
26	163409	Screw, Hi-Lo Thread #12 x 5/8	83	415586	Locknut, Hex, with O-Ring
27	175262	Screw, Pan Head #10-24 x 2-3/4			
28	580991501	Drive Cover			

NOTE: All component dimensions given in U.S. inches. 1 inch = 25.4 mm.

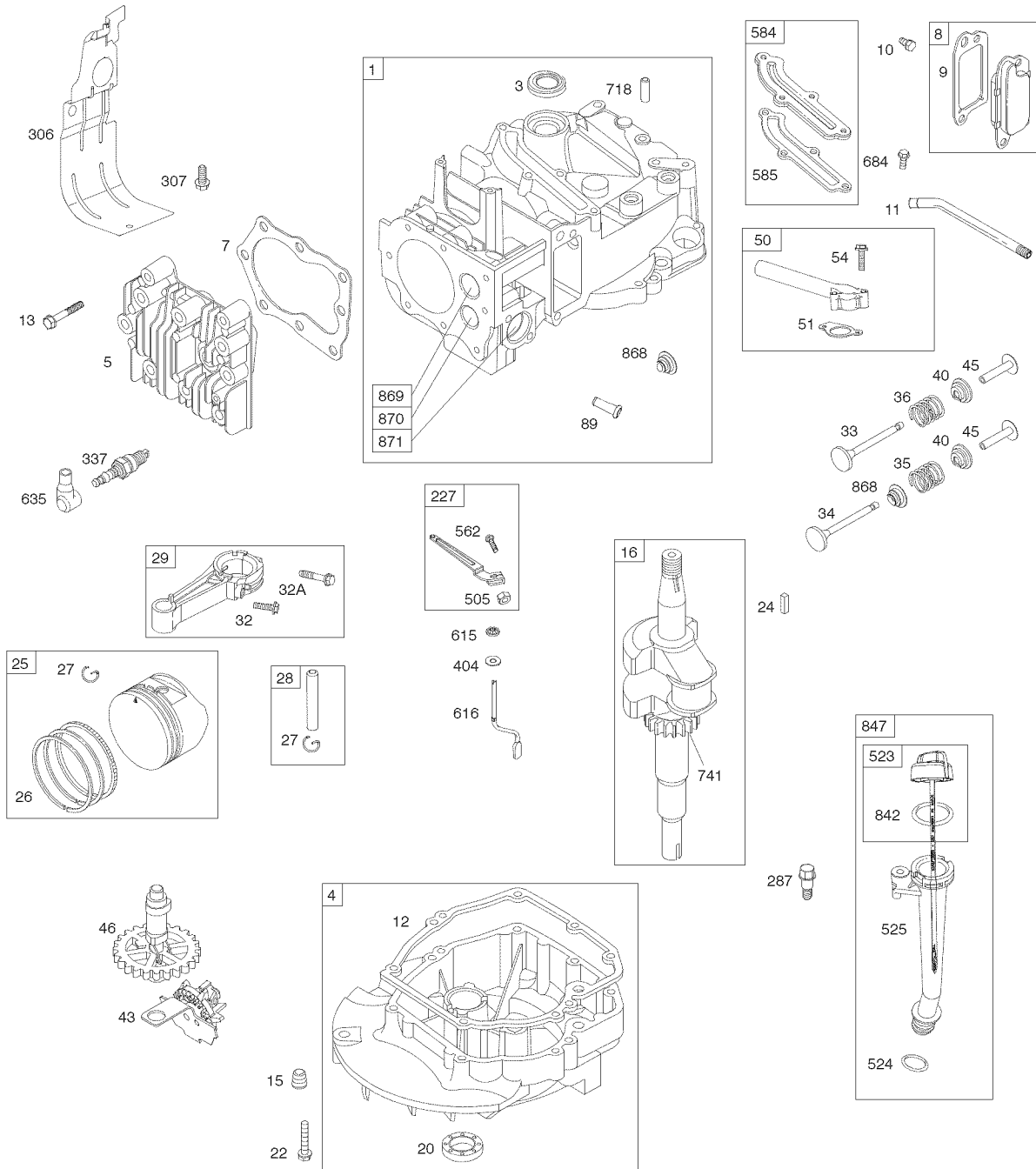
IMPORTANT: Use only Original Equipment Manufacturer (O.E.M.) replacement parts. Failure to do so could be hazardous, damage your lawn mower and void your warranty.

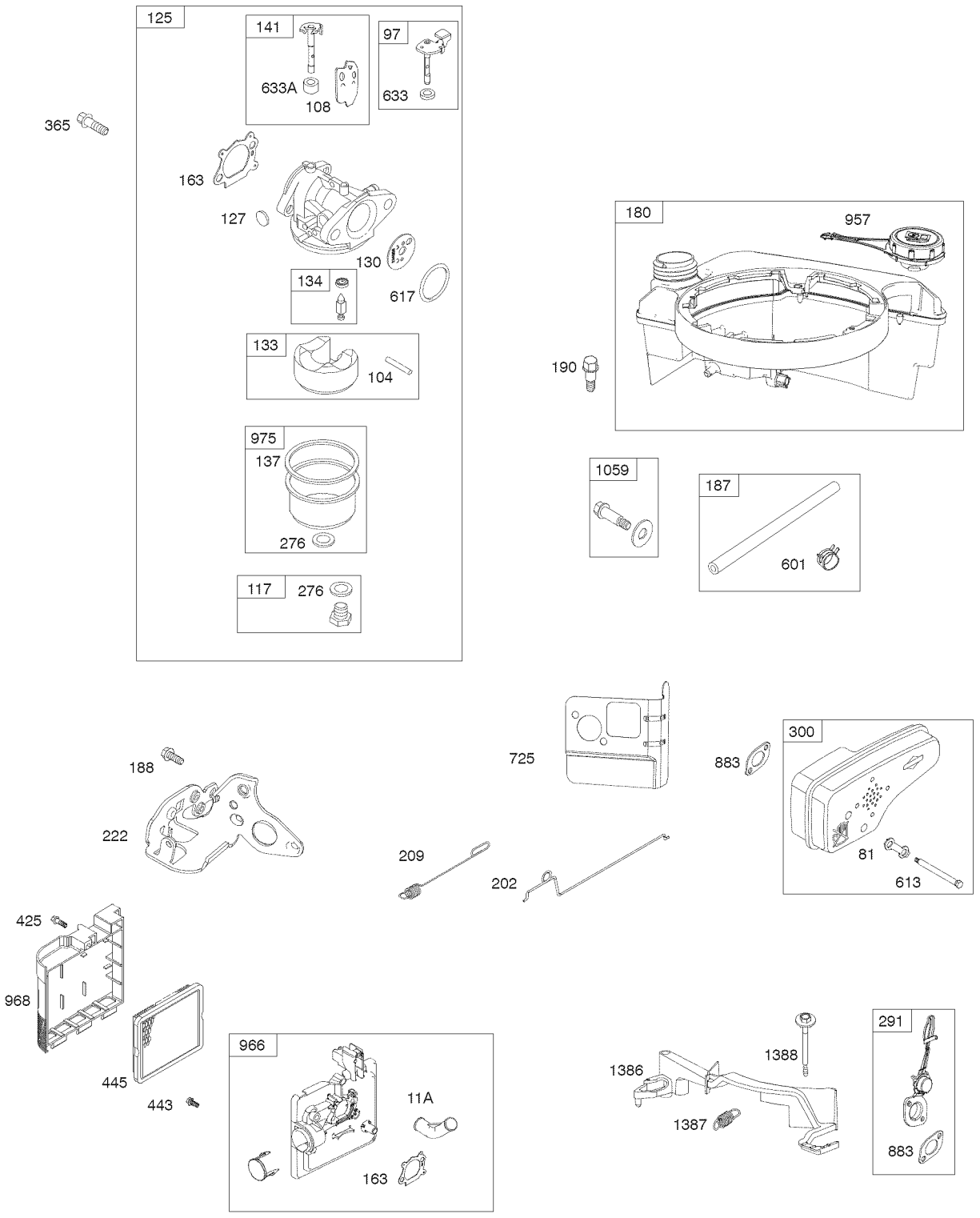
48 SHORT BLOCK

1058 OPERATOR'S MANUAL

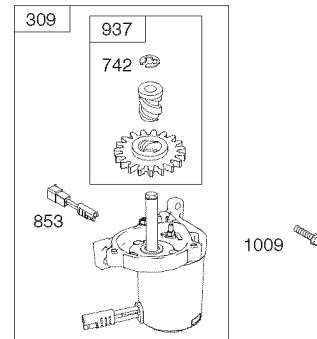
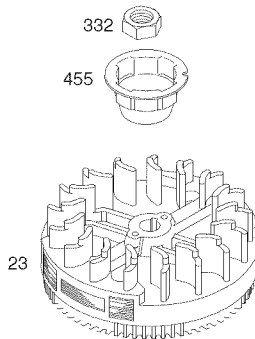
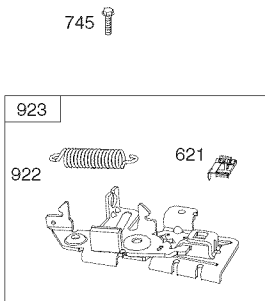
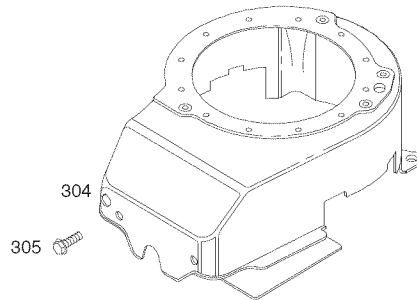
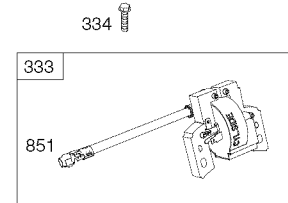
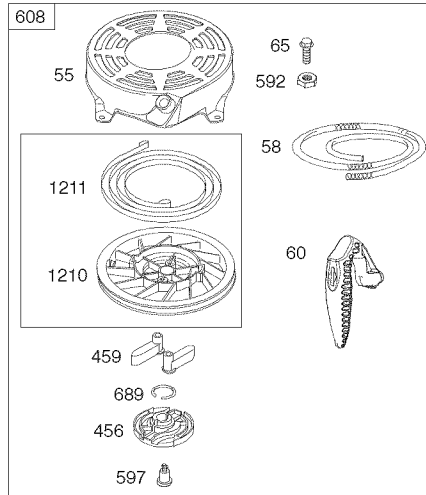
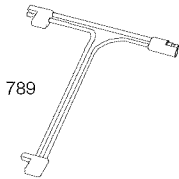
1329 REPLACEMENT ENGINE

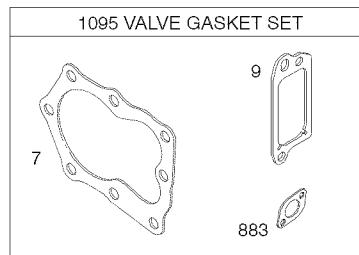
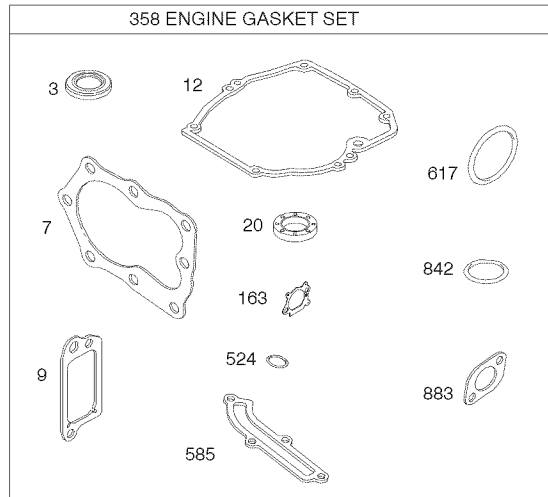
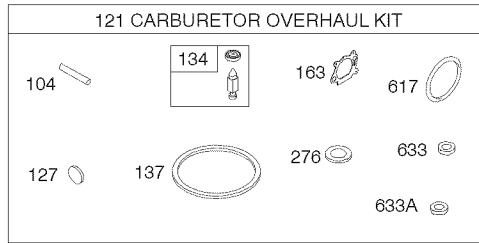
1330 REPAIR MANUAL





1036 EMISSIONS LABEL





Engine Power Rating Information

The gross power rating for individual gas engine models is labeled in accordance with SAE (Society of Automotive Engineers) code J1940 (Small Engine Power & Torque Rating Procedure), and rating performance has been obtained and corrected in accordance with SAE J1995 (Revision 2002-05). Torque values are derived at 3060 RPM; horsepower values are derived at 3600 RPM. Actual gross engine power will be lower and is affected by, among other things, ambient operating conditions and engine-to-engine variability. Given both the wide array of products on which engines are placed and the variety of environmental issues applicable to operating the equipment, the gas engine will not develop the rated gross power when used in a given piece of power equipment (actual "on-site" or net power). This difference is due to a variety of factors including, but not limited to, accessories (air cleaner, exhaust, charging, cooling, carburetor, fuel pump, etc.), application limitations, ambient operating conditions (temperature, humidity, altitude), and engine-to-engine variability. Due to manufacturing and capacity limitations, Briggs & Stratton may substitute an engine of higher rated power for this Series engine.

KEY NO.	PART NO.	DESCRIPTION	KEY NO.	PART NO.	DESCRIPTION
			50	796703	Manifold-Intake
1	590401	Cylinder Assembly	51	796704	Gasket-Intake
3	299819s	Seal-Oil (Magneto Side)	54	691650	Screw (Intake Manifold)
4	493279	Sump-Engine	55	691421	Housing-Rewind Starter
5	590411	Head-Cylinder	58	697316	Rope-Starter
7	799875	Gasket-Cylinder Head	60	795426	Grip-Starter Rope
8	590395	Breather Assembly	65	690837	Screw (Rewind Starter)
9	699472	Gasket-Breather	81	691740	Lock-Muffler Screw
10	691125	Screw (Breather Assembly)	89	692348	Plug-Oil (Cylinder)
11	691781	Tube-Breather	97	696565	Shaft-Throttle
11A	691923	Tube-Breather (Air Cleaner Primer Base)	104	797622	Pin-Float Hinge
12	692232	Gasket-Crankcase	108	795935	Valve-Choke
13	590422	Screw (Cylinder Head)	117	590440	Jet-Main (Standard)
15	691680	Plug-Oil Drain	121	498260	Kit-Carburetor Overhaul
16	797017	Crankshaft	125	799866	Carburetor
20	399781s	Seal-Oil (PTO Side)	127	694468	Plug-Welch
22	691092	Screw (Crankcase Cover/Sump)	130	696564	Valve-Throttle
23	691987	Flywheel	133	398187	Float-Carburetor
24	222698s	Key-Flywheel (Aluminum)	134	398188	Kit-Needle/Seat
25	590404	Piston Assembly (Standard)	137	796610	Gasket-Float Bowl
	590405	Piston Assembly (.020" Oversize)	141	796193	Kit-Choke Shaft
26	590402	Ring Set (Standard)	163	795629	Gasket-Air Cleaner
	590403	Ring Set (.020' Oversize)	180	590490	Tank-Fuel
27	691588	Lock-Piston Pin	187	791766	Line-Fuel (Cut To Required Length)
28	298909	Pin-Piston	188	693999	Screw (Control Bracket)
29	797306	Rod-Connecting	190	690940	Screw (Fuel Tank)
32	691664	Screw (Connecting Rod) (1/4-28 x 1.09)	202	691829	Link-Mechanical Governor
32A	695759	Screw (Connecting Rod) (1/4-28 x 1.52)	209	699056	Spring-Governor (No Color)
33	590394	Valve-Exhaust	222	793754	Bracket-Control
34	590393	Valve-Intake	227	690783	Lever-Governor Control
35	691270	Spring-Valve (Intake)	276	271716	Washer-Sealing
36	691270	Spring-Valve (Exhaust)	287	690940	Screw (Dipstick Tube)
40	692194	Retainer-Valve	291	790830	Thermostat
43	691997	Slinger-Governor/Oil	300	790828	Muffler
45	690548	Tappet-Valve	304	790826	Housing-Blower
46	590463	Camshaft	305	691108	Screw (Blower Housing)
48	799984	Short Block	306	790836	Shield-Cylinder
			307	690345	Screw (Cylinder Shield)
			309	799045	Motor-Starter
			332	690662	Nut (Flywheel)
			333	590454	Armature-Magneto
			334	691061	Screw (Magneto Armature)

KEY NO.	PART NO.	DESCRIPTION	KEY NO.	PART NO.	DESCRIPTION
337	591040	Plug-Spark	842	691031	Seal-O Ring (Dipstick Tube)
356	692390	Wire-Stop	847	692047	Dipstick/Tube Assembly
358	590508	Gasket Set-Engine	851	493880s	Terminal-Spark Plug
365	691688	Screw (Carburetor)	853	695268	Adapter-Wire
404	690272	Washer (Governor Crank)	868	697338	Seal-Valve
425	690670	Screw (Air Cleaner Cover)	869	691155	Seat-Valve (Intake)
443	692523	Screw (Air Cleaner Primer Base)	870	690380	Seat-Valve (Exhaust)
445	491588s	Filter-Air Cleaner Cartridge	871	590409	Bushing-Valve Guide
455	791960	Cup-Flywheel	883	691881	Gasket-Exhaust
456	692299	Plate-Pawl Friction	922	692135	Spring-Brake
459	281505s	Pawl-Ratchet	923	796387	Brake
505	691251	Nut (Governor Control Lever)	937	799420	Spline-Starter
523	499621	Dipstick	957	591003	Cap-Fuel Tank
524	692296	Seal- Dipstick Tube	966	795259	Base-Air Cleaner Primer
525	495265	Tube-Dipstick	968	692298	Cover-Air Cleaner
562	691119	Bolt (Governor Control Lever)	975	796611	Bowl-Fuel
584	697734	Cover (Breather Passage)	1009	691127	Screw (Starter Motor)
585	691879	Gasket (Breather Passage)	1036	- - -	Label-Emissions (Available from any Briggs & Stratton Authorized Dealer)
592	690800	Nut (Rewind Starter)	1058	277039TRI	Operator's Manual
597	691696	Screw (Pawl Friction Plate)	1059	692311	Kit-Screw/Washer (Fuel Tank)
601	791850	Clamp-Hose (Black)	1095	590507	Gasket Set-Valve
608	497680	Starter-Rewind	1210	498144	Pulley / Spring Assembly (Pulley)
613	790833	Screw (Muffler)	1211	498144	Pulley / Spring Assembly (Spring)
615	690340	Retainer-Governor Shaft	1329	128M07-5062-F1	Replacement Engine
616	698801	Crank-Governor	1330	270962	Repair Manual
617	270344s	Seal-O Ring (Intake Manifold)	1386	790848	Vane-Air
621	692310	Switch-Stop (Brake)	1387	790849	Spring-Air Vane
633	691321	Seal-Choke / Throttle Shaft (Throttle Shaft)	1388	790850	Screw (Air Vane)
633A	693867	Seal-Choke / Throttle Shaft (Choke Shaft)	- -	398067	Spark Arrester (available accessory)
635	66538s	Boot-Spark Plug	Carburetor Overhaul Kit, Key Number 121		
684	690345	Screw (Breather Passage Cover)	Engine Gasket Set, Key Number 358		
689	691855	Spring-Friction	Valve Gasket Set, Key Number 1095		
718	690959	Pin-Locating	NOTE: All component dimensions given in U.S. inches. 1 inch = 25.4 mm		
725	590460	Shield-Heat			
741	797521	Gear-Timing			
742	93941	Retainer-E Ring			
745	691648	Screw (Brake)			
789	796574	Harness-Wiring			