

Owner's Manual



# ROTARY LAWN MOWER

675 Series Briggs & Stratton Engine

Power-Propelled

22" Multi-Cut

Model No.

**917.370432**



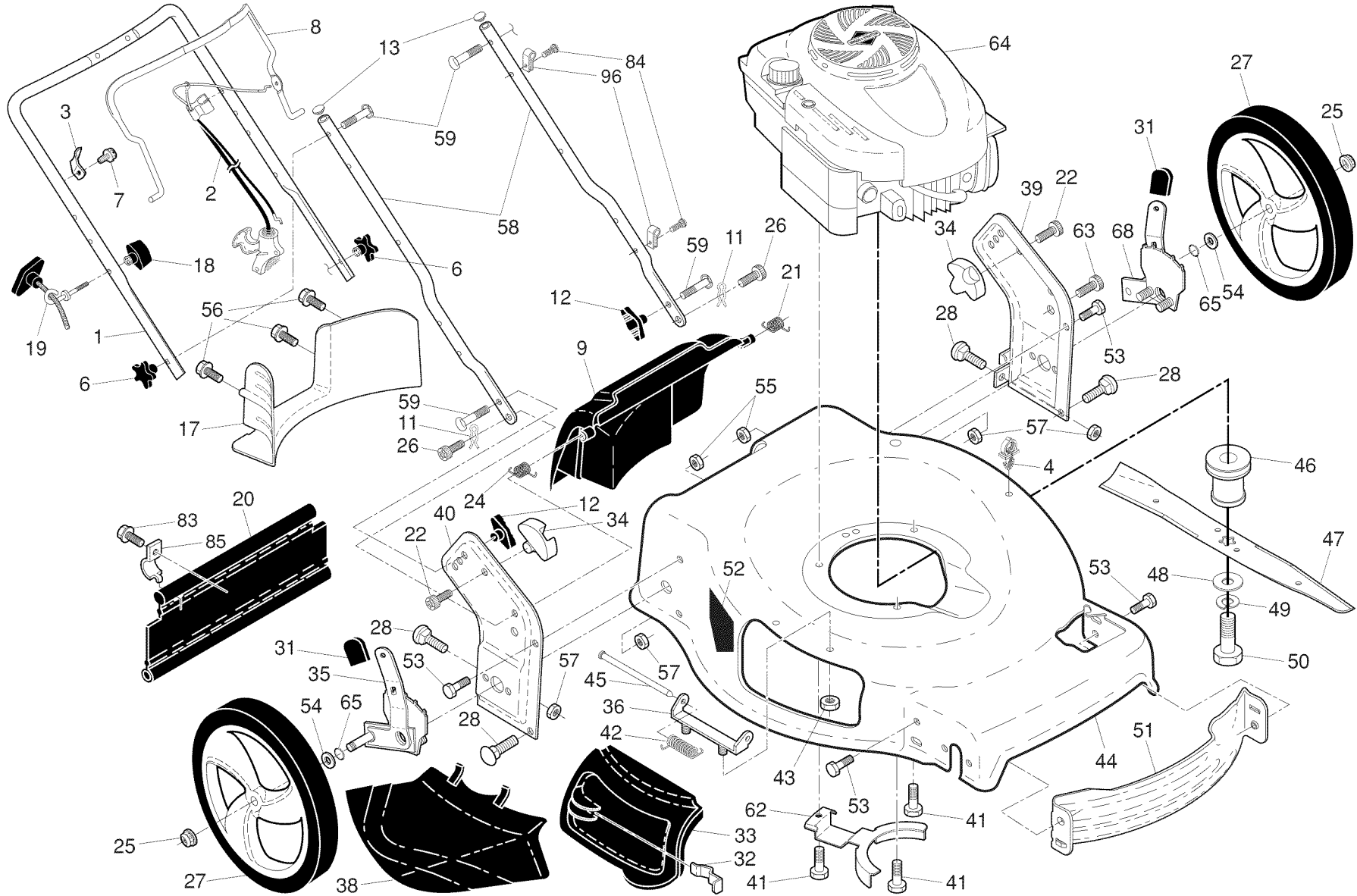
• Español, p. 21

## **CAUTION:**

Read and follow all  
Safety Rules and Instructions  
before operating this equipment

Sears Brands Management Corp., Hoffman Estates, IL 60179 U.S.A.  
Visit our Craftsman website: [www.craftsman.com](http://www.craftsman.com)

# CRAFTSMAN ROTARY LAWN MOWER - - MODEL NUMBER 917.370432



40

REPAIR PARTS

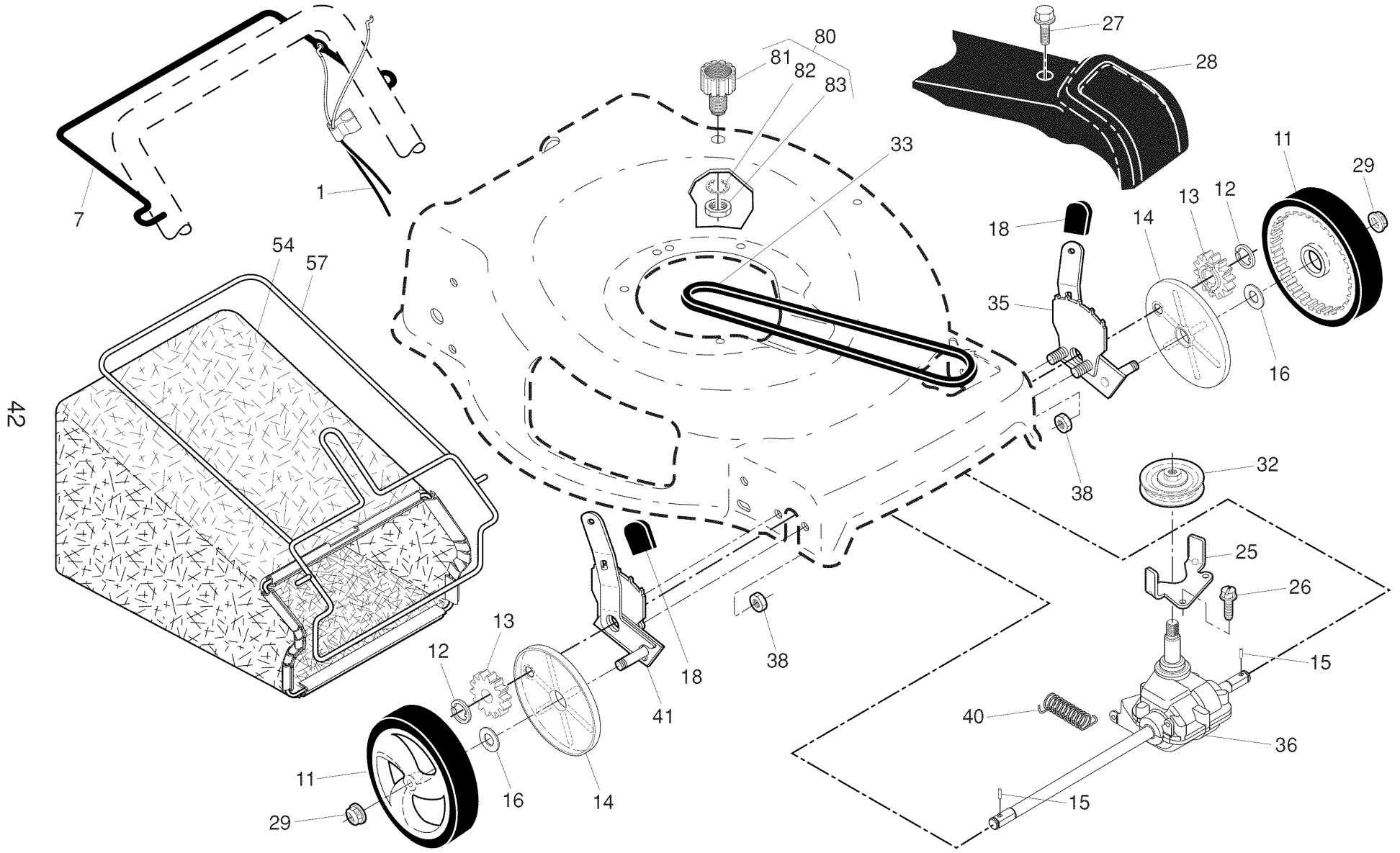
## CRAFTSMAN ROTARY LAWN MOWER - - MODEL NUMBER 917.370432

KEY NO.	PART NO.	DESCRIPTION	KEY NO.	PART NO.	DESCRIPTION	KEY NO.	PART NO.	DESCRIPTION
1	427615X479	Upper Handle	33	432642	Mulcher Door			#13 x 3/4
2	438385	Cable, Engine Zone Control / Rear Door Prop	34	419946X615	Pivot Bracket	57	155377	Nut, Hex 3/8-16
3	429930X004	Bracket, Upstop	35	431140	Kit, Wheel Adjuster, Rear, RH	58	437517X479	Bar, Handle, Lower
4	145006	Guide, Cable	36	175735	Hinge Bracket Assembly	59	191574	Handle Bolt
6	182398	Handle Knob, Star	38	419942X428	Discharge Deflector	62	431913X004	Belt Retainer
7	178848	Screw #10-16 x 5/8	39	581353703	Handle Bracket, LH	63	178848	Screw #10-16 x 5/8
8	427612X428	Control Bar	40	581353603	Handle Bracket, RH	64	- - -	Engine, Briggs & Stratton, Model Number 126M02-1525-F1 (See Breakdown)
9	421084	Rear Door Assembly	41	150406	Screw, Dogpoint 3/8-16 x 1-1/8			
11	425575	Hairpin, Door/Handle Pivot	42	193000	Spring, Torsion			
12	189713X428	Handle Knob, Standard	43	191730	Nut, Hex, Nylock	65	197480	O-Ring
13	437516	Plug, Lower Handle Bar	44	446429	Kit, Lawn Mower Housing	68	431141	Kit, Wheel Adjuster, Rear, LH
17	427120X428	Rear Baffle	45	175650	Rod, Hinge	83	750097	Screw, Hex Washer Head
18	581912601	T-Knob	46	581473301	Blade Adapter / Pulley	84	428124	Fastener, Push
19	581902101	Rope Guide	47	421825	Blade, 22"	85	429801X004	Mounting Bracket, Skirt
20	429157	Rear Skirt	48	851074	Washer, Hardened	96	197991	Clip, Cable
21	419949	Spring, Rear Door, LH, Black	49	850263	Washer, Helical	--	586015196	Owner's Manual, English/Spanish
22	141841	Screw, Panhead, Torx #20	50	851084	Screw, Machine, Hex Head 3/8-24 x 1-3/8 Grade 8			
24	419948	Spring, Rear Door, RH, Grey	51	430599	Front Baffle			Available accessories not included with mower:
25	409149	Nut, Hex, Flanged	52	404763	Decal, Danger	--	71 33623	Gas Can (2.5 Gallon Container)
26	419945	Screw, Door/Handle Pivot	53	17000510	Screw, Hex Head	--	71 33500	Fuel Stabilizer
27	431880X460	Wheel & Tire Assembly, Rear	54	88348	Washer, Flat	--	71 33000	SAE 30W Oil (20 Ounce Bottle)
28	72270505	Bolt, Carriage 5/16-18 x 5/8	55	191730	Nut, Hex, Flanged 1/4-20			
31	701037	Selector Knob	56	17411312	Screw, Hex Washer Head			
32	419944X007	Latch, Mulcher Door						

**NOTE:** All component dimensions given in U.S. inches. 1 inch = 25.4 mm.

**IMPORTANT:** Use only Original Equipment Manufacturer (O.E.M.) replacement parts. Failure to do so could be hazardous, damage your lawn mower and void your warranty.

**CRAFTSMAN ROTARY LAWN MOWER - - MODEL NUMBER 917.370432**



42

## CRAFTSMAN ROTARY LAWN MOWER - - MODEL NUMBER 917.370432

43

KEY NO.	PART NO.	DESCRIPTION	KEY NO.	PART NO.	DESCRIPTION
1	439452	Cable, Drive Control	32	443262	Drive Pulley
7	194185X615	Control Bar, Drive	33	196853	V-Belt
11	194231X460	Wheel & Tire Assembly, Front	35	581497904	Wheel Adjuster Assembly, Front, LH (Includes Bearing)
12	12000058	E-Ring			
13	403849	Pinion	36	424741	Gear Case Assembly, Complete
14	581840401	Dust Cover	38	191730	Locknut, Hex 1/4-20
15	404845	Pawl, Drive	40	406558	Spring
16	67725	Washer, Flat 3/8	41	581497903	Wheel Adjuster Assembly, Front, RH (Includes Bearing)
18	701037	Selector Knob			
25	430458X004	Belt Keeper	54	580947303	Grassbag
26	163409	Screw, Hi-Lo Thread #12 x 5/8	57	446432	Frame, Grassbag
27	175262	Screw, Pan Head, Self-Tapping #10-24 x 2-3/4	80	421114	Water Washout Assembly
28	423322	Drive Cover	81	419735	Fitting, Water Washout
29	409148	Locknut, Hex	82	415585	Washer, Lock, Internal Tooth
			83	415586	Locknut, Hex, with O-Ring

**NOTE:** All component dimensions given in U.S. inches. 1 inch = 25.4 mm.

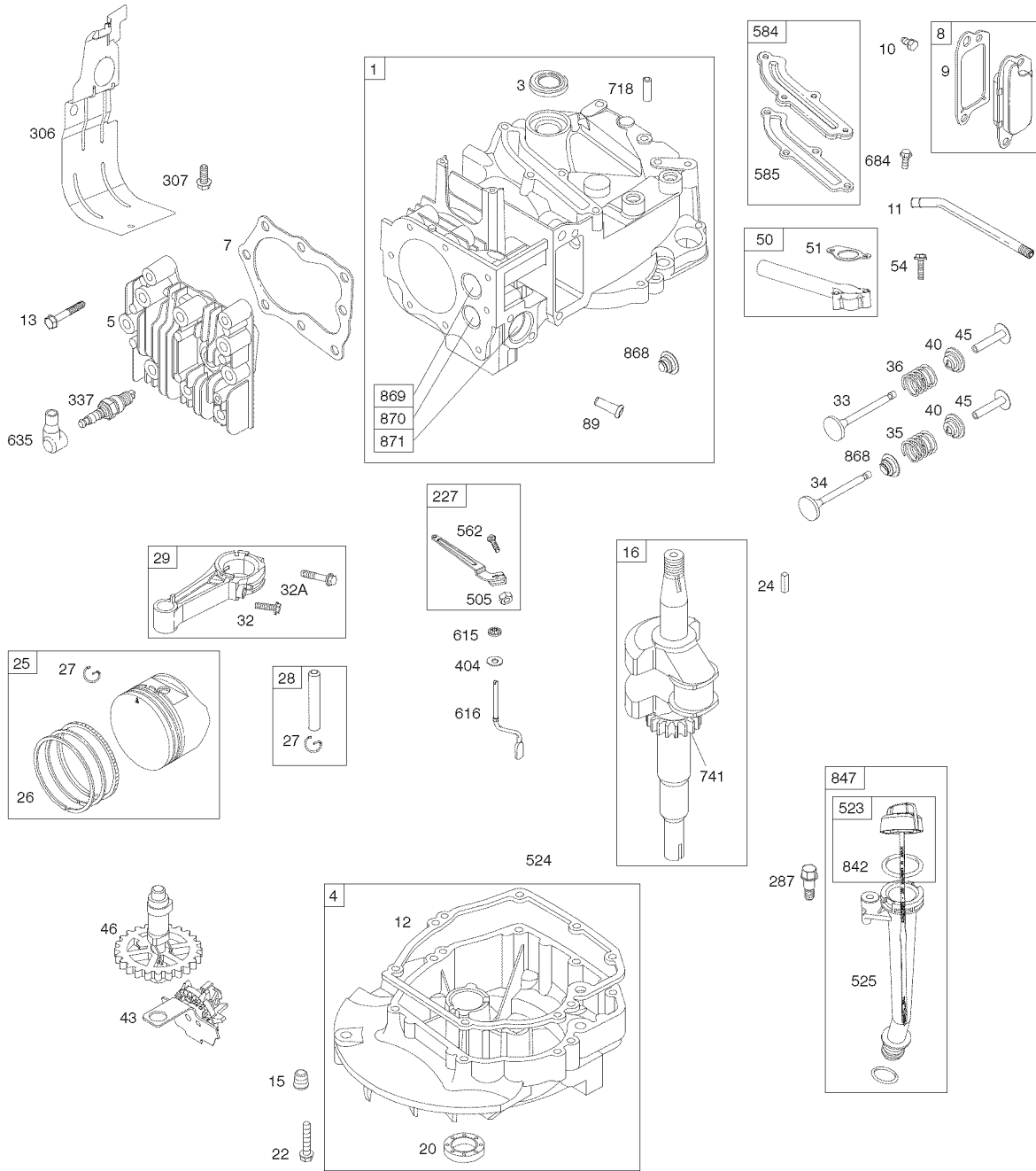
**IMPORTANT:** Use only Original Equipment Manufacturer (O.E.M.) replacement parts. Failure to do so could be hazardous, damage your lawn mower and void your warranty.

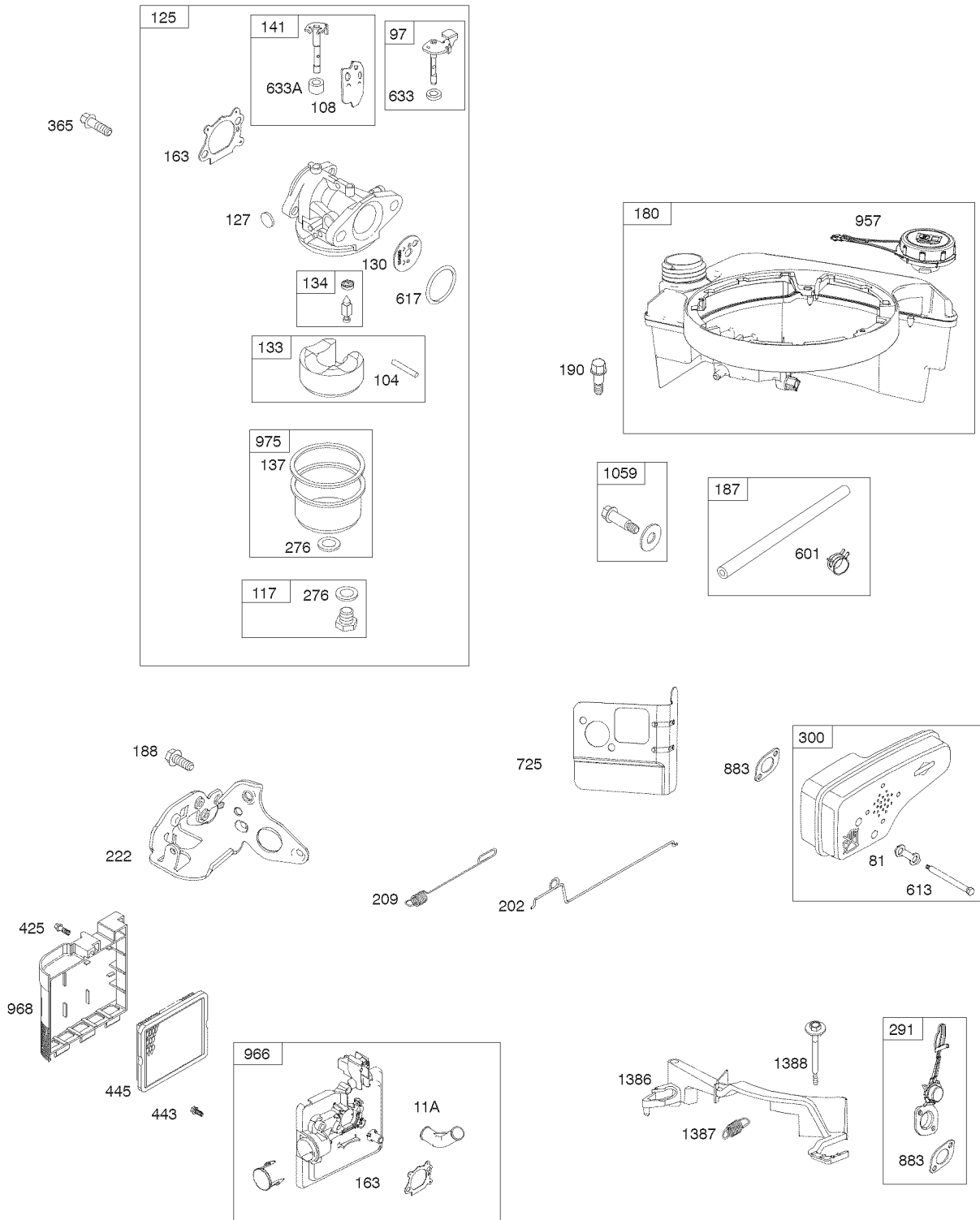
48 SHORT BLOCK

1058 OPERATOR'S MANUAL

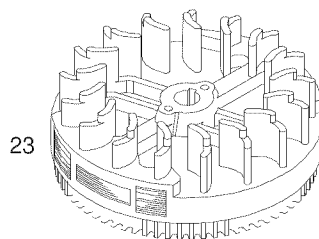
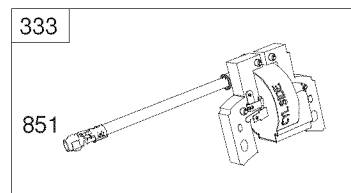
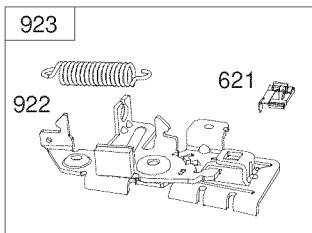
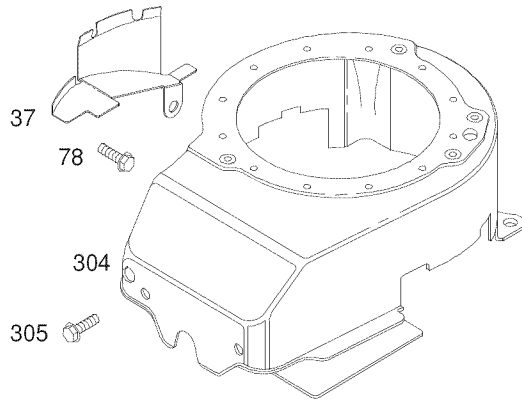
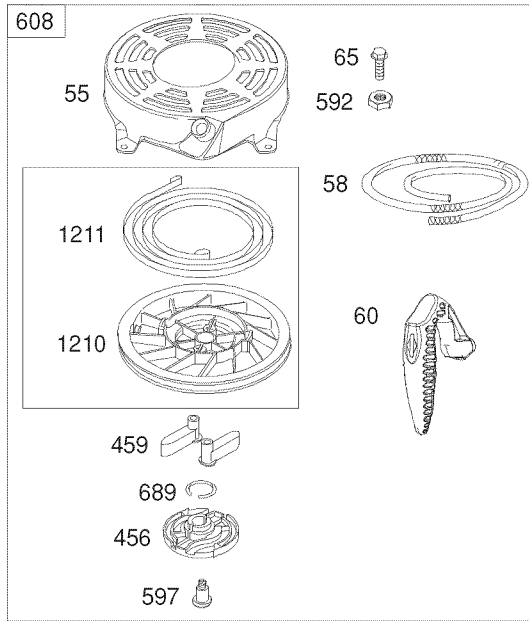
1329 REPLACEMENT ENGINE

1330 REPAIR MANUAL

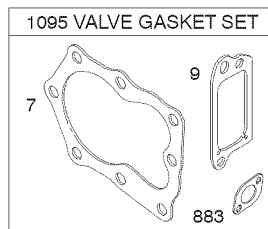
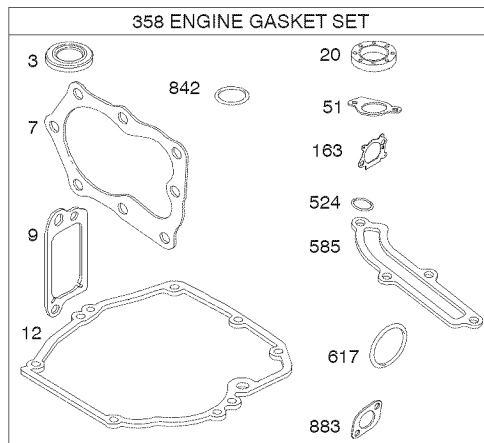
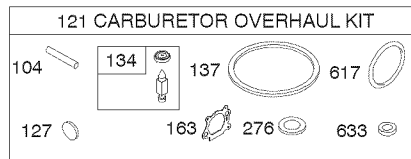




1036 EMISSIONS LABEL







**Engine Power Rating Information**

The gross power rating for individual gas engine models is labeled in accordance with SAE (Society of Automotive Engineers) code J11940 (Small Engine Power & Torque Rating Procedure), and rating performance has been obtained and corrected in accordance with SAE J1995 (Revision 2002-5). Actual gross engine power will be lower and is affected by, among other things, ambient operating conditions and engine-to-engine variability. Given both the wide array of products on which engines are placed and the variety of environmental issues applicable to operating the equipment, the gas engine will not develop the rated gross power when used in a given piece of power equipment (actual “on-site” or net horsepower). This difference is due to a variety of factors including, but not limited to, accessories (air cleaner, exhaust, charging, cooling, carburetor, fuel pump, etc.), application limitations, ambient operating conditions (temperature, humidity, altitude), and engine-to-engine variability. Due to manufacturing and capacity limitations, Briggs & Stratton may substitute an engine of higher rated power for this Series engine.

KEY NO.	PART NO.	DESCRIPTION	KEY NO.	PART NO.	DESCRIPTION
1	590401	Cylinder Assembly	48	792741	Short Block
3	299819s	Seal-Oil (Magneto Side)	50	794305	Manifold-Intake
4	493279	Sump-Engine	51	794306	Gasket-Intake
5	590411	Head-Cylinder	54	691650	Screw (Intake Manifold)
7	799875	Gasket-Cylinder Head	55	691421	Housing-Rewind Starter
8	590395	Breather Assembly	58	697316	Rope-Starter
9	699472	Gasket-Breather	60	795426	Grip-Starter Rope
10	691125	Screw (Breather Assembly)	65	690837	Screw (Rewind Starter)
11	691781	Tube-Breather	78	691108	Screw (Flywheel Guard)
11A	691923	Tube-Breather (Air Cleaner Primer Base)	81	691740	Lock-Muffler Screw
12	692232	Gasket-Crankcase	89	692348	Plug-Oil (Cylinder)
13	590422	Screw (Cylinder Head)	97	696565	Shaft-Throttle
15	691680	Plug-Oil Drain	104	797622	Pin-Float Hinge
16	797017	Crankshaft	108	795935	Valve-Choke
20	399781s	Seal-Oil (PTO Side)	109	795936	Shaft-Choke
22	691092	Screw (Crankcase Cover/Sump)	117	590440	Jet-Main (Standard)
23	691987	Flywheel	121	498260	Kit-Carburetor Overhaul
24	222698s	Key-Flywheel	125	799866	Carburetor
25	590404	Piston Assembly (Standard)	127	694468	Plug-Welch
	590405	Piston Assembly (.020" Oversize)	130	696564	Valve-Throttle
26	590402	Ring Set (Standard)	133	398187	Float-Carburetor
	590403	Ring Set (.020" Oversize)	134	398188	Kit-Needle/Seat
27	691588	Lock-Piston Pin	137	796610	Gasket-Float Bowl
28	298909	Pin-Piston	141	796193	Kit-Choke Shaft
29	797306	Rod-Connecting	163	795629	Gasket-Air Cleaner
32	691664	Screw (Connecting Rod) (1/4-28 x 1.09)	180	590490	Tank-Fuel
32A	695759	Screw (Connecting Rod) (1/4-28 x 1.52)	187	791766	Line-Fuel (Cut To Required Length)
33	590394	Valve-Exhaust	188	693999	Screw (Control Bracket)
34	590393	Valve-Intake	190	690940	Screw (Fuel Tank)
35	691270	Spring-Valve (Intake)	202	691829	Link-Mechanical Governor
36	691270	Spring-Valve (Exhaust)	209	699056	Spring-Governor (No Color)
37	793756	Guard-Flywheel	222	793754	Bracket-Control
40	692194	Retainer-Valve	227	690783	Lever-Governor Control
43	691997	Slinger-Governor/Oil	276	271716	Washer-Sealing
45	690548	Tappet-Valve	287	690940	Screw (Dipstick Tube)
46	691449	Camshaft	291	790830	Thermostat
			300	790828	Muffler
			304	790826	Housing-Blower
			305	691108	Screw (Blower Housing)
			306	790836	Shield-Cylinder
			307	690345	Screw (Cylinder Shield)

<b>KEY NO.</b>	<b>PART NO.</b>	<b>DESCRIPTION</b>	<b>KEY NO.</b>	<b>PART NO.</b>	<b>DESCRIPTION</b>
332	690662	Nut (Flywheel)	718	690959	Pin-Locating
333	590454	Armature-Magneto	725	590460	Shield-Heat
334	691061	Screw (Magneto Armature)	741	797521	Gear-Timing
337	591040	Plug-Spark	745	691648	Screw (Brake)
	33459	Plug-Spark (MRS)	842	691031	Seal-O Ring (Dipstick Tube)
356	692390	Wire-Stop	847	692047	Dipstick/Tube Assembly
358	590508	Gasket Set-Engine	851	493880s	Terminal-Spark Plug
365	691688	Screw (Carburetor)	868	697338	Seal-Valve
404	690272	Washer (Governor Crank)	869	691155	Seat-Valve (Intake)
425	690670	Screw (Air Cleaner Cover)	870	690380	Seat-Valve (Exhaust)
443	692523	Screw (Air Cleaner Primer Base)	871	590409	Bushing-Valve Guide
445	491588s	Filter-Air Cleaner Cartridge	883	691881	Gasket-Exhaust
455	791960	Cup-Flywheel	922	692135	Spring-Brake
456	692299	Plate-Pawl Friction	923	796136	Brake
459	281505s	Pawl-Ratchet	957	591003	Cap-Fuel Tank
505	691251	Nut (Governor Control Lever)	966	795259	Base-Air Cleaner Primer
523	499621	Dipstick	968	692298	Cover-Air Cleaner
524	692296	Seal- Dipstick Tube	975	796611	Bowl-Fuel
525	495265	Tube-Dipstick	1036	- - -	Label-Emissions (Available from any Briggs & Stratton Authorized Dealer)
562	691119	Bolt (Governor Control Lever)			
584	697734	Cover-Breather Passage	1058	277039	Operator's Manual
585	691879	Gasket (Breather Passage)	1059	692311	Kit-Screw/Washer (Fuel Tank)
592	690800	Nut (Rewind Starter)	1095	590507	Gasket Set-Valve
597	691696	Screw (Pawl Friction Plate)	1210	498144	Pulley/Spring Assembly (Pulley)
601	791850	Clamp-Hose (Green)			
608	497680	Starter-Rewind	1211	498144	Pulley/Spring Assembly (Spring)
613	790833	Screw (Muffler)			
615	690340	Retainer-Governor Shaft	1329	126T02-1625-B1	Replacement Engine
616	698801	Crank-Governor	1330	270962	Repair Manual
617	270344s	Seal-O Ring (Intake Manifold)	1386	790848	Vane-Air
			1387	790849	Spring-Air Vane
621	692310	Switch-Stop (Brake)	1388	790850	Screw (Air Vane)
633	691321	Seal-Choke/Throttle Shaft (Throttle Shaft)	- -	398067	Spark Arrester (available accessory)
633A	693867	Seal-Choke/Throttle Shaft (Choke Shaft)			
635	66538s	Boot-Spark Plug			Carburetor Overhaul Kit – Key Number 121
684	690345	Screw (Breather Passage Cover)			Engine Gasket Set – Key Number 358
					Valve Gasket Set – Key Number 1095
689	691855	Spring-Friction			

**NOTE:** All component dimensions given in U.S. inches. 1 inch = 25.4 mm