

NEED MORE HELP?

You'll find the answer and more on managemyhome.com – for free!

- Find this and all your other product manuals online.
- Get answers from our team of home experts.
- Get a personalized maintenance plan for your home.
- Find information and tools to help with home projects.

manage  **home**

brought to you by Sears

Get it fixed, at your home or ours!

Your Home

For repair – **in your home** – of **all** major brand appliances, lawn and garden equipment, or heating and cooling systems, **no matter who made it, no matter who sold it!**

For the replacement parts, accessories and owner's manuals that you need to do-it-yourself.

For Sears professional installation of home appliances and items like garage door openers and water heaters.

1-800-4-MY-HOME[®] Anytime, day or night
(1-800-469-4663) (U.S.A. and Canada)
www.sears.com www.sears.ca

Our Home

For repair of carry-in products like vacuums, lawn equipment, and electronics, call or go on-line for the nearest **Sears Parts and Repair Center.**

1-800-488-1222 Anytime, day or night (U.S.A. only)
www.sears.com

To purchase a protection agreement (U.S.A.) or maintenance agreement (Canada) on a product serviced by Sears:

1-800-827-6655 (U.S.A.) **1-800-361-6665** (Canada)

Para pedir servicio de reparación a domicilio, y para ordenar piezas: Au Canada pour service en français:

1-888-SU-HOGAR[®] (1-888-784-6427) **1-800-LE-FOYER**^{MC} (1-800-533-6937) www.sears.ca

Sears

© Sears Brands, LLC

® Registered Trademark / TM Trademark / SM Service Mark of Sears Brands, LLC

© Marca Registrada / TM Marca de Fábrica / SM Marca de Servicio de Sears Brands, LLC

^{MC} Marque de commerce / ^{MD} Marque déposée de Sears Brands, LLC

Repair Parts Manual

CRAFTSMAN[®]

GARDEN TRACTOR

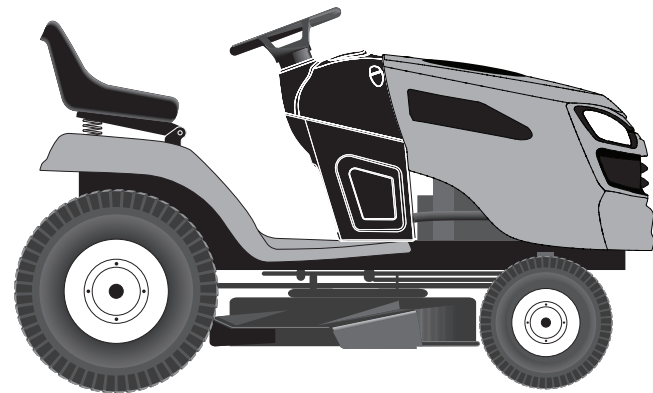
26.0 HP,* 54" Mower

Electric Start

Automatic Transmission

Model No.

917.288611



For answers to your questions about this product, Call:

1-800-659-5917

Sears Craftsman Help Line

5 am - 5 pm, Mon - Sat

Sears, Roebuck and Co., Hoffman Estates, IL 60179 U.S.A

Visit our Craftsman website:www.sears.com/craftsman

*As rated by the engine manufacturer

⚠WARNING: This tractor is equipped with an internal combustion engine and should not be used on or near any unimproved forest-covered, brush-covered or grass-covered land unless the engine's exhaust system is equipped with a spark arrester meeting applicable local or state laws (if any). If a spark arrester is used, it should be maintained in effective working order by the operator.

In the state of California the above is required by law (Section 4442 of the California Public Resources Code). Other states may have similar laws. Federal laws apply on federal lands. A spark arrester for the muffler is available through your nearest Sears service center (See ENGINE ASSEMBLY section of this manual).

REPAIR PROTECTION AGREEMENTS

Congratulations on making a smart purchase. Your new Craftsman® product is designed and manufactured for years of dependable operation. But like all products, it may require repair from time to time. That's when having a Repair Protection Agreement can save you money and aggravation.

Purchase a Repair Protection Agreement now and protect yourself from unexpected hassle and expense.

Here's what's included in the Agreement:

- **Expert service** by our 12,000 professional repair specialists.
- **Unlimited service and no charge** for parts and labor on all covered repairs.
- **Product replacement** if your covered product can't be fixed.
- **Discount of 10%** from regular price of service and service-related parts not covered by the agreement; also, 10% off regular price of preventive maintenance check.
- **Fast help by phone** – phone support from a Sears representative on products requiring in-home repair, plus convenient repair scheduling.

Once you purchase the Agreement, a simple phone call is all that it takes for you to schedule service. You can call anytime day or night, or schedule a service appointment online. Sears has over 12,000 professional repair specialists, who have access to over 4.5 million quality parts and accessories. That's the kind of professionalism you can count on to help prolong the life of your new purchase for years to come. Purchase your Repair Protection Agreement today!

Some limitations and exclusions apply. For prices and additional information call 1-800-827-6655.

SEARS INSTALLATION SERVICE

For Sears professional installation of home appliances, garage door openers, water heaters, and other major home items, in the U.S.A. call 1-800-4-MY-HOME®

TRACTOR - - MODEL NUMBER 917.288611 KOHLER ENGINE - - MODEL NUMBER SV735, TYPE NUMBER 3022

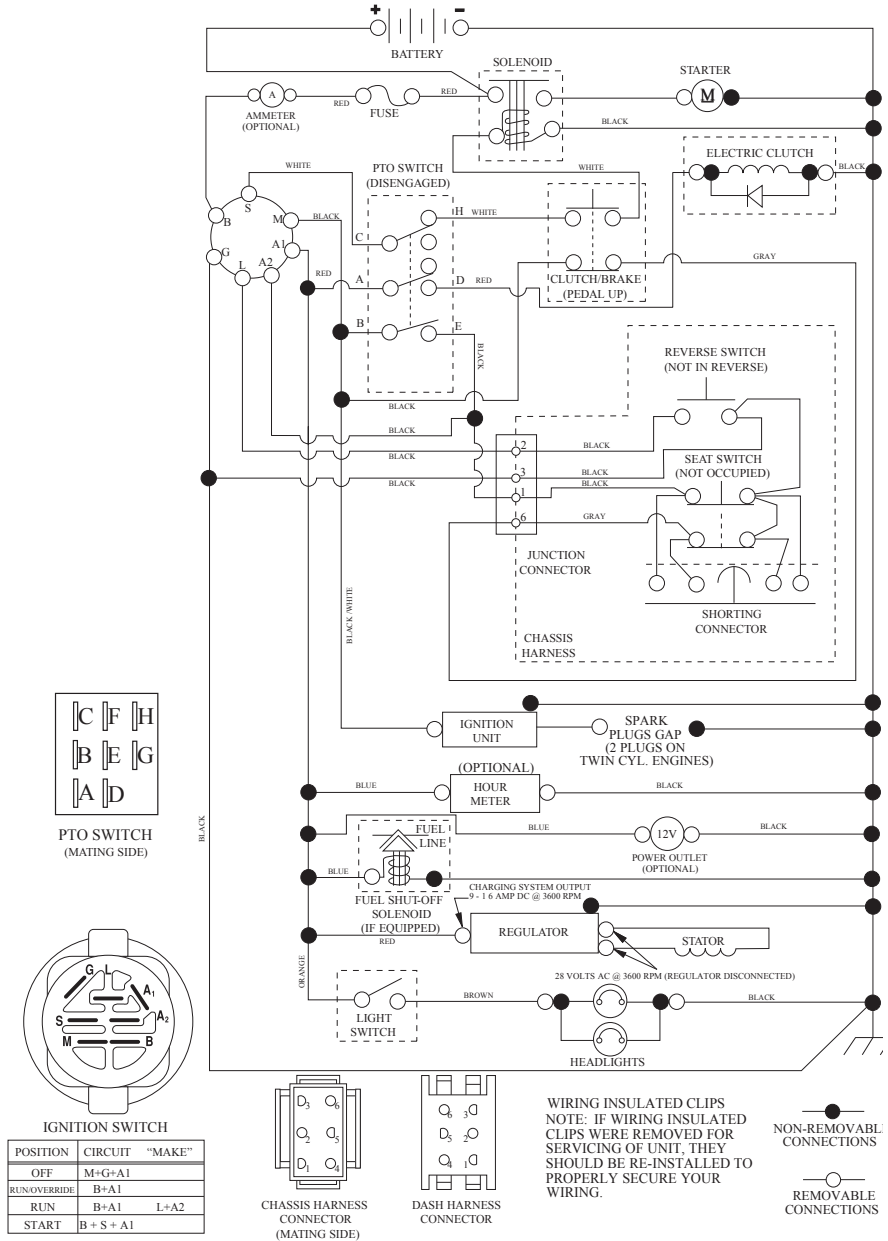
PART	DESCRIPTION	QTY	PART	DESCRIPTION	QTY
HEAD/VALVE/BREATHER 4-32-4			IGNITION/CHARGING GROUP 5-32-51		
12 755 03-S	KIT, RETAINER	4	25 132 12-S	PLUG, SPARK (PRO SERIES)	2
235011-S	RETAINER, SPRING	4	237878-S	KIT, 15 / 20 AMP STATOR	1
66 032 05-S	SEAL, VALVE STEM	2	M-548025-S	SCREW, THD FRM M5X0.8X25	2
24 016 01-S	VALVE, EXHAUST (STD)	2	25 086 361-S	SCREW, HEX FLANGE	1
24 017 01-S	VALVE, INTAKE (STD)	2	25 340 04-S	KEY, SQUARE	1
32 326 06-S	KIT, BREATHER HOSE (INCLUDES 25 237 14-S)	1	25 468 09-S	WASHER, FLAT	1
25 237 14-S	CLAMP, HOSE 1/2" USE 25 237 31-S	5	32 025 15-S	FLYWHEEL ASSEMBLY (SV735/740)	1
32 081 02-S	KIT, BREATHER HOUSING (INCLUDES M-547050-S, 32 468 01-S)	1	20 146 05-S	PLATE, FAN MOUNTING	1
M-547050-S	NUT, LOCK M5X.8	1	32 157 01-S	FAN	1
32 468 01-S	WASHER, SEALING	1	32 162 03-S	SCREEN, GRASS	1
32 072 03-S	STUD, BREATHER COVER	1	24 584 63-S	MODULE, SPARK ADV (! DSAI) ASSY2	1
32 019 02-S	TAPPET	4	M-545020-S	SCREW, FLG THD FRM M5X.8X20	4
32 841 01-S	KIT, CYLINDER HEAD GASKET	2	25 155 41-S	CONNECTOR	1
62 086 08-S	SCREW, FLG M10X1.5X90	8	25 454 05-S	TIE	1
M-645016-S	SCREW, FLG THD FRM M6X1.0X16	1		NOT ILLUSTRATED	
32 096 04-S	COVER, BREATHER (INCLUDES 32 041 01-S)	1	32 176 17-S	KIT, HARNESS, WIRING NOT ILLUSTRATED	1
32 318 13-S	KIT, #1 CYLINDER HEAD ASSEMBLY 1 (INCLUDES EXHAUST MOUNTING HARDWARE) (AFTER S/N 3810100003)	1	47 154 01-S	CLIP, CABLE	1
32 318 14-S	KIT, #2 CYLINDER HEAD ASSEMBLY 1 (INCLUDES EXHAUST MOUNTING HARDWARE) (AFTER S/N 3810100003)	1	LUBRICATION GROUP 3-32-23		
32 146 09-S	PLATE, GUIDE	2	24 086 17-S	SCREW, FLG M8X1.25X45	10
32 072 04-S	STUD, ROCKER (AFTER S/N 3633510943)	4	25 032 06-S	SEAL, OIL	1
32 186 03-S	ARM, ROCKER	4	25 139 57-S	PLUG, SQ HD PIPE 3/8"	2
32 100 05-S	HEX NUT ASSEMBLY (INCLUDES 25 086 168-S) (AFTER S/N 3633510943)	4	32 199 14-S	OIL PAN ASSEMBLY	1
25 599 01-S	PIVOT, ROCKER ARM (AFTER S/N 3633510943)	4	12 144 02-S	SHAFT, GOVERNOR GEAR	1
32 411 04-S	ROD, PUSH (AFTER S/N 3633510943)	4	12 380 01-S	PIN, GOVERNOR REGULATING	1
32 755 03-S	KIT, CYLINDER HEAD HARDWARE 2 NOT ILLUSTRATED (SERVICES 1 HEAD. QUANTITIES LISTED A RE FOR BOTH HEADS) (12 755 03-S, 12 173 01-S, 24 089 02-S, 235011-S, 66 032 05-S, 24 017 01-S, 24 016 01-S, 32 146 09-S, 32 072 04-S, 32 186 03-S, 32 100 05-S, 25 086 168-S, 25 599 01-S, 32 411 04-S)	2	24 448 02-S	TAB, LOCKING	1
32 326 07-S	KIT, FUEL PUMP HOSE	1	32 310 02-S	KIT, GOVERNOR GEAR	1
32 050 05-S	FILTER, BREATHER	1	24 153 01-S	O-RING, OIL PICK-UP	1
32 089 05-S	SPRING, VALVE	4	32 086 01-S	SCREW, SHD THD FRM M6X.0X6.5	2
25 086 374-S	SCREW, PAN HEAD	8	32 393 16-S	PUMP, OIL ASS! EMBLY	1
25 237 01-S	CLAMP, HOSE	1	52 050 02-S	FILTER, OIL	1
25 096 10-S	COVER, ROCKER STAMPED STEEL	1	32 123 01-S	TUBE, OIL FEED - FILTER TO PAN	1
25 096 09-S	COVER, ROCKER STAMPED STEEL	1	32 123 09-S	OIL FEED TUBE ASSEMBLY	1
32 050 05-S	FILTER, BREATHER	1	32 136 05-S	NIPPLE, OIL FILTER	1
25 173 28-S	CAP, VALVE SPRING	2	25 139 60! -S	PLUG, CTSK PIPE 1/8"	1
25 445 03-S	STRAP, LIFT	1	32 468 02-S	WASHER, FLAT	1
			32 123 06-S	TUBE, OIL FEED	1
			32 153 05-S	O-RING	1
			STARTING SYSTEM 7-32-7		
			M-851080-S	SCREW, FLG M8X1.25X80	2
			32 098 03-S	STARTER ASSEMBLY	1

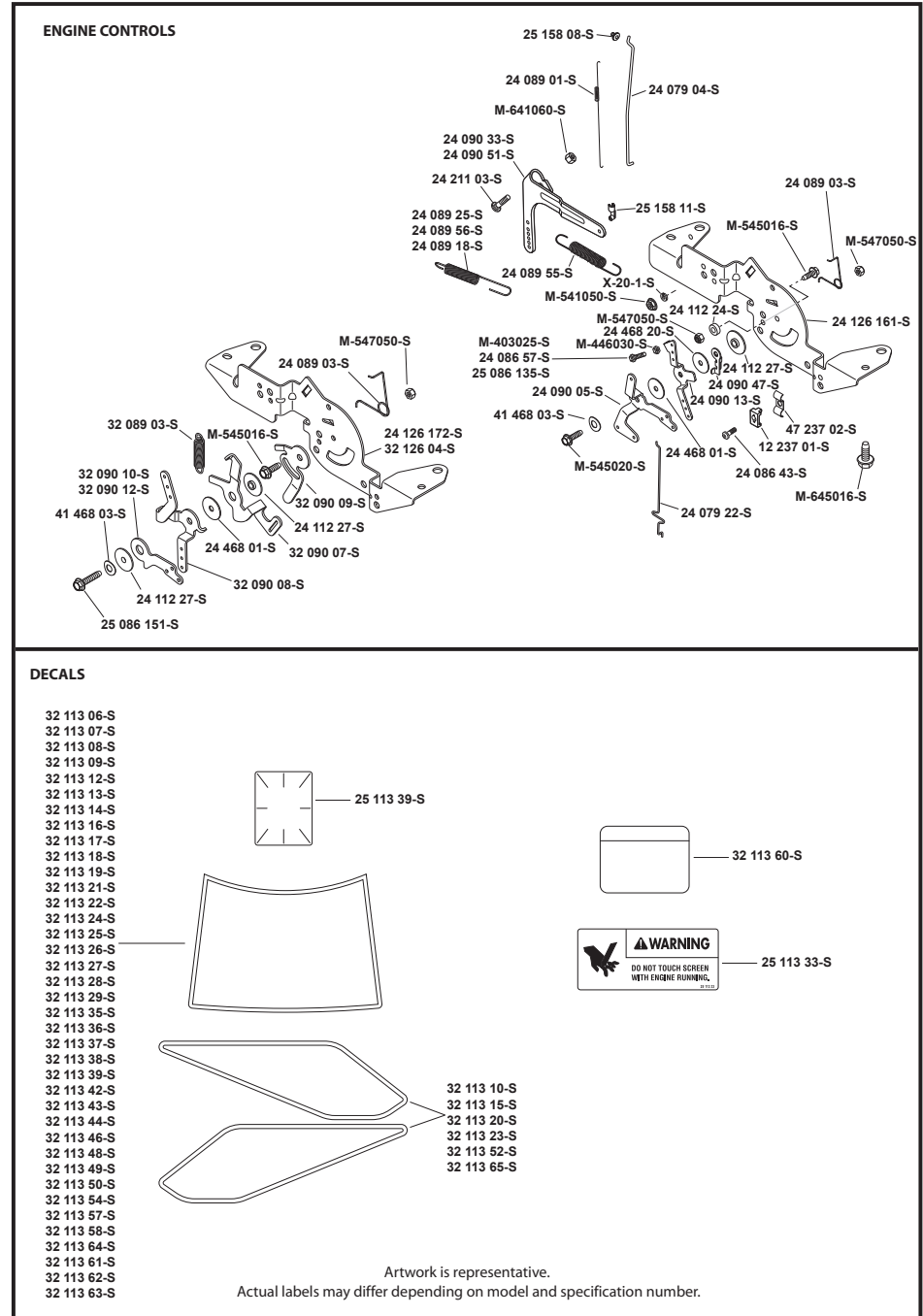
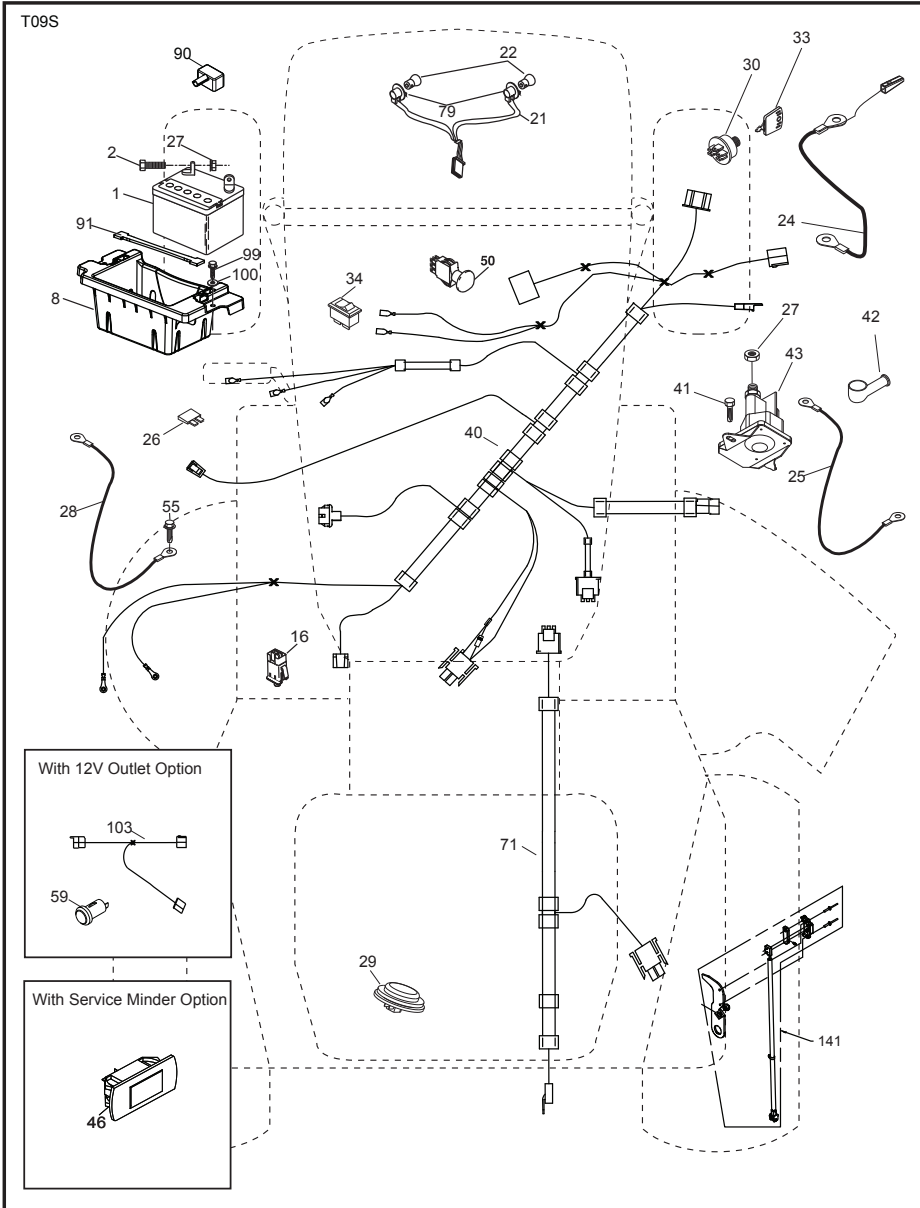
TRACTOR -- MODEL NUMBER 917.288611
KOHLER ENGINE -- MODEL NUMBER SV735, TYPE NUMBER 3022

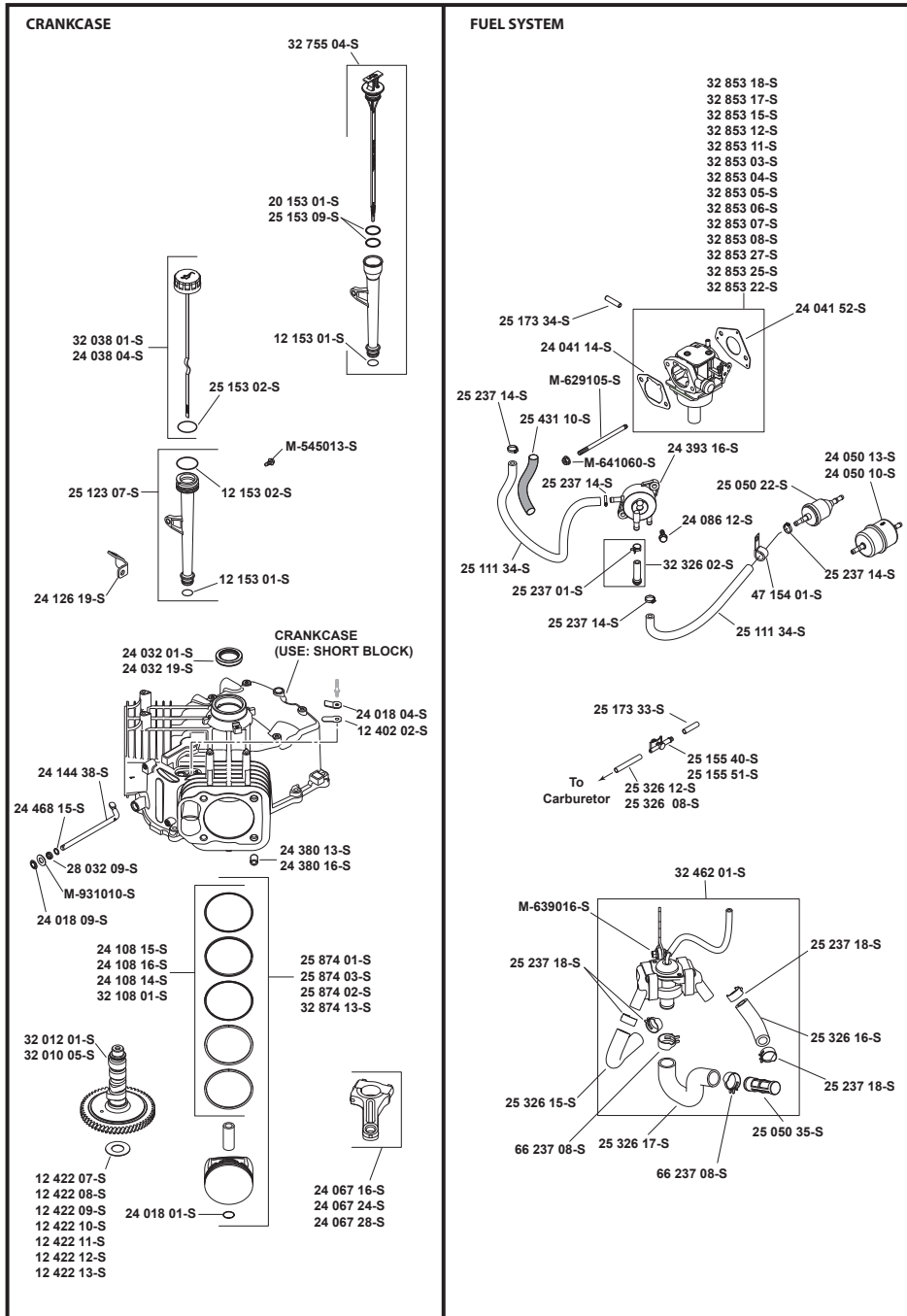
TRACTOR -- MODEL NUMBER 917.288611
SCHEMATIC

SCH12

PART	DESCRIPTION	QTY	PART	DESCRIPTION	QTY
ACCESSORIES					
24 041 49-S	GASKET, EXHAUST	2	24 402 02-S	REED, BREATHER	1
AIR INTAKE/FILTRATION 10-32-4					
24 041 14-S	GASKET, AIR CLEANER BASE	1	24 018 04-S	REI TAINER, BREATHER REED	1
32 344 02-S	LATCH, AIR CLEANER ELEMENT	1	24 380 16-S	PIN, LOCATING	6
32 083 03-S	ELEMENT, AIR FILTER	1	24 032 19-S	SEAL, OIL (HELIX LIP)	1
24 164 91-S	KIT, INTAKE MANIFOLD	1	12 422 07-S	SHIM, CAMSHAFT (WHITE .028")	1
M-651040-S	SCREW, FLG M6X1.0X40	4	12 422 08-S	SHIM, CAMSHAFT (BLUE .03")	1
25 139 60-S	PLUG, CTSK PIPE 1/8"	1	12 422 09-S	SHIM, CAMSHAFT (RED .032")	1
24 041 52-S	GASKET, CARBURETOR	1	12 422 10-S	SHIM, CAMSHAFT (YELLOW .034")	1
24 153 27-S	O-RING, INTAKE PORT	2	12 422 11-S	SHIM, CAMSHAFT (GREEN .036")	1
32 094 08-S	BASE, AIR CLEANER	1	12 422 12-S	SHIM, CAMSHAFT (GRAY .038")	1
25 326 08-S	HOSE, EVAPORATIVE, 20"	1	12 422 13-S	SHIM, CAMSHAFT (BLACK .04")	1
25 173 33-S	CAP, MASKING	1	24 018 01-S	RETAINER, PISTON PIN	1
25 155 51-S	CONNECTOR, EVAPORATIVE	1	24 067 28-S	ROD, ASSEMBLY CONNECTING (STD)	1
BLOWER HOUSING & BAFFLES 6-32-1					
32 027 03-S	KIT, HOUSING BLOWER (41 037 10-S)	1	24 018 09-S	RETAINER, RING	1
32 096 08-S	COVER, AIR CLEANER	1	24 468 15-S	WASHER, FLAT 11/32"	1
M-545016-S	SCREW, FLG THD FRM M5X0.8X16	6	28 032 09-S	SEAL, GOVERNOR CROSS SHAFT	1
M-645016-S	SCREW, FLG THD FRM M6X1.0X16	8	24 144 38-S	SHAFT, GOVERNOR CROSS	1
32 146 05-S	KIT, BACKING PLATE	1	24 126 19-S	BRACKET, OIL FILL TUBE	1
32 063 12-S	BAFFLE, CYL BARREL - #2 SIDE	1	M-545013-S	SCREW, FLG THD FRM M5X0.8X13	1
24 063 94-S	BAFFLE, VALLEY #2 CYLINDER	1	M-931010-S	WASHER, FLAT 9 MM	1
M-545010-S	SCREW, FLG THD FRM M5X.8X10	2	32 755 04-S	KIT, DIPSTICK AND TUBE	1
24 063 93-S	BAFFLE, VALLEY #1 CYLINDER	1	25 153 09-S	O-RING	2
32 063 10-S	BAFFLE, CYL BARREL - #1 SIDE	1	12 153 01-S	O-RING, LOWER OIL FILL TUBE	1
24 086 12-S	SCREW, TAP M6X1.7X18	2	32 010 05-S	CAMSHAFT ASSEMBLY	1
25 086 158-S	SCREW, FLNG THD FRM M6X1.0X102 NOT ILLUSTRATED	1	32 874 13-S	KIT, PISTON W/RING (STD)	1
41 403 10-S	REGULATOR/RECTIFIER	1	32 108 01-S	RING SET, PISTON (STD)	1
41 037 10-S	NAMEPLATE, SERVICE NOT ILLUSTRATED	1	ENGINE CONTROLS 9-32-8		
24 211 03-S BOLT, RD HD SQ NECK M6X1.0X25 1					
24 090 51-S LEVER, GOVERNOR 1					
M-641060-S NUT, FLG M6X1.0 1					
24 089 01-S SPRING, LINKAGE 1					
25 158 08-S BUSHING, LINKAGE RETAINING 1					
24 079 04-S LINKAGE, THROTTLE 1					
25 158 11-S BUSHING, THROTTLE LINKAGE 1					
M-545016-S SCREW, FLG THD FRM M5X0.8X16 1					
M-547050-S NUT, LOCK M5X.8 2					
24 089 03-S SPRING, CHOKE RETURN 1					
32 126 04-S BRACKET!, CONTROL 1					
M-645016-S SCREW, FLG THD FRM M6X1.0X16 4					
12 237 01-S CLAMP, CABLE 2					
24 086 43-S SCREW, LBD THD FRM M5X0.8X16 2					
24 079 22-S LINKAGE, CHOKE 1					
24 111 2 27-S SPACER, CONTROL ASSEMBLY 1					
24 090 47-S LEVER, THROTTLE ACTUATOR 1					
24 090 13-S LEVER, THROTTLE CONTROL 1					
24 468 01-S WASHER, FLAT 5.5 MM 1					
M-545020-S SCREW, FLG THD! FRM M5X.8X20 1					
41 468 03-S WASHER, SPRING 1/4" 1					
24 090 05-S LEVER, CHOKE 1					
M-403025-S SCREW, SLT HD CAP M4X0.7X25 1					
M-446030-S NUT, M4X0.7 1					
24 468 20-S WASHER, FLAT 5 MM 1					
24 050 13-S FILTER, FUEL 1					
24 041 14-S GASKET, AIR CLEANER BASE 1					
24 041 52-S GASKET, CARBURETOR 1					





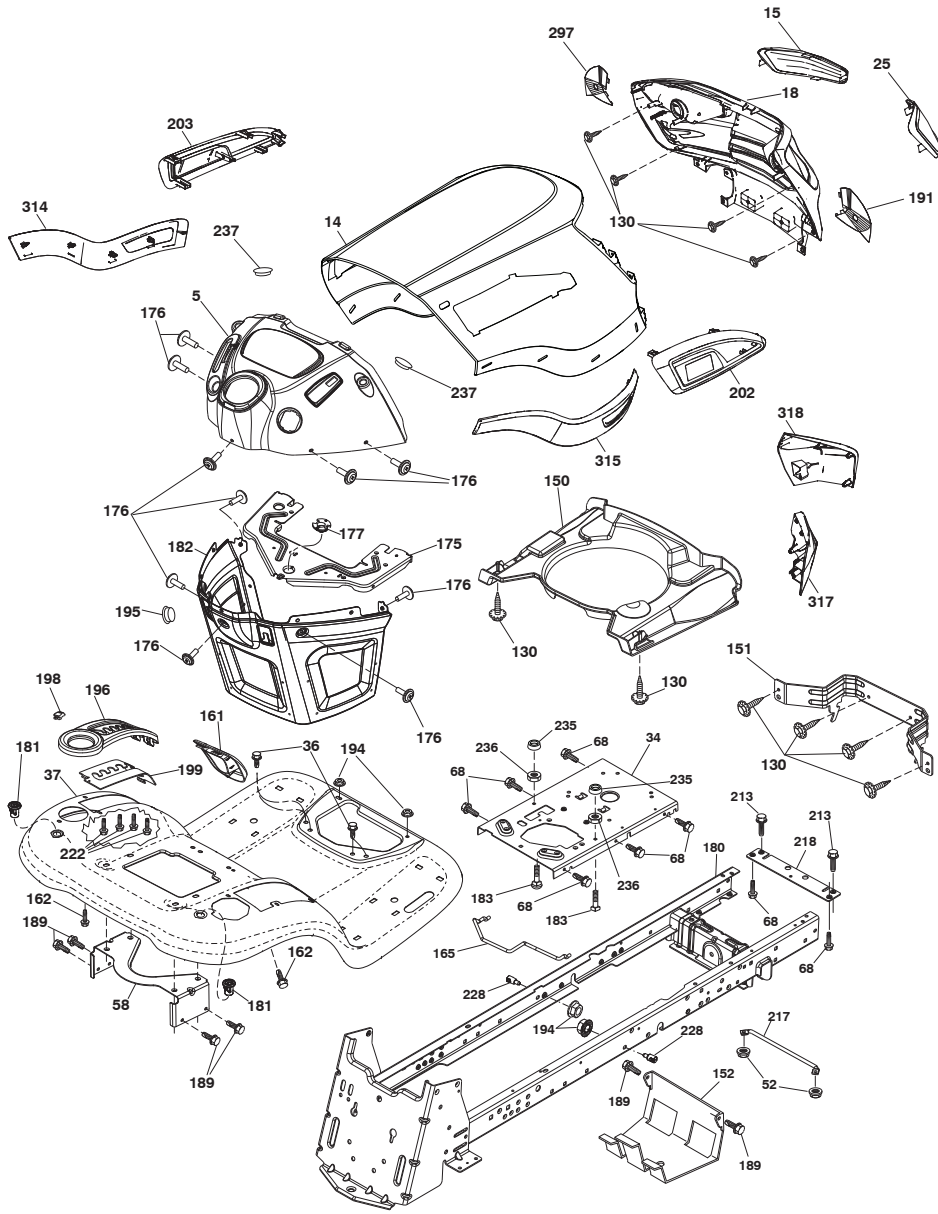


KEY PART NO. NO.

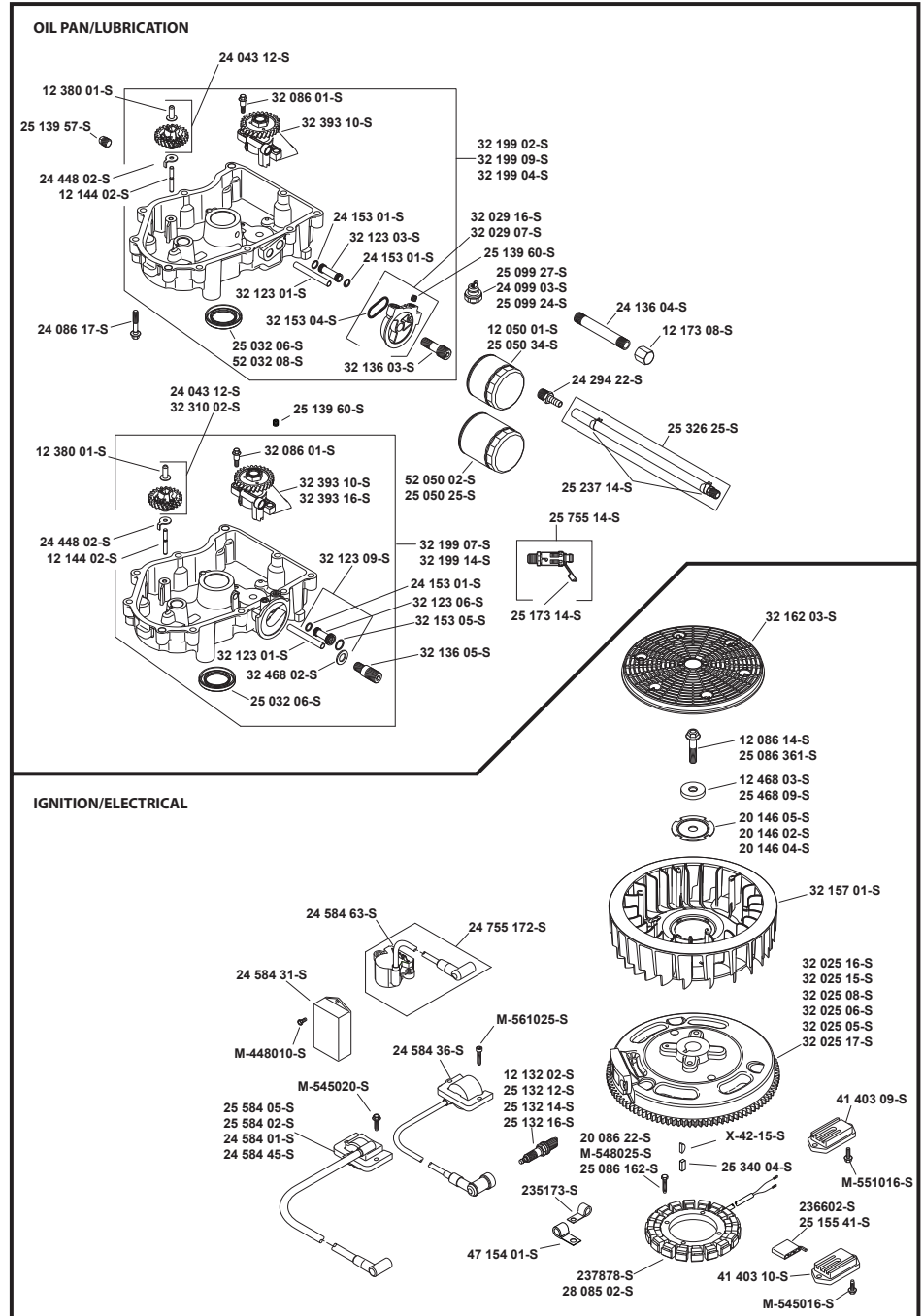
KEY PART NO.	NO.	DESCRIPTION
1	163465	Battery
2	74760412	Bolt Hex Head 1/4-20 x 3/4
8	186491	Box Battery
16	176138	Switch Interlock Push-In
21	400252	Harness Socket Light w/4152J
22	4152J	Bulb Light
24	400253	Cable Battery
25	412895	Cable Starter
26	175158	Fuse
27	73510400	Nut Keps Hex 1/4-20 unc
28	145491	Cable, Ground
29	401545	Switch, Seat
30	193350	Switch, Ign
33	411932	Key/Chain
34	110712X	Switch Light/Reset
40	401104	Harness Ign. Dash
41	17720408	Screw 1/4-20 x 1/2
42	131563	Cover, Terminal
43	192507	Solenoid
46	401763	Gauge Hourmeter
50	174652	Switch, PTO
55	17060512	Screw 5/16-18 x 3/4
71	194276	Harness Ignition
79	175242	Socket Asm. Bulb
90	435395	Cover Terminal Battery
91	190270	Strap Battery Mount Front
99	17670412	Screw Hexwsh Thdrol 1/4-20 x 3/4
100	19091416	Washer 9/32 x 7/8 x 16 Ga.
141	421225	Kit G700/G730 ROS Service

NOTE: All component dimensions given in U.S. inches
 1 inch = 25.4 mm

TRACTOR - - MODEL NUMBER 917.288611
CHASSIS AND ENCLOSURES

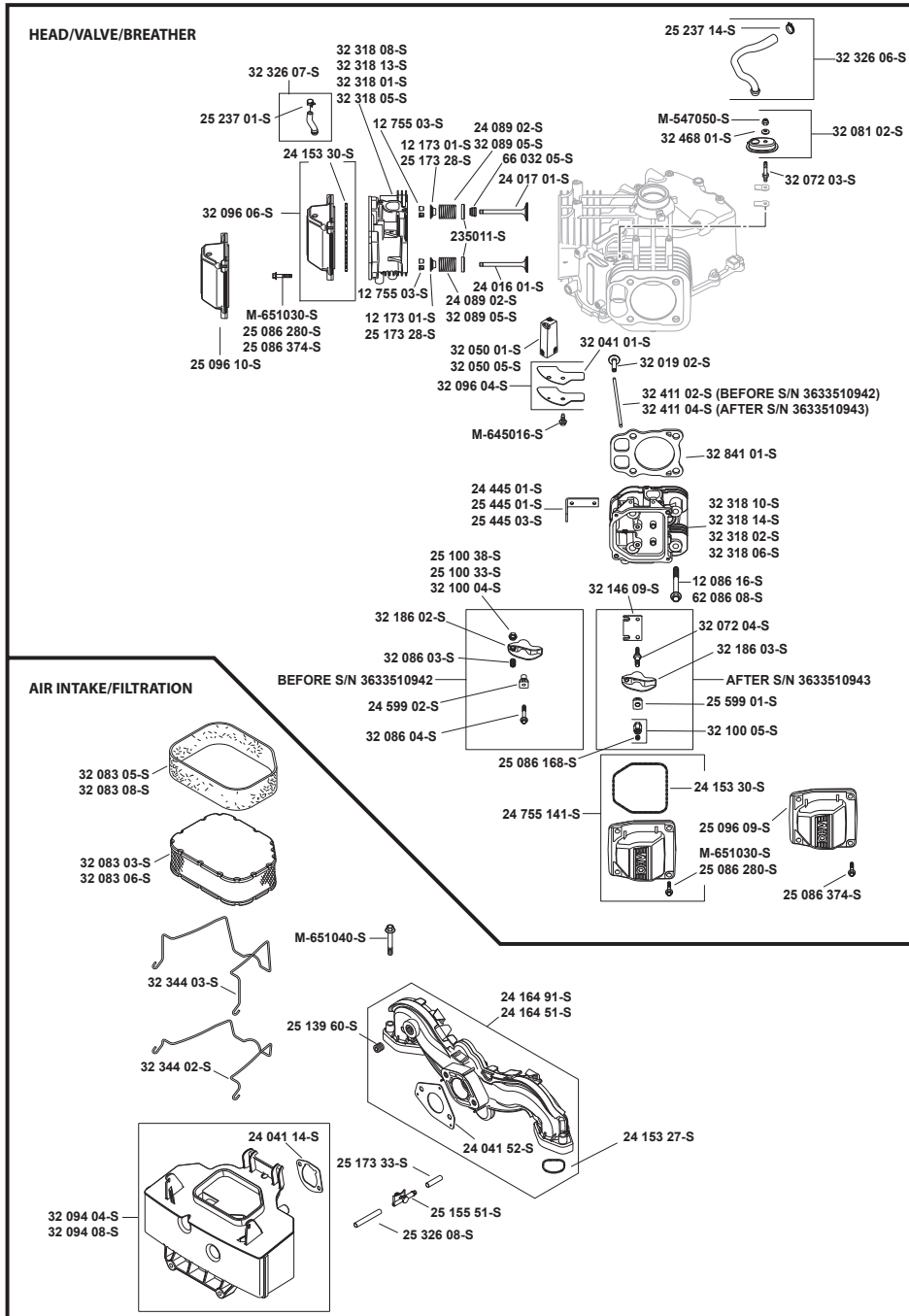


TRACTOR - - MODEL NUMBER 917.288611
KOHLER ENGINE - - MODEL NUMBER SV735, TYPE NUMBER 3022



TRACTOR - - MODEL NUMBER 917.288611
KOHLER ENGINE - - MODEL NUMBER SV735, TYPE NUMBER 3022

TRACTOR - - MODEL NUMBER 917.288611
CHASSIS AND ENCLOSURES

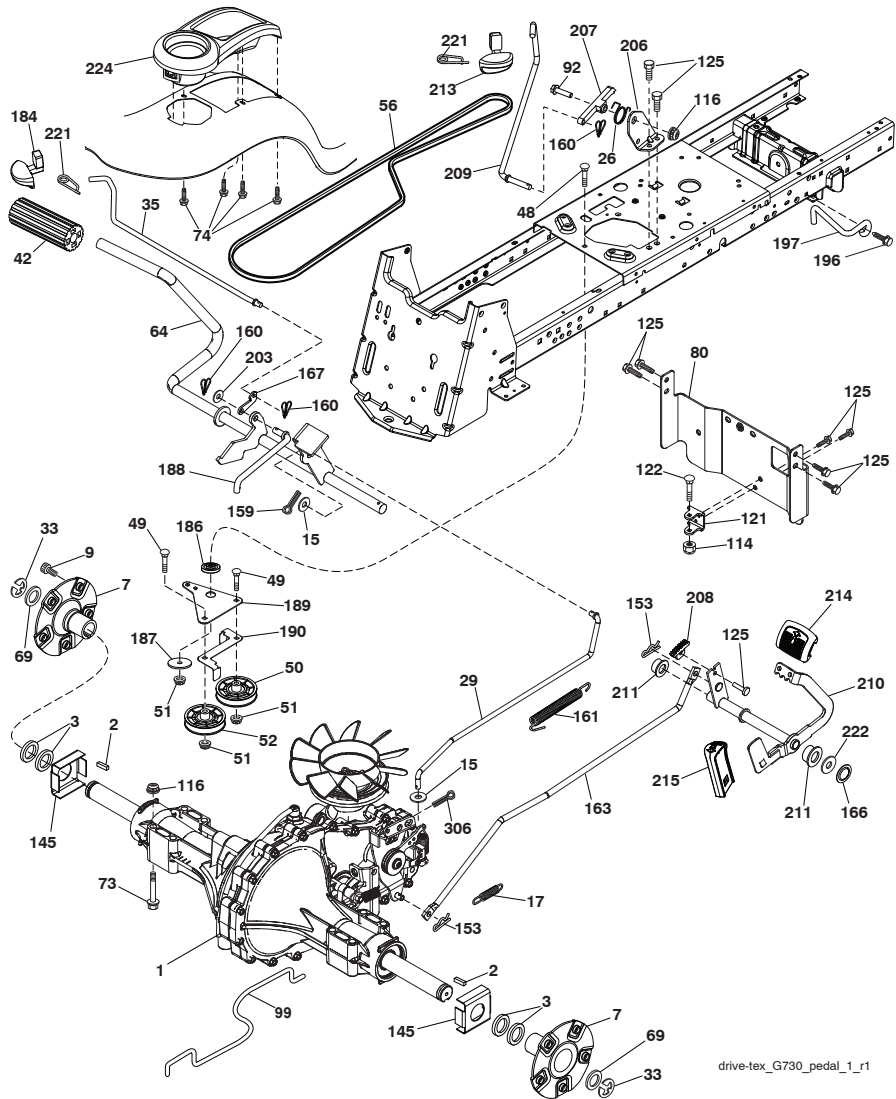


KEY PART NO.	NO.	DESCRIPTION
5	421811X428	Dash
14	421154X428	Hood
15	421493X599	Lens LH
18	441721X428	Grille
25	421494X599	Lens RH
34	196125	Plate Engine
36	17060512	Screw 5/16-18 x 3/4
37	400009X428	Fender
52	73680500	Nut Lock 5/16-18
58	194314	Brack Support Fender
68	17490508	Screw Thdrol 5/16-18 x 1/2
130	416358	Screw #10 x 0.750
150	199411	Duct Heat Hood
151	196332	Bracket Pivot
152	199535	Shield Browning/Debris
161	193097X428	Window Fuel
162	142432	Screw Hex Wsh Hi-Lo 1/4 x 1/2
165	196826	Support Tank Rear
175	196304	Crossmember
176	400776	Screw
177	195227	Bushing Steering
180	195477	Chassis
181	193102X428	Bushing Mtg. Fender Crgo.
182	406859	Dash Lower
183	74520520	Bolt 5/16-18 x 1-1/4
189	17000512	Screw 3/8-16 x 3/4

KEY PART NO.	NO.	DESCRIPTION
191	425407	Insert Reflective RH
194	73900500	Nut Lock Hex Flange 5/16-18
195	401556X428	Plug Hole Dash
196	419828X428	Console Asm. Deck Lift
198	197300X667	Indicator Deck Lift
199	419350	Plate Deck Lift
202	441979X428	Vent Side Hood RH
203	441988X428	Vent Side Hood LH
213	74760512	Bolt 5/16-18 unc x 3/4
217	409167	Rod Pivot Hood
218	196395	X-Piece Hood Stop
222	137729	Screw 1/4-20 x 5/8
228	195161	Stud Fastener
235	406129	Spacer Fender
236	73930500	Nut 5/16-18 unc
237	403704	Plug Mount Cargo
297	425406	Insert Reflective LH
314	442008	Trim Side LH
315	442007	Trim Side RH
317	421257X428	Cap Corner RH
318	421258X428	Cap Corner LH
--	441927	Kit Brush Guard

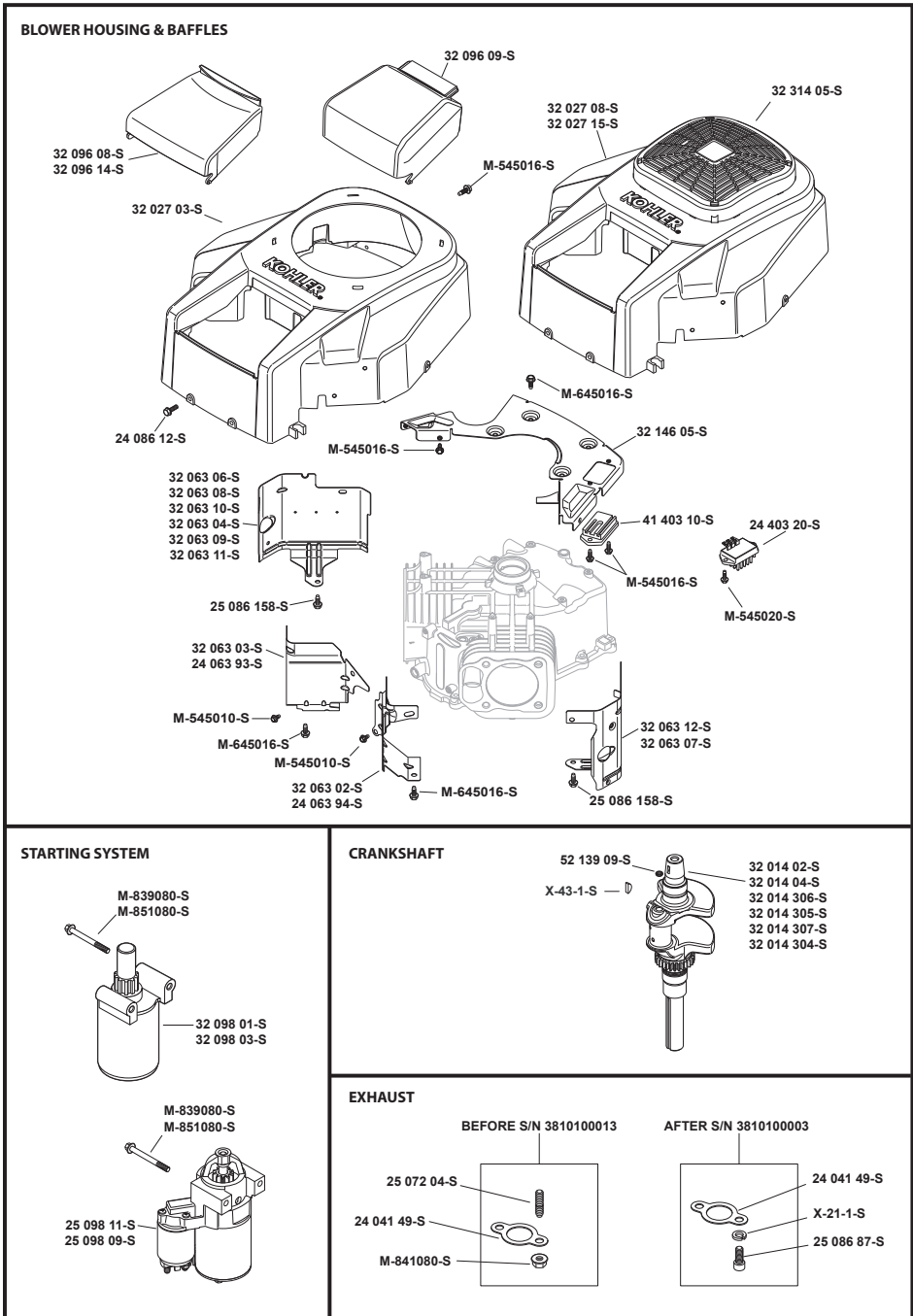
NOTE: All component dimensions given in U.S. inches
 1 inch = 25.4 mm

TRACTOR - - MODEL NUMBER 917.288611
GROUND DRIVE

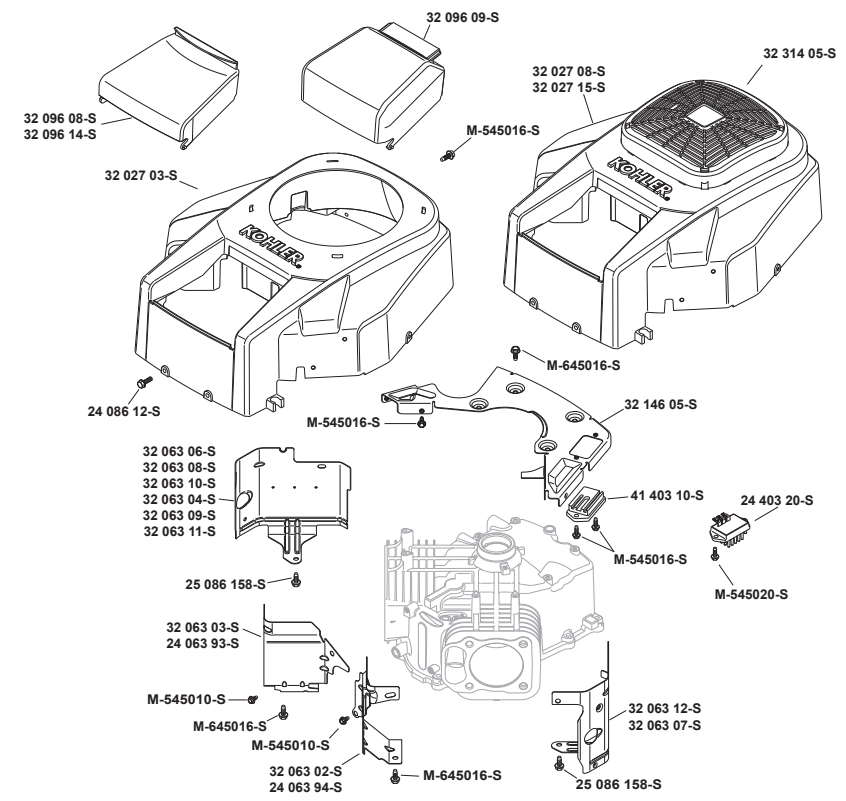


drive-tex_G730_pedal_1_r1

TRACTOR - - MODEL NUMBER 917.288611
KOHLER ENGINE - - MODEL NUMBER SV735, TYPE NUMBER 3022



BLOWER HOUSING & BAFFLES



TRACTOR - - MODEL NUMBER 917.288611

HYDRO GEAR TRANSAXLE - - MODEL NUMBER G7-BCBB-1XDC-1FCA

KEY PART NO.	PART NO.	DESCRIPTION
141		Assembly Rtn, Neutral
156		Retainer, Switch
157		Rivet, 5/32
158		Switch, Rcs
215	421226	Kit, G700 Rtn/Ros
44		Arm, Control
(46)		Screw, 5/16-18 X 1
145		Assembly, Rtn
146		Washer, .343 X 1.500 X .062
157		Rivet, 5/32
159		Clip, Actuator
216	421227	Kit, Breather
		Fitting, 9/16 Sae
		Cap, Barbed Vent
217	421228	Kit, Bypass
34		Bypass Arm
(35)		Retaining Ring
218	421229	Kit, Filter Guard
105		Hfhcs 1/4-20 X .75
106		Guard, Filter, Lh
219	422129	Kit, Damper
115		Damper
116		Bracket
117		Stud, Threaded Ball
118		Washer, 5/16 Lock
119		Nut, Hex 5/16-18

() Indicates that part is listed elsewhere and is available as an individual part.

NOTE: All component dimensions given in U.S. inches
1 inch = 25.4 mm

TRACTOR - - MODEL NUMBER 917.288611

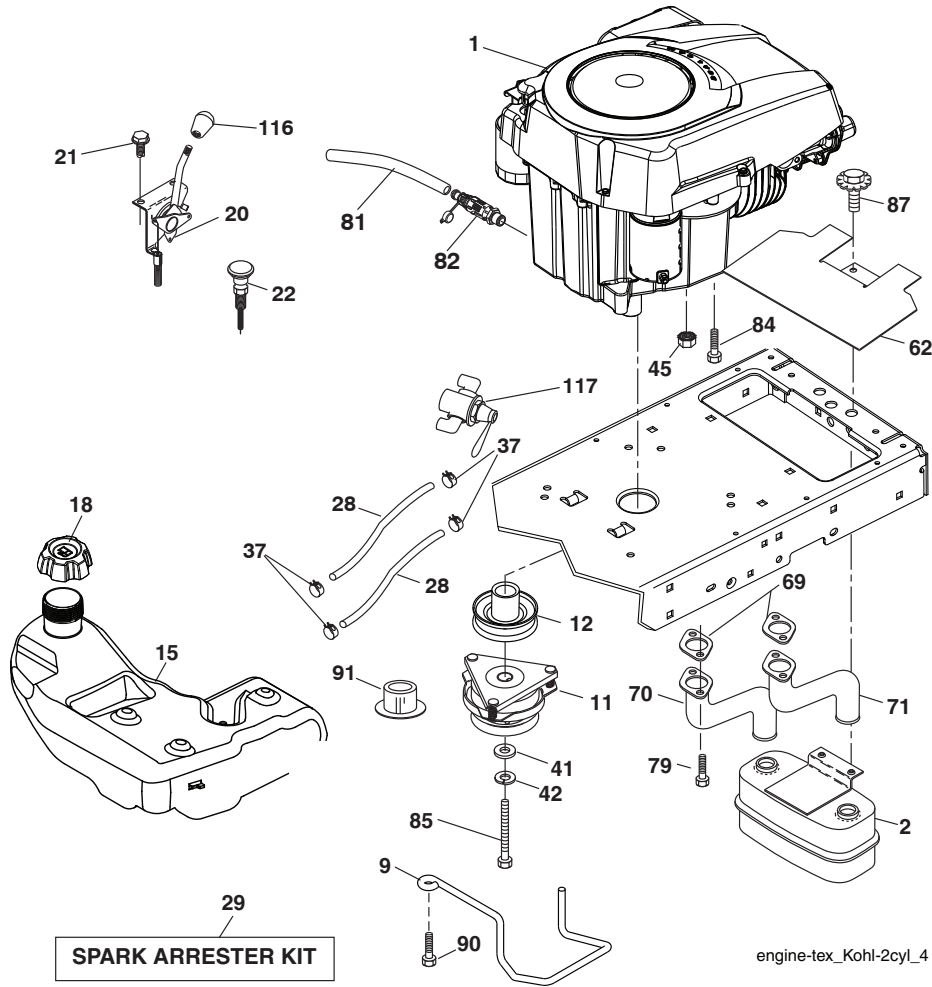
GROUND DRIVE

KEY PART NO.	PART NO.	DESCRIPTION	KEY PART NO.	PART NO.	DESCRIPTION
1	420331	Transaxle, Hydro G7-BCBB-1XDC-1FCA	160	169484	Retainer Clip
2	7070E	Key 1/4 x 2.5	161	105709X	Spring, Return, Clutch
3	7563R	Washer Thrust Axle Hardened	163	418185	Rod Pedal Control
7	199837	Hub Asm. Wheel	166	429164	Nut Push .625
9	140080	Bolt Hub Wheel	167	405257	Latch Brake Parking
15	19131316	Washer 13/32 x 13/16 x 16 Ga.	184	196439X667	Handle Parking Brake
17	197296	Spring, Brake	186	194321	Spacer Retainer
26	199679	Spring Return Cruise	187	19133210	Washer
29	418186	Rod, Brake	188	194323	Link Clutch Ground Drive
33	12000053	Ring E	189	407504	Bellcrank Ground Drive
35	435486	Rod, Brake, Park	190	407505	Keeper Bellcrank Ground Drive
42	8883R	Cover, Foot Pedal	196	17000616	Screw 3/8-16 x 1
48	72110612	Bolt Carr Sh 3/8-16 x 1-1/2 Gr. 5	197	199769	Bracket Clutch Anti-Rotation
49	72110614	Bolt	203	19111116	Washer 11/32 x 11/16 x 16 Ga.
50	194327	Pulley Idler Flat	206	197867	Bracket Mount Latch Cruise
51	73900600	Lock Nut 3/8-16	207	197868	Latch Control Cruise
52	194326	Idler V-Groove 910" Offset	208	197869	Gear Sector Control Cruise
56	420807	V-Belt, Drive	209	199592	Rod Control Cruise
64	197865	Shaft Asm. Pedal Brake Control	210	197860	Rocker Asm. Pedal Control
69	123800	Washer 1-1/32 x 1-5/8 x 16 Ga.	211	120183	Bearing Nylon
73	74490548	Bolt Hex 5/16-18 x 3 Gr. 5	213	196441X428	Knob Control Cruise
74	142432	Screw 1/4 x 1/2	214	421263	Pedal Forward
80	418184	Strap Torque	215	197301X428	Pedal Reverse
92	74760520	Bolt 5/16-18 x 1/2	221	403187	Retainer Spring Clip Handle
99	418188	Spring Bypass	222	79212010	Washer 21/32 x 1-1/4 x 10 Ga.
114	73800500	Nut Lock Hex W/Ins. 5/16-18 unc	224	193099X428	Console Toolbox
116	73900500	Nut Lock Hex Flange 5/16-18	306	76020416	Pin Cotter
121	175611	Bracket Strap Torque			
122	72010520	Bolt 5/16-18 x 2.50			
125	17000512	Screw 5/16-18 x 3/4			
145	163168	Washer Axle Flange			
153	4497H	Retainer Spring			
159	76020412	Pin Cotter 1/8 x 3/4			

NOTE: All component dimensions given in U.S. inches
1 inch = 25.4 mm

TRACTOR -- MODEL NUMBER 917.288611

ENGINE



KEY PART NO.	NO.	DESCRIPTION
1	438352	Engine Kohler Model No. SV735 -3022 (See Engine Breakdown)
2	149723	Muffler
9	408667	Keeper Belt Engine
11	179335	Clutch Electric
12	194343	Pulley Engine
15	438082	Tank Fuel 4.0
18	430214	Cap Asm Fuel
20	426184	Control Throttle
21	416358	Screw 10 x .750 BOS Thread
22	187767X428	Control Choke
28	401135	Fuel Line
29	137180	Spark Arrester Kit
37	123487X	Clamp Hose
41	126197X	Washer 1-1/2 OD x 15/32 ID x .250
42	10040700	Washer Lock 7/16
45	73510400	Nut Keps Hex 1/4-20 unc

KEY PART NO.	NO.	DESCRIPTION
62	434017	Shield Heat Muffler
69	-----	Gasket (Order from Eng. Mfr.)
70	146699	Tube Exhaust LH
71	146700	Tube Exhaust RH
79	192334	Screw 5/16-18 x 3/4
81	148456	Tube Drain Oil Easy
82	428287	Valve Drain Oil
84	17120616	Screw 3/8-16 x 1
85	179953	Bolt Hex 7/16-20 x 3.75 Gr. 5
87	198239	Bolt 5/16-18 unc x 1 w/Sems
90	17000616	Screw 3/8-16 x 1
91	187495	Bushing
116	423109X659	Knob Oval Tapered 3/8-16
117	420828	Value Fuel Reserve

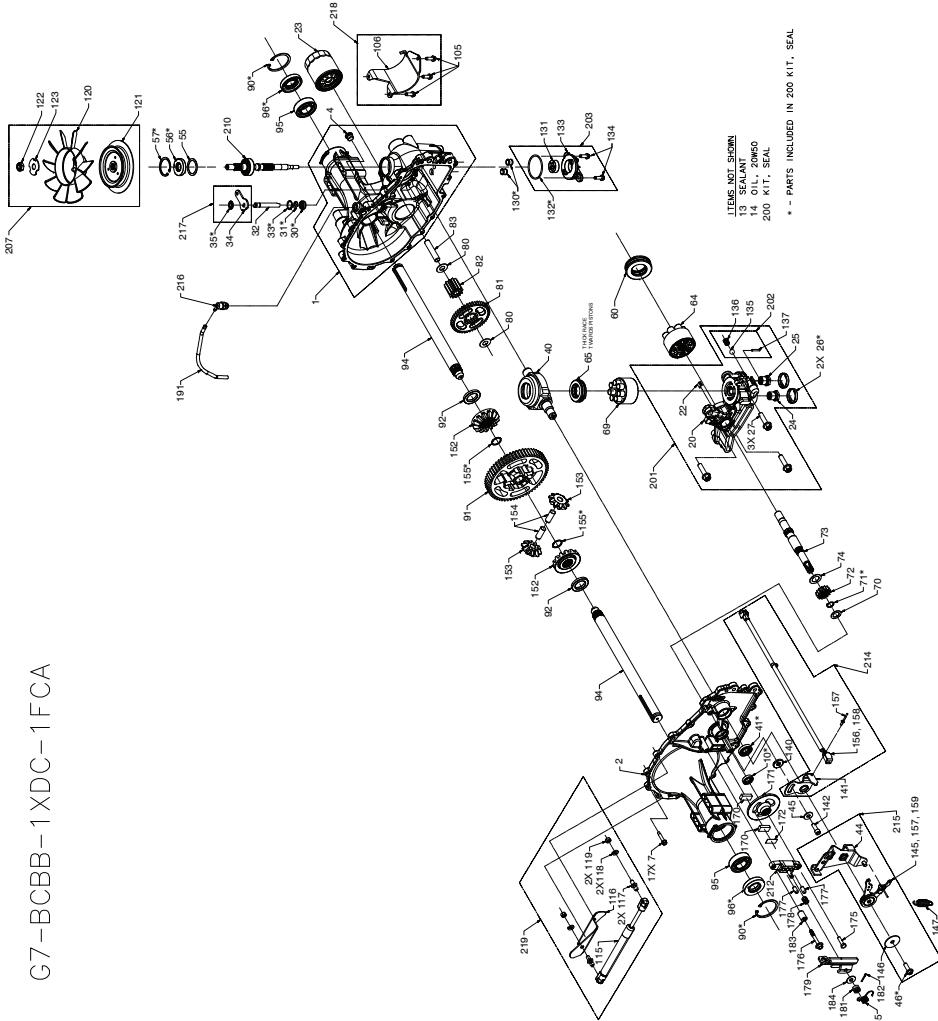
NOTE: All component dimensions given in U.S. inches
1 inch = 25.4 mm

TRACTOR -- MODEL NUMBER 917.288611

HYDRO GEAR TRANSAXLE -- MODEL NUMBER G7-BCBB-1XDC-1FCA

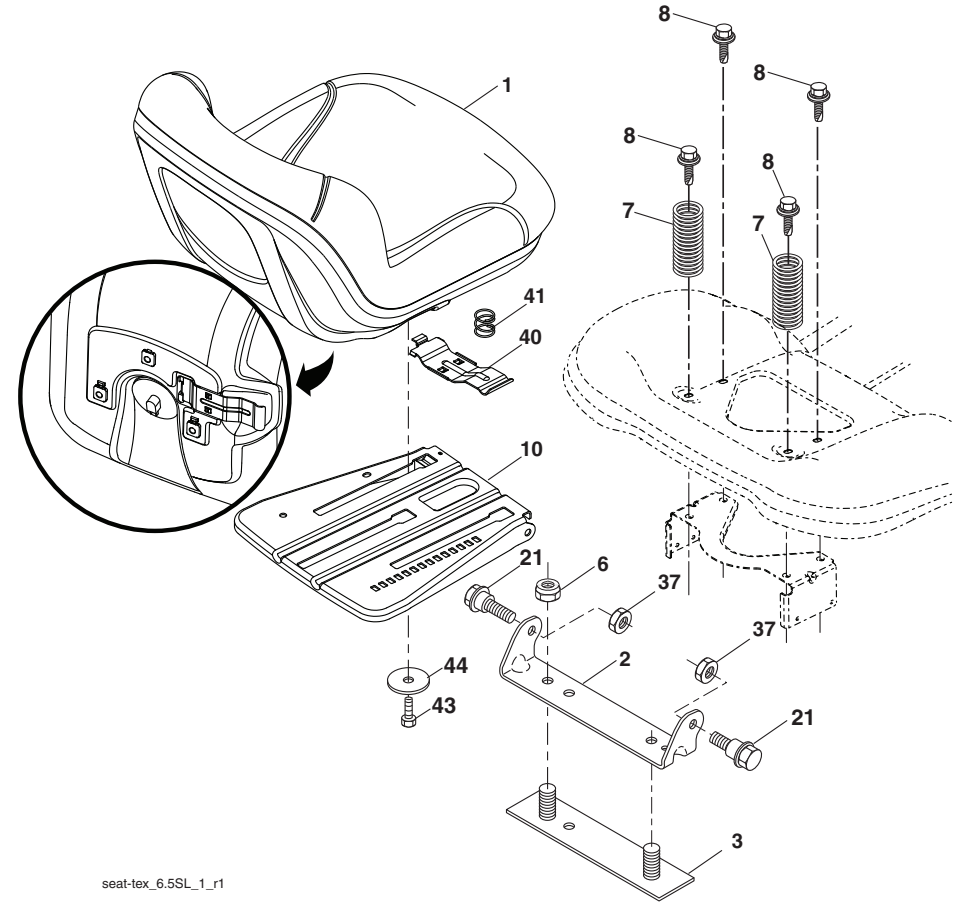
KEY PART NO.	NO.	DESCRIPTION	KEY PART NO.	NO.	DESCRIPTION
1	421183	Kit, Housing Main	142	421211	Shcs 5/16-24 X 1 Patch
(4)		Plug 9/16-18 (Metal)	147	421212	Spring, Extention Rtn-44 Lbs
		Housing, Main	152	421213	Gear, Bevel 14t Spline Id
		Pin, .25 X .375	153	421214	Gear, Bevel 10t
		Bushing, .624 X .719 X .562	154	421215	Pin, .499 X 1.20
		Bushing, .865 X .985 X .790	155	421216	Ring, Spiral Ret .875
		Bearing, Flange 1.0 X 1.376 X .99	170	142883	Puck, Brake
2	421184	Kit, Housing, Side	171	421217	Rotor, Brake
		Housing, Side	172	142882	Plate, Puck
		Bushing, .624 X .729 X .562	175	142892	Bolt, Hex Head 1/4-20 X 1 W/Patch
		Bushing, .865 X .985 .790	176	170410	Bolt, Hex Head 1/4-20 X 2 W/Patch
		Bearing, Flange 1.0 X 1.376 X .99	177	170409	Pin, Brk .31 X .73 Plated
4	170434	Plug 9/16-18 (Metal)	178	170417	Spring, Comp Brake Anti-Dragn
7	170356	Hfhcs 1/4-20 X 1.25"	179	178330	Arm, Brake
10	417764	Seal, Lip .625 X 1.0	181	170415	Nut, Castle 5/16-24 Pl
13	178322	Tube, Sealant	182	170416	Pin, Cotter 3/32 X 3/4
14		Oil, 20w50	183	170411	Spacer, .26 X .57 X .87
22	421185	Plate, Bypass	184	142884	Washer, .27 X .88 X .12
23	421186	Filter, Oil	185	178335	Spring, Brake Arm Bias
26	421187	Seal, Plug 1.250 X .250	191	421218	Tube .16 X .28 X 9.25
27	421188	Hfhcs 3/8-16 X 1.5 (Patch)	200	421219	Kit, Seal
30	421189	Seal, Lip .375 X .75 X .25			Pin .25 X .375
31	421190	Ring, Retaining .375 External	(10)		Seal, Lip .625 X 1.0
32	421191	Rod, Bypass	(26)		Seal, Plug 1.250 X .250
33	421192	Ring, Retaining .750 Internal	(30)		Seal, Lip .375 X .75 X .25
35	421193	Retaining Ring	(31)		Ring, Retaining .375 External
40	170354	Trunnion, Swashplate	(33)		Ring, Retaining .750 Internal
41	170363	Seal, Lip 18 X 32 X 7	(35)		Ring, Retaining .375 External
45	142884	Washer, .24 X .88 X .06	(41)		Seal, Lip 18 X 32 X 7
46	421194	Twhcs 5/16-24 X 1.00 (Patch)	(46)		Twhcs 5/16-24 X 1.00 (Patch)
55	170360	Washer, 1.23 X 1.56 X .04	(56)		Seal, Lip 17 X 40 X 7
56	170361	Seal, Lip 17 X 40 X 7	(57)		Ring, Retaining 1.575 Internal
57	169870	Ring, Retaining 1.575 Internal	(71)		Ring, Retaining .625 External
60	421195	Bearing, Thrust	(90)		Ring, Retaining 2.06 Internal
64	421196	Assembly, Block	(96)		Seal, Lip 25 X 52 X 10 Tc (Gray)
		Block	(130)		Tube, Connecting
		Spring	(132)		O-Ring, -.137, .103 X 2.050
		Seat Washer	(155)		Ring, Spiral Ret .875
		Piston	201	421220	Kit, Center Section, Lh, Chrg
65	173159	Bearing, Thrust Ball 30 X 52 X 13	20		Center Section, Lh, Chrg
69	421197	Assembly, Block	(22)		Plate, Bypass
		Block	24		Check Plug
		Spring	25		Check Plug
		Seat Washer	(26)		Seal, Plug 1.250 X .250
		Piston	(27)		Hfhcs 3/8-16 X 1.5 (Patch) Brg, Jrnl
70	170404	Washer, .63 X 1.0 X .05	135		Ball, Steel 7/16"
71	170405	Ring, Retaining .625 External	136		Spring, Relief .42 X .75
72	421198	Gear, 14t	137		Pin, Spring .125 X .875
73	421199	Shaft, Motor	202	421221	Kit, Charge Relief
74	170433	Washer, .72 X 1.16 X .04	135		Ball Steel 7/16"
80	170418	Washer, .5 X 1.0 X .03	136		Spring, Relief .42 X .75
81	421200	Gear, 45t	137		Pin, Spring .125 X .875
82	421201	Gear, 11t	203	421222	Kit, Charge
83	170394	Pin, Jackshaft	(131)		Geroter Assembly (1.9cc/Rev)
90	169539	Ring, Retaining 2.06 Internal	(132)		O-Ring 137 .103 X 2.050
91	421202	GEar, 60t	(133)		Cover, Charge Pump
92	421203	Spacer, 1.04 X 1.65 X .22	(134)		Screw, Hex Flange 1/4-20 X .75
94	421204	Shaft, Axle 1.00 X 14.48, Keyed	207	422128	Kit, Fan/Pulley
95	169535	Bearing, Ball 1.0 X 52 X 15	(120)		Fan Recess 7.0 (10 Blade)
96	161157	Seal, Lip 25 X 52 X 10 Tc (Gray)	(121)		Pulley 3.86 Inch
120	421205	Fan, Recess 7.0 (10 Blade)	(122)		Hex Lock Nut 1/2-20 (With Patch)
121	422126	Pulley 3.86 Inch	(123)		Washer, Slotted
122	150794	Hex Lock Nut 1/2-20 (With Patch)	210	421224	Kit, Input Shaft
123	199658	Washer, Slotted			Shaft, Input
130	421207	Tube, Connecting			Brg, Ball 17 X 40 X 12 OpnE 6203
131	169531	Geroter Assembly (1.9cc/Rev)			Ring, Ret Wire .561 Id
132	421208	O-Ring, -.137, .103 X 2.050	212	178329	Kit, Brake-Yoke
133	421209	Cover, Charge Pump			Bolt, Square Head
134	178343	Screw, Hex Flange 1/4-20 X .75			Brake-Yoke
140	421210	SpacEr, .320 X 1.005 X .179	214	421225	Kit, G700 Ros

TRACTOR - - MODEL NUMBER 917.288611
HYDRO GEAR TRANSAXLE - - MODEL NUMBER G7-BCBB-1XDC-1FCA



G7-BCBB-1XDC-1FCA

TRACTOR - - MODEL NUMBER 917.288611
SEAT ASSEMBLY



seat-tex_6.5SL_1_r1

**KEY PART
 NO. NO.**

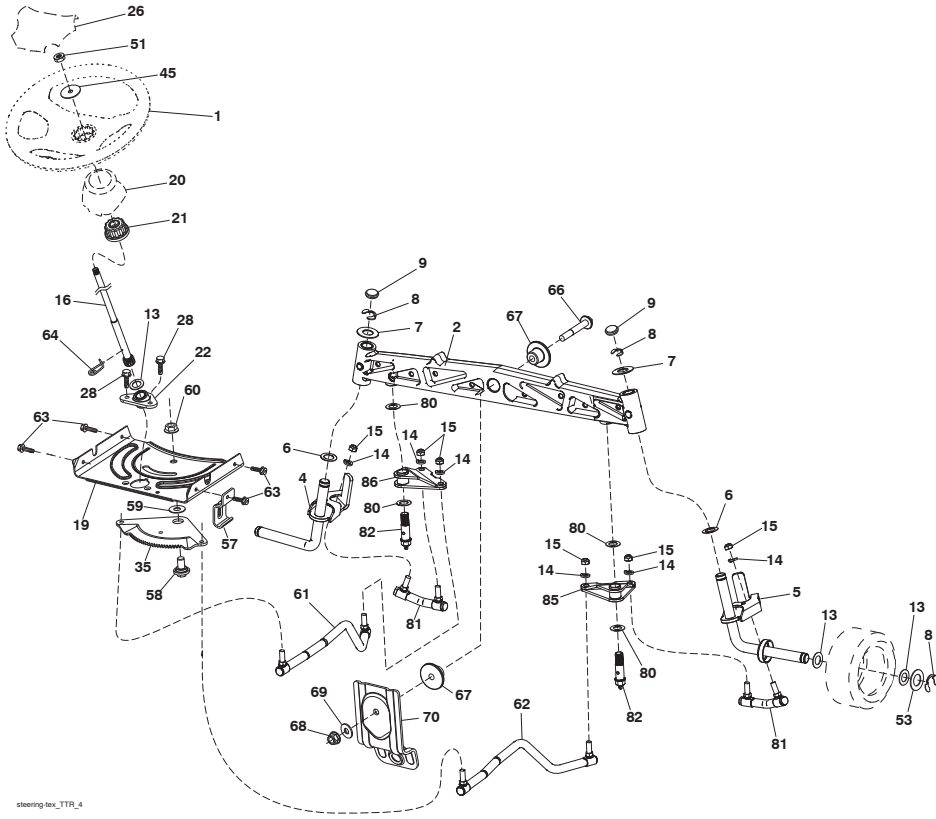
NO.	NO.	DESCRIPTION
1	423810	Seat
2	180166	Bracket Pivot Fender
3	140675	Strap, Asm Fender
6	73800600	Nut, Lock w/Ins. 3/8-16 unc
7	124181X	Spring, Seat Cprsn
8	171877	Bolt 5/16-18 unc x 3/4 w/Sems
10	196977	Pan, Seat
21	171852	Bolt, Shoulder 5/16-18

**KEY PART
 NO. NO.**

NO.	NO.	DESCRIPTION
37	73800500	Nut, Lock 5/16-18 unc
40	197661	Handle Slide Seat
41	198200	Spring Latch Seat
43	74760612	Bolt 3/8-16 unc x 3/4
44	19133812	Washer 13/32 x 2-3/8 x 12 Ga.

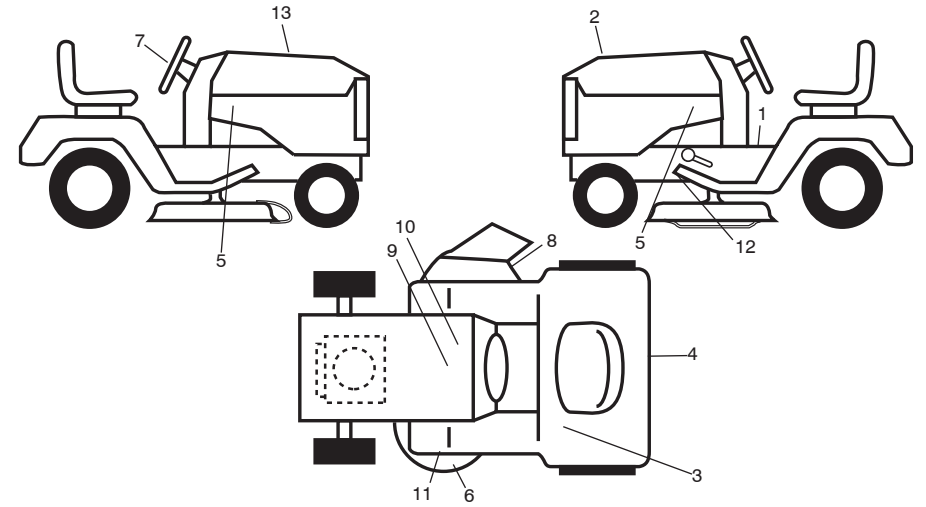
NOTE: All component dimensions given in U.S. inches
 1 inch = 25.4 mm

TRACTOR -- MODEL NUMBER 917.288611
STEERING ASSEMBLY



steering_tex_TTR_4

TRACTOR -- MODEL NUMBER 917.288611
DECALS



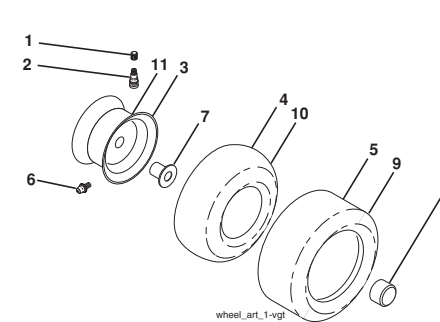
KEY PART NO.

KEY PART NO.	PART NO.	DESCRIPTION
1	434529	Decal, Warning
2	426076	Decal, Maintenance
3	426209	Decal, Warn. Reserve Fuel
4	441122	Decal, Fender
5	441123	Decal, Hood
6	170563	Decal, Mower
7	439525	Decal, Steering
8	198785	Decal, Mower Schematic
9	434996	Decal, Battery Warning
10	434995	Decal, Battery

KEY PART NO.

KEY PART NO.	PART NO.	DESCRIPTION
11	178455	Decal, Mower Caution
12	421534	Decal, Mower V-Belt Schematic
13	426156	Decal Replacement
14	438160	Label EPA Compliance
--	166960	Decal Bypass
--	193279X428	Pad Footrest RH
--	193101X428	Pad Footrest LH
--	441273	Manual, Operator's (Eng/Span)
--	442172	Manual, Parts

WHEELS & TIRES



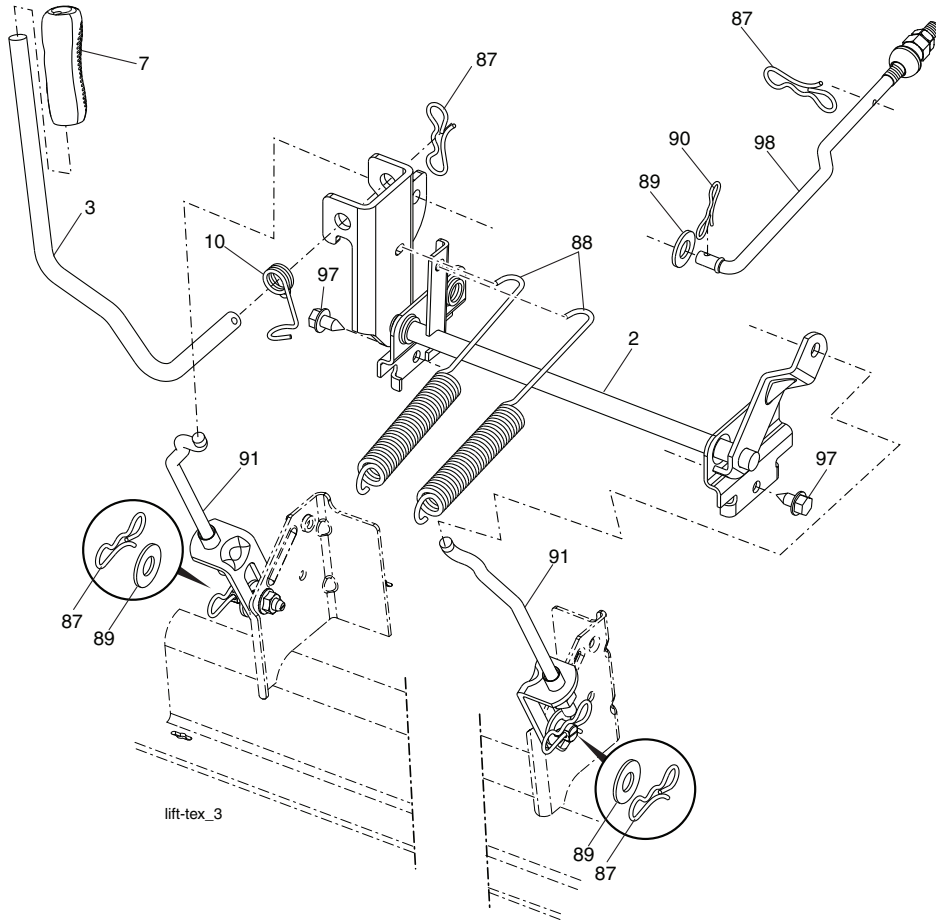
wheel_art_1-vgr

KEY PART NO.

KEY PART NO.	PART NO.	DESCRIPTION
1	59192	Cap, Valve, Tire
2	65139	Stem, Valve
3	148736X613	Rim Assembly, Front
4	8134H	Tube, Front (Service Item Only)
5	106230X	Tire, Front
6	278H	Fitting, Grease (Front Wheel Only)
7	9040H	Bearing, Flange (Front Wheel Only)
8	104757X428	Cap, Axle (Front Wheel Only)
9	105588X	Tire, Rear
10	7154J	Tube, Rear (Service Item Only)
11	106277X613	Rim Assembly, Rear
--	144334	Sealant, Tire (10 oz. Tube)

NOTE: All component dimensions given in U.S. inches
 1 inch = 25.4 mm

TRACTOR - - MODEL NUMBER 917.288611
LIFT ASSEMBLY



KEY NO.	PART NO.	DESCRIPTION
2	422027	Shaft Asm., Lift
3	419497	Lever Asm., Lift RH
7	196492X428	Grip, Lever
10	196314	Spring Torsion
87	194209	Pin Cotter 7/16 Bow Tie Lock
88	195304	Spring Lift Assist
89	19191912	Washer Clear Zinc

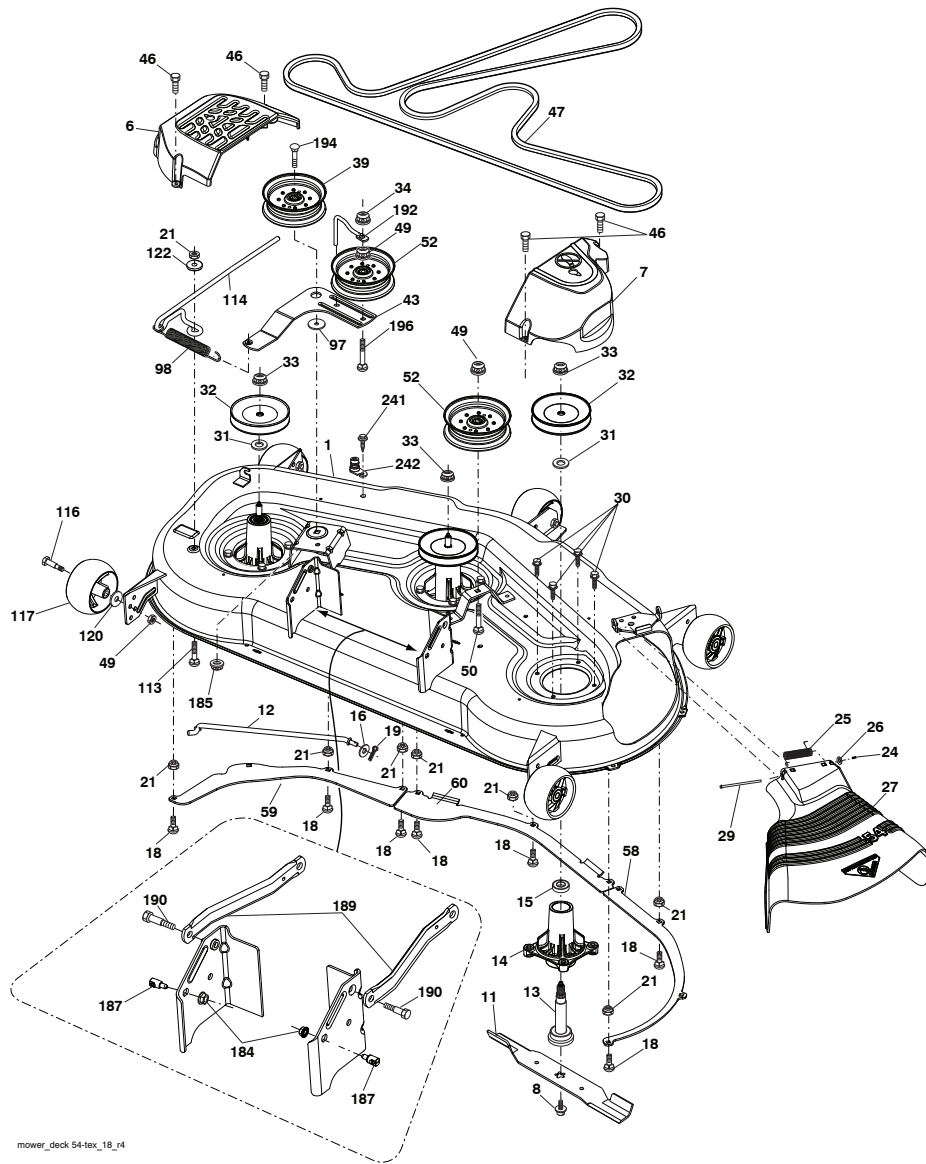
KEY NO.	PART NO.	DESCRIPTION
90	194208	Pin Cotter 5/16 Bow Tie Lock
91	403407	Link Lift Asm. Rear
97	17000612	Screw 3/8-16 x .75 R.Z
98	195264	Link Asm. Susp. Front Mower

NOTE: All component dimensions given in U.S. inches
 1 inch = 25.4 mm

TRACTOR - - MODEL NUMBER 917.288611
STEERING ASSEMBLY

KEY NO.	PART NO.	DESCRIPTION
1	414851X615	Wheel, Steering
2	436870	Axle Asm., Front
4	436873	Spindle Asm., LH
5	436874	Spindle Asm., RH
6	6266H	Washer Thrust 0.75 x 1.23
7	121748X	Washer 25/32 x 1-5/8 x 16 Ga.
8	12000029	Ring, Clip #T5304-75
9	184946X667	Cap, Spindle
13	121749X	Washer 25/32 x 1-1/4 x 16 Ga.
14	10040600	Washer Lock 3/8
15	73540600	Nut, Crown Lock 3/8-24 unf
16	440785	Shaft Locking
19	194729	Plate Steering
20	199676X428	Boot, Steering
21	437747	Adapter, Wheel Steering
22	194845	Bushing Strg. Blk
26	414852X615	Insert, Wheel Steering
28	17000612	Screw 3/8-16 x 3/4
35	440770	Gear, Sector Plate
45	19183812	Washer
51	73940800	Nut Hex Jam Toplock 1/2-20 unf
53	188967	Washer Hardened .793 x 1.637 x .060
57	197246	Bracket Upstop
58	194747	Bolt Shoulder Sector Pivot CFM
59	194748	Washer Thrust Sector Steering
60	73971000	Nut Flange Lock 5/8-11
61	436884	Draglink, LH
62	436885	Draglink, RH
63	17000512	Screw 5/16-18 x 3/4
64	199849	Retainer Clip Spring Steering
66	71020748	Bolt Hex Fghd 7/16-14 x 3 Serr
67	194737	Bushing PM Front Axle
68	73900700	Nut Lock Flange 7/16-14 Gr. 5
69	199162	Washer 1.5 x .505 x .118
70	196197	Bracket Deck Susp. Front
80	1370H	Washer
81	436887	Link Cross RH
82	436877	Pivot Bolt
85	441873	Pivot RH
86	441872	Pivot LH

NOTE: All component dimensions given in U.S. inches
 1 inch = 25.4 mm



mower_deck 54-lex_18_r4

KEY PART NO.	NO.	DESCRIPTION
1	417743X613	Deck Weldment Mower
6	196066	Cover Mandrel LH
7	197181	Cover Mandrel RH
8	193003	Bolt/Washer Asm. 7/16-20 unf
11	187256	Blade Bagging
12	400337	Rod Anti Sway
13	187291	Shaft Asm. w/Lower Bearing
14	187281	Housing, Mandrel
15	110485X	Bearing, Ball, Mandrel
16	19131312	Washer 13/32 x 13/16 x 12 Ga.
18	72140505	Bolt RdHd 5/16-18 unc x 5/8
19	194208	Pin Cotter 5/16 Bow Tie Lock
21	73680500	Nut, Crownlock 5/16-18 unc
24	105304X	Cap Sleeve
25	178102	Spring, Torsion
26	110452X	Nut, Push
27	187257X428	Deflector Shield
29	131491	Rod, Hinge
30	173984	Screw, Thdroll Washer Head
31	187690	Washer, Spacer Mandrel
32	153535	Pulley, Mandrel
33	400234	Nut, Flg. Top Lock
34	73680600	Nut
39	197380	Pulley, Idler
43	196065	Arm, Idler
46	137729	Screw, Thdroll. 1/4-20 x 5/8
47	196103	V-Belt, Mower
49	73900600	Nut, Lock Flg. 3/8-16 unc
50	72110616	Bolt, Carr. 3/8-16 x 2
52	197379	Pulley Idler
58	187342	Baffle Right
59	187344	Baffle Left
60	187607	Baffle Center
97	178515	Washer Hardened
98	196105	Spring Drive
113	72110508	Bolt Rdhd Sqnk 5/16-18 x 3/4
114	187556	Rod Tension Relief
116	193406	Bolt, Shoulder
117	174873	Gauge Wheel
120	19132012	Washer 13/32 x 1-1/4 x 12 Ga.
122	187557	Bushing Tension Relief
184	73900500	Nut Lock Flange 5/16-18
185	73900700	Nut Lock Flange 7/16-14 Gr. 5
187	195161	Stud Fastener w/"D" Anti-Rotation
189	195185	Arm Susp. Mower Rear
190	196539	Bolt Shoulder
192	198468	Keeper Belt Idler
194	74490736	Bolt Carr Sqnk 3/8-16 x 2-1/4
196	72140620	Bolt RdHd 3/8-16 unc x 2-1/2 Gr. 5
241	152927	Screw
242	415598	Washout Port
--	187292	Mandrel Asm. Service (Includes Key Nos. 13-15 and 33)
--	416405	Coupling Quick Connect
--	441939	Replacement Mower, Complete

NOTE: All component dimensions given in U.S. inches
1 inch = 25.4 mm