

NEED MORE HELP?

You'll find the answer and more on managemyhome.com – for free!

- Find this and all your other product manuals online.
- Get answers from our team of home experts.
- Get a personalized maintenance plan for your home.
- Find information and tools to help with home projects.

manage my home

brought to you by Sears

Get it fixed, at your home or ours!

Your Home

For repair – **in your home** – of **all** major brand appliances, lawn and garden equipment, or heating and cooling systems, **no matter who made it, no matter who sold it!**

For the replacement parts, accessories and owner's manuals that you need to do-it-yourself.

For Sears professional installation of home appliances and items like garage door openers and water heaters.

1-800-4-MY-HOME® Anytime, day or night
(1-800-469-4663) (U.S.A. and Canada)
www.sears.com www.sears.ca

Our Home

For repair of carry-in products like vacuums, lawn equipment, and electronics, call or go on-line for the nearest **Sears Parts and Repair Center.**

1-800-488-1222 Anytime, day or night (U.S.A. only)
www.sears.com

To purchase a protection agreement (U.S.A.) or maintenance agreement (Canada) on a product serviced by Sears:

1-800-827-6655 (U.S.A.) **1-800-361-6665** (Canada)

Para pedir servicio de reparación a domicilio, y para ordenar piezas: Au Canada pour service en français:

1-888-SU-HOGAR® (1-888-784-6427) **1-800-LE-FOYER^{MC}** (1-800-533-6937) www.sears.ca

Sears

© Sears Brands, LLC

® Registered Trademark / TM Trademark / SM Service Mark of Sears Brands, LLC

© Marca Registrada / TM Marca de Fábrica / SM Marca de Servicio de Sears Brands, LLC
^{MC} Marque de commerce / ^{MD} Marque déposée de Sears Brands, LLC

Repair Parts Manual

CRAFTSMAN®

LAWN TRACTOR

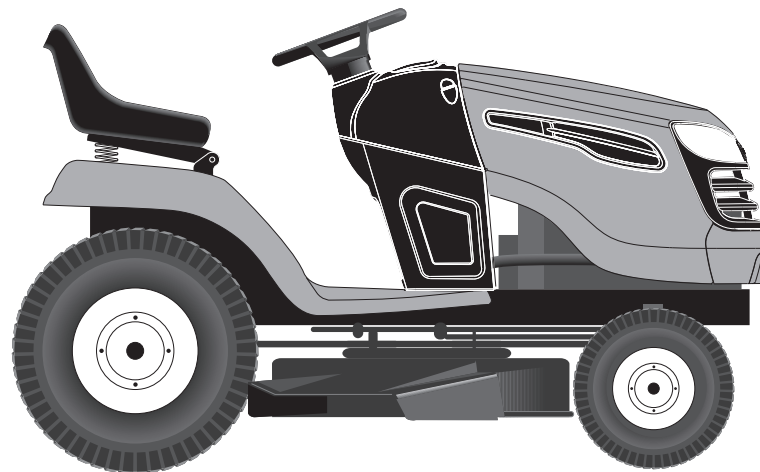
24.0 HP,* 46" Mower

Electric Start

Automatic Transmission

Model No.

917.288570



For answers to your questions about this product, Call:

1-800-659-5917

Sears Craftsman Help Line

5 am - 5 pm, Mon - Sat

SEARS, ROEBUCK AND CO., HOFFMAN ESTATES, IL 60179 U.S.A.

Visit our Craftsman website: www.sears.com/craftsman

*As rated by the engine manufacturer

⚠ WARNING: This tractor is equipped with an internal combustion engine and should not be used on or near any unimproved forest-covered, brush-covered or grass-covered land unless the engine's exhaust system is equipped with a spark arrester meeting applicable local or state laws (if any). If a spark arrester is used, it should be maintained in effective working order by the operator.

In the state of California the above is required by law (Section 4442 of the California Public Resources Code). Other states may have similar laws. Federal laws apply on federal lands. A spark arrester for the muffler is available through your nearest Sears service center (See ENGINE ASSEMBLY section of this manual).

REPAIR PROTECTION AGREEMENTS

Congratulations on making a smart purchase. Your new Craftsman® product is designed and manufactured for years of dependable operation. But like all products, it may require repair from time to time. That's when having a Repair Protection Agreement can save you money and aggravation.

Purchase a Repair Protection Agreement now and protect yourself from unexpected hassle and expense.

Here's what's included in the Agreement:

- **Expert service** by our 12,000 professional repair specialists.
- **Unlimited service and no charge** for parts and labor on all covered repairs.
- **Product replacement** if your covered product can't be fixed.
- **Discount of 10%** from regular price of service and service-related parts not covered by the agreement; also, 10% off regular price of preventive maintenance check.
- **Fast help by phone** – phone support from a Sears representative on products requiring in-home repair, plus convenient repair scheduling.

Once you purchase the Agreement, a simple phone call is all that it takes for you to schedule service. You can call anytime day or night, or schedule a service appointment online.

Sears has over 12,000 professional repair specialists, who have access to over 4.5 million quality parts and accessories. That's the kind of professionalism you can count on to help prolong the life of your new purchase for years to come. Purchase your Repair Protection Agreement today!

Some limitations and exclusions apply.

For prices and additional information call 1-800-827-6655.

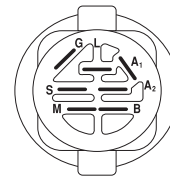
SEARS INSTALLATION SERVICE

For Sears professional installation of home appliances, garage door openers, water heaters, and other major home items, in the U.S.A. call 1-800-4-MY-HOME®

SERVICE NOTES

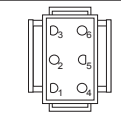
SCH11

NOTE
 YOUR TRACTOR IS EQUIPPED WITH A SPECIAL ALTERNATOR SYSTEM. THE LIGHTS ARE NOT CONNECTED TO THE BATTERY, BUT HAVE THEIR OWN ELECTRICAL SOURCE. BECAUSE OF THIS, THE BRIGHTNESS OF THE LIGHTS WILL CHANGE WITH ENGINE SPEED. AT IDLE THE LIGHTS WILL DIM, AS THE ENGINE IS SPEEDED UP, THE LIGHTS WILL BECOME THEIR BRIGHTEST.

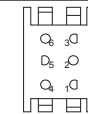


IGNITION SWITCH

POSITION	CIRCUIT	"MAKE"
OFF	M+G+A1	
RUN/OVERRIDE	B+A1	
RUN	B+A1	L+A2
START	B + S + A1	

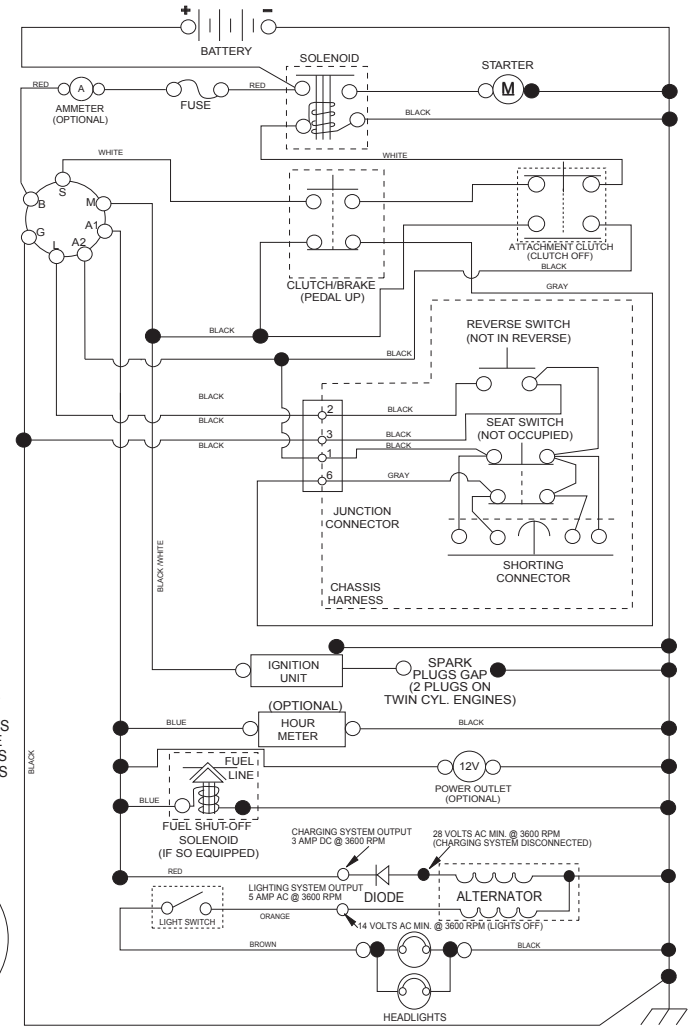
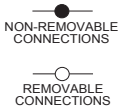


CHASSIS HARNESS CONNECTOR (MATING SIDE)



DASH HARNESS CONNECTOR (MATING SIDE)

WIRING INSULATED CLIPS
 NOTE: IF WIRING INSULATED CLIPS WERE REMOVED FOR SERVICING OF UNIT, THEY SHOULD BE RE-INSTALLED TO PROPERLY SECURE YOUR WIRING.



TRACTOR - - MODEL NUMBER 917.288570

BRIGGS & STRATTON ENGINE-MODEL NUMBER 445677, TYPE NUMBER 2188-G1

KEY NO.	PART NO.	DESCRIPTION	KEY NO.	PART NO.	DESCRIPTION
1	793564	Cylinder Assembly	131	499805	Kit-Throttle Shaft
2	797673	Bushing/Seal Kit (Magneto Side)	133	699724	Float-Carburetor
3	391086s	Seal-Oil (Magneto Side)	135	699729	Tube-Fuel Transfer
4	796307	Sump-Engine	137	690994	Gasket-Float Bowl
5	796231	Head-Cylinder (Cylinder #1)	141	796228	Kit-Choke Shaft
5A	796232	Head-Cylinder (Cylinder #2)	142	699726	Nozzle-Carburetor
7	693997	Gasket-Cylinder Head	146	690979	Key-Timing
8	792185	Breather Assembly	150	690995	Gasket-Nozzle
9	690937	Gasket-Breather	163	691001	Gasket-Air Cleaner
10	697551	Screw (Breather Assembly)	186	796532	Hose-Connector (Oil Drain Hose)
11	792184	Tube-Breather			
12	697227	Gasket-Crankcase	186A	799158	Hose-Connector (EVAP System)
13	793988	Screw (Cylinder Head)	186B	845141	Hose-Connector
15	690946	Plug-Oil Drain	187	791766	Line-Fuel (Cut to Required Length)
16	796237	Crankshaft			
20	795387	Seal-Oil (PTO Side)	188	697551	Screw (Control Bracket)
22	694966	Screw (Crankcase Cover/Sump)	192	690083	Adjuster-Rocker Arm
23	691054	Flywheel	197	697820	Screw (Back Plate)
24	222698s	Key-Flywheel	209	798921	Spring-Governor (Orange)
25	792023	Piston Assembly (Standard)	211	691019	Spring-Governed Idle (No Color)
	792072	Piston Assembly (.020" Oversize)	212	695238	Link-Throttle
26	793561	Ring Set (Standard)	216	796229	Link-Choke
	792073	Ring Set (.020" Oversize)	217	695409	Spring-Choke Return
27	690975	Lock-Piston Pin	219	793338	Gear-Governor
28	696581	Pin-Piston	220	690412	Washer (Governor Gear)
29	796209	Rod-Connecting	221	841026	Cup-Governor
32	690976	Screw (Connecting Rod)	222	798915	Bracket-Control
33	697576	Valve-Exhaust	227	798856	Lever-Governor Control
34	792200	Valve-Intake	231	690718	Screw (Choke Valve)
35	694865	Spring-Valve (Intake)	240	695666	Filter-Fuel
36	694865	Spring-Valve (Exhaust)	250	690957	Retainer-Breather
42	499586	Keeper-Valve	252	794389	Collector-Oil
45	690977	Tappet-Valve	265	691024	Clamp-Casing
46	792555	Camshaft	267	792629	Screw (Casing Clamp)
48	698172	Short Block	276	695410	Washer-Sealing
50	695241	Manifold-Intake	278	792651	Washer (Governor Control Lever)
51	795123	Gasket-Intake			
51A	690950	Gasket-Intake	287	697551	Screw (Dipstick Tube)
53	690951	Stud (Carburetor)	304	797407	Housing-Blower
54	699816	Screw (Intake Manifold)	305	691005	Screw (Blower Housing)
73	494439	Screen-Rotating	305A	698336	Screw (Blower Housing)
74	698425	Screw (Rotating Screen)	305B	790690	Screw (Blower Housing) (Blower Housing to Intake Elbow)
75	691056	Washer (Flywheel)			
95	690718	Screw (Throttle Valve)	306	798855	Shield-Cylinder (Cylinder #2)
98	699721	Kit-Idle Speed	306A	796852	Shield-Cylinder (Cylinder #1)
104	694918	Pin-Float Hinge	307	691003	Screw (Cylinder Shield) (10-24x.43)
105	797410	Valve-Float Needle			
108	699723	Valve-Choke	307A	697551	Screw (Cylinder Shield) (1/4-20x.66)
117	792296	Jet-Main (Standard) (Left Jet)			
117A	842627	Jet-Main (Standard) (Right Jet)	309	497595	Motor-Starter
118	699457	Jet-Main (High Altitude) (Left Jet)	310	690323	Screw (Starter Motor)
			332	691059	Nut (Flywheel)
118A	699733	Jet-Main (High Altitude) (Right Jet)	333	691060	Armature-Magneto
			334	691061	Screw (Magneto Armature)
121	797890	Kit-Carburetor Overhaul	337	491055s	Plug-Spark
125	796227	Carburetor	358	694012	Gasket Set-Engine
130	690993	Valve-Throttle	385	797409	Screw (Fuel Pump)

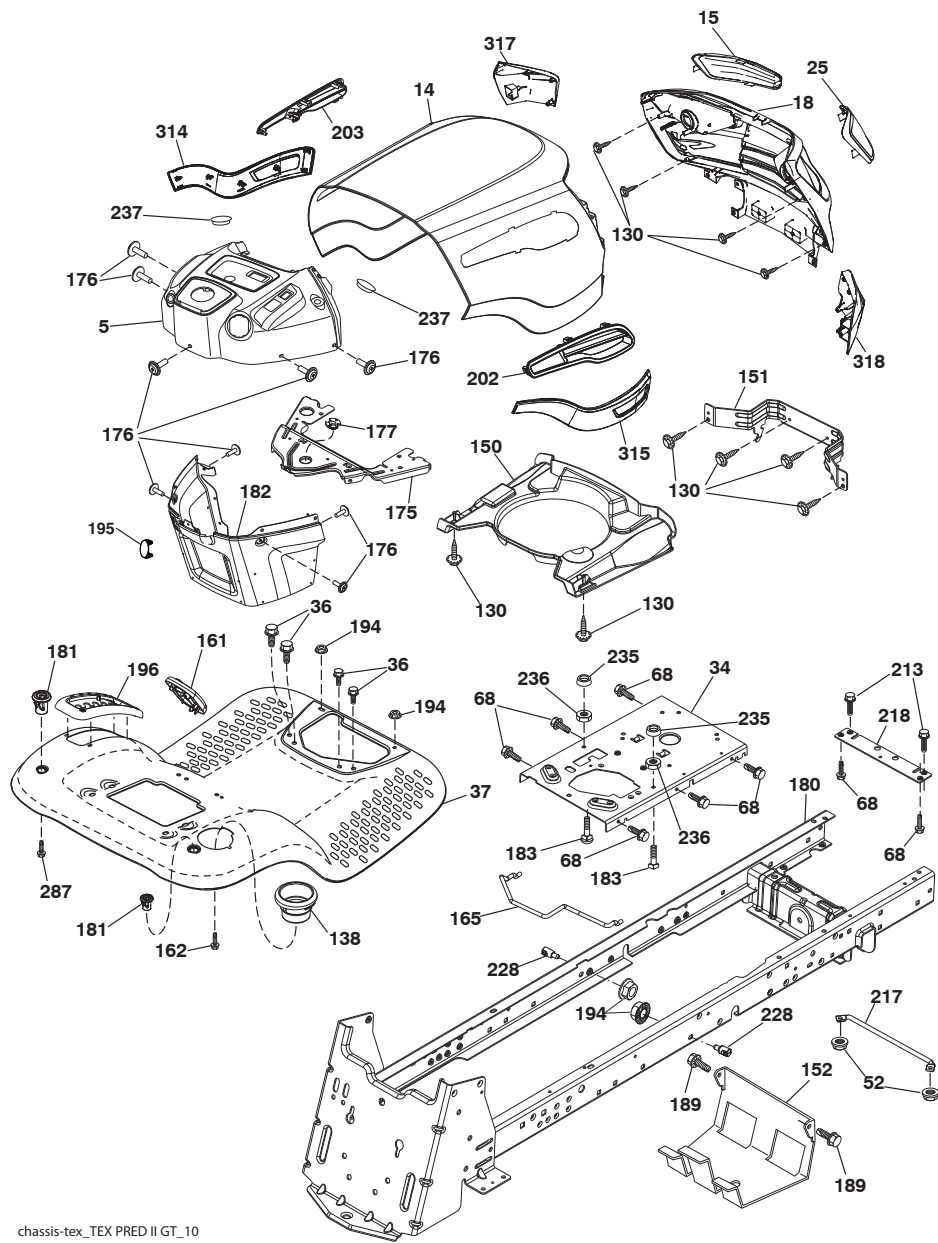
ELECTRICAL

TRACTOR - - MODEL NUMBER 917.288570

KEY NO.	PART NO.	DESCRIPTION
1	163465	Battery
2	74760412	Bolt Hex Hd 1/4-20 unc x 3/4
8	186491	Box Battery
16	176138	Switch Interlock Push-In
21	400252	Harness Socket Light w/4152J
22	4152J	Bulb Light
24	400253	Cable Btry.
25	412895	Cable Starter
26	175158	Fuse
27	73510400	Nut Keps Hex 1/4-20 unc
28	145491	Cable, Ground
29	401545	Switch, Seat
30	193350	Switch, Ign
33	411932	Key/Chain
34	110712X	Switch Light / Reset
40	401098	Harness Ign. Dash
41	17720408	Screw Thd Cut 1/4-20 x 1/2
42	131563	Cover, Terminal
43	192507	Solenoid
46	401763	Gauge SRVCMNDR HRMTR
55	17060512	Screw Thdrol 5/16-18 x 3/4 TYTT
71	194276	Harness Ign. Chassis
79	175242	Bulbholder Asm. Incan Descent
87	197802	Switch Interlock Clutch Cable
90	435395	Cover Terminal Battery
91	190270	Strap Btry.
99	17670412	Screw Hexwsh Thdrol 1/4-20 x 3/4
100	19091416	Washer 9/32 x 7/8 16 Ga.
102	404454	Harnais Pigtail
105	407568	Switch Reverse

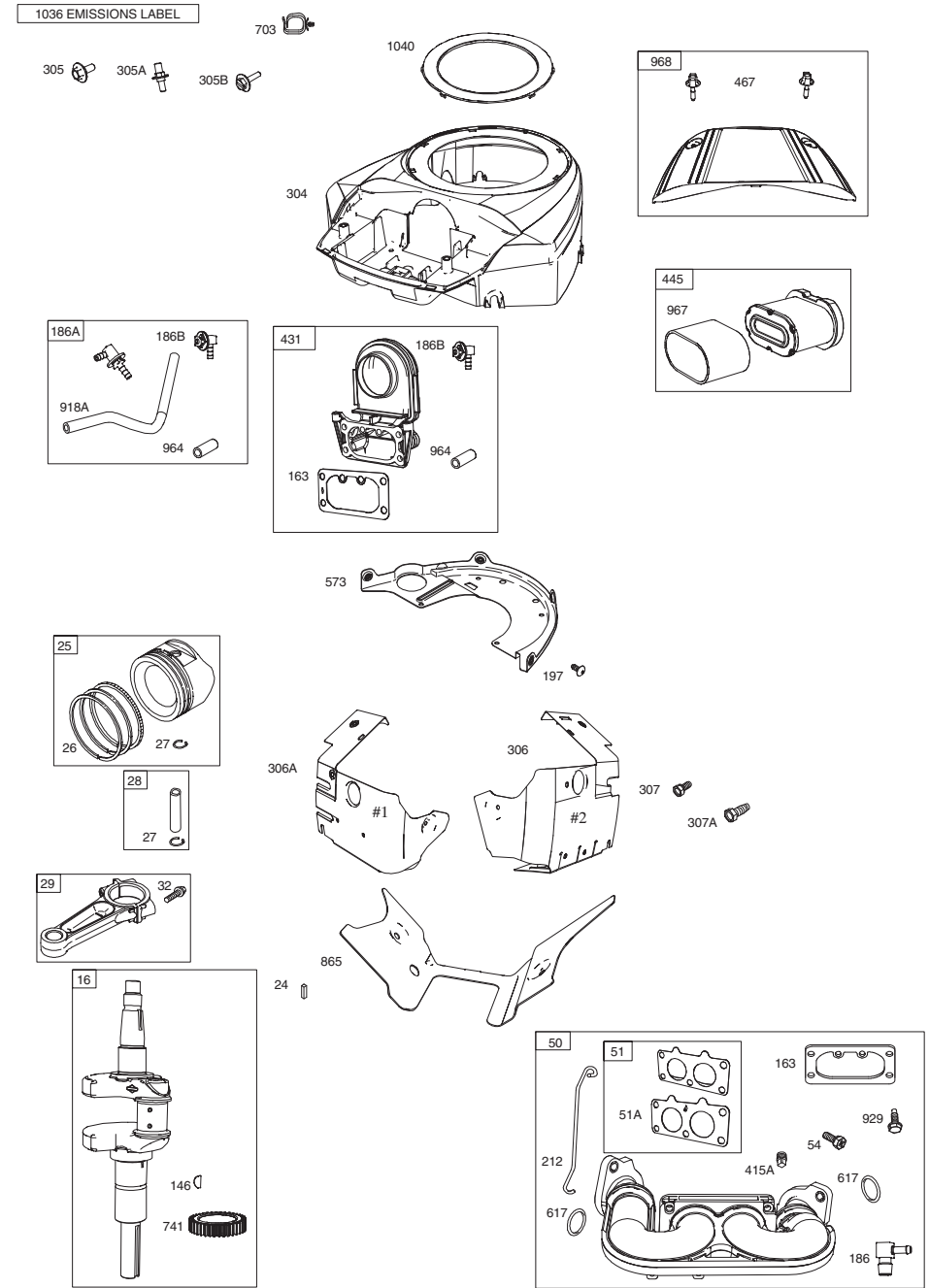
NOTE: All component dimensions given in U.S. inches
1 inch = 25.4 mm

TRACTOR -- MODEL NUMBER 917.288570
CHASSIS ASSEMBLY



chassis-tex_TEX PRED II GT_10

TRACTOR -- MODEL NUMBER 917.288570
BRIGGS & STRATTON ENGINE-MODEL NUMBER 445677, TYPE NUMBER 2188-G1

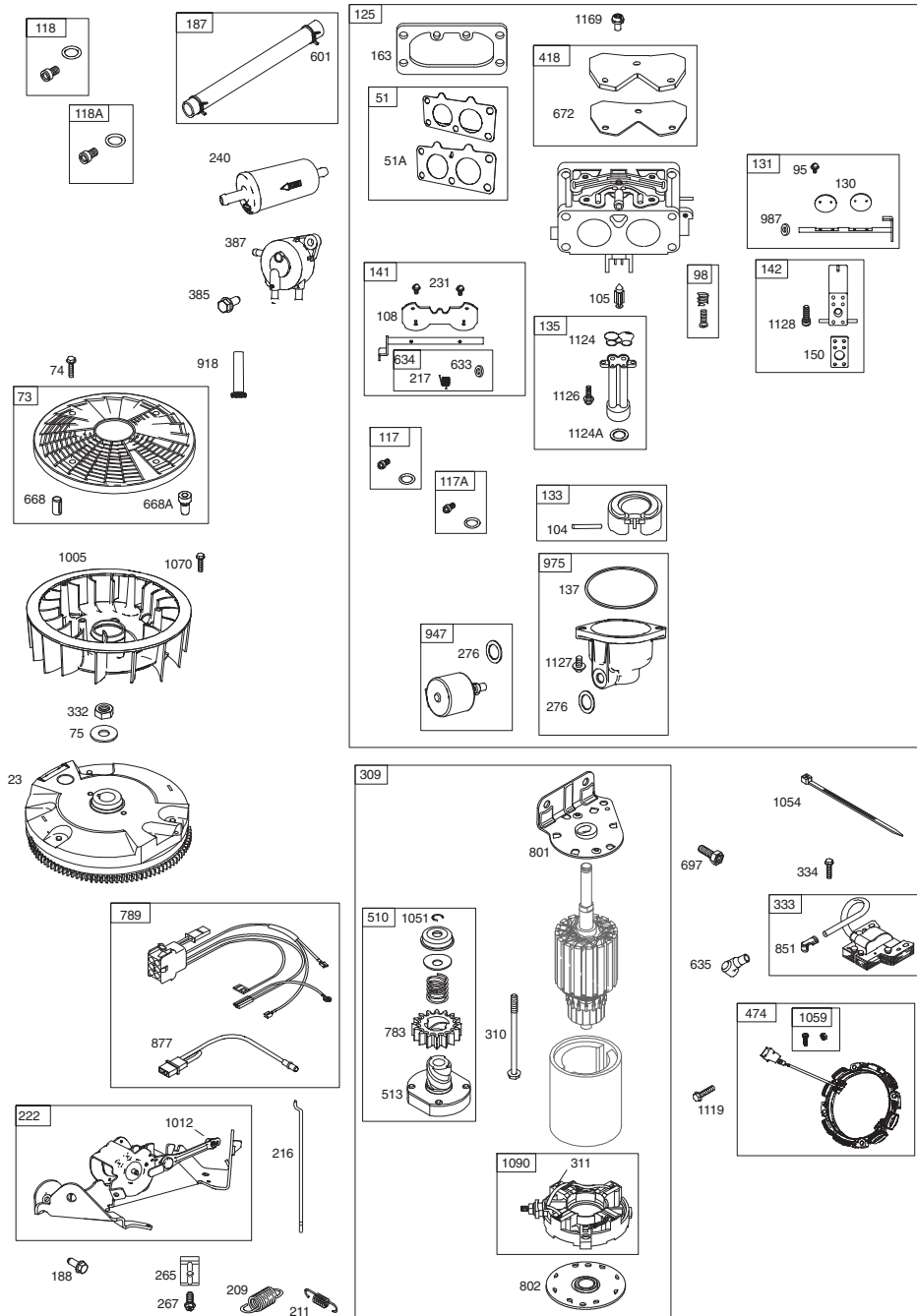


TRACTOR - - MODEL NUMBER 917.288570

BRIGGS & STRATTON ENGINE-MODEL NUMBER 445677, TYPE NUMBER 2188-G1

TRACTOR - - MODEL NUMBER 917.288570

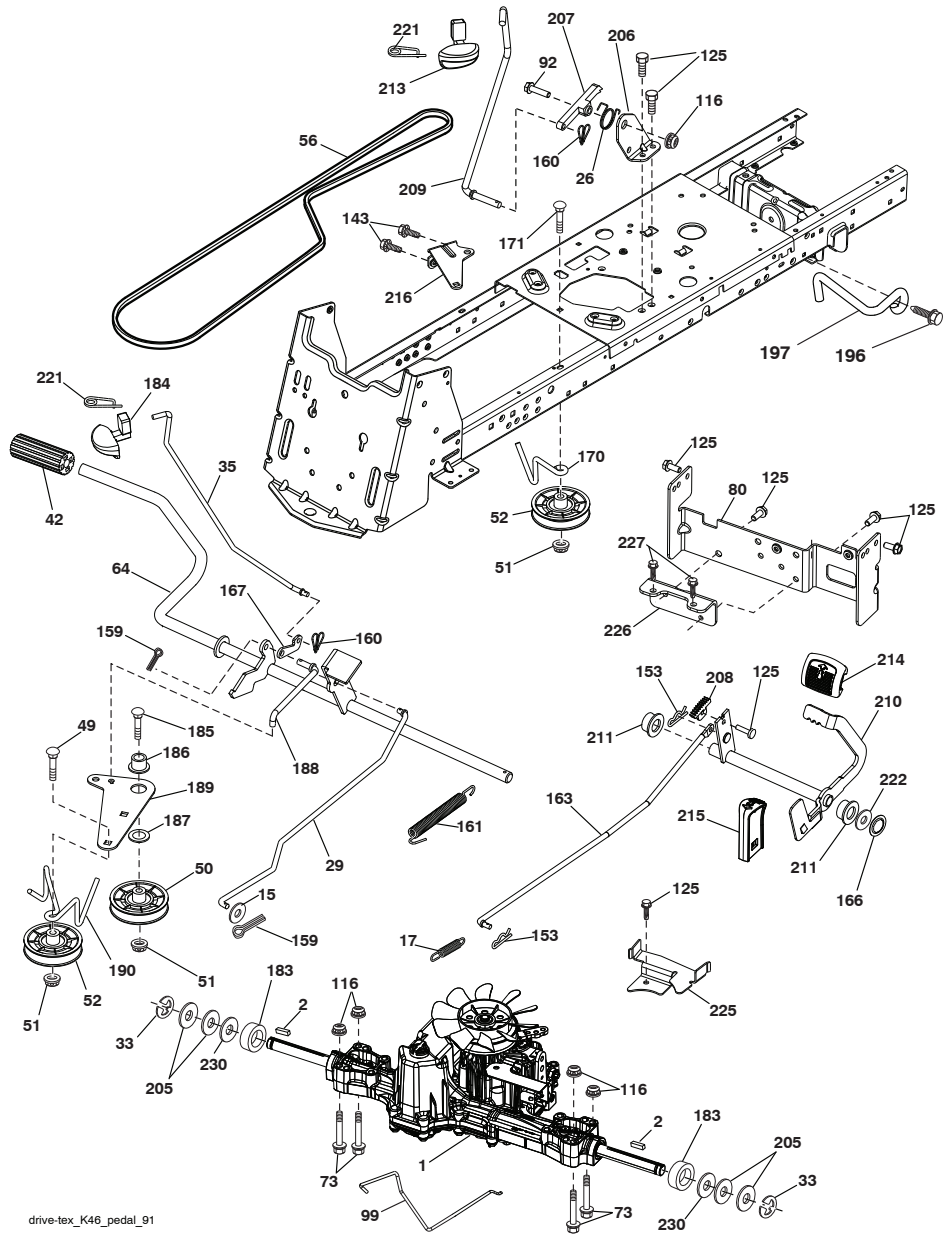
CHASSIS ASSEMBLY



KEY PART NO.	NO.	DESCRIPTION
5	421810X428	Dash
14	421154X615	Hood
15	421493X599	Lens LH
18	441721X428	Grille Asm
25	421494X599	Lens RH
34	196125	Plate Engine
36	17060512	Screw 5/16-18 x 3/4
37	414878X615	Fender
52	73680500	Nut Crown Lock 5/16-18
68	17490508	Screw Thdrol 5/16-18 x 1/2
130	416358	Screw # 10 x .750 BOS Thread
138	193224X428	Cupholder
150	199411	Duct Heat Hood
151	196332	Bracket Pivot
152	199535	Shield Browning/Debris
161	193229X428	Window Fuel
162	142432	Screw Hex Wsh Hi-Lo 1/4 x 1/2
165	196826	Support Tank Rear
175	196304	Crossmember
176	400776	Screw 10-24 x 5/8 Wshd Qdrx
177	195227	Bushing Steering
180	195457	Chassis
181	193102X428	Bushing Mtg. Fender Crgo.
182	406859	Dash Lower
183	74780520	Bolt Fin Hex 5/16-18 x 1-1/4
189	17000512	Screw 5/16 - 18 x 3/4
194	73900500	Nut Lock Hex Flange 5/16-18
195	401556X428	Plug Hole Dash 12V Adapter
196	414579	Console Asm. Deck Lift
202	441724X428	Vent Side Hood RH
203	441725X428	Vent Side Hood LH
213	74760512	Bolt hex HD 5/16-18 unc x 3/4
217	409167	Rod Pivot Chassis
218	196395	X piece hood stop
228	195161	Stud Fastener
235	406129	Spacer Fender
236	73930500	Nut Center Lock 5/16-18
237	403704	Plug Mount Cargo
287	17600406	Screw Hex Washed 1/4-20 x 3/8
314	441669	Trim SD LH
315	441668	Trim SD RH
317	421257X615	Bumper RH
318	421258X615	Bumper LH

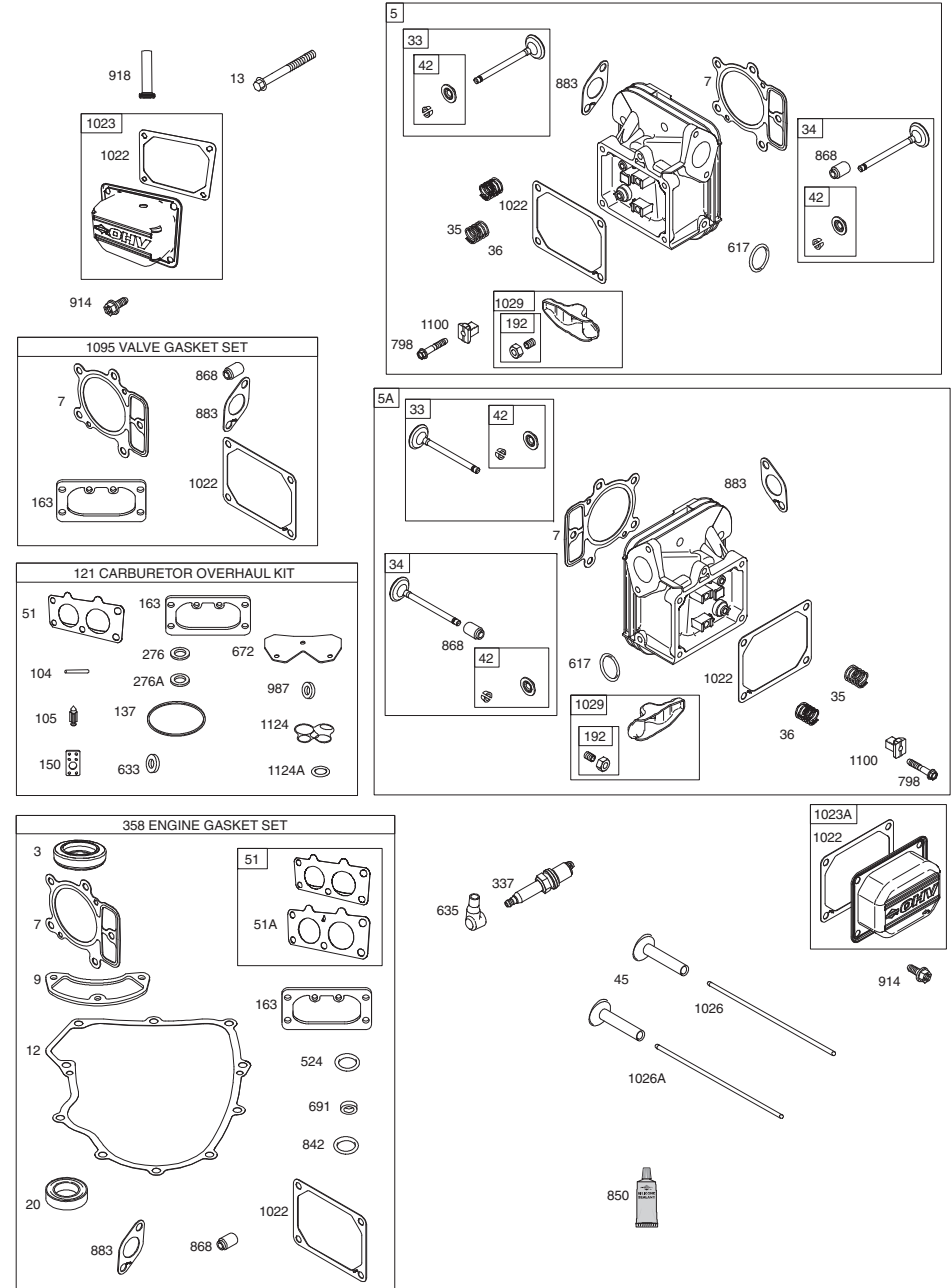
NOTE: All component dimensions given in U.S. inches
1 inch = 25.4 mm

TRACTOR -- MODEL NUMBER 917.288570
GROUND DRIVE



drive-tex_K46_pedal_91

TRACTOR -- MODEL NUMBER 917.288570
BRIGGS & STRATTON ENGINE-MODEL NUMBER 445677, TYPE NUMBER 2188-G1



TRACTOR - - MODEL NUMBER 917.288570

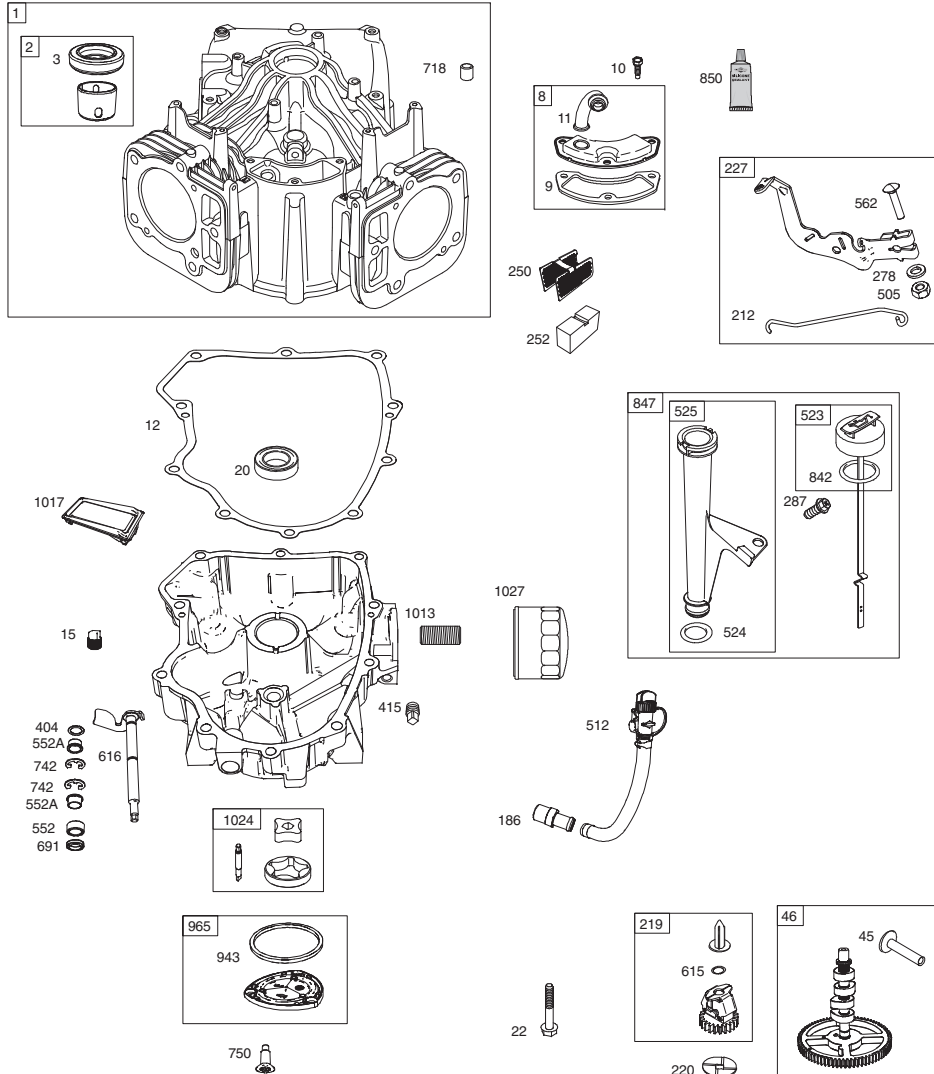
BRIGGS & STRATTON ENGINE-MODEL NUMBER 445677, TYPE NUMBER 2188-G1

48 SHORT BLOCK

1058 OPERATOR'S MANUAL

1329 REPLACEMENT ENGINE

1330 REPAIR MANUAL



TRACTOR - - MODEL NUMBER 917.288570

GROUND DRIVE

KEY PART NO. NO.

KEY PART NO.	NO.	DESCRIPTION
1	426120	Transaxle, TUFFTORQ K46 BT
2	123583X	Key
15	19131316	Washer 13/32 x 13/16 x 16 Ga.
17	413678	Spring, Brake
26	199679	Spring Return Cruise
29	403806	Rod, Brake
33	12000001	Ring E
35	435486	Rod, Brake, Park
42	8883R	Cover, Foot Pedal
49	72110614	Bolt
50	194327	Pulley Idler Flat
51	73900600	Lock Nut 3/8-16
52	194326	Idler V-Groove 910" Offset
56	130969	V-Belt, Drive
64	197865	Shaft Asm. Pedal Brake Control
73	74490540	Bolt 5/16-18 x 4.5 Gr. 5
80	440619	Strap Torque
92	74760520	Bolt Fin Hex 5/16-18 unc x 1.25
99	415742	Rod Spring Bypass
116	73900500	Nut Lock Hex Flange 5/16-18
125	17000512	Screw 5/16-18 x 3/4
143	17490508	Screw 5/16-18 x 1/2
153	4497H	Retainer Spring
159	76020412	Pin Cotter 1/8 x 3/4
160	169484	Retainer Clip
161	105709X	Spring, Return, Clutch
163	401034	Rod Pedal Control
166	429164	Nut Push .625
167	405257	Latch Brake Parking
170	194322	Keeper Belt Centerspan

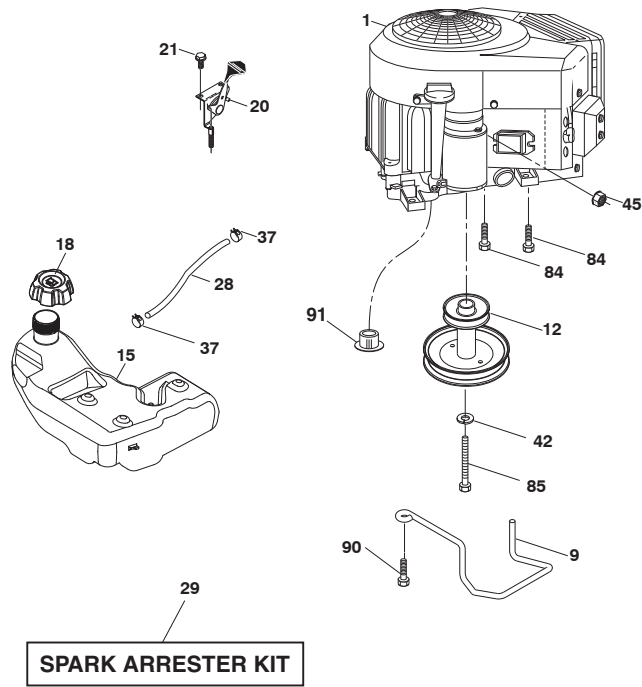
KEY PART NO. NO.

KEY PART NO.	NO.	DESCRIPTION
171	72110616	Bolt 3/8-16 unc x 2
183	137057	Spacer Split
184	196439X667	Handle Parking Brake
185	72110622	Bolt Rdhd Sqkn 3/8-16 x 2-1/2
186	194321	Spacer Retainer
187	19133210	Washer
188	194323	Link Clutch Ground Drive
189	194317	Bellcrank Ground Drive
190	194318	Keeper Bellcrank Ground Drive
205	121748X	Washer
206	197867	Bracket Mount Latch Cruise
207	197868	Latch Control Cruise
208	197869	Gear Sector Control Cruise
209	199592	Rod Control Cruise
210	400980	Rocker Asm. Pedal Control
211	120183X	Bearing Nylon
213	196441X428	Knob Control Cruise
214	421263	Pedal Forward
215	197301X428	Pedal Reverse
216	196131	Bracket Pulley Idler
221	403187	Retainer Spring Clip Handle
222	79212010	Washer 21/32 x 1-1/4 x 10 Ga.
225	403319	Keeper Belt Trans.
226	401564	Bracket Mount Torque
230	188967	Washer

NOTE: All component dimensions given in U.S. inches
1 inch = 25.4 mm

TRACTOR - - MODEL NUMBER 917.288570

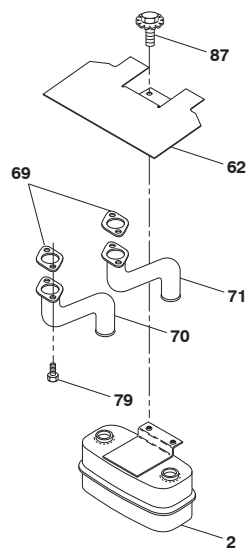
ENGINE



engine-tex_bs-2cyl_32_r1

TRACTOR - - MODEL NUMBER 917.288570

TUFF TORQ TRANSAXLE - MODEL NUMBER K46BT



KEY NO.	PART NO.	DESCRIPTION
7	414395	Vent Valve 15
8	414396	Magnet
9	414397	Magnet Holder
10	415923	Pump Shaft/bearing Kit
13	414398	Bypass Lever
15	414399	Sealing Cap 30
16	414400	Snap Ring C 35
19	414401	O-ring 1a P10a
20	414402	Seal Tc 153507
33	414403	Pump Shaft (Standard)
34	414404	E-ring 15
35	414405	Bearing 6202c3
53	414431	Control Lever F
55	415924	Washer 12
58	415925	Roll Pin 6 * 40
59	415926	O-ring 1a P14
60	415927	Nut 12
72	414407	Seal 19 * 32 * 8
76	414408	Brake Lever
78	414409	Brake Return Spring
80	414410	Spring Pin 5 * 32
81	414411	O-ring 1a P12
82	414412	Spring Pin 4 * 16
83	414413	Spine Collar
84	414414	Pulley L
85	414415	Fan, Black
86	414416	Wave Washer
87	414417	Snap Ring
90	414418	Spring Pin 3.0a * 20
91	414419	Oil Seal 16 * 22 * .03
95	414850	Spring Pin 3.0a*16
96	414420	Roll Pin 3.5 * 40
115	415928	Switch 6440-11 Delta
116	415929	Switch Bracket
117	415930	Tapping Screw 8 * 20

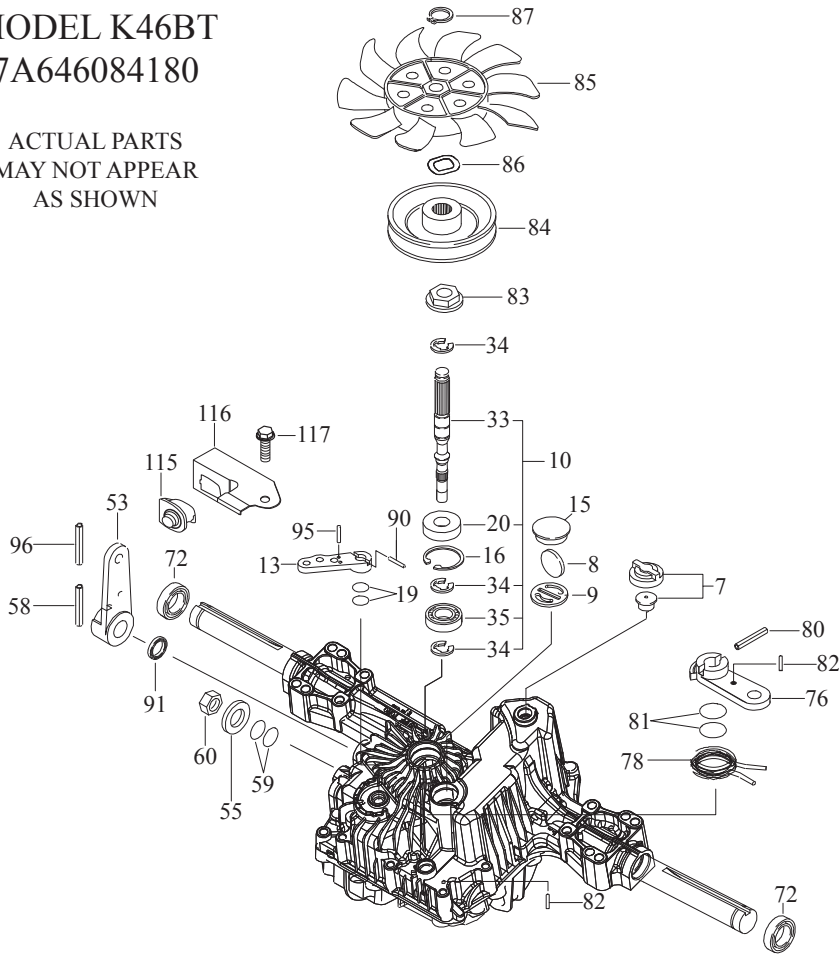
NOTE: All component dimensions given in U.S. inches
1 inch = 25.4 mm

TRACTOR - - MODEL NUMBER 917.288570

TUFF TORQ TRANSAXLE - MODEL NUMBER K46BT

MODEL K46BT
7A646084180

ACTUAL PARTS
MAY NOT APPEAR
AS SHOWN



TRACTOR - - MODEL NUMBER 917.288570

ENGINE

KEY NO.	PART NO.	DESCRIPTION
1	438233	Engine B&S Model No. 445677-2188-G1 (See Engine Breakdown)
2	149723	Muffler
9	194320	Keeper Belt Engine
12	405472	Pulley Engine
15	438080	Tank Fuel
18	430214	Cap Fuel
20	421473X428	Control Throttle
21	416358	Screw 10 x .750 BOS Thread
28	401137	Fuel Line
29	137180	Spark Arrester Kit
37	123487X	Clamp Hose
42	10040700	Washer Lock 7/16
45	73510400	Nut Keps Hex 1/4-20 unc
62	434017	Shield Heat Muffler
69	165391	Gasket
70	159955	Exhaust Tube LH
71	160589	Exhaust Tube RH
79	183906	Screw 5/16-18 x .75
84	17060620	Screw 3/8-16 x 1-1/4
85	173937	Bolt Hex 7/16-20 x 4 x Gr. 5-1.5
87	171877	Bolt 5/16-18 unc x 3/4 w/Sems
90	17000616	Screw 3/8-16 x 1.0
91	187495	Bushing

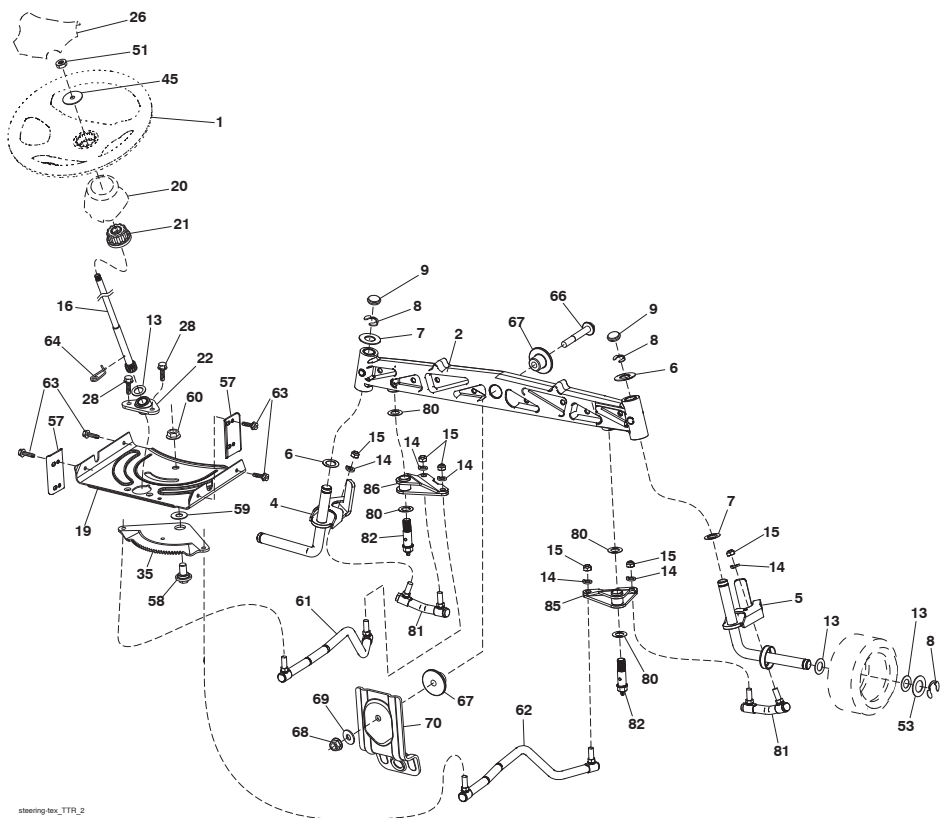
NOTE: All component dimensions given in U.S. inches
1 inch = 25.4 mm
For engine service and replacement parts, call the toll free number for your engine manufacturer listed below:

Briggs & Stratton 1-800-233-3723

Engine Power Rating Information

The gross power rating for individual gas engine models is labeled in accordance with SAE (Society of Automotive Engineers) code J1940 (Small Engine Power & Torque Rating Procedure), and rating performance has been obtained and corrected in accordance with SAE J1995 (Revision 2002-05). Torque values are derived at 3060 RPM; horsepower values are derived at 3600 RPM. Actual gross engine power will be lower and is affected by, among other things, ambient operating conditions and engine-to-engine variability. Given both the wide array of products on which engines are placed and the variety of environmental issues applicable to operating the equipment, the gas engine will not develop the rated gross power when used in a given piece of power equipment (actual "on-site" or net power). This difference is due to a variety of factors including, but not limited to, accessories (air cleaner, exhaust, charging, cooling, carburetor, fuel pump, etc.), application limitations, ambient operating conditions (temperature, humidity, altitude), and engine-to-engine variability. Due to manufacturing and capacity limitations, Briggs & Stratton may substitute an engine of higher rated power for this Series engine.

TRACTOR - - MODEL NUMBER 917.288570
STEERING ASSEMBLY

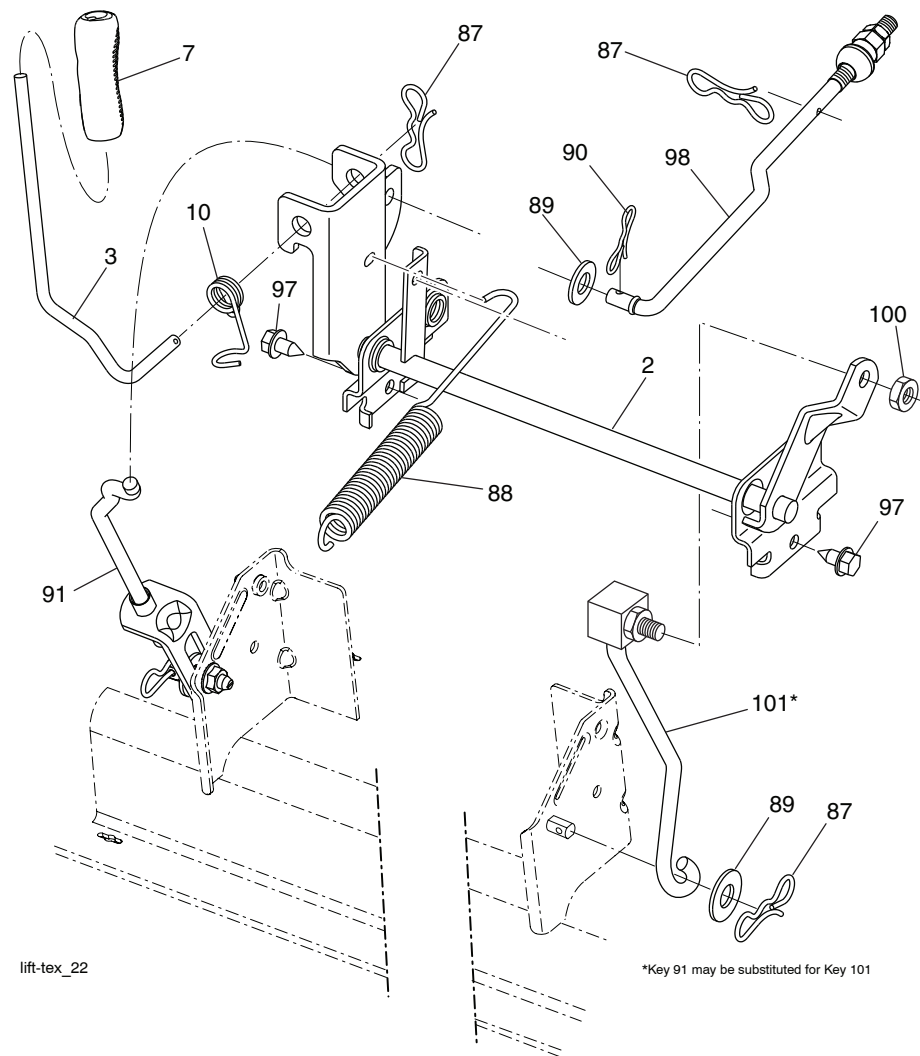


KEY PART NO.	NO.	DESCRIPTION
1	414803X428	Wheel, Steering
2	436870	Axle Asm., Front
4	456873	Spindle Asm., LH
5	456874	Spindle Asm., RH
6	6266H	Washer Thrust 0.75 x 1.23
7	121748X	Washer 25/32 x 1-5/8 x 16 Ga.
8	12000029	Ring, Clip #T5304-75
9	184946X667	Cap, Spindle
13	121749X	Washer 25/32 x 1-1/4 x 16 Ga.
14	10040600	Washer Lock 3/8
15	73540600	Nut, Crown Lock 3/8-24 unf
16	440785	Shaft Steering
19	194729	Plate Steering
20	199676X428	Boot, Steering
21	437747	Adapter, Wheel Steering
22	194845	Bushing, Strg. Blk
26	414852X428	Insert, Wheel Steering
28	17000612	Screw 3/8-16 x 3/4
35	440770	Gear, Sector Plate
45	19183812	Washer 9/16 x 2-3/8 x 12 Ga.
51	73940800	Nut Hex 1/2-20 unf
53	188967	WasherHardened.793x1.637x.060
57	407465	Bracket Upstop
58	194747	Bolt Shoulder Sector Pivot CFM

KEY PART NO.	NO.	DESCRIPTION
59	194748	Washer Thrust Sector Steering
60	73971000	Nut Flange Lock 5/8-11
61	436884	Draglink, LH
62	436885	Draglink, RH
63	17000512	Screw 5/16-18 x 3/4
64	199849	Retainer Clip Spring Steering
66	71020748	Bolt Hex Fghd 7/16-14 x 3 Serr
67	194737	Bushing PM Front Axle
68	73900700	Nut Lock Flange 7/16-14 Gr. 5
69	199162	Washer 1.5 x .505 x .118
70	196197	Bracket Deck Susp. Front
80	1370H	Washer Thrust 5/8 x 1.10 x 1/32
81	436887	Link Cross RH
82	436877	Pivot bolt
85	441873	Pivot RH
86	441872	Pivot LH

NOTE: All component dimensions given in U.S. inches
 1 inch = 25.4 mm

TRACTOR - - MODEL NUMBER 917.288570
LIFT ASSEMBLY



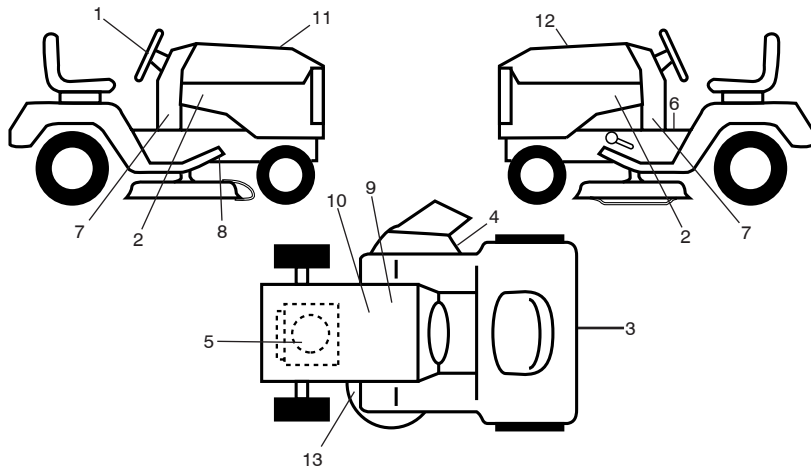
KEY PART NO.	NO.	DESCRIPTION
2	422027	Shaft Asm., Lift
3	195231	Lever Asm., Lift RH
7	196492X428	Grip, Lever
10	196314	Spring Torsion
87	194209	Pin Cotter 7/16 Bow Tie Lock
88	410710	Spring Lift Assist
89	19191912	Washer Clear Zinc
90	194208	Pin Cotter 5/16 Bow Tie Lock
91	195181	Link Lift Susp Mower Rear

KEY PART NO.	NO.	DESCRIPTION
97	17000612	Screw 3/8-16 x .75
98	195270	Link Lift Susp. Front Mower
100	73930600	Nut Centerlock 3/8-16 unc
101	407003	Link Asm Lift Fxd

NOTE: All component dimensions given in U.S. inches
 1 inch = 25.4 mm

TRACTOR - - MODEL NUMBER 917.288570

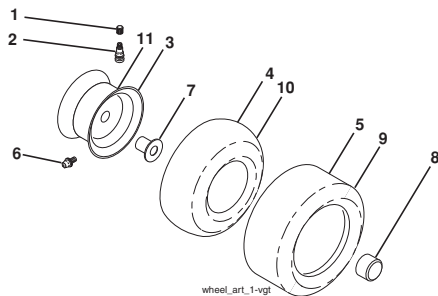
DECALS



KEY PART NO.	NO.	DESCRIPTION
1	439525	Decal, Steering
2	441123	Decal, Hood
3	441121	Decal, Fender
4	170563	Decal, Mower Warning
5	426029	Decal, Engine HP
6	434529	Decal, Fender Warning
7	438160	Decal, Lower Dash

KEY PART NO.	NO.	DESCRIPTION
8	421534	Decal, V-Belt Schematic Drive
9	434996	Decal, Battery Warning
10	434995	Decal, Battery
11	441799	Decal, Replacement
12	426076	Decal, Customer Resp.
13	160396	Decal, Mower V-Belt SCH.
--	193226X428	Pad, Footrest LH
--	400981X428	Pad, Footrest
--	166960	Decal, Bypass
--	441209	Manual, Operator's (Eng/Span)
--	441211	Manual, Parts

WHEELS & TIRES

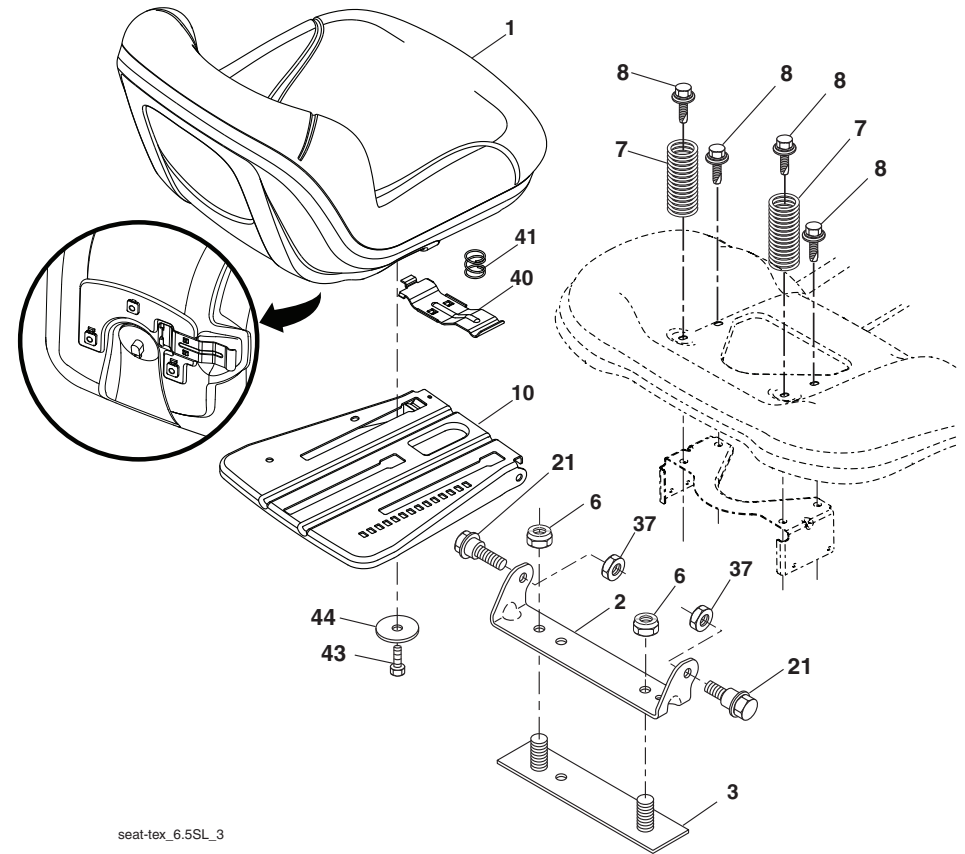


KEY PART NO.	NO.	DESCRIPTION
1	59192	Cap, Valve, Tire
2	65139	Stem, Valve
3	106732X613	Rim Assembly, Front
4	59904	Tube, Front
5	106222X	Tire, Front
6	278H	Fitting, Grease
7	9040H	Bearing, Flange
8	104757X428	Cap, Axle (Front Wheel Only)
9	138468	Tire, 18 x 9.5-8 TurfSaver LT
10	7152J	Tube, Rear
11	106108X613	Rim Assembly, Rear
--	144334	Sealant, Tire (10 oz. Tube)

NOTE: All component dimensions given in U.S. inches
1 inch = 25.4 mm

TRACTOR - - MODEL NUMBER 917.288570

SEAT ASSEMBLY

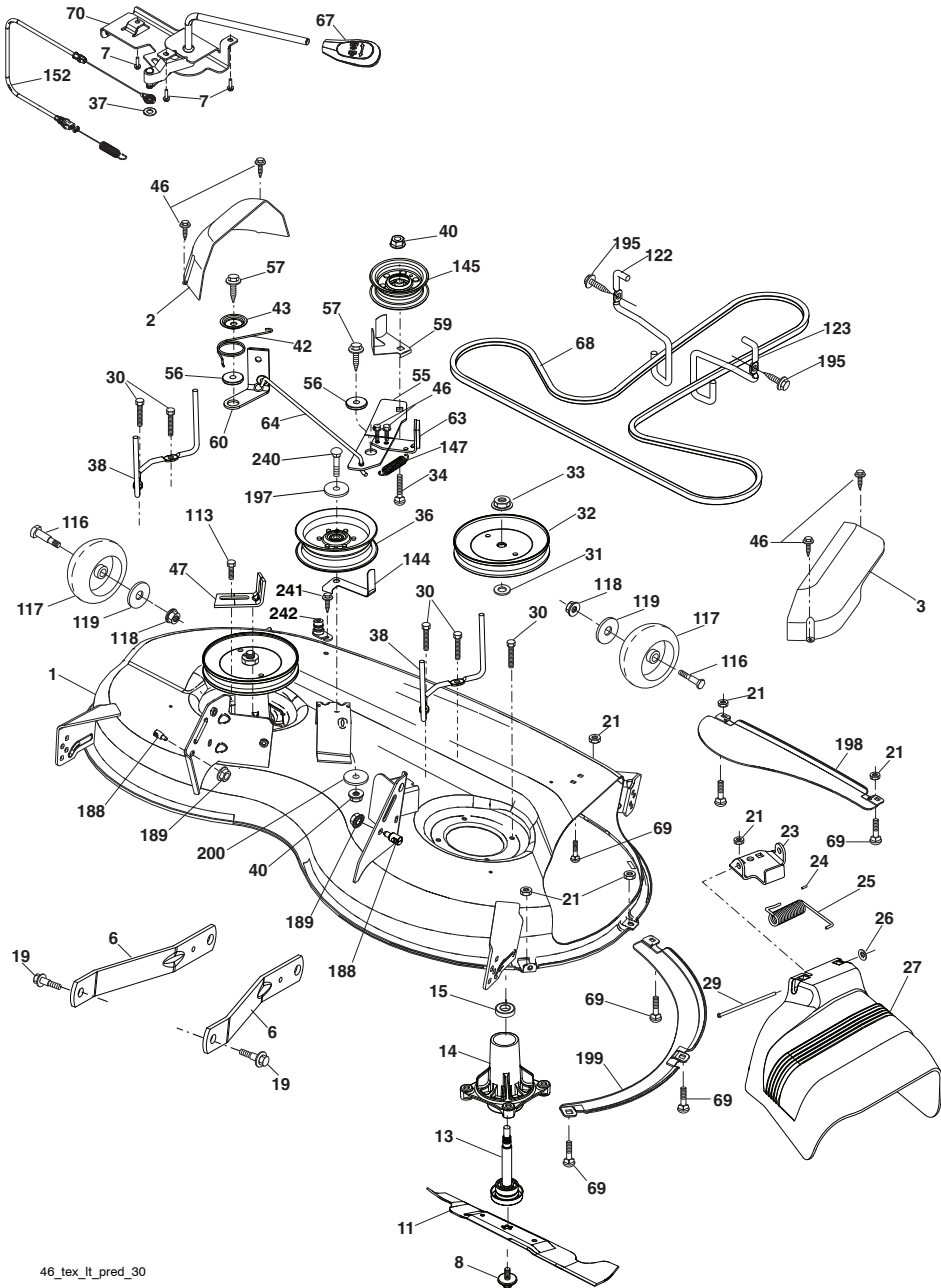


KEY PART NO.	NO.	DESCRIPTION
1	423645	Seat
2	180166	Bracket Pivot Fender
3	140675	Strap, Asm Fender
6	73800600	Nut, Lock W/Ins. 3/8-16 unc
7	124181X	Spring, Seat Cprsn
8	171877	Bolt 5/16-18 unc x 3/4 w/Sems
10	196977	Pan, Seat
21	171852	Bolt, Shoulder 5/16-18
37	73800500	Nut, Lock 5/16-18 unc

KEY PART NO.	NO.	DESCRIPTION
40	197661	Handle Slide Seat
41	198200	Spring Latch Seat
43	74760612	Bolt 3/8-16 x 3/4
44	19133812	Washer 13/32 x 2-3/8 x 12 Ga.

NOTE: All component dimensions given in U.S. inches
1 inch = 25.4 mm

MOWER DECK
TRACTOR -- MODEL NUMBER 917.288570



46_tex_it_pred_30

MOWER DECK
TRACTOR -- MODEL NUMBER 917.288570

KEY PART NO. NO.

KEY PART NO.	NO.	DESCRIPTION
1	441611X615	Mower Housing
2	405507	Cover Mandrel LH
3	405506	Cover Mandrel RH
6	195186	Arm Suspension
7	416358	Screw #10 x 0.750 BOS Thread
8	193003	Bolt/Washer Asm. 7/16-20 unf
11	405380	Blade Mower High Lift
--	403107	Blade Mulching
13	192872	Shaft Assembly, Mandrel
14	187281	Housing, Mandrel
15	110485X	Bearing, Ball, Mandrel
19	196539	Bolt, Shoulder
21	73680500	Nut
23	192557	Bracket, Deflector
24	105304X	Cap, Sleeve
25	197026	Spring, Torsion, Deflector
26	110452X	Nut, Push
27	405357	Shield, Deflector
29	131491	Rod, Hinge
30	173984	Screw Thdrol. Rolling Wsh. Hd.
31	187690	Washer, Spacer
32	197473	Pulley, Mandrel
33	400234	Nut, Toplock, Flanged
34	72110612	Bolt Carr. Sh. 3/8-16 x 1-1/2 Gr. 5
36	197379	Pulley, Idler, Flat
37	19131316	Washer 13/32 x 13/16 x 16 Ga.
38	432520	Keeper Belt LH Mandrel
40	73900600	Nut, Lock Flg. 3/8-16 unc
42	198410	Spring Torsion Brake
43	197256	Spring Torsion Retainer
46	137729	Screw
47	197250	Bracket Clutch Cable
55	197249	Arm, Idler
56	199092	Spacer, Retainer
57	17000616	Screw Hex Wsh. Thd. 3/8-16 x 1
59	141043	Guard, Tuv. Idler (94)
60	199471	Arm Brake Mower
63	199477	Arm Brake Mower

KEY PART NO. NO.

KEY PART NO.	NO.	DESCRIPTION
64	405138	Linkage Brake
67	198398X667	Handle, Clutch Cable
68	405143	V-Belt
69	72140505	Bolt
70	199972	Clutch Asm. Manual
113	17000510	Screw 5/16-18
116	4898H	Bolt, Shoulder
117	188606	Wheel, Gauge
118	73930600	Nut, Crownlock 3/8-1
119	19121414	Washer 13/32 x 7/8 x 14 Ga.
122	197258	Keeper Belt Eng. LH
123	197259	Keeper Belt Eng. RH
144	199204	Keeper Belt
145	193197	Pulley Idler
147	401872	Spring Return
152	435111	Cable Clutch Manual w/Spr.
188	195161	Stud Fastener
189	73900500	Nut Lock Hex Flange
195	17000612	Screw Hex Wsh. Thdr. 3/8-16x3/4
197	19131312	Washer 13/32 x 13/16 x 12 Ga.
198	403149	Baffle Center Front
199	403150	Baffle Front RH
200	413524	Washer 13/32 x 1 x 1/2 x 11 Ga
240	74520636	Bolt Fin. Hex 3/8-16 x 2-1/4 Gr. 5
241	152927	Screw
242	415598	Port Washout
--	416405	Coupling Quick Connect
--	192870	Mandrel Assembly (Includes housing, shaft assembly, and bearing only - pulley/nut/washer and blade bolt/washers not included)
--	432250	Replacement Mower, Complete

NOTE: All component dimensions given in U.S. inches
 1 inch = 25.4 mm