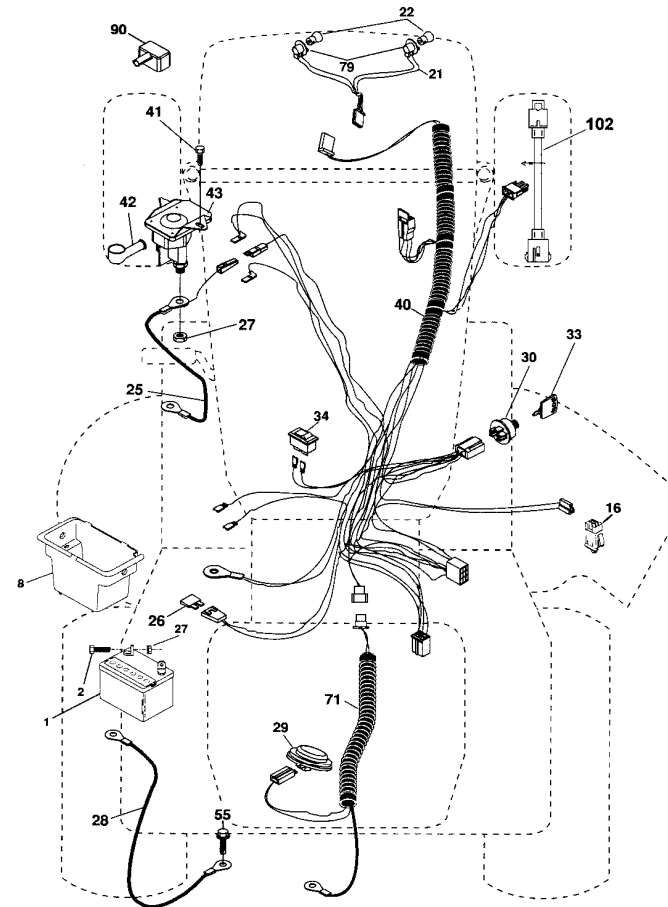


CRAFTSMAN  
TRACTOR  
Model# 917287140

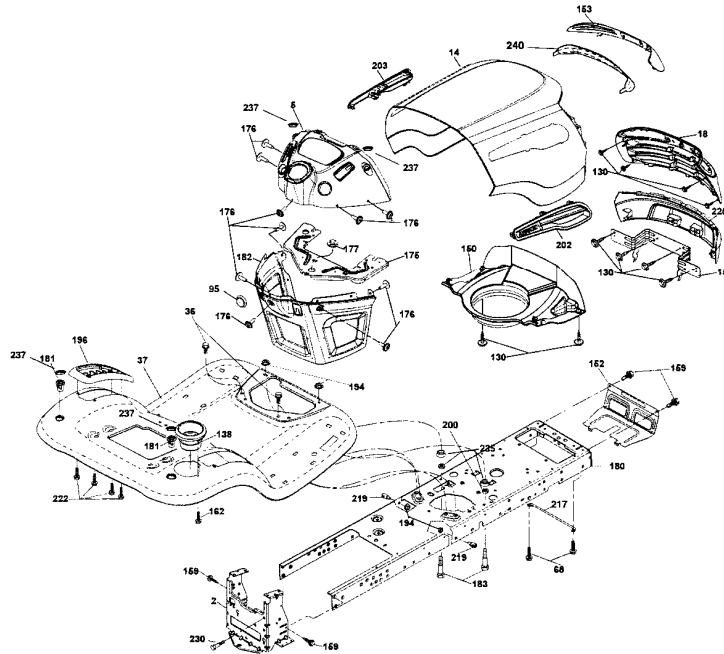
## Part results for: ELECTRICAL

#	Part #	Description
1	27195	Battery
2	74760412	Bolt hex hd 1/4-20 unc x 3/4
8	193228	Box battery
16	176138	Switch interlock push-in
21	400252	Harness socket light w/4152j
22	4152J	Bulb light
25	412894	Cable starter
26	STD391020	Fuse
27	STD541425	Nut keps hex 1/4-20 unc
28	198885	Cable, ground
29	401545	Switch, seat
30	193350	Switch, ign.
33	411932	Key/chain
33	140403	Key, ignition
34	110712X	Switch light/reset
40	401098	Harness ign. dash
41	17720408	Screw thd cut 1/4-20 x 1/2
42	131563	Cover, terminal
43	192507	Solenoid
55	17060512	Screw thdrol 5/16-18 x 3/4 tytt
71	400449	Harness ign.
79	175242	Bulbholder assembly incandescent
90	400725	Cover terminal battery
102	404454	Harness pigtail k46 tex ros
Not In Diag	410965	Manual, parts
Not In Diag	410964	Manual, operator's (eng/span)
Not In Diag	408314	Replacement mower, complete
Not In Diag	401964	Manual, operator's (eng/span)
Not In Diag	400981X428	Pad, footrest, control
Not In Diag	193226X428	Pad, footrest
Not In Diag	192870	Mandrel assembly (includes housing, shaft and shaft hardware only)
Not In Diag	166960	Decal, bypass
Not In Diag	100032R	Sealant, tire, (10 oz. tube)



## CHASSIS AND ENCLOSURES

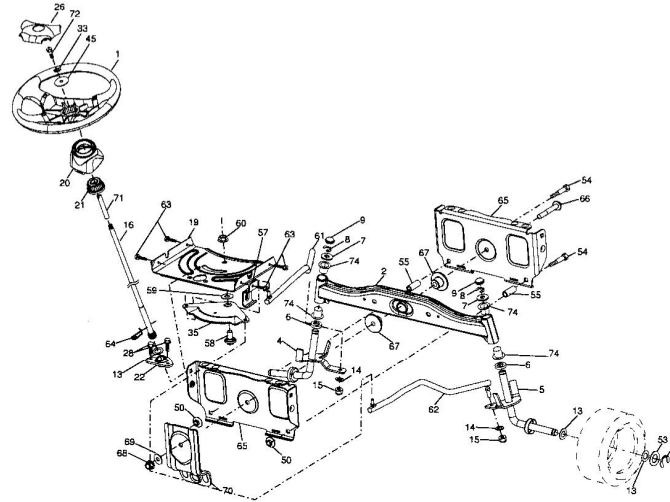
#	Part #	Description
2	194263	Drawbar
4	403704	Plug mount cargo
5	400801X428	Dash
14	198416X612	Hood
18	410861	Grille assembly
36	17060512	Screw 5/16-18 x 3/4
37	402969X612	Fender
68	17490508	Screw thdrol 5/16-18 x 1/2
99	405903	Rod bypass assembly
130	191611	Screw 10 x 3/4 single lead-hex
138	193224X428	Cupholder
150	400267	Duct heat hood
151	187568	Bracket pivot
152	194329	Shield browning/debris
153	400550X599	Lens
159	17000612	Screw hexwsh thdrol 3/8-16 x 3/4
162	142432	Screw hex wsh hi-lo 1/4 x 1/2 unc
175	199472	Crossmember
176	400776	Screw 10-24 x 5/8 wshd qdix
177	195228	Bushing steering
180	194260	Chassis
181	193102X428	Bushing mtg., fender crgo.
182	198917	Dash lower
183	STD523112	Bolt fin hex 5/16-18 x 1-1/4
191	401827	Reflective insert
194	73900500	Nut lock hex flange 5/16-18
196	196378X428	Console assembly deck lift
200	73930500	Nut lock 5/16-18 unc
202	400263X428	Vent side hood rh
203	400264X428	Vent side hood lh
217	156524	Rod pivot chassis
219	195161	Stud fastener
222	137729	Screw thd roll 1/4-20 x 5/8
225	400549X612	Bumper
228	195161	Stud fastener
230	170165	Bolt shoulder 5/16-18
235	406129	Spacer fender
236	73930500	Nut lock 5/16-18 unc
237	403704	Plug mount cargo
240	401827	Reflective insert
Not In Diag	410965	Manual, parts
Not In Diag	410964	Manual, operator's (eng/span)
Not In Diag	408314	Replacement mower, complete
Not In Diag	401964	Manual, operator's (eng/span)
Not In Diag	400981X428	Pad, footrest, control
Not In Diag	193226X428	Pad, footrest
Not In Diag	192870	Mandrel assembly (includes housing, shaft and shaft hardware only)
Not In Diag	166960	Decal, bypass
Not In Diag	100032R	Sealant, tire, (10 oz. tube)



## STEERING ASSEMBLY

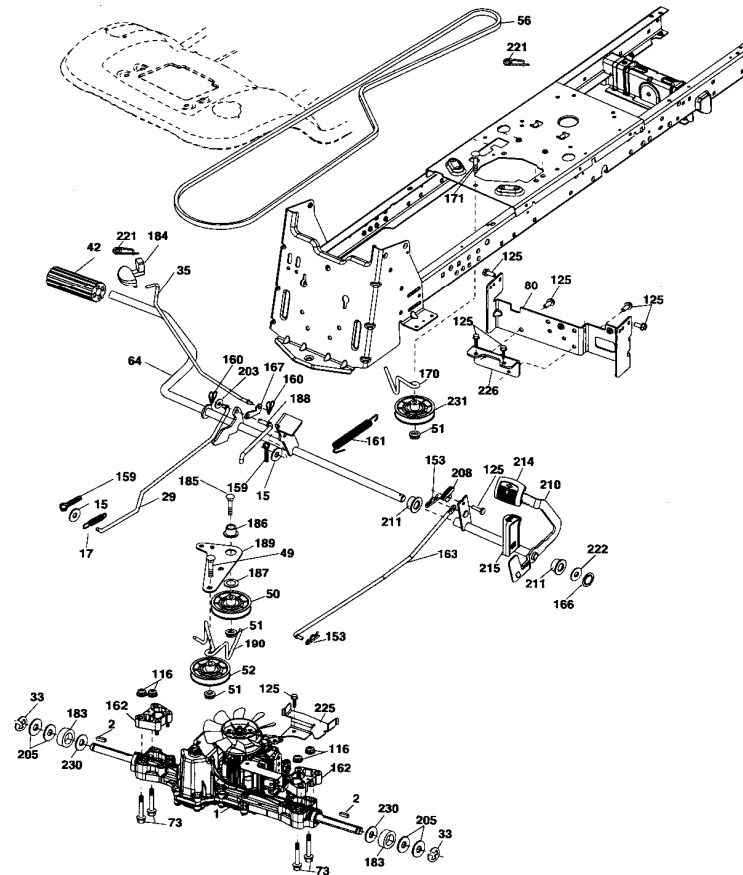
#	Part #	Description
1	186780	Wheel, steering
2	195673	Axle assembly, front
4	403087	Spindle assembly, lh
5	403088	Spindle assembly, rh

- 6 6266H Bearing, race, thrust harden
- 7 121748X Washer 25/32 x 1-5/8 x 16 ga.
- 8 12000029 Ring, klip #15304-75
- 9 121232X Cap, spindle
- 13 121749X Washer 25/32 x 1-1/4 x 16 ga.
- 14 STD551137 Washer, lock hvy hlcl spr 3/8
- 15 73540600 Nut, crown lock 3/8-24 unf
- 16 408220 Shaft steering
- 19 194729 Plate steering
- 20 400803X428 Boot, steering
- 21 186737 Adapter, wheel steering
- 22 194845 Bushing, strg. blk
- 26 186781 Insert, wheel steering
- 28 17000612 Screw 3/8-16 x 3/4
- 33 STD551131 Washer lock 5/16
- 35 194732 Gear, sector plate
- 45 19183812 Washer 9/16 x 2-3/8 x 12 ga.
- 50 409148 Nut lock 3/8-16 unc
- 53 188967 Washer hardened .793 x 1.637 x .060
- 54 STD523722 Bolt hex 3/8-16 unc x 2-1/4
- 55 197636 Spacer brace axle
- 57 407465 Bracket upstop
- 58 194747 Bolt shoulder sector pivot cfm
- 59 194748 Washer thrust sector steering
- 60 73971000 Nut flange lock 5/8-11
- 61 194740 Draglink, lh
- 62 194741 Draglink, rh
- 63 17000512 Screw 5/16-18 x 3/4
- 64 199849 Retainer clip spring steering
- 65 194734 Brace axle front
- 66 71020748 Bolt hex flghd 7/16-14 x 3 serr
- 67 194737 Bushing pm front axle
- 68 73900700 Nut lock flange 7/16-14 gr. 5
- 69 199162 Washer 1.5 x .505 x .118
- 70 196197 Bracket deck susp. front
- 71 196075 Shaft exten. strg.
- 72 74780572 Bolt fin hex 5/16-18 unc x 4.5 g5
- 74 3366R Bearing col. strg.
- Not In Diag 410965 Manual, parts
- Not In Diag 410964 Manual, operator's (eng/span)
- Not In Diag 408314 Replacement mower, complete
- Not In Diag 401964 Manual, operator's (eng/span)
- Not In Diag 400981X428 Pad, footrest, control
- Not In Diag 193226X428 Pad, footrest
- Not In Diag 192870 Mandrel assembly (includes housing, shaft and shaft hardware only)
- Not In Diag 166960 Decal, bypass
- Not In Diag 100032R Sealant, tire, (10 oz. tube)



## GROUND DRIVE

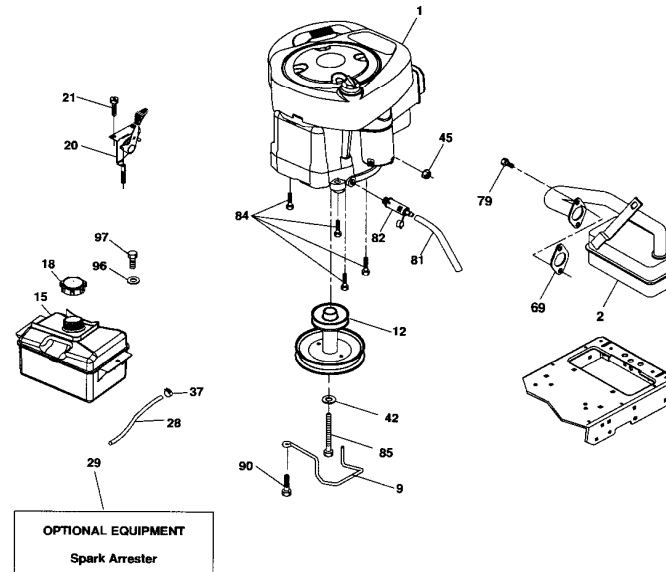
#	Part #	Description
1	405384	Transaxle, tuff torq k46bt
1	404047	Transaxle, tuff torq k46 (internal parts not available)
2	123583X	Key
15	STD551037	Washer 13/32 x 13/16 x 16 ga.
17	413678	Spring, brake
17	401072	Spring, brake
29	403806	Rod, brake
33	STD581075	Ring e
35	401031	Rod, brake, park
42	8883R	Cover, foot pedal
49	STD533717	Bolt
50	194327	Pulley idler flat
51	409148	Lock nut 3/8-16
52	194326	Idler v-groove 910" offset
56	130969	V-belt, drive
64	197865	Shaft assembly pedal brake control
73	74490544	Bolt hex flghd 5/16-18 gr. 5
80	410024	Strap torque
116	73900500	Nut lock hex flange 5/16-18
125	17000512	Screw 5/16-18 x 3/4
153	STD624003	Retainer spring
159	STD561210	Pin cotter 1/8 x 3/4
160	169484	Retainer clip
161	105709X	Spring, return, clutch
162	195785	Spacer transaxle
163	401034	Rod pedal control
166	197290	Nut, push
167	405257	Latch brake parking
170	194322	Keeper belt centerspan
171	STD533720	Bolt
183	137057	Spacer split
184	19999X505	Handle parking brake
185	72110620	Bolt
186	194321	Spacer retainer
187	19133210	Washer
188	194323	Link clutch ground drive
189	194317	Bellcrank ground drive
190	194318	Keeper bellcrank ground drive
205	121748X	Washer
208	197869	Bolt sector control cruise
210	400980	Rocker assembly pedal control
211	120183X	Bearing, nylon
214	197302X428	Pad pedal forward
215	197301X428	Pad pedal reverse
221	403187	Retainer spring clip handle
222	79212010	Washer
225	403319	Keeper belt trans.
226	401564	Bracket mount torque
230	188967	Washer hardened
231	407287	Idler v-groove 1.688 offset
Not In Diag	410965	Manual, parts
Not In Diag	410964	Manual, operator's (eng/span)



Not In Diag	408314	Replacement mower, complete
Not In Diag	401964	Manual, operator's (eng/span)
Not In Diag	400981X428	Pad, footrest, control
Not In Diag	193226X428	Pad, footrest
Not In Diag	192870	Mandrel assembly (includes housing, shaft and shaft hardware only-pulley not included)
Not In Diag	166960	Decal, bypass
Not In Diag	100032R	Sealant, tire, (10 oz. tube)

## ENGINE

#	Part #	Description
1	N/P	Engine briggs model no. 31p977-0635-e1
2	137352	Muffler
9	194320	Keeper belt engine
12	405472	Pulley engine
15	407545	Tank fuel
18	197725	Cap assembly
20	176636X428	Control throttle
21	191611	Screw 10 x 3/4 single lead-hex
28	401137	Fuel line
29	137180	Spark arrester kit
37	123487X	Clamp hose
42	STD551143	Washer lock 7/16
45	STD541425	Nut keps hex 1/4-20 unc
69	272293	Gasket
79	192334	Screw 5/16-18 x .75
81	148456	Tube drain oil easy
82	181654	Plug drain oil
84	17060620	Screw 3/8-16 x 1-1/4
85	173937	Bolt 7/16-20 x 4 x gr. 5-1.5
90	17000616	Screw 3/8-16 x 1
96	19091416	Washer 9/32 x 7/8 x 16 ga.
97	17670412	Screw 1/4-20 x 3/4
Not In Diag	410965	Manual, parts
Not In Diag	410964	Manual, operator's (eng/span)
Not In Diag	408314	Replacement mower, complete
Not In Diag	401964	Manual, operator's (eng/span)
Not In Diag	400981X428	Pad, footrest, control
Not In Diag	193226X428	Pad, footrest
Not In Diag	192870	Mandrel assembly (includes housing, shaft and shaft hardware only)
Not In Diag	166960	Decal, bypass
Not In Diag	100032R	Sealant, tire, (10 oz. tube)

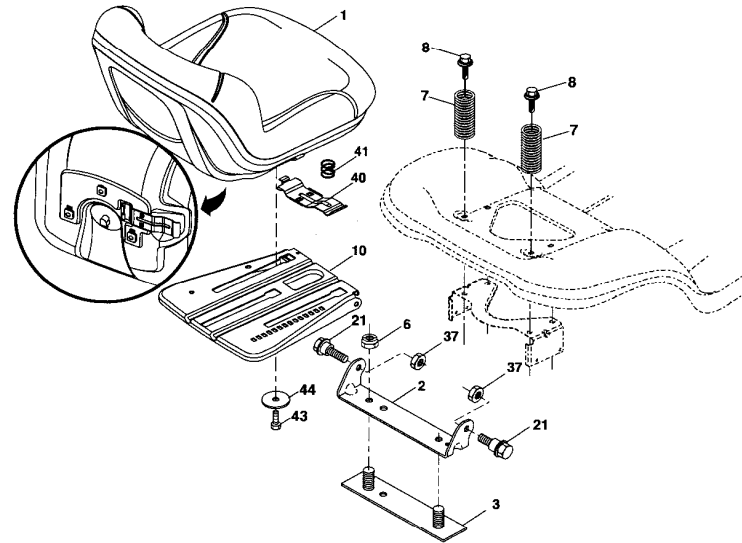


### Engine Power Rating Information

The gross power rating for individual gas engine models is labeled in accordance with SAE (Society of Automotive Engineers) code J11940 (Small Engine Power & Torque Rating Procedure), and rating performance has been obtained and corrected in accordance with SAE J1995 (Revision 2002-5). Actual gross engine power will be lower and is affected by, among other things, ambient operating conditions and engine-to-engine variability. Given both the wide array of products on which engines are placed and the variety of environmental issues applicable to operating the equipment, the gas engine will not develop the rated gross power when used in a given piece of power equipment (actual "on-site" or net horsepower). This difference is due to a variety of factors including, but not limited to, accessories (air cleaner, exhaust, charging, cooling, carburetor, fuel pump, etc.), application limitations, ambient operating conditions (temperature, humidity, altitude), and engine-to-engine variability. Due to manufacturing and capacity limitations, Briggs & Stratton may substitute an engine of higher rated power for this Series engine.

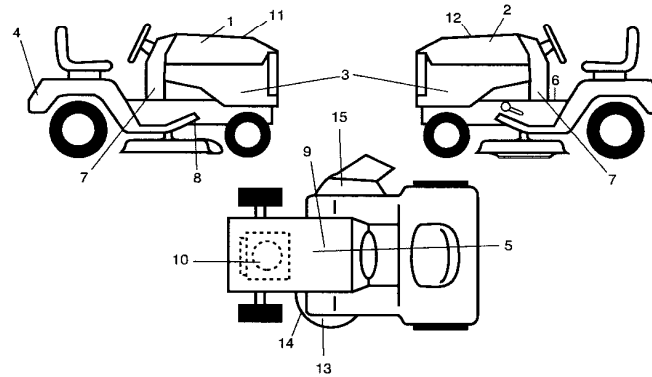
## SEAT ASSEMBLY

#	Part #	Description
1	197516	Seat
2	180166	Bracket pivot fender
3	140675	Strap, assembly fender
6	STD541437	Nut, lock w/ins. 3/8-16 unc
7	124181X	Spring, seat cprsn
8	171877	Bolt 5/16-18 unc x 3/4 w/sems
10	196977	Pan, seat
21	171852	Bolt, shoulder 5/16-18
37	STD541437	Nut, lock 5/16-18 unc
40	197661	Handle slide seat
41	198200	Spring latch seat
43	STD523707	Bolt fin hex 3/8-16 unc x 3/4
44	19133812	Washer 13/32 x 2-3/8 x 12 ga.
Not In Diag	410965	Manual, parts
Not In Diag	410964	Manual, operator's (eng/span)
Not In Diag	408314	Replacement mower, complete
Not In Diag	401964	Manual, operator's (eng/span)
Not In Diag	400981X428	Pad, footrest, control
Not In Diag	193226X428	Pad, footrest



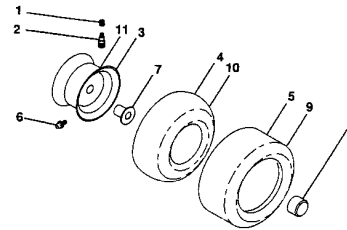
## DECALS

#	Part #	Description
1	410913	Decal, hood rh
2	410914	Decal, hood lh
3	410300	Decal, side panel
4	411697	Decal, fender
4	409874	Decal, fender
5	409460	Decal, engine hp
6	411657	Decal, fender operator's
7	409080	Decal, lower dash
8	199135	Decal, v-belt schematic
9	149516	Decal, battery dnge/poi
10	138047	Decal, battery
11	410794	Decal, replacement
12	133644	Decal, customer maint.
13	199135	Decal, mower v-belt sch.
14	160396	Decal, mower schematic
15	403869	Decal, deck prcsn plus
Not In Diag	410965	Manual, parts
Not In Diag	410964	Manual, operator's (eng/span)
Not In Diag	408314	Replacement mower, complete
Not In Diag	401964	Manual, operator's (eng/span)
Not In Diag	400981X428	Pad, footrest, control
Not In Diag	193226X428	Pad, footrest



## WHEELS AND TIRES

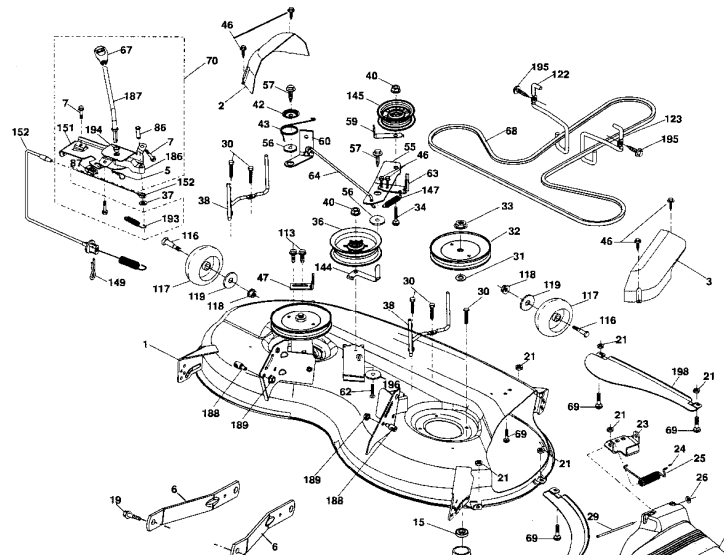
#	Part #	Description
1	59192	Cap, valve tire
2	65139	Stem, valve
3	106732X624	Rim assembly, front
4	59904	Tube, front
5	122073X	Tire, front
6	278H	Fitting, grease
7	9040H	Bearing, flange
8	104757X428	Cap, axle (front wheel only)
9	122074X	Tire, rear
10	7152J	Tube, rear
11	106108X624	Rim assembly, rear
Not In Diag	410965	Manual, parts
Not In Diag	410964	Manual, operator's (eng/span)
Not In Diag	408314	Replacement mower, complete
Not In Diag	401964	Manual, operator's (eng/span)
Not In Diag	400981X428	Pad, footrest, control
Not In Diag	193226X428	Pad, footrest
Not In Diag	192870	Mandrel assembly (includes housing, shaft and shaft hardware only)
Not In Diag	166960	Decal, bypass
Not In Diag	100032R	Sealant, tire, (10 oz. tube)



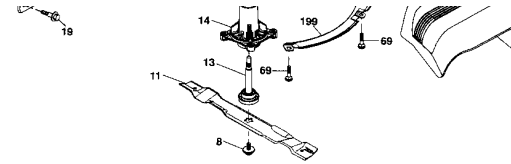


## MOWER DECK

#	Part #	Description
1	405049	Mower housing
2	405506	Cover mandrel rh
3	405507	Cover mandrel lh
5	STD624008	Retainer spring
6	195186	Arm suspension
7	191611	Screw 10 x 3/4 single hex
8	193003	Bolt/washer assembly 7/16-20 unf
11	405380	Blade mower
13	192872	Shaft assembly, mandrel
14	187281	Housing, mandrel
15	110485X	Bearing, ball, mandrel
19	196539	Bolt, shoulder
21	STD541431	Nut
23	192557	Bracket, deflector
24	105304X	Cap, sleeve
25	197026	Spring, torsion, deflector
26	110452X	Nut, push
27	405357	Shield, deflecteur
29	131491	Rod, hinge
30	173984	Screw thdrol rolling wsh hd
31	187690	Washer, spacer
32	195945	Pulley, mandrel
33	400234	Nut, toplock, flanged
34	72110612	Bolt carr sh. 3/8-16 x 1-1/2 gr. 5
36	193197	Pulley, idler, flat
37	STD551037	Washer 13/32 x 13/16 x 16 ga.
38	199189	Keeper belt lh mandrel
40	409148	Nut, lock fig. 3/8-16 unc
42	198410	Spring torsion brake



43	197256 Spring torsion retainer
46	137729 Screw
47	197250 Bracket clutch cable
55	197249 Arm, idler
56	199092 Spacer, retainer
57	17000616 Screw hexwsh thd 3/8-16 x 1
59	141043 Guard, tuv idler (94)
60	199471 Arm brake mower
62	74520636 Bolt fin hex 3/8-16 x 2-1/4 gr. 5
63	199477 Arm brake mower
64	405138 Linkage brake
67	198398X428 Handle, clutch cable
68	405143 V-belt
69	STD533106 Bolt
70	401246 Clutch assembly manual
86	197798 Pin attachment cable
87	197802 Switch interlock
113	17000510 Screw 5/16-18
116	4898H Bolt, shoulder
117	188606 Wheel, gauge
118	73930600 Nut, crownlock 3/8-1
119	STD551037 Washer 13/32 x 7/8 x 14 ga.
122	197258 Keeper belt eng. lh
123	197259 Keeper belt eng. rh
144	199204 Keeper belt
145	197379 Pulley idler
147	401872 Spring return
149	165898 Retainer spring yellow
151	401244 Bracket clutch cbl
152	197257 Cable clutch manual w/spr.
186	406563 Arm actuator cl cable
187	401245 Lever control cl cable
188	195161 Stud fastener
189	73900500 Nut lock hex flange
193	197801 Spring plunger actuator
194	197797 Bearing control lever clutch
195	17490636 Screw 3/8-16 x 2-1/4 unc
196	19133210 Washer 13/32 x 2 x 10 ga.
197	19131312 Washer 13/32 x 13/16 x 12 ga.
198	403149 Baffle center front
199	403150 Baffle front rh
Not In Diag	410965 Manual, parts
Not In Diag	410964 Manual, operator's (eng/span)
Not In Diag	408314 Replacement mower, complete
Not In Diag	401964 Manual, operator's (eng/span)
Not In Diag	400981X428 Pad, footrest, control
Not In Diag	193226X428 Pad, footrest
Not In Diag	192870 Mandrel assembly (includes housing, shaft and shaft hardware only-pulley not included)
Not In Diag	166960 Decal, bypass
Not In Diag	100032R Sealant, tire, (10 oz. tube)

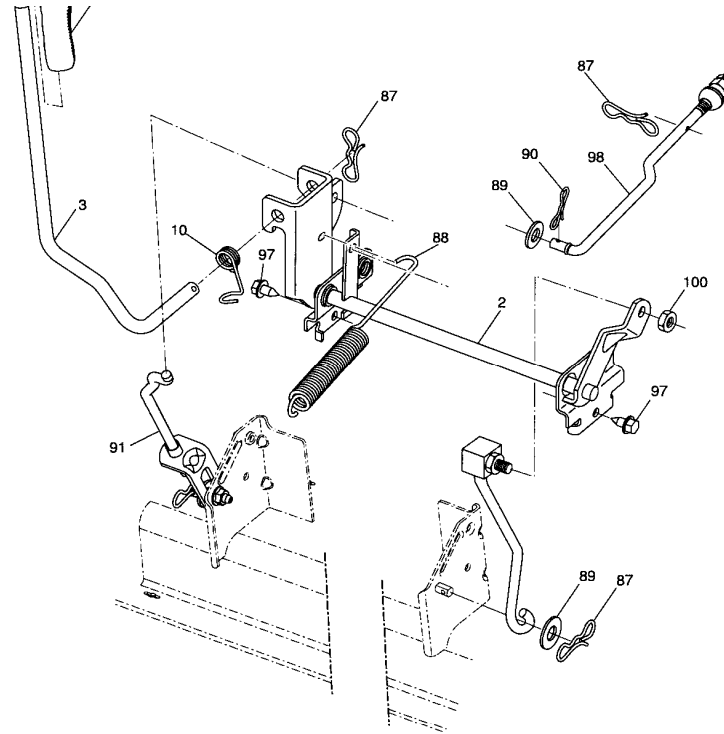


## LIFT ASSEMBLY

#	Part #	Description
2	195223	Shaft assembly, lift
3	195231	Lever assembly, lift rh
7	196492	Grip, lever

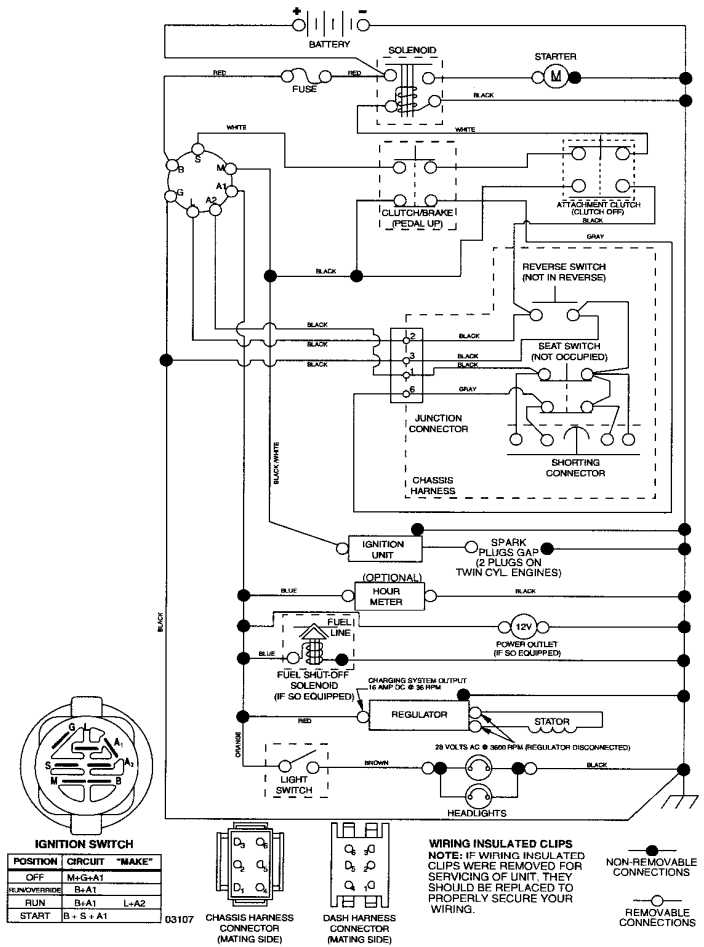


- 10 196314 Spring torsion
- 87 194209 Pin cotter 7/16 bow tie lock
- 88 195303 Spring lift assist
- 89 19191912 Washer clear zinc
- 90 194208 Pin cotter 5/16 bow tie lock
- 91 195181 Link assembly lift rear
- 97 17000612 Screw 3/8-16 x .75 smgml tap/r.z.
- 98 195270 Link lift susp. front mower
- Not In Diag 410965 Manual, parts
- Not In Diag 410964 Manual, operator's (eng/span)
- Not In Diag 408314 Replacement mower, complete
- Not In Diag 401964 Manual, operator's (eng/span)
- Not In Diag 400981X428 Pad, footrest, control
- Not In Diag 193226X428 Pad, footrest
- Not In Diag 192870 Mandrel assembly (includes housing, shaft and shaft hardware only)
- Not In Diag 166960 Decal, bypass
- Not In Diag 100032R Sealant, tire, (10 oz. tube)



**SCHEMATIC DIAGRAM-TRACTOR**

#	Part #	Description
Not In Diag	410965	Manual, parts
Not In Diag	410964	Manual, operator's (eng/span)
Not In Diag	408314	Replacement mower, complete
Not In Diag	401964	Manual, operator's (eng/span)
Not In Diag	400981X428	Pad, footrest, control
Not In Diag	193226X428	Pad, footrest
Not In Diag	192870	Mandrel assembly (includes housing, shaft and shaft hardware only-pulley not included)
Not In Diag	166960	Decal, bypass
Not In Diag	100032R	Sealant, tire, (10 oz. tube)



# TRANSAXLE

#	Part #	Description
7	414395	Vent valve 15
8	414396	Magnet
9	414397	Magnet holder
10	415923	Pump shaft/bearing kit
13	414398	Bypass lever
15	414399	Sealing cap 30
16	414400	Snap ring c35
19	414401	O-ring 1a p10a
20	414402	Seal tc 153507
33	414403	Pump shaft (standard)
34	414404	E-ring 15
35	414405	Bearing 6202c3
53	414431	Control lever f
55	415924	Washer 12
58	415925	Roll pin 6*40
59	415926	O-ring 1a p14
60	415927	Nut 12
72	414407	Seal 19*32*8
76	414408	Brake lever
78	414409	Brake return spring
80	414410	Spring pin 5*32
81	414411	O-ring 1a p12
82	414412	Spring pin 4*16
83	414413	Spine collar
84	414414	Pulley I
85	414415	Fan, black
86	414416	Wave washer
87	414417	Snap ring
90	414418	Spring pin 3.0a*20
91	414419	Oil seal 16*22*.03
95	414850	Spring pin 3.0a*16
96	414420	Roll pin 3.5*40
115	415928	Switch 6440-11 delta
116	415929	Switch bracket
117	415930	Tapping screw 8*20

## MODEL K46BT 7A646084180

ACTUAL PARTS  
MAY NOT APPEAR  
AS SHOWN

