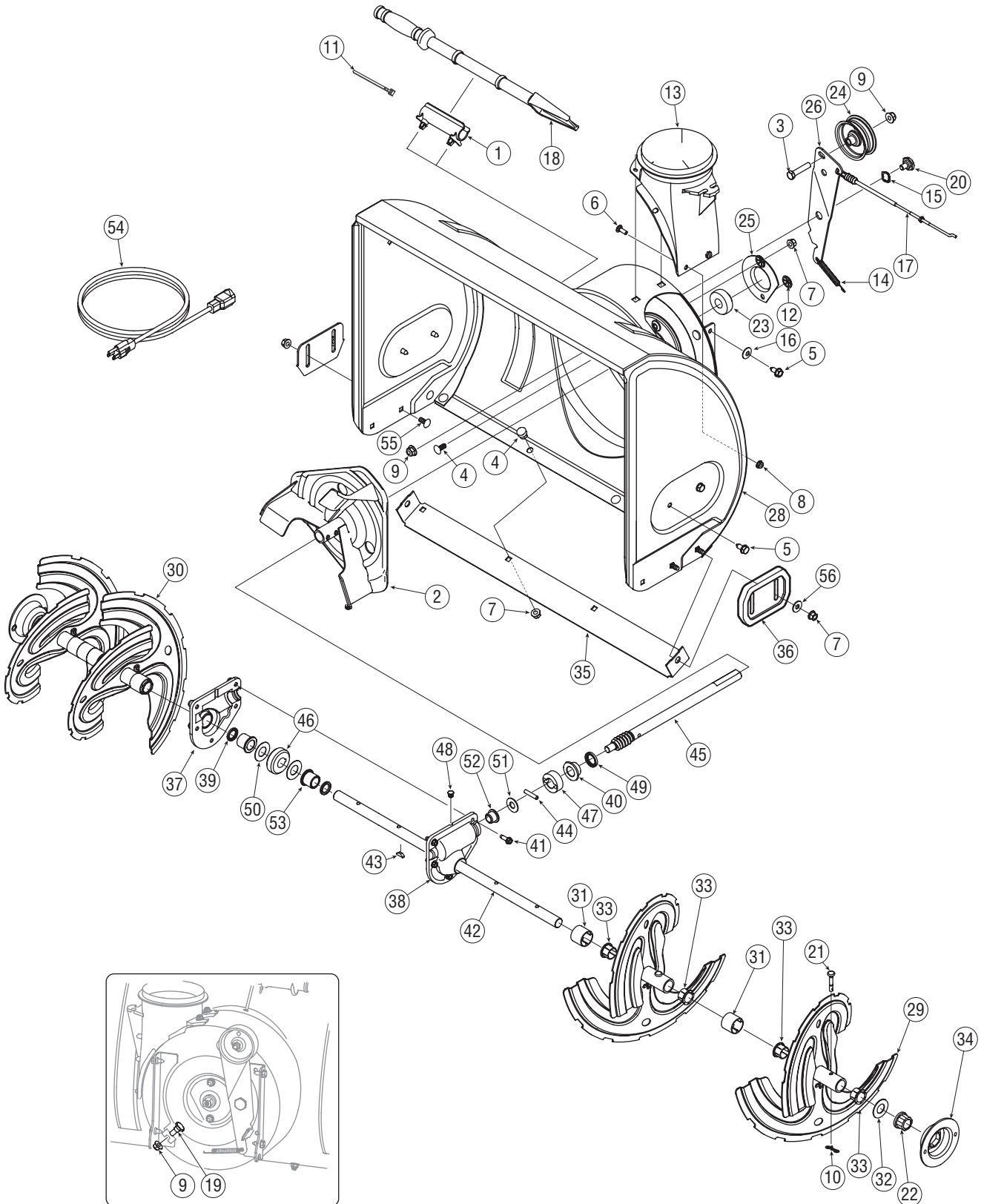


# PARTS LIST

Craftsman Snow Thrower Model 247.88955



# PARTS LIST

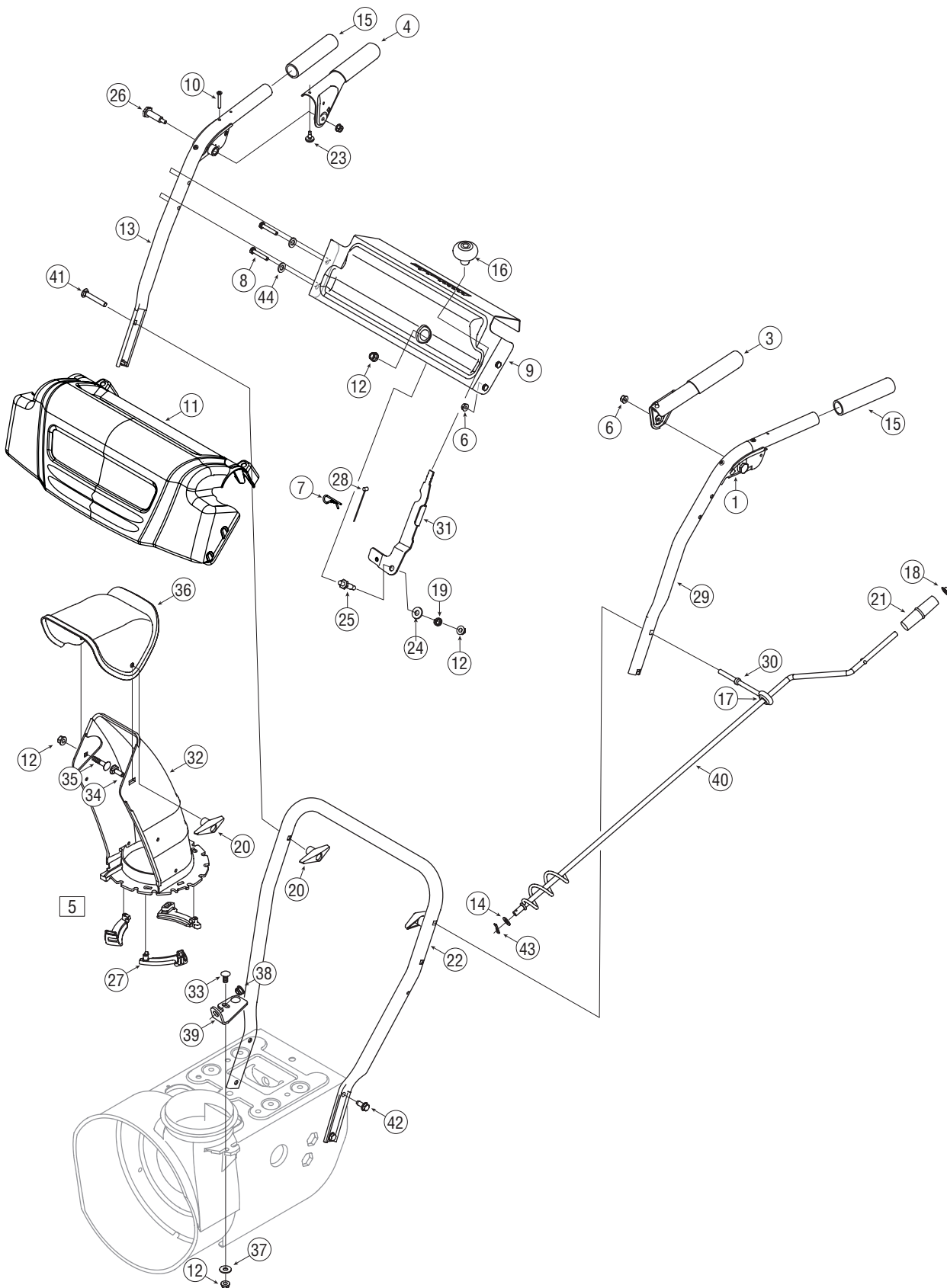
## Craftsman Snow Thrower Model 247.88955

Ref. No.	Part No.	Description
1.	731-2635	Snow Removal Tool Mount
2.	684-04057A	Impeller Assembly, 12" Dia.
3.	710-0347	Hex Screw, 3/8-16, 1.75, Gr5
4.	710-0451	Bolt, Carriage, 5/16-18, .750 Gr1
5.	710-04484	Screw, 5/16-18, 0.750
6.	710-0703	Screw, Carriage, 1/4-20, .750, Gr5
7.	712-04063	Nut, Flange Lock, 5/16-18, Nylon
8.	712-04064	Nut, Flange Lock, 1/4-20, Nylon
9.	712-04065	Nut, Flange Lock, 3/8-16, Nylon
10.	714-04040	Cotter Pin, Bow-tie
11.	725-0157	Cable, Tie, 3/16 x .05 x 7.4
12.	726-04012	Nut, Push-on, .25 Dia
13.	731-04705	Chute, Adapter 5" Dia
14.	732-04460	Spring, Extension, .38 OD x 4.59
15.	736-0174	Washer, Wave, .625 x .885 x .015
16.	736-0242	Washer, Bell, .340 x .872 x .060
17.	746-04230	Clutch Cable, Auger, 47.23"
18.	731-2643	Snow Removal Tool
19.	738-0143	Screw, Shoulder, .498 x .34, 3/8-16
20.	738-0281	Screw, Shoulder, .625 x .17, 3/8-16
21.	738-04124A	Shear Pin, .25 x 1.50
22.	741-0245	Bearing, Hex Flange x .75 ID
23.	741-0309	Bearing, Ball, .75 ID x 1.85 OD
24.	756-0981B	Flat Pulley, Idler, 2.75 OD
25.	790-00075	Housing, Bearing, 1.85 ID
26.	790-00080A	Bracket, Auger Idler w/ Brake
27.	618-04171A	Gearbox Assembly, Auger, 24"
28.	684-04265	Housing Assembly, Auger 24"

Ref. No.	Part No.	Description
29.	684-04107	Spiral Assembly, LH
30.	684-04108	Spiral Assembly, RH
31.	731-04870	Spacer, 1.25 OD x .75 ID x 1.00
32.	736-0188	Washer, Flat, .76 x 1.49 x .06
33.	741-0493A	Bushing, Flange, .80 ID x .91 OD
34.	790-00087A	Housing, 1" Hex Bearing
35.	790-00120	Shave Plate, 2.25 x 23.66
36.	731-06439	Slide Shoe
37.	618-0123A	Housing, Auger, RH
38.	618-0124A	Housing, Auger, LH
39.	721-0338	Seal, Oil, .750 x 1.00 x .125
40.	741-0662	Bearing, Flange, .75 x 1.0 x .59
41.	710-0642	Screw, Self-tapping, 1/4-20, 0.750
42.	711-04285	Axle, Auger, 24"
43.	714-0161	Key, Hi-pro 3/16 x 5/8
44.	715-04021	Pin, Dowel, .25 OD x 1.2
45.	717-04126	Shaft, Worm .75 OD
46.	717-04449	Gear, Worm 20T
47.	718-04071	Collar, Thrust
48.	721-0325	Plug, 1/4 x .437
49.	721-0327	Seal, Oil, .75 x 1 x .131
50.	736-0351	Washer, Flat, .760 ID x 1.5 OD
51.	736-3084	Washer, Flat, .51 x 1.12
52.	741-0663	Bearing, Flange, .75 x 1.0 x .925
53.	741-0661A	Bearing, Flange, .75 x 1.00 x .975
54.	629-0071	Extension Cord, 110V
55.	710-0276	Screw, Carriage, 5/16-18 x 1.00
56.	736-0159	Washer, Flat, .349 x .879 x .063

# PARTS LIST

Craftsman Snow Thrower Model 247.88955



# PARTS LIST

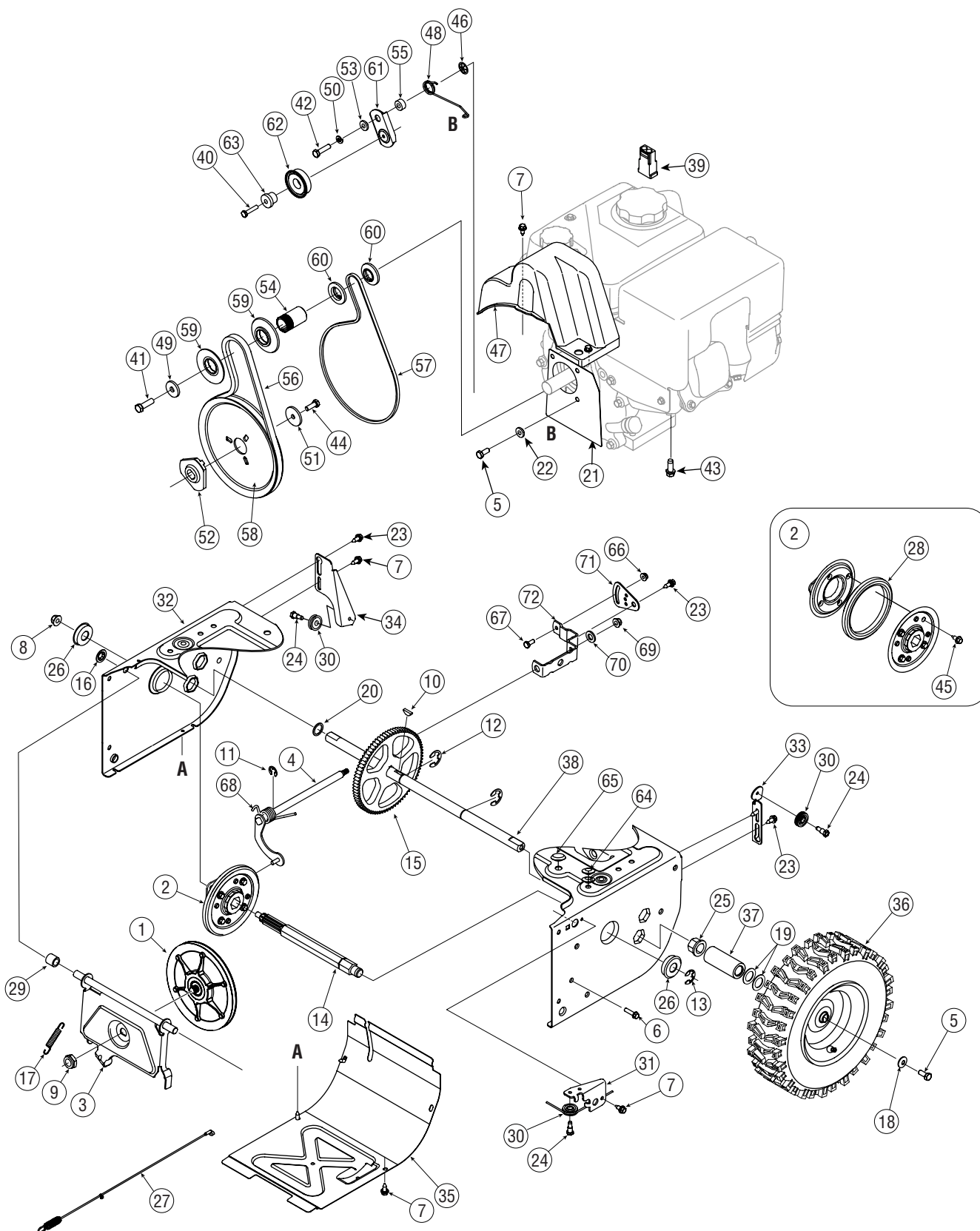
## Craftsman Snow Thrower Model 247.88955

Ref. No.	Part No.	Description
1.	631-04133A	Handle Assembly, Clutch Lock, LH
2.	631-04134B	Handle Assembly, Clutch Lock, RH
3.	684-04105B	Handle Ass'y, Engage, Black, LH
4.	684-04106B	Handle Ass'y, Engage, Black, RH
5.	631-04131B	Chute Assembly (Includes Ref. # 27)
6.	712-04064	Nut, Flgk, 1/4-20
7.	714-0145	Click Pin
8.	710-0136	Screw, 1/4-20, 1.75, Gr5
9.	790-00219	Panel, Handle, (no cutout)
10.	710-1233	Screw, Machine, #10-24, 1.375
11.	731-06471	Handle Panel Cover
12.	712-04063	Nut, Flange Lock, 5/16-18, Nylon
13.	749-04190A	Handle, Upper, RH
14.	736-0185	Washer, Flat, .375 x .738 x .063
15.	720-0274	Grip, 1.0 ID x 5.0
16.	720-04039	Knob, Shift, Black
17.	735-0234	Grommet, .44 ID x .94 OD x .50
18.	726-0100	Cap, Push, 3/8 Rod
19.	732-0193	Spring, .39 x .60 x .88
20.	720-0284	Knob, 5/16-18, Black
21.	720-0201A	Crank Knob, 1.0 Dia. x 3.2, Black
22.	749-04138A	Handle, Lower

Ref. No.	Part No.	Description
23.	735-0199A	Bumper, Rubber, .62 OD x .22
24.	736-0262	Washer, Flat, .385 x .870 x .092
25.	738-04118	Bolt, Shoulder, 5/16-18 x 0.905
26.	738-04348	Screw, Shoulder, .43 x 1.3, 1/4-20
27.	731-04869	Chute, Flange Keeper
28.	746-04397	Cable, Speed Selector
29.	749-04191A	Handle, Upper, LH
30.	747-04263	Eye Bolt, Chute Crank
31.	790-00313	Shift Lever
32.	731-04912B	Chute, Lower, 5.0 Dia.
33.	710-0276	Bolt, Carriage, 5/16-18, 1.0
34.	710-04071	Bolt, Carriage, 5/16-18, 1.0
35.	710-0451	Bolt, Carriage, 5/16-18, .750
36.	731-04426A	Chute, Upper, w/ Label
37.	736-0159	Washer, .349 x .879 x .063
38.	741-0475	Bushing, Plastic, .380
39.	784-5647	Bracket, Chute Crank
40.	684-04104	Crank Assembly, Chute
41.	710-0449	Screw, Carriage, 5/16-18, 2.25
42.	710-04484	Screw, 5/16-18, 2.25, Gr5
43.	714-0104	Pin, Cotter, .072 x 1.13
44.	736-0463	Washer, Flat, .25 x .630 x .0515

# PARTS LIST

Craftsman Snow Thrower Model 247.88955



# PARTS LIST

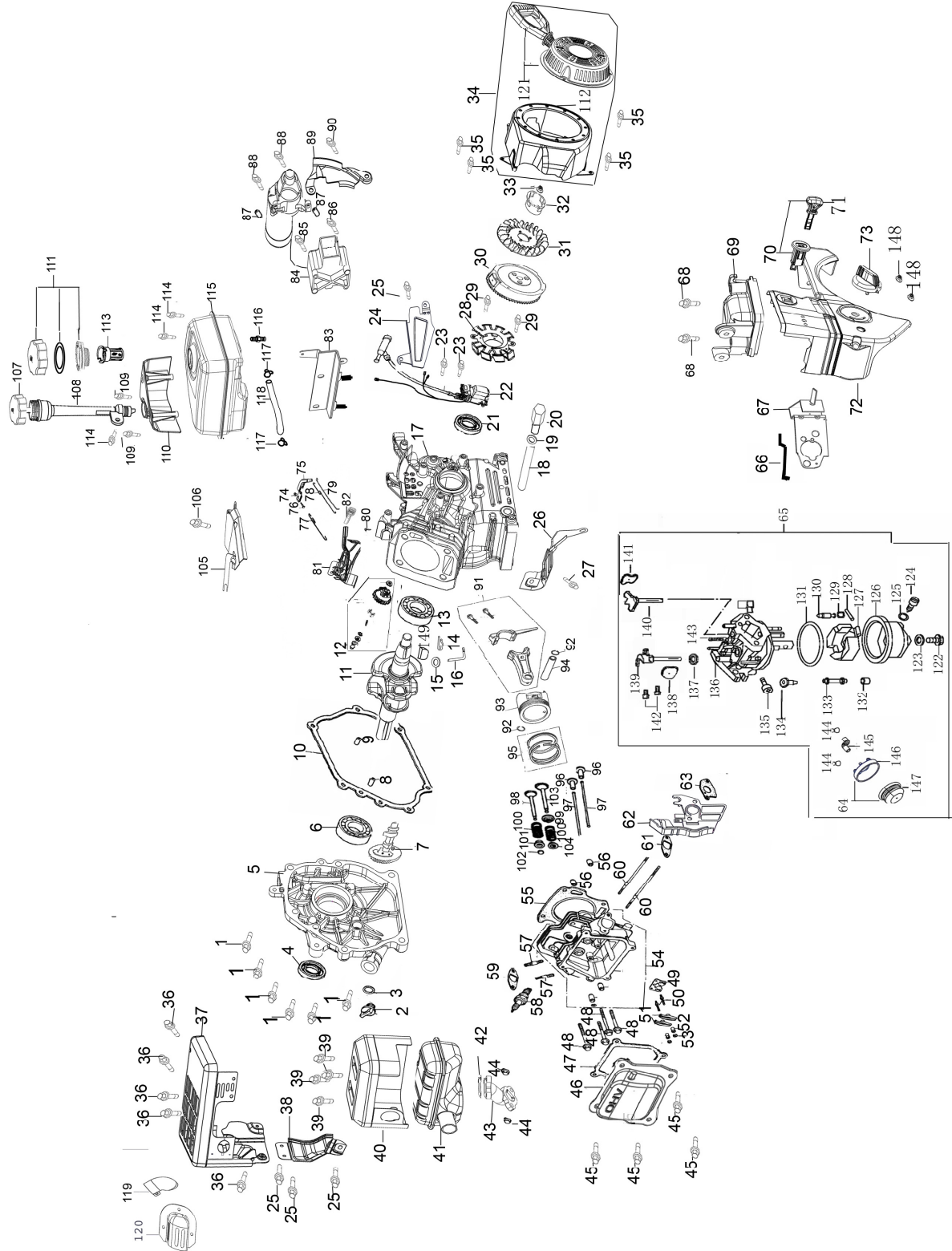
## Craftsman Snow Thrower Model 247.88955

Ref. No.	Part No.	Description
1.	656-04025A	Disc Assembly, Friction Wheel
2.	684-04153	Friction Wheel Assembly, 5.5 OD
3.	684-04154	Support Bracket, Friction Wheel
4.	684-04156A	Shift Assembly, Rod
5.	710-0627	Hex Screw, 5/16-24, .750, Gr5
6.	710-0788	Screw, 1/4-20, 1.000
7.	710-1652	Screw, 1/4-20 x .625
8.	712-04065	Nut, Flange Lock, 3/8-16, Nylon
9.	712-0417A	Nut, Flange, 5/8-18
10.	714-0126	Key, Hi Pro, 3/16 x 3/4 Dia.
11.	716-0104	E-ring, .500 Dia.
12.	716-0136	E-ring, Retaining, .875 Dia.
13.	716-0231	E-ring, .750 Dia.
14.	717-04209A	Hex Shaft, .8125, 7-Tooth
15.	717-04230	Gear, 80-Tooth
16.	726-0221	Speed Nut, .500
17.	732-0264	Extension Spring
18.	736-0242	Washer, Bell, .340 x .872 x .060
19.	736-0287	Washer, Flat, .793 x 1.24 x .060
20.	736-04161	Washer, Flat, .75 x 1.00 x .060
21.	790-00289A	Plt., Cvr.
22.	748-0234	Shoulder Spacer
23.	738-04184A	Screw, Shoulder, .37 x .105, 1/4-20
24.	738-0924A	Screw, 1/4-28, .375
25.	741-0245	Bearing, Hex Flange x .75 ID
26.	741-0563	Bearing, Ball, 17 x 40 x 12
27.	746-04229	Clutch Cable, Wheel, 44.95"
28.	735-04054	Rubber, Friction Wheel, 5.5 OD
29.	748-0190	Spacer, .508 ID x .75 OD x .68
30.	756-0625	Roller, Cable
31.	790-00096	Front Guide Bracket, Auger Cable
32.	790-00180A	Frame
33.	790-00206A	Guide Bracket, Auger Cable
34.	790-00207A	Guide Bracket, Drive Cable
35.	790-00316	Cover, Frame
36.	634-04167A	LH Wheel Assembly
	634-04168A	RH Wheel Assembly

Ref. No.	Part No.	Description
37.	731-04873	Spacer, 1.25 x .75 x 3.0
38.	738-04168	Axle, .75 x 22"
39.	729-04035	Conn., Amp
40.	710-0809	Hex Screw, 1/4-20, 1.25, Gr5
41.	710-0191	Hex Screw, 3/8-24, 1.25, Gr8
42.	710-0672	Hex Screw, 5/16-24, 1.25, Gr5
43.	710-0654A	Screw, Sems, 3/8-16, 1.00
44.	710-1245B	Hex Screw, 5/16-24, .875, Gr8
45.	710-0896	Screw, 1/4-20 x .625
46.	726-04012	Nut, Push-on, .25 Dia.
47.	731-04792A	Cover, Belt
48.	732-04308A	Spring, Torsion, .850 ID x .354
49.	736-0247	Washer, Flat, .406 x 1.25 x .157
50.	736-0119	Washer, Lock .3125
51.	736-0505	Washer, Flat, .34 x 1.50 x .150
52.	748-04053A	Pulley, Adapter, .75 Dia.
53.	748-04112A	Spacer, Shoulder, .317 x .50 x .102
54.	750-04303	Spacer, .875 ID x 1.185 OD
55.	750-04477	Spacer, .340 x .750 x .360
56.	754-04050	Belt, Auger Drive
57.	754-0367	Belt, Wheel Drive
58.	756-04109	Pulley, Auger Drive, 8.1 x .5
59.	756-04113	Pulley, Half, V x 2.600 OD
60.	756-04252	Pulley, Half, 3/8-V x 1.7160 OD
61.	790-00208C	Idler Bracket, Wheel Drive
62.	684-04169	Idler Pulley Assembly
63.	750-04571	Spacer, Shoulder, .26 x .79 x .538
64.	735-04099	Plug, 3/8 ID
65.	735-04100	Plug, 1/2 ID
66.	712-04064	Nut, Flange Lock, 1/4-20, Nylon
67.	710-0751	Hex Screw, 1/4-20, .620, Gr5
68.	732-04311	Spring, Torsion, .750 ID x .968
69.	712-04063	Nut, Flange Lock, 5/16-18, Nylon
70.	736-3015	Wash., Flat, .469 x .875 x .105
71.	790-00217A	Pivot Bracket, Speed Selector
72.	790-00218A	Shift Bracket, Speed Selector

# PARTS LIST

Craftsman Engine Model ZS365-SUA For Snow Thrower Model 247.88955



# PARTS LIST

## Craftsman Engine Model ZS365-SUA For Snow Thrower Model 247.88955

Part No.	Description	Ref. No.	Part No.	Description	Ref. No.
751-10645A	Electric Starter	84	751-10723	Gasket Kit Complete	
751-10646	Ignition Coil	22		Oil Seal	4
751-10663A	Fan Cover	112		Crankcase Cover Gasket	10
751-10658	Recoil Starter Assembly	121		O-Ring	15
751-10654	Governor Spring	77		Oil Seal	21
751-10664	Throttle Return Spring	78		Cylinder Head Gasket	55
751-10665	Governor Rod	79		Muffler Gasket	59
751-10655	Dipstick	107		Valve Cover Gasket	47
751-10656	Dipstick Tube	108		Carburetor Insulator Gasket	61
751-10662	Cover - Engine/Dipstick	110		Carburetor Insulator	62
751-10652	Fuel Filter	113		Carburetor Gasket	63
751-10653A	Fuel Tank	115		Paper Gasket	42
751-10642A	Muffler Shroud	37		Oil Drain Washer	19
751-10666	Muffler Gasket	59	751-10661	Gasket Kit External	
751-10292	Spark Plug	58		Oil Drain Washer	19
751-10639	Primer	64		Muffler Gasket	59
751-10974	Carburetor Assembly	65		Carburetor Insulator Gasket	61
751-10635	Air Filter Heating Pipe Cover	69		Carburetor Insulator	62
751-10637	Ignition Switch	70		Carburetor Gasket	63
731-05632	Ignition Key	71		Valve Cover Gasket	47
751-10636	Choke Knob	73	751-10722	Cylinder Head Assembly	
751-10634	Engine Shroud	72		Rocker Arm	51
751-10643	Muffler Shield	40		Intake Valve	103
751-10640	Choke Push Rod	66		Exhaust Valve	98
751-10651	Fuel Tank Nipple	116		Valve Spring	100
751-10307	Flywheel Key	149		Valve Spring Retainers - Exhaust	101
731-05696	Starter Handle	N/A		Valve Adjusting Nut	52
752Z365-SUA	Engine Complete	N/A		Pivot Locking Nut	53
				Pivot Bolt	50
751-10719	Stator	28		Push Rod Guide Plate	49
751-10911	Starter Cup	32		Valve Cover Gasket	47
751-10909	Cooling Fan	31		Carburetor Insulator Gasket	61
751-10805	Flywheel	30		Carburetor Insulator	62
751-10757	Throttle Control Knob	82		Muffler Gasket	59
751-10758	Throttle Control Assembly	81		Cylinder Head Gasket	55
				Cylinder Head	54
				Exhaust Valve Adjuster	102
				Valve Spring Retainer- Intake	104
				Valve Seal	99



# PARTS LIST

## Craftsman Engine Model ZS365-SUA For Snow Thrower Model 247.88955

Part No.	Description	Ref. No.
751-10724	Short Block Assembly	
	Crankcase Complete	17
	Oil Pipe Reserve	N/A
	Crankcase Cover	5
	Piston	93
	Piston Ring Assembly	95
	Piston Pin	94
	Piston Pin Clip	92
	Connecting Rod Assembly	91
	Tappet	96
	Camshaft Assembly	7
	Carburetor Insulator Gasket	61
	Crankshaft Complete	11
	Carburetor Insulator	62
	Muffler Gasket	59
	Governor Arm	16
	Lock Pin	14
	Governor Kit	12
	Crankcase Cover Gasket	10
	Cylinder Head Gasket	55
	Oil Drain Bolt	20
	Oil Drain Plug Washer	19
	Dowel Pin	9
	Dowel Pin	8
	Dowel Pin	56
	Radial Ball Bearing	13
	Bolt	1
	Oil Seal	4
	O-Ring - Governor Arm	15
	Oil Filler Plug	2
	O-Ring - Oil Filler Plug	3
	Oil Drain Pipe	18
	Radial Ball Bearing	6
	Oil Seal	21

Part No.	Description	Ref. No.
751-10641	Oil Drain Assembly	
	Oil Drain Pipe	18
	Drain Bolt	20
751-10647	Valve Kit	
	Exhaust Valve	98
	Intake Valve	103
751-10648	Push Rod Kit	
	Push Rod	97
751-10649	Fuel Cap Assembly	
	Fuel Cap Complete	111
	Packing ( Gasket )	N/A
	Clip ( Gasket Retainer )	N/A
751-10650	Fuel Line Kit	
	Fuel Line Clamp	117
	Fuel Line	118
751-10657	Muffler Stud Assembly	
	Muffler Stud	57
751-10669	Oil Fill Plug Assembly	
	Oil Fill Plug	2
	O-Ring	3
751-10644	Muffler Assembly Complete	
	Muffler Assembly	41
	Exhaust Pipe	43