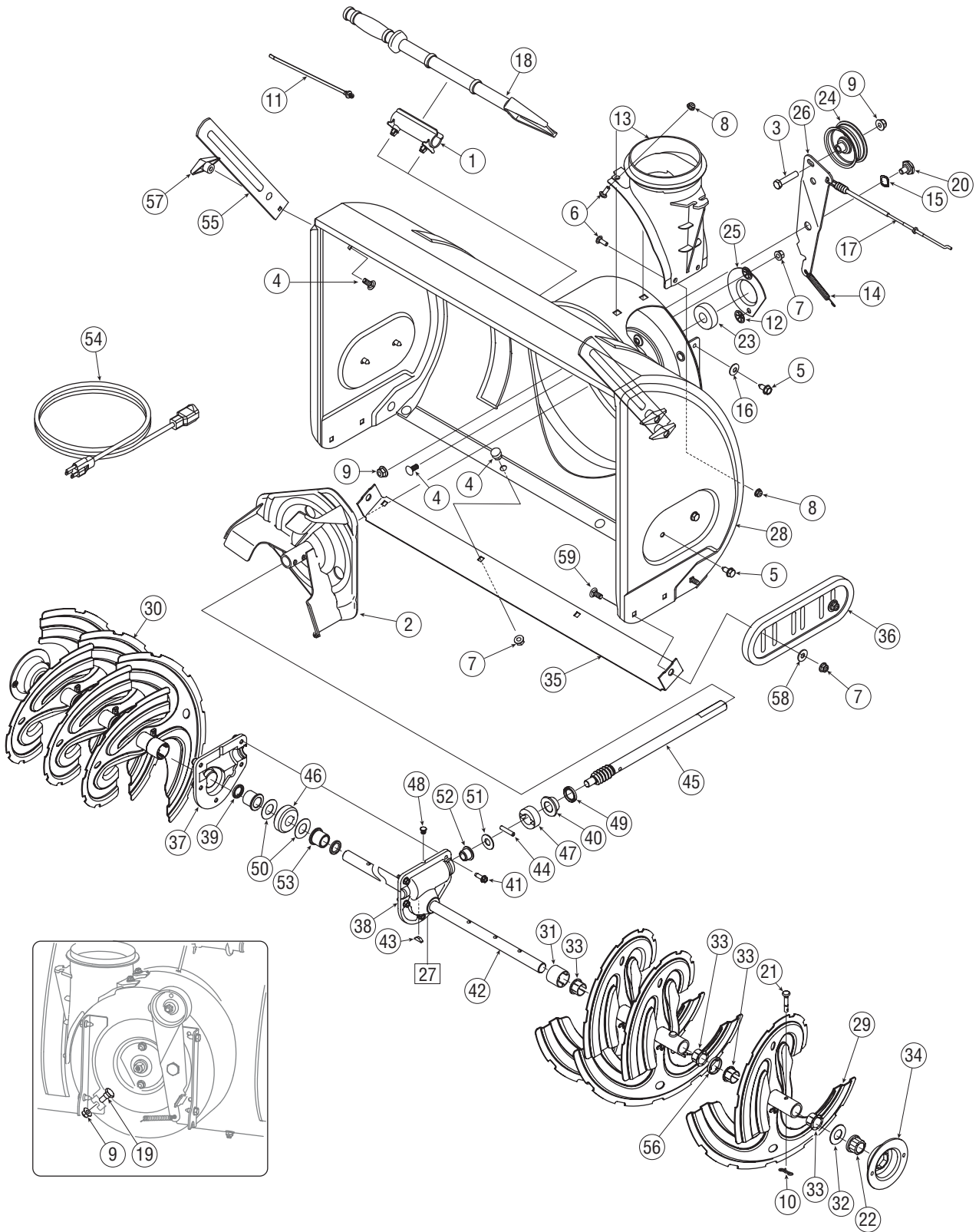


PARTS LIST

Craftsman Snow Thrower Model 247.883960



PARTS LIST

Craftsman Snow Thrower Model 247.883960

Ref. No.	Part No.	Description
1.	731-2635	Snow Removal Tool Mount
2.	684-04057A-0637	Impeller Assembly, 12" Dia.
3.	710-0347	Hex Screw, 3/8-16, 1.75, Gr5
4.	710-0451	Bolt, Carriage, 5/16-18, .750 Gr1
5.	710-04484	Screw, 5/16-18, 0.750
6.	710-0703	Screw, Carriage, 1/4-20, .750, Gr5
7.	712-04063	Nut, Flange Lock, 5/16-18, Nylon
8.	712-04064	Nut, Flange Lock, 1/4-20, Nylon
9.	712-04065	Nut, Flange Lock, 3/8-16, Nylon
10.	714-04040	Cotter Pin, Bow-tie
11.	725-0157	Cable, Tie, 3/16 x .05 x 7.4
12.	926-04012	Nut, Push-on, .25 Dia
13.	731-07525	Chute, Adapter 5" Dia
14.	732-04460	Spring, Extension, .38 OD x 4.59
15.	736-0174	Washer, Wave, .625 x .885 x .015
16.	736-0242	Washer, Bell, .340 x .872 x .060
17.	946-04230A	Clutch Cable, Auger, 47.23"
18.	931-2643	Snow Removal Tool
19.	738-0143	Screw, Shoulder, .498 x .34, 3/8-16
20.	938-0281	Screw, Shoulder, .625 x .17, 3/8-16
21.	738-04124A	Shear Pin, .25 x 1.50
22.	941-0245	Bearing, Hex Flange x .75 ID
23.	941-0309	Bearing, Ball, .75 ID x 1.85 OD
24.	756-04224	Flat Pulley, Idler, 2.75 OD
25.	790-00075	Housing, Bearing, 1.85 ID
26.	790-00080B	Bracket, Auger Idler w/ Brake
27.	918-04165A	Gearbox Assembly, Auger, 30"
28.	684-04267-0691	Housing Assembly, Auger 30"
29.	684-04107-4028	Spiral Assembly, LH
30.	684-04108-4028	Spiral Assembly, RH

Ref. No.	Part No.	Description
31.	731-04870	Spacer, 1.25 OD x .75 ID x 1.00
32.	736-0188	Washer, Flat, .76 x 1.49 x .06
33.	741-0493A	Bushing, Flange, .80 ID x .91 OD
34.	790-00087A-0637	Housing, 1" Hex Bearing
35.	790-00119-0691	Shave Plate, 2.25 x 29.66
36.	731-05984A	Slide Shoe
37.	918-0123A	Housing, Auger, RH Reduced
38.	918-0124A	Housing, Auger, LH Reduced
39.	921-0338	Seal, Oil, .750 x 1.00 x .125
40.	741-0662	Bearing, Flange, .75 x 1.0 x .59
41.	710-0642	Screw, Self-tapping, 1/4-20, 0.750
42.	711-04282	Axle, Auger, 30"
43.	914-0161	Key, Hi-pro 3/16 x 5/8
44.	715-04021	Pin, Dowel, .25 OD x 1.2
45.	917-04126	Shaft, Worm .75 OD
46.	917-0528A	Gear, Worm 20T
47.	718-04071	Collar, Thrust
48.	721-0325	Plug, 1/4 x .437
49.	721-0327	Seal, Oil, .75 x 1 x .131
50.	936-0351	Washer, Flat, .760 ID x 1.5 OD
51.	736-3084	Washer, Flat, .51 x 1.12
52.	741-0663	Bearing, Flange, .75 x 1.0 x .925
53.	741-0661A	Bearing, Flange, .75 x 1.00 x .975
54.	929-0071A	Extension Cord, 110V
55.	790-00181-0637	Drift Cutter
56.	731-04871	Spacer, 1.25 OD x .75 ID x 3/16
57.	920-0284	Wing Nut
58.	936-0159	Washer, Flat, .349 x .879 x .063
59.	710-0276	Scr., Crg., 5/16-18 x 1.00

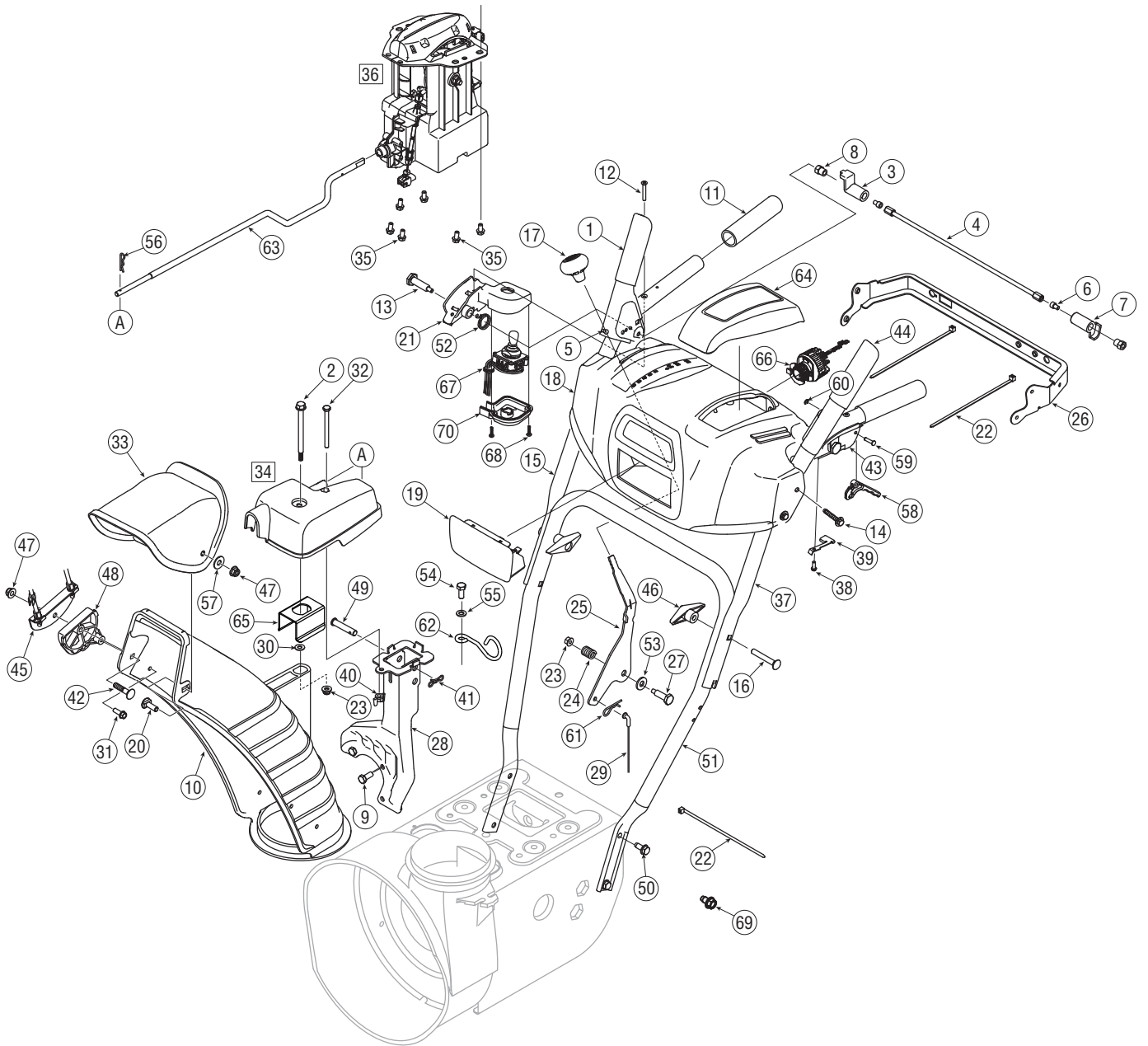
PARTS LIST

Ref. No.	Part No.	Description
1.	710-1652	AB Screw, 1/4-20 x 0.625
2.	731-06401	Belt Cover
3.	735-04099	Plug, 3/8 ID
4.	711-1268B	Actuator Shaft
5.	946-04229B	Drive Clutch Cable
6.	732-04345	Extension Spring
7.	790-00207C	Drive Clutch Cable Guide Bracket
8.	684-04156A	Shift Rod Assembly
9.	750-04474	Axle Support Tube
10.	914-0126	Hi Pro Key
11.	735-04100	Plug, 1/2 ID
12.	917-04210	Gear, 56T
13.	941-0245	Hex Flange Bearing
14.	790-00206A-0637	Auger Clutch Cable Guide Bracket
15.	756-0625	Cable Roller
16.	738-0924A	C Screw, 1/4-28 x 0.375
17.	618-04288	Dogg Assembly - LH
	618-04287	Dogg Assembly - RH
18.	926-04012	Push-on Nut
19.	750-04477A	Spacer
20.	936-3015	Washer, Flat
21.	732-04311A	Torsion Spring, .750ID x .968 Lg.
22.	731-05297	Spacer
23.	916-0104	E Ring
24.	736-0188	Flat Washer, .76 x 1.49 x .06
25.	736-0626	Flat Washer
26.	741-04076	Ball Bearing
27.	938-04180	Axle
28.	731-04873	Spacer
29.	710-0654A	TT Sems Screw, 3/8-16 x 1.0
30.	710-0788	TT Screw, 1/4-20 x 1.0
31.	790-00185-0691	Shaft Retainer - LH
32.	634-04136-0911	Wheel Complete - LH
	634-04137-0911	Wheel Complete - RH
33.	736-0242	Bell Washer
34.	710-0627	Hex Bolt, 5/16-24 x 0.75
35.	684-04154B-0637	Friction Wheel Support Brkt. Assy.
36.	790-00096-0637	Auger Cable Guide Bracket
37.	748-0190	Spacer
38.	738-04184A	Shoulder Screw
39.	790-00316-0637	Frame Cover
40.	656-04055	Friction Wheel Disc Assembly
41.	918-04322A	Drive Shaft Assembly

Ref. No.	Part No.	Description
42.	684-04159	Friction Wheel Assembly
43.	716-0136	Retainer Ring
44.	726-0221	Speed Nut
45.	790-00183B-0637	Wheel Drive Frame
46.	756-04109	Auger Pulley
47.	736-0505	Flat Washer
48.	738-04439	Shoulder Screw
49.	936-0119	Lock Washer
50.	684-04169	Idler Pulley Assembly
51.	790-00332-0637	Plt., Cvr.
52.	750-04571	Spacer
53.	732-04308B	Torsion Spring
54.	710-0672	Hex Screw, 5/16-24 x 1.25
55.	756-04252	Pulley Half
56.	954-04201A	Belt, Wheel Drive
57.	710-0809	TT Screw, 1/4-20 x 1.25
58.	790-00208C	Drive Clutch Idler Bracket
59.	748-04112B	Shoulder Spacer
60.	932-0264	Extension Spring
61.	712-0417A	Flange Nut, 5/8-18
62.	750-04303	Spacer
63.	756-04113	Pulley Half
64.	736-0247	Flat Washer
65.	710-0191	Hex Bolt, 3/8-24 x 1.25
66.	748-04053A	Pulley Adapter
67.	946-0956B	Steering Cable
68.	790-00186-0691	Shaft Retainer - RH
69.	750-0767	Axle Spacer
70.	712-04065	Flange Lock Nut, 3/8-16
71.	954-04195	V-Belt,.500 x 37.00 Lg
72.	710-0751	Hex Screw, 1/4-20 x .620
73.	790-00217A-0637	Speed Selector Pivot Bracket
74.	790-00218A-0637	Speed Selector Shift Bracket
75.	712-04063	Flange Lock Nut, 5/16-18
76.	712-04064	Flange Lock Nut, 1/4-20
77.	618-0063A	Friction Wheel Bearing Assembly
78.	935-04054	Friction Wheel
79.	790-00174	Friction Plate
80.	710-0599	Screw, 1/4-20 x .500
81.	936-0329	Lock Washer
82.	736-0320	Washer, Flat, .38 x 1.38 x .125
83.	710-1245B	Hex Bolt, 5/16-24 x 0.875
84.	952Z483-SUB	Replacement Engine

PARTS LIST

Craftsman Snow Thrower Model 247.883960



PARTS LIST

Craftsman Snow Thrower Model 247.883960

Ref. No.	Part No.	Description
1.	684-04112C	Handle Engagement Assembly RH
2.	738-04367	Flange Shoulder Screw
3.	731-04894D	Lock Plate
4.	684-04250	Pivot Rod
5.	935-0199A	Rubber Bumper
6.	710-3069	Screw, 1/4-20 x .500
7.	731-04896B	Clutch Lock Cam
8.	712-04081A	Shoulder Nut, 1/4-20
9.	710-0627	Hex Screw, 5/16-24 x .750
10.	731-06440A	Lower Chute
11.	720-0274	Grip
12.	710-1233	Screw, #10-24 x 0.375
13.	738-04348	Shoulder Screw, 1/4-20
14.	710-04586	Screw, 1/4-20 x 1.625
15.	749-04190A-0691	Upper Handle RH
16.	710-0572	Carriage Screw, 5/16-18 x 2.25
17.	720-04039	Shift Knob
18.	931-04187A	Handle Panel
19.	731-05324	Lens
20.	710-04071	Carriage Bolt, 5/16-18 x 1.0
21.	631-04653	Handle Clutch Lock Assembly - RH
22.	725-0157	Cable Tie
23.	712-04064	Flange Lock Nut, 1/4-20
24.	732-0193	Compression Spring
25.	790-00311A-0637	Shift Lever
26.	790-00248C-0637	Panel Bracket
27.	738-04125	Shoulder Screw
28.	684-04310A-0637	Chute Support Bracket
29.	946-04396A	Speed Selector Cable
30.	736-04446	Flat Washer, .25 x .630 x .0515
31.	710-0895	Hi-Lo Screw, 1/4-15 x .75
32.	710-04370	Hex Screw, 1/4-20 x 3.00
33.	731-04427A	Upper Chute
34.	618-04932A	Electric Chute Gearbox Assembly
35.	710-04187	Hi-Lo Screw, 1/4-15 x 0.5
36.	684-04404	Electric Chute Control Assembly

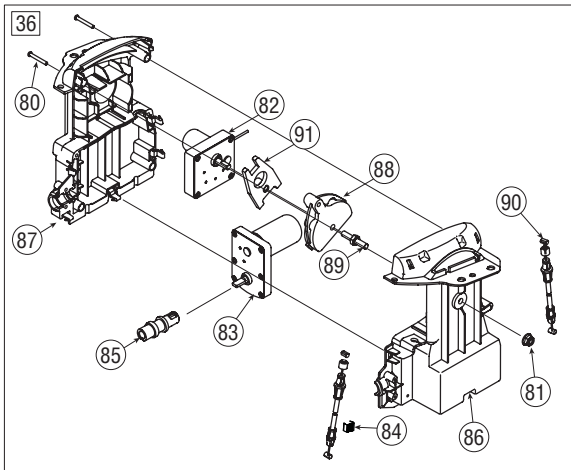
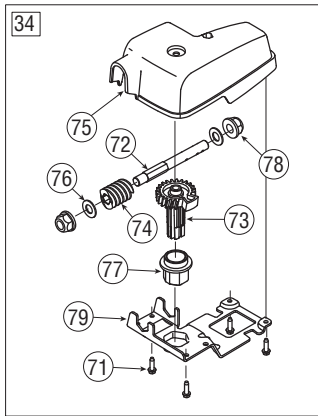
Ref. No.	Part No.	Description
37.	749-04191A-0691	Upper Handle LH
38.	710-04326	Screw, #8-16 x 0.50
39.	732-04219C	Clutch Lock Spring
40.	712-3087	Wing Nut, 1/4-20
41.	714-04040	Bow Tie Cotter Pin
42.	710-0262	Carriage Bolt, 5/16-18 x 1.50
43.	631-04133A	Handle Clutch Lock Assembly - LH
44.	684-04111B	Handle Engagement Assembly LH
45.	784-5594-0637	Cable Bracket
46.	920-0284	Wing Knob
47.	712-04063	Flange Lock Nut, 5/16-18
48.	731-06451	Chute Tilt Cable Guide
49.	711-04469A	Clevis Pin
50.	710-04484	Screw, 5/16-18 x 0.75
51.	749-04138A-0691	Lower Handle
52.	732-04238	Torsion Spring
53.	936-0267	Flat Washer
54.	710-04022	Screw, M8-1.25
55.	936-0264	Flat Washer, .330 x .630 x .0635
56.	914-0101	Cotter Pin
57.	936-0159	Flat Washer, .349 x .879 x .063
58.	731-06113	Steering Control
59.	738-04126	Pin, 3/16
60.	716-04036	E-Ring
61.	914-0145	Click Pin
62.	732-04677	Cable Guide
63.	747-05721	Chute Rod
64.	731-08947	Handle Panel Cover
65.	790-00503	Chute Bracket
66.	925-05239	LED Light Socket
67.	725-05463	Electric Chute Harness
68.	710-04329	Screw, .159 OD x .610
69.	710-0599	Screw (For ground wire)
70.	731-08876	Joystick Housing Cover
—	753-08018†	Chute Kit (Incl. Ref.# 10 & 33)

† Available for warranty coverage only. Contact a Sears authorized service provider for details.

Continued on next page

PARTS LIST

Craftsman Snow Thrower Model 247.883960



Ref. No.	Part No.	Description
71.	710-04373A	Screw, #12-16 x .75
72.	711-05752	Shaft, Worm Drive
73.	717-04973	Gear, Helical
74.	717-05019	Worm, 2-Start Nylon
75.	731-07529A	Cover, Gear, Chute Control
76.	936-0272	Wash., Flat, .510 x 1.00 x .060
77.	741-04388A	Bearing, Flange, 1.00 ID
78.	741-04453A	Bearing, Flange, .50 ID
79.	790-00342B-0637	Brkt., Gear, Chute Rotation
80.	710-04509	Scr., AB, #10-16 x 1.25
81.	712-04063	Nut, Flgk., 5/16-18
82.	724-04145	Motor, Pitch, Chute
83.	724-04146	Motor, Rotate, Chute
84.	731-07868	Clip, Cable
85.	731-08795	Coupler, Electric Chute
86.	731-08845	Hsg., LH, 4-Way, Chute Control
87.	731-08846	Hsg., RH, 4-Way, Chute Control
88.	731-1313C	Gde., Cbl., Chute Tilt
89.	938-0849	Scr., Hex, 5/16-18 x .75
90.	946-04528B	Cbl., Snow, 4-Way, Tall Chute
91.	748-04297	Adpt., Pitch, Chute

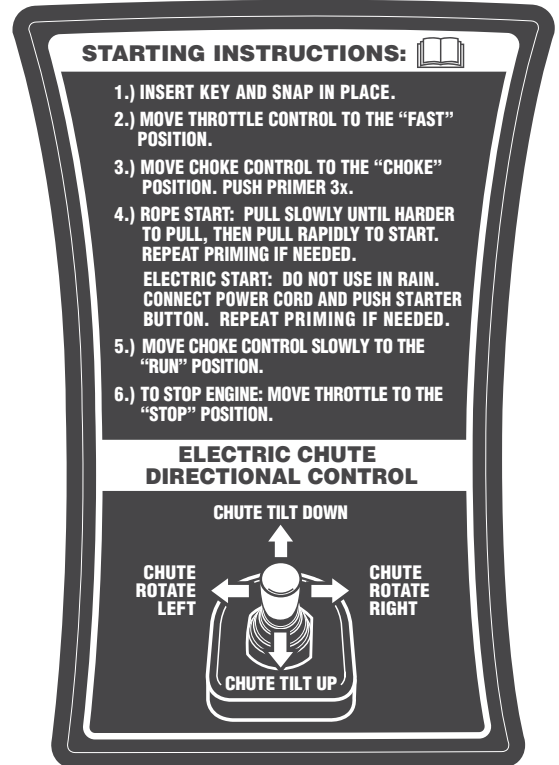
PARTS LIST

Craftsman Snow Thrower Model 247.883960

777S32636



777I25002



777S32236



777D16350



777D16340



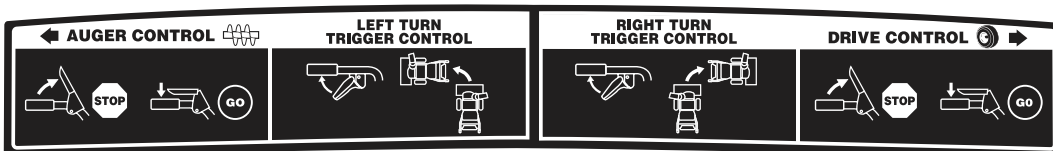
777I22363



777D16338



777I22340



777X43688



777D18036

