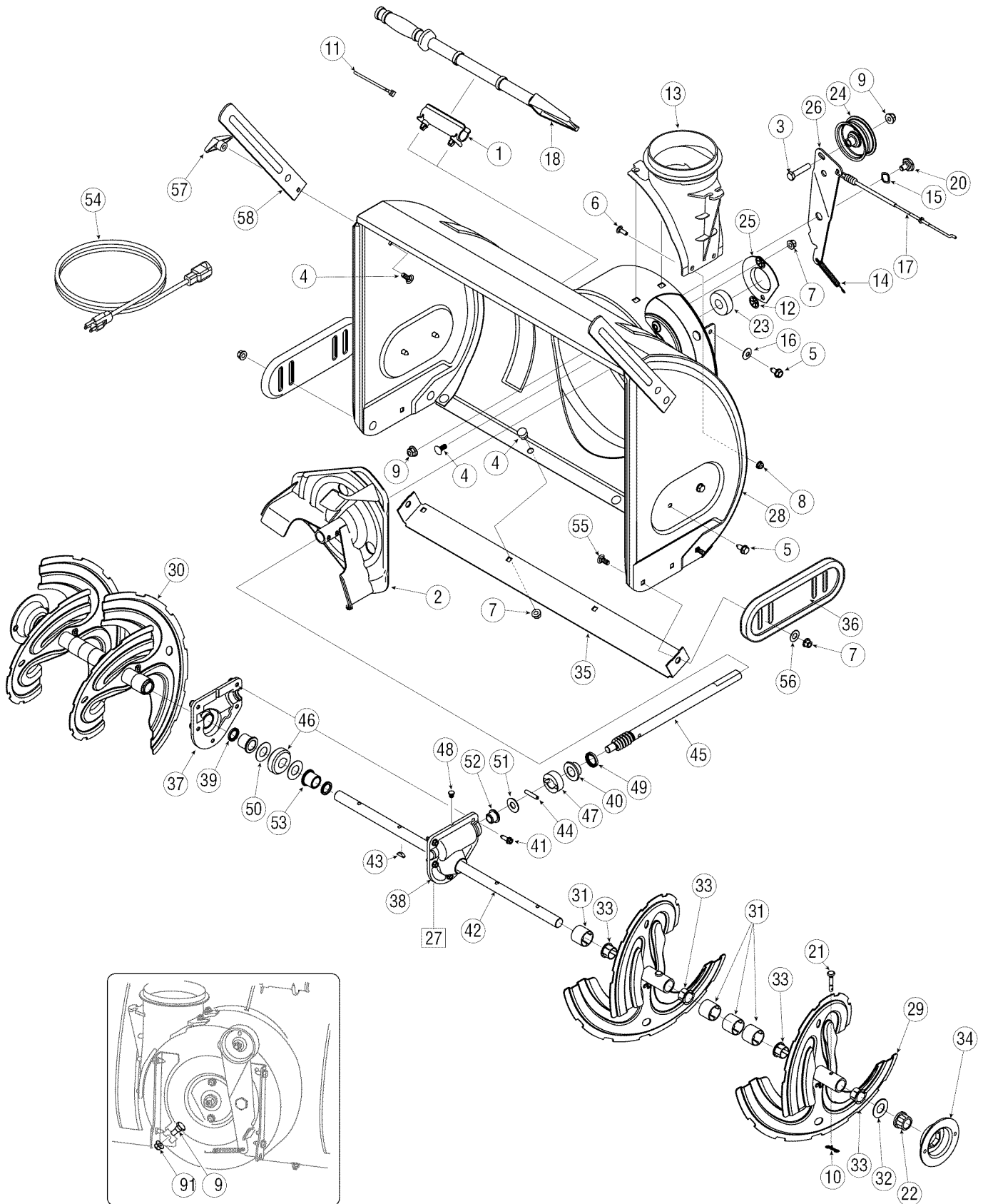


PARTS LIST

Craftsman Snow Thrower Model 247.883950



PARTS LIST

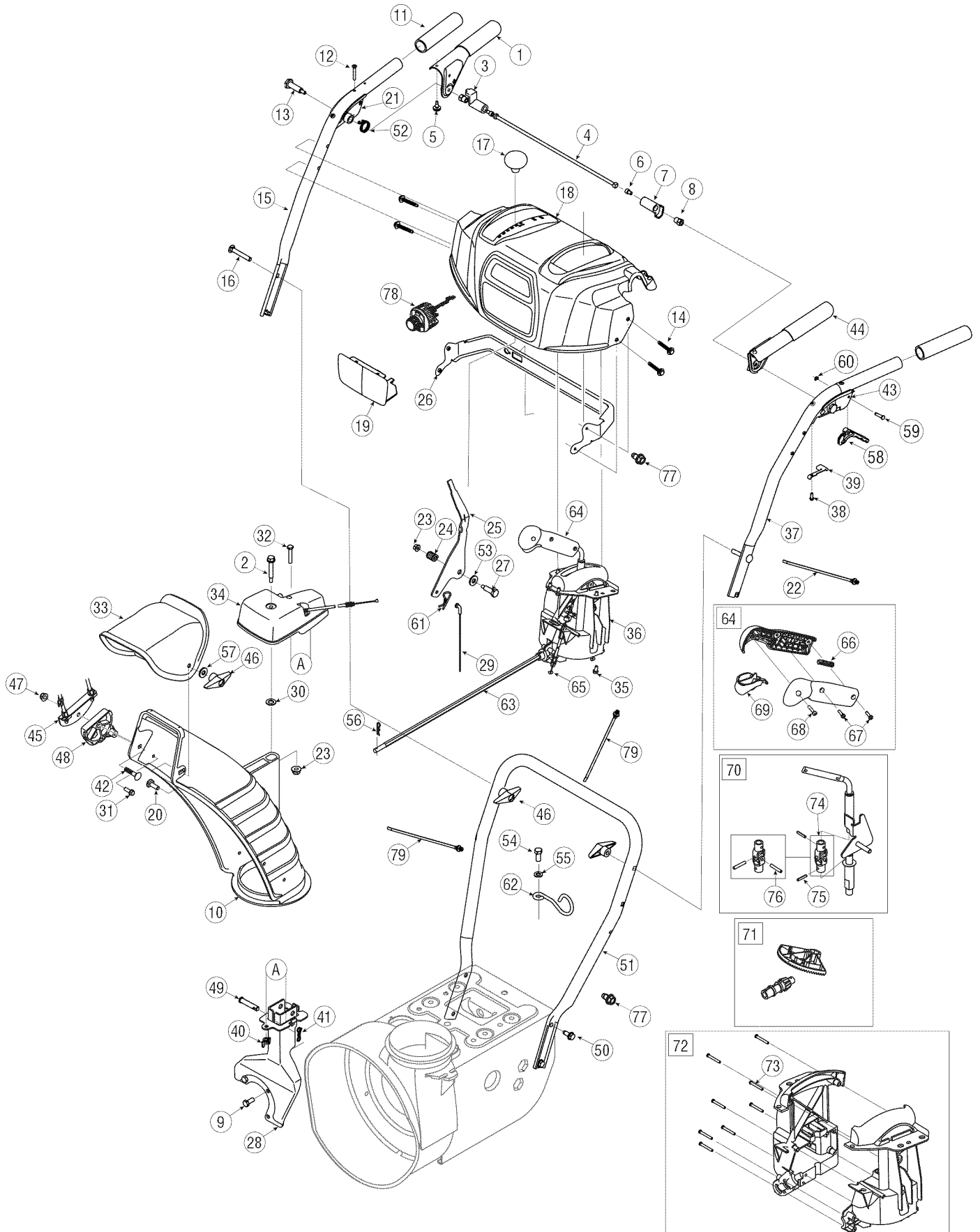
Craftsman Snow Thrower Model 247.883950

| Ref. No. | Part No. | Description |
|----------|-----------------|-------------------------------------|
| 1. | 731-2635 | Snow Removal Tool Mount |
| 2. | 684-04057A-0637 | Impeller Assembly, 12" Dia. |
| 3. | 710-0347 | Hex Screw, 3/8-16, 1.75, Gr5 |
| 4. | 710-0451 | Bolt, Carriage, 5/16-18, .750 Gr1 |
| 5. | 710-04484 | Screw, 5/16-18, 0.750 |
| 6. | 710-0703 | Screw, Carriage, 1/4-20, .750, Gr5 |
| 7. | 712-04063 | Nut, Flange Lock, 5/16-18, Nylon |
| 8. | 712-04064 | Nut, Flange Lock, 1/4-20, Nylon |
| 9. | 712-04065 | Nut, Flange Lock, 3/8-16, Nylon |
| 10. | 714-04040 | Cotter Pin, Bow-tie |
| 11. | 725-0157 | Cable, Tie, 3/16 x .05 x 7.4 |
| 12. | 926-04012 | Nut, Push-on, .25 Dia |
| 13. | 731-07525 | Chute, Adapter 5" Dia |
| 14. | 732-04460 | Spring, Extension, .38 OD x 4.59 |
| 15. | 736-0174 | Washer, Wave, .625 x .885 x .015 |
| 16. | 736-0242 | Washer, Bell, .340 x .872 x .060 |
| 17. | 946-04230A | Clutch Cable, Auger, 47.23" |
| 18. | 931-2643 | Snow Removal Tool |
| 19. | 738-0143 | Screw, Shoulder, .498 x .34, 3/8-16 |
| 20. | 938-0281 | Screw, Shoulder, .625 x .17, 3/8-16 |
| 21. | 738-04124A | Shear Pin, .25 x 1.50 |
| 22. | 941-0245 | Bearing, Hex Flange x .75 ID |
| 23. | 941-0309 | Bearing, Ball, .75 ID x 1.85 OD |
| 24. | 756-04224 | Flat Pulley, Idler, 2.75 OD |
| 25. | 790-00075 | Housing, Bearing, 1.85 ID |
| 26. | 790-00080B | Bracket, Auger Idler w/ Brake |
| 27. | 918-04173A | Gearbox Assembly, Auger, 28" |
| 28. | 684-04268-0691 | Housing Assembly, Auger 28" |
| 29. | 684-04107-4044 | Spiral Assembly, LH |

| Ref. No. | Part No. | Description |
|----------|-----------------|------------------------------------|
| 30. | 684-04108-4044 | Spiral Assembly, RH |
| 31. | 731-04870 | Spacer, 1.25 OD x .75 ID x 1.00 |
| 32. | 736-0188 | Washer, Flat, .76 x 1.49 x .06 |
| 33. | 741-0493A | Bushing, Flange, .80 ID x .91 OD |
| 34. | 790-00087A-0637 | Housing, 1" Hex Bearing |
| 35. | 790-00118-0691 | Shave Plate, 2.25 x 27.66 |
| 36. | 731-05984A | Slide Shoe |
| 37. | 918-0123A | Housing, Auger, RH Reduced |
| 38. | 918-0124A | Housing, Auger, LH Reduced |
| 39. | 921-0338 | Seal, Oil, .750 x 1.00 x .125 |
| 40. | 741-0662 | Bearing, Flange, .75 x 1.0 x .59 |
| 41. | 710-0642 | Screw, Self-tapping, 1/4-20, 0.750 |
| 42. | 711-04283 | Axle, Auger, 28" |
| 43. | 914-0161 | Key, Hi-pro 3/16 x 5/8 |
| 44. | 715-04021 | Pin, Dowel, .25 OD x 1.2 |
| 45. | 917-04126 | Shaft, Worm .75 OD |
| 46. | 917-04861 | Gear, Worm 20T |
| 47. | 718-04071 | Collar, Thrust |
| 48. | 721-0325 | Plug, 1/4 x .437 |
| 49. | 721-0327 | Seal, Oil, .75 x 1 x .131 |
| 50. | 936-0351 | Washer, Flat, .760 ID x 1.5 OD |
| 51. | 736-3084 | Washer, Flat, .51 x 1.12 |
| 52. | 741-0663 | Bearing, Flange, .75 x 1.0 x .925 |
| 53. | 741-0661A | Bearing, Flange, .75 x 1.00 x .975 |
| 54. | 929-0071A | Extension Cord, 110V |
| 55. | 710-0276 | Screw, Carriage, 5/16-18 x 1.00 |
| 56. | 936-0159 | Washer, Flat, .349 x .879 x .063 |
| 57. | 920-0284 | Wing Knob |
| 58. | 790-00181-0691 | Drift Cutter |

PARTS LIST

Craftsman Snow Thrower Model 247.883950



PARTS LIST

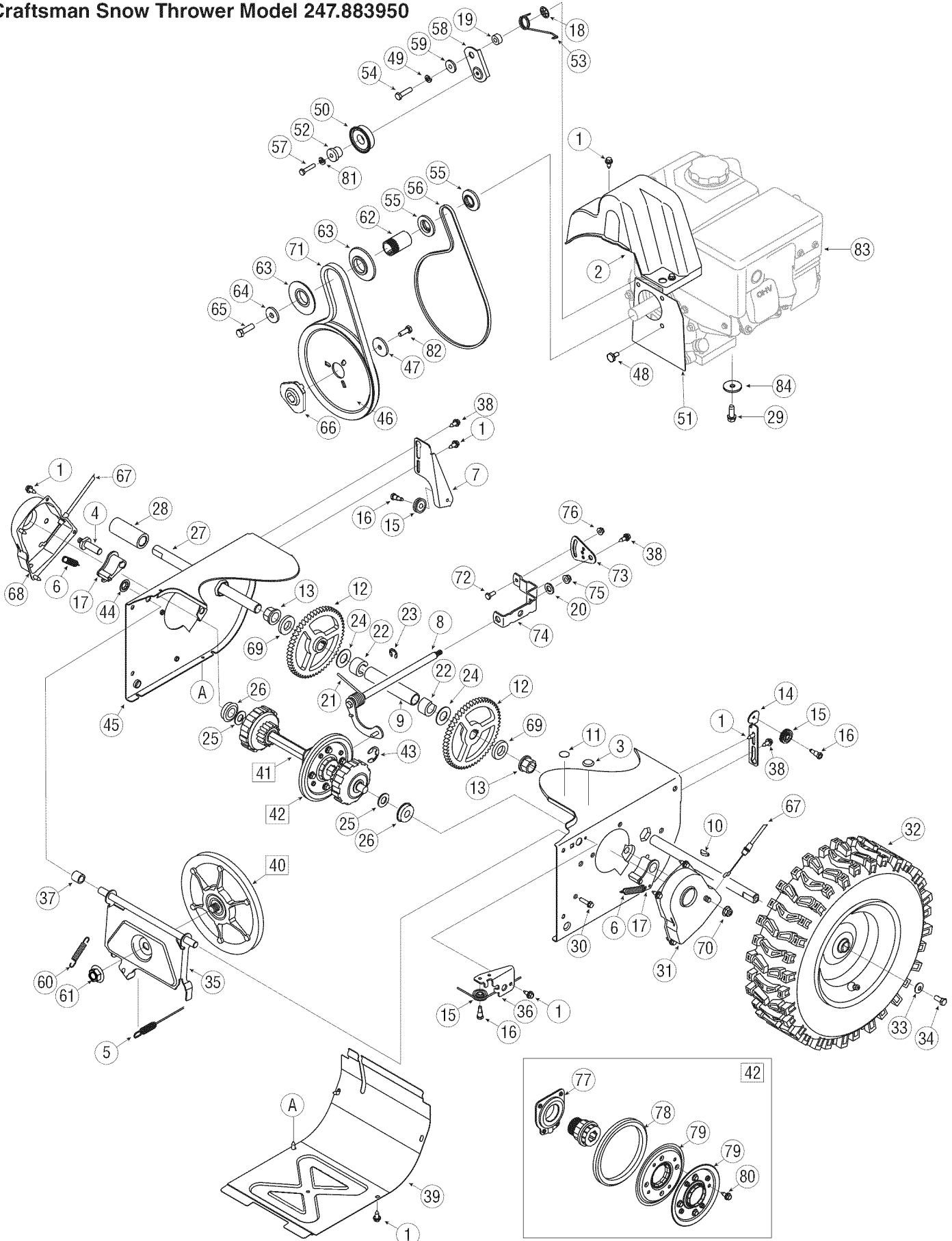
| Ref. No. | Part No. | Description |
|----------|-----------------|---------------------------------|
| 1. | 684-04112C | Handle Engagement Assembly RH |
| 2. | 738-04367 | Flange Shoulder Screw |
| 3. | 731-04894D | Lock Plate |
| 4. | 684-04250 | Pivot Rod |
| 5. | 935-0199A | Rubber Bumper |
| 6. | 710-3069 | Screw, 1/4-20 x .500 |
| 7. | 731-04896B | Clutch Lock Cam |
| 8. | 712-04081A | Shoulder Nut, 1/4-20 |
| 9. | 710-0627 | Hex Screw, 5/16-24 x .750 |
| 10. | 731-06440A | Lower Chute |
| 11. | 720-0274 | Handle Grip |
| 12. | 710-1233 | Screw, #10-24 x 0.375 |
| 13. | 738-04348 | Shoulder Screw, 1/4-20 |
| 14. | 710-04586 | Screw, 1/4-20 x 1.625 |
| 15. | 749-04190A-0637 | Upper Handle RH |
| 16. | 710-0572 | Carriage Screw, 5/16-18 x 2.25 |
| 17. | 720-04039 | Shift Knob |
| 18. | 753-06437 | Handle Panel |
| 19. | 731-05324 | Lens |
| 20. | 710-04071 | Carriage Bolt, 5/16-18 x 1.0 |
| 21. | 631-04134B | Handle Clutch Lock RH Assembly |
| 22. | 725-0157 | Cable Tie |
| 23. | 712-04064 | Flange Lock Nut, 1/4-20 |
| 24. | 732-0193 | Compression Spring |
| 25. | 790-00311A-0637 | Shift Lever |
| 26. | 790-00248C-0637 | Panel Bracket |
| 27. | 738-04125 | Shoulder Screw |
| 28. | 684-04310A-0637 | Chute Support Bracket |
| 29. | 946-04396A | Speed Selector Cable |
| 30. | 736-04446 | Flat Washer, .25 x .630 x .0515 |
| 31. | 710-0895 | Hi-Lo Screw, 1/4-15 x .75 |
| 32. | 710-04370 | Hex Screw, 1/4-20 x 3.00 |
| 33. | 731-04427A | Upper Chute |
| 34. | 918-04801A | 4-Way Chute Gearbox Assembly |
| 35. | 710-04187 | Hi-Lo Screw, 1/4-15 x 0.5 |
| 36. | 984-04338A | 4-Way Chute Control™ Assembly |
| 37. | 749-04191A-0637 | Upper Handle LH |
| 38. | 710-04326 | Screw, #8-16 x 0.50 |
| 39. | 732-04219C | Clutch Lock Spring |
| 40. | 712-3087 | Wing Nut, 1/4-20 |
| 41. | 714-04040 | Bow Tie Cotter Pin |

| Ref. No. | Part No. | Description |
|----------|-----------------|---------------------------------------|
| 42. | 710-0262 | Carriage Bolt, 5/16-18 x 1.50 |
| 43. | 631-04133A | Handle Clutch Lock LH Assembly |
| 44. | 684-04111B | Handle Engagement Assembly LH |
| 45. | 784-5594-0637 | Cable Bracket |
| 46. | 920-0284 | Wing Knob |
| 47. | 712-04063 | Flange Lock Nut, 5/16-18 |
| 48. | 731-06451 | Chute Tilt Cable Guide |
| 49. | 711-04469A | Clevis Pin |
| 50. | 710-04484 | Screw, 5/16-18 x 0.75 |
| 51. | 749-04138A-0637 | Lower Handle |
| 52. | 732-04238 | Torsion Spring |
| 53. | 936-0267 | Flat Washer |
| 54. | 710-04022 | Screw, M8-1.25 |
| 55. | 936-0264 | Flat Washer, .330 x .630 x .0635 |
| 56. | 914-0101 | Cotter Pin |
| 57. | 936-0159 | Flat Washer, .349 x .879 x .063 |
| 58. | 731-06113 | Steering Control |
| 59. | 738-04126 | Pin, 3/16 |
| 60. | 716-04036 | E-Ring |
| 61. | 914-0145 | Click Pin |
| 62. | 732-04677 | Cable Control Wire |
| 63. | 747-05116 | Chute Rod |
| 64. | 753-06151 | Handle Assembly |
| 65. | 946-04528A | 4-Way Cable |
| | 946-04477 | 4-Way Cable w/Clip (Not Shown) |
| 66. | 731-04893A | Handle Plunger |
| 67. | 710-04879 | Screw, Mach., #8-32 x .750 |
| 68. | 710-04353 | Screw, #8 x 1.00 |
| 69. | 731-07031 | Handle Lever |
| 70. | 984-04324A | Shift Assembly |
| 71. | 753-06152 | Gear Set Assembly |
| 72. | 753-06153 | Handle Housing Assembly |
| 73. | 710-1256 | Screw, #8-18 x 1.250 |
| 74. | 684-04350 | Joint Block Assembly |
| 75. | 715-04095 | Pin |
| 76. | 715-0150 | Roll Pin |
| 77. | 710-0599 | Scr., 1/4-20 x .500 (For Ground Wire) |
| 78. | 925-05239 | LED Headlight |
| 79. | 926-0154 | Cable Tie |
| — | 925-04137 | Light Harness (Not Shown) |
| — | 753-08018† | Chute Kit (Incl. Ref.# 5 & 36) |

† Available for warranty coverage only. Contact a Sears authorized service provider for details.

PARTS LIST

Craftsman Snow Thrower Model 247.883950



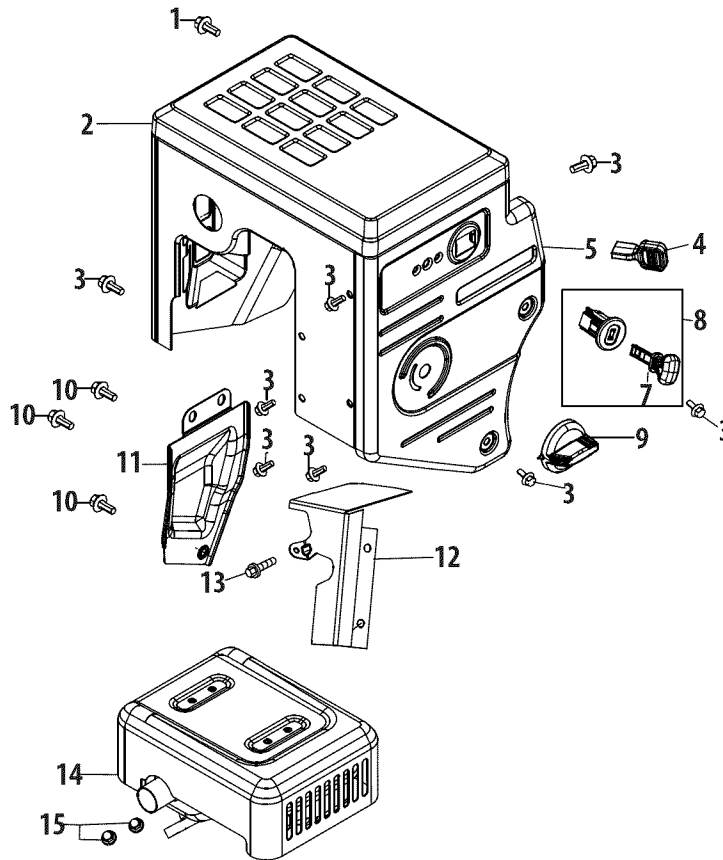
PARTS LIST

| Ref. No. | Part No. | Description |
|----------|-----------------|------------------------------------|
| 1. | 710-1652 | AB Screw, 1/4-20 x 0.625 |
| 2. | 731-06401 | Belt Cover |
| 3. | 735-04099 | Plug, 3/8 ID |
| 4. | 711-1268B | Actuator Shaft |
| 5. | 946-04229B | Drive Clutch Cable |
| 6. | 732-04345 | Extension Spring |
| 7. | 790-00207C | Drive Clutch Cable Guide Bracket |
| 8. | 684-04156A | Shift Rod Assembly |
| 9. | 750-04474 | Axle Support Tube |
| 10. | 914-0126 | Hi Pro Key |
| 11. | 735-04100 | Plug, 1/2 ID |
| 12. | 917-04210 | Gear, 56T |
| 13. | 941-0245 | Hex Flange Bearing |
| 14. | 790-00206A-0637 | Auger Clutch Cable Guide Bracket |
| 15. | 756-0625 | Cable Roller |
| 16. | 738-0924A | C Screw, 1/4-28 x 0.375 |
| 17. | 618-04288 | Dogg Assembly - LH |
| | 618-04287 | Dogg Assembly - RH |
| 18. | 926-04012 | Push-on Nut |
| 19. | 750-04477A | Spacer |
| 20. | 936-3015 | Washer, Flat |
| 21. | 732-04311A | Torsion Spring, .750 ID x .968 Lg. |
| 22. | 731-05297 | Spacer |
| 23. | 916-0104 | E Ring |
| 24. | 736-0188 | Flat Washer, .76 x 1.49 x .06 |
| 25. | 736-0626 | Flat Washer |
| 26. | 741-04076 | Ball Bearing |
| 27. | 938-04180 | Axle |
| 28. | 731-04873 | Spacer |
| 29. | 710-0654A | TT Sems Screw, 3/8-16 x 1.0 |
| 30. | 710-0788 | TT Screw, 1/4-20 x 1.0 |
| 31. | 790-00185-0691 | Shaft Retainer - LH |
| 32. | 634-04145-0911 | Wheel Complete - LH |
| | 634-04146-0911 | Wheel Complete - RH |
| 33. | 736-0242 | Bell Washer |
| 34. | 710-0627 | Hex Bolt, 5/16-24 x 0.75 |
| 35. | 684-04154B-0637 | Friction Wheel Support Brkt. Assy. |
| 36. | 790-00096-0637 | Auger Cable Guide Bracket |
| 37. | 748-0190 | Spacer |
| 38. | 738-04184A | Shoulder Screw |
| 39. | 790-00316-0637 | Frame Cover |
| 40. | 656-04055 | Friction Wheel Disc Assembly |
| 41. | 918-04322A | Drive Shaft Assembly |

| Ref. No. | Part No. | Description |
|----------|-----------------|----------------------------------|
| 42. | 684-04159 | Friction Wheel Assembly |
| 43. | 716-0136 | Retainer Ring |
| 44. | 726-0221 | Speed Nut |
| 45. | 790-00183B-0637 | Wheel Drive Frame |
| 46. | 756-04109 | Auger Pulley |
| 47. | 736-0505 | Flat Washer |
| 48. | 738-04439 | Shoulder Screw |
| 49. | 936-0119 | Lock Washer |
| 50. | 684-04169 | Idler Pulley Assembly |
| 51. | 790-00332-0637 | Plt., Cvr. |
| 52. | 750-04571 | Spacer |
| 53. | 732-04308B | Torsion Spring |
| 54. | 710-0672 | Hex Screw, 5/16-24 x 1.25 |
| 55. | 756-04252 | Pulley Half |
| 56. | 954-04201A | Belt, Wheel Drive |
| 57. | 710-0809 | TT Screw, 1/4-20 x 1.25 |
| 58. | 790-00208C | Drive Clutch Idler Bracket |
| 59. | 748-04112B | Shoulder Spacer |
| 60. | 932-0264 | Extension Spring |
| 61. | 712-0417A | Flange Nut, 5/8-18 |
| 62. | 750-04303 | Spacer |
| 63. | 756-04113 | Pulley Half |
| 64. | 736-0247 | Flat Washer |
| 65. | 710-0191 | Hex Bolt, 3/8-24 x 1.25 |
| 66. | 748-04053A | Pulley Adapter |
| 67. | 946-0956B | Steering Cable |
| 68. | 790-00186-0691 | Shaft Retainer - RH |
| 69. | 750-0767 | Axle Spacer |
| 70. | 712-04065 | Flange Lock Nut, 3/8-16 |
| 71. | 954-04195 | V-Belt, .500 x 37.00 Lg |
| 72. | 710-0751 | Hex Screw, 1/4-20 x .620 |
| 73. | 790-00217A-0637 | Speed Selector Pivot Bracket |
| 74. | 790-00218A-0637 | Speed Selector Shift Bracket |
| 75. | 712-04063 | Flange Lock Nut, 5/16-18 |
| 76. | 712-04064 | Flange Lock Nut, 1/4-20 |
| 77. | 618-0063A | Friction Wheel Bearing Assembly |
| 78. | 935-04054 | Friction Wheel |
| 79. | 790-00174 | Friction Plate |
| 80. | 710-0599 | Screw, 1/4-20 x .500 |
| 81. | 936-0329 | Lock Washer |
| 82. | 710-1245B | Hex Bolt, 5/16-24 x 0.875 |
| 83. | 952Z478-SUB | Replacement Engine |
| 84. | 736-0320 | Wash., Flat, .380 x 1.380 x .125 |

PARTS LIST

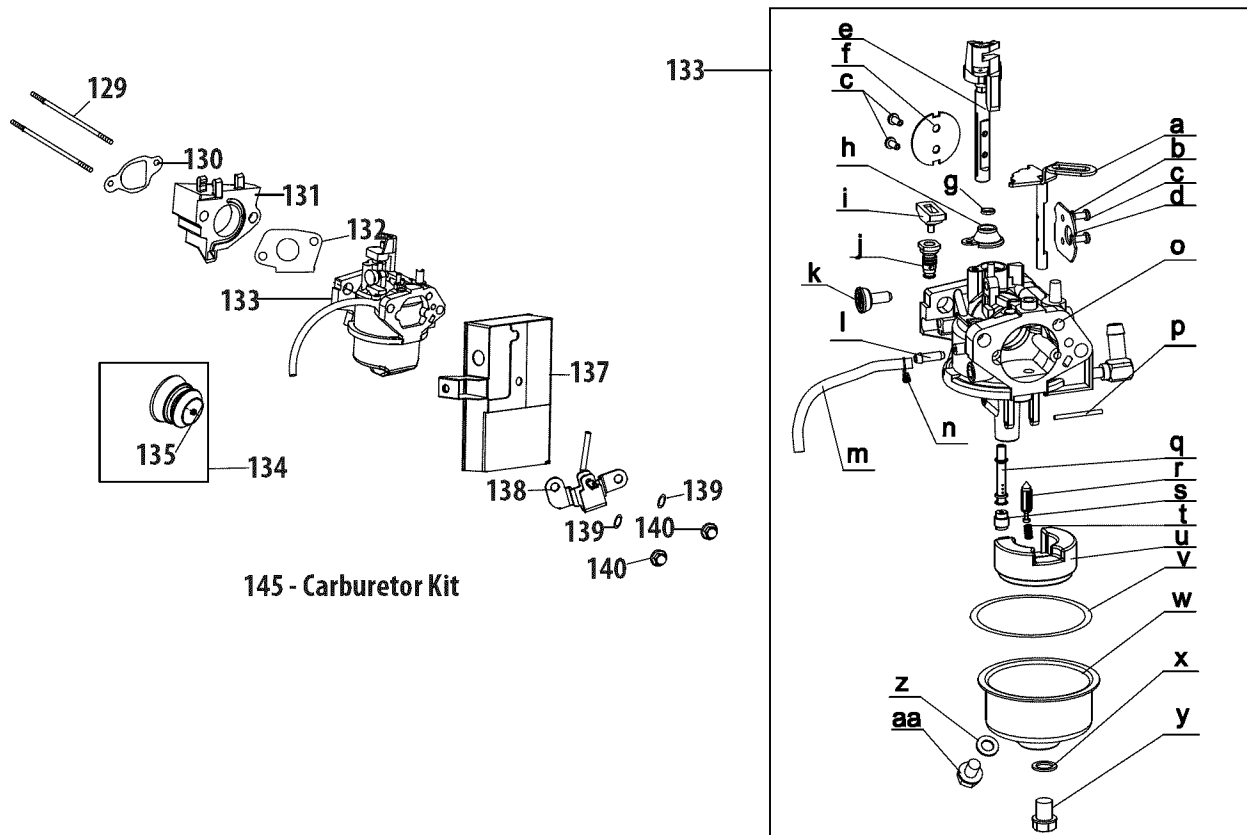
Craftsman Engine Model 478-SUB For Snow Model 247.883950



| Ref. | Part No. | Description |
|------|-----------|-----------------------|
| 1 | 710-04915 | Bolt, M6x12 |
| 2 | 951-11194 | Muffler Shield |
| 3 | 710-04915 | Bolt M6x12 |
| 4 | 951-10757 | Throttle Control Knob |
| 5 | 951-11594 | Control Panel |
| 7 | 731-05632 | Key |
| 8 | 951-10637 | Key Switch Assembly |
| 9 | 951-11302 | Choke Knob |
| 10 | 710-04914 | Bolt M6x10 |
| 11 | 951-11181 | Exhaust Pipe Shield |
| 12 | 951-11227 | Carb Isolator Bracket |
| 13 | 710-04968 | Bolt M6x16 |
| 14 | 951-11195 | Muffler Assembly |
| 15 | 712-05015 | Nut, M8 |

PARTS LIST

Craftsman Engine Model 478-SUB For Snow Model 247.883950



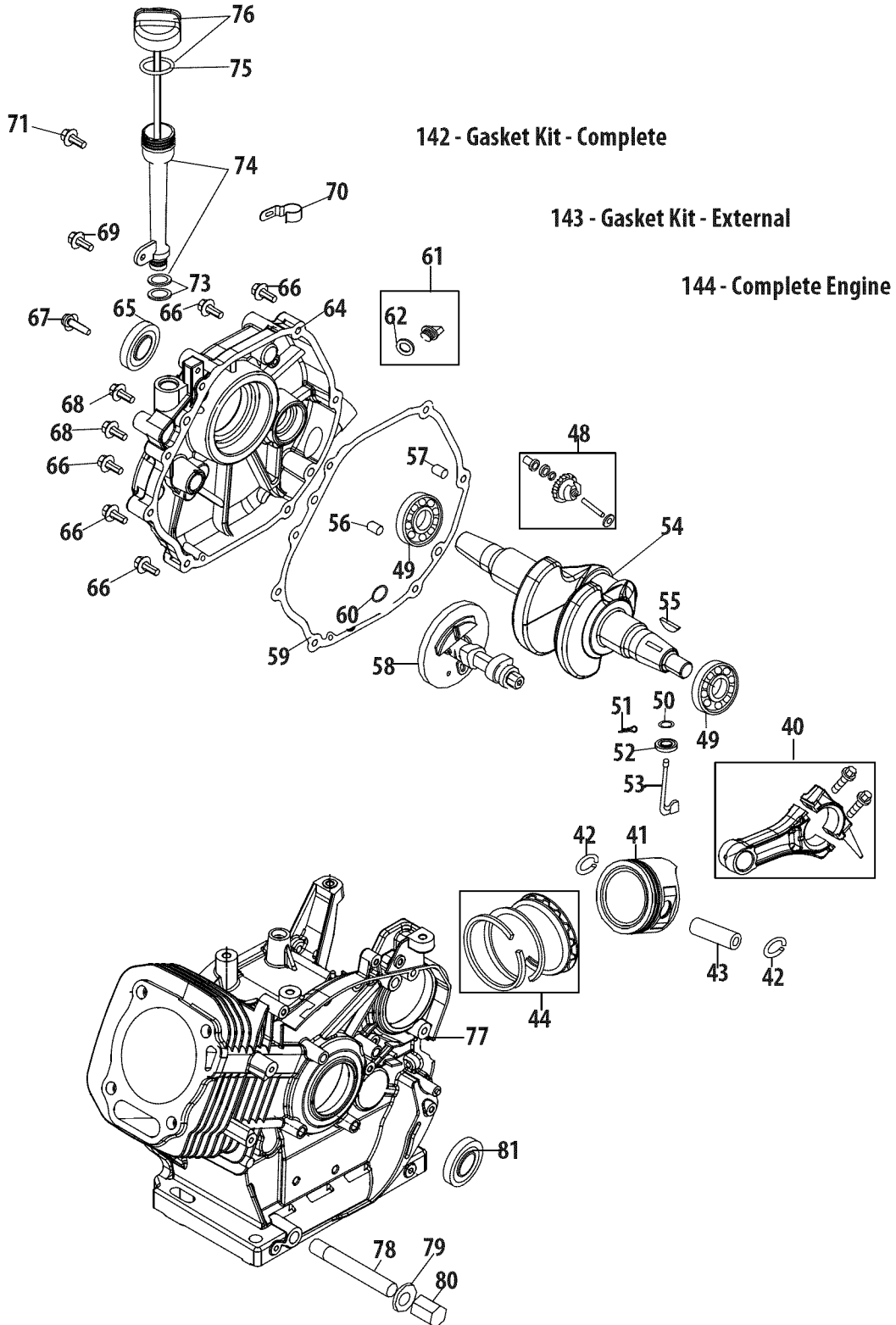
145 - Carburetor Kit

| Ref. | Part No. | Description |
|------|------------|---|
| 129 | 710-04963 | Stud M6-8x104 |
| 130 | 951-11225 | Carburetor Insulator Gasket |
| 131 | 951-11222 | Carburetor Insulator |
| 132 | 951-11223 | Carburetor Gasket |
| 133 | 951-14024A | Carburetor Assembly |
| 134 | 951-10639A | Primer Assembly |
| 135 | 951-11824 | Primer |
| 137 | 951-11190 | Heater Box |
| 138 | 951-11192 | Choke Control |
| 139 | 736-04477 | Lock Washer |
| 140 | 712-05015 | Nut M6 |
| 145 | 951-12762A | Carburetor Kit (Incl. i,j,p,q,r,s,t,u,v,x,z) |
| a | n/a | Choke Shaft |
| b | 736-04638 | Lock Washer |
| c | 710-05469 | Screw M3x6 |
| d | n/a | Choke Plate |
| e | n/a | Throttle Shaft |
| f | n/a | Throttle Plate |
| g | n/a | Gasket |

| Ref. | Part No. | Description |
|------|-----------|----------------------------|
| h | n/a | Throttle Shaft Cover |
| i | n/a | Idle Jet Rivet |
| j | n/a | Idle Jet Assembly |
| k | n/a | Idle Speed Adjusting Screw |
| l | n/a | Primer Pipe |
| m | 751-11991 | Primer Hose |
| n | 951-11906 | Hose Clamp |
| o | n/a | Carburetor Body |
| p | n/a | Float Pin |
| q | n/a | Emulsion Tube |
| r | n/a | Needle Valve |
| s | n/a | Main Jet |
| t | n/a | Needle Valve Spring |
| u | n/a | Float |
| v | 951-11970 | Fuel Bowl Gasket |
| w | n/a | Fuel Bowl |
| x | 951-11348 | Fuel Bowl Gasket |
| y | 710-04945 | Fuel Bowl Mounting Bolt |
| z | 951-11349 | Fuel Drain Plug Gasket |
| aa | 710-04938 | Fuel Drain Plug |

PARTS LIST

Craftsman Engine Model 478-SUB For Snow Model 247.883950



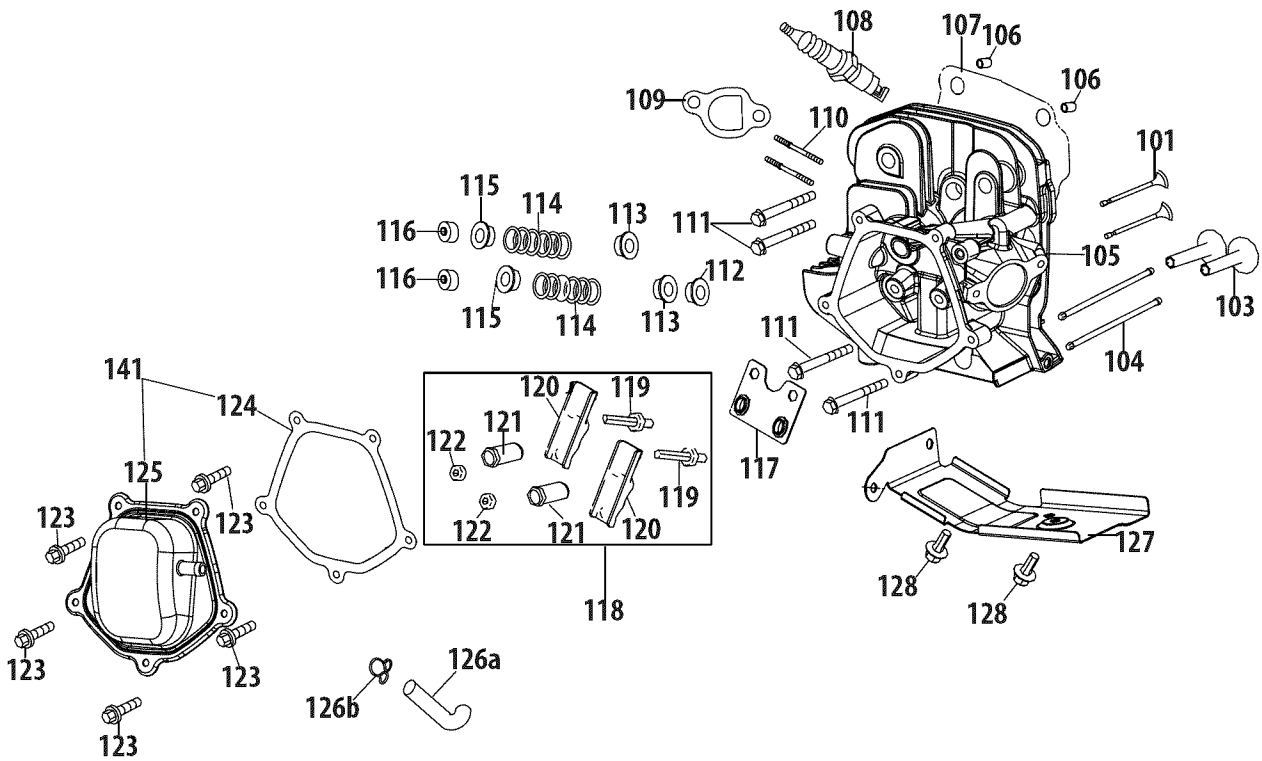
PARTS LIST

Craftsman Engine Model 478-SUB For Snow Model 247.883950

| Ref. | Part No. | Description | Ref. | Part No. | Description |
|------|-----------|---|------|-------------|---|
| 40 | 951-12066 | Connecting Rod Assembly | 66 | 710-04971 | Bolt M8x38 |
| 41 | 951-12043 | Piston | 67 | 710-04972 | Bolt M8x45 |
| 42 | 951-11632 | Piston Pin Snap Ring | 68 | 710-05052 | Bolt M8x35 |
| 43 | 951-12044 | Piston Pin | 69 | 710-04968 | Bolt M6x16 |
| 44 | 951-12387 | Piston Ring Set | 70 | 951-11320 | Dipstick Clamp |
| 48 | 751-12068 | Governor Gear/Shaft Assembly | 71 | 710-05349 | Bolt M6x8 |
| 49 | 951-12069 | Radial Ball Bearing | 73 | 951-11904 | Oil Fill Tube O-Ring |
| 50 | 736-04453 | Washer 8x20x0.8 | 74 | 951-12073 | Oil Fill Tube Assembly |
| 51 | 714-04077 | Cotter Pin | 75 | 951-11381 | Dipstick O-Ring |
| 52 | 951-11958 | Governor Seal | 76 | 951-11971A | Dipstick Assembly |
| 53 | 951-12071 | Governor Arm Shaft | 77 | 951-11230 | Crankcase Kit |
| 54 | 951-11229 | Crankshaft Kit (Incl. 49,54,55,65,81) | | 951-11187 | Short Block Assembly (Incl. 40-44,48-68,77-81,103, 106,107,109,111,124,130-132) |
| 55 | 951-10307 | Woodruff Key | 78 | 951-11350 | Oil Drain Pipe |
| 56 | 715-04102 | Dowel Pin 9x12 | 79 | 736-04440 | Washer 10x16x1.5 |
| 57 | 715-04092 | Dowel Pin 7x14 | 80 | 710-04906 | Oil Drain Plug |
| 58 | 951-12072 | Camshaft Assembly | 81 | 751-11498 | Oil Seal 30x46x8 |
| 59 | 951-11374 | Crankcase Cover Gasket | 142 | 951-11209 | Gasket Kit - Complete (Incl. 52,59,65,79,81,107, 109,124,130-132) |
| 60 | 736-04545 | Washer 16x24x0.5 | 143 | 951-11210 | Gasket Kit - External (Incl. 79,109,124,130-132) |
| 61 | 951-11283 | Oil Fill Plug Assembly | 144 | 952Z478-SUB | Complete Engine |
| 62 | 951-11577 | O-Ring | | | |
| 64 | 951-12395 | Crankcase Cover | | | |
| 64 | 951-11228 | Crankcase Cover Kit (Incl. 49,59,50,64-68) | | | |
| 65 | 951-11372 | Oil Seal, 30x46x8 | | | |

PARTS LIST

Craftsman Engine Model 478-SUB For Snow Model 247.883950



142 - Gasket Kit - Complete

143 - Gasket Kit - External

144 - Complete Engine

PARTS LIST

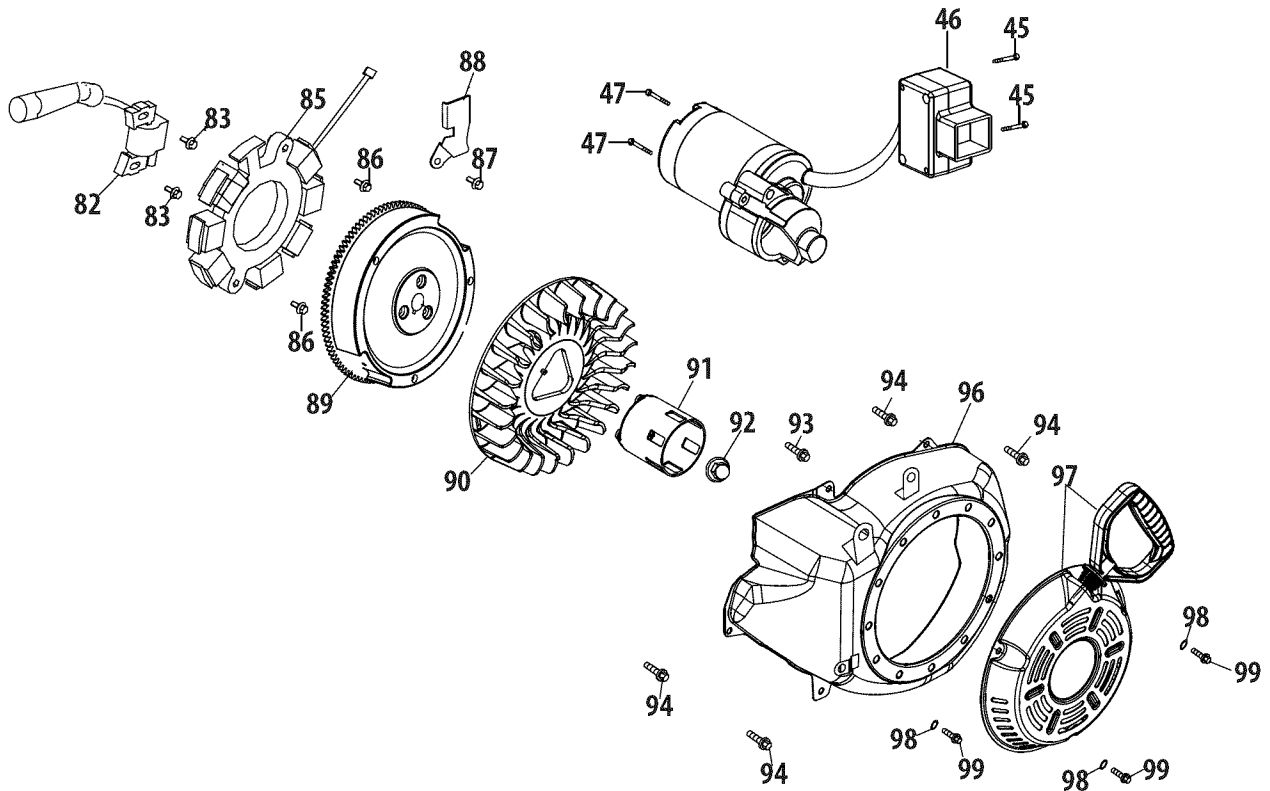
Craftsman Engine Model 478-SUB For Snow Model 247.883950

| Ref. | Part No. | Description |
|------|-----------|--|
| 101 | 951-11198 | Valve Kit |
| 103 | 951-11962 | Tappet |
| 104 | 951-11199 | Push Rod Kit |
| 105 | 951-11226 | Cylinder Head Kit (Incl.107,111,112,125) |
| | 951-11188 | Cylinder Head Assembly (Incl.101,102,105,107, 109-122,124,129-132) |
| 106 | 715-04097 | Dowel Pin 12x20 |
| 107 | 951-12076 | Gasket, Cylinder Head |
| 108 | 951-10292 | Spark Plug/F6Rtc |
| 109 | 951-11212 | Exhaust Pipe Gasket |
| 110 | 710-04964 | Stud M8x48.5 |
| 110 | 951-11207 | Muffler Stud Assembly |
| 111 | 710-04965 | Bolt M10x1.25x80 |
| 112 | 951-11964 | Valve Seal (Intake) |
| 113 | 951-12077 | Valve Spring Retainer(Intake) |
| 114 | 951-12078 | Valve Spring |
| 115 | 951-12080 | Valve Spring Retainer |
| 116 | 951-12081 | Exhaust Lash Cap |

| Ref. | Part No. | Description |
|------|-------------|---|
| 117 | 951-11965 | Push Rod Guide |
| 118 | 951-11981 | Rocker Arm Assembly |
| 119 | 710-04962 | Bolt, Pivot |
| 120 | 951-11966 | Rocker Arm |
| 121 | 751-11123 | Adjusting Nut ,Valve |
| 122 | 751-11124 | Nut, Pivot Locking |
| 123 | 710-05054 | Valve Cover Bolt |
| 124 | 951-11967 | Valve Cover Gasket |
| 125 | 951-11220 | Valve Cover |
| 126a | 731-07059 | Breather Hose |
| 126b | 726-04101 | Breather Hose Clamp |
| 127 | 951-11180 | Air Shield |
| 128 | 710-04915 | Bolt M6x12 |
| 141 | 951-11333 | Valve Cover Kit |
| 142 | 951-11209 | Gasket Kit - Complete (Incl. 52,59,65,79,81,107, 109,124,130-132) |
| 143 | 951-11210 | Gasket Kit - External (Incl. 79,109,124,130-132) |
| 144 | 952Z478-SUB | Complete Engine |

PARTS LIST

Craftsman Engine Model 478-SUB For Snow Model 247.883950

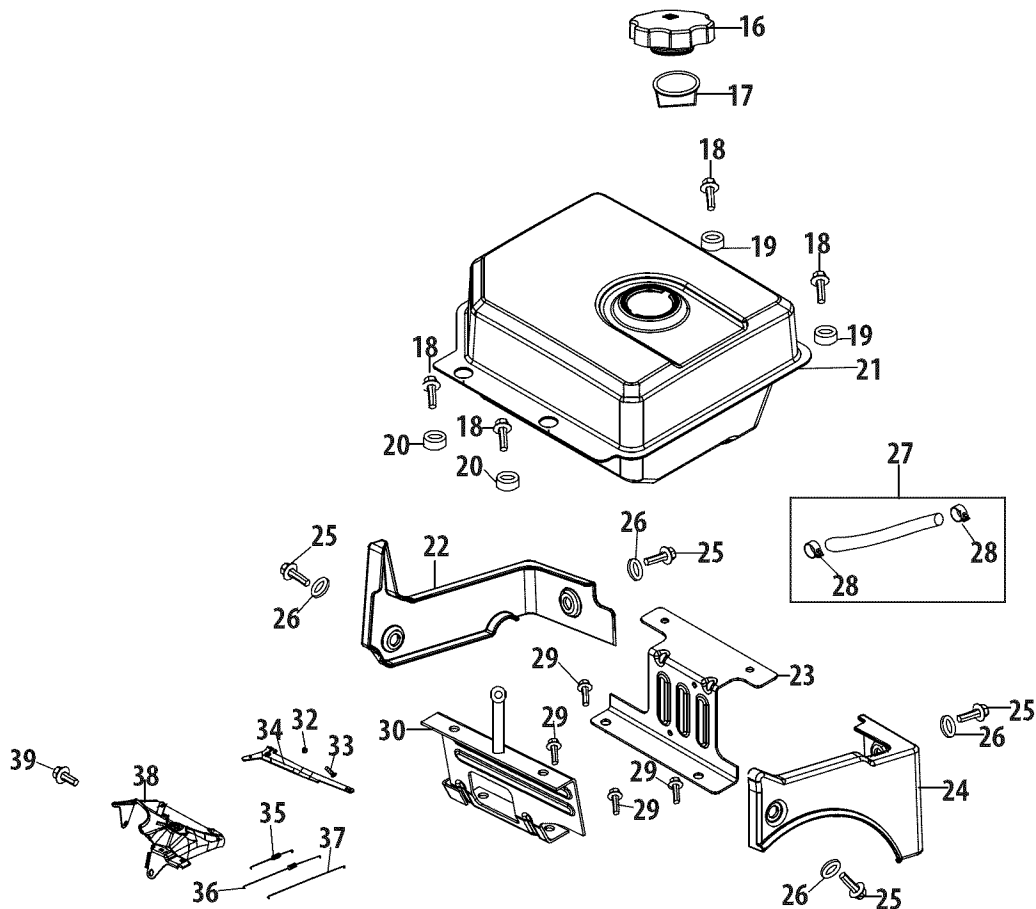


| Ref. | Part No. | Description |
|------|-----------|------------------------|
| 45 | 710-04965 | Bolt M4x55 |
| 46 | 951-11196 | Electric Starter |
| 47 | 710-04967 | Bolt M8x55 |
| 82 | 951-11498 | Ignition Coil Assembly |
| 83 | 951-11197 | Ignition Coil Bolt |
| 85 | 951-12553 | Alternator Assembly |
| 86 | 710-04969 | Bolt M6x30 |
| 87 | 710-04966 | Bolt M6x8 |
| 88 | 951-11186 | Wire Plate |
| 89 | 951-12090 | Flywheel |

| Ref. | Part No. | Description |
|------|-----------|-----------------------|
| 90 | 951-11217 | Cooling Fan |
| 91 | 951-11218 | Starter Cup |
| 92 | 712-04220 | Nut, Special, M16x1.5 |
| 93 | 710-04968 | Bolt M6x16 |
| 94 | 710-04915 | Bolt M6x12 |
| 96 | 951-11379 | Blower Housing |
| 97 | 951-11208 | Recoil Starter |
| 98 | 736-04455 | Gasket 6 |
| 99 | 710-04974 | Bolt M6x10 |

PARTS LIST

Craftsman Engine Model 478-SUB For Snow Model 247.883950



| Ref. | Part No. | Description |
|------|-----------|-----------------------------|
| 16 | 951-12533 | Fuel Cap Assembly |
| 17 | 951-11933 | Fuel Level Indicator |
| 18 | 710-04970 | Bolt M8x20 |
| 19 | 750-05312 | Bushing |
| 20 | 750-05313 | Bushing |
| 21 | 951-11201 | Fuel Tank Assembly |
| 22 | 951-11184 | Governor Cover |
| 23 | 951-11183 | Rear Mainting Bracket Assy. |
| 24 | 951-12385 | Decorate Cover |
| 25 | 710-04968 | Bolt M6x16 |
| 26 | 736-04452 | Bush |
| 27 | 951-11200 | Fuel Line Kit |

| Ref. | Part No. | Description |
|------|-----------|--------------------------|
| 28 | 951-11700 | Fuel Hose Clamp |
| 29 | 710-04921 | Bolt M8x14 |
| 30 | 951-11182 | Gas Tank Support Bracket |
| 32 | 712-04212 | Nut M6 |
| 33 | 710-04908 | Governor Arm Bolt |
| 34 | 951-11231 | Governor Arm |
| 35 | 951-11202 | Governor Spring |
| 36 | 951-11203 | Throttle Linkage Spring |
| 37 | 951-11204 | Throttle Linkage |
| 38 | 951-11213 | Primer Bracket |
| 39 | 710-04915 | Bolt, M6x12 |

PARTS LIST

Craftsman Snow Thrower Model 247.883950

777S32636

CLEAN-OUT TOOL

5. READ OPERATOR'S MANUAL.

4. TO AVOID THROWN OBJECTS INJURIES, NEVER DIRECT DISCHARGE AT BYSTANDERS, USE EXTRA CAUTION WHEN OPERATING ON GRAVEL SURFACES.

3. DISENGAGE CLUTCH LEVERS, STOP ENGINE, AND REMAIN BEHIND UNCLELOGGING OR SERVICING MACHINE.

2. USE CLEAN-OUT TOOL TO UNCLELOG DISCHARGE CHUTE.

1. KEEP AWAY FROM ROTATING IMPELLER HANDS AND FEET.

▲ DANGER

▲ DANGER



AVOID INJURY FROM ROTATING AUGER - KEEP HANDS, FEET AND CLOTHING AWAY.

777S32236

▲ DANGER



- NEVER PUT HAND IN CHUTE. CONTACT WITH ROTATING PARTS CAN AMPUTATE FINGERS AND HANDS.
- SHUT OFF ENGINE AND WAIT UNTIL ALL MOVING PARTS HAVE STOPPED BEFORE UNCLOGGING.
- USE CLEAN-OUT TOOL OR WOODEN STICK TO UNCLOG DISCHARGE CHUTE.

777I22339

CHUTE DIRECTIONAL CONTROL

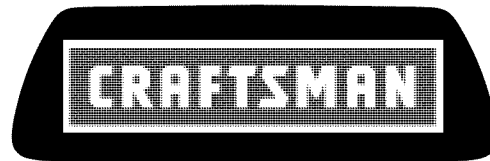


STARTING INSTRUCTIONS:

1. INSERT IGNITION KEY AND SNAP IN PLACE.
2. SET CHOKE AND THROTTLE TO FULL (ON) POSITION. PUSH PRIMER BUTTON 3x.
3. ROPE START: PULL SLOWLY UNTIL HARDER TO PULL, THEN PULL RAPIDLY TO START. REPEAT PRIMING IF NEEDED.
ELECTRIC START: DO NOT USE IN RAIN. CONNECT POWER CORD AND PUSH STARTER BUTTON. REPEAT PRIMING IF NEEDED.
4. MOVE CHOKE SLOWLY TO OFF POSITION.
5. TO STOP ENGINE: MOVE THROTTLE TO STOP POSITION.

I22339 AC

777D16338



777D18040



777I22363



777D16340




777X43688




777I22340


← AUGER CONTROL




LEFT TURN TRIGGER CONTROL



RIGHT TURN TRIGGER CONTROL



DRIVE CONTROL →



777D18035




CLEARING WIDTH **28"**

ELECTRIC START