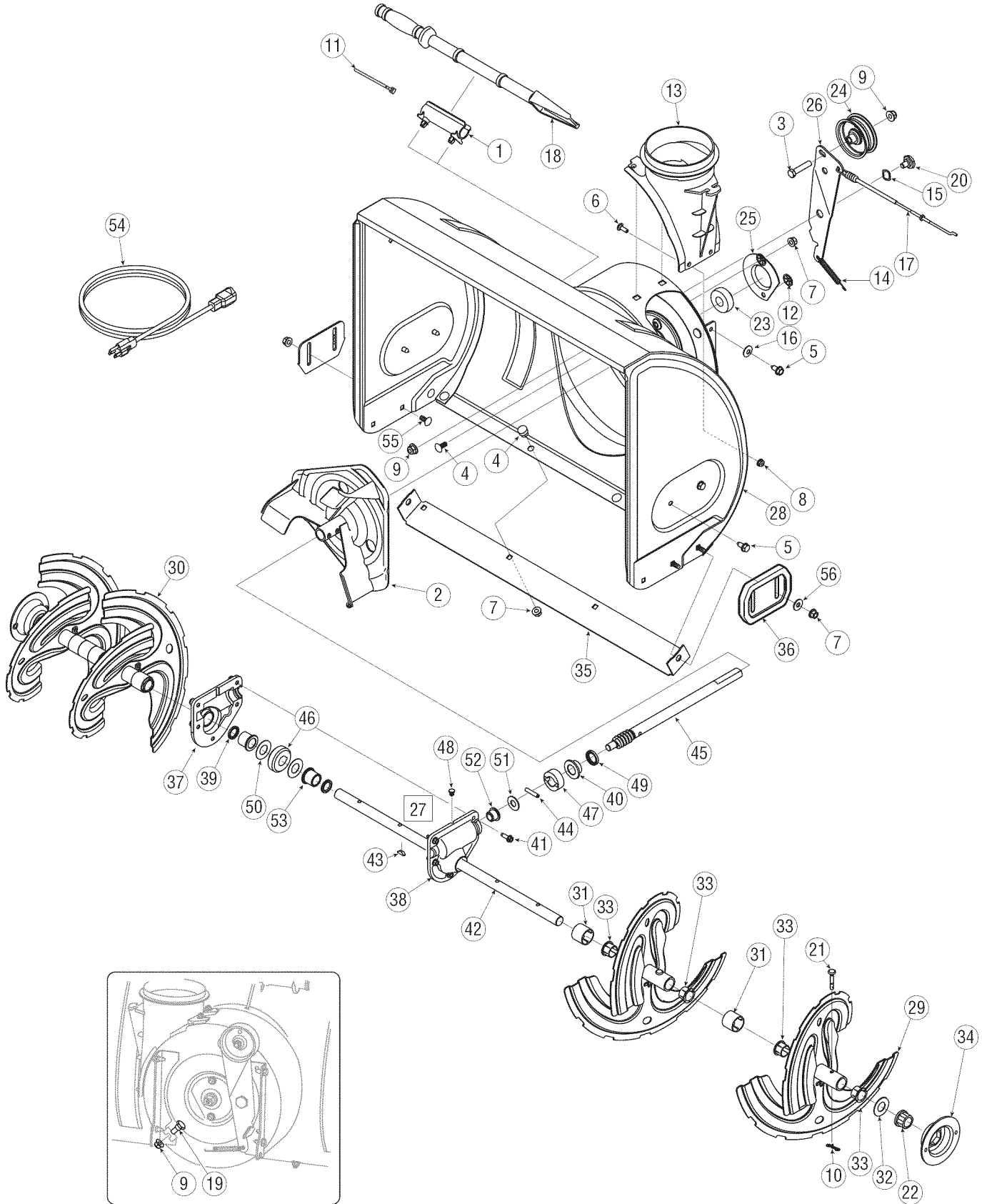


PARTS LIST

Craftsman Snow Thrower Model 247.881730



PARTS LIST

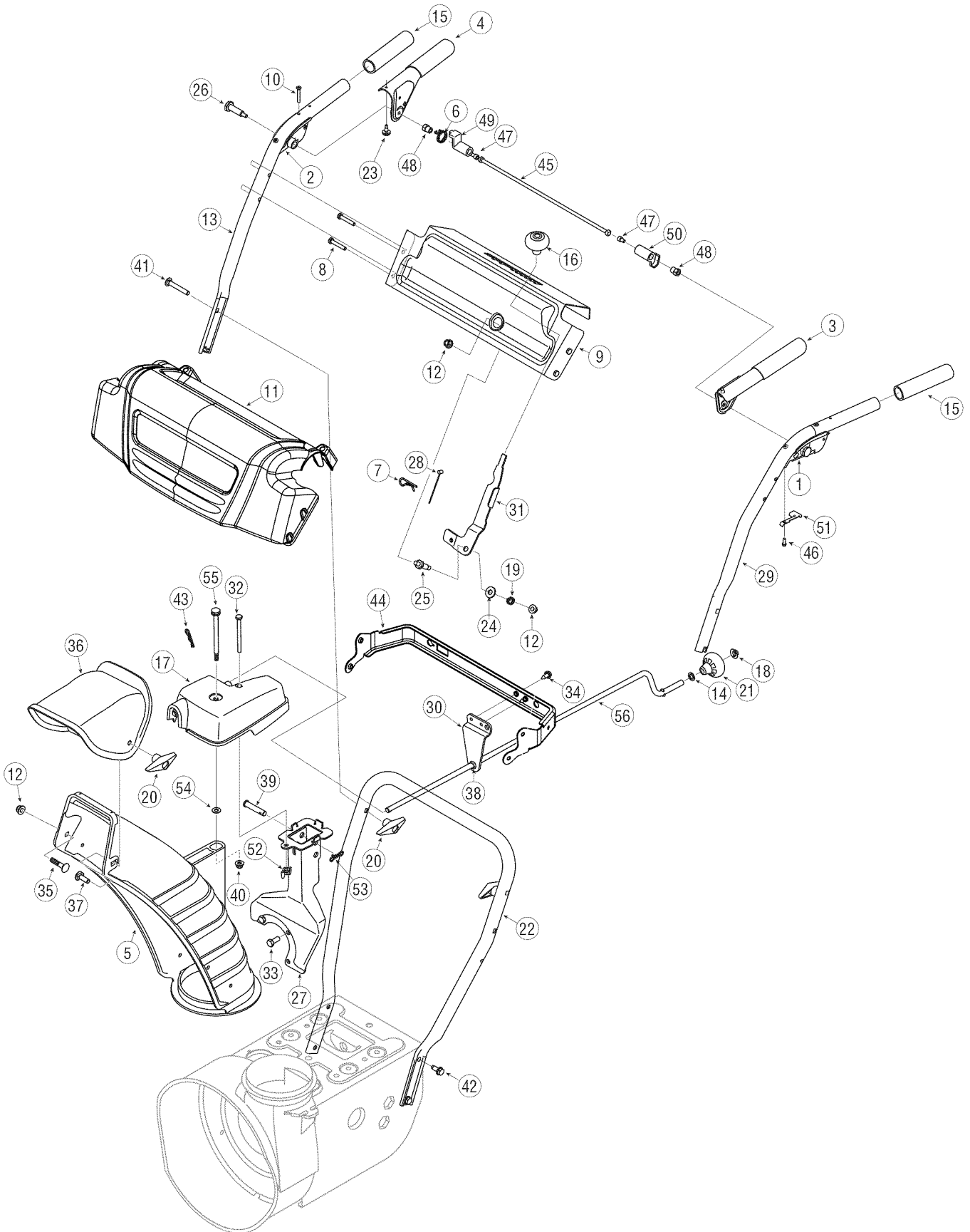
Craftsman Snow Thrower Model 247.881730

Ref. No.	Part No.	Description
1.	731-2635	Snow Removal Tool Mount
2.	684-04057A-0637	Impeller Assembly, 12" Dia.
3.	710-0347	Hex Screw, 3/8-16, 1.75, Gr5
4.	710-0451	Bolt, Carriage, 5/16-18, .750 Gr1
5.	710-04484	Screw, 5/16-18, 0.750
6.	710-0703	Screw, Carriage, 1/4-20, .750, Gr5
7.	712-04063	Nut, Flange Lock, 5/16-18, Nylon
8.	712-04064	Nut, Flange Lock, 1/4-20, Nylon
9.	712-04065	Nut, Flange Lock, 3/8-16, Nylon
10.	714-04040	Cotter Pin, Bow-tie
11.	725-0157	Cable, Tie, 3/16 x .05 x 7.4
12.	926-04012	Nut, Push-on, .25 Dia
13.	731-07525	Chute, Adapter 5" Dia
14.	732-04460	Spring, Extension, .38 OD x 4.59
15.	736-0174	Washer, Wave, .625 x .885 x .015
16.	736-0242	Washer, Bell, .340 x .872 x .060
17.	946-04230A	Clutch Cable, Auger, 47.23"
18.	931-2643	Snow Removal Tool
19.	738-0143	Screw, Shoulder, .498 x .34, 3/8-16
20.	938-0281	Screw, Shoulder, .625 x .17, 3/8-16
21.	738-04124A	Shear Pin, .25 x 1.50
22.	941-0245	Bearing, Hex Flange x .75 ID
23.	941-0309	Bearing, Ball, .75 ID x 1.85 OD
24.	756-04224	Flat Pulley, Idler, 2.75 OD
25.	790-00075	Housing, Bearing, 1.85 ID
26.	790-00080B	Bracket, Auger Idler w/ Brake
27.	918-04171B	Gearbox Assembly, Auger, 24"
28.	684-04265-4044	Housing Assembly, Auger 24"

Ref. No.	Part No.	Description
29.	684-04107-0637	Spiral Assembly, LH
30.	684-04108-0637	Spiral Assembly, RH
31.	731-04870	Spacer, 1.25 OD x .75 ID x 1.00
32.	736-0188	Washer, Flat, .76 x 1.49 x .06
33.	741-0493A	Bushing, Flange, .80 ID x .91 OD
34.	790-00087A-0637	Housing, 1" Hex Bearing
35.	790-00120-4044	Shave Plate, 2.25 x 23.66
36.	731-06439	Slide Shoe
37.	918-0123A	Housing, Gearbox, RH
38.	918-0124A	Housing, Gearbox, LH
39.	921-0338	Seal, Oil, .750 x 1.00 x .125
40.	741-0662	Bearing, Flange, .75 x 1.0 x .59
41.	710-0642	Screw, Self-tapping, 1/4-20, 0.750
42.	711-04285	Axle, Auger, 24"
43.	914-0161	Key, Hi-pro 3/16 x 5/8
44.	715-04021	Pin, Dowel, .25 OD x 1.2
45.	917-04126	Shaft, Worm .75 OD
46.	917-04861	Gear, Worm 20T
47.	718-04071	Collar, Thrust
48.	721-0325	Plug, 1/4 x .437
49.	721-0327	Seal, Oil, .75 x 1 x .131
50.	936-0351	Washer, Flat, .760 ID x 1.5 OD
51.	736-3084	Washer, Flat, .51 x 1.12
52.	741-0663	Bearing, Flange, .75 x 1.0 x .925
53.	741-0661A	Bearing, Flange, .75 x 1.00 x .975
54.	929-0071A	Extension Cord, 110V
55.	710-0276	Screw, Carriage, 5/16-18 x 1.00
56.	936-0159	Washer, Flat, .349 x .879 x .063

PARTS LIST

Craftsman Snow Thrower Model 247.881730



PARTS LIST

Craftsman Snow Thrower Model 247.881730

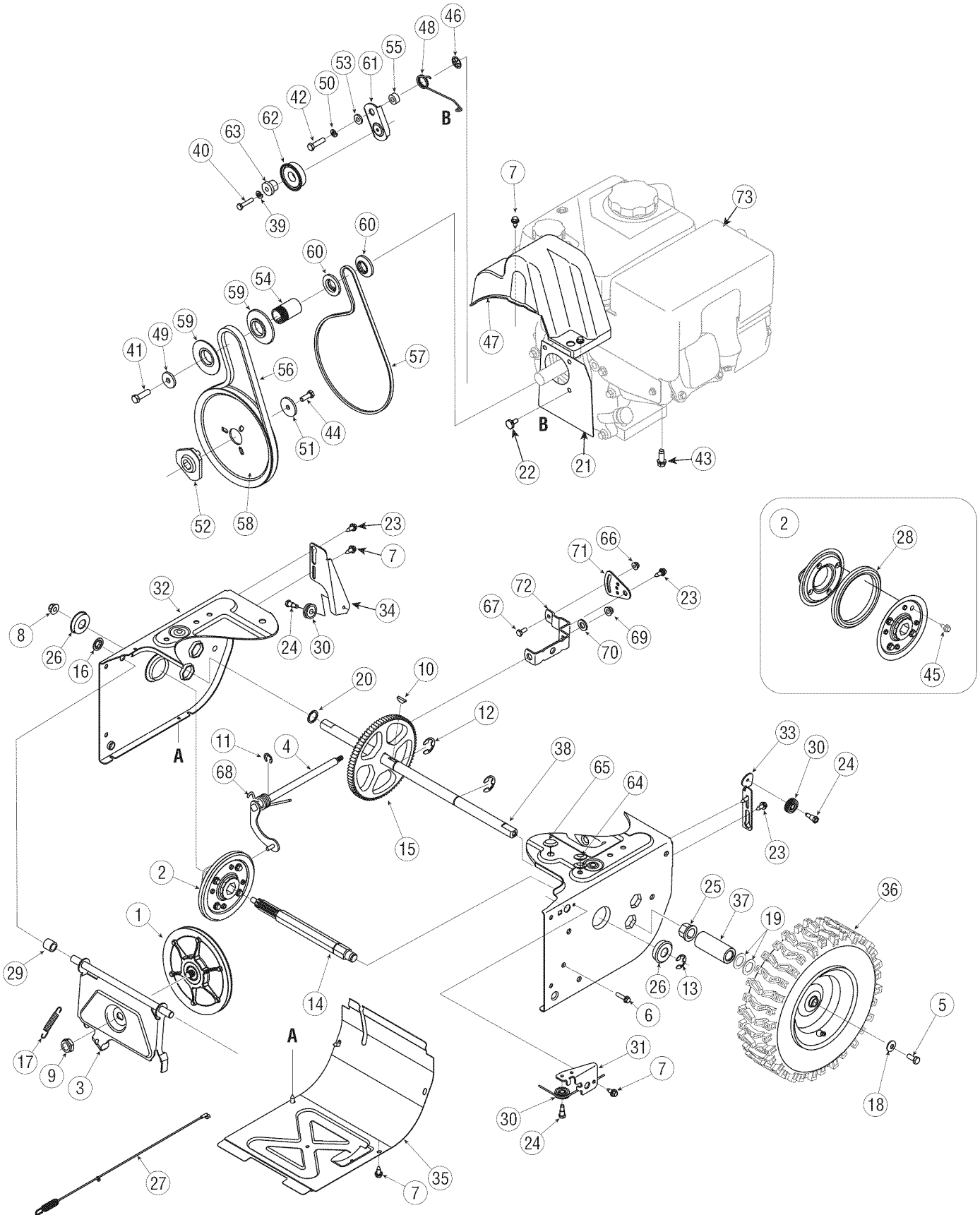
Ref. No.	Part No.	Description
1.	631-04133A	Handle Assembly, Clutch Lock, LH
2.	631-04134B	Handle Assembly, Clutch Lock, RH
3.	684-04111B	Handle Ass'y, Engage, LH
4.	684-04112C	Handle Ass'y, Engage, RH
5.	731-06440A	Chute, Lower
6.	732-04238	Spring, Torsion, .8156 ID x .3038
7.	914-0145	Click Pin
8.	710-04586	Screw, 1/4-20 x 1.625
9.	790-00219-4044	Panel, Handle, (no cutout)
10.	710-1233	Screw, Machine, #10-24, 1.375
11.	731-06471	Handle Panel Cover
12.	712-04063	Nut, Flange Lock, 5/16-18, Nylon
13.	749-04190A-0637	Handle, Upper, RH
14.	936-0185	Washer, Flat, .375 x .738 x .063
15.	720-0274	Grip, 1.0 ID x 5.0
16.	720-04039	Knob, Shift, Black
17.	918-04933	Gearbox Assembly
18.	926-0100	Cap, Push, 3/8 Rod
19.	732-0193	Spring, .39 x .60 x .88
20.	920-0284	Knob, 5/16-18, Black
21.	720-04102	Crank Knob
22.	749-04138A-0637	Handle, Lower
23.	935-0199A	Bumper, Rubber, .62 OD x .22
24.	736-0262	Washer, Flat, .385 x .870 x .092
25.	738-04118	Bolt, Shoulder, 5/16-18 x 0.905
26.	738-04348	Screw, Shoulder, .43 x 1.3, 1/4-20
27.	684-04311A-0637	Bracket, Chute Support
28.	946-04397A	Cable, Speed Selector
29.	749-04191A-0637	Handle, Upper, LH

Ref. No.	Part No.	Description
30.	790-00341	Bracket, Rod
31.	790-00313-0637	Shift Lever
32.	710-04370	Screw, 1/4-20 x 3.00
33.	710-0627	Screw, 5/16-24 x .750
34.	710-04071	Bolt, Carriage, 5/16-18, 1.0
35.	710-0451	Bolt, Carriage, 5/16-18, .750
36.	731-04426A	Chute, Upper, w/ Label
37.	710-1652	Screw, 1/4-20 x .625
38.	941-0475	Bushing, Plastic, .380
39.	711-04469A	Pin, Clevis
40.	712-04064	Nut, Flange Lock, 1/4-20
41.	710-0572	Screw, Carriage, 5/16-18, 2.25
42.	710-04484	Screw, 5/16-18, 2.25, Gr5
43.	914-0101	Pin, Cotter
44.	790-00248C-0637	Bracket, Panel
45.	684-04250	Rod, Pivot
46.	710-04326	Screw, #8-16 x .50
47.	710-3069	Screw, 1/4-20 x .50
48.	712-04081A	Nut, Hex, 1/4-20
49.	731-04894D	Plate, Lock
50.	731-04896B	Cam, Clutch Lock
51.	732-04219C	Spring, Clutch Lock
52.	712-3087	Nut, Wing
53.	714-04040	Bow-Tie Cotter Pin
54.	736-04446	Washer, Flat, .25 x .630 x .0515
55.	738-04367	Scr. Shldr. Flg., .312 x 3.5 x 1/4-20
56.	747-05386-0637	Crank, Chute
—	753-08018†	Chute Kit (Incl. Ref.# 5 & 36)

† Available for warranty coverage only. Contact a Sears authorized service provider for details.

PARTS LIST

Craftsman Snow Thrower Model 247.881730



PARTS LIST

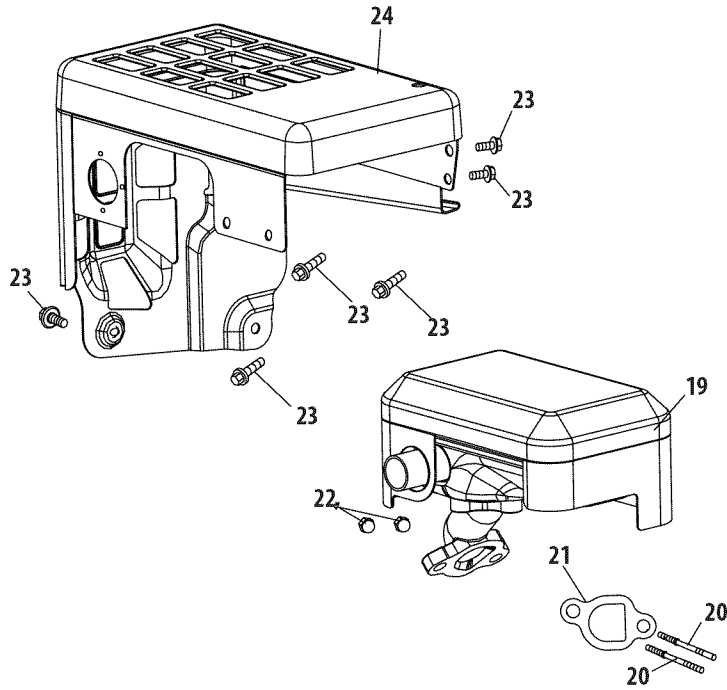
Craftsman Snow Thrower Model 247.881730

Ref. No.	Part No.	Description
1.	656-04055	Disc Assembly, Friction Wheel
2.	684-04153	Friction Wheel Assembly, 5.5 OD
3.	684-04154B-0637	Support Bracket, Friction Wheel
4.	684-04156A	Shift Assembly, Rod
5.	710-0627	Hex Screw, 5/16-24, .750, Gr5
6.	710-0788	Screw, 1/4-20, 1.000
7.	710-1652	Screw, 1/4-20 x .625
8.	712-04065	Nut, Flange Lock, 3/8-16, Nylon
9.	712-0417A	Nut, Flange, 5/8-18
10.	914-0126	Key, Hi Pro, 3/16 x 3/4 Dia.
11.	916-0104	E-ring, .500 Dia.
12.	716-0136	E-ring, Retaining, .875 Dia.
13.	916-0231	E-ring, .750 Dia.
14.	917-04209A	Hex Shaft, .8125, 7-Tooth
15.	917-04230A	Gear, 80-Tooth
16.	726-0221	Speed Nut, .500
17.	932-0264	Extension Spring
18.	736-0242	Washer, Bell, .340 x .872 x .060
19.	936-0287	Washer, Flat, .793 x 1.24 x .060
20.	736-04161	Washer, Flat, .75 x 1.00 x .060
21.	790-00289A-0637	Plate, Cover
22.	738-04439	Shoulder Screw
23.	738-04184A	Screw, Shoulder, .37 x .105, 1/4-20
24.	738-0924A	Screw, 1/4-28, .375
25.	941-0245	Bearing, Hex Flange x .75 ID
26.	941-0563	Bearing, Ball, 17 x 40 x 12
27.	946-04229B	Clutch Cable, Wheel, 44.95"
28.	935-04054	Rubber, Friction Wheel, 5.5 OD
29.	748-0190	Spacer, .508 ID x .75 OD x .68
30.	756-0625	Roller, Cable
31.	790-00096-0637	Front Guide Bracket, Auger Cable
32.	790-00180A-4044	Frame
33.	790-00206A-0637	Guide Bracket, Auger Cable
34.	790-00207C	Guide Bracket, Drive Cable
35.	790-00316-0637	Cover, Frame
36.	634-04167A-0911	LH Wheel Assembly
	634-04168A-0911	RH Wheel Assembly

Ref. No.	Part No.	Description
37.	731-04873	Spacer, 1.25 x .75 x 3.0
38.	938-04168	Axle, .75 x 22"
39.	936-0329	Washer, Lock, 1/4
40.	710-0809	Hex Screw, 1/4-20, 1.25, Gr5
41.	710-0191	Hex Screw, 3/8-24, 1.25, Gr8
42.	710-0672	Hex Screw, 5/16-24, 1.25, Gr5
43.	710-0654A	Screw, Sems, 3/8-16, 1.00
44.	710-1245B	Hex Screw, 5/16-24, .875, Gr8
45.	710-0896	Screw, 1/4-20 x .625
46.	926-04012	Nut, Push-on, .25 Dia.
47.	731-04792A	Cover, Belt
48.	732-04308A	Spring, Torsion, .850 ID x .354
49.	736-0247	Washer, Flat, .406 x 1.25 x .157
50.	936-0119	Washer, Lock .3125
51.	736-0505	Washer, Flat, .34 x 1.50 x .150
52.	748-04053A	Pulley, Adapter, .75 Dia.
53.	748-04112B	Spacer, Shoulder, .317 x .50 x .102
54.	750-04303	Spacer, .875 ID x 1.185 OD
55.	750-04477A	Spacer, .340 x .750 x .360
56.	954-04050	Belt, Auger Drive
57.	954-04260	Belt, Wheel Drive
58.	756-04109	Pulley, Auger Drive, 8.1 x .5
59.	756-04113	Pulley, Half, V x 2.600 OD
60.	756-04252	Pulley, Half, 3/8-V x 1.7160 OD
61.	790-00208C	Idler Bracket, Wheel Drive
62.	684-04169	Idler Pulley Assembly
63.	750-04571	Spacer, Shoulder, .26 x .79 x .538
64.	735-04099	Plug, 3/8 ID
65.	735-04100	Plug, 1/2 ID
66.	712-04064	Nut, Flange Lock, 1/4-20, Nylon
67.	710-0751	Hex Screw, 1/4-20, .620, Gr5
68.	732-04311A	Spring, Torsion, .750 ID x .968
69.	712-04063	Nut, Flange Lock, 5/16-18, Nylon
70.	936-3015	Wash., Flat, .469 x .875 x .105
71.	790-00217A-0637	Pivot Bracket, Speed Selector
72.	790-00218A-0637	Shift Bracket, Speed Selector
73.	952Z270-SUA	Replacement Engine

PARTS LIST

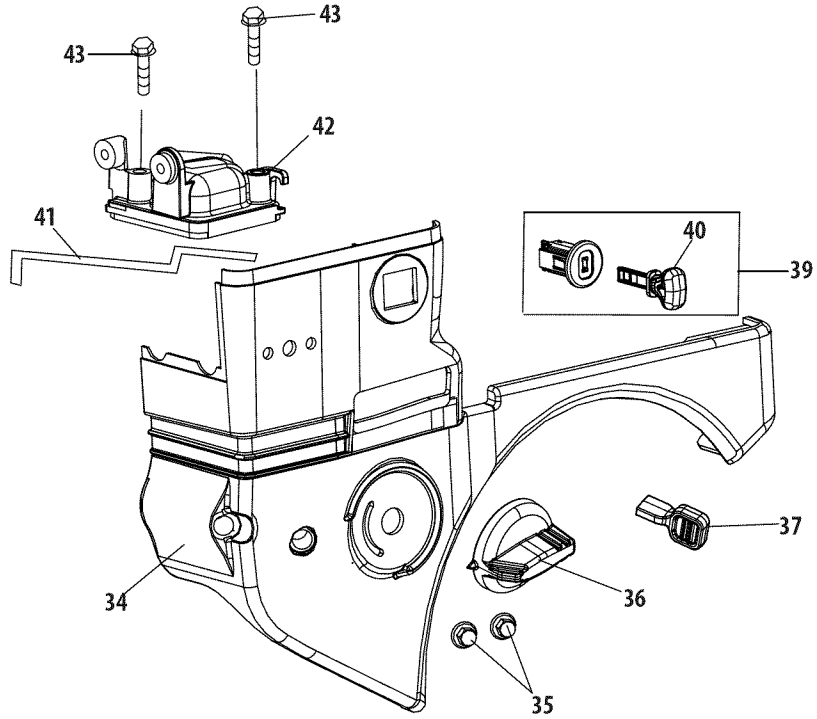
Craftsman Engine Model 270-SUA For Snow Model 247.881730



Ref.	Part No.	Description
19	951-11282	Muffler Assembly
20	710-05001	Muffler Stud
20	951-14190	Muffler Stud Kit
21	951-11289	Muffler Gasket
22	712-04214	Nut - M8
23	710-04915	Bolt - M6 X 12 Zin
24	951-10642B	Muffler Shroud

PARTS LIST

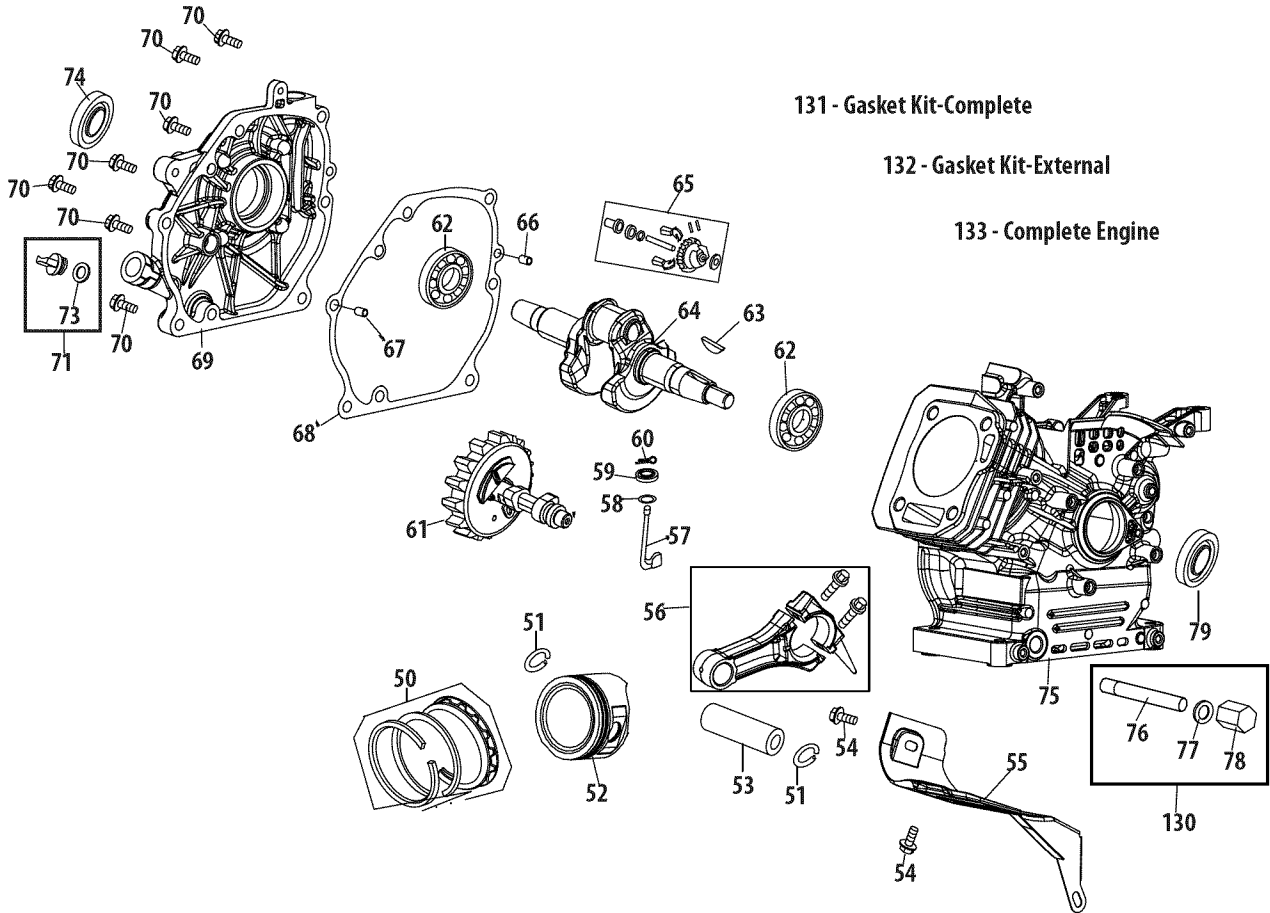
Craftsman Engine Model 270-SUA For Snow Model 247.881730



Ref.	Part No.	Description
34	951-10634	Shroud-Engine
35	712-04213	Nut
36	951-11284	Choke Knob
37	951-10757	Throttle Knob
39	951-10637	Switch-Ignition
40	731-05632	Ignition Key Switch
41	951-10640	Push Rod-Choke
42	951-10635	Air Filter Heating
43	710-04943	Bolt-M6 1X28M Spec

PARTS LIST

Craftsman Engine Model 270-SUA For Snow Model 247.881730



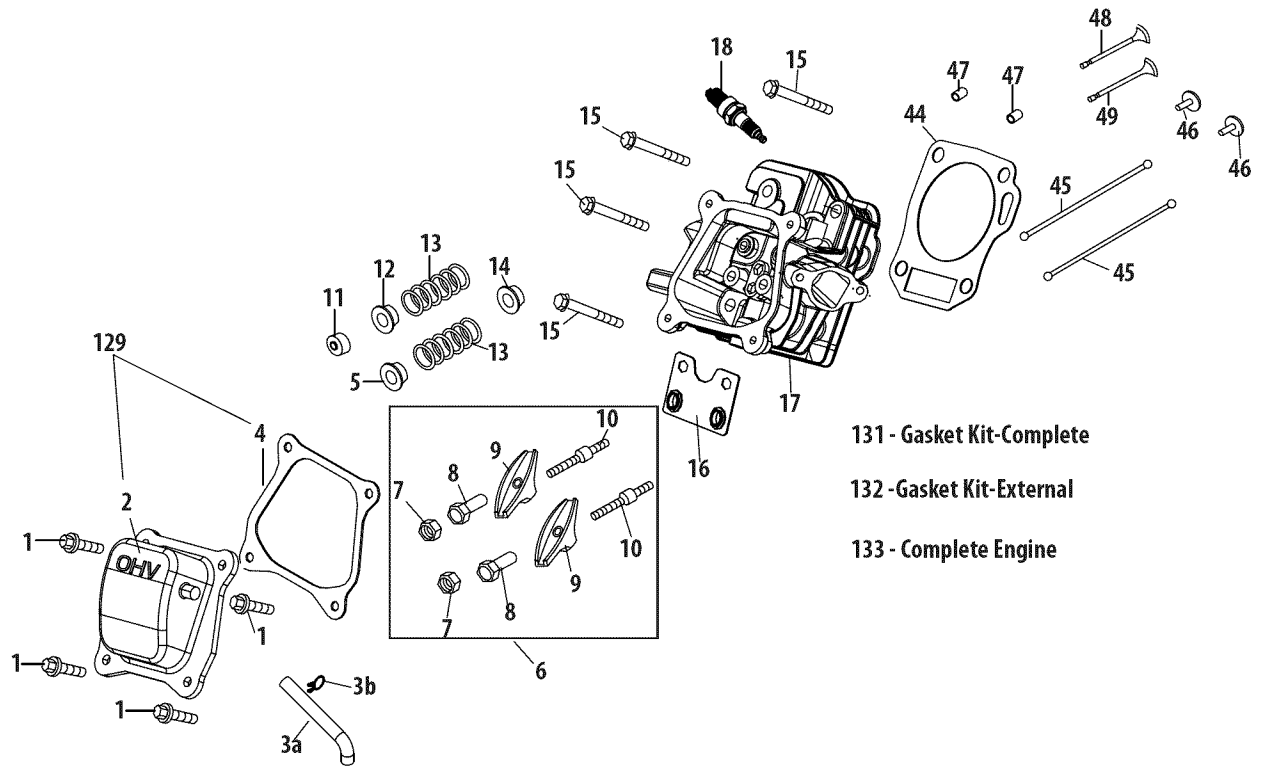
PARTS LIST

Craftsman Engine Model 270-SUA For Snow Model 247.881730

Ref.	Part No.	Description	Ref.	Part No.	Description
50	951-12111	Piston Ring Set	70	710-04932	Bolt
51	951-11632	Piston Pin Snap Ring	71	951-11283	Oil Fill Plug Assembly
52	951-12007	Piston	73	951-11577	O-Ring 15.8 X 2.5
53	951-11633	Piston Pin	74	951-11368	Oil Seal
54	710-04915	Bolt - M6 X 12 Zin	75	951-11249	Crankcase Kit
55	951-11113	Shield - Air			(Incl. 59,62,74,75,79)
56	951-11573	Connecting Rod Assembly		951-11060B	Shortblock Assembly
57	951-14053	Governor Shaft			(Incl. 4,21,27-29,44,46, 47,50-53,56-79)
58	736-04461	Washer	76	951-11350	Oil Drain Pipe
59	951-11902	Governor Seal	77	736-04440	Washer
60	714-04078	Cotter Pin	78	710-04906	Bolt - Drain Plug
61	951-11575	Camshaft Assembly	79	951-11370	Oil Seal
62	951-11369	Bearing	130	951-10641	Oil Drain Assembly
63	951-10307	Key:Flywheel	131	951-11059A	Gasket Kit-Complete
64	951-11247A	Crankshaft Kit			(Incl. 4,21,27-29,32,44, 58,59,68,74,77,79)
		(Incl. 62,63,64,74,79)	132	951-10661B	Gasket Kit-External
65	951-11576	Governor Gear/Shaft			(Incl. 4,21,27-29,32,77)
66	715-04092	Pin-Dowel	133	952Z270-SUA	Complete Engine
67	715-04096	Dowl Pin 9X14			
68	951-11371	Crankcase Cover Gasket			
69	951-12125	Crankcase Cover			
	951-11246	Crankcase Cover Kit			
		(Incl. 62,68-74)			

PARTS LIST

Craftsman Engine Model 270-SUA For Snow Model 247.881730



- 131 - Gasket Kit-Complete
- 132 - Gasket Kit-External
- 133 - Complete Engine

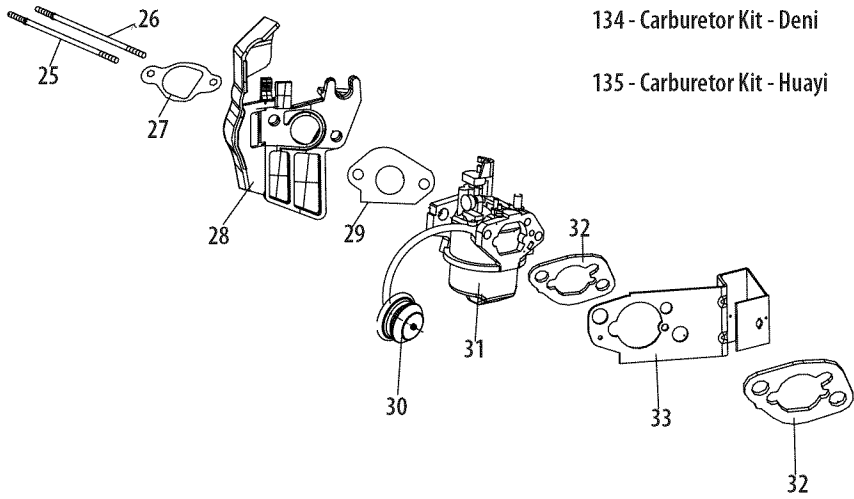
PARTS LIST

Craftsman Engine Model 270-SUA For Snow Model 247.881730

Ref.	Part No.	Description
1	710-04968	Flange Bolt M6
2	951-11054A	Valve Cover
3a	731-07059	Hose-Breather
3b	726-04101	Clamp-Breather Hose
4	951-11565	Valve Cover Gasket
5	951-12000	Intake Valve Spring Retainer
6	951-11892	Rocker Arm Assembly
7	751-11124	Nut - Pivot Lockin
8	751-11123	Nut - Valve Adjust
9	951-11893	Rocker Arm
10	710-04902	Bolt - Pivot
11	951-12002	Exhaust Valve Adjuster
12	951-12003	Exhaust Valve Spring Retainer
13	951-12004	Valve Spring
14	951-11894	Intake Valve Seal
15	710-04933	Bolt - M8 X 55 Zin
16	951-11895	Push Rod Guide
17	951-10722B	Cylinder Head Assembly (Incl. 4-14,16,17,21,27-29, 44,48,49)
18	951-10292	Plug:Spark
44	951-11572	Gasket-Cylinder Head
45	951-10648	Kit-Push Rod
46	951-11899	Tappet
47	715-04108	Pin-Dowl 10 X 16
48	951-10647A	Valve Kit
49	951-10647A	Valve Kit
129	951-12626	Valve Cover Kit
131	951-11059A	Gasket Kit-Complete (Incl. 4,21,27-29,32,44, 58,59,68,74,77,79)
132	951-10661B	Gasket Kit-External (Incl. 4,21,27-29,32,77)
133	952Z270-SUA	Complete Engine

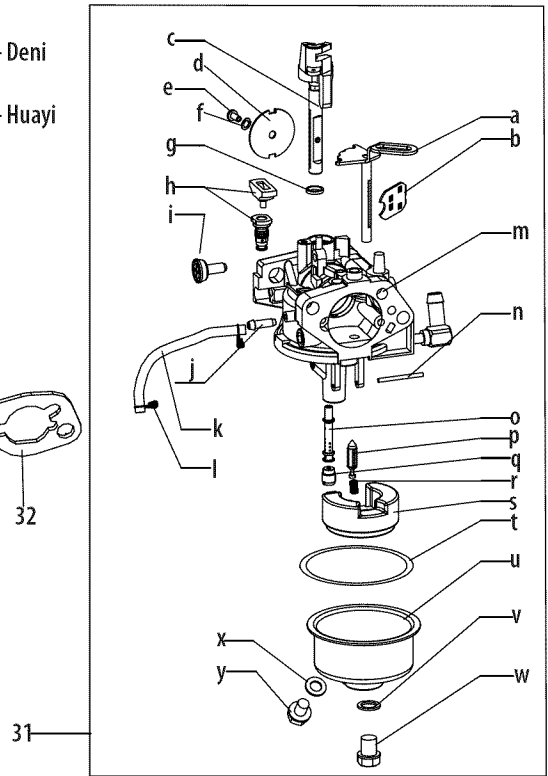
PARTS LIST

Craftsman Engine Model 270-SUA For Snow Model 247.881730



134 - Carburetor Kit - Deni

135 - Carburetor Kit - Huayi



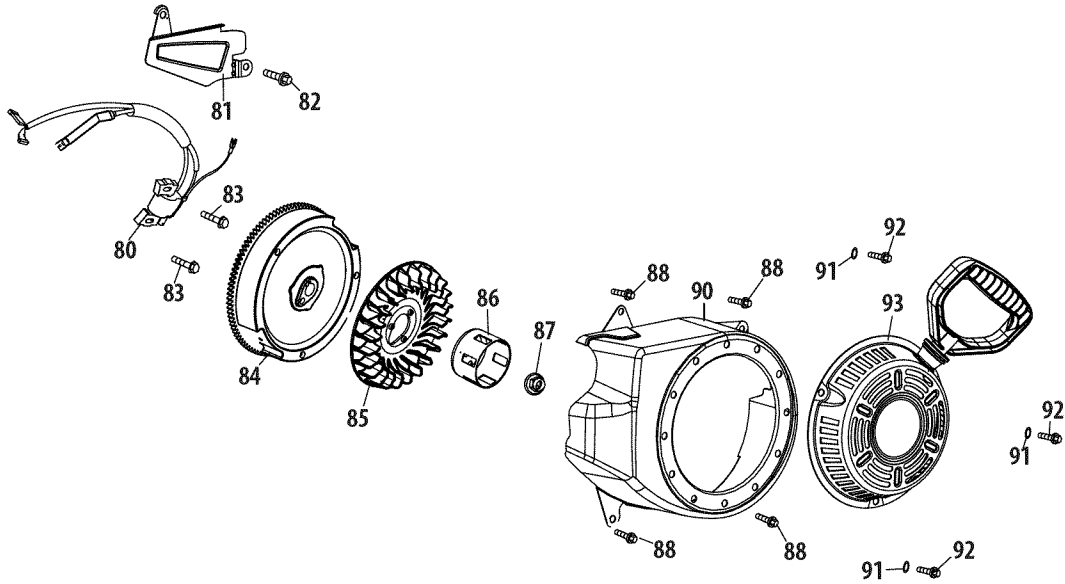
PARTS LIST

Craftsman Engine Model 270-SUA For Snow Model 247.881730

Ref.	Part No.	Description
25	710-04939	Stud-Carb
26	710-04910	Stud - M6 X 105
27	951-11567	Gasket-Carb Insulator
28	951-11896	Carburetor Insulat
29	951-11569A	Carburetor Gasket
30	951-10639A	Primer
30	951-11824	Primer Bulb
31	951-14026A	Carburetor Assembly - Huayi
31	951-14027A	Carburetor Assembly - Deni
32	951-11897	Carburetor Gasket
33	951-11112	Bracket - Choke Control
134	951-14154	Carburetor Kit - Deni (Incl. h,n,o,p,q,r,s,t,u,x)
135	951-12788A	Carburetor Kit - Huayi (Incl. h,n,o,p,q,r,s,t,u,x)
a	n/a	Choke Shaft
b	n/a	Choke Plate
c	n/a	Throttle Shaft
d	n/a	Throttle Plate
e	710-05469	Screw M3x5
f	736-04638	Lock Washer
g	n/a	Gasket, Throttle Plate
h	n/a	Idle Jet Assembly
i	n/a	Idle Speed Adjusting Screw
j	n/a	Mixture Screw
k	951-11699	Primer Hose
l	951-11906	Hose Clamp
m	n/a	Carburetor Body
n	n/a	Float Pin
o	n/a	Emulsion Tube
p	951-12875	Float Needle Valve
q	n/a	Main Jet
r	n/a	Needle Valve Spring
s	n/a	Float
t	951-11589	Fuel Bowl Gasket
u	n/a	Fuel Bowl
v	951-11348	Fuel Bowl Gasket
w	710-04945	Fuel Bowl Mounting Bolt
x	951-11349	Fuel Drain Plug Gasket
y	710-04938	Fuel Drain Plug

PARTS LIST

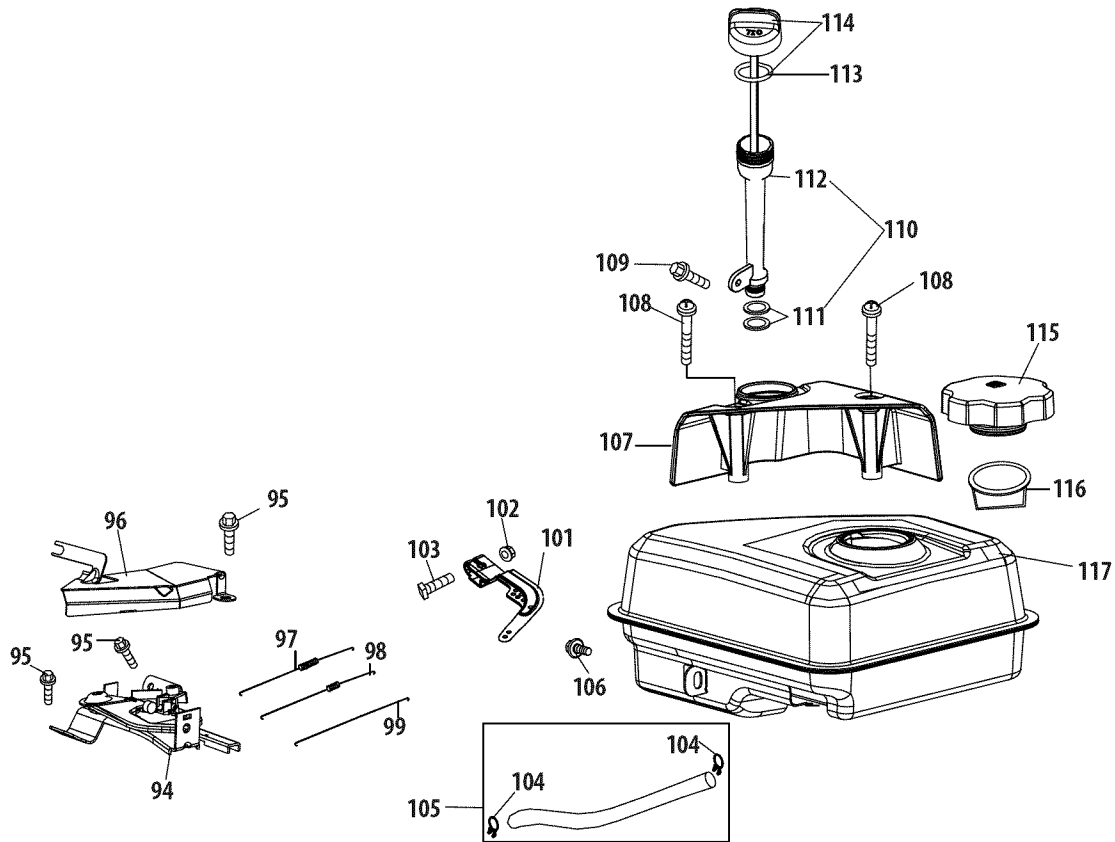
Craftsman Engine Model 270-SUA For Snow Model 247.881730



Ref.	Part No.	Description
80	951-10646	Ignition Coil
81	951-11110	Shield - Air Flow
82	710-04940	Bolt
83	710-04919	Bolt - Flange M6
84	951-12416	Flywheel
85	951-10934	Cooling Fan
86	951-10911	Starter Cup
87	712-04209	Nut - M14
88	710-04915	Bolt - M6 X 12 Zin
90	951-10663A	Fan Cover Complete
91	736-04455	Flat Washer-Recoil
92	710-04974	Flange Bolt M6
93	951-14151	Recoil Start Assembly

PARTS LIST

Craftsman Engine Model 270-SUA For Snow Model 247.881730

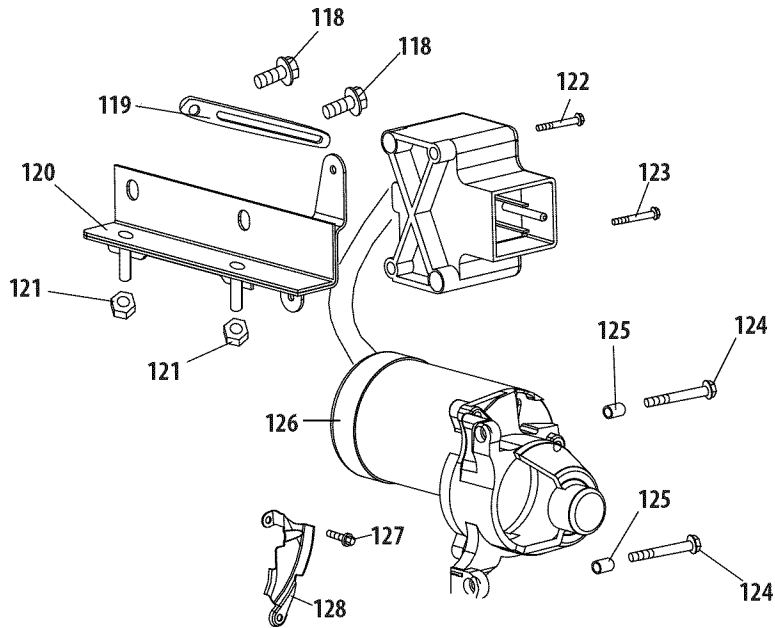


Ref.	Part No.	Description
94	951-10758	Throttle Control Assembly
95	710-05103	Bolt-M6 X 12
96	951-11108	Shield - Governor
97	951-11935	Governor Spring
98	951-10664	Spring-Throttle Return
99	951-10665	Rod-Governor
101	951-11106	Bracket - Governor
102	712-04212	Nut - M6
103	710-04908	Bolt - M6 X 21 Gov
104	951-11700	Hose Clamp-Carb
105	951-10650	Kit-Fuel Line
106	710-04915	Bolt - M6 X 12 Zin

Ref.	Part No.	Description
107	951-11914	Engine/Dipstick Cover
108	710-04905	Bolt
109	710-04915	Bolt - M6 X 12 Zin
110	951-11913	Oil Fill Tube Assembly
111	951-11381	O-Ring
112	951-10656	Dipstick Tube
113	951-11904	O-Ring Dipstick
114	951-12482	Dipstick Assy
115	951-12533	Fuel Cap
116	951-11933	Fuel Level Indicator
117	951-10653B	Fuel Tank

PARTS LIST

Craftsman Engine Model 270-SUA For Snow Model 247.881730



Ref.	Part No.	Description
118	710-04914	Bolt - Flange M6
119	951-11680	Flexible Clamp
120	951-11114	Bracket - Switch Housing Mount
121	712-05015	Nut
122	710-04965	Screw M4 X 55
123	710-04935	Screw - M4 X 60
124	710-05182	Bolt-M6 X 32
125	715-04088	Pin - Dowel
126	951-10645A	Electric Starter
127	710-04915	Bolt - M6 X 12 Zin
128	951-11109	Shield - Blower Housing


PARTS LIST

Craftsman Snow Thrower Model 247.881730

777S32636

777X43688


CLEAN-OUT TOOL



1. KEEP AWAY FROM ROTATING IMPELLER AND AUGER. CONTACT WITH IMPELLER OR AUGER CAN AMPUTATE HANDS AND FEET.
2. USE CLEAN-OUT TOOL TO UNCLG DISCHARGE CHUTE.
3. DISENGAGE CLUTCH LEVERS, STOP ENGINE, AND REMAIN BEHIND HANDLES UNTIL ALL MOVING PARTS HAVE STOPPED BEFORE UNCLOGGING OR SERVICING MACHINE.
4. TO AVOID THROWN OBJECTS INJURIES, NEVER DIRECT DISCHARGE AT BYSTANDERS. USE EXTRA CAUTION WHEN OPERATING ON GRAVEL SURFACES.
5. READ OPERATOR'S MANUAL.


⚠ DANGER

⚠ DANGER



AVOID INJURY FROM ROTATING AUGER - KEEP HANDS, FEET AND CLOTHING AWAY.

DO NOT USE E85 OR FUEL CONTAINING MORE THAN 10% ETHANOL



TO AVOID ENGINE DAMAGE

777S32236

777D16341

⚠ DANGER



- NEVER PUT HAND IN CHUTE. CONTACT WITH ROTATING PARTS CAN AMPUTATE FINGERS AND HANDS.
- SHUT OFF ENGINE AND WAIT UNTIL ALL MOVING PARTS HAVE STOPPED BEFORE UNCLOGGING.
- USE CLEAN-OUT TOOL OR WOODEN STICK TO UNCLG DISCHARGE CHUTE.

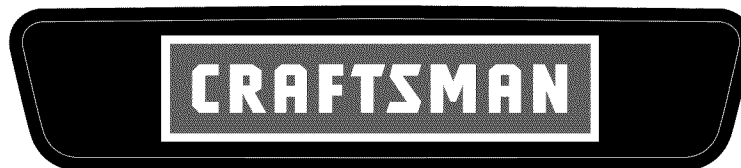
777D16340



777I22363



777D16355



777I23031



777I23030

<p>AUGER CONTROL</p> 	<p>CHUTE DIRECTIONAL CONTROL</p> 	<p>STARTING INSTRUCTIONS:</p> <ol style="list-style-type: none"> 1.) INSERT IGNITION KEY AND SNAP IN PLACE. 2.) SET CHOKE AND THROTTLE TO FULL (ON) POSITION. PUSH PRIMER 3x. 3.) ROPE START: PULL SLOWLY UNTIL HARDER TO PULL, THEN PULL RAPIDLY TO START. REPEAT PRIMING IF NEEDED. <p>ELECTRIC START: DO NOT USE IN RAIN. CONNECT POWER CORD AND PUSH STARTER BUTTON. REPEAT PRIMING IF NEEDED.</p> <ol style="list-style-type: none"> 4.) MOVE CHOKE SLOWLY TO OFF POSITION. 5.) TO STOP ENGINE: MOVE THROTTLE TO STOP POSITION. 	<p>DRIVE CONTROL</p> 
---	---	---	---

777D18044

CRAFTSMAN

CLEARING WIDTH 24"

ELECTRIC START