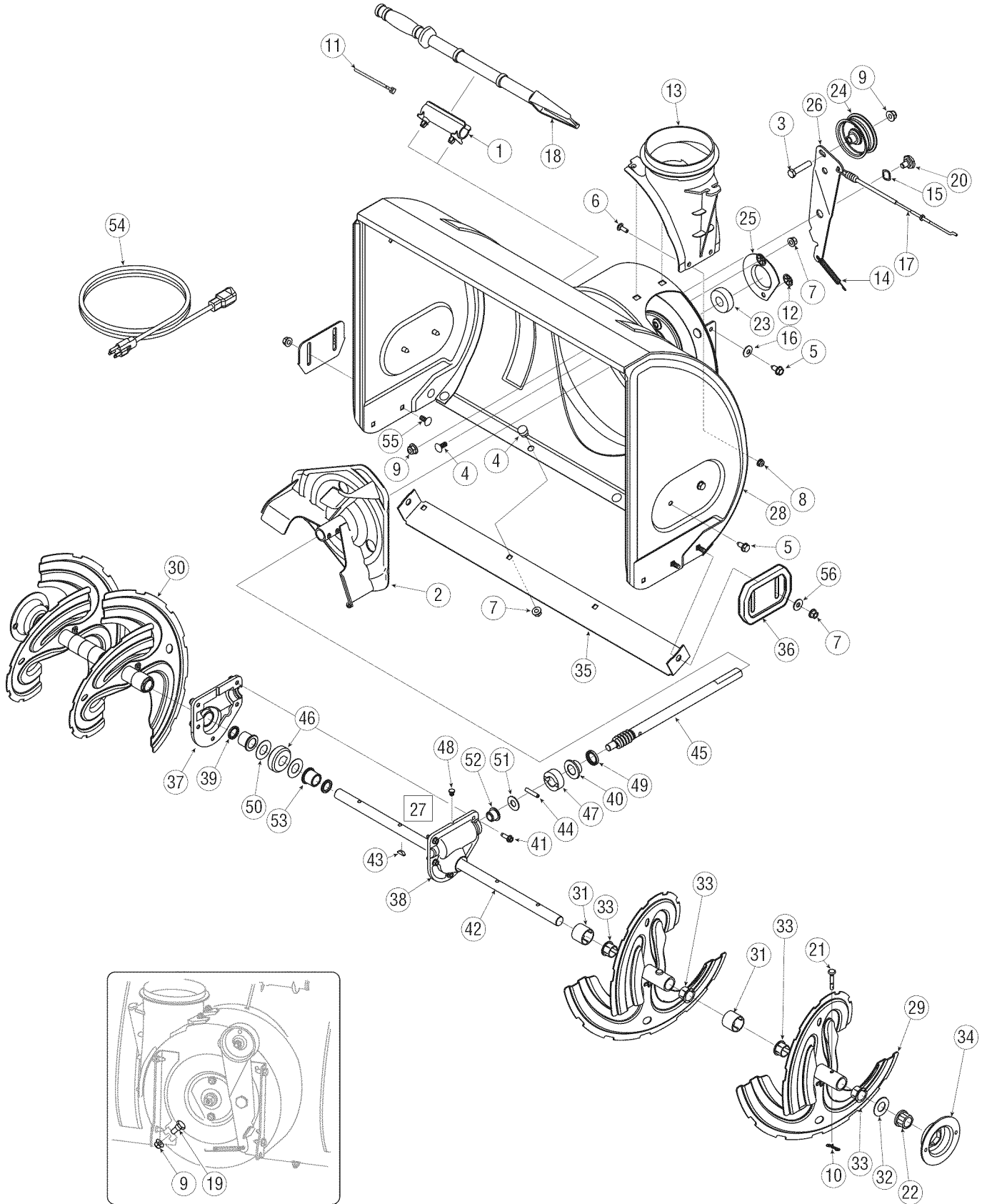


PARTS LIST

Craftsman Snow Thrower Model 247.881720



PARTS LIST

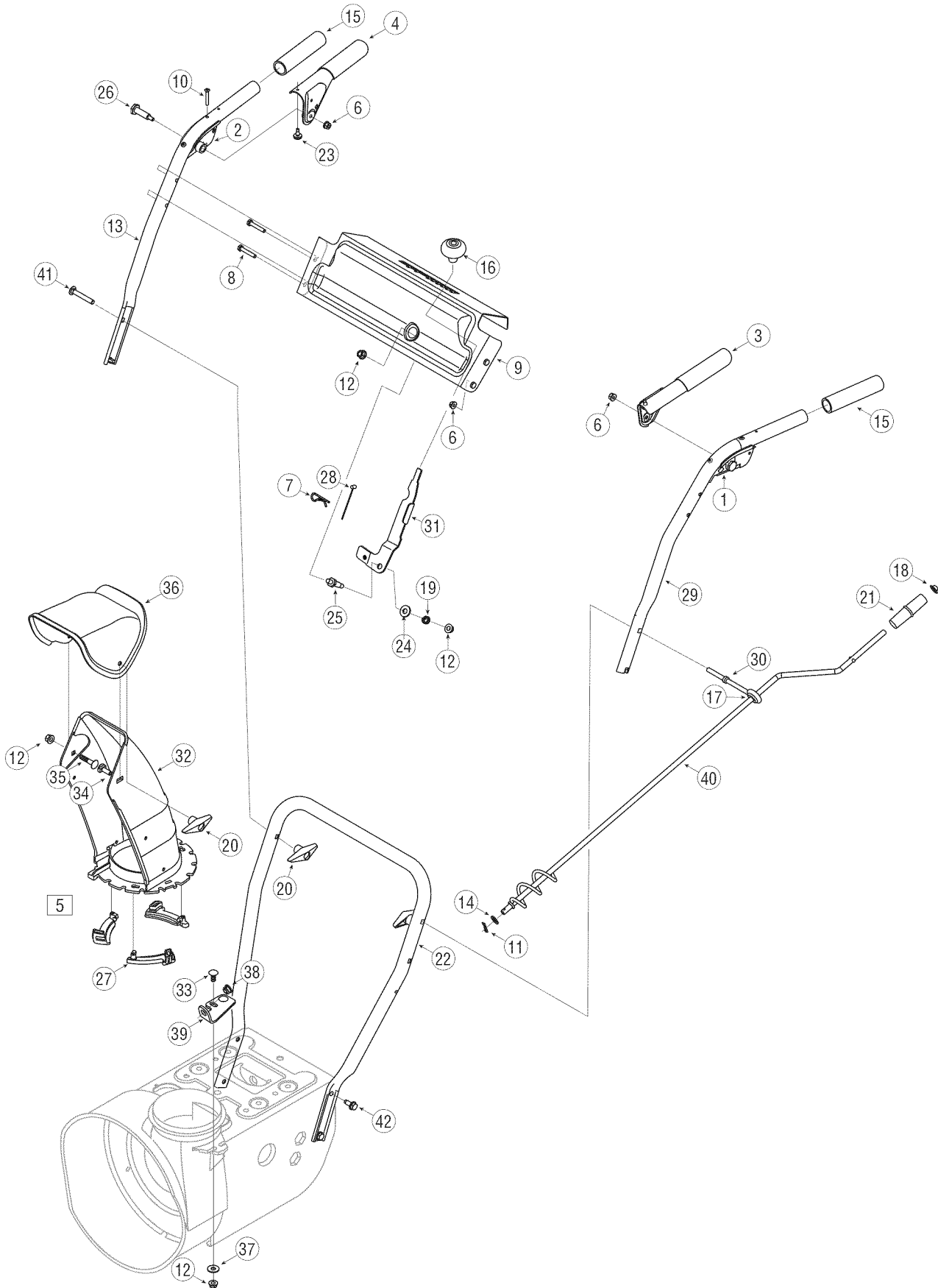
Craftsman Snow Thrower Model 247.881720

Ref. No.	Part No.	Description
1.	731-2635	Snow Removal Tool Mount
2.	684-04057A-0637	Impeller Assembly, 12" Dia.
3.	710-0347	Hex Screw, 3/8-16, 1.75, Gr5
4.	710-0451	Bolt, Carriage, 5/16-18, .750 Gr1
5.	710-04484	Screw, 5/16-18, 0.750
6.	710-0703	Screw, Carriage, 1/4-20, .750, Gr5
7.	712-04063	Nut, Flange Lock, 5/16-18, Nylon
8.	712-04064	Nut, Flange Lock, 1/4-20, Nylon
9.	712-04065	Nut, Flange Lock, 3/8-16, Nylon
10.	714-04040	Cotter Pin, Bow-tie
11.	725-0157	Cable, Tie, 3/16 x .05 x 7.4
12.	926-04012	Nut, Push-on, .25 Dia
13.	731-04705D	Chute, Adapter 5" Dia
14.	732-04460	Spring, Extension, .38 OD x 4.59
15.	736-0174	Washer, Wave, .625 x .885 x .015
16.	736-0242	Washer, Bell, .340 x .872 x .060
17.	946-04230A	Clutch Cable, Auger, 47.23"
18.	931-2643	Snow Removal Tool
19.	738-0143	Screw, Shoulder, .498 x .34, 3/8-16
20.	938-0281	Screw, Shoulder, .625 x .17, 3/8-16
21.	738-04124A	Shear Pin, .25 x 1.50
22.	941-0245	Bearing, Hex Flange x .75 ID
23.	941-0309	Bearing, Ball, .75 ID x 1.85 OD
24.	756-04224	Flat Pulley, Idler, 2.75 OD
25.	790-00075	Housing, Bearing, 1.85 ID
26.	790-00080B	Bracket, Auger Idler w/ Brake
27.	918-04171B	Gearbox Assembly, Auger, 24"
28.	684-04265-4044	Housing Assembly, Auger 24"

Ref. No.	Part No.	Description
29.	684-04107-0637	Spiral Assembly, LH
30.	684-04108-0637	Spiral Assembly, RH
31.	731-04870	Spacer, 1.25 OD x .75 ID x 1.00
32.	736-0188	Washer, Flat, .76 x 1.49 x .06
33.	741-0493A	Bushing, Flange, .80 ID x .91 OD
34.	790-00087A-0637	Housing, 1" Hex Bearing
35.	790-00120-4044	Shave Plate, 2.25 x 23.66
36.	731-06439	Slide Shoe
37.	918-0123A	Housing, Gearbox, RH
38.	918-0124A	Housing, Gearbox, LH
39.	921-0338	Seal, Oil, .750 x 1.00 x .125
40.	741-0662	Bearing, Flange, .75 x 1.0 x .59
41.	710-0642	Screw, Self-tapping, 1/4-20, 0.750
42.	711-04285	Axle, Auger, 24"
43.	914-0161	Key, Hi-pro 3/16 x 5/8
44.	715-04021	Pin, Dowel, .25 OD x 1.2
45.	917-04126	Shaft, Worm .75 OD
46.	917-04861	Gear, Worm 20T
47.	718-04071	Collar, Thrust
48.	721-0325	Plug, 1/4 x .437
49.	721-0327	Seal, Oil, .75 x 1 x .131
50.	936-0351	Washer, Flat, .760 ID x 1.5 OD
51.	736-3084	Washer, Flat, .51 x 1.12
52.	741-0663	Bearing, Flange, .75 x 1.0 x .925
53.	741-0661A	Bearing, Flange, .75 x 1.00 x .975
54.	929-0071A	Extension Cord, 110V
55.	710-0276	Screw, Carriage, 5/16-18 x 1.00
56.	936-0159	Washer, Flat, .349 x .879 x .063

PARTS LIST

Craftsman Snow Thrower Model 247.881720



PARTS LIST

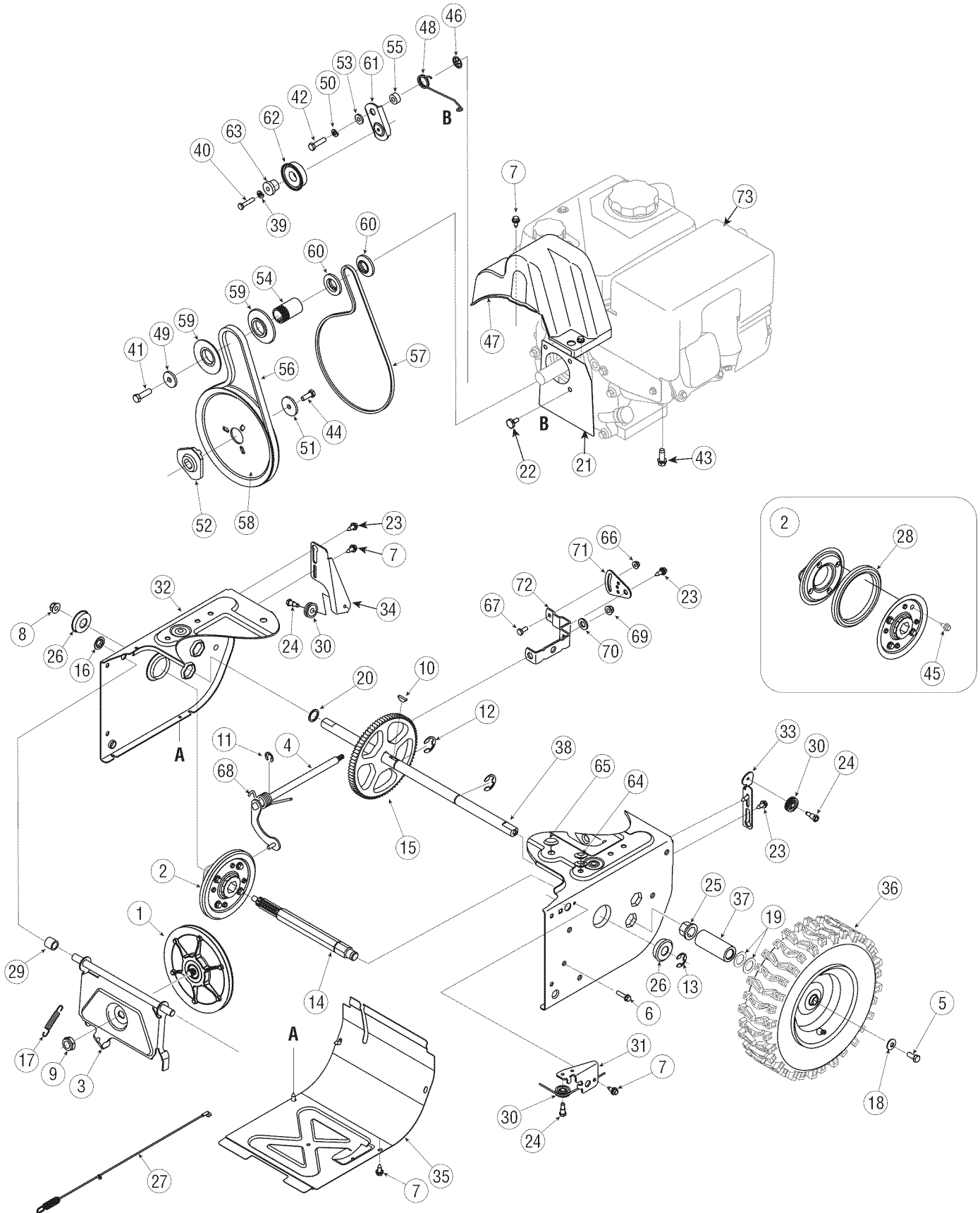
Craftsman Snow Thrower Model 247.881720

Ref. No.	Part No.	Description
1.	631-04133A	Handle Assembly, Clutch Lock, LH
2.	631-04134B	Handle Assembly, Clutch Lock, RH
3.	684-04105B	Handle Ass'y, Engage, LH
4.	684-04106C	Handle Ass'y, Engage, RH
5.	631-04131B	Chute, Lower (Incl. Ref. # 27, Qty. 3)
6.	712-04064	Nut, Flange Lock, 1/4-20
7.	914-0145	Click Pin
8.	710-0606	Screw, 1/4-20 x 1.50
9.	790-00219-4044	Panel, Handle, (no cutout)
10.	710-1233	Screw, Machine, #10-24, 1.375
11.	914-0104	Pin, Cotter, .072 x 1.13
12.	712-04063	Nut, Flange Lock, 5/16-18, Nylon
13.	749-04190A-0637	Handle, Upper, RH
14.	936-0185	Washer, Flat, .375 x .738 x .063
15.	720-0274	Grip, 1.0 ID x 5.0
16.	720-04039	Knob, Shift, Black
17.	735-0234	Grommet, .44 ID x .94 OD x .50
18.	926-0100	Cap, Push, 3/8 Rod
19.	732-0193	Spring, .39 x .60 x .88
20.	920-0284	Knob, 5/16-18, Black
21.	720-0201A	Crank Knob, 1.0 Dia. x 3.2, Black

Ref. No.	Part No.	Description
22.	749-04138A-0637	Handle, Lower
23.	935-0199A	Bumper, Rubber, .62 OD x .22
24.	736-0262	Washer, Flat, .385 x .870 x .092
25.	738-04118	Bolt, Shoulder, 5/16-18 x 0.905
26.	738-04348	Screw, Shoulder, .43 x 1.3, 1/4-20
27.	731-04869A	Chute, Flange Keeper
28.	946-04397A	Cable, Speed Selector
29.	749-04191A-0637	Handle, Upper, LH
30.	747-04263	Eye Bolt, Chute Crank
31.	790-00313-0637	Shift Lever
32.	731-04912B	Chute, Lower, 5.0 Dia.
33.	710-0276	Bolt, Carriage, 5/16-18, 1.0
34.	710-04071	Bolt, Carriage, 5/16-18, 1.0
35.	710-0451	Bolt, Carriage, 5/16-18, .750
36.	731-04426A	Chute, Upper, w/ Label
37.	936-0159	Washer, .349 x .879 x .063
38.	941-0475	Bushing, Plastic, .380
39.	784-5647-0637	Bracket, Chute Crank
40.	684-04104-0637	Crank Assembly, Chute
41.	710-0449	Screw, Carriage, 5/16-18, 2.25
42.	710-04484	Screw, 5/16-18, 2.25, Gr5

PARTS LIST

Craftsman Snow Thrower Model 247.881720



PARTS LIST

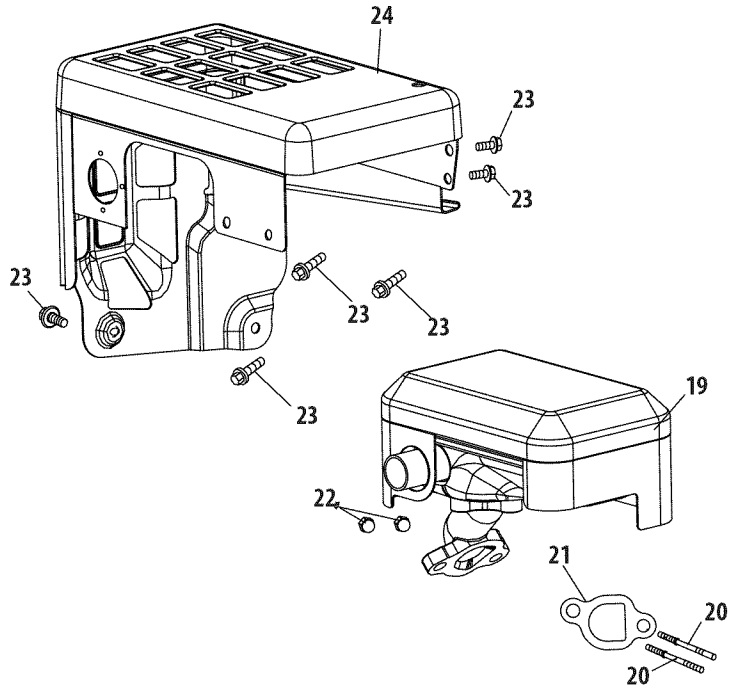
Craftsman Snow Thrower Model 247.881720

Ref. No.	Part No.	Description
1.	656-04055	Disc Assembly, Friction Wheel
2.	684-04153	Friction Wheel Assembly, 5.5 OD
3.	684-04154B-0637	Support Bracket, Friction Wheel
4.	684-04156A	Shift Assembly, Rod
5.	710-0627	Hex Screw, 5/16-24, .750, Gr5
6.	710-0788	Screw, 1/4-20, 1.000
7.	710-1652	Screw, 1/4-20 x .625
8.	712-04065	Nut, Flange Lock, 3/8-16, Nylon
9.	712-0417A	Nut, Flange, 5/8-18
10.	914-0126	Key, Hi Pro, 3/16 x 3/4 Dia.
11.	916-0104	E-ring, .500 Dia.
12.	716-0136	E-ring, Retaining, .875 Dia.
13.	916-0231	E-ring, .750 Dia.
14.	917-04209A	Hex Shaft, .8125, 7-Tooth
15.	917-04230A	Gear, 80-Tooth
16.	726-0221	Speed Nut, .500
17.	932-0264	Extension Spring
18.	736-0242	Washer, Bell, .340 x .872 x .060
19.	936-0287	Washer, Flat, .793 x 1.24 x .060
20.	736-04161	Washer, Flat, .75 x 1.00 x .060
21.	790-00289A-0637	Plate, Cover
22.	738-04439	Shoulder Screw
23.	738-04184A	Screw, Shoulder, .37 x .105, 1/4-20
24.	738-0924A	Screw, 1/4-28, .375
25.	941-0245	Bearing, Hex Flange x .75 ID
26.	941-0563	Bearing, Ball, 17 x 40 x 12
27.	946-04229B	Clutch Cable, Wheel, 44.95"
28.	935-04054	Rubber, Friction Wheel, 5.5 OD
29.	748-0190	Spacer, .508 ID x .75 OD x .68
30.	756-0625	Roller, Cable
31.	790-00096-0637	Front Guide Bracket, Auger Cable
32.	790-00180A-4044	Frame
33.	790-00206A-0637	Guide Bracket, Auger Cable
34.	790-00207C	Guide Bracket, Drive Cable
35.	790-00316-0637	Cover, Frame
36.	634-04167A-0911	LH Wheel Assembly
	634-04168A-0911	RH Wheel Assembly

Ref. No.	Part No.	Description
37.	731-04873	Spacer, 1.25 x .75 x 3.0
38.	938-04168	Axle, .75 x 22"
39.	736-0329	Washer, Lock, 1/4
40.	710-0809	Hex Screw, 1/4-20, 1.25, Gr5
41.	710-0191	Hex Screw, 3/8-24, 1.25, Gr8
42.	710-0672	Hex Screw, 5/16-24, 1.25, Gr5
43.	710-0654A	Screw, Sems, 3/8-16, 1.00
44.	710-1245B	Hex Screw, 5/16-24, .875, Gr8
45.	710-0896	Screw, 1/4-20 x .625
46.	926-04012	Nut, Push-on, .25 Dia.
47.	731-04792A	Cover, Belt
48.	732-04308A	Spring, Torsion, .850 ID x .354
49.	736-0247	Washer, Flat, .406 x 1.25 x .157
50.	936-0119	Washer, Lock .3125
51.	736-0505	Washer, Flat, .34 x 1.50 x .150
52.	748-04053A	Pulley, Adapter, .75 Dia.
53.	748-04112B	Spacer, Shoulder, .317 x .50 x .102
54.	750-04303	Spacer, .875 ID x 1.185 OD
55.	750-04477A	Spacer, .340 x .750 x .360
56.	954-04050	Belt, Auger Drive
57.	954-04260	Belt, Wheel Drive
58.	756-04109	Pulley, Auger Drive, 8.1 x .5
59.	756-04113	Pulley, Half, V x 2.600 OD
60.	756-04252	Pulley, Half, 3/8-V x 1.7160 OD
61.	790-00208C	Idler Bracket, Wheel Drive
62.	684-04169	Idler Pulley Assembly
63.	750-04571	Spacer, Shoulder, .26 x .79 x .538
64.	735-04099	Plug, 3/8 ID
65.	735-04100	Plug, 1/2 ID
66.	712-04064	Nut, Flange Lock, 1/4-20, Nylon
67.	710-0751	Hex Screw, 1/4-20, .620, Gr5
68.	732-04311A	Spring, Torsion, .750 ID x .968
69.	712-04063	Nut, Flange Lock, 5/16-18, Nylon
70.	936-3015	Wash., Flat, .469 x .875 x .105
71.	790-00217A-0637	Pivot Bracket, Speed Selector
72.	790-00218A-0637	Shift Bracket, Speed Selector
73.	952Z265-SUA	Replacement Engine

PARTS LIST

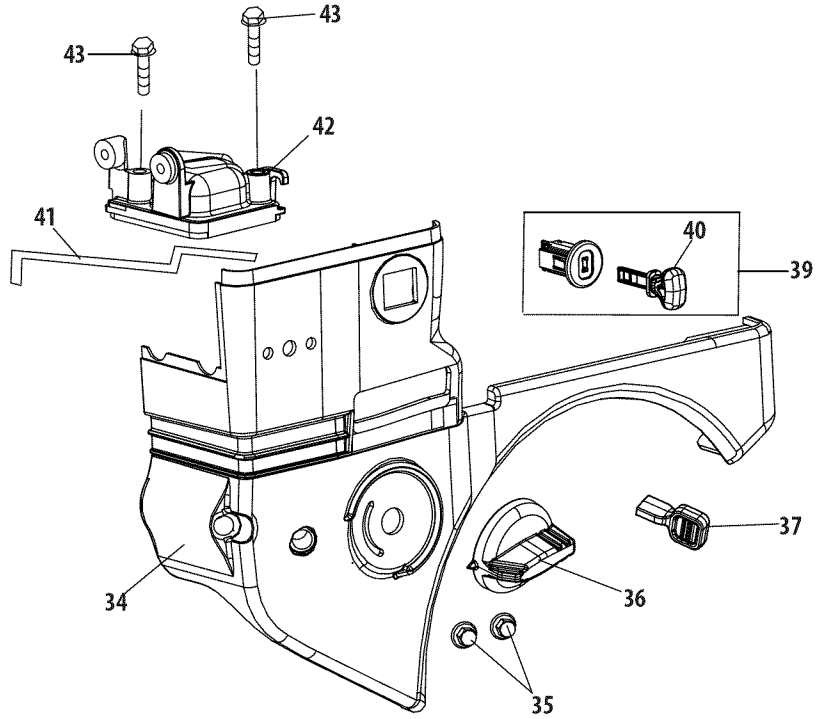
Craftsman Engine Model 265-SUA For Snow Model 247.881720



Ref.	Part No.	Description
19	951-11282	Muffler Assembly
20	710-05001	Stud M8×36
20	751-14190	Muffler Stud Kit
21	951-11289	Exhaust Pipe Gasket
22	712-04214	Nut, M8
23	710-04915	Bolt M6×12
24	951-10642B	Muffler Shield

PARTS LIST

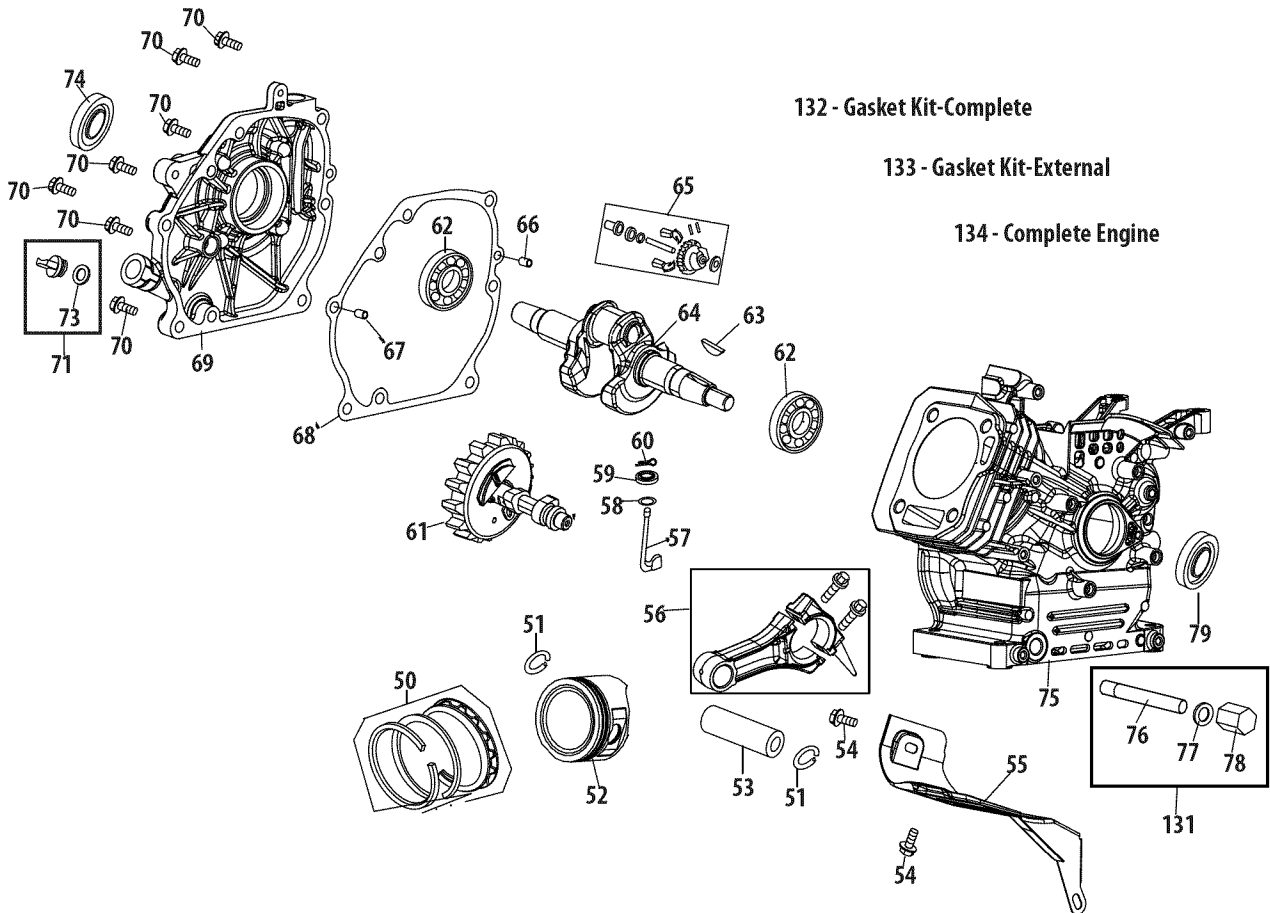
Craftsman Engine Model 265-SUA For Snow Model 247.881720



Ref.	Part No.	Description
34	951-10634	Air Cleaner Housing
35	712-04213	Nut
36	951-11284	Choke Knob
37	951-10757	Throttle Control Knob
39	951-10637	Key Switch
40	731-05632	Key
41	951-10640	Choke Push Rod
42	951-10635	Heater Box
43	710-04943	Bolt M6x28

PARTS LIST

Craftsman Engine Model 265-SUA For Snow Model 247.881720



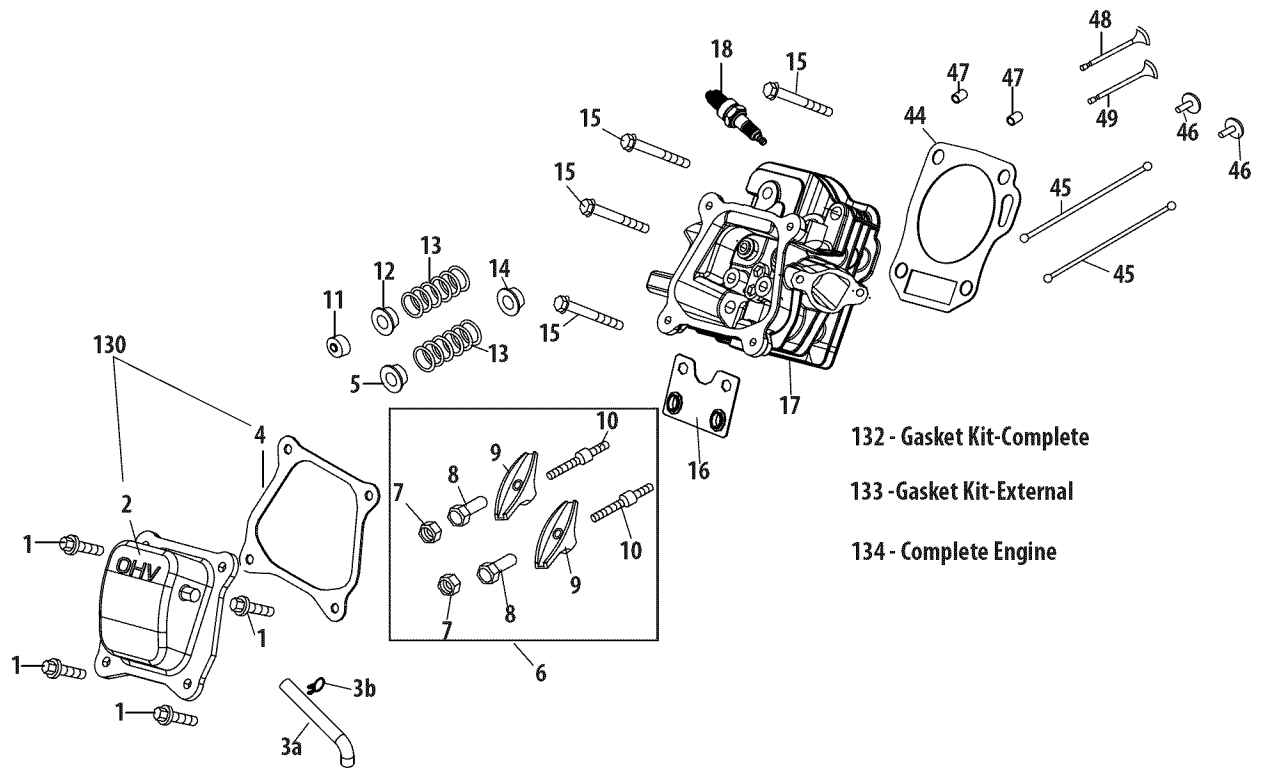
PARTS LIST

Craftsman Engine Model 265-SUA For Snow Model 247.881720

Ref.	Part No.	Description	Ref.	Part No.	Description
50	951-11688	Piston Ring Set	70	710-04932	Bolt M8x32
51	951-11632	Piston Pin Snap Ring	71	951-11283	Oil Fill Plug Assembly
52	951-11900	Piston	73	951-11577	O-Ring 15.8x2.5
53	951-11901	Piston Pin	74	951-11368	Oil Seal, 25x41.25x6
54	710-04915	Bolt M6x12	75	951-11248A	Crankcase Kit
55	951-11113	Air Shield			(Incl.59,62,74,75,79)
56	951-11573	Connecting Rod Assembly		951-11062B	Short Block Assembly
57	951-14053	Governor Arm Shaft			(Incl. 4,21,27-29,32,44,
58	736-04461	Washer 5.2x1.9			46,47,80-53,56-79)
59	951-11902	Governor Seal	76	951-11350	Oil Drain Pipe Assy.
60	714-04078	Cotter Pin	77	736-04440	Washer 10x16x1.5
61	951-11575	Camshaft Assembly	78	710-04906	Oil Drain Plug
62	951-11369	Radial Ball Bearing, 6205	79	951-11370	Oil Seal 25x41.25x6
63	951-10307	Woodruff Key	131	951-10641	Oil Drain Assembly
64	951-11247A	Crankshaft Kit	132	951-11061A	Gasket Kit - Complete
		(Incl.62-64,74,79)			(Incl.4,21,27-29,32,44,
65	951-11576	Governor Gear/Shaft Assembly			58,59,68,74,77,79)
66	715-04092	Dowel Pin 7x14	133	951-10661B	Gasket Kit - External
67	715-04096	Dowel Pin 9x14			(Incl. 4,21,27-29,32,77)
68	951-11371	Crankcase Cover Gasket	134	952Z265-SUA	Complete Engine
69	951-12125	Crankcase Cover			
	951-11246	Crankcase Cover Kit			
		(Incl. 62,68-74)			

PARTS LIST

Craftsman Engine Model 265-SUA For Snow Model 247.881720



132 - Gasket Kit-Complete

133 - Gasket Kit-External

134 - Complete Engine

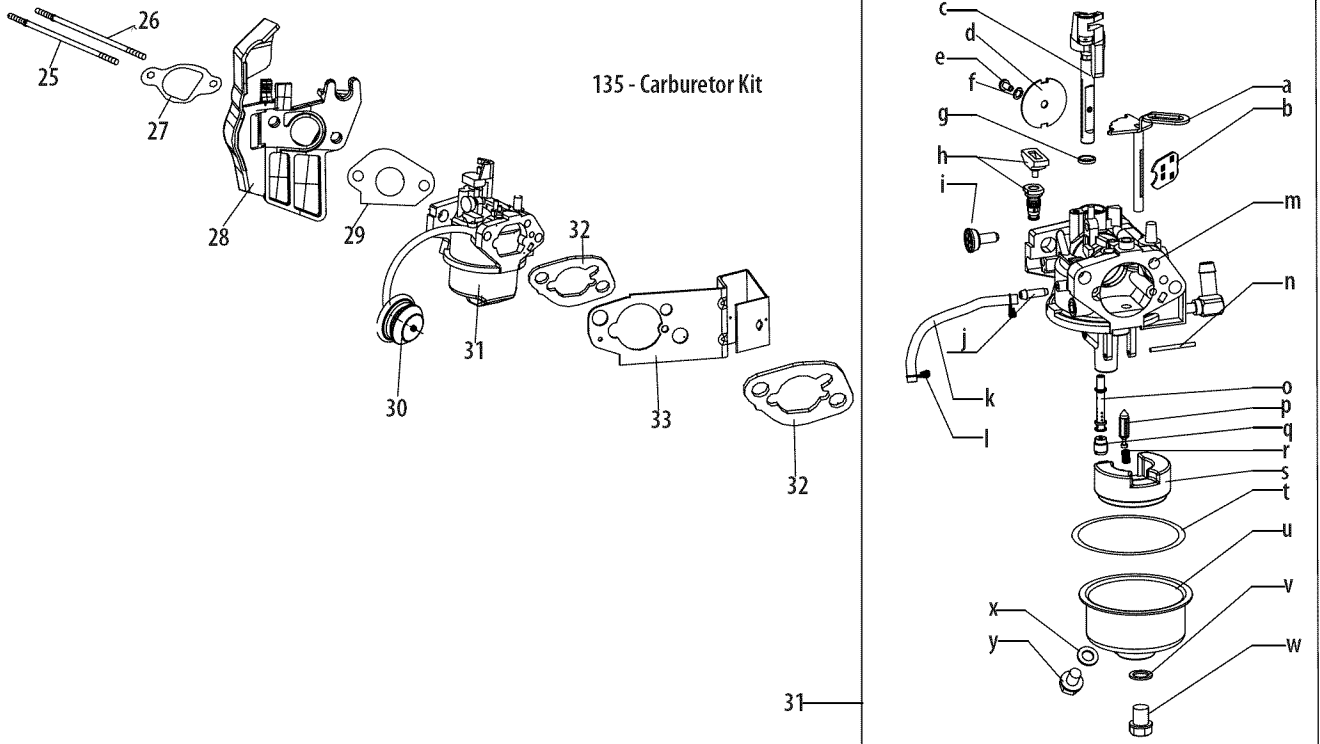
PARTS LIST

Craftsman Engine Model 265-SUA For Snow Model 247.881720

Ref.	Part No.	Description
1	710-04968	Bolt M6x16
2	951-11054A	Valve Cover
3a	731-07059	Breather Hose
3b	726-04101	Breather Hose Clamp
4	951-11565	Valve Cover Gasket
5	951-12000	Valve Spring Retainer (Intake)
6	951-11892	Rocker Arm Assembly
7	751-11124	Nut, Pivot Locking
8	751-11123	Adjusting Nut ,Valve
9	951-11893	Rocker Arm
10	710-04902	Bolt, Pivot
11	951-12002	Exhaust Lash Cap
12	951-12003	Valve Spring Retainer (Exhaust)
13	951-12004	Valve Spring
14	951-11894	Valve Seal (Intake)
15	710-04933	Bolt M8x55
16	951-11895	Push Rod Guide
17	751-14195	Cylinder Head Assembly (Incl.4-14,16,17,21,27, 29,44,48,49)
18	951-10292	Spark Plug/F6Rtc
44	951-11898	Gasket, Cylinder Head
45	951-10648	Push Rod Kit
46	951-11899	Tappet
47	715-04108	Dowel Pin 10x16
48	951-10647A	Valve Kit
49	951-10647A	Valve Kit
130	951-12626	Valve Cover Kit
132	951-11061A	Gasket Kit - Complete (Incl.4,21,27-29,32,44, 58,59,68,74,77,79)
133	951-10661B	Gasket Kit - External (Incl. 4,21,27-29,32,77)
134	952Z265-SUA	Complete Engine

PARTS LIST

Craftsman Engine Model 265-SUA For Snow Model 247.881720



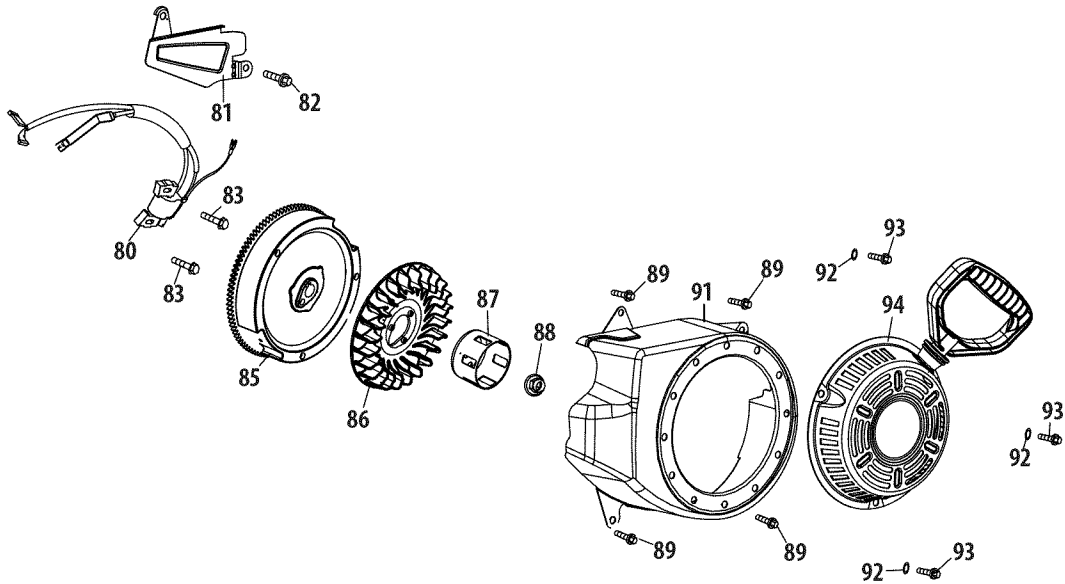
PARTS LIST

Craftsman Engine Model 265-SUA For Snow Model 247.881720

Ref.	Part No.	Description
25	710-04939	Stud M6x117
26	710-04910	Stud M6x105
27	951-11567	Carburetor Insulator Gasket
28	951-11896	Carburetor Insulator
29	951-11569A	Carburetor Gasket
30	951-10639A	Primer Assembly
30	951-11824	Primer Bulb
31	951-12705	Carburetor Assembly
32	951-11897	Carburetor Gasket Plate
33	951-11112	Choke Control
135	951-14050	Carburetor Kit (Incl.h,n,o,p,q,r,s,t,v,x)
a	n/a	Choke Shaft
b	n/a	Choke Plate
c	n/a	Throttle Shaft
d	n/a	Throttle Plate
e	710-05469	Screw M3x6
f	736-04638	Lock Washer
g	n/a	Gasket, Throttle Plate
h	n/a	Idle Jet Assembly (0.34)
i	n/a	Idle Speed Adjusting Screw
j	n/a	Primer Pipe
k	951-11699	Primer Hose
l	951-11906	Hose Clamp
m	n/a	Carburetor Body
n	n/a	Float Pin
o	n/a	Emulsion Tube (P18-019)
p	951-12875	Needle Valve
q	n/a	Main Jet (#73)
r	n/a	Needle Valve Spring
s	n/a	Float
t	951-11589	Fuel Bowl O-Ring
u	n/a	Fuel Bowl
v	951-11348	Fuel Bowl Mounting Bolt Gasket
w	710-04945	Fuel Bowl Mounting Bolt
x	951-11349	Fuel Bowl Drain Bolt Gasket
y	710-04938	Fuel Bowl Drain Bolt

PARTS LIST

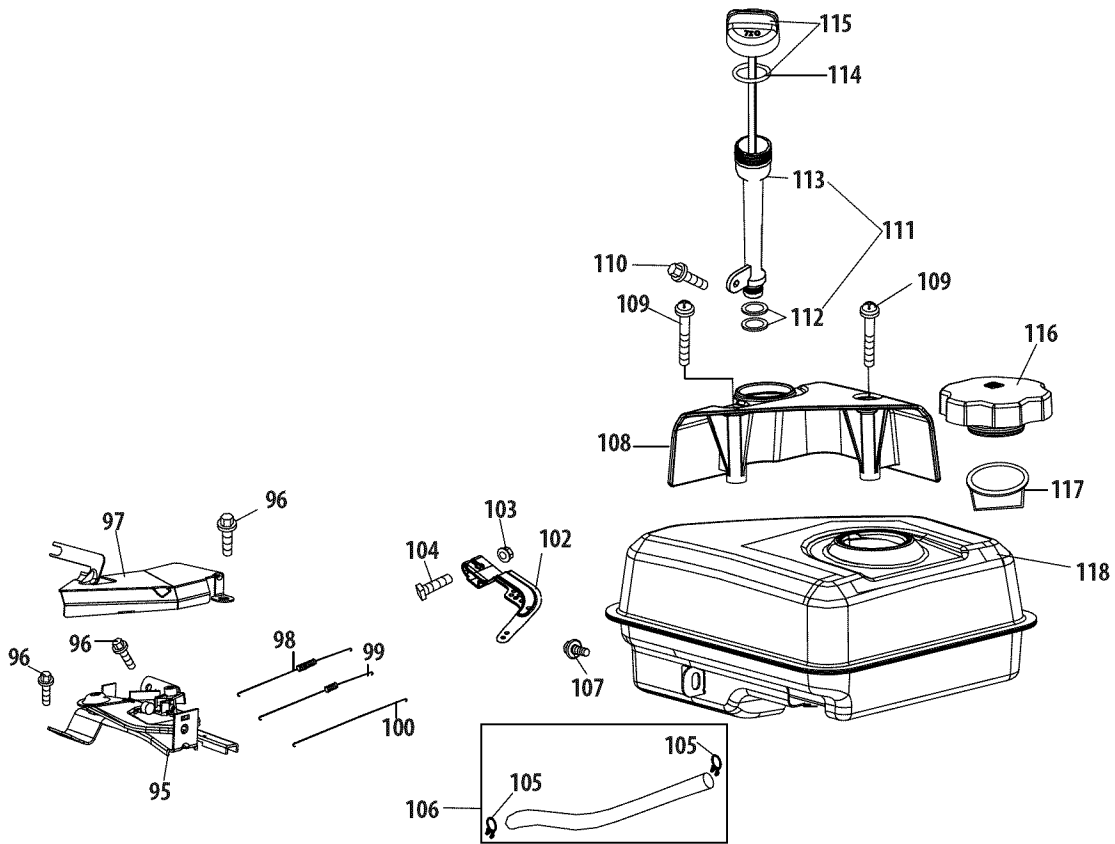
Craftsman Engine Model 265-SUA For Snow Model 247.881720



Ref.	Part No.	Description
80	951-10646	Ignition Coil Assembly
81	951-11110	Air Flow Shield
82	710-04940	Bolt M6x10
83	710-04919	Bolt M6x25
85	951-12416	Flywheel
86	951-10934	Cooling Fan
87	951-10911	Starter Cup
88	712-04209	Nut, Special, M14x1.5
89	710-04915	Bolt M6x12
91	951-10663A	Blower Housing
92	736-04455	Gasket 6
93	710-04974	Bolt M6x10
94	951-14151	Recoil Starter

PARTS LIST

Craftsman Engine Model 265-SUA For Snow Model 247.881720

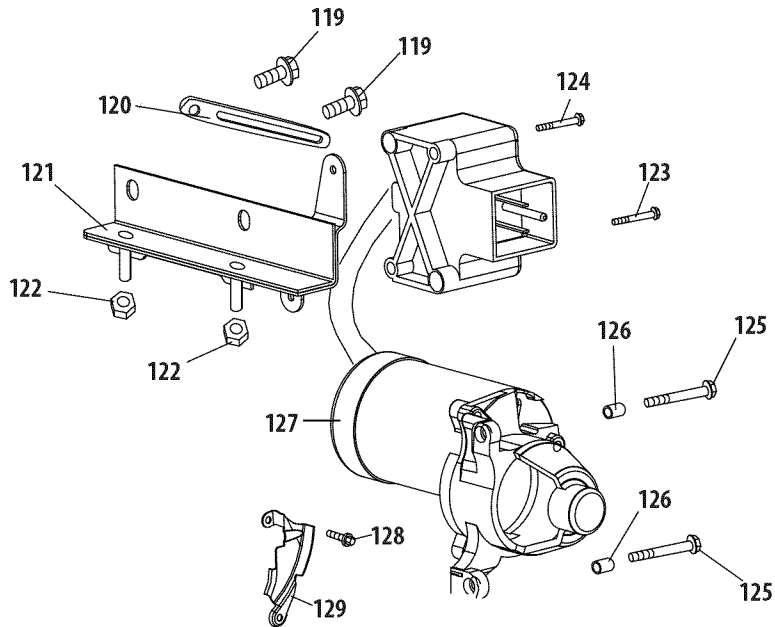


Ref.	Part No.	Description
95	951-10758	Primer Bracket
96	710-05103	Bolt M6x12
97	951-11108	Governor System Shield
98	951-11935	Governor Spring
99	951-10664	Throttle Linkage Spring
100	951-10665	Throttle Linkage
102	951-11106	Governor Arm
103	712-04212	Nut M6
104	710-04908	Governor Arm Bolt
105	951-11700	Fuel Hose Clamp
106	951-10650	Fuel Line Kit
107	710-04915	Bolt M6x12

Ref.	Part No.	Description
108	951-11914	Dipstick Decoration Cover
109	710-04905	Bolt
110	710-04915	Bolt M6x12
111	951-11913	Oil Fill Tube Assembly
112	951-11381	O-Ring
113	951-10656	Oil Fill Tube
114	951-11904	O-Ring
115	951-12482	Dipstick Assembly
116	951-12533	Fuel Cap Assembly
117	951-11933	Fuel Level Indicator
118	951-10653B	Fuel Tank Assembly

PARTS LIST

Craftsman Engine Model 265-SUA For Snow Model 247.881720



Ref.	Part No.	Description
119	710-04914	Bolt M6x10
120	951-11680	Wire Clip
121	951-11114	Switch Housing Mounting Bracket
122	712-05015	Nut, M6
123	710-04935	Bolt M4x60
124	710-04965	Bolt M4x55
125	710-05182	Bolt M6x32
126	715-04088	Dowel Pin 8x8
127	951-10645A	Electric Starter
128	710-04915	Bolt M6x12
129	951-11109	Blower Housing Shield

PARTS LIST

Craftsman Snow Thrower Model 247.881720

777S32636

CLEAN-OUT TOOL

1. KEEP AWAY FROM ROTATING IMPELLER AND AUGER. CONTACT WITH IMPELLER OR AUGER CAN AMPUTATE HANDS AND FEET.
2. USE CLEAN-OUT TOOL TO UNCLOG DISCHARGE CHUTE.
3. DISENGAGE CLUTCH LEVERS, STOP ENGINE, AND REMAIN BEHIND HANDLES UNTIL ALL MOVING PARTS HAVE STOPPED BEFORE UNCLIPPING OR SERVICING MACHINE.
4. TO AVOID THROWN OBJECTS INJURIES, NEVER DIRECT DISCHARGE AT BYSTANDERS, USE EXTRA CAUTION WHEN OPERATING ON GRAVEL SURFACES.
5. READ OPERATOR'S MANUAL.

DANGER

DANGER

AVOID INJURY FROM ROTATING AUGER - KEEP HANDS, FEET AND CLOTHING AWAY.

777X43688

DO NOT USE E85 OR FUEL CONTAINING MORE THAN 10% ETHANOL

TO AVOID ENGINE DAMAGE

777S32236

DANGER

- NEVER PUT HAND IN CHUTE. CONTACT WITH ROTATING PARTS CAN AMPUTATE FINGERS AND HANDS.
- SHUT OFF ENGINE AND WAIT UNTIL ALL MOVING PARTS HAVE STOPPED BEFORE UNBLOCKING.
- USE CLEAN-OUT TOOL OR WOODEN STICK TO UNBLOCK DISCHARGE CHUTE.

777D16340

CRAFTSMAN

777D16343

CRAFTSMAN

OVERHEAD VALVE

179cc

777D18039

CRAFTSMAN

AUGER CONTROL

STOP GO

CHUTE DIRECTIONAL CONTROL

DISCHARGE LEFT DISCHARGE RIGHT ADJUSTABLE CHUTE TILT

2 1

1 2 3 4 5 6

STARTING INSTRUCTIONS:

- 1.) INSERT KEY AND SNAP IN PLACE.
- 2.) MOVE THROTTLE CONTROL TO THE "FAST" POSITION.
- 3.) MOVE CHOKE CONTROL TO THE "CHOKE" POSITION. PUSH PRIMER 3x.
- 4.) ROPE START: PULL SLOWLY UNTIL HARDER TO PULL, THEN PULL HARDLY TO START. REPEAT PRIMING IF NEEDED.

ELECTRIC START: DO NOT USE IN RAIN. CONNECT POWER CORD AND PUSH STARTER BUTTON. REPEAT PRIMING IF NEEDED.

- 5.) MOVE CHOKE CONTROL SLOWLY TO THE "RUN" POSITION.
- 6.) TO STOP ENGINE: MOVE THROTTLE TO THE "STOP" POSITION.

DRIVE CONTROL

STOP GO

777122581

777D18034

CRAFTSMAN

CLEARING WIDTH 24"

ELECTRIC START