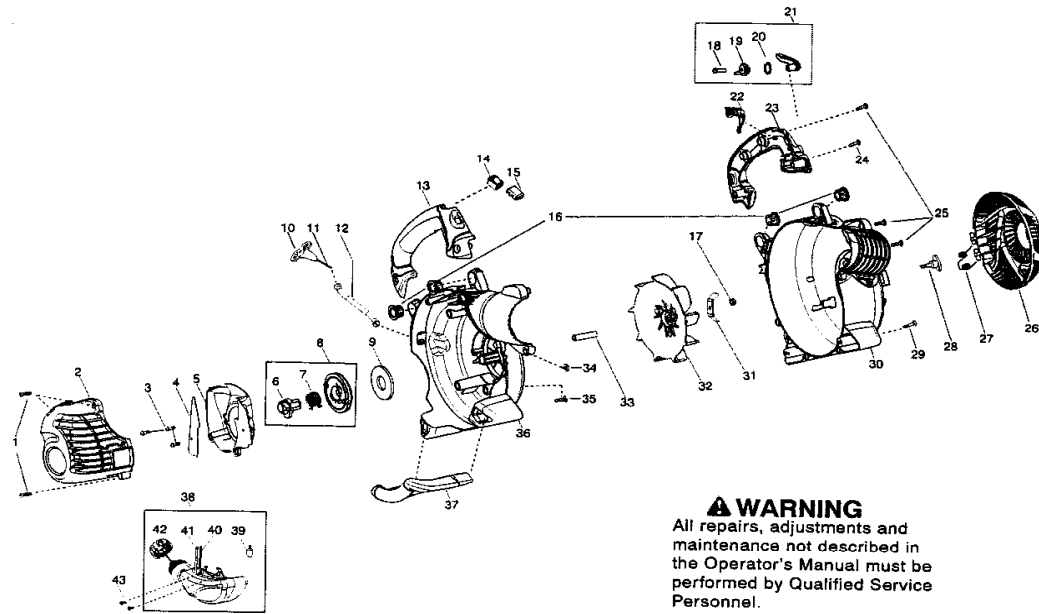


FUEL TANK/STARTER PULLEY

#	Part #	Description
1	530015814	Screw
2	545150502	Assembly - engine cover
3	530015880	Screw
4	545134001	Shield - baffle
5	545099101	Baffle
6	545052401	Hub
7	545052501	Spring - pulley
8	545050407	Kit - starter pulley (incl. 6, 7)
9	545054901	Spring - starter
10	545152901	Handle - starter
11	545050416	Kit - rope
12	545107101	Tube - starter rope
13	545138601	Handle - rh
14	545081830	Kit - switch (incl. 15)
15	545128201	Protector - switch
16	545137701	Grommet
17	545116201	Nut - lock
18	530015814	Screw
19	545111501	Ratchet - cruise control
20	530015147	Washer - wave
21	545081867	Kit - cruise control (incl. 18, 19, 20)
22	545144901	Trigger - throttle
23	545138801	Handle - lh
24	530016406	Screw
25	530015814	Screw
26	545139001	Door - vac
27	545115601	Spirng - vac door
28	545144501	Knob - blower tube
29	530015940	Screw - handle vac
30	545152501	Assembly - scroll lh (incl. 26, 27)
31	545120701	Blade - mulch
32	545113601	Assembly - impeller
33	545113701	Spacer - flywheel
34	530015197	Nut - blower knob
35	530016386	Screw
36	545161608	Assembly - scroll rh
37	545138501	Handle - vac
38	545100401	Assembly - fuel tank (incl. 39, 40, 41, 42)
39	530095646	Assembly - fuel pickup
40	530069247	Kit - fuel line (carb/purge)
41	530069216	Kit - fuel line (tank/purge)
42	530057973	Assembly - fuel cap with retainer
43	530016445	Screw - fuel tank retainer
Not In Diag	545154697	Operator manual
Not In Diag	545136303	Decal - start instruction
Not In Diag	545001245	Decal - warning

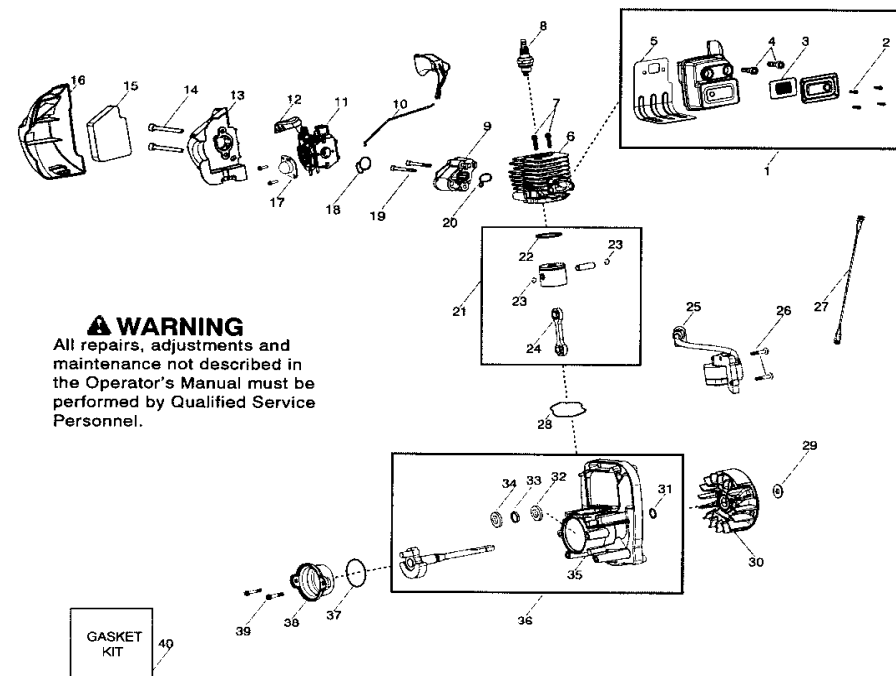


WARNING
 All repairs, adjustments and maintenance not described in the Operator's Manual must be performed by Qualified Service Personnel.

9/07

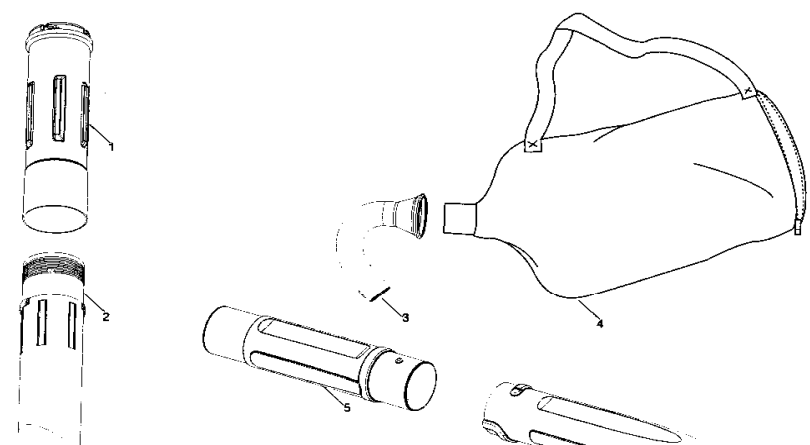
CYLINDER/CRANKSHAFT/MUFFLER

#	Part #	Description
1	545090001	Assembly - muffler (incl. 2, 3, 4, 5)
2	530015241	Screw
3	545081845	Kit - spark screen
4	530058982	Bolt - muffler
5	545081832	Gasket - muffler (gasket kit)
6	545115301	Cylinder
7	530015953	Bolt
8	952030249	Accy - spark plug (rcj-6y)
9	545084901	Adapter - carb.
10	545115501	Linkage - throttle
11	545081857	Kit - carb. assembly (c1u-w43)(incl. 12, 17)
12	545157104	Lever - choke
13	545139301	Base - airbox
14	530016429	Screw
15	545146501	Filter
16	545139201	Cover - air box filter
17	530058709	Bulb - purge
18	545081832	O-ring (carb/adaptor)(gasket kit)
19	530016441	Screw
20	545081832	O-ring (adapter/cyl.)(gasket kit)
21	545081864	Kit - piston/connecting rod (incl. 22,23,24)
22	530012472	Ring - piston
23	530015162	Retainer - wrist pin
24	545081865	Kit - assembly connecting rod
25	545158001	Module - ignition
26	530016357	Screw
27	545127601	Assembly - wire harness
28	545081832	O-ring seal - crankcase (kit)
29	530015828	Washer
30	530054115	Assembly - flywheel
31	530015941	Retainer - crankshaft
32	530055728	Bearing - outer
33	530019264	Seal
34	530032125	Bearing - inner
35	530012582	Assembly - crankcase (incl. 32,33,34)
36	545102102	Assembly - crankcase/crankshaft (incl. 31,35)
37	545081832	O-ring (rear plug)(gasket kit)
38	530057954	Assembly - rear plug (incl. 37)
39	530016386	Screw
40	545081832	Kit - gasket (incl. 5,18,20,28,37)
Not In Diag	545154697	Operator manual
Not In Diag	545136303	Decal - start instruction
Not In Diag	545001245	Decal - warning



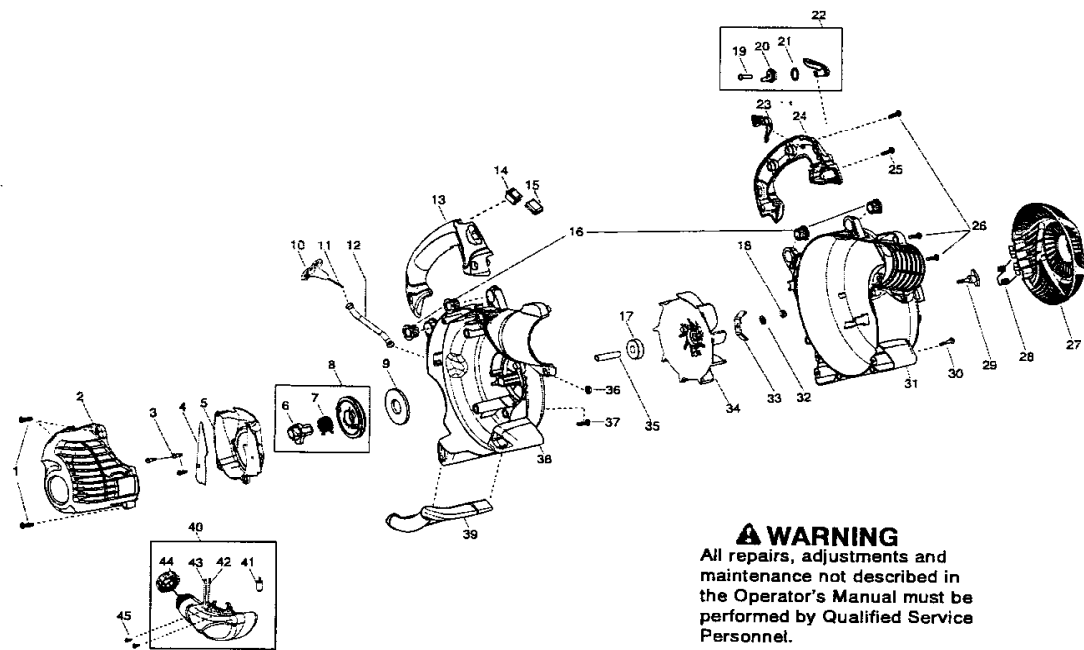
VAC BAG/TUBE

#	Part #	Description
1	545099401	Tube - upper vac
2	530095589	Tube - lower vac
3	545139501	Tube - j
4	530095564	Assembly - vac bag
5	545138001	Tube - upper blower
6	545138101	Tube - lower blower
7	545151201	Nozzle - high speed
Not In Diag	545154697	Operator manual
Not In Diag	545136303	Decal - start instruction
Not In Diag	545001245	Decal - warning



FUEL TANK/STARTER PULLEY

#	Part #	Description
1	530015814	Screw
2	545150502	Assembly-engine cover
3	530015880	Screw
4	545134001	Shield-baffle
5	545099101	Baffle
6	545052401	Hub
7	545052501	Spring-pulley
8	545050407	Kit-starter pulley (incl. 6,7)
9	545054901	Spring-starter
10	545152901	Handle-starter
11	545050416	Kit-rope
12	545107101	Tube-starter rope
13	545138601	Handle-rh
14	545081830	Kit-switch (incl. 15)
15	545128201	Protector-switch
16	545137701	Grommet
17	545099001	Bearing
18	530626605	Nut
19	530015814	Screw
20	545111501	Ratchet-cruise control
21	545173101	Washer-wave
22	545081867	Kit-cruise control (incl. 19,20,21)
23	545144901	Trigger-throttle
24	545138801	Handle-lh
25	530016406	Screw
26	530015814	Screw
27	545139001	Door-vac
28	545115601	Spring-vac door
29	545144501	Knob-blower tube
30	530015940	Screw-handle vac
31	545152501	Assembly-scroll lh (incl. 27,28)
32	530016402	Washer-spring
33	545120701	Blade-mulch
34	545113601	Assembly-impeller
35	545113701	Spacer-flywheel



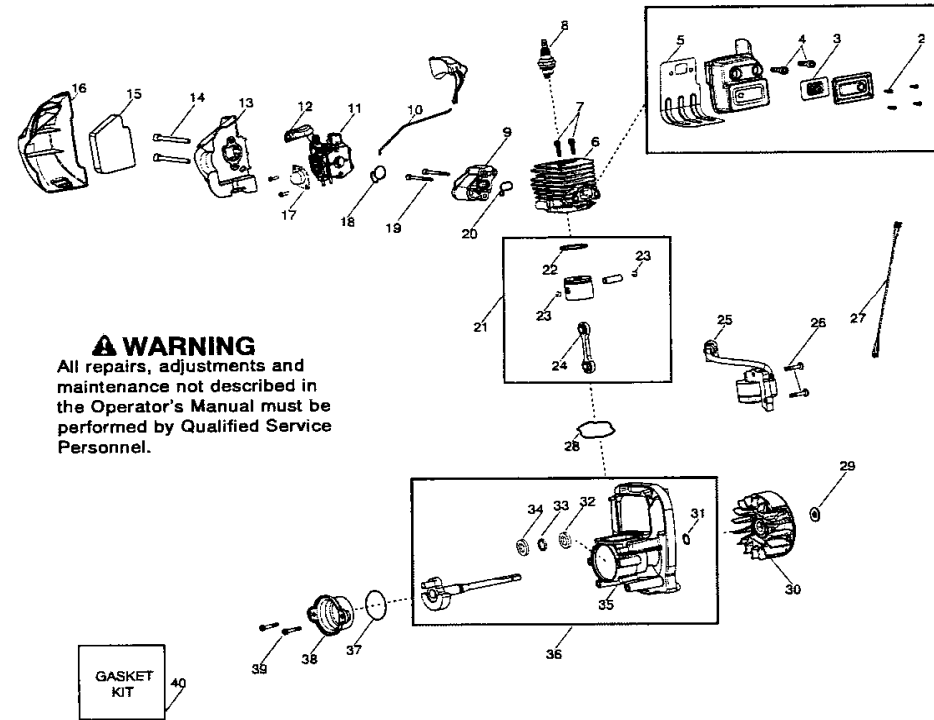
WARNING
 All repairs, adjustments and maintenance not described in the Operator's Manual must be performed by Qualified Service Personnel.

- 36 530015197 Nut-blower knob
- 37 530016386 Screw
- 38 545161608 Assembly-scroll rh (incl. 17)
- 39 545138501 Handle-vac
- 40 545100401 Assembly-fuel tank (incl. 41,42,43,44)
- 41 530095646 Assembly-fuel pickup
- 42 530069247 Kit-fuel line (carb/purge)
- 43 530069216 Kit-fuel line (tank/purge)
- 44 530057973 Assembly-fuel cap with retainer
- 45 530016445 Screw-fuel tank retainer

- Not In Diag 545154697 Operator manual
- Not In Diag 545042802 Decal-start instruction
- Not In Diag 545001245 Decal-warning

CYLINDER/CRANKSHAFT/MUFFLER

#	Part #	Description
1	545090001	Assembly-muffler (incl. 2,3,4,5)
2	530015241	Screw
3	545081845	Kit-spark screen
4	530058982	Bolt-muffler
5	545081832	Gasket-muffler (gasket kit)
6	545115301	Cylinder
7	530015953	Bolt
8	N/P	Spark plug (rcj-6y) (champion)
9	545084901	Adapter-carb.
10	545115501	Linkage-throttle
11	545081857	Kit-carb. assembly (c1u-w43) (incl. 12,17)
12	545157104	Lever-choke
13	545139301	Base-airbox
14	530016429	Screw
15	545146501	Filter
16	545139201	Cover-air box filter
17	530058709	Bulb-purge
18	545081832	O-ring (carb/adaptor) (gasket kit)
19	530016441	Screw
20	545081832	O-ring (adapter/cyl.) (gasket kit)
21	545081864	Kit-piston/connecting rod (incl. 22,23,24)
22	530012472	Ring-piston
23	530015162	Retainer-wrist pin
24	545081865	Kit-assembly connecting rod
25	545158001	Module-ignition
26	530016357	Screw
27	545127601	Assembly-wire harness
28	545081832	O-ring seal-crankcase (kit)
29	530015828	Washer
30	530054115	Assembly-flywheel
31	530015941	Retainer-crankshaft
32	530055728	Bearing-outer
33	530019264	Seal
34	530032125	Bearing-inner
35	530012582	Assembly-crankcase (incl. 32,33,34)
36	545102102	Assembly-crankcase/crankshaft (incl. 31,35)
37	545081832	O-ring (rear plug)(gasket kit)
38	530057954	Assembly-rear plug (incl. 37)
39	530016386	Screw
40	545081832	Kit-gasket (incl. 5,18,20,28,37)



GASKET KIT 40

Not In Diag 545154697 Operator manual
Not In Diag 545042802 Decal-start instruction
Not In Diag 545001245 Decal-warning

VACUUM BAG/TUBE

#	Part #	Description
1	545099401	Tube-upper vac
2	530095589	Tube-lower vac
3	545139501	Tube-j
4	545138001	Assembly-vac bag
5	545138001	Tube-upper blower
6	545138101	Tube-lower blower
7	545151201	Nozzle-high speed
Not In Diag	545154697	Operator manual
Not In Diag	545042802	Decal-start instruction
Not In Diag	545001245	Decal-warning

