



Count on it.

Parts Catalog

Power Max 826 O Snowthrower

Model No. 38597—Serial No. 313000001 and Up



Ordering Replacement Parts

To order replacement parts, please supply the part number, the quantity, and the description of each part desired.

Understanding Reference Numbers

Each identified part in an illustration has a reference number. The reference number for a part also appears in the parts list, along with other information about the part.

This catalog uses two special reference number formats, one to indicate parts in a service assembly and another to indicate the quantity of a given part in an illustration.

Service Assembly Reference Numbers

Parts in service assemblies have reference numbers in the form a:b. The a represents the reference number of the entire service assembly and the b represents a sequential number unique to each part within the service assembly.

For example, a wheel assembly might be identified by reference number 6, the tire by 6:1, the valve by 6:2, and the wheel by 6:3. When you order the assembly identified by reference number 6, you receive all parts identified by reference numbers 6:1, 6:2, and 6:3. However, you may also order any part individually. Reference numbers of this type appear in illustration and in parts lists.

Reference Numbers Indicating Quantity

In an illustration, if a reference number indicates more than one part, the reference number has the form nX y. The n represents the quantity of the part, the X is the multiplication symbol, and the y represents the reference number.

For example, in an illustration, the reference number 2X 37 means that two of the parts identified by reference number 37 are indicated.

List of Abbreviations

AR: as required

ASM: assembly

BBC: blade brake control

BHTF: button head thread forming

CARR: carriage

CCW: counter clockwise

CW: clockwise

DEG: degrees

DPA: Dual Point Adjustment

ECM: electronic control module

EXT: external

FH: flat head

GA: gauge

HD: heavy-duty

HF: hex flange

HH: hex head

HHF: hex head flange

HHFTF: hex head flange thread forming

HJ: hex jam

HLH: hex lag head

HOC: height-of-cut

HSBH: hex socket button head

HSFH: hex socket flat head

HSH: hex socket head

HWH: hex washer head

HWHTF: hex washer head thread forming

HYD: hydraulic

LH: left hand

LPG: Liquid Propane Gas

NI: nylon insert

NPTF: national pipe thread fine

PFH: phillips flat head

PPH: phillips pan head

PPHTF: phillips pan head thread forming

PRH: phillips round head

PTH: phillips truss head

PTO: power-take-off

RH: right hand

ROPS: roll-over protection system

RRB: rear roller brush

SFH: slotted fillister head

SHH: slotted hex head

SHWH: slotted hex washer head

SPH: slotted pan head

SQH: square head

SRH: slotted round head

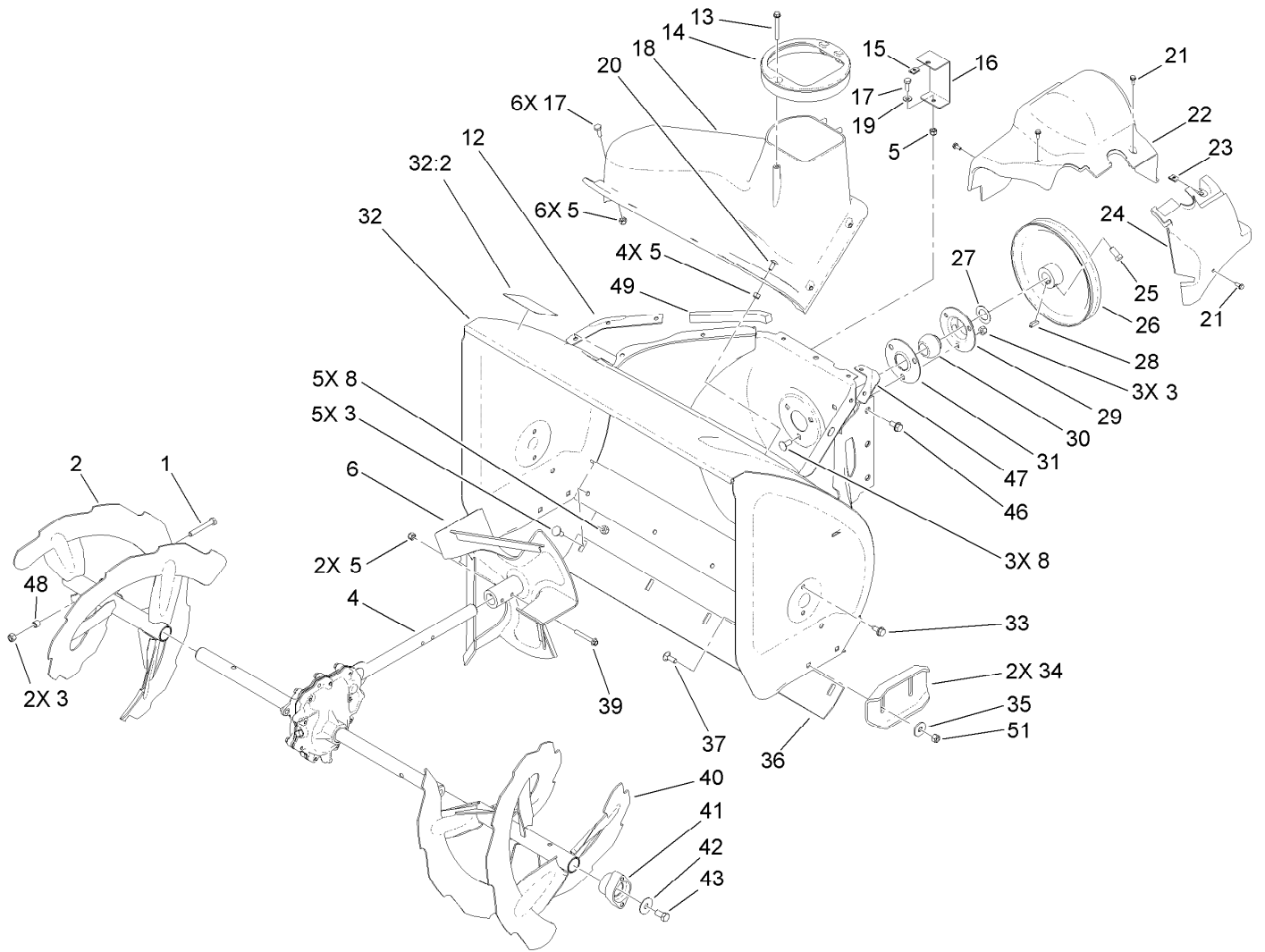
STD: standard

TAP: self tapping

TTH: torx truss head

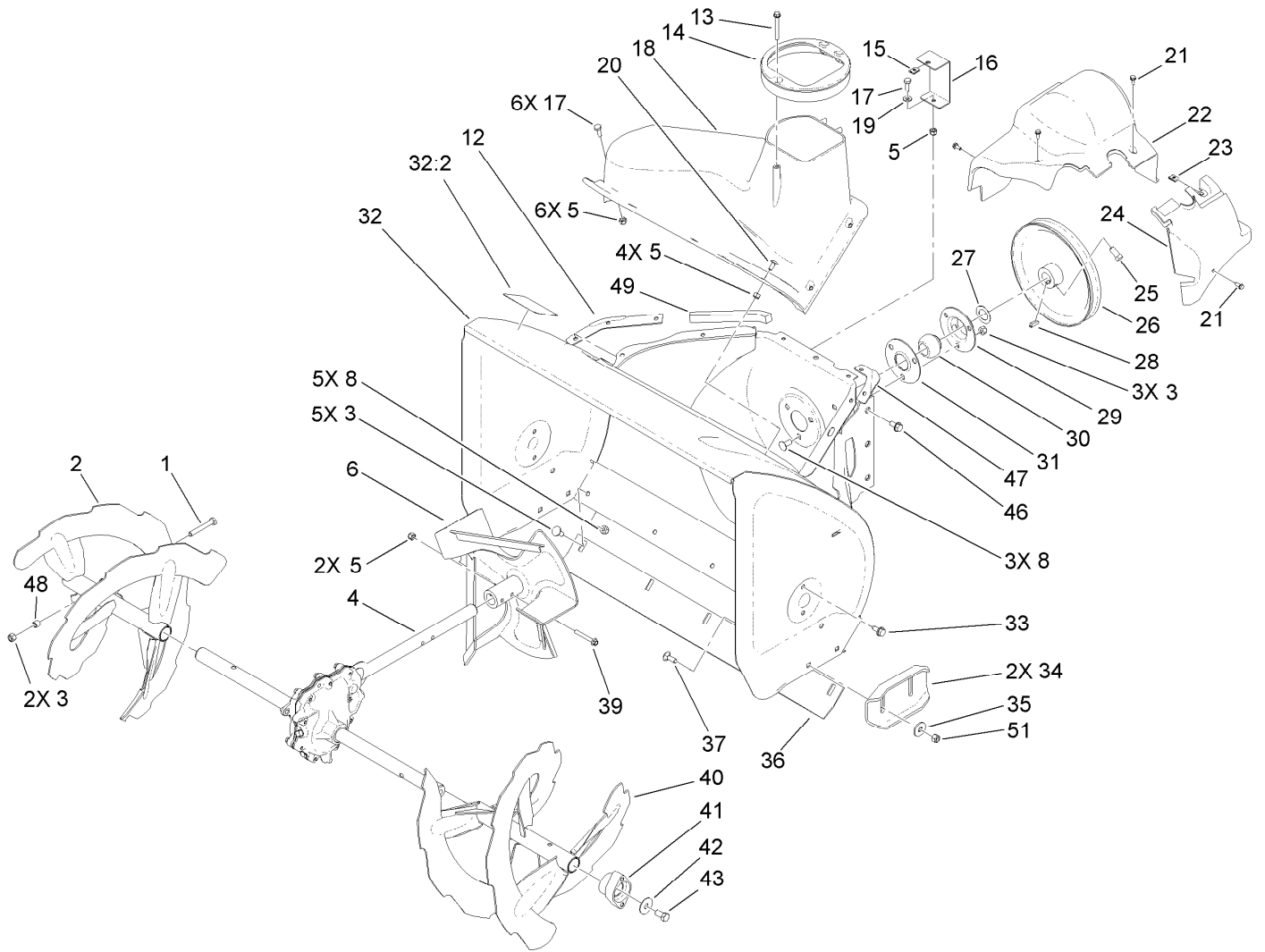
Contents

Auger and Housing Assembly	4
26 Inch Auger Gearcase Assembly No. 108-7328	6
Chute Assembly	7
Axle and Chain Drive Assembly	8
Frame Assembly	9
Control Assembly	11
Handle Assembly	12
Chute Control Lever Assembly	13
Engine Assembly	14
Attachments and Accessories	15



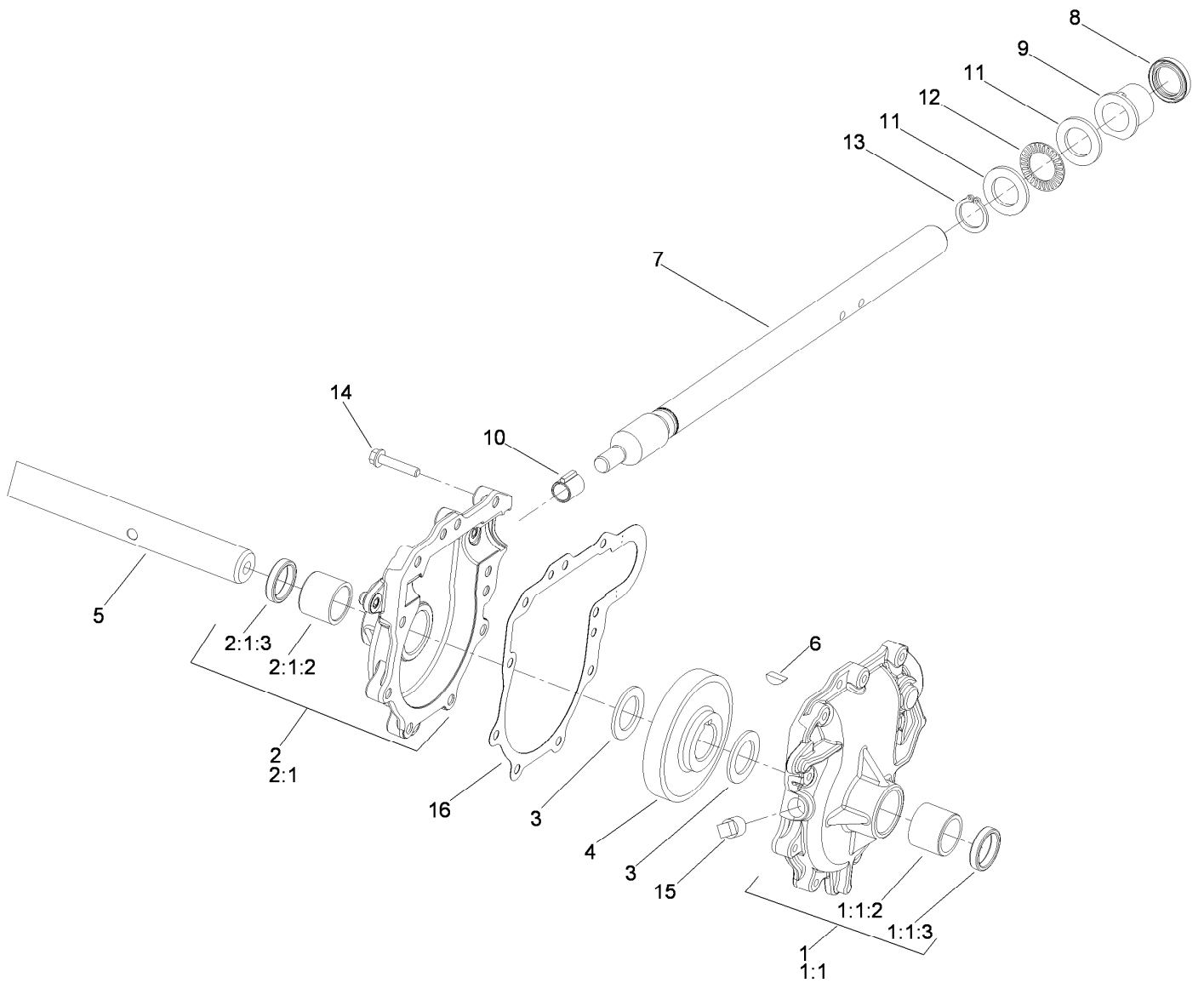
Auger and Housing Assembly

Ref.	Part Number	Qty.	Description	Ref.	Part Number	Qty.	Description
1	322-11	2	Screw-HH	25	3242-4	2	Screw-Set, SQH
2	106-7289-03	1	RH Auger ASM	26	62-1300	1	Pulley-Impeller
3	3296-29	10	Nut-Lock, NI	27	252-80	1	Washer-Thrust
4	108-7328	1	26 Inch Auger Gearcase ASM	28	3257-23	1	Key-Woodruff
5	3296-42	13	Nut-Lock, NI	29	26-6110	1	Flange-Cup, Bearing
6	106-4576-03	1	Impeller ASM	30	63-3450	1	Bearing-Ball
8	3230-23	8	Screw-CARR	31	26-6120	1	Flange-Cup, Bearing
12	107-1017-03	1	Seal-Flange, Cover	32	107-3822	1	Housing-Auger, 26 Inch
13	107-3003	1	Screw-Plastite	32:2	107-3040	1	Decal-Danger, Auger
14	107-3006	1	Guide-Chute	33	32144-70	4	Screw-HWHTF
15	107-1013	1	Nut-Speed, U-Type	34	106-4588-01	2	Skid
16	107-1014-03	1	Bracket-Cover, Clip Nut	35	52-2861	4	Washer
17	321-4	7	Screw-HH	36	105-9976-01	1	Scraper-Fixed
18	108-0017	1	Cover	37	3230-16	4	Screw-CARR
19	3256-22	1	Washer-Flat	39	321-11	2	Screw-HH
20	3229-1	4	Bolt-CARR	40	106-7299-03	1	LH Auger ASM
21	32144-112	4	Screw-HWH	41	106-4570	2	Auger-Bearing
22	119-1563	1	Cover-Belt	42	3-0750	2	Washer
23	701493	1	Nut-Speed	43	323-4	2	Screw-HH
24	107-1016	1	Cover-Extension, Belt	46	32144-14	6	Screw-HWHTF
				47	108-0039-03	1	Seal



Auger and Housing Assembly (continued)

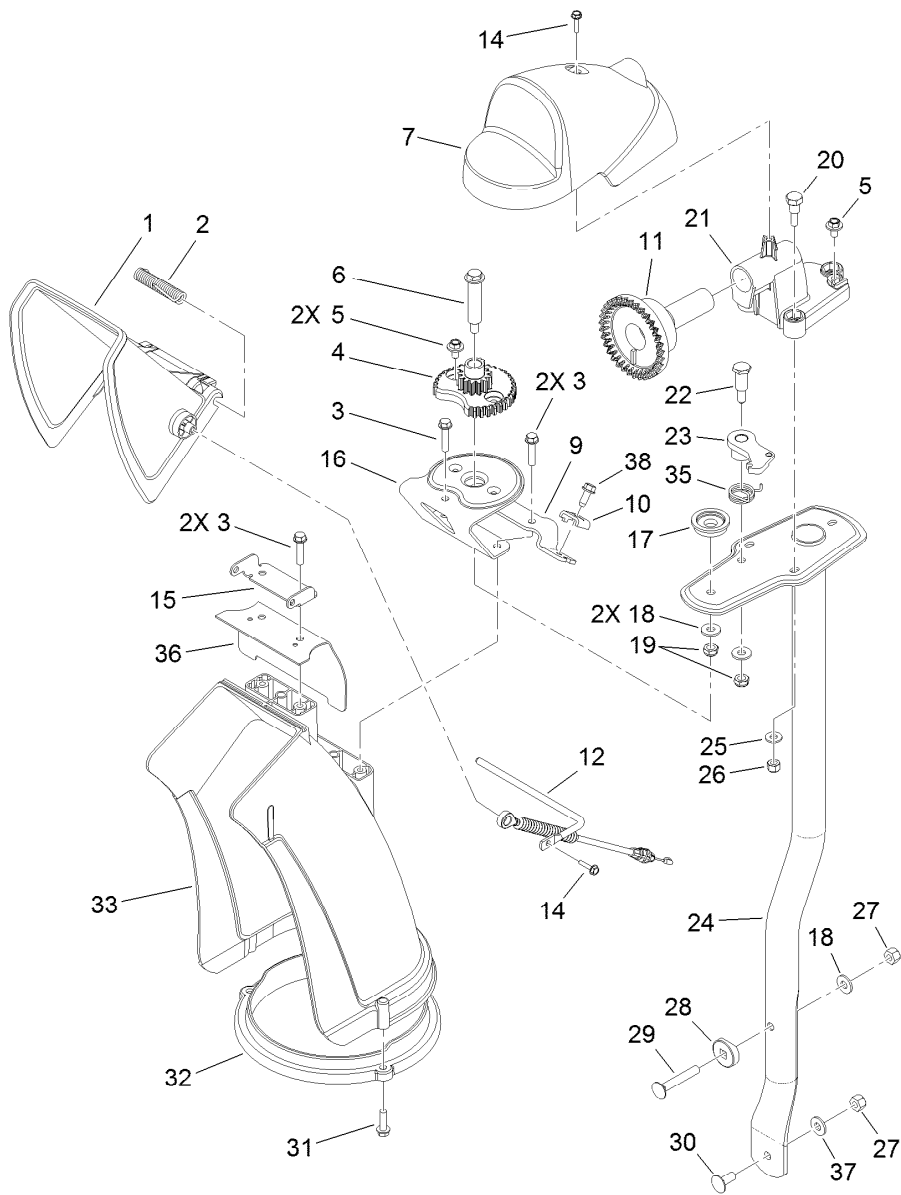
<i>Ref.</i>	<i>Part Number</i>	<i>Qty.</i>	<i>Description</i>	<i>Ref.</i>	<i>Part Number</i>	<i>Qty.</i>	<i>Description</i>
48	1-633545	2	Spacer	49	120-0124	1	Seal-Housing
				51	104-8300	4	Nut-Flange, NI



26 Inch Auger Gearcase Assembly No. 108-7328

Ref.	Part Number	Qty.	Description	Ref.	Part Number	Qty.	Description
1	108-7325	1	LH Auger Gearcase ASM	6	3257-10	1	Key-Woodruff
1:1		1	Gearcase-Auger, LH ●	7	66-7811	1	Shaft-Impeller
1:1:2	112-6635	1	Bushing-Sleeve	8	253-149	1	Seal-Oil
1:1:3	7-0045	1	Seal-Oil	9	37-6560	1	Bushing-Input
2	108-7327	1	RH Auger Gearcase ASM	10	62-1150	1	Bushing-Worm
2:1		1	Gearcase-Auger, RH ●	11	252-78	2	Washer-Thrust
2:1:2	112-6635	1	Bushing-Sleeve	12	252-76	1	Bearing-Thrust
2:1:3	7-0045	1	Seal-Oil	13	32151-33	1	Ring-Retaining, EXT
3	252-71	2	Washer-Thrust	14	108-4862	9	Screw-HWHTF
4	62-0120	1	Gear-Helical	15	281-1	1	Plug-Pipe, SQH
5	106-4579	1	Shaft-Auger	16	108-7330	1	Gasket-Gearcase, Auger

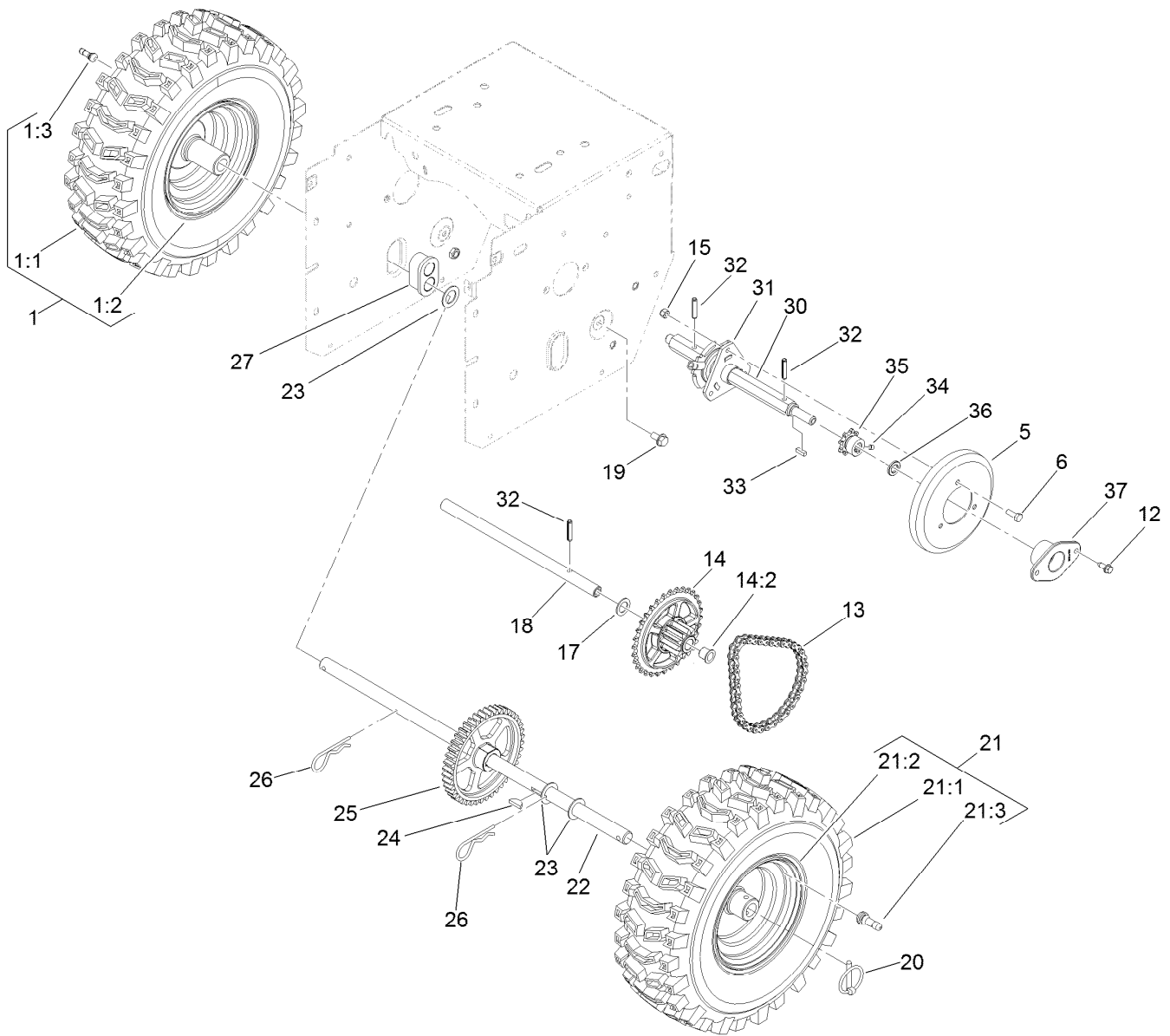
● Not serviced separately



Chute Assembly

Ref.	Part Number	Qty.	Description
1	112-6629	1	Deflector-Chute, Ce
2	106-4594	1	Spring-Torsion
3	46-8092	5	Screw-Plastite
4	106-4472	1	Gear-Chute
5	46-6810	3	Screw And Washer ASM
6	100-9880	1	Bolt-Shoulder
7	106-4585	1	Cover-Gear, Chute
9	106-7296	1	Bracket-Cable, Clamp
10	106-7297	1	Clamp-Cable
11	106-4471	1	Gear-Face
12	107-1021	1	Rod-Deflector
14	98-1375	2	Screw-HWH
15	106-7266	1	Bracket-Deflector
16	106-4582-03	1	Bracket-Support, Chute
17	106-4422	1	Spacer-Chute
18	3256-2	3	Washer-Flat
19	3296-47	2	Nut-Lock, NI
20	106-7276	3	Screw-Shoulder

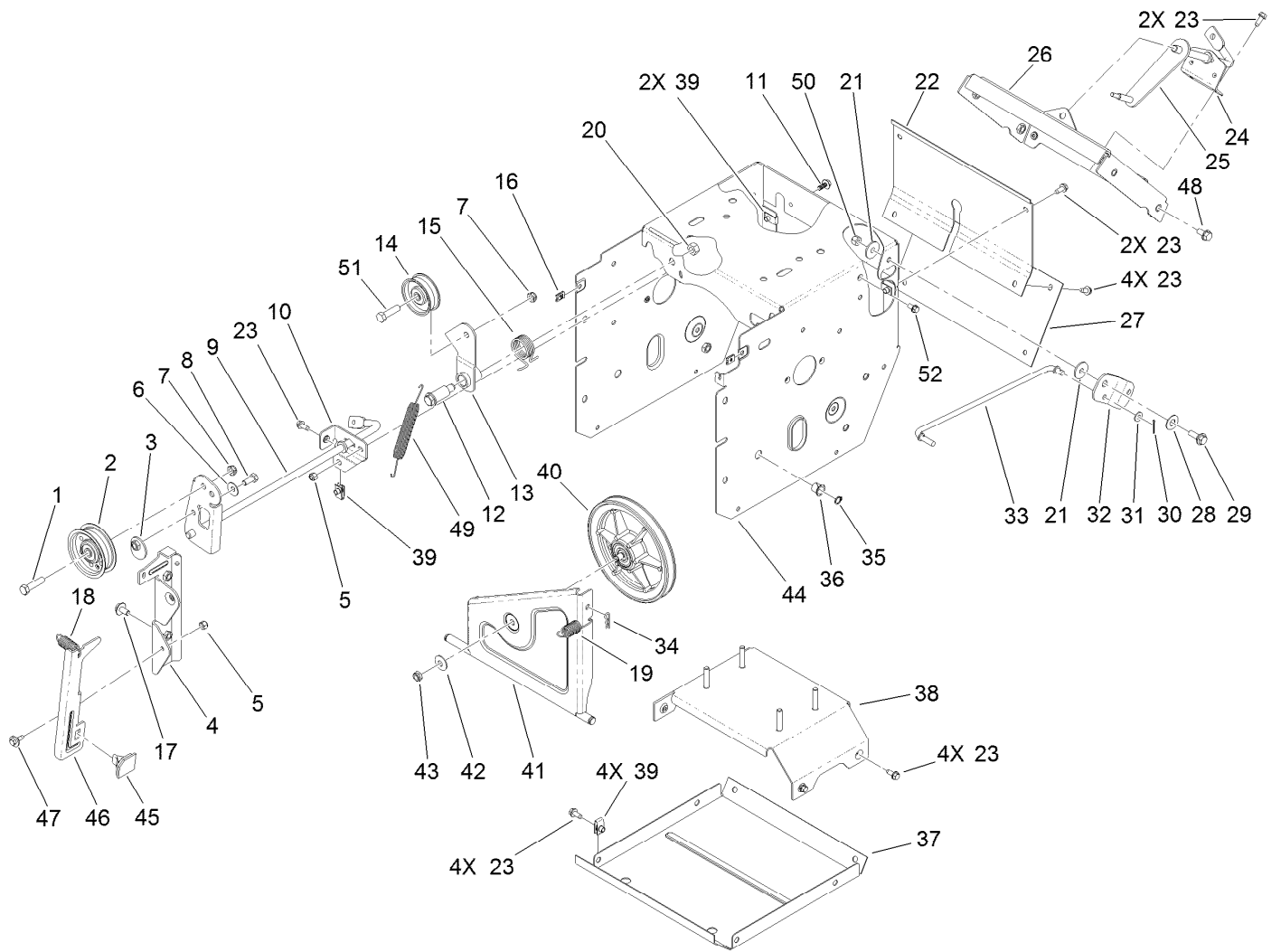
Ref.	Part Number	Qty.	Description
21	106-7257	1	Mount-Gear, Face
22	63-2650	1	Screw-Shoulder
23	106-4476	1	Latch-Chute
24	106-7253-03	1	Tube-Support
25	3256-22	3	Washer-Flat
26	3296-42	3	Nut-Lock, NI
27	3296-29	2	Nut-Lock, NI
28	106-7260	1	Washer-Curved
29	3230-5	1	Screw-CARR
30	3230-23	1	Screw-CARR
31	46-8091	3	Screw-HWH
32	105-9991	1	Ring-Chute
33	106-4440	1	Chute-Discharge
35	108-7315	1	Spring-Torsion
36	108-5052	1	Seal-Chute
37	3290-456	1	Washer-Belleville
38	32144-10	1	Screw-HWH



Axle and Chain Drive Assembly

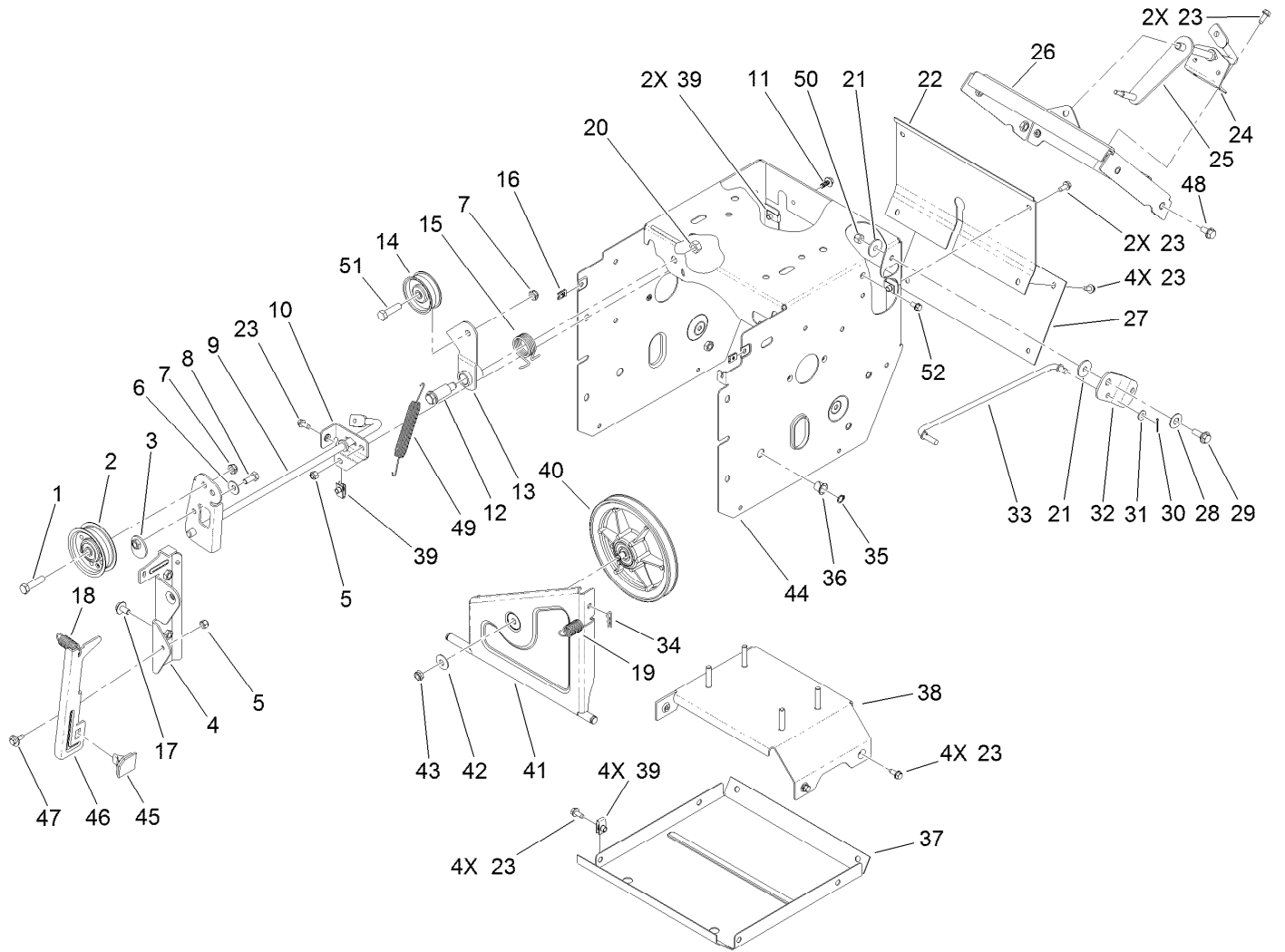
Ref.	Part Number	Qty.	Description	Ref.	Part Number	Qty.	Description
1		1	RH Wheel And Tire ASM ●	21:1	107-3042	1	Tire
1:1	107-3042	1	Tire	21:2	107-3043	1	Rim-Tire
1:2	107-3043	1	Rim-Tire	21:3	232-27	1	Stem-Valve
1:3	232-27	1	Stem-Valve	22	106-4449	1	Shaft-Axle
5	119-1567	1	Wheel-Friction	23	3-8664	3	Washer-Thrust
6	321-4	3	Screw-HH	24	3257-7	1	Key-Woodruff
12	32144-10	4	Screw-HWH	25	106-4572	1	Gear-Axle, 44 Tooth
13	108-0016	1	Chain-Roller	26	3290-343	2	Pin-Hair
13	2710-6	1	Link-Connecting	27	106-4558	2	Bearing-Axle
14	108-0013	1	Sprocket ASM	30	108-5054	1	Shaft-Hex
14:2	108-2974	2	Bushing-Flange	31	106-4434	1	Trunnion-Hex
15	3296-42	3	Nut-Lock, NI	32	32121-9	3	Pin-Roll, Slotted
17	107-3041	1	Washer-Flat	33	94-8850	1	Key-Square
18	106-4592	1	Shaft-Intermediate	34	3245-32	2	Screw-HSH
19	32144-14	2	Screw-HWHTF	35	106-7317	1	Sprocket-8 Tooth
20	107-3039	2	Klik Pin ASM	36	108-5059	1	Spacer-Bushing
21		1	LH Wheel And Tire ASM ●	37	108-7319	2	Retainer-Bearing

● Not serviced separately



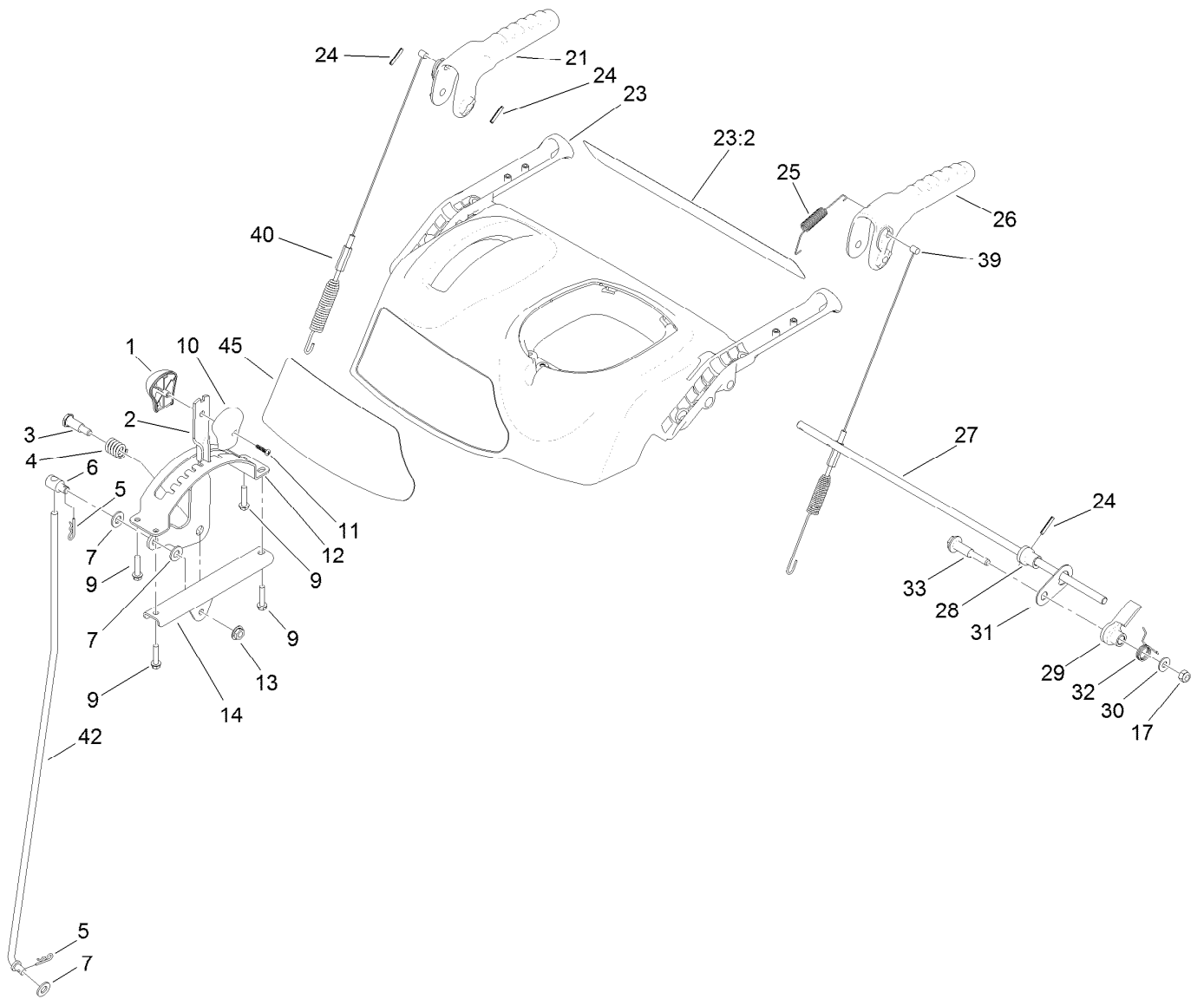
Frame Assembly

Ref.	Part Number	Qty.	Description	Ref.	Part Number	Qty.	Description
1	323-8	1	Screw-HH	22	106-4556-01	1	Cover-Upper
2	92-7104	1	Pulley-Idler	23	32144-10	17	Screw-HWH
3	107-1047	1	Nut	24	108-0036	1	Bracket-Rod, Shift
4	107-1039	1	Bracket-Idler, Impeller	25	106-7268	1	Lever-Control, Traction
5	3296-42	2	Nut-Lock, NI	26	108-0026-01	1	Shift Plate ASM
6	3290-456	1	Washer-Belleville	27	106-7345-01	1	Cover-Lower
7	3296-59	2	Nut-Lock, NI	28	25-5640	1	Washer
8	322-3	1	Screw-HH	29	27-0410	1	Screw-Shoulder
9	107-3838-03	1	Impeller Clutch ASM	30	3272-4	1	Pin-Cotter
10	120-9824	1	Bracket-Impeller, Clutch	31	3256-23	1	Washer-Flat
11	99-6810	1	Screw-HH	32	107-1011	1	Bellcrank-Drive
12	108-5056	1	Bolt-Shoulder	33	106-4467	1	Link-Control, Speed
13	108-5058	1	Arm-Idler, Traction	34	3290-307	1	Pin-Hair
14	3-4244	1	Pulley-Idler	35	32151-61	2	Ring-Retaining
15	108-7332	1	Spring-Torsion	36	256-257	2	Bushing-Nyliner
16	107-1013	2	Nut-Speed, U-Type	37	106-7330-01	1	Pan-Bottom
17	3234-7	2	Screw-HHF	38	112-8128	1	Frame Brace ASM
18	107-1045	1	Spring-Extension	39	107069	8	Clip
19	107-1003	1	Spring-Extension	40	108-0031	1	Traction Pulley ASM
20	3296-76	1	Nut-Lock, NI	41	108-7307	1	Friction Wheel Bracket ASM
21	5-4460	2	Washer-Pivot	42	3290-340	1	Washer-Belleville



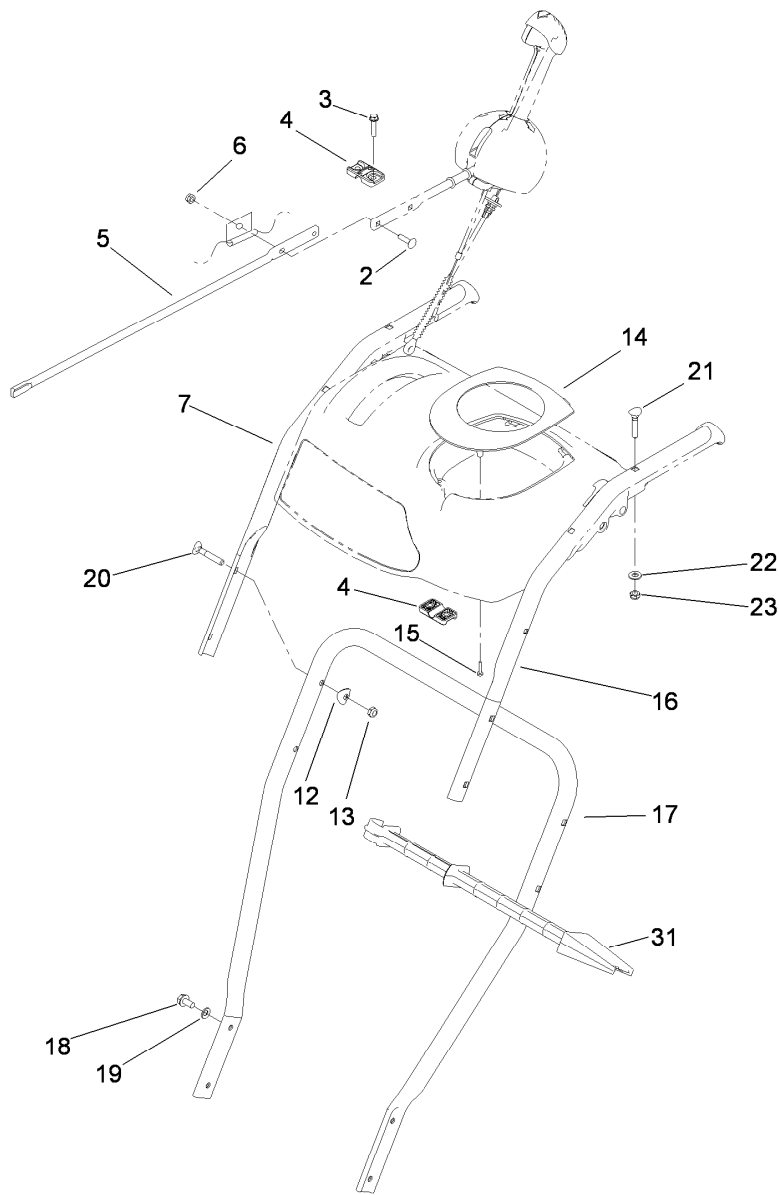
Frame Assembly (continued)

<i>Ref.</i>	<i>Part Number</i>	<i>Qty.</i>	<i>Description</i>	<i>Ref.</i>	<i>Part Number</i>	<i>Qty.</i>	<i>Description</i>
43	3296-5	1	Nut-Lock	48	32144-14	4	Screw-HWHTF
44	120-9832-01	1	Traction Frame ASM	49	108-2976	1	Spring-Extension
45	66-8060	1	Pad-Brake	50	3296-29	1	Nut-Lock, NI
46	107-1000	1	Arm-Brake	51	323-29	1	Screw-HH
47	92-9698	1	Screw-Shoulder	52	32144-4	1	Screw-HWH



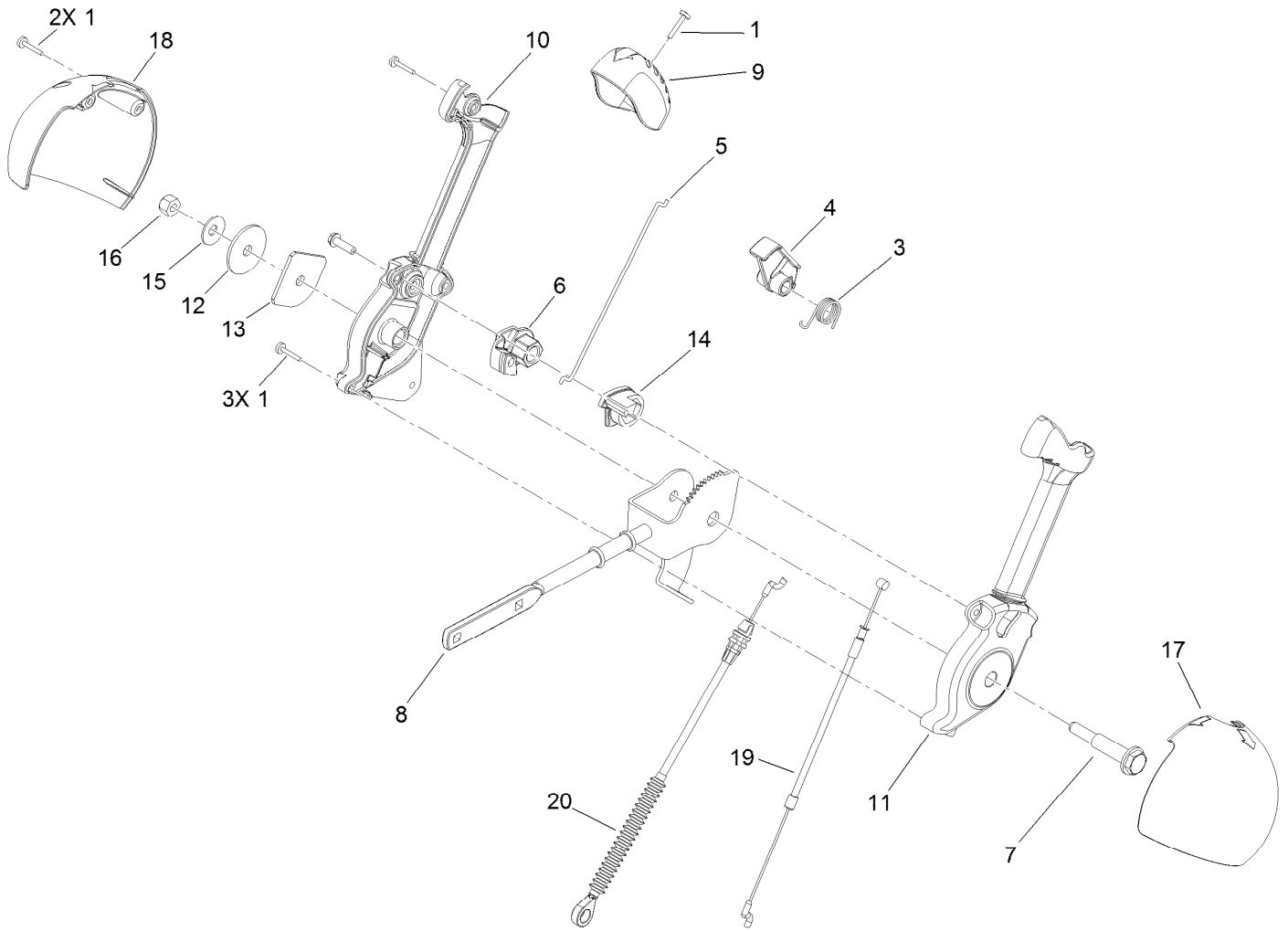
Control Assembly

Ref.	Part Number	Qty.	Description	Ref.	Part Number	Qty.	Description
1	106-4423	1	Knob-Shift, RH	23:2	112-6626	1	Decal-Panel, Control
2	106-7278-03	1	Selector-Speed	24	32121-125	3	Pin-Spring
3	63-2650	1	Screw-Shoulder	25	107-3001	1	Spring-Tension
4	108-7313	1	Spring-Compression	26	106-4410	1	Lever-Traction
5	3290-307	2	Pin-Hair	27	105-9996	1	Rod-Lockout
6	110-3446	1	Trunion-Rod	28	107-1043	1	Cam-Lockout
7	3256-24	3	Washer-Flat	29	108-0023	1	Latch-Lockout
9	46-8092	4	Screw-Plastite	30	98-3499	1	Washer-Flat
10	105-9999	1	Knob-Shift, LH	31	107-3000	1	Link-Lockout
11	94-4496	1	Screw-PPH	32	108-0024	1	Spring-Torsion
12	106-7277-03	1	Guide-Selector, Speed	33	106-4412	1	Screw-Shoulder
13	32128-13	1	Nut-HHF	39	120-0132	1	Cable-Traction
14	106-7279-03	1	Mount-Selector, Speed	40	115-5680	1	Cable-Auger
17	3296-72	1	Nut-Lock, NI	42	107-1005	1	Rod-Shift
21	106-4413	1	Lever-Auger	45	115-5662	1	Decal
23	112-6631	1	Control Panel ASM				



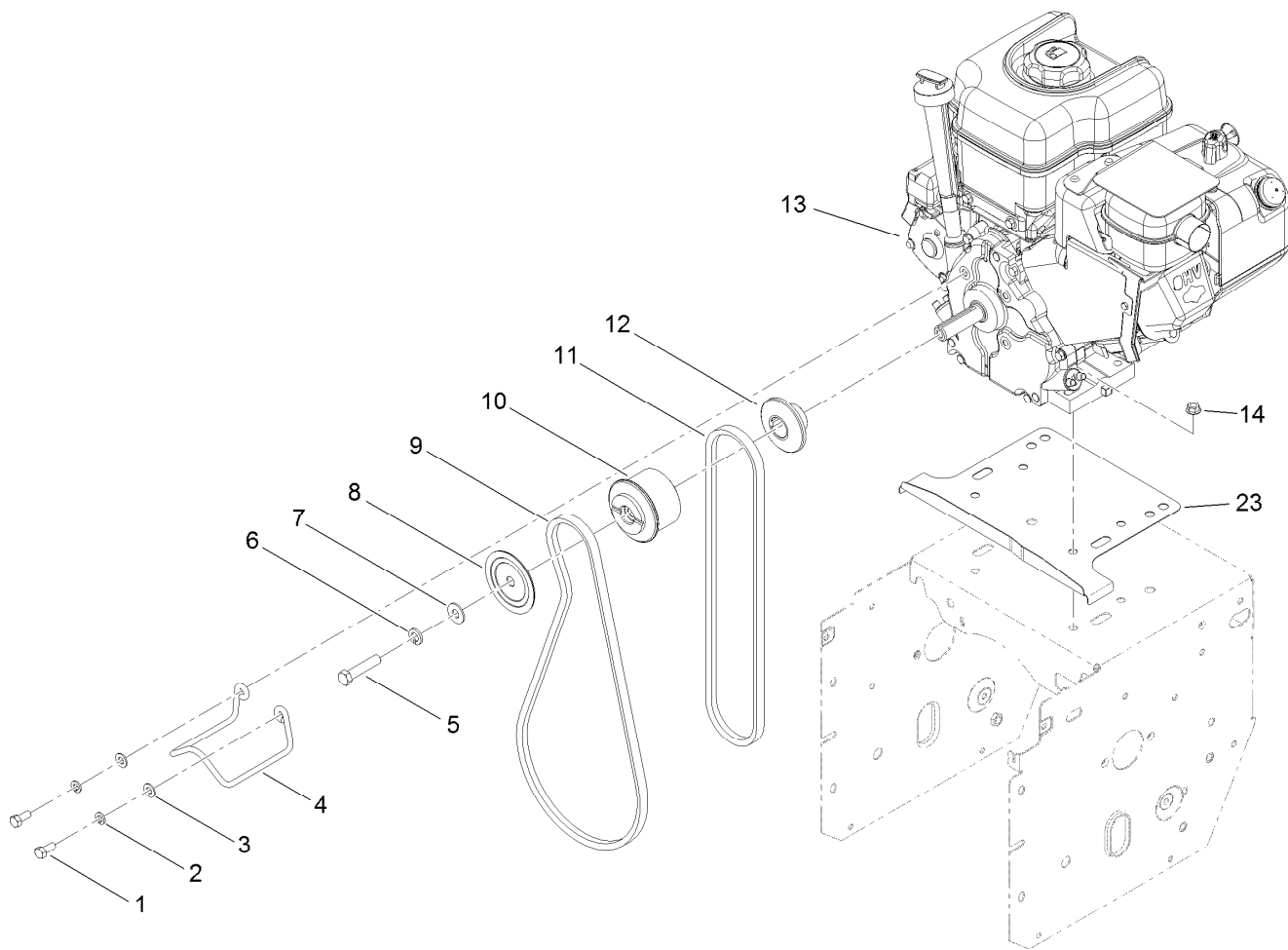
Handle Assembly

<i>Ref.</i>	<i>Part Number</i>	<i>Qty.</i>	<i>Description</i>	<i>Ref.</i>	<i>Part Number</i>	<i>Qty.</i>	<i>Description</i>
2	3229-30	2	Screw-CARR	16	108-0037-03	1	Handle-Upper, LH
3	46-8092	2	Screw-Plastite	17	105-9981-03	1	Handle-Lower
4	105-9987	2	Support-Rod	18	32144-14	4	Screw-HWHTF
5	106-7283	1	Rod-Chute, Front	19	3290-475	4	Washer-Belleville
6	3296-73	2	Nut-Lock, NI	20	92-2260	4	Screw-Handle
7	108-0038-03	1	Handle-Upper, RH	21	107-3018	4	Screw-Handle
12	107-3844	4	Washer	22	3256-70	4	Washer-Flat
13	3296-72	4	Nut-Lock, NI	23	3296-72	4	Nut-Lock, NI
14	106-4586	1	Cover-Panel, Control	31	110-3408	1	Stick-Cleanout
15	94-4496	2	Screw-PPH				



Chute Control Lever Assembly

<i>Ref.</i>	<i>Part Number</i>	<i>Qty.</i>	<i>Description</i>	<i>Ref.</i>	<i>Part Number</i>	<i>Qty.</i>	<i>Description</i>
1	94-4496	6	Screw-PPH	12	107-3002	1	Washer-Nylon
3	105-9982	1	Spring-Torsion	13	106-7295	1	Plate-Friction
4	105-9984	1	Trigger-Latch	14	106-7310	1	Pawl-Latch
5	105-9985	1	Link-Latch	15	3290-456	1	Washer-Belleville
6	105-9988	1	Lever-Cable, Deflector	16	3296-29	1	Nut-Lock, NI
7	105-9995	1	Screw-Shoulder	17	105-9986	1	Cover-Chute Lever, LH
8	106-4479	1	Rod-Control, Chute	18	106-7292	1	Cover-Chute Lever, RH
9	106-7280	1	Cap-Lever	19	105-9989	1	Cable-Release, Chute
10	106-7281	1	Lever-Chute Control, RH	20	105-9990	1	Cable-Control, Deflector
11	106-7282	1	Lever-Chute Control, LH				



Engine Assembly

Ref.	Part Number	Qty.	Description
1	3210-3	2	Screw-HH
2	3253-4	2	Washer-Lock
3	3256-23	2	Washer-Flat
4	107-3835	1	Guide-Belt
5	3211-9	1	Screw-HH
6	3253-21	1	Washer-Lock
7	3256-24	1	Washer-Flat
8	112-8139	1	Sheave-Half, Impeller
9	106-4498	1	Belt-V
10	112-8117	1	Pulley-Engine, Center
11	94-8812	1	V Belt-Traction
12	112-8138	1	Sheave-Half, Traction
13		1	Engine-Briggs, 15C1020177F8 ● ■
14	32128-20	4	Nut-HF
23	117-6022-01	1	Shield-Drive

● Not serviced separately

■ Obtain parts from www.briggsandstratton.com

Attachments and Accessories

For 38597 Power Max 826 O Snowthrower

Product Name	Model/Part
Tire Chain Kit	107-3813
Snow Cab	107-3814
Weight Kit	107-3815
26in Drift Breaker	107-3816
Starter Kit.....	114-9273
Heavy-Duty Skid Kit, Power Max Snowthrower	125-1104



Count on it.