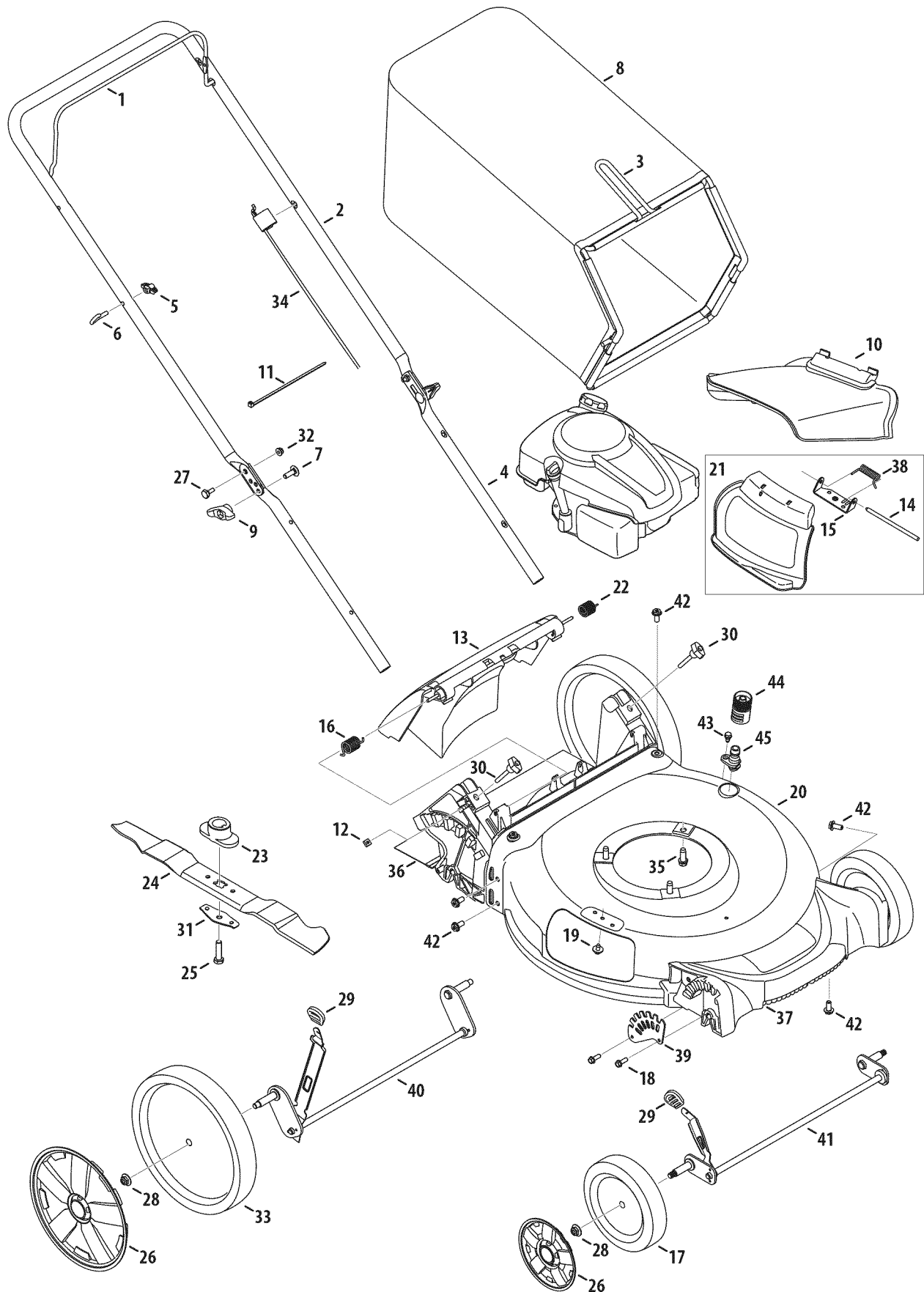


PARTS LIST

Craftsman Mower — Model No. 247.374320



PARTS LIST

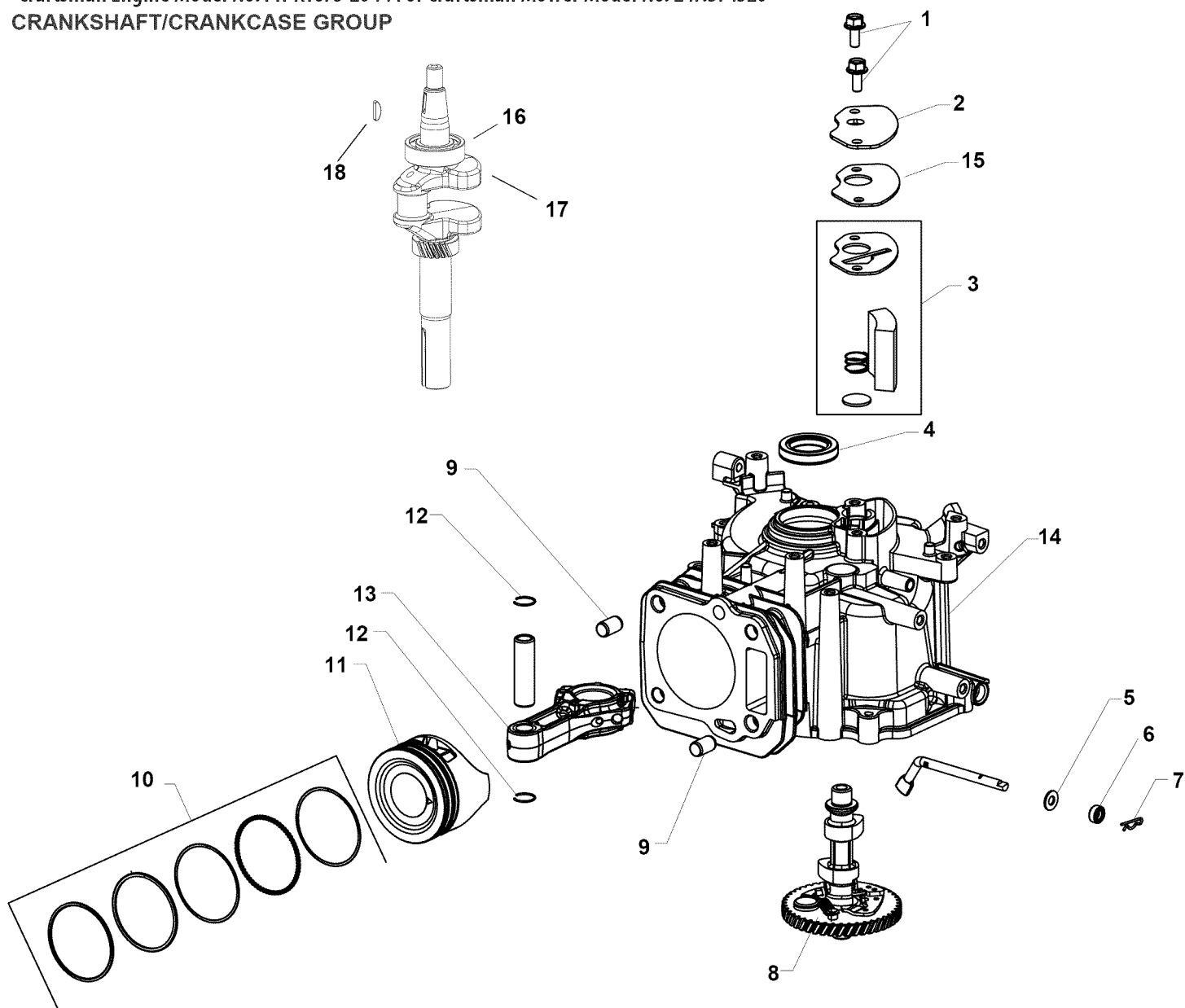
Craftsman Mower — Model No. 247.374320

Ref. No.	Part No.	Description
1	747-05184A	Blade Control
2	749-04681-0637	Upper Handle
3	747-05450	Grass Catcher Frame
4	749-04608A-0637	Lower Handle
5	720-0279	Wing Nut
6	710-1205	Rope Guide
7	710-04998	Carriage Screw ,5/16-18
8	964-04154	Grass Bag
9	720-04122	Wing Knob
10	731-07486	Side Chute
11	725-0157	Cable Tie
12	712-04222	Nut, Sq., 1/4-20
13	631-04369A	Rear Discharge Door Assembly
14	747-0710A	Hinge Pin
15	787-01779	Chute Deflector Bracket
16	732-04673	Torsion Spring - RH
17	634-04642	Wheel, 7 x 2
18	710-0895	Screw, 1/4-15 x .750
19	710-05073	Screw, 1/4-20 x .500
20	787-01874B-4044	Deck - 21"
21	987-02516	Hinged Mulch Plug Assembly
22	732-04674	Torsion Spring - LH
23	748-04096	Blade Adapter
24	942-0741A	Mulching Blade

Ref. No.	Part No.	Description
25	710-1044	Screw , 3/8-24 x 1.50
26	731-07531	Hub Cap - Front
	731-07533	Hub Cap - Rear
27	738-04419A	Sldr. Screw, .375 x .126 x 1/4-20
28	712-04217	Flange Lock Nut, 3/8-16
29	720-04130	Adjustment Lever Knob
30	720-04123B	Wing Nut
31	736-0524B	Blade Bell Support
32	712-04064	Nut, Flange Lock, 1/4-20
33	634-04630	Wheel, 11 x 2
34	946-1130	Control Cable
35	710-04683A	TT Screw, 3/8-16 x 1.0
36	731-07203	Trail shield
37	731-07174A	Front Cover
38	732-1014C	Torsion Spring
39	787-01818A-0637	Front Height Adjuster Plate
40	911-04144A	Rear Axle Assembly
41	911-04143B	Front Axle Assembly
42	710-04995A	Screw, 5/16-14 x .750
43	738-04278	Shldr. Screw, 1/4-20 x .50
44	921-04041	Water Nozzle Adapter
45	731-07487	Deck Wash Nozzle
N/A		Engine (see breakdown)
		Kohler Model No. PH-XT675-2044

PARTS LIST

Craftsman Engine Model No. PH-XT675-2044 For Craftsman Mower Model No. 247.374320
CRANKSHAFT/CRANKCASE GROUP



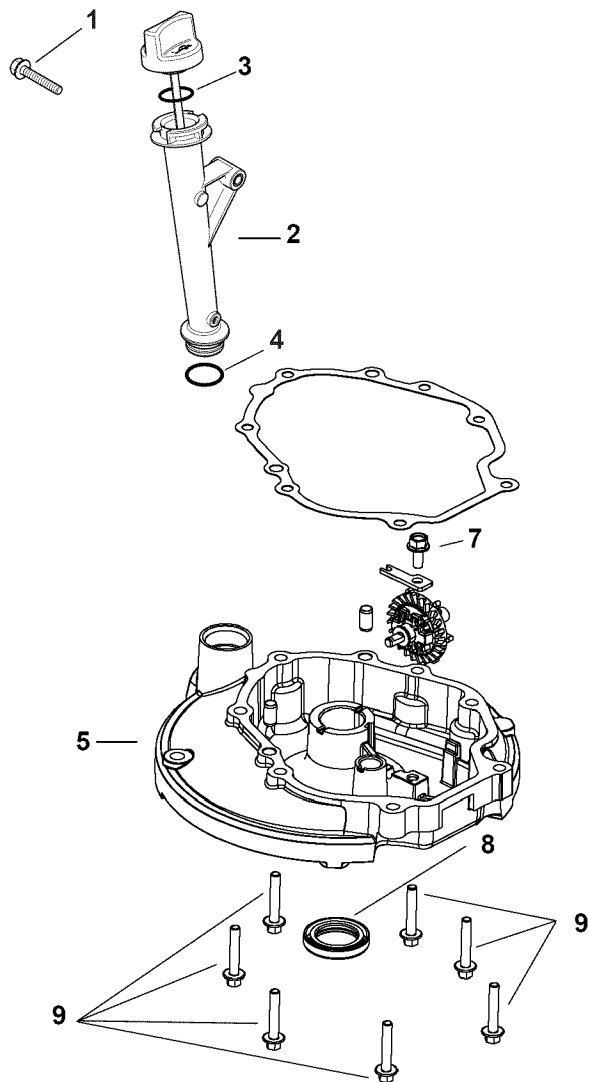
Ref. No.	Part No.	Description
1	25 086 159-S	Screw, Hex Flange (M6)
2	14 096 22-S	Cover, Breather
3	14 050 01-S	Kit, Breather Filter
4	14 032 02-S	Seal, Oil
5	14 468 07-S	Washer, Flat (Dia 13Mm O.D.)
6	14 032 07-S	Seal, Oil
7	14 154 01-S	Clip, Governor Shaft
8	14 010 09-S	Camshaft Assembly
9	14 380 06-S	Dowel, Cylinder Head
10	14 108 03-S	Ring Set
11	14 874 05-S	Kit, Piston

Ref. No.	Part No.	Description
12	14 018 11-S	Retainer, Piston Pin
13	14 067 02-S	Rod, Connecting Assembly
14	14 561 14-S	Crankcase
15	14 041 30-S	Gasket, Breather Cover
16	17 030 12-S	Bearing, Ball
17	14 014 95-S	Crankshaft Assembly
	14 014 97-S	Crankshaft Assembly
	14 014 99-S	Crankshaft Assembly
	14 014 101-S	Crankshaft Assembly
	14 014 121-S	Crankshaft, Assembly
18	14 340 01-S	Key, Flywheel

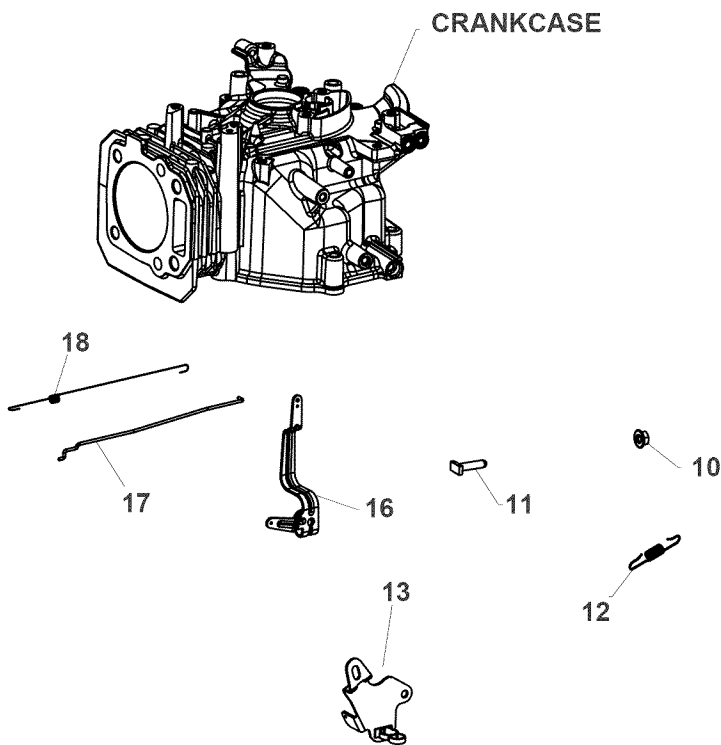
PARTS LIST

Craftsman Engine Model No. PH-XT675-2044 For Craftsman Mower Model No. 247.374320

LUBRICATION GROUP



ENGINE CONTROLS GROUP



Ref. No.	Part No.	Description
1	25 086 145-S	Screw, Hex Flange (M6)
2	14 123 13-S	Tube Assembly, Oil Fill
3	14 153 05-S	O-Ring Cap
4	14 153 03-S	O-Ring, Oil Fill Tube
5	14 199 25-S	Kit, Pan Oil
7	25 086 159-S	Screw, Hex Flange (M6)
8	14 032 07-S	Seal, Oil
9	25 086 293-S	Screw, Hex Flange (M6)

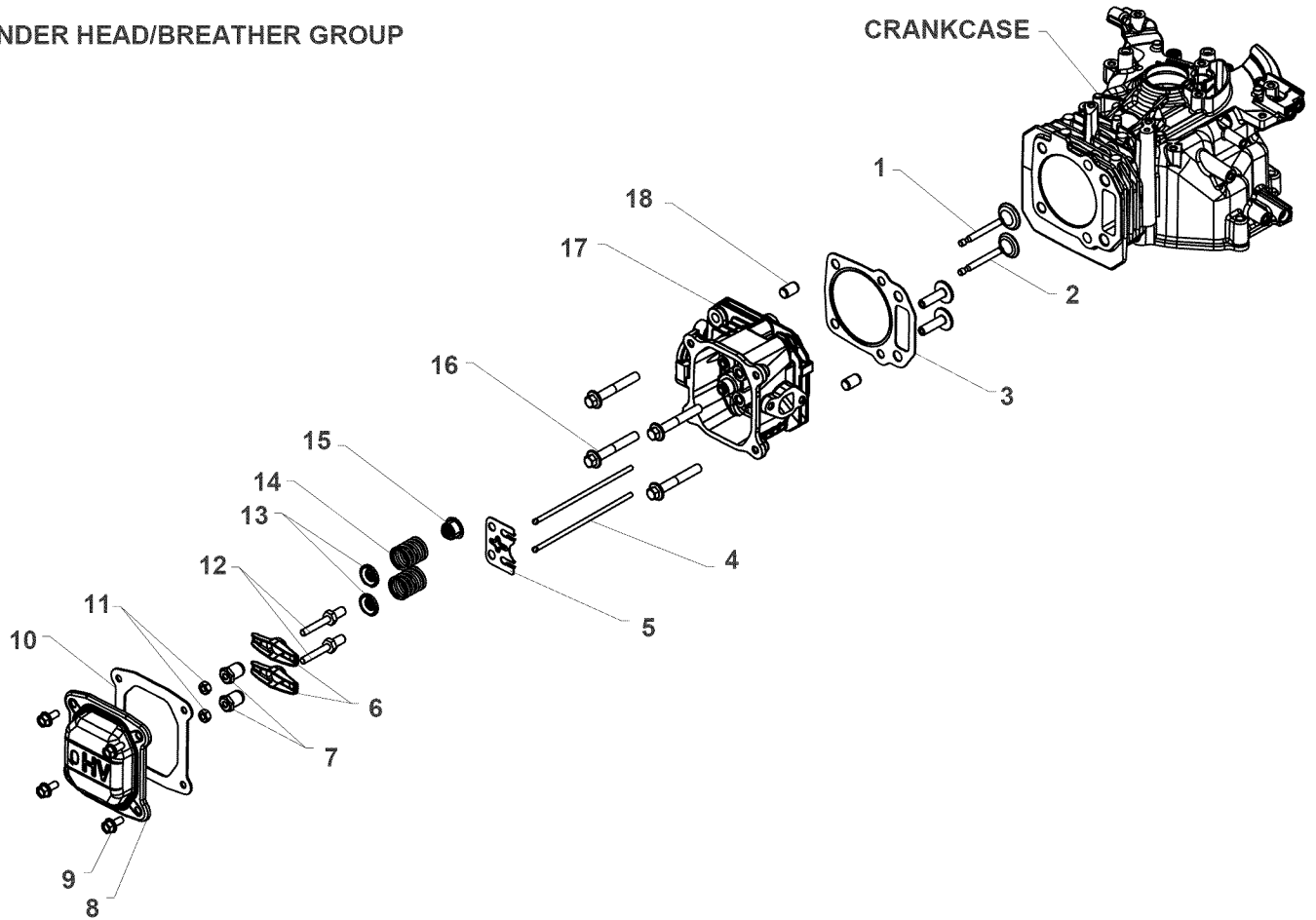
Ref. No.	Part No.	Description
10	14 100 08-S	Nut, Hex Flange (M6)
11	25 086 166-S	Screw, Rectangle Head (M6)
12	14 089 14-S	Spring, Gov (2800-3300 Rpm)
13	14 126 53-S	Bracket Assembly (Fixed Speed Control)
16	14 090 18-S	Kit, Governor Lever
17	14 079 20-S	Linkage, Governor, Auto-Choke
18	14 089 44-S	Spring, Linkage

PARTS LIST

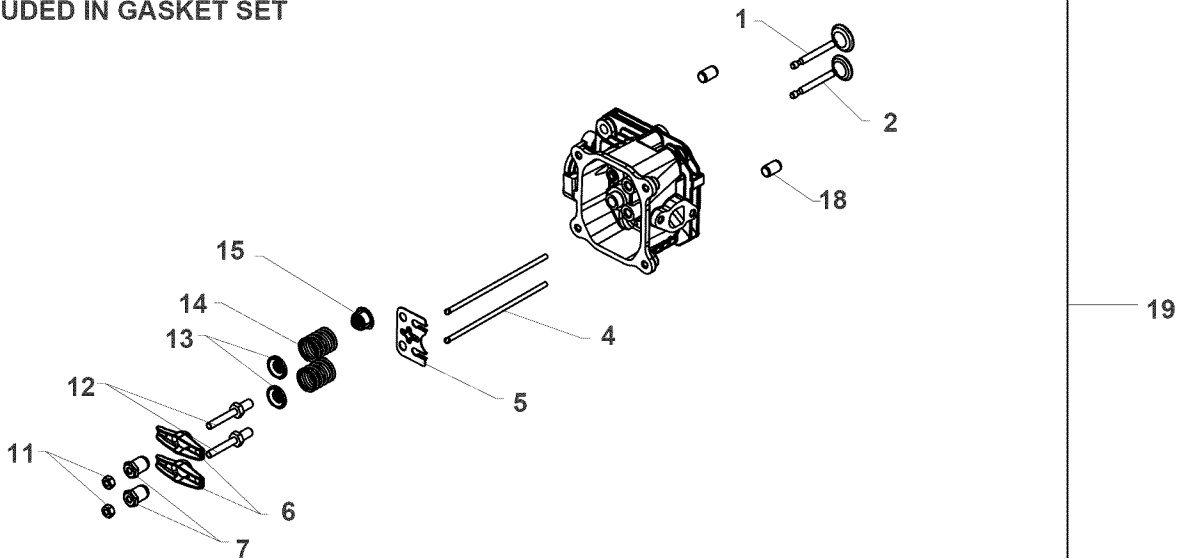
Craftsman Engine Model No. PH-XT675-2044 For Craftsman Mower Model No. 247.374320

CYLINDER HEAD/BREATHER GROUP

CRANKCASE



VALVE SEAL ALSO INCLUDED IN GASKET SET



PARTS LIST

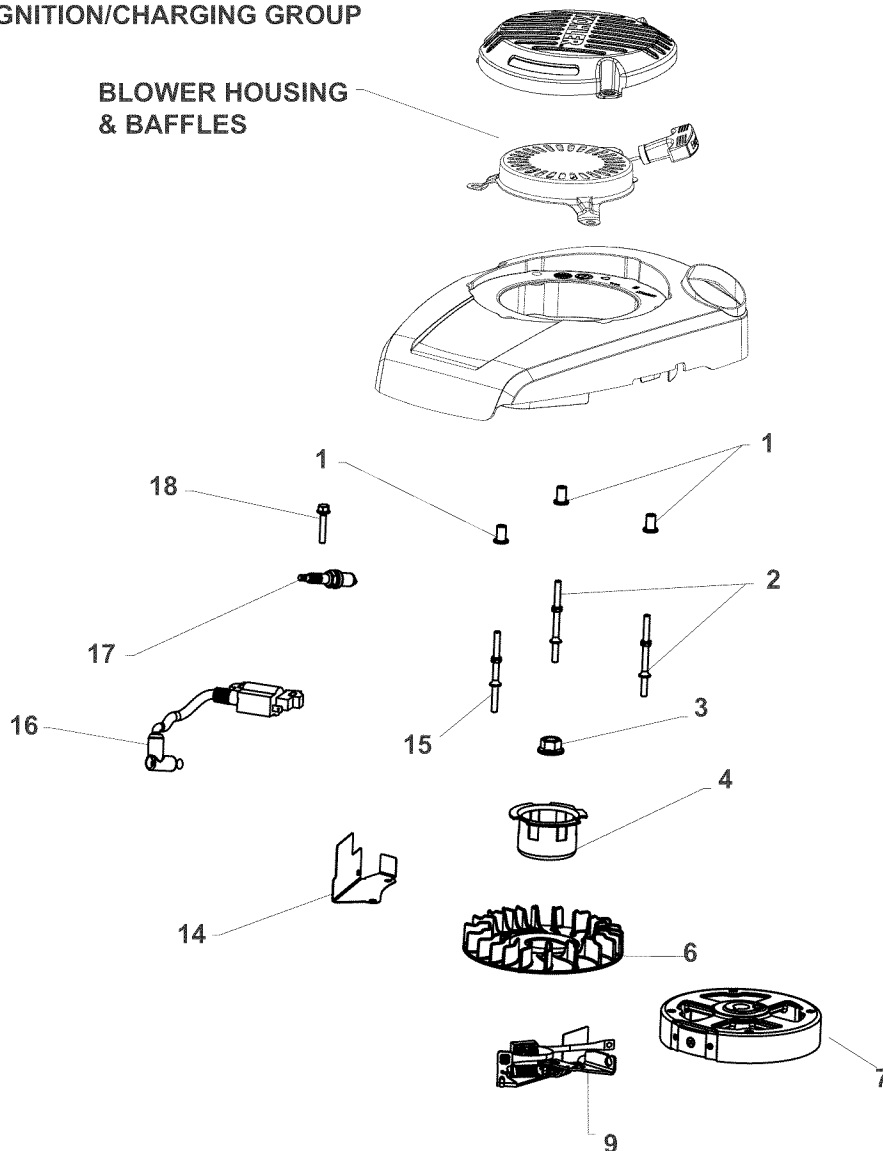
Craftsman Engine Model No. PH-XT675-2044 For Craftsman Mower Model No. 247.374320

Ref. No.	Part No.	Description
1	14 017 02-S	Valve, Intake
2	14 016 04-S	Valve, Exhaust
3	14 841 15-S	Kit, Head Gasket
4	14 411 03-S	Rod, Push
5	14 146 06-S	Plate, Pushrod Guide
6	14 186 02-S	Arm, Rocker
7	14 599 01-S	Pivot, Rocker Arm
8	14 096 115-S	Cover, Valve
9	25 086 159-S	Screw, Hex Flange (M6)
10	14 041 01-S	Gasket, Valve Cover
11	14 100 01-S	Nut, Hex Jam
12	14 072 02-S	Stud, Rocker Arm
13	14 018 02-S	Retainer, Valve Spring
14	14 089 02-S	Spring, Valve
15	14 032 08-S	Seal, Valve Stem
16	25 086 140-S	Screw, Hex Flange M8
17	14 318 07-S	Kit, Cylinder Head
18	14 380 06-S	Dowel, Cylinder Head
19	14 755 11-S	Kit, Valve Train

PARTS LIST

Craftsman Engine Model No. PH-XT675-2044 For Craftsman Mower Model No. 247.374320

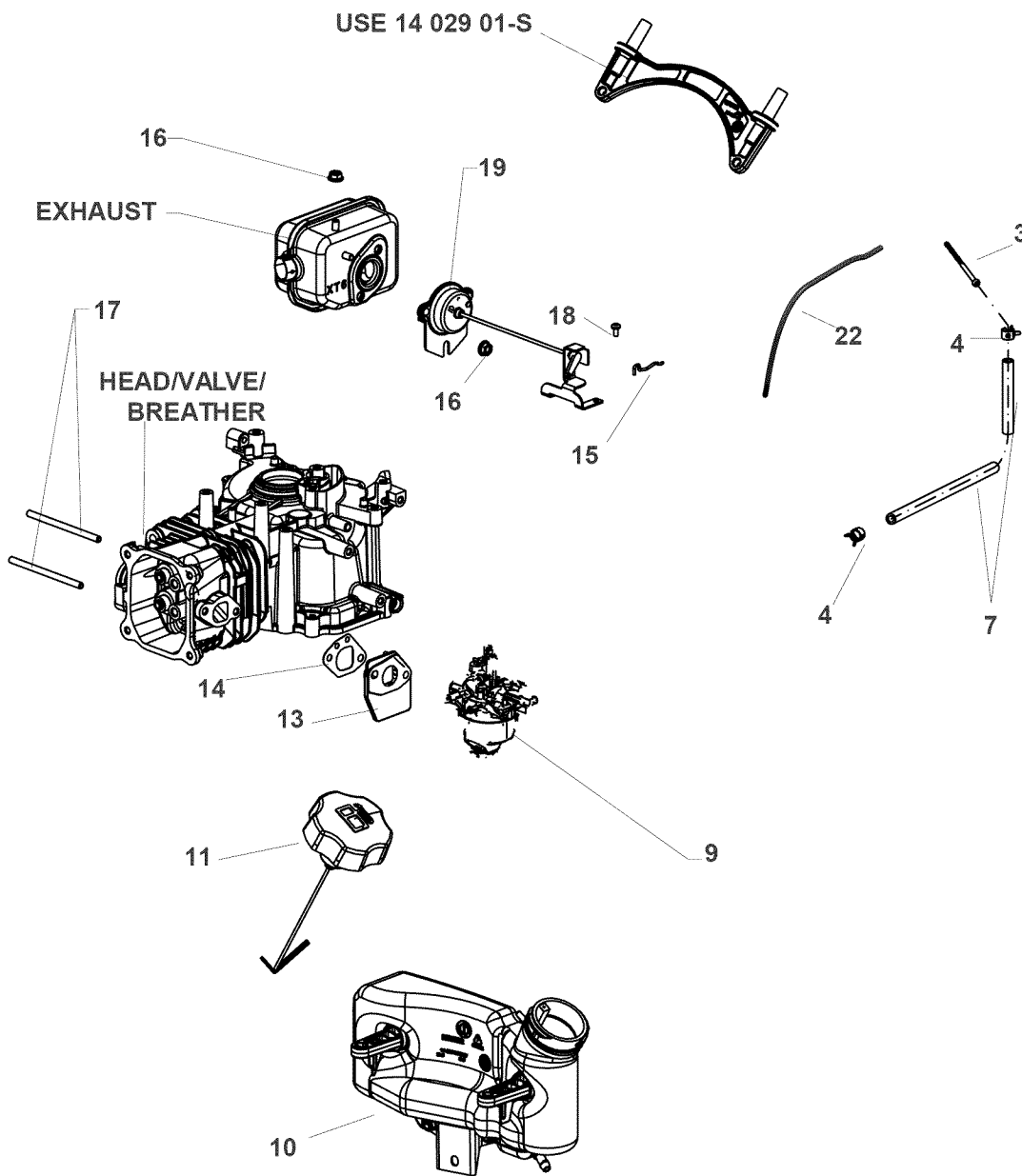
IGNITION/CHARGING GROUP



Ref. No.	Part No.	Description
1	14 112 07-S	Spacer
2	14 072 12-S	Stud
3	14 100 10-S	Nut, Flywheel (W/Serrations)
4	14 109 04-S	Cup, Starter Drive
6	17 157 06-S	Fan, Flywheel
7	14 025 10-S	Flywheel Assembly, Cast Iron
9	14 219 12-S	Brake, Assembly
14	14 314 25-S	Guard, Finger
15	14 072 13-S	Stud
16	14 584 04-S	Module, Ign (Cast Iron, Std Ign)
17	14 132 11-S	Plug, Spark 12Mm Rfi
18	25 086 145-S	Screw, Hex Flange (M6)

PARTS LIST

Craftsman Engine Model No. PH-XT675-2044 For Craftsman Mower Model No. 247.374320
FUEL SYSTEM GROUP



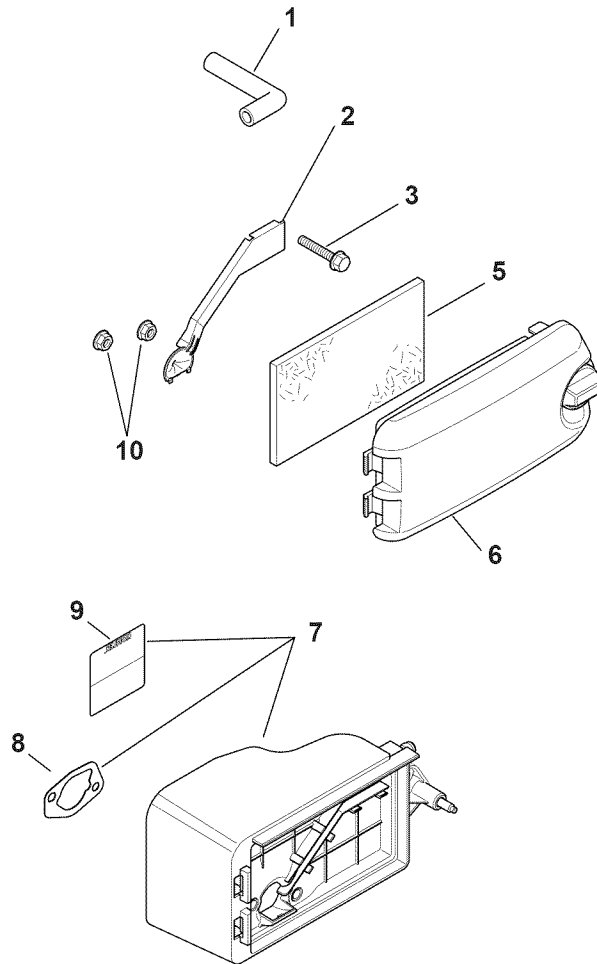
Ref. No.	Part No.	Description
3	14 050 14-S	Filter, Fuel In-Nipple
4	14 237 07-S	Clamp, Hose (Non-California)
7	25 111 69-S	Hose, Fuel Low-Permeation (Cky)
9	14 853 55-S	Kit, Carburetor
10	14 065 56-S	Fuel Tank
11	14 227 20-S	Cap Assembly, Fuel
13	14 112 27-S	Kit, Spacer
14	14 041 16-S	Gasket, Spacer Use 14 041 24-S

Ref. No.	Part No.	Description
15	14 079 25-S	Linkage, Wire Choke
16	14 100 08-S	Nut, Hex Flange (M6)
17	14 072 23-S	Stud, Carburetor
18	25 086 277-S	Screw, M4 Thread Forming
19	14 187 10-S	Arm Assembly, Auto Choke
22	25 326 08-S	Hose Evaporative 20"
	14 041 31-S	Kit, Carburetor Gaskets (Not Shown)

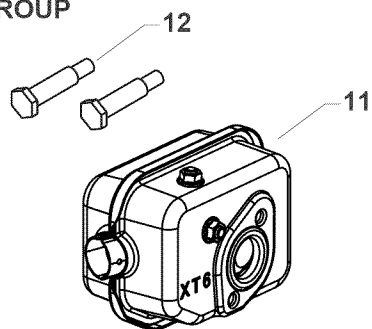
PARTS LIST

Craftsman Engine Model No. PH-XT675-2044 For Craftsman Mower Model No. 247.374320

AIR INTAKE GROUP



EXHAUST GROUP



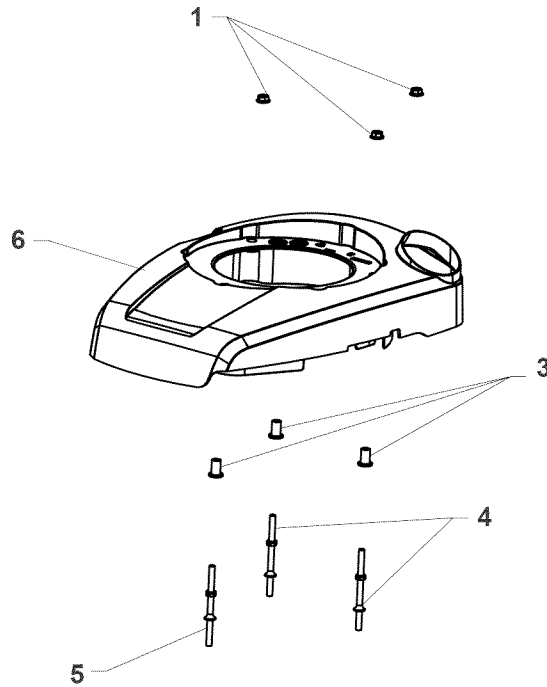
Ref. No.	Part No.	Description
1	14 123 19-S	Hose, Breather
2	14 096 118-S	Cover, A/C Base (Breather Gas)
3	25 086 145-S	Screw, Hex Flange (M6)
5	14 083 16-S	Element, Air Cleaner (Foam)
6	14 096 119-S	Cover, Air Cleaner
7	14 094 27-S	Kit, Air Cleaner Base

Ref. No.	Part No.	Description
8	17 041 03-S	Kit, Intake Gasket
9	41 037 10-S	Nameplate, Service
10	14 100 08-S	Nut, Hex Flange (M6)
11	14 068 15-S	Kit, Muffer Assembly
12	25 086 430-S	Screw, Shoulder

PARTS LIST

Craftsman Engine Model No. PH-XT675-2044 For Craftsman Mower Model No. 247.374320

BLOWER HOUSING/STARTING GROUP

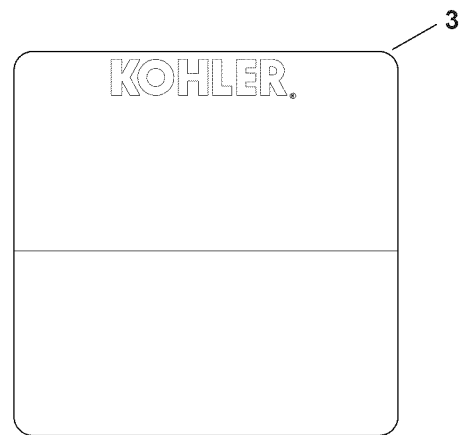
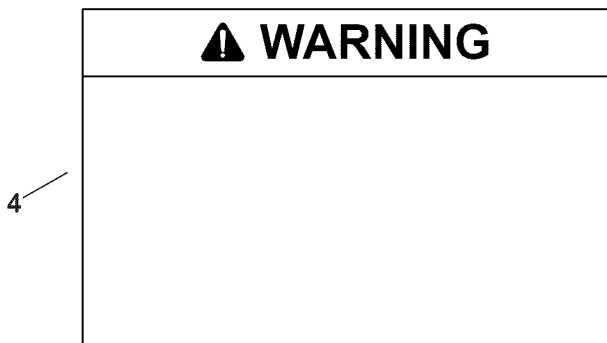
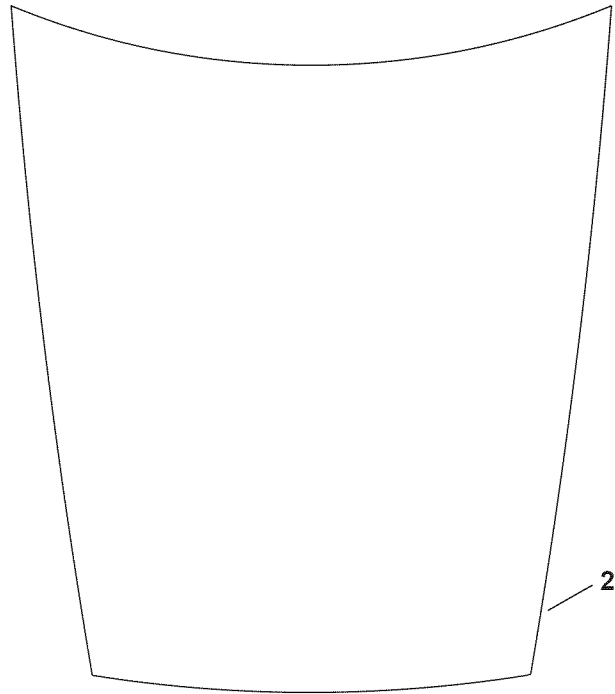
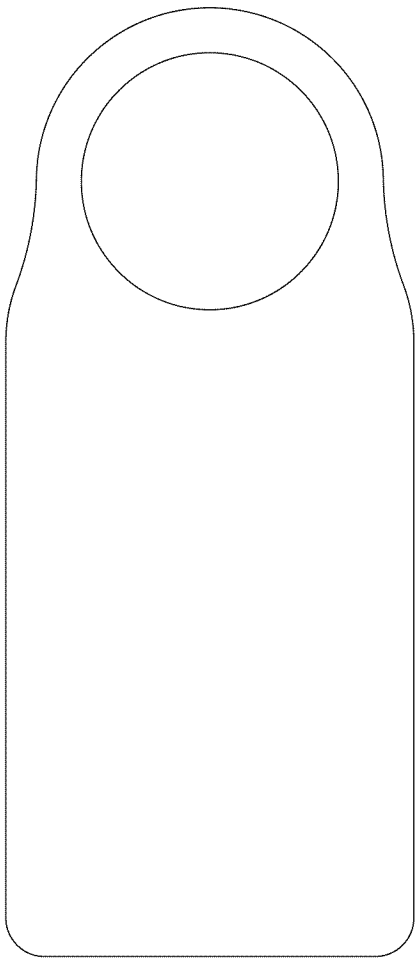


Ref. No.	Part No.	Description
1	14 100 08-S	Nut, Hex Flange (M6)
3	14 112 07-S	Spacer
4	14 072 12-S	Stud
5	14 072 13-S	Stud
6	14 096 122-S	Cover, Engine

PARTS LIST

Craftsman Engine Model No. PH-XT675-2044 For Craftsman Mower Model No. 247.374320

IDENTIFICATION GROUP



Ref. No.	Part No.	Description
1	14 450 03-S	Tag, Hang Oil Warning
2	14 113 71-S	Decal, Name Xt6.75
3	41 037 10-S	Nameplate, Service
4	14 113 57-S	Decal, Warning

PARTS LIST

Craftsman Mower Labels — Model No. 247.374320



777S33353



777S33350



777D14313



777D18526