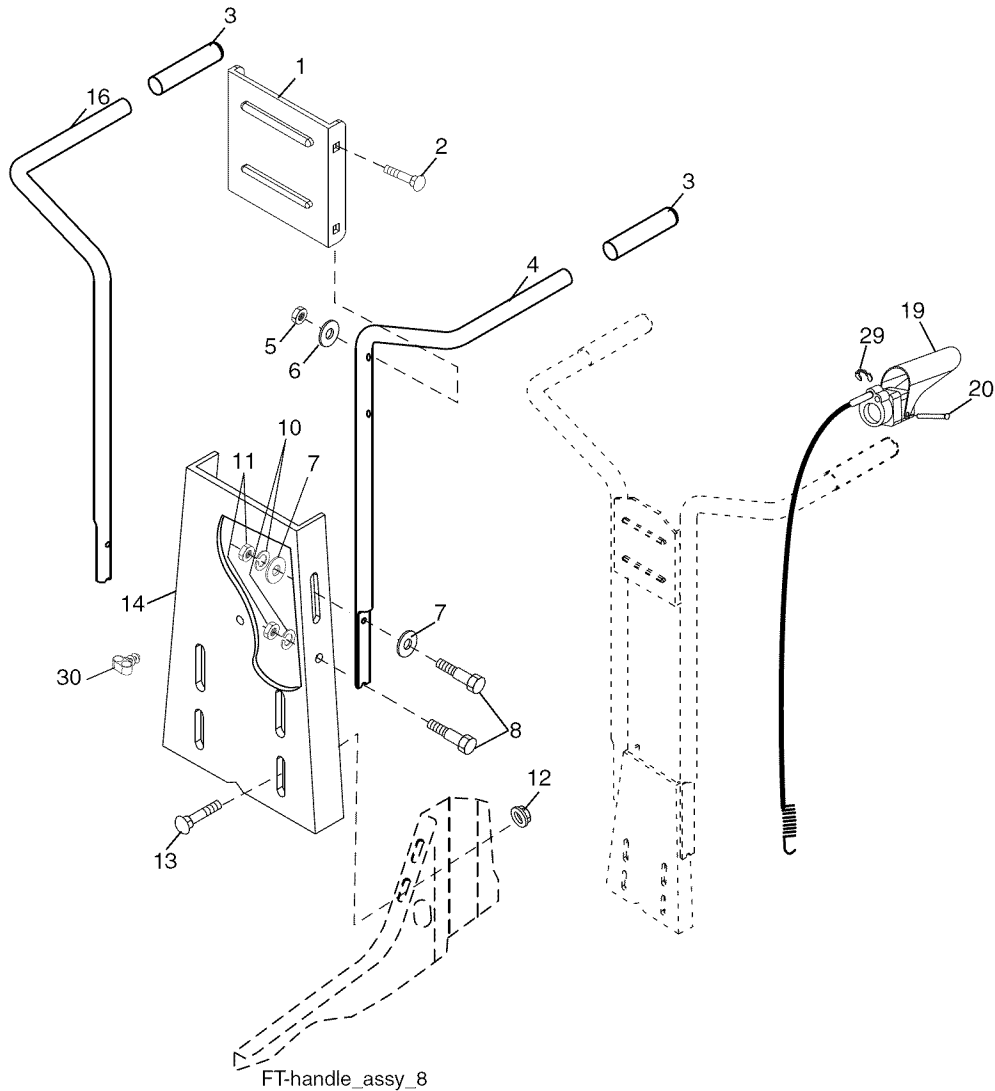


REPAIR PARTS

TILLER - - MODEL NUMBER 917.298020

HANDLES



FT-handle_assy_8

KEY PART

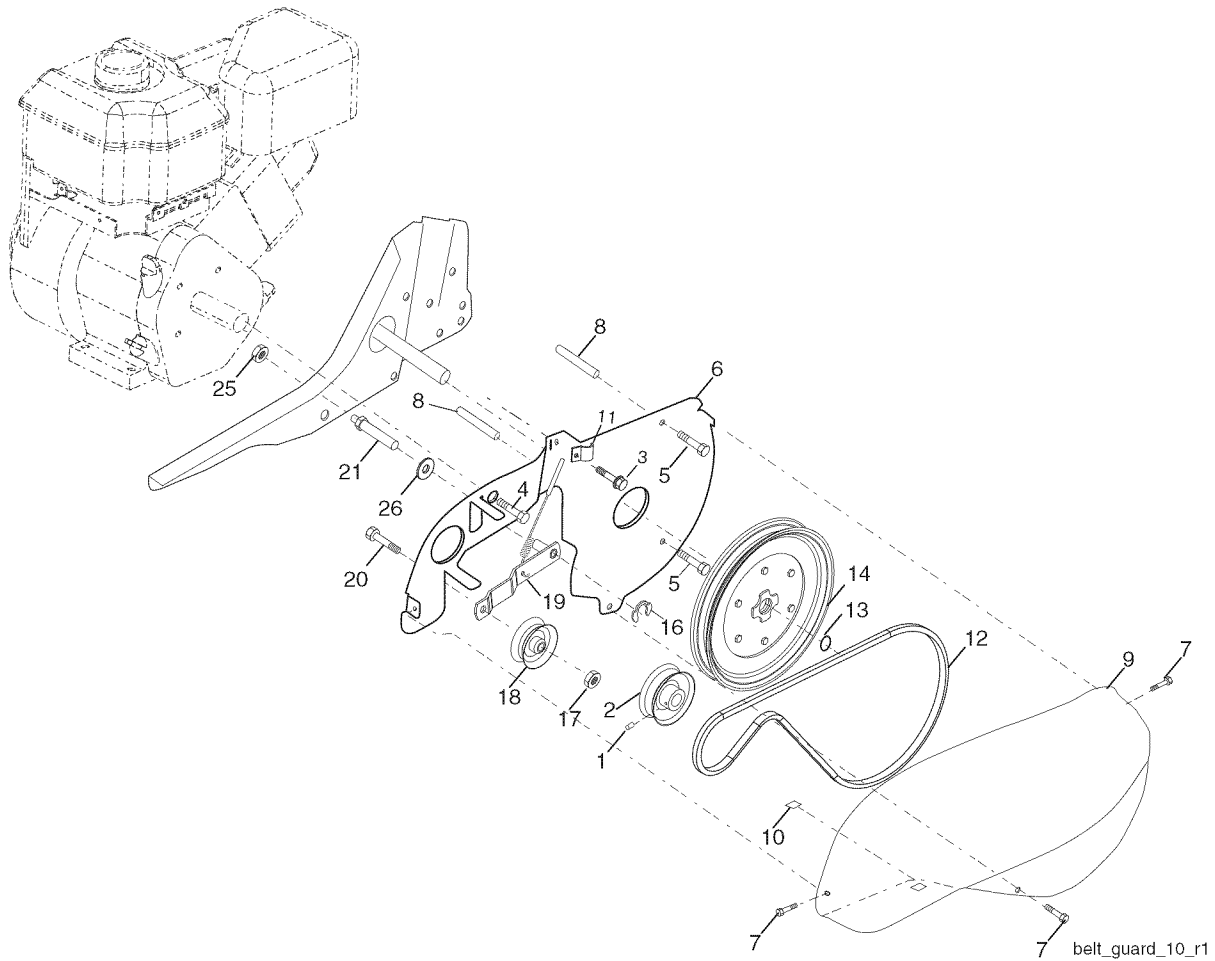
NO.	NO.	DESCRIPTION
1	137176X428	Bracket, Handle
2	72140512	Bolt, Carriage 5/16-18 x 1-1/2
3	165787	Grip, Handle
4	166376X479	Handle, L.H.
5	73680500	Nut, Hex, Crownlock 5/16-18
6	19111116	Washer 11/32 x 11/16 x 16 Ga.
7	19121414	Washer 3/8 x 7/8 x 14 Ga.
8	74760520	Bolt, Hex Head 5/16-18 x 1-1/4
10	10040500	Washer, Lock 5/16
11	73220500	Nut, Hex 5/16-18
12	98000129	Nut, Hex, Flanged 5/16-18
13	180847	Bolt, Carriage Gr. 5 5/16-18 x 3/4

KEY PART

NO.	NO.	DESCRIPTION
14	9209RX428	Panel, Handle
16	166381X479	Handle, R.H.
19	188562	Tine Control Lever Assembly (Includes Cable)
20	188555	Pin, Pivot
29	12000059	Retainer, Ring
30	181580	Dual Routing Clip

NOTE: All component dimensions given in U.S.inches.
1 inch = 25.4 mm

TILLER - - MODEL NUMBER 917.298020
BELT GUARD AND PULLEY ASSEMBLY

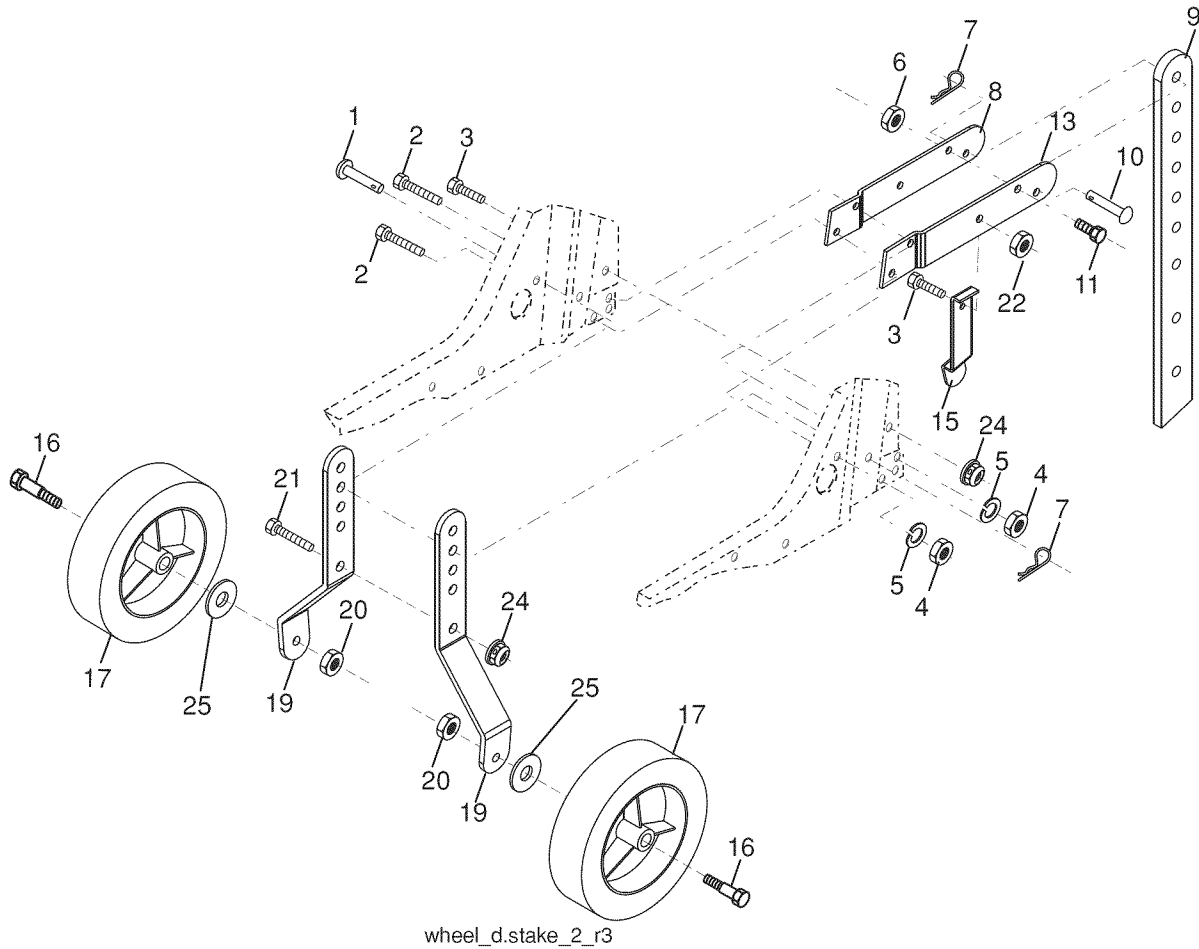


KEY PART NO.	NO.	DESCRIPTION
1	23230506	Screw Set 5/16-18 x 3/8 Patch
2	130812	Sheave, Engine
3	86777	Screw, Tap Hex Head
4	74610812	Bolt, Hex Head 1/2-20 x 3/4
5	17490440	Bolt, Thd Roller 1/4-20 x 2-1/2
6	422920X428	Shield, Inner Belt Guard
7	170488	Screw Hex Wsh Hd #8-18 x 1/2
8	139155	Spacer Split
9	165768X428	Guard, Belt
10	109227X	Pad, Idler
11	9484R	Clip, Cable
12	9180R	V-Belt
13	12000028	Ring, Retainer

KEY PART NO.	NO.	DESCRIPTION
14	151223	Sheave, Transmision
16	12000036	Ring, Klip
17	73350600	Nut, Hex, Jam 3/8-16
18	161806	Pulley, Idler
19	175377X479	Arm, Idler
20	74760620	Bolt, Hex Head 3/8-16 x 1-1/4
21	106968X	Shaft, Idler Arm
25	73350500	Nut, Hex, Jam 5/16-18
26	67725	Washer

NOTE: All component dimensions given in U.S.inches.
 1 inch = 25.4 mm

TILLER - - MODEL NUMBER 917.298020
WHEEL AND DEPTH STAKE ASSEMBLY



**KEY PART
NO. NO.**

1	9194R	Pin, Clevis
2	74760520	Bolt, Hex Head 5/16-18 x 1-1/4
3	74760512	Bolt, Hex Head 5/16-18 x 3/4
4	73220500	Nut
5	10040500	Washer, Lock 5/16
6	73800600	Locknut, w/washer 3/8-16
7	4921H	Clip, Hairpin
8	1952JX479	Support, Depth Stake, R.H.
9	122233X479	Stake, Depth
10	4929H	Pin, Clevis
11	74780628	Locknut, Hex 3/8-16 x 1-3/4
13	1951JX479	Support, Depth Stake, L.H.
15	5388JX004	Spring, Stake

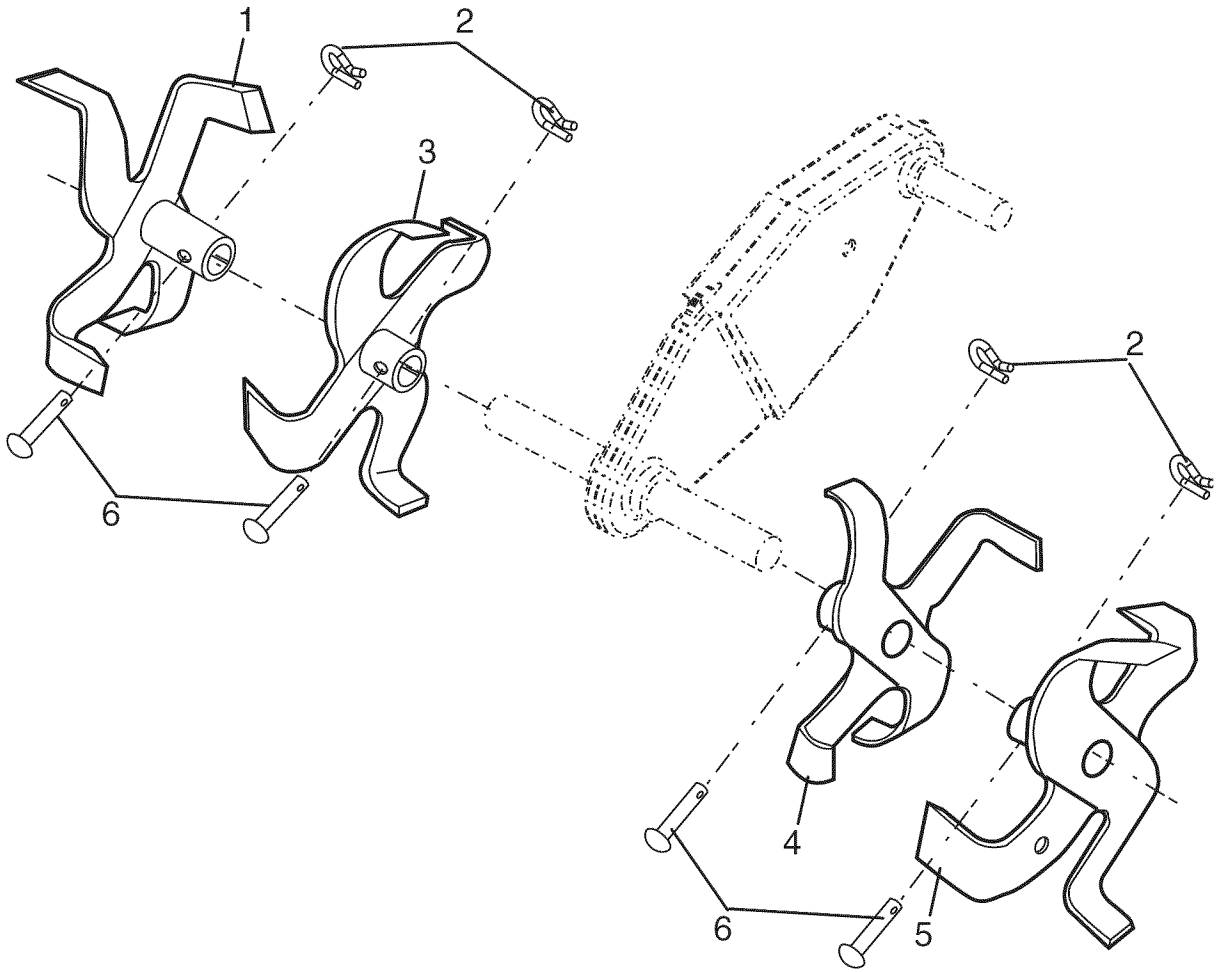
**KEY PART
NO. NO.**

16	121117X	Bolt, Shoulder
17	193851X427	Wheel
19	9190RX479	Bracket, Wheel
20	73680600	Locknut, Crown 3/8-16
21	74760516	Bolt, Hex Head 5/16-18 x 1
22	73800500	Locknut, w/insert 5/16-18
24	73970500	Nut Lock 5/16-18
25	19171416	Washer 17/32 x 7/8 x16 Ga.

NOTE: All component dimensions given in U.S.inches.
 1 inch = 25.4 mm

TILLER - - MODEL NUMBER 917.298020

TINE ASSEMBLY



tine_ipb_3

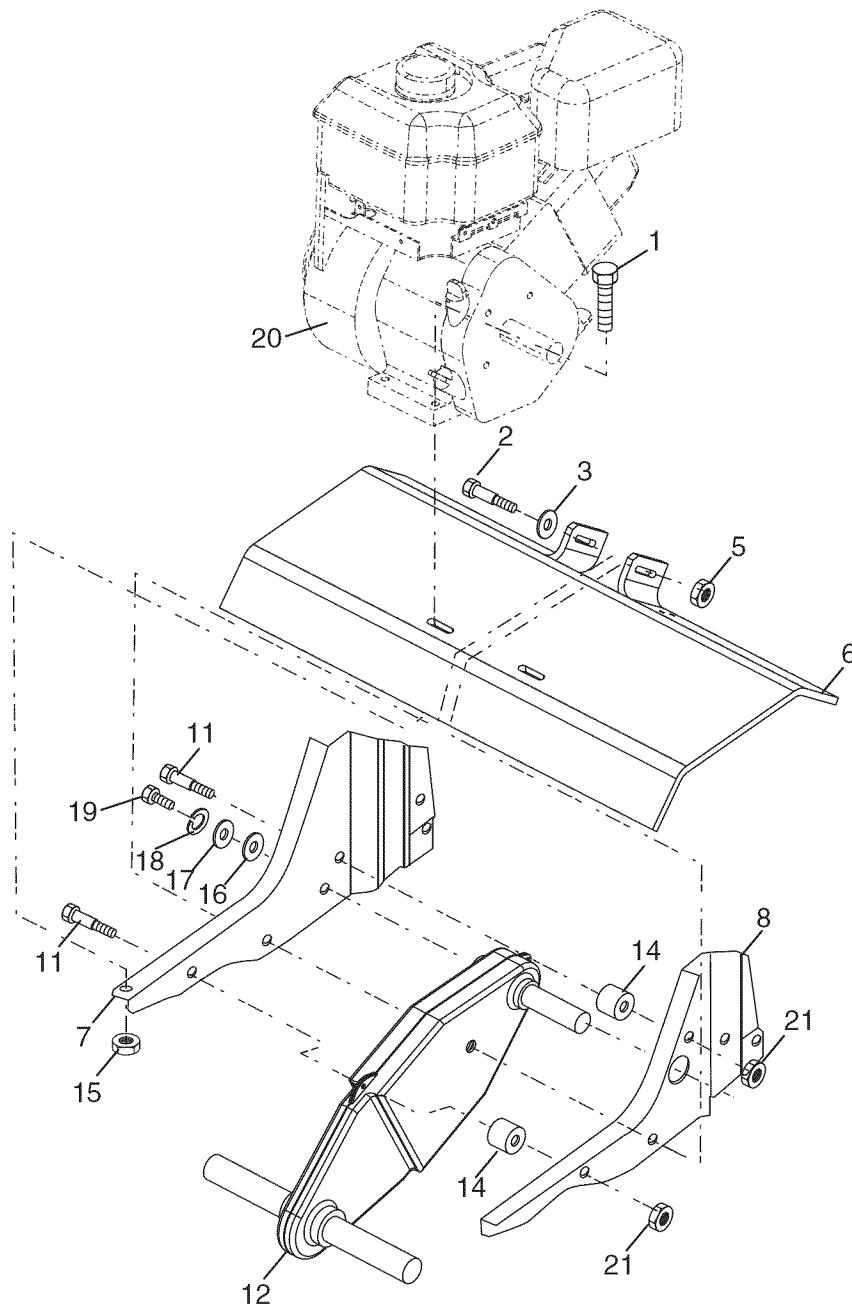
KEY PART

NO.	NO.	DESCRIPTION
1	156926X479	Tine, Outer, R.H.
2	3146R	Retainer, Spring Zinc
3	156924X479	Tine, Inner, R.H.
4	156923X479	Tine, Inner, L.H.
5	156925X479	Tine, Outer, L.H.
6	4929H	Pin, Clevis

NOTE: All component dimensions given in U.S.inches.
1 inch = 25.4 mm

TILLER - - MODEL NUMBER 917.298020

TRANSMISSION



transmission_26

KEY PART NO. NO.

KEY PART NO.	NO.	DESCRIPTION
1	74760524	Bolt, Hex 5/16-18 x 1-1/2 Gr. 2
2	74780652	Bolt, Fin, Hex 3/8-16 x 3-1/4
3	19131311	Washer 13/32 x 13/16 x 11
5	73900600	Locknut, w/washer 3/8-16
6	9056RX428	Shield, Tine
7	188195X479	Bracket, Engine, R.H.
8	165834X479	Bracket, Engine, L.H.
11	187912	Bolt, Shoulder 5/16-18 unc x 2.5
12	151222	Transmission
14	446548	Spacer, Split
15	73970500	Nut, Lock Hex Flange 5/16-18 unc
16	19091412	Washer 9/32 x 7/8 x 12 Ga.
17	19092016	Washer 9/32 x 1-1/4 x 16 Ga.

KEY PART NO. NO.

KEY PART NO.	NO.	DESCRIPTION
18	10040400	Washer, Lock 1/4
19	74610412	Bolt, Hex 1/4-28 x 3/4 Gr. 5
20	-----	Engine (See Breakdown)
21	751153	Nut 5/16-18

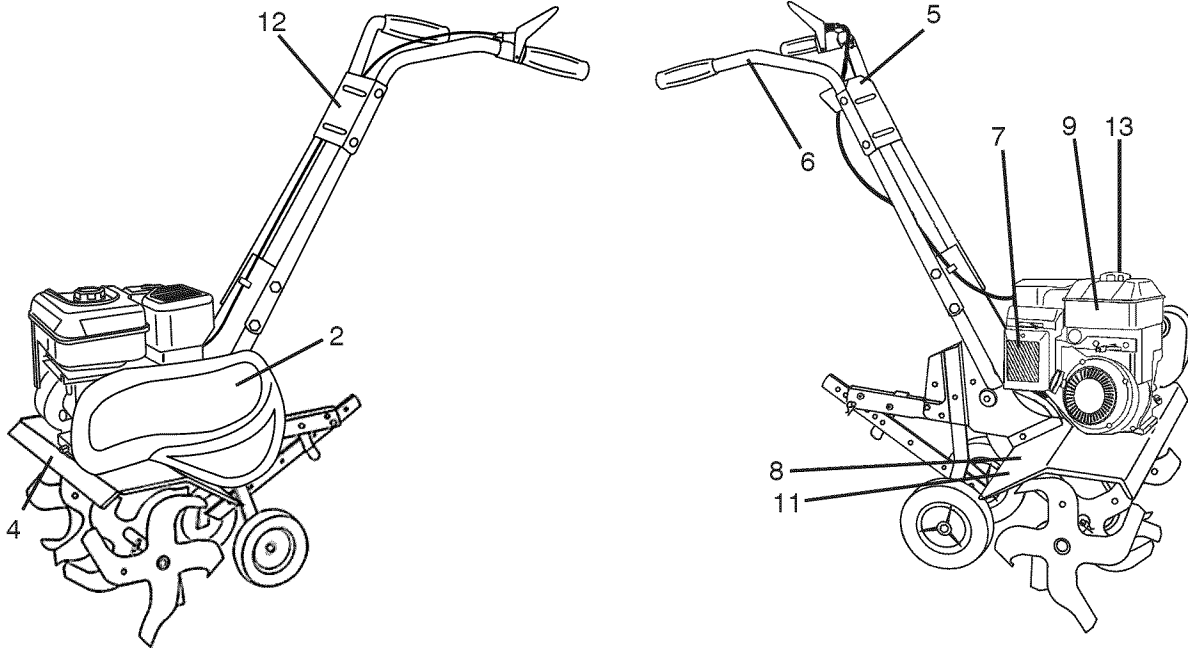
NOTE: All component dimensions given in U.S. inches
1 inch = 25.4 mm

For engine service and replacement parts, call the toll free number for your engine manufacturer listed below:

Briggs & Stratton 1-800-233-3723

TILLER - - MODEL NUMBER 917.298020

DECALS



KEY PART NO.	NO.	DESCRIPTION
2	445411	Decal, Belt Guard
4	445413	Decal, Tine Shield
5	110594X	Decal, Cntrl Pnl Inst.
6	120431X	Decal, Hand Placement
7	432278	Decal, Engine AC
8	162215	Decal, Tine Shield Warning
9	409143	Decal, Engine Tank
11	120075X	Decal, Warning, Rotating Tines
12	447064	Decal, Console
13	423830	Decal, Ethanol
--	447479	Manual, Owner's (English/Spanish)

TILLER - - MODEL NUMBER 917.298020

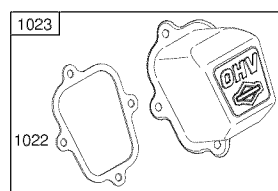
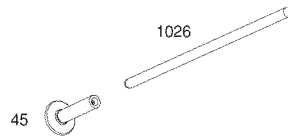
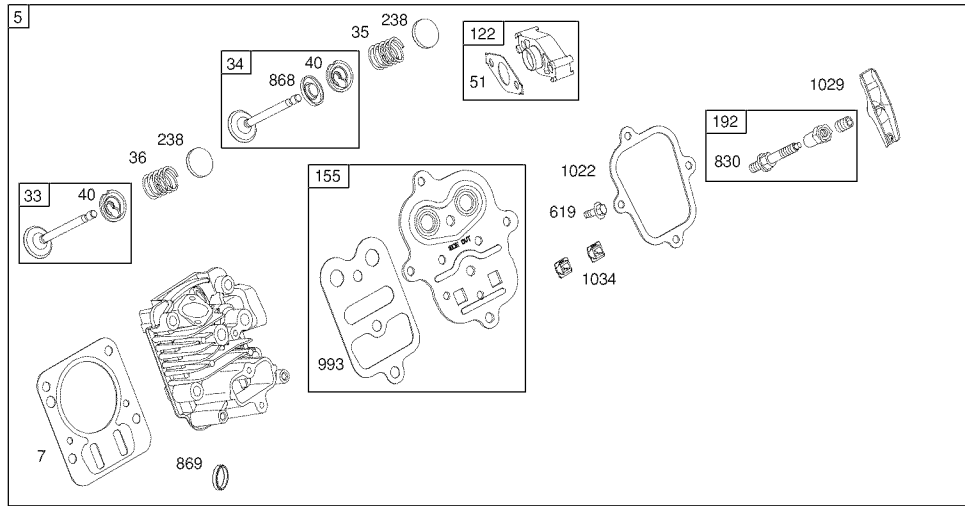
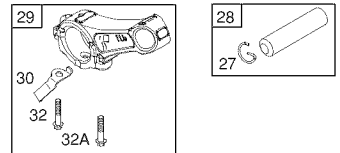
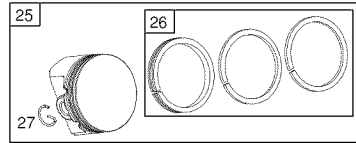
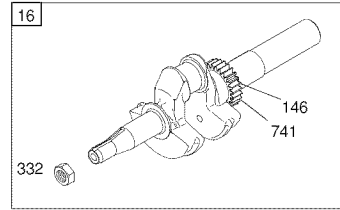
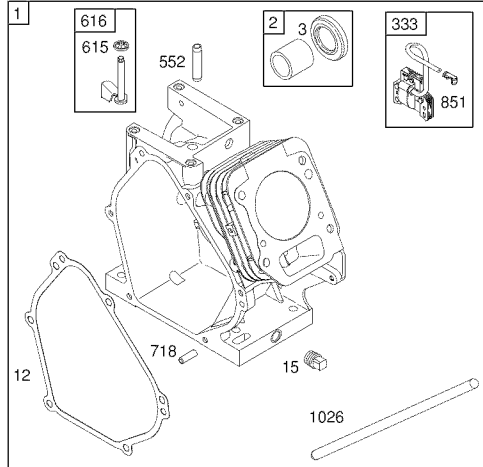
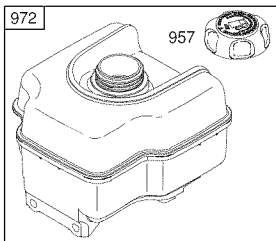
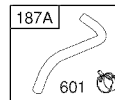
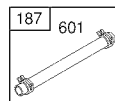
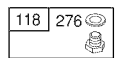
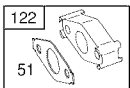
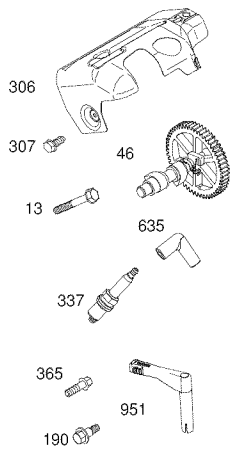
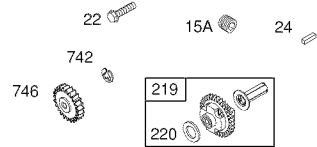
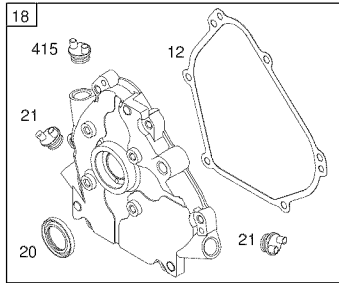
ENGINE, BRIGGS & STRATTON -- MODEL NUMBER 121002, TYPE NO. 1380-B8

48 SHORT BLOCK

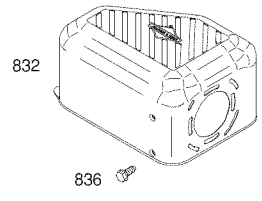
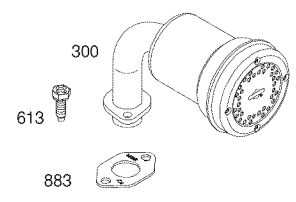
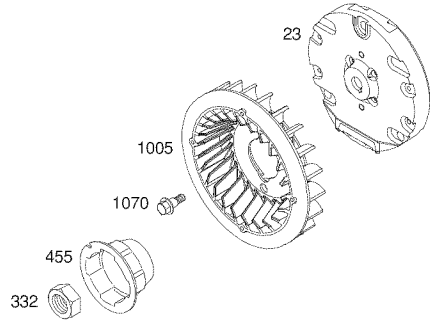
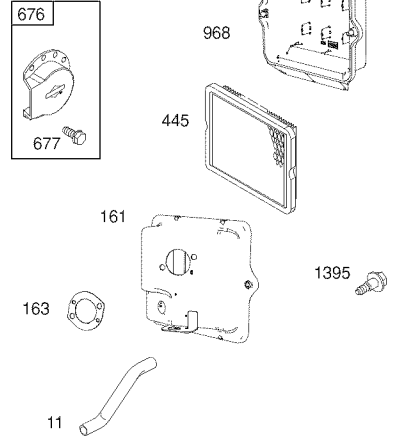
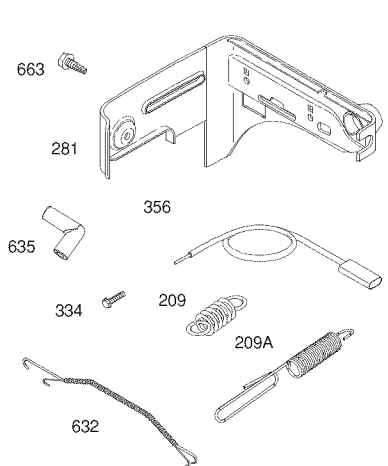
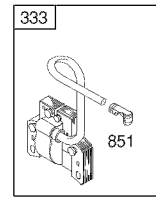
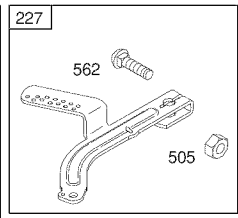
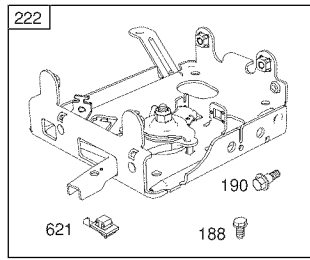
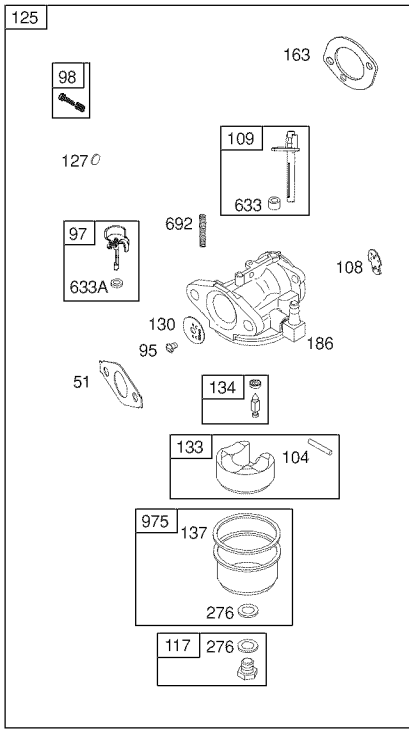
1058 OPERATOR'S MANUAL

1329 REPLACEMENT ENGINE

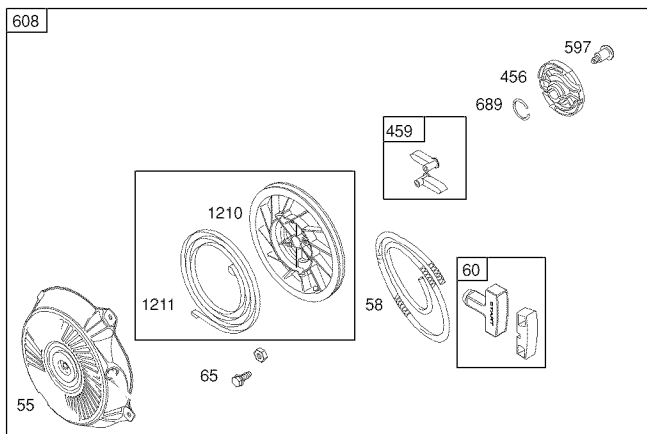
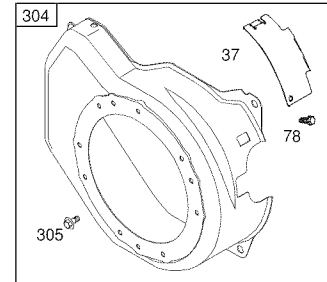
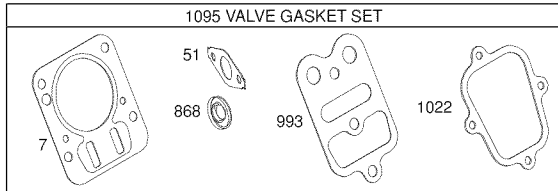
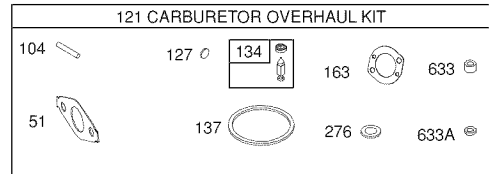
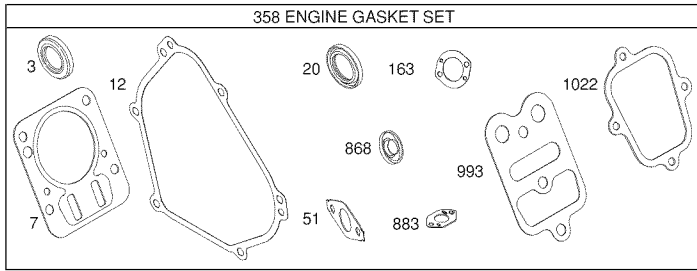
1330 REPAIR MANUAL



**TILLER - - MODEL NUMBER 917.298020
ENGINE, BRIGGS & STRATTON -- MODEL NUMBER 121002, TYPE NO. 1380-B8**



**TILLER - - MODEL NUMBER 917.298020
ENGINE, BRIGGS & STRATTON -- MODEL NUMBER 121002, TYPE NO. 1380-B8**



1036 EMISSIONS LABEL

TILLER - - MODEL NUMBER 917.298020
ENGINE, BRIGGS & STRATTON -- MODEL NUMBER 121002, TYPE NO. 1380-B8

KEY PART NO. NO.	DESCRIPTION	KEY PART NO. NO.	DESCRIPTION	
1	699510	Cylinder Assembly	186 692317	Hose-Connector
2	399269	Kit-Bushing/Seal (Magneto Side)	187 791766	Line-Fuel (Cut to Required Length)
3	299819s	Seal-Oil (Magneto Side)	187A 791867	Line-Fuel (Formed)
5	797439	Head-Cylinder	188 699479	Screw (Control Bracket)
7	698210	Gasket-Cylinder Head	190 699220	Screw (Fuel Tank)
11	790632	Tube-Breather	192 797440	Adjuster-Rocker Arm
12	699485	Gasket-Crankcase	209 691278	Spring-Governor (Platinum)
13	699482	Screw (Cylinder Head)	209 692571	Spring-Governor (# 5 Hole)
15	691686	Plug-Oil Drain	219 693578	Gear-Governor
15A	691682	Plug-Oil Drain	220 691724	Washer (Governor Gear)
16	797070	Crankshaft	222 793107	Bracket-Control
18	699696	Cover-Crankcase	227 794367	Lever-Governor Control
20	692550	Seal-Oil (PTO Side)	238 691300	Cap-Valve
21	281658s	Cap-Oil Fill	265 691024	Clamp-Casing
22	699478	Screw (Crankcase Cover/Sump)	267 699492	Screw (Casing Clamp)
23	699488	Flywheel	276 271716	Washer-Sealing
24	222698s	Key-Flywheel	281 793122	Panel-Control
25	795429	Piston Assembly (Standard)	300 693593	Muffler
	795430	Piston Assembly (.020" Oversize)	304 699598	Housing-Blower
26	791969	Ring Set (Standard)	305 699480	Screw (Blower Housing)
	793001	Ring Set (.020" Oversize)	306 795334	Shield-Cylinder
27	691866	Lock-Piston Pin	307 699483	Screw (Cylinder Shield)
28	499423	Pin-Piston	332 792723	Nut (Flywheel)
29	690124	Rod-Connecting	333 796964	Armature-Magneto
30	791584	Dipper-Connecting Rod	334 699477	Screw (Magneto Armature)
32	691664	Screw (Connecting Rod) (Short)	337 491055s	Plug-Spark
32A	695759	Screw (Connecting Rod) (Long)	356 692390	Wire-Stop
33	499642	Valve-Exhaust	358 791797	Gasket Set-Engine
34	795443	Valve-Intake	365 699484	Screw (Carburetor)
35	691304	Spring-Valve (Intake)	415 693463	Plug (Crankcase Cover)
36	691304	Spring-Valve (Exhaust)	445 491588s	Filter-Air Cleaner Cartridge
37	699661	Guard-Flywheel	455 692591	Cup-Flywheel
40	692194	Retainer-Valve	456 692299	Plate-Pawl Friction
45	690977	Tappet-Valve	459 281505s	Pawl-Ratchet
46	693404	Camshaft	505 691251	Nut (Governor Control Lever)
48	791518	Short Block	552 692346	Bushing-Governor Crank
51	692555	Gasket-Intake	562 691119	Bolt (Governor Control Lever)
55	791848	Housing-Rewind Starter	597 691696	Screw (Pawl Friction Plate)
58	693389	Rope-Starter	601 791850	Clamp-Hose (Green)
60	490652	Grip-Starter Rope	608 795930	Starter-Rewind
65	699228	Screw (Rewind Starter)	613 699209	Screw (Muffler)
95	691636	Screw (Throttle Valve)	615 692576	Retainer-Governor Shaft
97	690024	Shaft-Throttle	616 692547	Crank-Governor
98	398185	Kit-Idle Speed	619 699230	Screw (Cylinder Head Plate)
104	691242	Pin-Float Hinge	621 692310	Switch-Stop (Brake)
108	692567	Valve-Choke	632 693408	Spring/Link-Mechanical Governor
109	790624	Shaft-Choke	633 693867	Seal-Choke/Throttle Shaft (Choke Shaft)
117	690048	Jet-Main (Standard)		
118	497315	Jet-Main (High Altitude)	633A 691321	Seal-Choke/Throttle Shaft (Throttle Shaft)
121	792006	Kit-Carburetor Overhaul		
122	795643	Spacer-Carburetor	635 692076	Boot-Spark Plug
125	698474	Carburetor	663 699206	Screw (Control Panel)
127	691739	Plug-Welch	676 796596	Deflector-Muffler
130	691181	Valve-Throttle	677 699203	Screw (Muffler Deflector)
133	398187	Float-Carburetor	689 691855	Spring-Friction
134	398188	Kit-Needle/Seat	692 690572	Spring-Detent
137	693981	Gasket-Float Bowl	718 690959	Pin-Locating
146	690979	Key-Timig	741 695087	Gear-Timing
155	797442	Plate-Cylinder Head	742 692564	Retainer-E Ring
161	790631	Base-Air Cleaner	746 790278	Gear-Idler
163	696024	Gasket-Air Cleaner	830 797441	Stud-Rocker Arm

TILLER - - MODEL NUMBER 917.298020
ENGINE, BRIGGS & STRATTON -- MODEL NUMBER 121002, TYPE NO. 1380-B8

KEY PART		
NO.	NO.	DESCRIPTION
832	693583	Guard-Muffler
836	699632	Screw (Muffler Guard)
851	493880s	Terminal-Spark Plug
868	795440	Seal-Valve
869	691115	Seat-Valve
883	691893	Gasket-Exhaust
914	699480	Screw (Rocker Cover) (Bottom)
914A	797444	Screw (Rocker Cover)
951	790630	Lever-Choke
957	795027	Cap-Fuel Tank
958	698180	Valve-Fuel Shut Off
968	791082	Cover-Air Cleaner
972	697779	Tank-Fuel
975	790559	Bowl-Fuel
993	694088	Gasket-Cylinder Head Plate
1005	692592	Fan-Flywheel
1022	691890	Gasket-Rocker Cover
1023	499924	Cover-Rocker
1026	790287	Rod-Push
1029	797443	Arm-Rocker
1034	691343	Guide-Push Rod
1036		Label-Emissions (Available from a Briggs & Stratton Authorized Dealer)
1058	277040	Operator's Manual
1070	699201	Screw (Flywheel Fan)
1095	791798	Gasket Set-Valve
1210	791849	Pulley/Spring Assembly (Pulley)
1011	791849	Pulley/Spring Assembly (Spring)
1329	122002-	
	0520-B8	Replacement Engine
1330	276781	Repair Manual
1395	690370	Screw (Air Cleaner Base)