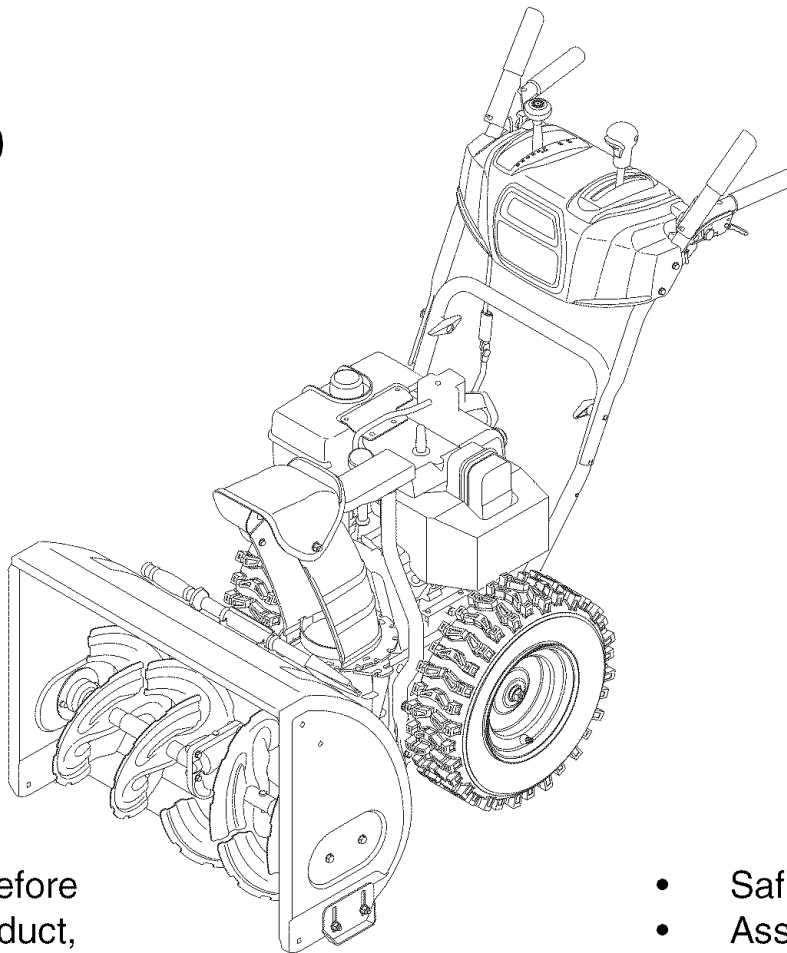


# Owner's Manual



9 Horse Power  
28" Two-Stage  
**Snow Thrower**

Model No.  
**247.88790**



**CAUTION:** Before using this product, read this manual and follow all safety rules and operating instructions.

- Safety
- Assembly
- Operation
- Service
- Maintenance
- Español, p.37

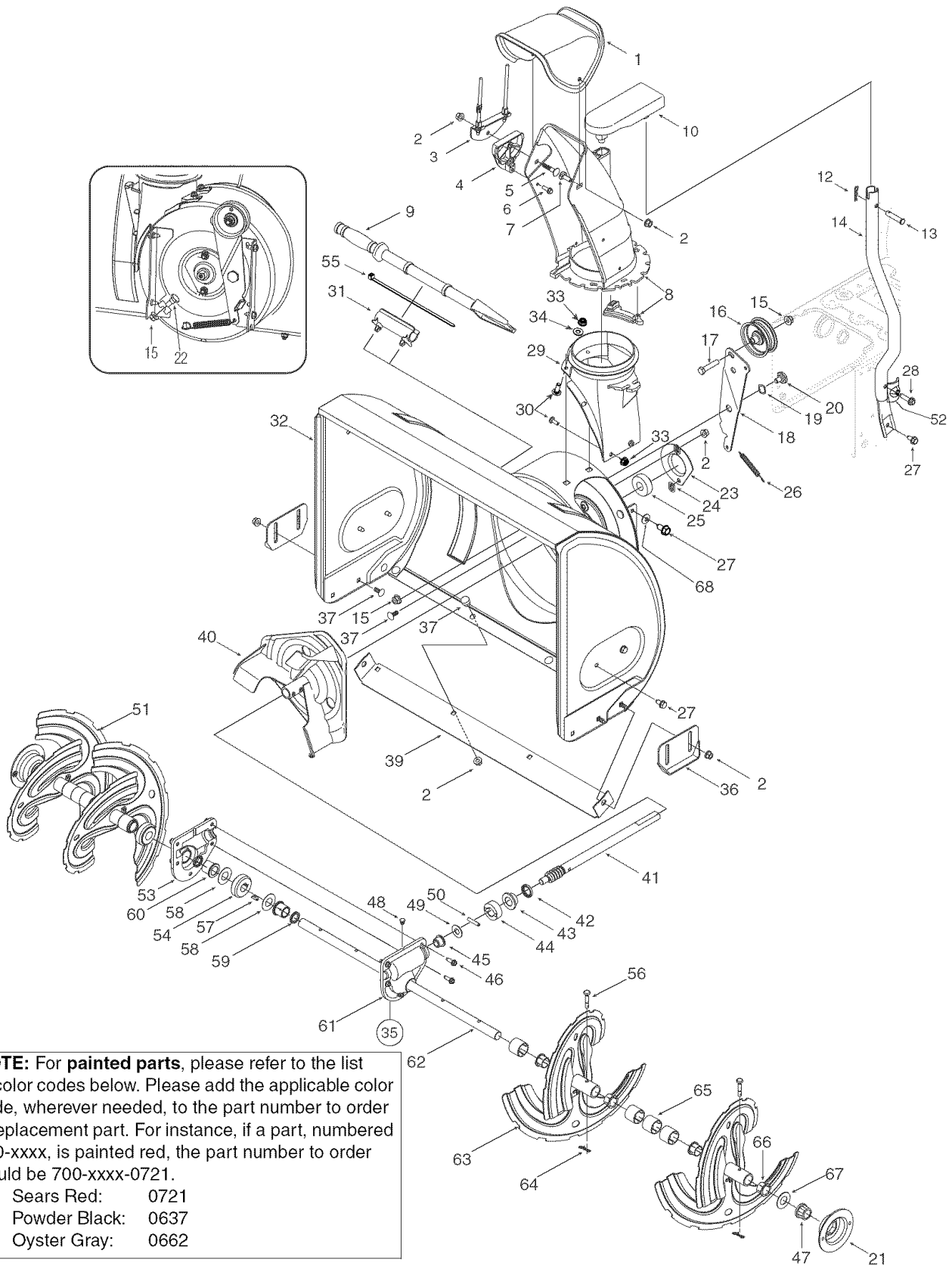
**Sears, Roebuck And Co., Hoffman Estates, IL 60179, U.S.A.**

Visit our website: [www.sears.com/craftsman](http://www.sears.com/craftsman)  
Printed in U.S.A.

FORM NO. 770-10057L  
(8/27/2004)

# PARTS LIST

## Craftsman 9 H.P. Snow Thrower Model 247.88790



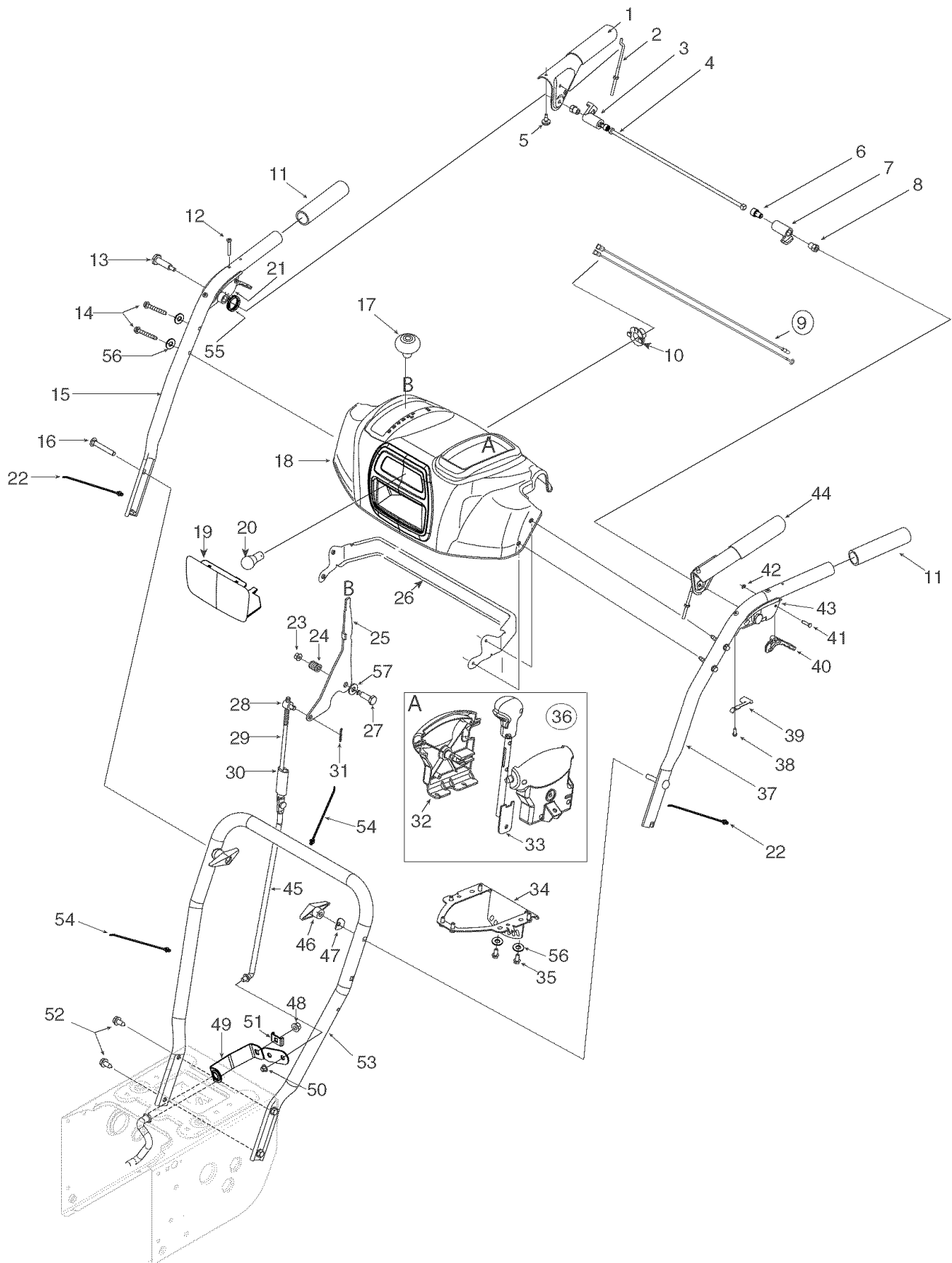
**NOTE:** For **painted parts**, please refer to the list of color codes below. Please add the applicable color code, wherever needed, to the part number to order a replacement part. For instance, if a part, numbered 700-xxxx, is painted red, the part number to order would be 700-xxxx-0721.

Sears Red: 0721  
 Powder Black: 0637  
 Oyster Gray: 0662

## Craftsman 9 H.P.Snow Thrower Model 247.88790

Ref. No.	Part No.	Description	Ref. No.	Part No.	Description
1.	731-04427A	Upper Chute	36.	784-5580	Slide Shoe
2.	712-04063	Flange Lock Nut, 5/16-18	37.	710-0451	Carriage Bolt
3.	784-5594	Cable Bracket	39.	790-00118	Shave Plate
4.	731-1313C	Chute Tilt Cable Guide	40.	684-04057	Impeller Assembly
5.	710-0262	Carriage Bolt, 5/16-18 x 1.50	41.	717-04126	Worm Shaft
6.	710-0895	Hi-Lo Screw, 1/4-15 x 0.75	42.	721-0327	Oil Seal
7.	710-04071	Carriage Bolt, 5/16-18 x 1.0	43.	741-0662	Flange Bearing
8.	631-04132	Lower Chute Assembly	44.	718-04071	Thrust Collar
9.	731-2643	Clean-Out Tool	45.	741-0663	Flange Bearing
10.	684-04116	4-Way Chute Control™ Assembly	46.	710-0642	TT Screw, 1/4-20 x 0.75
12.	714-0104	Cotter Pin	47.	741-0245	Hex Flange Bearing
13.	711-0415	Clevis Pin	48.	721-0325	Plug
14.	749-04155	Chute Support Tube	49.	736-3084	Flat Washer
15.	712-04065	Flange Lock Nut	50.	715-04021	Dowel Pin
16.	756-0981A	Flat Idler Pulley	51.	684-04108	Spiral Assembly- RH
17.	710-0347	Hex Bolt, 3/8-16 x 1.75	52.	784-5599	Handle Tab
18.	790-00080	Auger Idler Bracket	53.	618-0123	Reducer Hsg.-RH (Incl Ref. 59-60)
19.	736-0174	Wave Washer	54.	717-0528A	Worm Gear, 20T
20.	738-0281	Shoulder Screw	55.	725-0157	Cable Tie
21.	790-00087	Bearing Housing	56.	738-04124	Shear Pin
22.	738-0143	Shoulder Screw	57.	714-0161	Key
23.	790-00075	Bearing Housing	58.	736-0351	Flat Washer
24.	726-04012	Push Nut	59.	721-0179	Oil Seal
25.	741-0309	Ball Bearing	60.	741-0661A	Flange Bearing
26.	732-0611	Extension Spring	61.	618-0124	Reducer Hsg.-LH (Incl Ref. 59-60)
27.	710-0726	AB Screw, 5/16-12 x 0.75	62.	711-04283	Auger Axle
28.	710-0909A	TT Screw, 5/16-18 x 1.750	63.	684-04107	Spiral Assembly- LH
29.	731-04705	Chute Adapter	64.	714-04040	Bow Tie Cotter Pin
30.	710-0703	Carriage Screw, 1/4-20 x 0.75	65.	731-04870	Spacer
31.	731-2635	Clean-out Tool Mtg. Bracket	66.	741-0493A	Flange Bushing
32.	684-04073	Auger Housing Assembly: 28"	67.	736-0188	Flat Washer
33.	712-04064	Flange Lock Nut, 1/4-20	68.	736-0242	Bell Washer
34.	736-0463	Flat Washer	—	629-0071	Extension Cord (Not Shown)
35.	618-04173	Gearbox Assembly Complete			

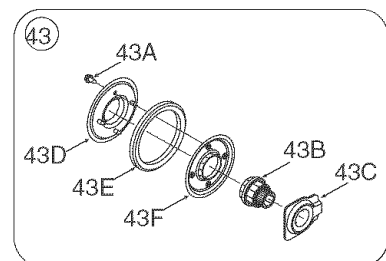
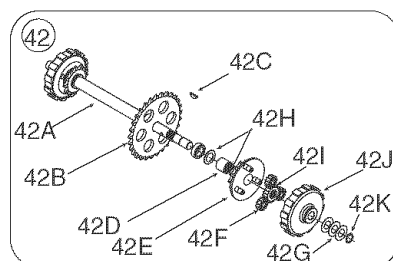
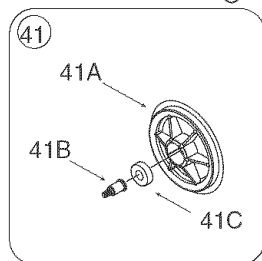
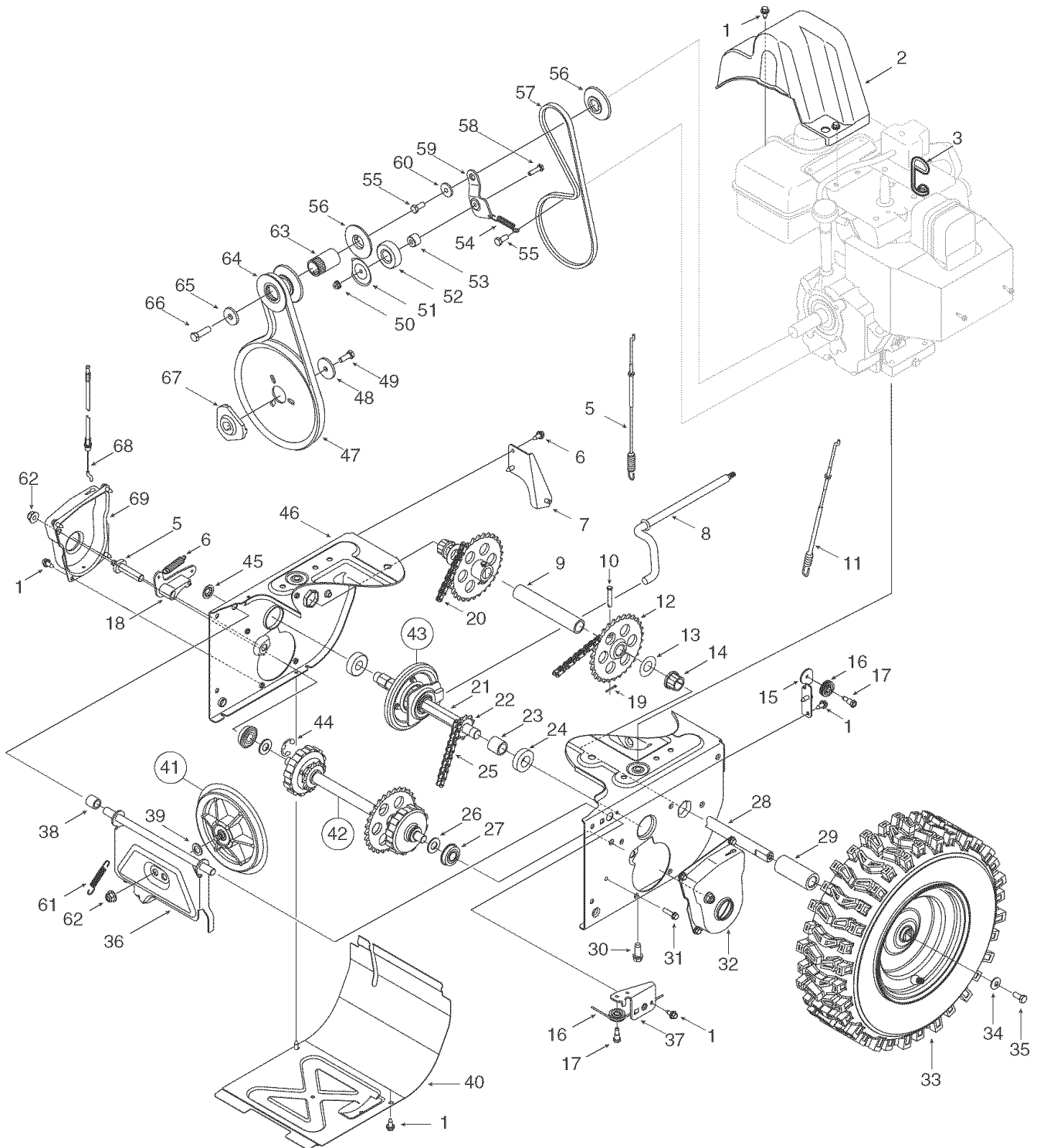
# Craftsman 9 H.P. Snow Thrower Model 247.88790



## Craftsman 9 H.P. Snow Thrower Model 247.88790

Ref. No.	Part No.	Description	Ref. No.	Part No.	Description
1.	684-04112	Handle Engagement Assembly RH	30.	750-0963	Shift Rod Connector
2.	746-0778	Cable Z Fitting	31.	714-0104	Hairpin Clip
3.	731-04894	Lock Plate	32.	753-04864	Joystick Housing w/Fasteners
4.	711-04287	Pivot Rod	33.	753-04863	Knob Assembly w/ Trigger
5.	735-0199A	Rubber Bumper	34.	790-00155	Joystick Mounting Bracket
6.	710-04354	Screw, 1/4-20 x.375	35.	710-04187	Hi-Lo Screw, 1/4-15 x 0.5
7.	731-04896	Clutch Lock Cam	36.	684-04116	4-Way Chute Control™ Assembly
8.	712-04081A	Shoulder Nut, 1/4-20	37.	749-04142	Upper Handle LH
9.	725-04214	Wire Harness	38.	710-04326	Screw, #8-16 x 0.50
10.	725-1649	Light Socket	39.	732-04219	Clutch Lock Spring
11.	720-0274	Handle Grip	40.	731-04913	Steering Control
12.	710-1233	Screw, #10-24 x 0.375	41.	738-04126	Pin, 3/16
13.	738-04122	Shoulder Screw, 1/4-20 x 1.345	42.	716-04036	E Ring
14.	710-1026	Screw, 1/4-20 x 1.750	43.	631-04133	Handle Clutch Lock - LH
15.	749-04141	Upper Handle RH	44.	684-04111	Handle Engagement Assembly LH
16.	710-0449	Carriage Screw, 5/16-18 x 2.25	45.	747-04266	Lower Shift Control Rod
17.	720-04039	Shift Knob	46.	720-0284	Handle Knob Assembly
18.	631-04146	Handle Panel	47.	736-0451	Saddle Washer
19.	731-04876	Lens	48.	712-04063	Flange Lock Nut, 5/16-18
20.	725-04213	Lamp	49.	732-04205	Shift Arm
21.	631-04134	Handle Clutch Lock - RH	50.	726-0135	Speed Nut
22.	725-0157	Cable Tie	51.	790-00156	Shift Bracket Spacer
23.	712-04064	Flange Lock Nut, 1/4-20	52.	710-0726	AB Screw, 5/16-12 x 0.75
24.	732-0193	Compression Spring	53.	749-04138	Lower Handle
25.	790-00130	Shift Lever	54.	726-0470	Cable Tie
26.	790-00140	Panel Bracket	55.	732-04238	Torsion Spring
27.	738-04125	Shoulder Screw	56.	736-0463	Washer, Flat,.25 x.630 x.0515
28.	711-0677	Ferrule	57.	736-0262	Washer, Flat,.385 x.870 x.092
29.	747-04348	Upper Shift Rod			

# Craftsman 9 H.P. Snow Thrower Model 247.88790

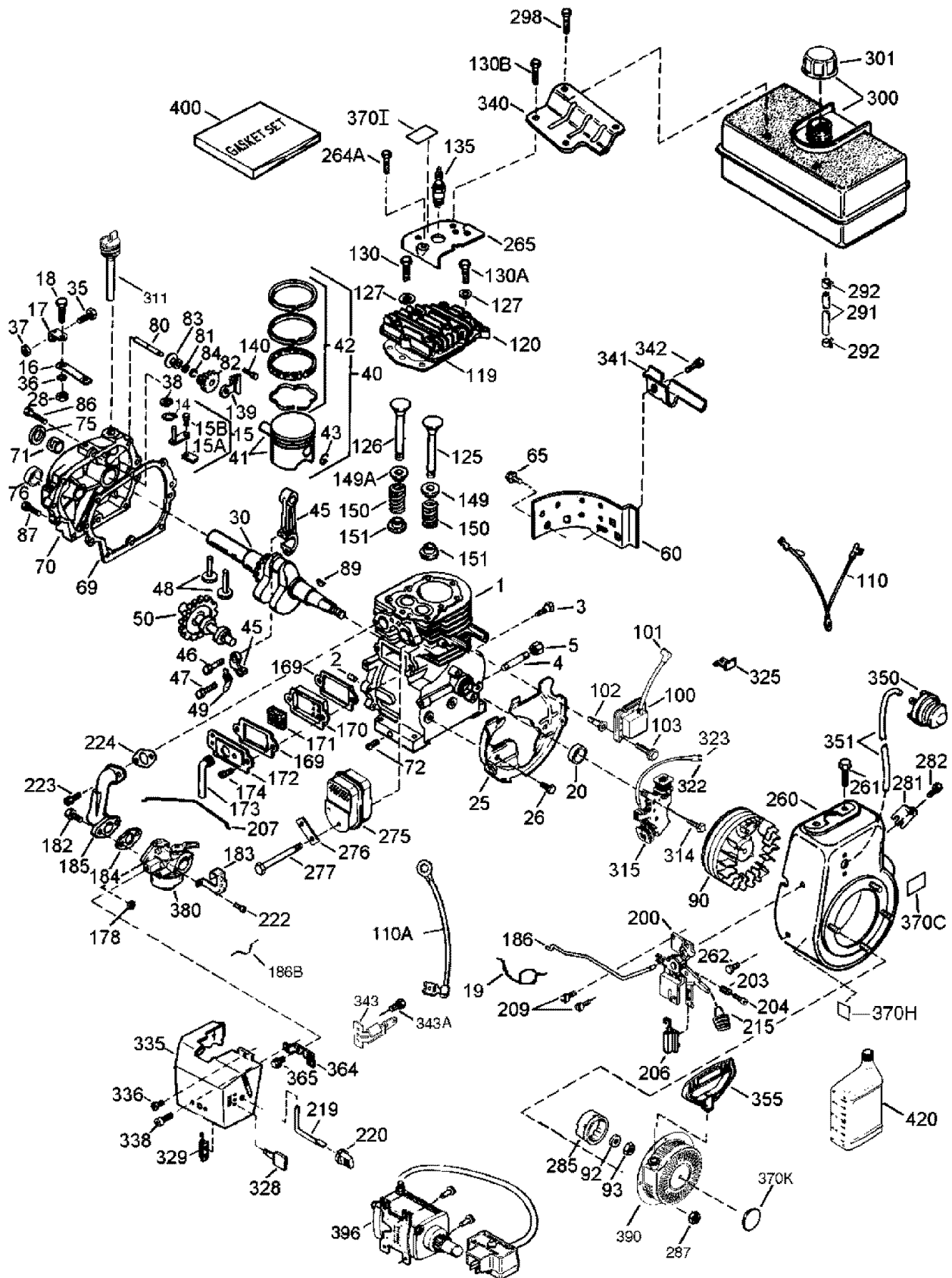




## Craftsman 9 H.P. Snow Thrower Model 247.88790

Ref No.	Part No.	Description	Ref No.	Part No.	Description
1.	710-1652	AB Screw, 1/4-20 x 0.625	B.	713-04010	Sprocket
2.	731-04792	Belt Cover	C.	714-0214	Key
3.	732-0705	Cable Guide	D.	750-1177	Spacer
4.	711-1268A	Actuator Shaft	E.	618-0577A	Planetary Carr. Assembly
5.	746-04086	Drive Clutch Cable	F.	717-1209A	Gear, 12T
6.	732-0209	Extension Spring	G.	736-0502	Flat Washer
7.	790-00055	Roller Bracket	H.	736-0336	Flat Washer
8.	684-04140	Shift Rod Assembly	I.	717-1210A	Gear, 18T
9.	750-04312	Axle Support Tube	J.	717-1495B	Planetary Ring Gear
10.	711-1364	Clevis Pin	K.	716-0194	Retainer Ring
11.	746-0897	Auger Clutch Cable	43.	684-04066	Friction Wheel Assembly
12.	713-04009	Sprocket	A.	710-1652	AB Screw, 1/4-20 x 0.625
13.	736-0351	Flat Washer	B.	718-04070	Friction Wheel Hub
14.	741-0245	Hex Flange Bearing	C.	618-04169	Bearing Assembly
15.	784-5687A	Auger Clutch Cable Guide	D.	790-00011	Friction Plate
16.	756-0625	Cable Roller	E.	735-0243B	Friction Wheel Rubber
17.	738-0924	C Screw, 1/4-28 x 0.375	F.	790-00010	Friction Plate
18.	618-0043	Dogg Assembly - RH	44.	716-0136	Retainer Ring
—	618-0044	Dogg Assembly - LH (not shown)	45.	726-0221	Speed Nut
19.	714-0507	Hairpin Clip	46.	790-00073	Wheel Drive Frame
20.	713-0286	Chain	47.	756-04109	Auger Pulley
21.	711-04270	Drive Shaft	48.	736-0505	Flat Washer
22.	713-04015	Sprocket	49.	710-1245B	Hex Bolt, 5/16-24 x 0.875
23.	750-1162	Spacer	50.	712-04064	Flange Lock Nut, 1/4-20
24.	741-0600	Ball Bearing	51.	790-00062	Bearing Washer
25.	713-04011	Chain	52.	741-0919	Ball Bearing
26.	736-0626	Flat Washer	53.	750-04230	Spacer
27.	741-04076	Ball Bearing	54.	732-0710	Extension Spring
28.	738-04105A	Axle	55.	710-0627	Hex Bolt, 5/16-24 x 0.75
29.	731-04873	Spacer	56.	756-04114	Pulley Half
30.	710-0654A	TT Sems Screw, 3/8-16 x 1.0	57.	754-0456	V-Belt, 3/8 x 28.6
31.	710-0788	TT Screw, 1/4-20 x 1.0	58.	710-0597	Hex Bolt, 1/4-20 x 1.0
32.	790-00056	Shaft Retainer - LH	59.	790-00082	Drive Clutch Idler Bracket
33.	634-04145	Wheel Complete - LH	60.	748-0234	Shoulder Spacer
—	634-04146	Wheel Complete - RH (Not Shown)	61.	732-0264	Extension Spring
34.	736-0242	Bell Washer	62.	712-0711	Jam Nut, 3/8-24
35.	710-0627	Hex Bolt, 5/16-24 x 0.75	63.	750-04303	Spacer
36.	684-04045	Friction Wheel Support Bracket	64.	756-04113	Pulley Half
37.	790-00096	Auger Cable Guide Bracket	65.	736-0247	Flat Washer
38.	748-0190	Spacer	66.	710-0191	Hex Bolt, 3/8-24 x 1.25
39.	736-0300	Flat Washer	67.	748-04053	Pulley Adapter
40.	790-00054	Frame Cover	68.	746-0956	Steering Cable
41.	656-0012A	Friction Wheel Disc Assembly	69.	790-00057	Shaft Retainer - RH
A.	756-0648A	Friction Wheel Disc	70.	736-0105	Bell Washer
B.	738-0865	Friction Disc Bearing Pin	71.	712-04065	Flange Lock Nut, 3/8-16
C.	741-0600	Ball Bearing	72.	754-04050	V-Belt, .500 x 35.00 Lg
42.	618-04116	Drive Shaft Assembly	73.	710-0602	TT Screw, 5/16-18 x 1.00
A.	711-04271	Drive Shaft			

Tecumseh 9 H.P. Engine LA318SA-156554 For Craftsman Snow Thrower Model 247.88790





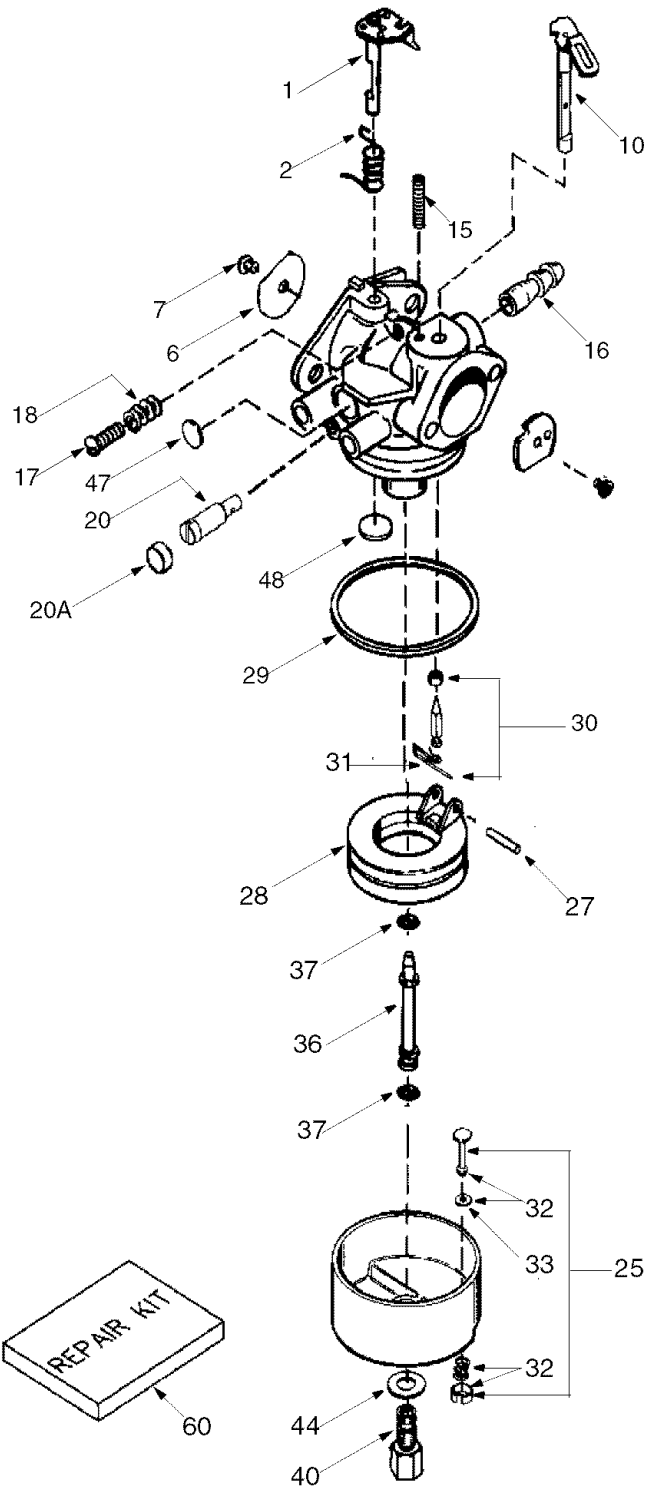
## Tecumseh 9 H.P. Engine LA318SA-156554 For Craftsman Snow Thrower Model 247.88790

Key No.	Part No.	Description	Key No.	Part No.	Description
1.	35385	Cylinder	92.	650880	Lock Washer
2.	27652	Dowel Pin	93.	650881	Flywheel Nut
3.	650820	Screw, 1/4-20 x 0.5"	100.	35135A	Solid State Ignition (Incl. 101)
5.	30969	Extension Cap	101.	610118	Spark Plug Cover
14.	28277	Washer	102.	651024	Solid State Mounting Stud
15.	30699C	Governor Rod	103.	651007	Screw, T-15, 10-24 x 15/16"
15B.	650494	Screw, 6-40 x 5/16"	110.	35187	Ground Wire
16.	33454A	Governor Lever	110A.	37047	Ground Wire
17.	29916	Governor Lever Clamp	119.	36448	Cylinder Head Gasket
18.	651028	Screw, T-15, 8-32 x 7/16"	120.	36449	Cylinder Head
19.	34663	Speed Control Spring	125.	27878A	Exhaust Valve (Std.incl. 151)
20.	35319	Oil Seal	125.	27880A	Exhaust Valve (1/32" OS incl.151)
25.	37853	Blower Housing Baffle	126.	34035	Intake Valve (Std.) (Incl. 151)
26.	650561	Screw, 1/4-20 x 19/32"	127.	650691	Washer
28.	30322	Lock Nut, 8-32	130.	6021A	Screw, 5/16-18 x 1-1/2"
30.	35980A	Crankshaft	130A.	650727	Screw, 5/16-18 x 1-25/32"
35.	29826	Screw, 10-32 x 3/4"	130B.	651055	Screw, 5/16-18 x 39/64"
36.	29918	Lock Washer	135.	35395	Resistor Spark Plug (RJ19LM)
37.	29216	Lock Nut, 10-32	139.	33369	Governor Gear Bracket
38.	29642	Retaining Ring	140.	650836	Screw, 10-24 x 1/2"
40.	40011	Piston, Pin & Ring Set (Std.)	149.	27882	Valve Spring Cap
40.	40012	Piston, Pin & Ring Set (.010" OS)	149A.	35862	Valve Spring Cap
41.	40009	Piston, Pin & Ring Set (Std. incl. 43)	150.	27881	Valve Spring
41.	40010	Piston, Pin & Ring Set (.010" OS incl. 43)	151.	32581	Valve Spring Keeper
42.	40013	Ring Set (Std.)	169.	27896A	Valve Cover Gasket
42.	40014	Ring Set (.010" OS)	170.	28423	Breather Body
43.	27888	Piston Pin Retaining Ring	171.	28424	Breather Element
45.	36897	Connecting Rod Assembly (incl. 47 & 49)	172.	28425	Valve Cover
47.	651033	Connecting Rod Bolt	173.	35350	Breather Tube
48.	34034	Valve Lifter	174.	650128	Screw, 10-24 x 1/2"
49.	36896	Oil Dipper	178.	29752	Nut & Lock Washer, 1/4-28
50.	36655	Camshaft (MCR)	182.	30088A	Screw, 1/4-28 x 1"
60.	33273A	Blower Housing Extension	183.	34587A	Choke Bracket
65.	650128	Screw, 10-24 x 1/2"	184.	33263	Carburetor To Intake Pipe Gasket
69.	37342	Cylinder Cover Gasket	185.	33877	Intake Pipe
70.	35445B	Cylinder Cover (Incl. 71,75,76,80-84)	186.	34667	Governor Link
71.	35377	Crankshaft Bushing	186B.	36652	Choke Spring
72.	27642	Oil Drain Plug	200.	34677	Control Bracket (Incl. 19, 203, 204 & 206)
75.	35319	Oil Seal	203.	31342	Compression Spring
76.	28926	Camshaft Seal	204.	651029	Screw, T-10, 5-40 x 7/16"
80.	37587	Governor Shaft	206.	610973	Terminal
81.	651080	Washer	207.	33878	Throttle Link
82.	37588	Governor Gear Ass'y. (Incl. 81)	209.	650821	Screw, 10-32 x 1/2"
83.	30588A	Governor Spool	215.	35440	Control Knob
84.	29193	Retaining Ring	219.	34586	Choke Rod
86.	650833	Screw, 1/4-20 x 1-3/16"	220.	35438	Choke Knob
87.	650832	Screw, 1/4-20 x 1-11/16"	222.	28820	Screw, 10-32 x 1/2"
89.	32589	Flywheel Key	223.	650378	Screw, T-30, 5/16-18 x 1-3/32"
90.	611093	Flywheel (W/Ring Gear)	224.	27915A	Intake Pipe Gasket

## Tecumseh 9 H.P. Engine LA318SA-156554 For Craftsman Snow Thrower Model 247.88790

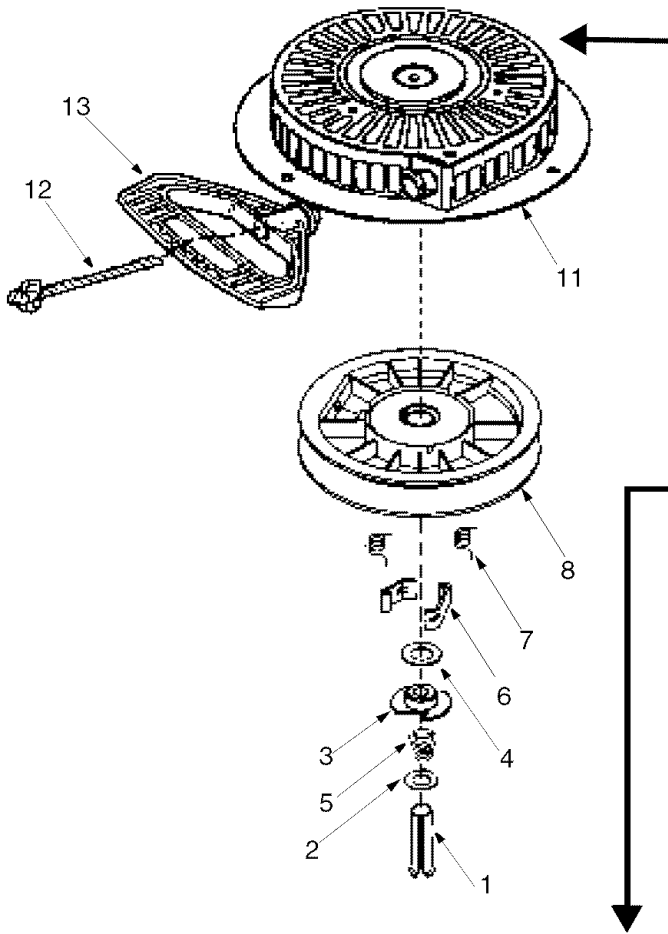
Key No.	Part No.	Description	Key No.	Part No.	Description
260.	35447A	Blower Housing	329.	610973	Terminal
261.	650788	Screw, 5/16-18 x 3/4"	335.	36547	Carburetor Cover
262.	651084	Screw, 5/16-18 x 9/16"	336.	650765	Screw, 10-32 x 1/2"
264A.	650802	Screw, 1/4-20 x 5/8"	338.	28942	Screw, 10-32 x 3/8"
265.	33272D	Cylinder Head Cover (Black)	340.	34154	Fuel Tank Bracket
275.	35056	Muffler	341.	34155	Fuel Tank Bracket
276.	31588	Locking Plate	342.	650561	Screw, 1/4-20 x 19/32"
277.	651002	Screw, 5/16-18 x 4-3/16"	343.	35079A	Key Switch Bracket (Incl. 343A)
281.	33013	Starter Bubble Cover	343A.	651060	Screw, 10-32 x 23/64"
282.	650760	Screw, 8-32 x 3/8"	350.	570682A	Primer Ass'y.
285.	35985B	Starter Cup	351.	32180C	Primer Line
287.	29752	Nut & Lock Washer, 1/4-28	355.	590574	Starter Handle
291.	30962	Fuel Line	364.	37659	Carburetor Cover Bracket
292.	26460	Fuel Line Clamp	365.	650767	Screw, 8-32 x 27/64"
298.	650665	Screw, 1/4-15 x 7/8"	370C.	36501	Primer Decal
300.	34186A	Fuel Tank (Incl. 292 & 301)	370H.	35077	Choke Decal
301.	35355	Fuel Cap	370I.	37119	Warning Decal
311.	35942	Oil Fill Plug	370K.	36695	Starter Decal
314.	650873	Screw, 1/4-20 x 3/4"	380.	640052	Carburetor (Incl. 184)
315.	611111	Alternator Coil (18 Watt) (Incl. 322 & 323)	390.	590749	Rewind Starter
322.	611117	Connector Body	396.	33329E	Electric Starter Motor (Optional)
323.	611118	Terminal	400.	36450C	Gasket Set
325.	29443	Wire Clip	420.	730226A	SAE 5W30, 4-Cycle Engine Oil (Quart)
328.	35062	Ignition Keys			

# Tecumseh 9 H.P. Engine LA318SA-156554 For Craftsman Snow Thrower Model 247.88790



Key No.	Part No.	Description
0	640052	Carburetor
1	631776A	Throttle Shaft & Lever Assembly
2	631970	Throttle Return Spring
6	631778	Throttle Shutter
7	650506	Shutter Screw
10	632112	Choke Shaft & Lever Assembly
14	632174	Choke Shutter
15	630735	Choke Positioning Spring
16	632164	Fuel Fitting
17	650417	Throttle Crack Screw/Idle Speed Screw
18	630766	Tension Spring
20	640016	Idle Restrictor Screw
20A	640053	Idle Restrictor Screw Cap
25	631951	Float Bowl Ass'y (Incl. 32 & 33)
27	631024	Float Shaft
28	632765	Float
29	631028	Float Bowl "O" Ring
30	631021	Inlet Needle, Seat & Clip (Incl. 31)
31	631022	Spring Clip
32	27136A	Bowl Drain Assembly
33	27554	Drain Plunger Gasket
36	640005	Main Nozzle Tube
37	632547	"O" Ring, Main Nozzle Tube
40	640055	High Speed Bowl Nut
44	27110	Bowl Nut Washer
47	630748	Welch Plug, Idle Mixture Well
48	631027	Welch Plug, Atmospheric Vent
60	632760	Repair Kit

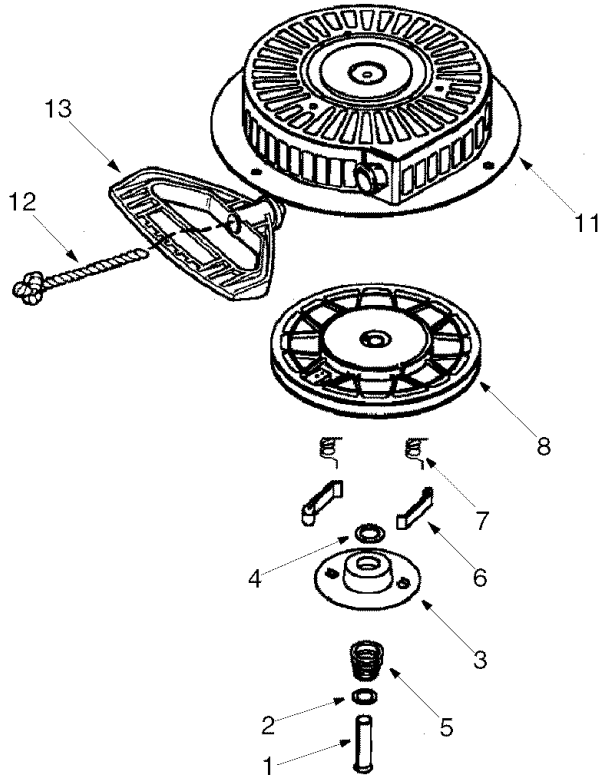
Tecumseh 9 H.P. Engine LA318SA-156554 For Craftsman Snow Thrower Model 247.88790



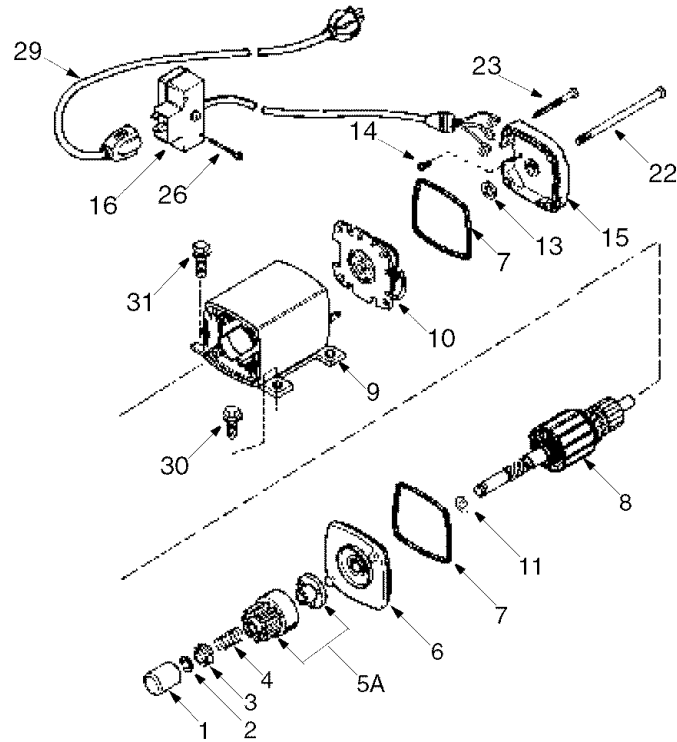
Key No.	Part No.	Description
0	590749	<b>Rewind Starter</b>
1	590599A	Spring Pin (Incl. 4)
2	590600	Washer
3	590679	Retainer
4	590601	Washer
5	590678	Brake Spring
6	590680	Starter Dog
7	590412	Dog Spring
8	590682	Pulley & Rewind Spring Assembly
11	590750A	Starter Housing Assembly
12	590535	Starter Rope (Length 98" x 9/64" dia.)
13	590574	Mitten Grip Handle (optional)

Key No.	Part No.	Description
0	590733	<b>Rewind Starter</b>
1	590599A	Spring Pin (Incl. 4)
2	590600	Washer
3	590696	Retainer
4	590601	Washer
5	590697	Brake Spring
6	590698	Starter Dog
7	590699	Dog Spring
8	590709	Pulley & Rewind Spring Assembly
11	590734A	Starter Housing Assembly
12	590535	Starter Rope (Length 98" x 9/64" dia.)
13	590574	Mitten Grip Handle (optional)



# Tecumseh 9 H.P. Engine LA318SA-156554 For Craftsman Snow Thrower Model 247.88790



<b>0</b>	<b>33329E</b>	<b>Electric Starter 110 Volt (optional)</b>
1	33451	Dust Cover
2	33842	Retainer Ring
3	33430	Spring Retainer
4	33431	Anti-Drift Spring
5A	37050	Gear & Nut (Incl. 2)
6	35449	Drive End Cap Assembly
7	35450	"O" Ring
8	35915	Armature
9	35451B	Housing Assembly
10	35452A	Brush Card Assembly
11	35911	Thrust Washer
13	590500	Thrust Washer
14	33441	Ground Screw
15	35453	Commutator End Cap Assembly
16	35454	Switch Box Ass'y.
22	35455	Case Bolt
23	35456	Ground Screw
26	650819	Screw, 6-32 X 2-1/2"
26	651032	Screw, 12-16 x 5/8"
29	32450B	Extension Cord (10'6")
30	30063	Screw, Torx T-30, 1/4-20 X 1/2"
31	650820	Screw, 1/4-20 X 1/2"