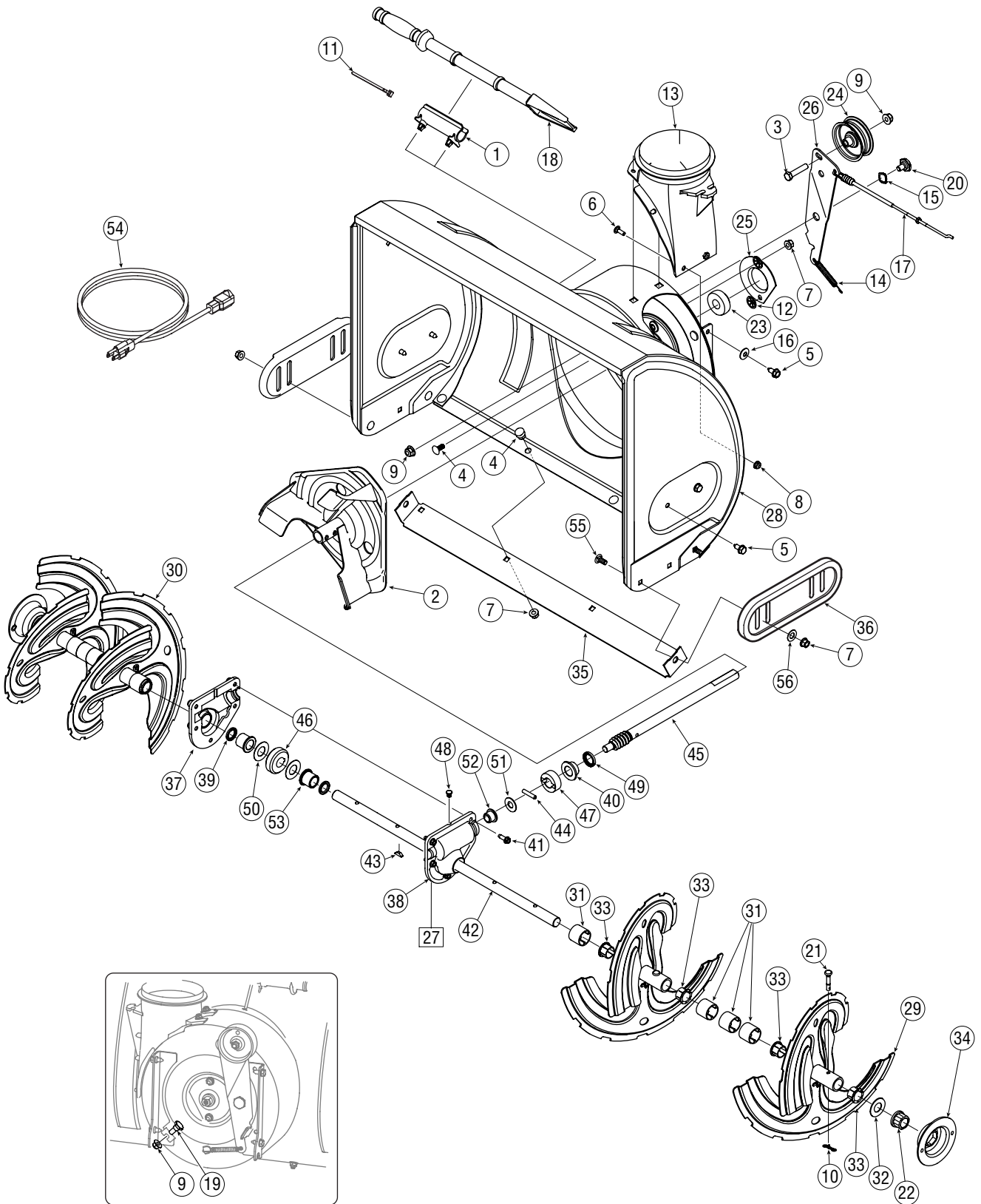


# PARTS LIST

Craftsman Snow Thrower Model 247.88690



# PARTS LIST

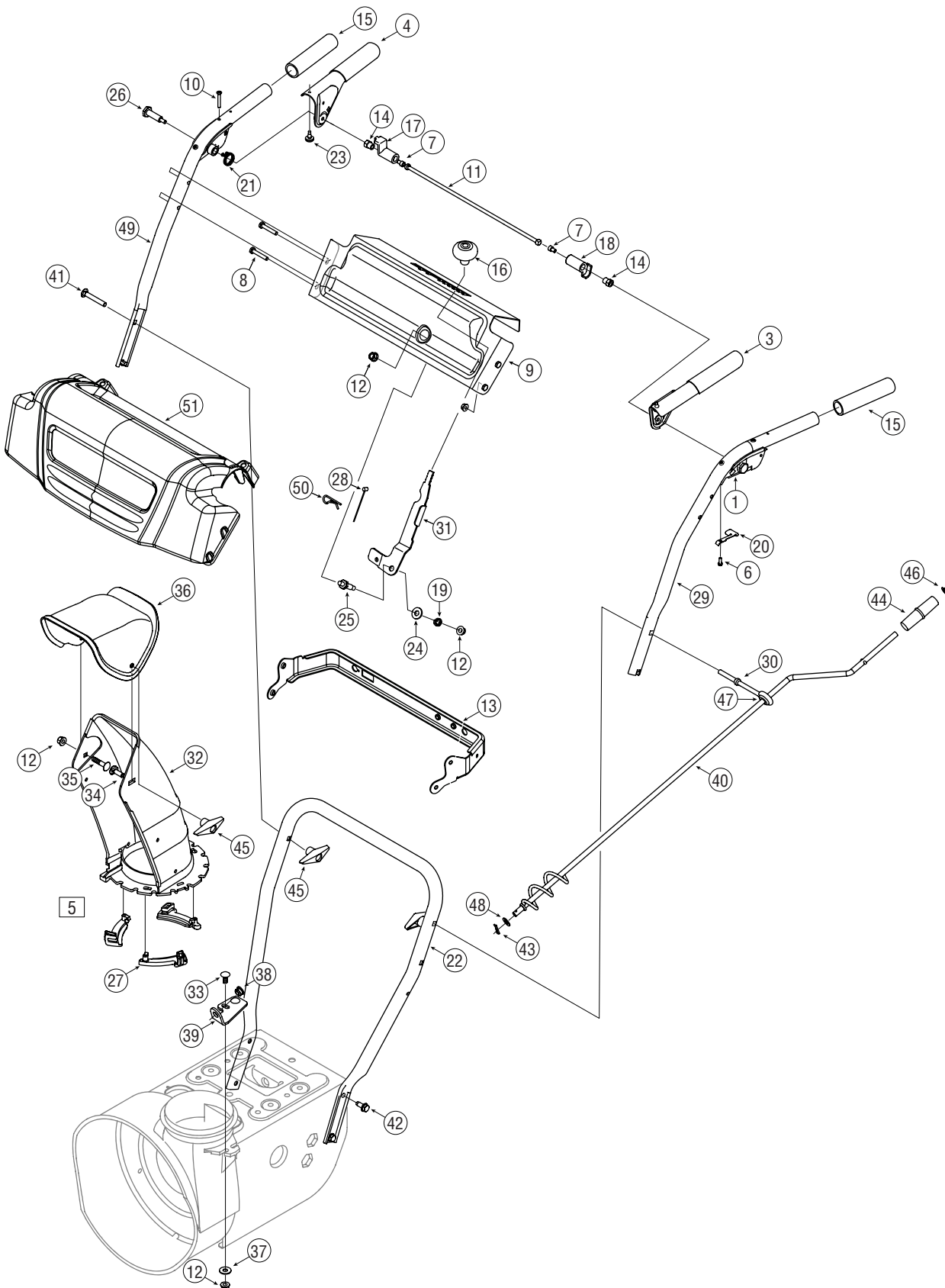
## Craftsman Snow Thrower Model 247.88690

Ref. No.	Part No.	Description
1.	731-2635	Snow Removal Tool Mount
2.	684-04057A	Impeller Assembly, 12" Dia.
3.	710-0347	Hex Screw, 3/8-16, 1.75, Gr5
4.	710-0451	Bolt, Carriage, 5/16-18, .750 Gr1
5.	710-04484	Screw, 5/16-18, 0.750
6.	710-0703	Screw, Carriage, 1/4-20, .750, Gr5
7.	712-04063	Nut, Flange Lock, 5/16-18, Nylon
8.	712-04064	Nut, Flange Lock, 1/4-20, Nylon
9.	712-04065	Nut, Flange Lock, 3/8-16, Nylon
10.	714-04040	Cotter Pin, Bow-tie
11.	725-0157	Cable, Tie, 3/16 x .05 x 7.4
12.	726-04012	Nut, Push-on, .25 Dia
13.	731-04705	Chute, Adapter 5" Dia
14.	732-04460	Spring, Extension, .38 OD x 4.59
15.	736-0174	Washer, Wave, .625 x .885 x .015
16.	736-0242	Washer, Bell, .340 x .872 x .060
17.	746-04230	Clutch Cable, Auger, 47.23"
18.	731-2643	Snow Removal Tool
19.	738-0143	Screw, Shoulder, .498 x .34, 3/8-16
20.	738-0281	Screw, Shoulder, .625 x .17, 3/8-16
21.	738-04124A	Shear Pin, .25 x 1.50
22.	741-0245	Bearing, Hex Flange x .75 ID
23.	741-0309	Bearing, Ball, .75 ID x 1.85 OD
24.	756-0981B	Flat Pulley, Idler, 2.75 OD
25.	790-00075	Housing, Bearing, 1.85 ID
26.	790-00080A	Bracket, Auger Idler w/ Brake
27.	618-04173A	Gearbox Assembly, Auger, 28"
28.	684-04268	Housing Assembly, Auger 28"

Ref. No.	Part No.	Description
29.	684-04107	Spiral Assembly, LH
30.	684-04108	Spiral Assembly, RH
31.	731-04870	Spacer, 1.25 OD x .75 ID x 1.00
32.	736-0188	Washer, Flat, .76 x 1.49 x .06
33.	741-0493A	Bushing, Flange, .80 ID x .91 OD
34.	790-00087A	Housing, 1" Hex Bearing
35.	790-00118	Shave Plate, 2.25 x 27.66
36.	731-05984A	Slide Shoe
37.	618-0123A	Housing, Auger, RH Reduced
38.	618-0124A	Housing, Auger, LH Reduced
39.	721-0338	Seal, Oil, .750 x 1.00 x .125
40.	741-0662	Bearing, Flange, .75 x 1.0 x .59
41.	710-0642	Screw, Self-tapping, 1/4-20, 0.750
42.	711-04283	Axle, Auger, 28"
43.	714-0161	Key, Hi-pro 3/16 x 5/8
44.	715-04021	Pin, Dowel, .25 OD x 1.2
45.	717-04126	Shaft, Worm .75 OD
46.	717-0528A	Gear, Worm 20T
47.	718-04071	Collar, Thrust
48.	721-0325	Plug, 1/4 x .437
49.	721-0327	Seal, Oil, .75 x 1 x .131
50.	736-0351	Washer, Flat, .760 ID x 1.5 OD
51.	736-3084	Washer, Flat, .51 x 1.12
52.	741-0663	Bearing, Flange, .75 x 1.0 x .925
53.	741-0661A	Bearing, Flange, .75 x 1.00 x .975
54.	629-0071	Extension Cord, 110V
55.	710-0276	Screw, Carriage, 5/16-18 x 1.00
56.	736-0159	Washer, Flat, .349 x .879 x .063

# PARTS LIST

Craftsman Snow Thrower Model 247.88690



# PARTS LIST

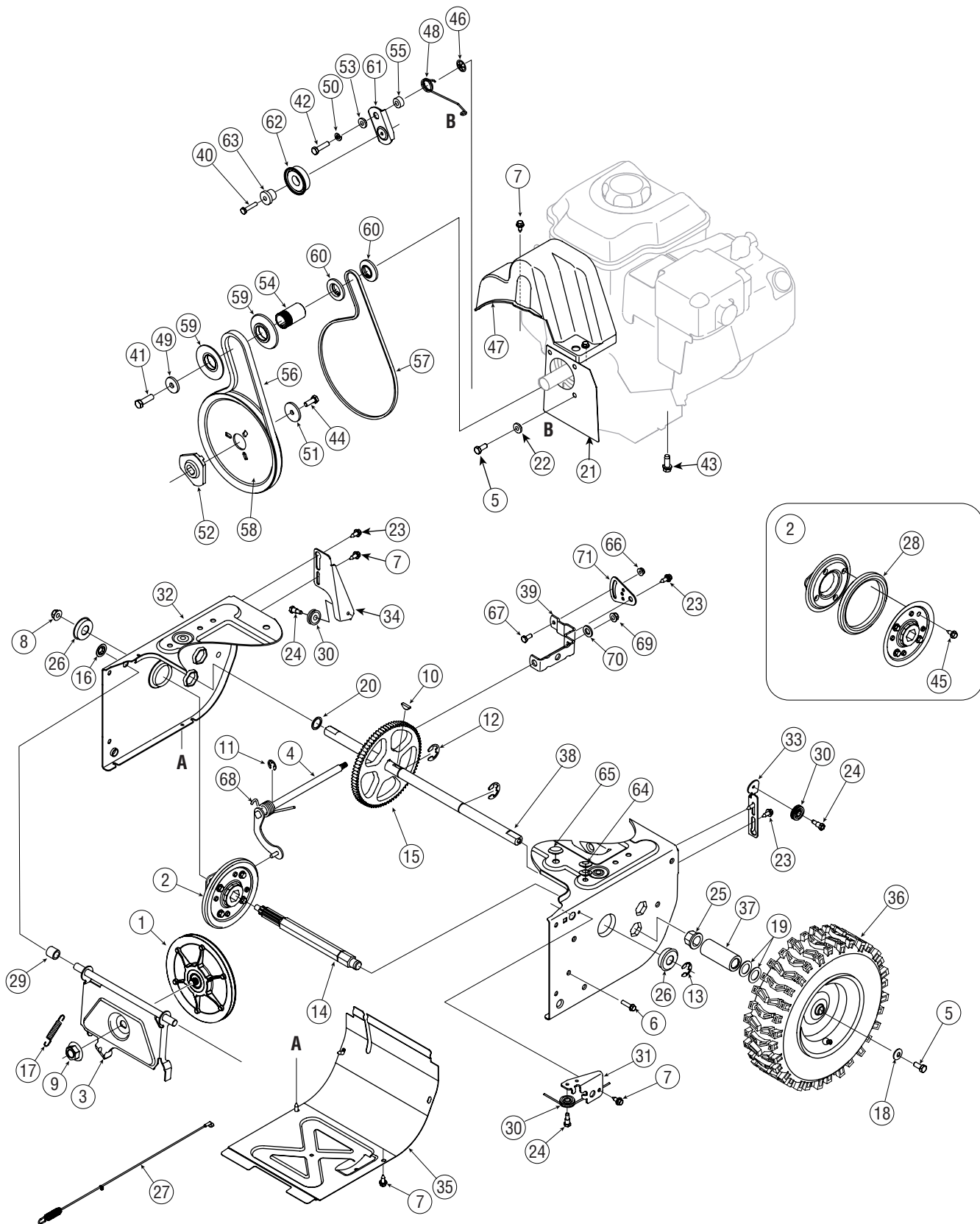
## Craftsman Snow Thrower Model 247.88690

Ref. No.	Part No.	Description
1.	631-04133A	Handle Assembly, Clutch Lock, LH
2.	631-04134B	Handle Assembly, Clutch Lock, RH
3.	684-04111B	Handle Ass'y, Engage, LH
4.	684-04112B	Handle Ass'y, Engage, RH
5.	631-04131B	Chute Assembly (Includes Ref. # 27)
6.	710-04326	Screw, #8-16 x .50
7.	710-3069	Screw, 1/4-20, .50
8.	710-04586	Screw, 1/4-20, 1.625, Gr5
9.	790-00219	Panel, Handle, (no cutout)
10.	710-1233	Screw, Machine, #10-24, 1.375
11.	684-04250	Pivot Rod
12.	712-04063	Nut, Flange Lock, 5/16-18, Nylon
13.	790-00248B	Bracket, Panel
14.	712-04081A	Nut, Hex, 1/4-20, Shoulder
15.	720-0274	Grip, 1.0 ID x 5.0
16.	720-04039	Knob, Shift, Black
17.	731-04894D	Lock Plate
18.	731-04896B	Cam, Clutch Lock
19.	732-0193	Spring, .39 x .60 x .88
20.	732-04219C	Spring, Clutch Lock
21.	732-04238	Spring, Torsion, 0.8156 ID x .3038
22.	749-04138A	Handle, Lower
23.	735-0199A	Bumper, Rubber, .62 OD x .22
24.	736-0262	Washer, Flat, .385 x .870 x .092
25.	738-04118	Bolt, Shoulder, 5/16-18 x 0.905
26.	738-04348	Screw, Shoulder, .43 x 1.3, 1/4-20

Ref. No.	Part No.	Description
27.	731-04869	Chute, Flange Keeper
28.	746-04397	Cable, Speed Selector
29.	749-04191A	Handle, Upper, LH
30.	747-04263	Eye Bolt, Chute Crank
31.	790-00313	Shift Lever
32.	731-04912B	Chute, Lower, 5.0 Dia.
33.	710-0276	Bolt, Carriage, 5/16-18, 1.0
34.	710-04071	Bolt, Carriage, 5/16-18, 1.0
35.	710-0451	Bolt, Carriage, 5/16-18, .750
36.	731-04426A	Chute, Upper, w/ Label
37.	736-0159	Washer, .349 x .879 x .063
38.	741-0475	Bushing, Plastic, .380
39.	784-5647	Bracket, Chute Crank
40.	684-04104	Crank Assembly, Chute
41.	710-0449	Screw, Carriage, 5/16-18, 2.25
42.	710-04484	Screw, 5/16-18, 2.25, Gr5
43.	714-0104	Pin, Cotter, .072 x 1.13
44.	720-0201A	Crank Knob, 1.0 Dia. x 3.2, Black
45.	720-0284	Knob, 5/16-18, Black
46.	726-0100	Cap, Push, 3/8 Rod
47.	735-0234	Grommet, .44 ID x .94 OD x .50
48.	736-0185	Washer, Flat, .375 x .738 x .063
49.	749-04190A	Handle, Upper, RH
50.	714-0145	Click Pin
51.	731-06471	Handle Panel Cover

# PARTS LIST

Craftsman Snow Thrower Model 247.88690



# PARTS LIST

## Craftsman Snow Thrower Model 247.88690

Ref. No.	Part No.	Description
1.	656-04025A	Disc Assembly, Friction Wheel
2.	684-04153	Friction Wheel Assembly, 5.5 OD
3.	684-04154	Support Bracket, Friction Wheel
4.	684-04156A	Shift Assembly, Rod
5.	710-0627	Hex Screw, 5/16-24, .750, Gr5
6.	710-0788	Screw, 1/4-20, 1.000
7.	710-1652	Screw, 1/4-20 x .625
8.	712-04065	Nut, Flange Lock, 3/8-16, Nylon
9.	712-0417A	Nut, Flange, 5/8-18
10.	714-0126	Key, Hi Pro, 3/16 x 3/4 Dia.
11.	716-0104	E-ring, .500 Dia.
12.	716-0136	E-ring, Retaining, .875 Dia.
13.	716-0231	E-ring, .750 Dia.
14.	717-04209A	Hex Shaft, .8125, 7-Tooth
15.	717-04230	Gear, 80-Tooth
16.	726-0221	Speed Nut, .500
17.	732-0264	Extension Spring
18.	736-0242	Washer, Bell, .340 x .872 x .060
19.	736-0287	Washer, Flat, .793 x 1.24 x .060
20.	736-04161	Washer, Flat, .75 x 1.00 x .060
21.	790-00289A	Plt., Cvr.
22.	748-0234	Shoulder Spacer
23.	738-04184A	Screw, Shoulder, .37 x .105, 1/4-20
24.	738-0924A	Screw, 1/4-28, .375
25.	741-0245	Bearing, Hex Flange x .75 ID
26.	741-0563	Bearing, Ball, 17 x 40 x 12
27.	746-04229	Clutch Cable, Wheel, 44.95"
28.	735-04054	Rubber, Friction Wheel, 5.5 OD
29.	748-0190	Spacer, .508 ID x .75 OD x .68
30.	756-0625	Roller, Cable
31.	790-00096	Front Guide Bracket, Auger Cable
32.	790-00180A	Frame
33.	790-00206A	Guide Bracket, Auger Cable
34.	790-00207A	Guide Bracket, Drive Cable
35.	790-00316	Cover, Frame
36.	634-04147A	LH Wheel Assembly, 15 x 5 x 6

Ref. No.	Part No.	Description
	634-04148A	RH Wheel Assembly, 15 x 5 x 6
37.	731-04873	Spacer, 1.25 x .75 x 3.0
38.	738-04168	Axle, .75 x 22"
39.	790-00218A	Shift Bracket, Speed Selector
40.	710-0809	Hex Screw, 1/4-20, 1.25, Gr5
41.	710-0191	Hex Screw, 3/8-24, 1.25, Gr8
42.	710-0672	Hex Screw, 5/16-24, 1.25, Gr5
43.	710-0654A	Screw, Sems, 3/8-16, 1.00
44.	710-1245B	Hex Screw, 5/16-24, .875, Gr8
45.	710-0896	Screw, 1/4-20 x .625
46.	726-04012	Nut, Push-on, .25 Dia.
47.	731-04792A	Cover, Belt
48.	732-04308A	Spring, Torsion, .850 ID x .354
49.	736-0247	Washer, Flat, .406 x 1.25 x .157
50.	736-0119	Washer, Lock .3125
51.	736-0505	Washer, Flat, .34 x 1.50 x .150
52.	748-04053A	Pulley, Adapter, .75 Dia.
53.	748-04112A	Spacer, Shoulder, .317 x .50 x .102
54.	750-04303	Spacer, .875 ID x 1.185 OD
55.	750-04477	Spacer, .340 x .750 x .360
56.	754-04050	Belt, Auger Drive
57.	754-0367	Belt, Wheel Drive
58.	756-04109	Pulley, Auger Drive, 8.1 x .5
59.	756-04113	Pulley, Half, V x 2.600 OD
60.	756-04252	Pulley, Half, 3/8-V x 1.7160 OD
61.	790-00208C	Idler Bracket, Wheel Drive
62.	684-04169	Idler Pulley Assembly
63.	750-04571	Spacer, Shoulder, .26 x .79 x .538
64.	735-04099	Plug, 3/8 ID
65.	735-04100	Plug, 1/2 ID
66.	712-04064	Nut, Flange Lock, 1/4-20, Nylon
67.	710-0751	Hex Screw, 1/4-20, .620, Gr5
68.	732-04311	Spring, Torsion, .750 ID x .968
69.	712-04063	Nut, Flange Lock, 5/16-18, Nylon
70.	736-3015	Wash., Flat, .469 x .875 x .105
71.	790-00217A	Pivot Bracket, Speed Selector

# PARTS LIST

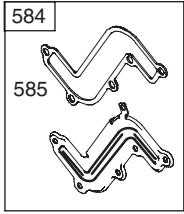
## Craftsman Engine Model 15C103-0661 For Snow Thrower Model 247.88690

1058 OPERATOR'S MANUAL

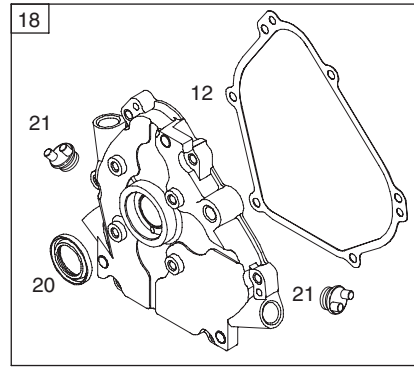
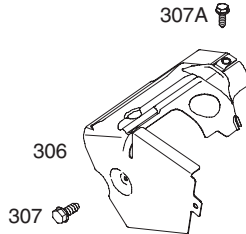
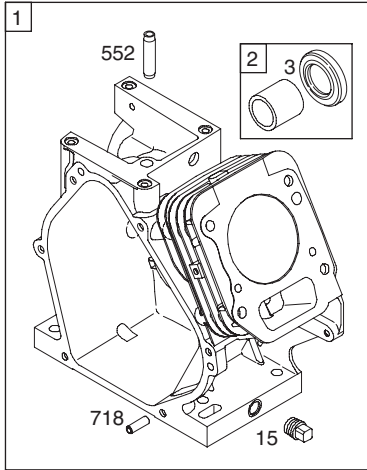
48 SHORT BLOCK

1329 REPLACEMENT ENGINE

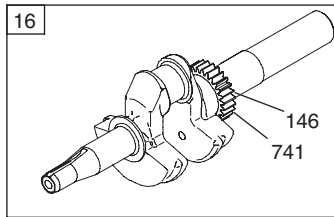
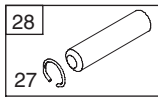
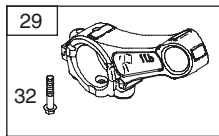
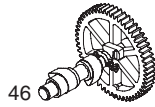
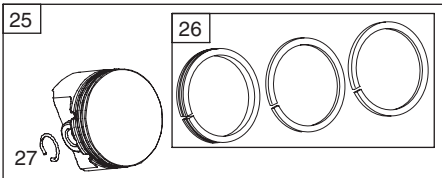
1330 REPAIR MANUAL



684

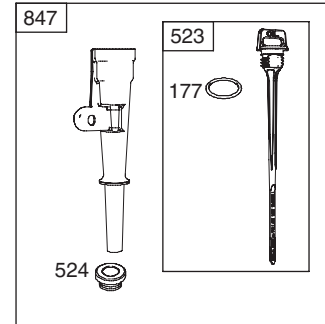


998  
1427

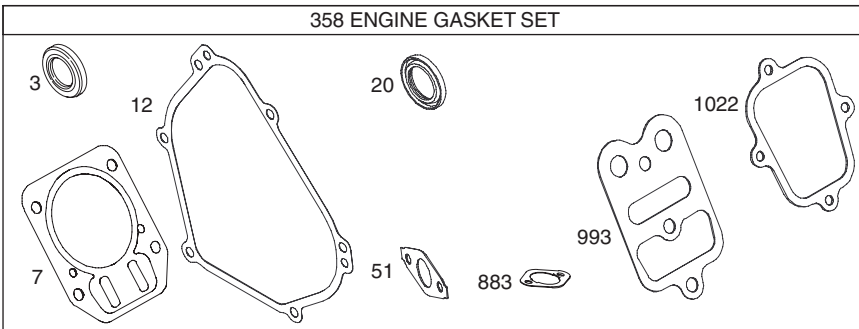


24  
598

287

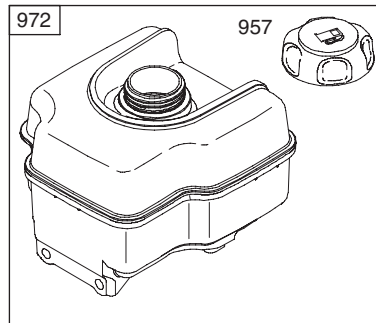
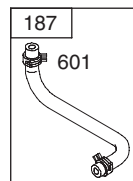
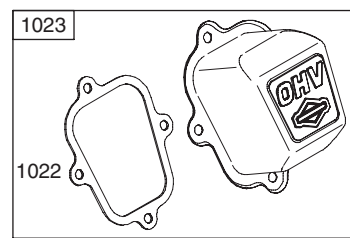
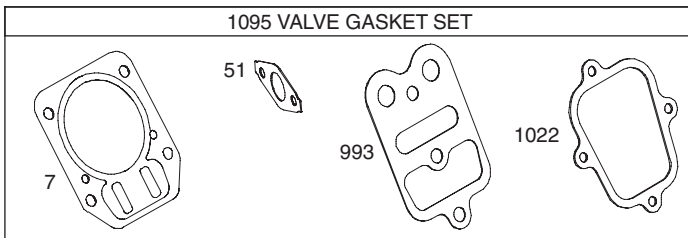
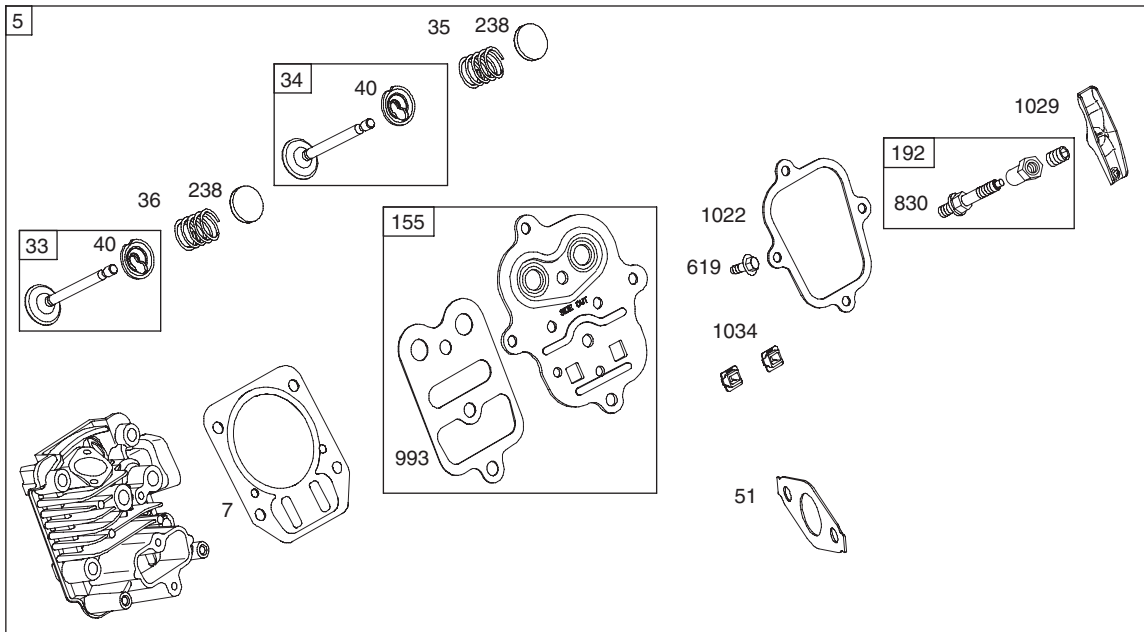
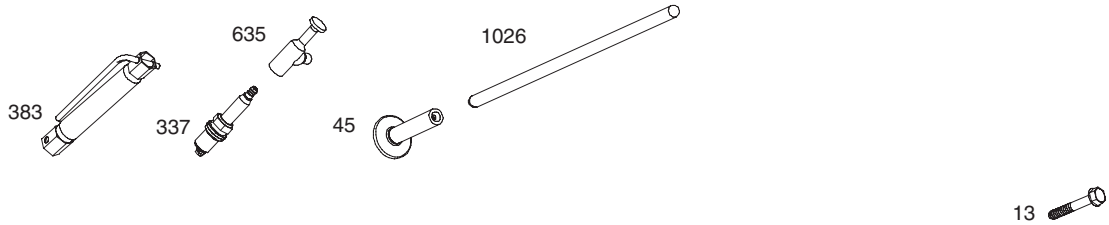


524



# PARTS LIST

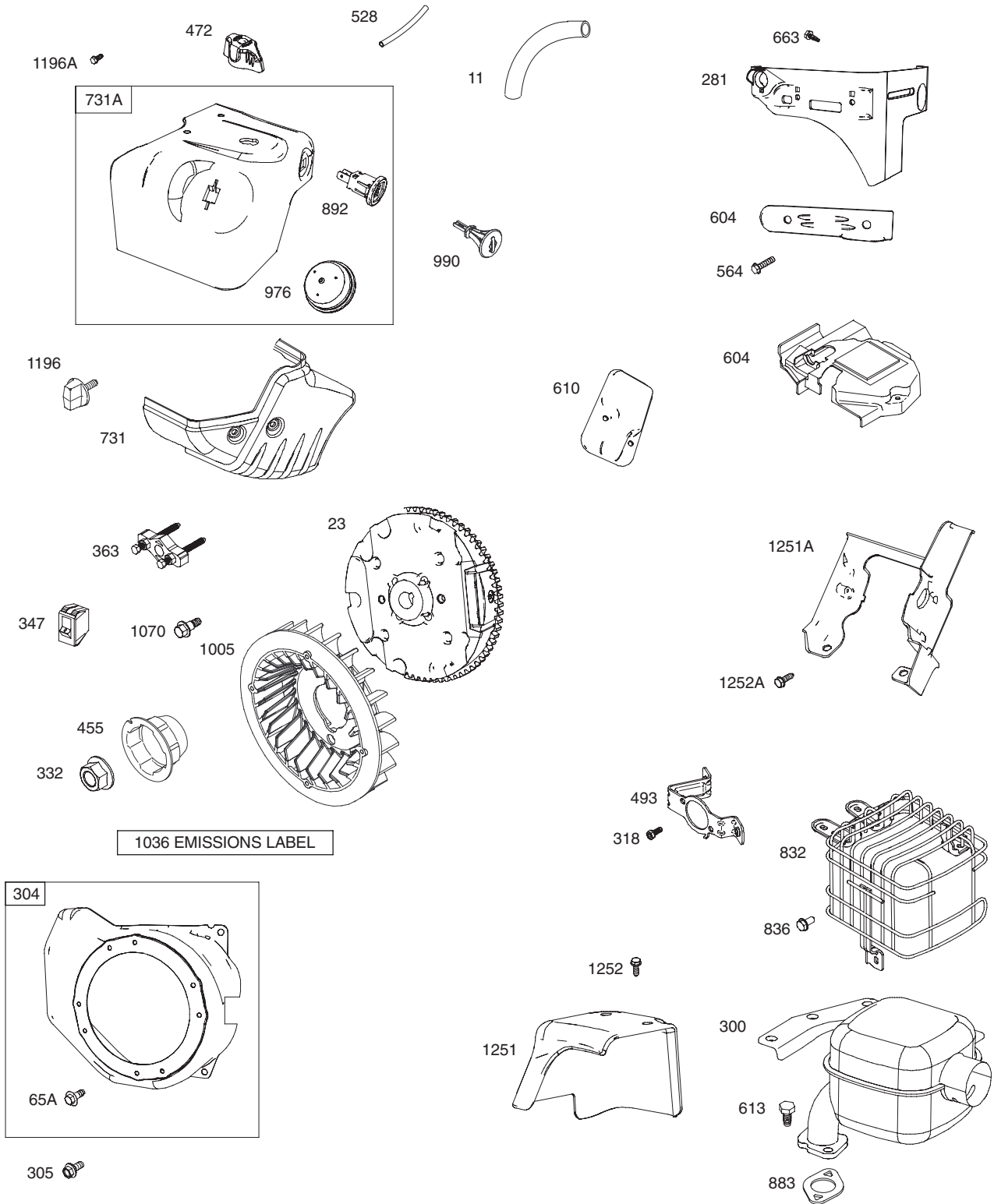
Craftsman Engine Model 15C103-0661 For Snow Thrower Model 247.88690





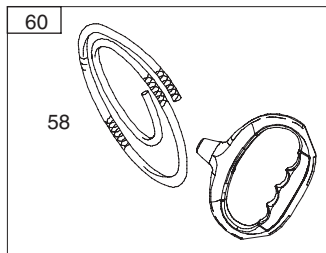
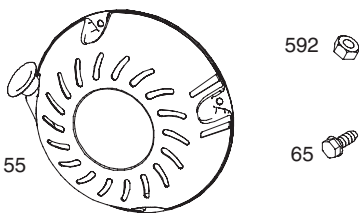
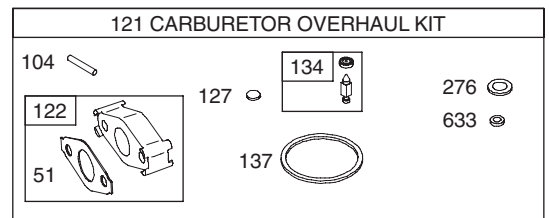
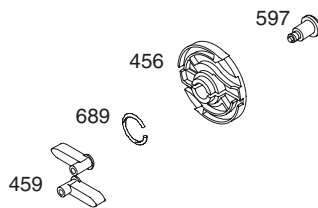
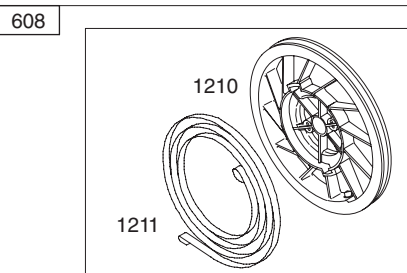
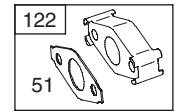
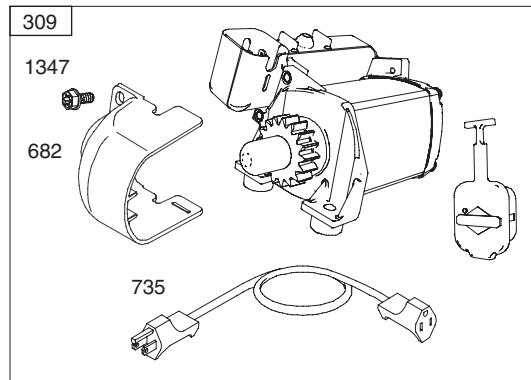
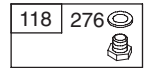
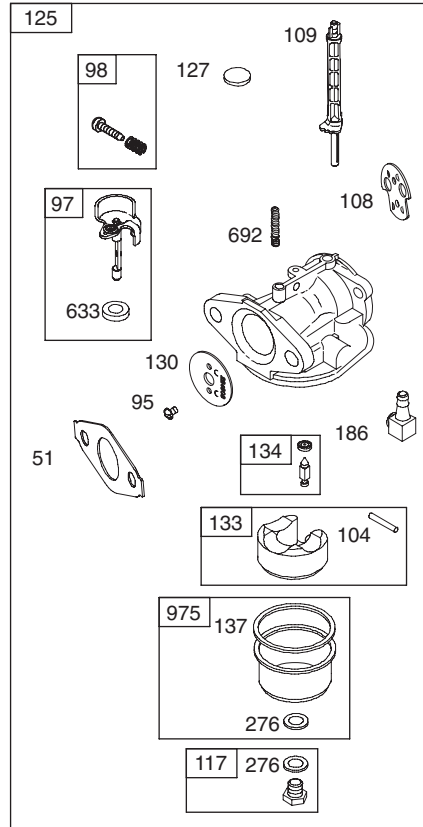
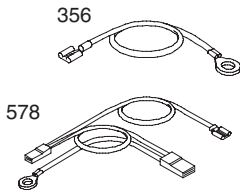
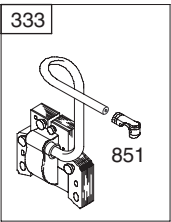
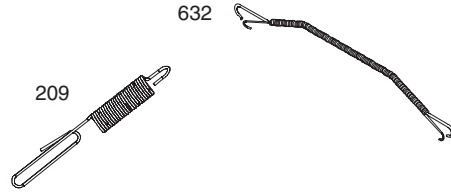
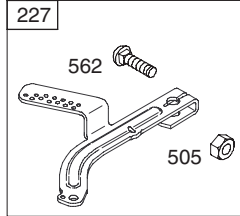
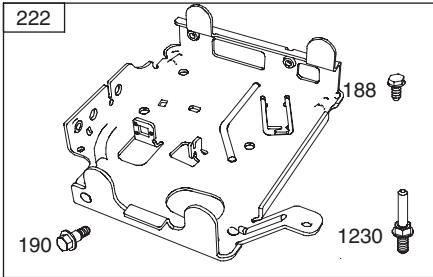
# PARTS LIST

Craftsman Engine Model 15C103-0661 For Snow Thrower Model 247.88690



# PARTS LIST

## Craftsman Engine Model 15C103-0661 For Snow Thrower Model 247.88690



# PARTS LIST

## Craftsman Engine Model 15C103-0661 For Snow Thrower Model 247.88690

Ref. No.	Part No.	Description
1	794188	Cylinder Assembly
2	399269	Kit-Bushing/Seal (Magneto Side)
3	299819s •	Seal-Oil (Magneto Side)
5	791720	Head-Cylinder
7	791716 •+	Gasket-Cylinder Head
11	695745	Tube-Breather
12	699485 •	Gasket-Crankcase
13	699482	Screw (Cylinder Head)
15	691686	Plug-Oil Drain
16	795116	Crankshaft
18	699696	Cover-Crankcase
20	692550 •	Seal-Oil (PTO Side)
21	281658s	Cap-Oil Fill
22	699478	Screw (Crankcase Cover/Sump)
23	699516	Flywheel
24	222698s	Key-Flywheel
25	791786	Piston Assembly (Standard)
	791791	Piston Assembly (.020" Oversize)
26	791787	Ring Set (Standard)
	791792	Ring Set (.020" Oversize)
27	690975	Lock-Piston Pin
28	690229	Pin-Piston
29	791783	Rod-Connecting
32	791784	Screw (Connecting Rod)
33	499642	Valve-Exhaust
34	499641	Valve-Intake
35	691304	Spring-Valve (Intake)
36	691304	Spring-Valve (Exhaust)
40	692194	Retainer-Valve
45	690977	Tappet-Valve
46	693404	Camshaft
48	N/A	Short Block
51	791718 Ø•+	Gasket-Intake
55	696710	Housing-Rewind Starter
58	693389	Rope-Starter
60	699334	Grip-Starter Rope

Ref. No.	Part No.	Description
65	690937	Screw (Rewind Starter) (SAE)
65A	699228	Screw (Rewind Starter) (Metric)
95	691636	Screw (Throttle Valve)
97	690024	Shaft-Throttle
98	398185 Ø	Kit-Idle Speed
104	691242 Ø	Pin-Float Hinge
108	695807	Valve-Choke
109	791954	Shaft-Choke
117	691428	Jet-Main (Standard)
118	690048	Jet-Main (High Altitude)
121	792006	Kit-Carburetor Overhaul
122	791717	Spacer-Carburetor
125	794588	Carburetor
127	691739 Ø	Plug-Welch
130	691181	Valve-Throttle
133	398187	Float-Carburetor
134	398188	Kit-Needle/Seat
137	693981 Ø	Gasket-Float Bowl
146	690979	Key-Timing
155	698214	Plate-Cylinder Head
177	795015	Seal-O Ring (Dipstick)
186	692317	Connector-Hose (Carburetor)
187	791874	Line-Fuel (Formed)
188	699479	Screw (Control Bracket)
190	699220	Screw (Fuel Tank)
192	694543	Ball-Rocker Arm
209	692571	Spring-Governor
219	693578	Gear-Governor
220	691724	Washer (Governor Gear)
222	793100	Bracket-Control
227	794367	Lever-Governor Control
238	691300	Cap-Valve
276	271716	Washer-Sealing
281	793122	Panel-Control
300	794728	Muffler
304	699598	Housing-Blower

# PARTS LIST

## Craftsman Engine Model 15C103-0661 For Snow Thrower Model 247.88690

Ref. No.	Part No.	Description
305	699480	Screw (Blower Housing)
306	695710	Shield-Cylinder
307	699483	Screw (Cylinder Shield) (M4)
307A	699234	Screw (Cylinder Shield) (M5)
307B	790557	Screw (Cylinder Shield) (M4)
309	793667	Motor-Starter
318	690370	Screw (Mounting Bracket)
332	792723	Nut (Flywheel)
333	695711	Armature-Magneto
334	699477	Screw (Magneto Armature)
337	491055s	Plug-Spark
347	698338	Switch-Rocker
356	695630	Wire-Stop
358	791797	Gasket Set-Engine
363	19203	Puller-Flywheel
365	699484	Screw (Carburetor)
383	19374s	Wrench-Spark Plug
455	692591	Cup-Flywheel
456	692299	Plate-Pawl Friction
459	281505s	Pawl-Ratchet
472	791948	Knob-Choke Shaft
493	695744	Bracket-Mounting
505	691251	Nut (Governor Control Lever)
523	790546	Dipstick
524	281370s	Seal-Dipstick Tube
528	793006	Hose-Primer
552	692346	Bushing-Governor Crank
562	691119	Bolt (Governor Control Lever)
564	699854	Screw (Control Cover)
578	791956	Wire Assembly
584	791759	Cover-Breather Passage
585	791760	Gasket-Breather Passage
592	690800	Nut (Rewind Starter)
597	691696	Screw (Pawl Friction Plate)
598	220624	Shim-End Play
601	791850	Hose-Clamp

Ref. No.	Part No.	Description
604	793134	Cover-Control
604A	790473	Cover-Control
608	699335	Starter-Rewind
610	794614	Arrester-Intake
613	791972	Screw (Muffler)
615	692576	Retainer-Governor Shaft
616	692547	Crank-Governor
619	699480	Screw (Cylinder Head Plate)
632	692653	Spring/Link-Mechanical Governor
633	691321 Ø	Seal-Choke/Throttle Shaft (Throttle Shft)
635	692927	Boot-Spark Plug
663	699854	Screw (Control Panel)
682	698039	Shield-Starter
684	791761	Screw (Breather Passage Cover)
689	691855	Spring-Friction
692	690572	Spring-Detent
718	690959	Pin-Locating (Cylinder)
731	794589	Hood-Snow
731A	793643	Hood-Snow
741	695087	Gear-Timing
742	692564	Retainer-E Ring
746	790278	Gear-Idle
830	694544	Stud-Rocker Arm
832	793193	Guard-Muffler
836	699584	Screw (Muffler Guard)
847	790545	Dipstick/Tube Assembly
851	493880s	Terminal-Spark Plug
883	691893 •	Gasket-Exhaust
892	791944	Switch-Key
914	699480	Screw (Rocker Cover) (M6)
914A	692557	Screw (Rocker Cover) (1/3 Inches Long)
914B	697551	Screw (Rocker Cover) (2/3 Inches Long)
957	795027	Cap-Fuel Tank
972	694260	Tank-Fuel
975	790559	Bowl-Float
976	793382	Primer-Carburetor

# PARTS LIST

## Craftsman Engine Model 15C103-0661 For Snow Thrower Model 247.88690

Ref. No.	Part No.	Description
990	794696	Key Set
993	694088	Gasket-Cylinder Head Plate
996	794687	Shield-Carburetor
998	794701	Pipe-Oil
1005	692592	Fan-Flywheel
1009	790537	Screw (Starter Motor)
1022	691890 •+	Gasket-Rocker Cover
1023	499924	Cover-Rocker
1026	790287	Rod-Push
1029	691230	Arm-Rocker
1034	691343	Guide-Push Rod
1036		Label-Emissions
1054	280275	Tie-Cable
1058	277104	Operator's Manual
1070	699201	Screw (Flywheel Fan)
1095	791798	Gasket Set-Valve
1196	696692	Screw (Snow Hood)
1196A	699854	Screw (Snow Hood)
1210	498144	Pulley/Spring Assembly (Pulley)
1210A	498144	Pulley/Spring Assembly (Spring)
1230	699847	Stud (Control Bracket)
1251	790555	Shield-Snow
1251A	790556	Shield-Snow
1252	699234	Screw (Snow Shield) (M5)
1252A	699632	Screw (Snow Shield) (M6)
1329	15D11140017	Replacement Engine
1330	272147	Repair Manual
1347	699200	Screw (Starter Shield)
1427	695757	Cap-Pipe

- Included in Engine Gasket Set, Key Number 358.
- Ø Included in Carburetor Overhaul Kit, Key Number 121.
- + Included in Valve Gasket Set, Key Number 1095.

## NOTES