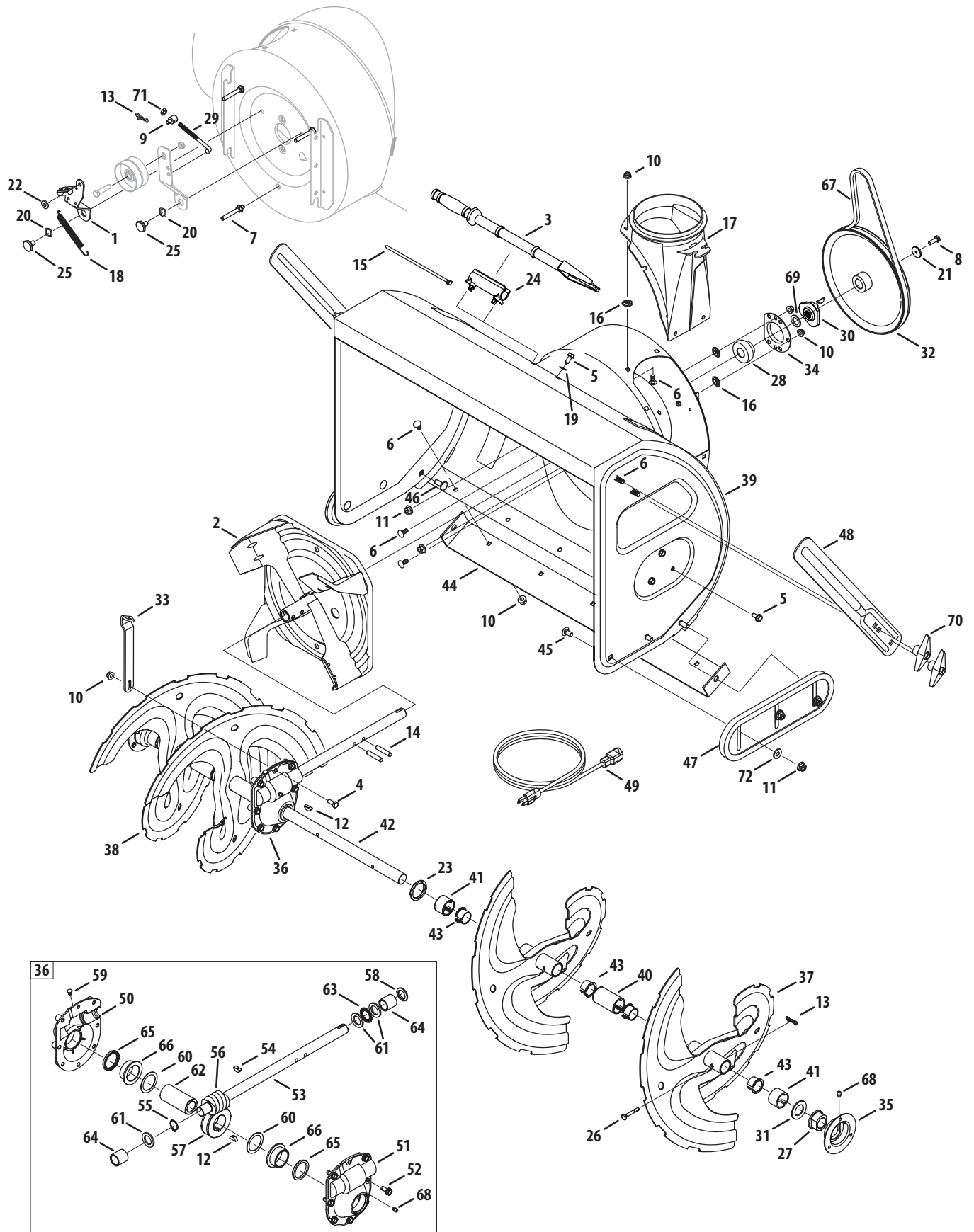


PARTS LIST

Craftsman Snow Thrower Model 247.8839700



PARTS LIST

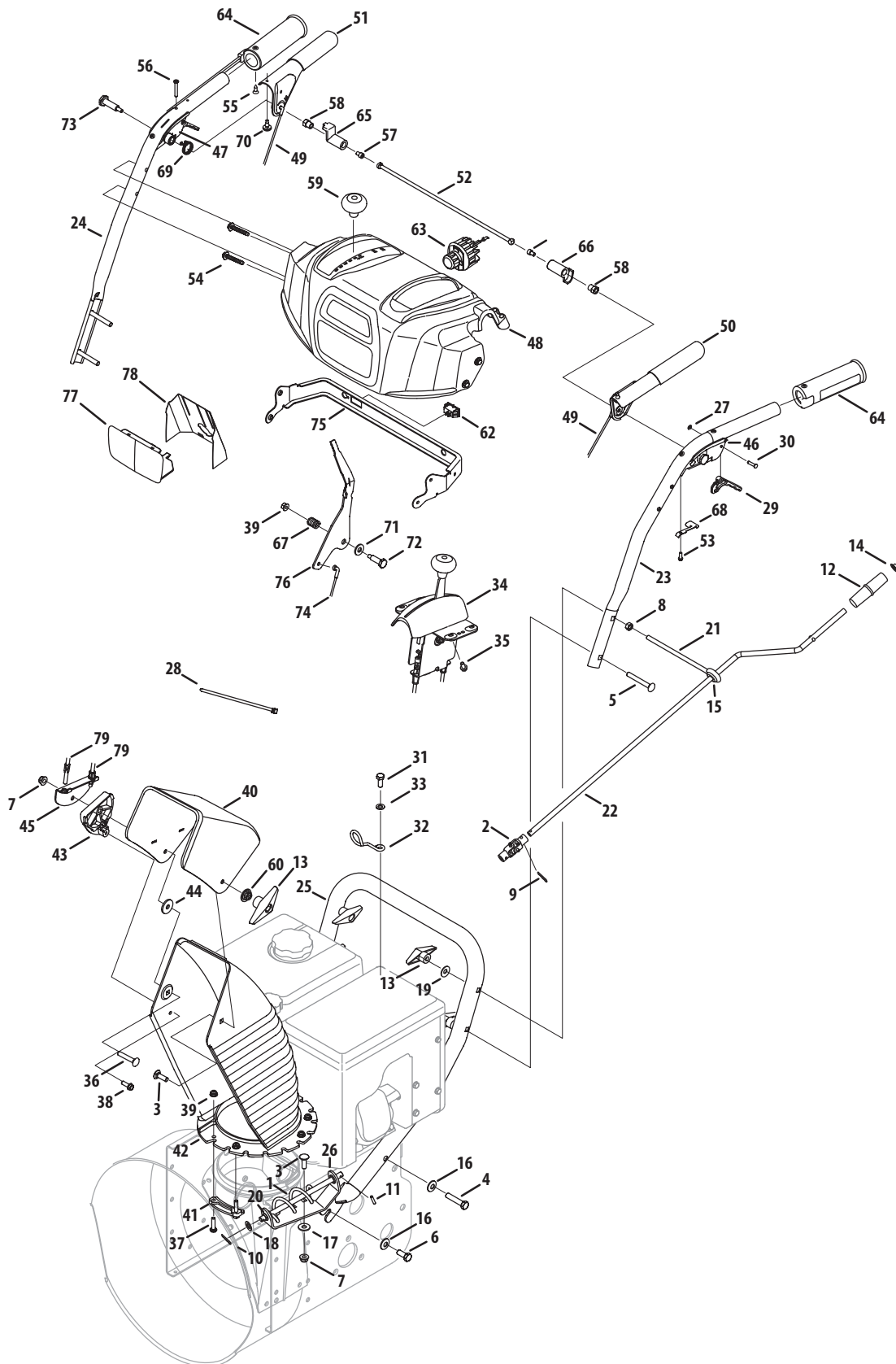
Craftsman Snow Thrower Model 247.883970

Ref. No.	Part No.	Description
1.	918-0281A	Bracket Assy, Auger Brake
2.	684-0090B-0637	Impellar, 16"
3.	931-2643	Tool, Cleanout
4.	710-0376	Scr,Hex Cap, 5/16-18 x 1.00
5.	710-04484	Screw, 5/16-18 x .750
6.	710-0451	Screw, Carriage, 5/16-18 x .75
7.	710-04606A	Screw, 5/16-18 x .4300
8.	710-1245B	Screw, 5/16-24 x .875
9.	911-0677	Ferrule
10.	712-04063	Nut, Flnge Lk, 5/16-18
11.	712-04065	Nut, Flg Lk, 3/8-16
12.	914-0135	Key, Woodruff,1/4 x 3/4
13.	714-04040	Pin, Bowtie Cotter
14.	915-0118	Pin, Spirol, 5/16 x 1.75
15.	725-0157	Tie, Cable
16.	926-04012	Nut, Push
17.	731-1696B	Adapter, Chute, 6"
18.	732-0858	Spring, Extension
19.	936-0159	Washer, .349 x .879 x .063
20.	736-0174	Washer, .625 x .885 x .015
21.	736-0505	Washer, Flat, .34 x 1.50 x .150
22.	936-3008	Washer, .344 x .75 x .12
23.	736-3046A	Washer, 1.01 x 1.86 x .06
24.	731-2635	Clip, Mounting
25.	938-0281	Screw, Shoulder, .625 x .17
26.	738-04155	Pin, Shear, .25 x 1.75
27.	741-0192	Bearing, Flange w/Flats
28.	941-04024	Bearing, Self Aligning
29.	747-0980A	Rod, Auger Idler
30.	748-04067A	Pulley, Adapter, .75 Dia.
31.	950-04020	Spacer, 1.004 x 1.375 x .25
32.	756-04244A	Pulley, Auger Drive, 10.0
33.	790-00264A-0637	Bracket, Gear Box Support
34.	05244B	Housing, Bearing
35.	784-0315A-0637	Housing, Bearing
36.	918-04514	Gear Box Assembly, Auger

Ref. No.	Part No.	Description
37.	684-04151-4028	Spiral Assy, LH
38.	684-04152-4028	Spiral Assy, RH
39.	684-04214-0691	Housing, Auger - 33"
40.	731-05162	Spacer, 1.0 x 1.5 x 2
41.	731-05163	Spacer, 1.0 x 1.5 x 1
42.	938-04158	Axle, Spiral, 33"
43.	741-0494	Bushing, Flange, 1.051 x 1.16
44.	784-5714B-0637	Shave Plate
45.	710-3168	Bolt, Carriage, 3/8-16 x 1.0
46.	710-3034	Bolt, Carriage, 3/8-16 x 1.25
47.	731-06007	Shoe, Skid
48.	790-00181-0637	Drift Cutter
49.	929-0071A	Extension Cord, 110V
50.	918-0246	Hsg Assy Auger RH (Inc. 65 & 66)
51.	918-0435	Hsg Assy Auger LH (Inc. 65 & 66)
52.	710-1260A	Screw, LD, 5/16-18 x .750
53.	711-04714	Shf, Drive, Auger
54.	914-0126	Key, Hi Pro, 3/16 x 3/4
55.	716-0111	Ext, Ret, Ring
56.	917-0299	Gear, Worm, Dbl Thread
57.	917-1425	Gear, Worm, LH
58.	921-0145	Seal, Oil
59.	721-0325	Plug
60.	936-0266	Washer, Flat, 1.52 ID x 2.0 OD
61.	936-0291	Washer, Flat, .88 ID x .38 OD
62.	738-0275	Shf, Gear, Worm
63.	741-0184	Brg, Thrust
64.	941-0217	Sleeve
65.	921-0146	Oil Seal
66.	741-0670	Flange Bearing
67.	954-04194A	V Belt,4L x 44.60 Lg.
68.	937-3000	Lube Fitting, 3/16 #70
69.	736-0188	Washer, Flat, .78 x 1.49 x .08
70.	720-0284	Wing Knob
71.	712-3007	Jam Nut, 5/16-18
72.	736-0262	Washer, Flat, .385 x .870

PARTS LIST

Craftsman Snow Thrower Model 247.883970



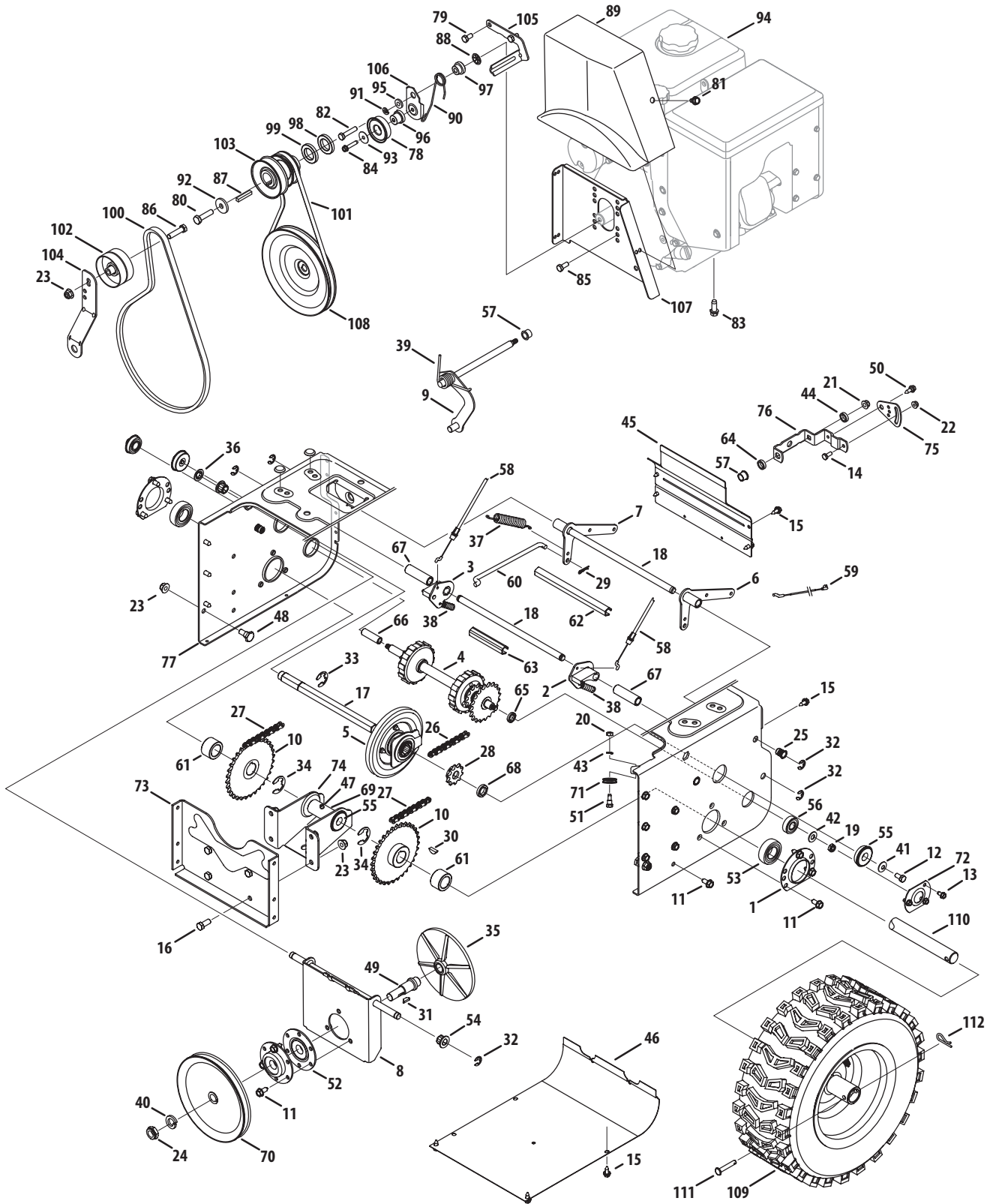
PARTS LIST

Ref. No.	Part No.	Description
1	684-04308A	Chute Crank Assembly
2	684-04350	Joint Block Assembly
3	710-0276	Screw, Carriage, 5/16-18 x 1.0
4	710-04682	Screw, Hex, 3/8-16 x 2.00 Lock, Gr5
5	710-0572	Screw, Carriage, 5/16-18 x 2.5
6	710-3118	Screw, Hex, 3/8-16 x 1.0 Lock, Gr5
7	712-04063	Flange Lock Nut, 5/16-18
8	912-3010	Hex Nut, 5/16-18
9	914-0101	Internal Cotter Pin
10	914-0104	Internal Cotter Pin
11	715-04095	Spring Pin
12	720-0201A	Knob, Crank
13	720-0284	Knob, Wing Nut, 5/16-18
14	926-0100	Cap, Push, 3/8
15	735-0234	Grommet, Rubber
16	736-0105	Washer, Bel, .375 x .87 x .063
17	936-0159	Washer, Flat, .349 x .879 .063
18	936-0185	Washer, .375 x .738 x .063
19	736-0242	Washer, Belleville, .34 x .872 x .06
20	941-0475	Plastic Bushing, .380 I.D.
21	747-04747	Eye Bolt
22	747-04925A-0637	Chute Rod
23	749-04675-0691	Handle, Upper - LH
24	749-04674-0691	Handle, Upper - RH
25	749-0991-0691	Handle, Lower
26	790-00329-0637	Chute Crank Bracket
27	716-04036	Ring, Retainer
28	725-0157	Cable Tie
29	731-06113	Trigger
30	738-04126	Pin, 3/16
31	710-04022	Hex Head Screw, MB 1.25
32	732-04677	Cable Guide
33	936-0264	Flat Washer, .330 x .630 x .0635
34	984-04230	2-Way Chute Control™ Assy
35	710-04187	Hi-Lo Screw, 1/4-15 x 0.5
36	710-0458	Bolt, Carriage, 5/16-18 x 1.75
37	710-0597	Screw, 1/4-20 x 1.00
38	710-0895	Hi-Lo Screw, 1/4-15 x .75
39	712-04064	Flange Lock Nut, 1/4-20
40	731-0846C	Upper Chute
41	731-0851A	Chute, Flange Keeper

Ref. No.	Part No.	Description
42	731-0903E	Lower Chute
43	731-1313C	Chute Tilt Cable Guide
44	936-0231	Flat Washer
45	784-5594-0637	Cable Bracket
46	631-04133A	Handle Clutch Lock - LH
47	631-04134B	Handle Clutch Lock - RH
48	931-04187A	Handle Panel
49	646-0012	Cable Assembly, Auger/Drive
	746-0952	Cable, Clutch
	732-0184	Spring, Extension
50	684-04111B	Handle Engage Assy - LH
51	684-04112C	Handle Engage Assy - RH
52	684-04250	Rod Ass'y, Clutch Lock Pivot
53	710-04326	Screw, #8-16 x 0.50
54	710-04586	Screw, 1/4-20 x 1.625
55	710-0837	AB Screw, #10-16
56	710-1233	Screw, #10-24 x 0.375
57	710-3069	Screw, 1/4-20 x.375
58	712-04081A	Shoulder Nut, 1/4-20
59	720-04039	Shift Knob
60	736-0159	Flat Washer, .349 x .879 x .063
61	725-05148	Wiring Harness <i>(Not Shown)</i>
62	725-04393	Htd. Hand Grip on/off Switch
63	725-05239	Light Socket
64	725-05149	Heated Hand Grip
65	731-04894D	Lock Plate
66	731-04896B	Clutch Lock Cam
67	732-0193	Compression Spring
68	732-04219C	Clutch Lock Spring
69	732-04238	Torsion Spring
70	935-0199A	Rubber Bumper
71	936-0267	Flat Washer, .385 x .87 x .06
72	738-04125	Shoulder Screw
73	738-04348	Shoulder Screw, 1/4-20 x 1.345
74	746-04341	Speed Selector Cable
75	790-00248C-0637	Panel Bracket
76	790-00281B-0637	Shift Lever
77	731-05324	Lens Panel
78	777X41804	Reflector Label
79	746-04338	Cable, Chute Tilt

PARTS LIST

Craftsman Snow Thrower Model 247.883970



PARTS LIST

Craftsman Snow Thrower Model 247.883970

Ref. No.	Part No.	Description
1.	05244B	Housing, Bearing
2.	618-0279P	Dogg, Steering Drive, LH
3.	618-0280P	Dogg, Steering Drive, RH
4.	918-0282E	Shaft Assembly, Steering
5.	918-04178	Assembly, Friction Wheel
	718-04034	Wheel, Friction, Bonded
	710-0896	Screw, Hex Wash
6.	684-0118B-0637	Bracket, Auger Actuator
7.	684-0119B-0637	Bracket, Drive Actuator
8.	684-04212-0637	Brkt, Friction Drive Suprt.
9.	684-04229	Rod Assembly, Shift
10.	684-04235	Sprocket, 32T
11.	710-04484	TT Screw, 5/16-18 x .750
12.	710-0538	Screw, Hex Cap Lock,
13.	710-0599	Hex Screw, 1/4-20 x .50
14.	710-0751	Hex Head Screw, 1/4-20
15.	710-1652	Screw, Hex Wash.
16.	710-3001	Screw, Hex Cap, 3/8-16
17.	911-04279	Shaft, Hex Drive
18.	711-04605	Shaft, Actuator
19.	912-0116	Nut, Hex Insert Jam Lock
20.	912-0138	Nut, Hex, 1/4-28 GR5
21.	712-04063	Flange Lock Nut, 5/16-18
22.	712-04064	Flange Lock Nut, 1/4-20
23.	712-04065	Flange Lock Nut, 3/8-16
24.	912-0413	Hex Nut, 5/8-18
25.	712-0717	Nut, Insert 3/8-16
26.	713-0284	Chain, Endless, #41 x 36L
27.	713-0286	Chain, #420 x 40L
28.	913-04015	Sprocket, #41 x 10T
29.	914-0104	Pin, Internal Cotter
30.	914-0135	Key, Woodruff
31.	914-0388	Key, Hi-Pro, 3/16 x 5/8
32.	916-0104	E-Ring
33.	716-0136	Ring, Retaining
34.	716-04048	Ring, Retainer
35.	917-0302	Plate, Drive
36.	726-0221	Speed Nut, .500
37.	932-0121	Spring, Extension
38.	932-0209	Spring, Extension

Ref. No.	Part No.	Description
39.	732-04385	Torsion Spring, .750 I.D. x .968 Lg.
40.	936-0158	Washer, Lock, 5/8
41.	736-0242	Wsh, Bell., .34 x .872 x .06
42.	936-0864	Wash, .375 x .812 x .060
43.	936-0329	Washer, Lock, 1/4
44.	936-3015	Flat Washer, .469 x .875 x .105
45.	790-00257-0691	Cover, Upper Frame
46.	790-00259-0691	Cover, Lower Frame
47.	937-3000	Fitting, Lube, 3/16 Drive
48.	738-0143	Screw, Shldr., .498 x .34
49.	738-0279	Spindle, Drive Plate
50.	738-04184A	Shoulder Screw, .368 x .113, 1/4-20
51.	738-0924A	Screw, Hex Shldr., 1/4-28
52.	741-0163A	Ass'y, Bearing/Housing
53.	941-04025	Bearing, Self Aligning
54.	741-04108	Bearing, Hex Flange
55.	941-0563	Bearing, Ball
56.	741-0747	Bush, Flg, .5625 x 1.375 x .4375
57.	741-0748	Bush, Flg, .5 ID x .627 OD
58.	746-04337A	Steering Cable, 35.97" Long
59.	946-0951A	Cable, Auger Idler
60.	747-0973	Rod, Drive Clutch
61.	750-04703	Spcr., 1.0 ID x 1.50 OD
62.	750-04717	Spcr., .51 ID x 7.895 Lg.
63.	750-04718	Spcr., .51 ID x 3.66 Lg.
64.	750-04719	Spcr., .5151 ID x .750 OD x .220
65.	750-05342	Spcr., .566 ID x .87 OD x .190
66.	750-05343	Spcr., .566 ID x .87 OD x 1.25
67.	750-0903B	Spcr., .514 x .632 x 2.44
68.	950-0997	Spacer, .675 x 1.0 x .23
69.	750-1302B	Spcr, .6725 x 1.125 x 2.48
70.	756-04244A	Pulley, Auger
71.	756-0625	Roller, Cable
72.	784-0404	Bearing Retaining Bracket
73.	784-0406A-0637	Bracket, Frame Support
74.	784-0407-0637	Bracket, Axle Support
75.	790-00217A-0637	Speed Selector Pivot Bracket
76.	790-00218A-0637	Speed Selector Shift Bracket
77.	790-00349-0691	Transmission Frame
78.	684-04169	Idler Pulley Assembly

Continued on following page

PARTS LIST

Craftsman Snow Thrower Model 247.883970

Continued from previous page

Ref. No.	Part No.	Description
79.	710-0627	Screw, Hex Cap, 5/16-24
80.	710-0191	Hex Hd. Screw, 3/8-24 x 1.25 GR8
81.	710-0607	Screw, Hx Wash Hd Tapp
82.	710-0624	Screw, Hex Cap, 5/16-24 x 1.50
83.	710-0654A	Screw, 3/8-16 x 1.00
84.	710-0809	Screw, 1/4-20 x 1.25
85.	738-04439	Hex Head Screw, 5/16-24 x .875
86.	710-0347	Hex Head Screw, 3/8-16 x 1.75
87.	914-0105	Square Key, 3/16 x 1.00
88.	926-04012	Nut, Push
89.	931-2531	Cover, Belt
90.	732-04308A	Torsion Spring, .850 dia. x .333 lg.
91.	936-0119	Washer, Lock, 5/16
92.	736-0247	Washer, Flat, .406 x 1.25
93.	736-3092	Washer, Flat, .265 x 1.0 x .030
94.	952Z483-SU	Engine Complete
95.	748-04112B	Shoulder Spacer, .3175 x .500 x .094
96.	750-04571	Shoulder Spacer, .260 x .785 x .538
97.	750-04821	Shoulder Spacer, .340 x 1.00
98.	750-05316	Spacer, 1.155 ID x 1.78 OD x .150
99.	750-05318	Spacer, 1.004 ID x 1.625 OD x .50
100.	954-04194A	V-Belt, 4L x 44.60 Lg.
101.	954-04202	V Belt, 3/8 x 36.68
102.	756-0981B	Pulley, Flat Idler, 2.75 OD
103.	756-04351	Double Pulley, 3.25 x 2.75
104.	784-0385D	Bracket, Auger Idler
105.	790-00167A-0637	Belt Keeper Bracket
106.	790-00208C	Idler Drive Wheel Bracket
107.	790-00254A-0637	Belt Cover Bracket
108.	756-0344	Pulley, Drive
109.	634-0225A-0911	Wheel Ass'y. - LH
	634-0226A-0911	Wheel Ass'y. - RH
	734-2031	Tire
	934-0255	Valve
	741-0246A	Bearing
110.	711-04607A	Axle, Wheel, 33"
111.	711-04615	Pin, Clevis
112.	914-0149B	Pin, Internal Cotter

PARTS LIST

Craftsman Snow Thrower Model 247.883970

777S32636

AVOID INJURY FROM ROTATING AUGER - KEEP HANDS, FEET AND CLOTHING AWAY.

DANGER

⚠ DANGER

1. KEEP AWAY FROM ROTATING IMPELLER AND AUGER. CONTACT WITH IMPELLER OR AUGER CAN AMPUTATE HANDS AND FEET.
2. USE CLEAN-OUT TOOL TO UNCLOG DISCHARGE CHUTE.
3. DISENGAGE CLUTCH LEVERS, STOP ENGINE, AND REMAIN BEHIND HANDLES UNTIL ALL MOVING PARTS HAVE STOPPED BEFORE UNCLOGGING OR SERVICING MACHINE.
4. TO AVOID THROWN OBJECTS INJURIES, NEVER DIRECT DISCHARGE AT BYSTANDERS. USE EXTRA CAUTION WHEN OPERATING ON GRAVEL SURFACES.
5. READ OPERATOR'S MANUAL.

CLEAN-OUT TOOL

777I22341

CHUTE DIRECTIONAL CONTROL

DISCHARGE LEFT

DISCHARGE RIGHT

CHUTE TIP DOWN

CHUTE TIP UP

STARTING INSTRUCTIONS:

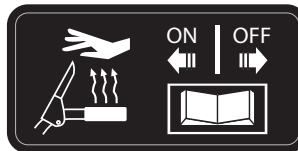
1. INSERT KEY AND SNAP IN PLACE
2. MOVE THROTTLE CONTROL TO THE "AST" POSITION.
3. MOVE CHOKE CONTROL TO THE "CHOKE" POSITION. PUSH PRIMER 3x.
4. ROPE START: PULL SLOWLY UNTIL HARDER TO PULL, THEN PULL RAPIDLY TO START. REPEAT PRIMING IF NEEDED.
ELECTRIC START: DO NOT USE IN RAIN. CONNECT POWER CORD AND PUSH STARTER BUTT ON. REPEAT PRIMING IF NEEDED.
5. MOVE CHOKE CONTROL SLOWLY TO THE "RUN" POSITION.
6. TO STOP ENGINE: MOVE THROTTLE TO THE "STOP" POSITION.

I22341 AC

777D16340



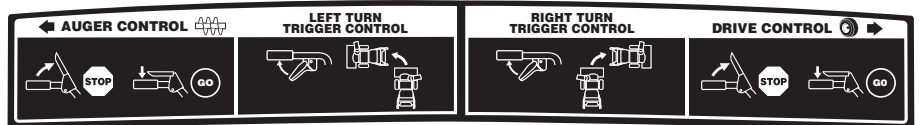
777I23013



777D16350



777I22340



777D11502



777S32280

⚠ DANGER

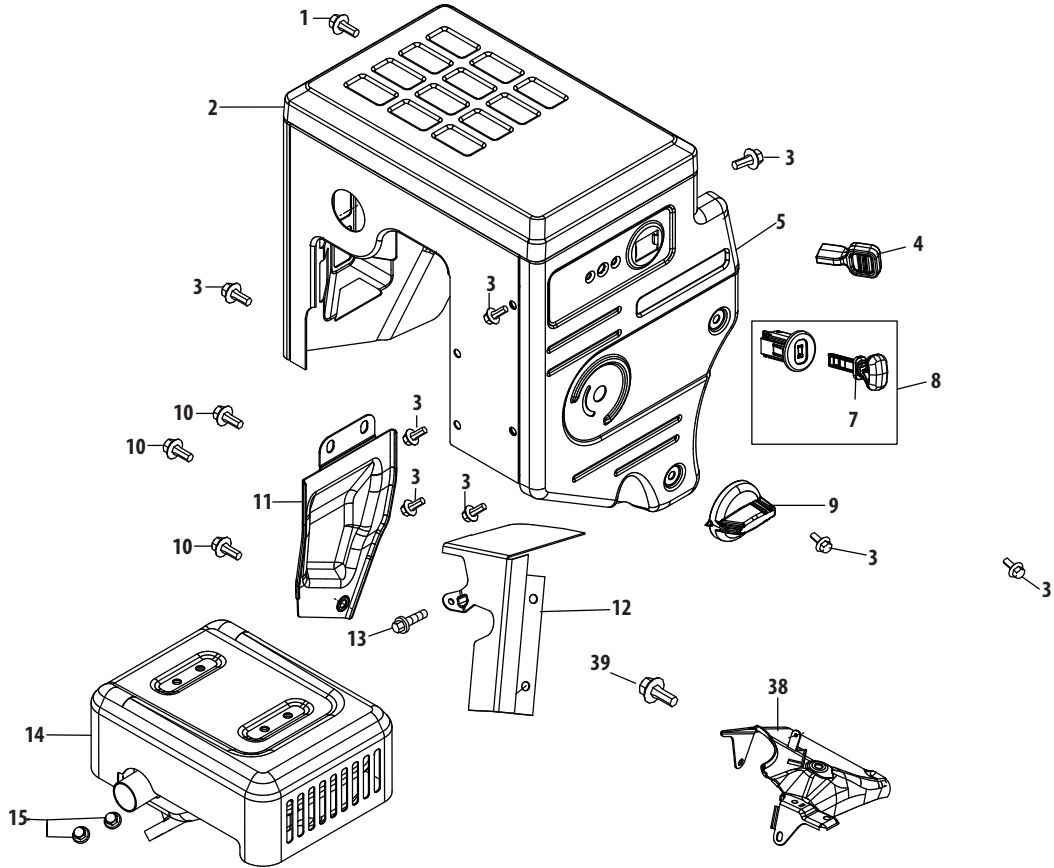
- NEVER PUT HAND IN CHUTE. CONTACT WITH ROTATING PARTS CAN AMPUTATE FINGERS AND HANDS.
- SHUT OFF ENGINE AND WAIT UNTIL ALL MOVING PARTS HAVE STOPPED BEFORE UNCLOGGING.
- USE CLEAN-OUT TOOL OR WOODEN STICK TO UNCLOG DISCHARGE CHUTE.

777I22363



PARTS LIST

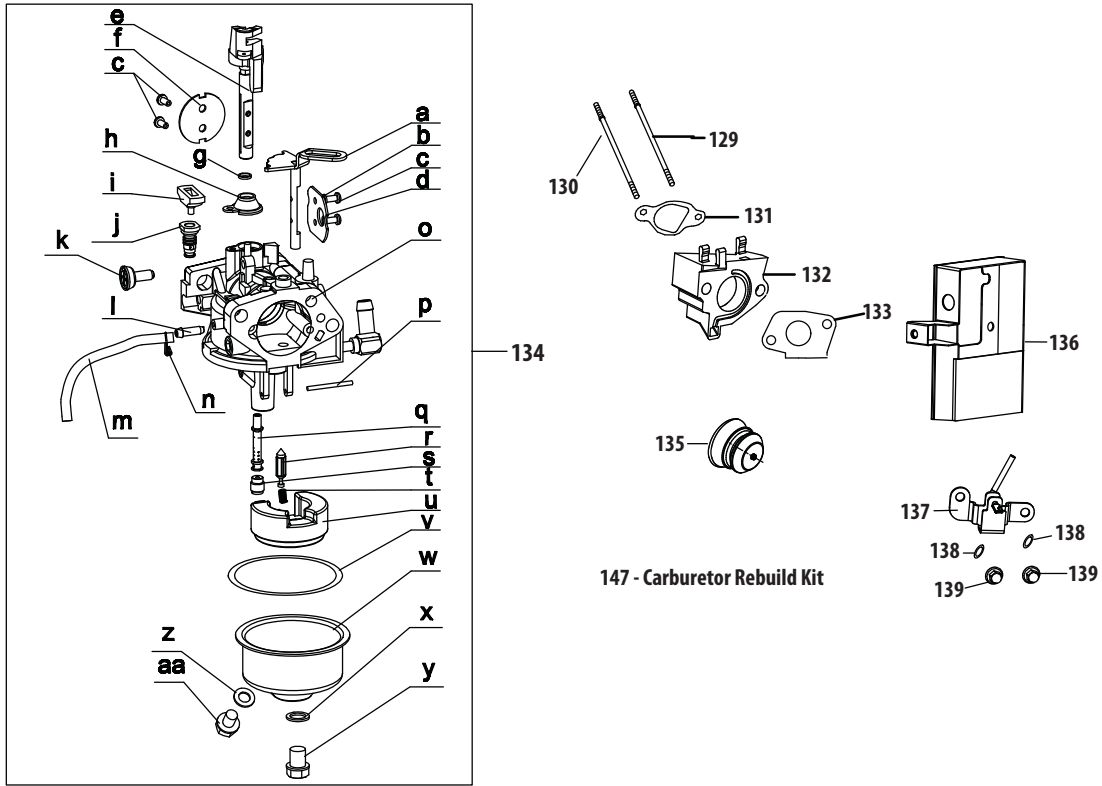
Craftsman Engine Model 483-SUB For Snow Model 247.883970



Ref.	Part No.	Description
1	710-04915	Bolt M6x12
2	951-11339	Muffler Shield
3	710-04915	Bolt M6x12
4	951-10757	Throttle Control Knob
5	951-11595	Control Panel
7	731-05632	Key
8	951-10637	Key Switch Assembly
9	951-11302	Choke Knob
10	710-04914	Bolt M6x10
11	951-11181	Exhaust Pipe Shield
12	951-11321	Carburetor Heat Shield
13	710-04968	Bolt M6x16
14	951-11338	Muffler Assembly
15	712-05015	Nut, M8
38	951-11311	Throttle Control Assembly
39	710-04915	Bolt M6x12

PARTS LIST

Craftsman Engine Model 483-SUB For Snow Model 247.883970

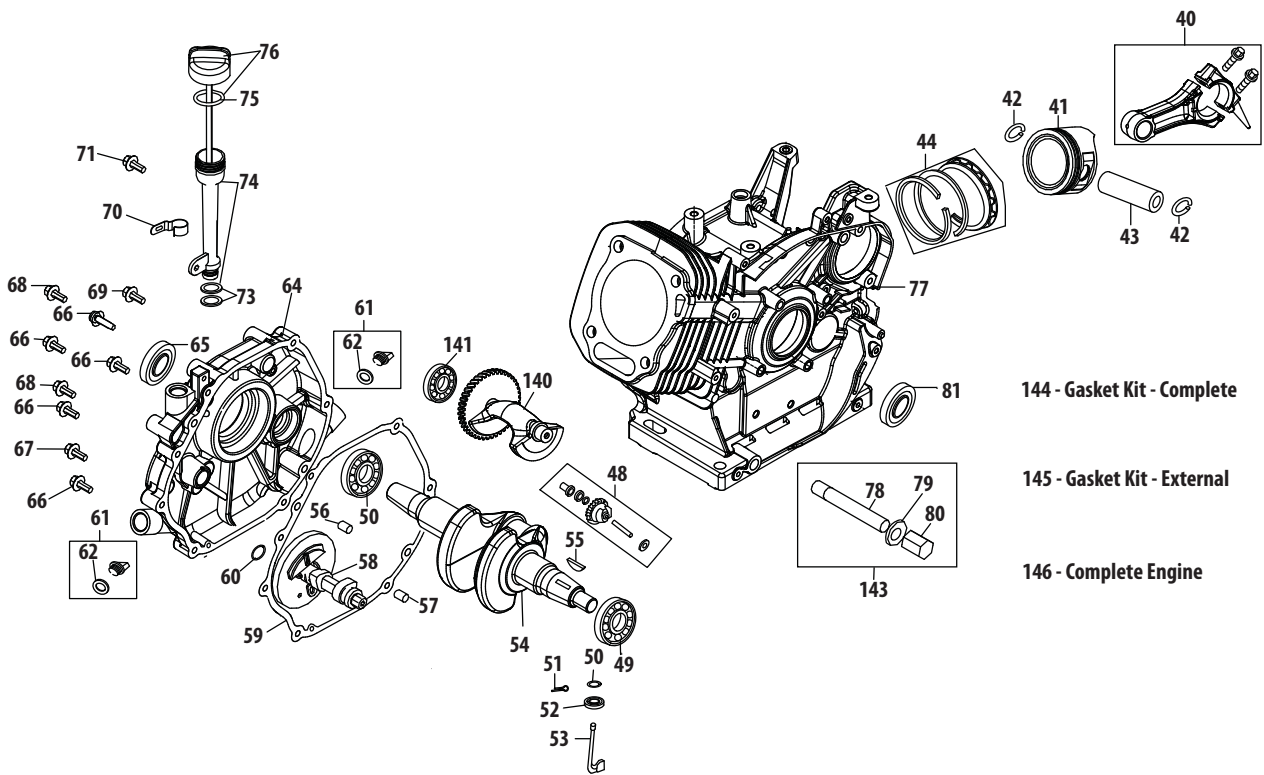


Ref.	Part No.	Description
129	710-05392	Stud M6-8x100
130	710-05056	Stud M6-8x118
131	951-11315	Carburetor Intake Gasket
132	951-11316	Carburetor Insulator
133	951-11223	Carburetor Gasket
134	951-14023A	Carburetor Assembly
135	951-10639A	Primer Assembly
135	951-11824	Primer Bulb
136	951-11304	Heater Box
137	951-11192	Choke Assembly
138	736-04477	Lock Washer
139	712-05015	Nut M6
147	951-12760A	Carburetor Rebuild Kit (Inc.i,j,p,q,r,s,t,u,v,x,z)
a	n/a	Choke Shaft
b	736-04638	Choke Control Lever Washer
c	710-05469	Fuel Shutoff Lever Screw
d	n/a	Choke Plate
e	n/a	Throttle Shaft
f	n/a	Throttle Plate
g	n/a	Gasket

Ref.	Part No.	Description
h	n/a	Throttle Shaft Cover
i	n/a	Idle Jet Rivet
j	n/a	Idle Jet Assembly
k	n/a	Idle Speed Adjusting Screw
l	n/a	Primer Pipe
m	751-11991	Primer Hose
n	951-11906	Primer Hose Clamp
o	n/a	Carburetor Body
p	n/a	Float Pin
q	n/a	Emulsion Tube
r	n/a	Nickel Plated Brass Needle Valve
s	n/a	Main Jet
t	n/a	Needle Valve Spring
u	n/a	Float
v	951-11970	Fuel Bowl Gasket
w	n/a	Fuel Bowl
x	951-11348	Fuel Bowl Gasket
y	710-04945	Fuel Bowl Mounting Bolt
z	951-11349	Fuel Drain Plug Gasket
aa	710-04938	Fuel Drain Plug

PARTS LIST

Craftsman Engine Model 483-SUB For Snow Model 247.883970



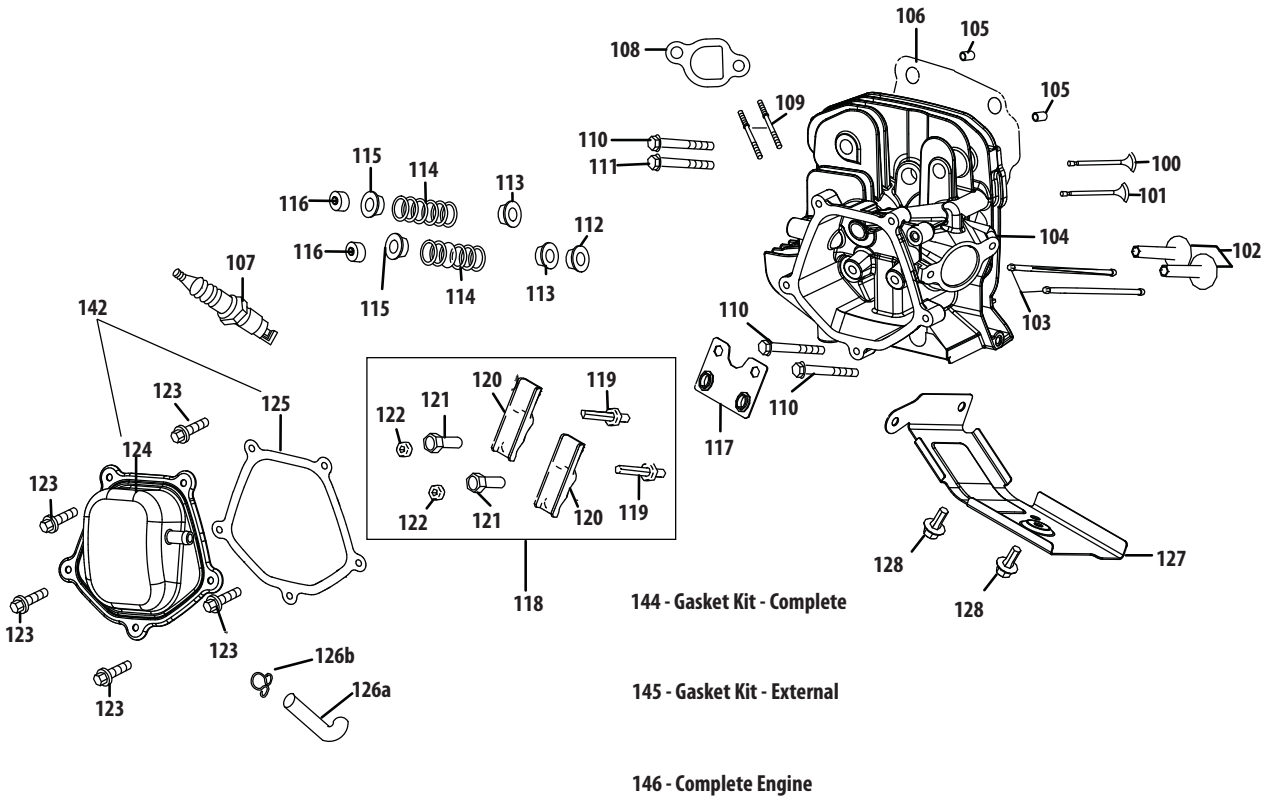
PARTS LIST

Craftsman Engine Model 483-SUB For Snow Model 247.883970

Ref.	Part No.	Description	Ref.	Part No.	Description
40	951-11951	Connecting Rod Assembly	68	710-06063	Bolt M8x35
41	951-11952	Piston	69	710-04968	Bolt M6x16
42	951-11953	Piston Pin Snap Ring	70	951-11320	Oil Tube Support Bracket
43	951-11954	Piston Pin	71	710-05349	Bolt M6x8
44	951-12579	Piston Ring Set	73	951-11381	Oil Fill Tube O-Ring
48	951-11956	Governor Gear/Shaft Assembly	74	951-12073	Oil Fill Tube Assembly
49	951-11373	Radial Ball Bearing	75	951-11904	Dipstick O-Ring
50	736-04453	Flat Washer	76	951-11971A	Dipstick Assembly
51	714-04077	Governor Shaft Clip	77	951-11341A	Crankcase Kit
52	951-11958	Governor Seal			(Inc.49,52,77,81)
53	951-11365	Governor Arm Shaft		951-11328B	Short Block Assembly
54	951-11342	Crankshaft Kit			(Inc.40-44,48-68,77-81,
		(Inc.49,54,55,65,81)			102,105,106,108,110,111,
55	951-10307	Woodruff Key			125,131,132,140,141)
56	715-04102	Dowel Pin 9 X 12	78	951-11350	Oil Drain Pipe
57	715-04092	Dowel Pin 7 X 14	79	736-04440	Drain Pipe Washer 10X16X1.5
58	951-11959	Camshaft Assembly	80	710-04906	Oil Drain Plug Bolt
59	951-11376	Crankcase Cover Gasket	81	951-11499	Oil Seal
60	736-04545	Washer	140	951-11968	Balance Gear Assembly
61	951-11283	Oil Fill Plug Assembly	141	951-11969	Bearing
62	951-11577	O-Ring	143	951-10641	Oil Drain Asm
64	951-14220	Crankcase Cover	144	951-11330A	Gasket Kit - Complete
	951-11340	Crankcase Cover Kit			(Inc.52,59,65,79,81,106,
		(Inc.49,59,60,64-68)			108,125,131-133)
65	951-11375	Oil Seal	145	951-11331	Gasket Kit - External
66	710-06061	Bolt M8x38			(Inc.79,108,125,131-133)
67	710-06062	Bolt M8x45	146	952Z483-SUB	Complete Engine

PARTS LIST

Craftsman Engine Model 483-SUB For Snow Model 247.883970



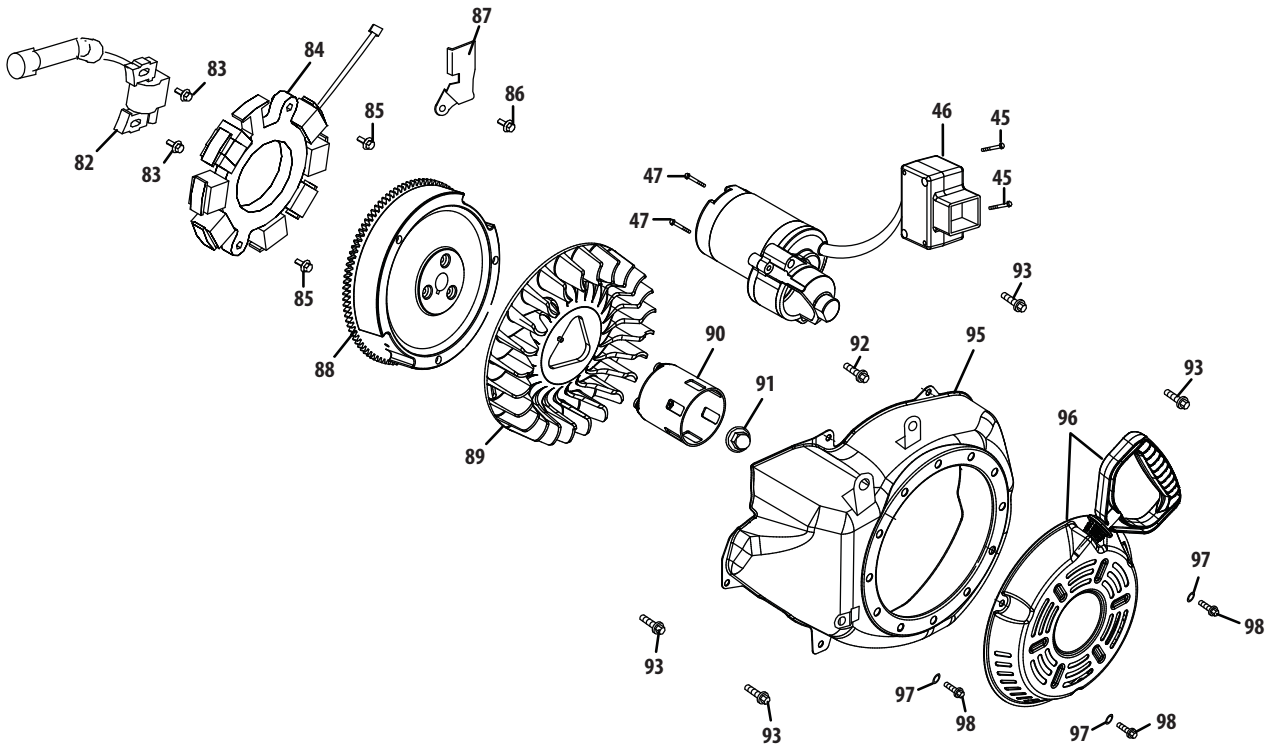
PARTS LIST

Craftsman Engine Model 483-SUB For Snow Model 247.883970

Ref.	Part No.	Description	Ref.	Part No.	Description
100	951-11337	Valve Kit	116	951-12081	Exhaust Lash Cap
101	951-11337	Valve Kit	117	951-11965	Push Rod Guide
102	951-11962	Tappet	118	951-11981	Rocker Arm Assembly
103	951-11335	Push Rod Kit	119	710-04962	Bolt, Pivot
104	951-12555	Cylinder Head Kit (Inc.106,110-112,125)	120	951-11966	Rocker Arm
	951-11329B	Cylinder Head Assembly (Inc.100,101,104,106,108-112, 114-122,125,129-133)	121	751-11123	Adjusting Nut ,Valve
105	715-04097	Dowel Pin	122	751-11124	Pivot Locking Nut
106	951-11963	Cylinder Head Gasket	123	710-05054	Valve Cover Bolt
107	951-10292	Spark Plug/F6Rtc	124	951-11220	Valve Cover
108	951-11212	Muffler Gasket	125	951-11967	Valve Cover Gasket
109	710-04964	Exhaust Stud M8×48.5	126a	731-07059	Breather Hose
109	951-11207	Muffler Stud Assembly	126b	726-04101	Breather Hose Clamp
110	710-06064	Bolt M10×1.25×87	127	951-11317	Cylinder Baffle
111	710-06065	Bolt M10×1.25×65	128	710-04915	Bolt M6×12
112	951-11964	Intake Valve Seal	142	951-11333	Valve Cover Kit
113	951-12077	Intake Valve Spring Retainer	144	951-11330A	Gasket Kit - Complete (Inc.52,59,65,79,81,106, 108,125,131-133)
114	951-12078	Valve Spring	145	951-11331	Gasket Kit - External (Inc.79,108,125,131-133)
115	951-12080	Exhaust Valve Spring Retainer	146	952Z483-SUB	Complete Engine

PARTS LIST

Craftsman Engine Model 483-SUB For Snow Model 247.883970

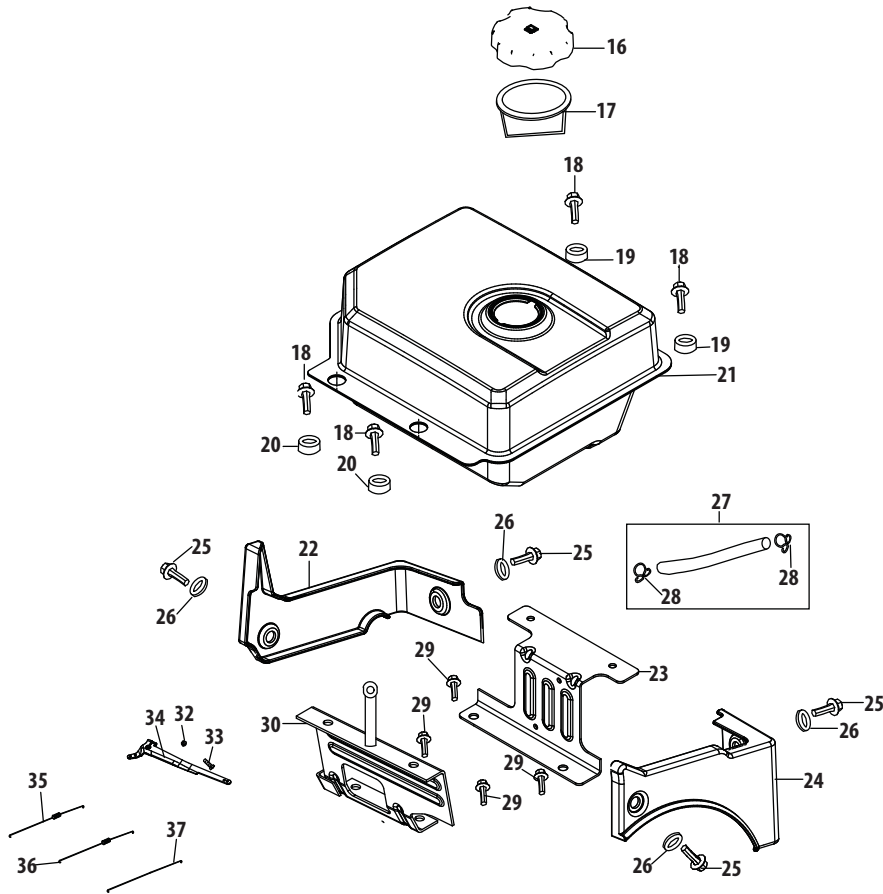


Ref.	Part No.	Description
45	710-04965	Screw M4 X 55
46	951-11196	Electric Starter
47	710-04967	Bolt M8x55
82	951-11305	Ignition Coil Assembly
83	710-05350	Ignition Coil Bolt
84	951-12553	Alternator Assembly
85	710-04969	Bolt M6x30
86	710-04966	Bolt M6x8
87	951-11186	Alternator Wire Clamp Bracket
88	951-12556	Flywheel

Ref.	Part No.	Description
89	951-11313	Cooling Fan
90	951-11314	Starter Cup
91	712-04220	Flywheel Nut, M14x1.5
92	710-04968	Bolt M6x16
93	710-04915	Bolt M6x12
95	951-11211	Blower Housing
96	951-14223	Recoil Starter Assembly
97	736-04455	Flat Washer
98	710-04974	Bolt M6x10

PARTS LIST

Craftsman Engine Model 483-SUB For Snow Model 247.883970



Ref.	Part No.	Description
16	951-12533	Fuel Cap Assembly
17	951-11933	Fuel Level Indicator
18	710-04970	Bolt M8×20
19	750-05312	Bushing, Slot
20	750-05313	Bushing, Rnd
21	951-11201	Fuel Tank Assembly
22	951-11319	Fuel Tank Shroud
23	951-11318	Fuel Tank Mounting Bracket
24	951-11351	Engine Shroud
25	710-04968	Bolt M6×16
26	736-04452	Bush

Ref.	Part No.	Description
27	951-11336	Fuel Line Kit
28	951-11700	Fuel Hose Clamp
29	710-04921	Bolt M8×14
30	951-11182	Fuel Tank Mounting Bracket
32	712-04212	Flange Nut M6
33	710-04908	Governor Arm Bolt M6X21
34	951-11307	Governor Arm
35	951-11306	Governor Spring
36	951-11203	Throttle Return Spring
37	951-11309	Governor Rod