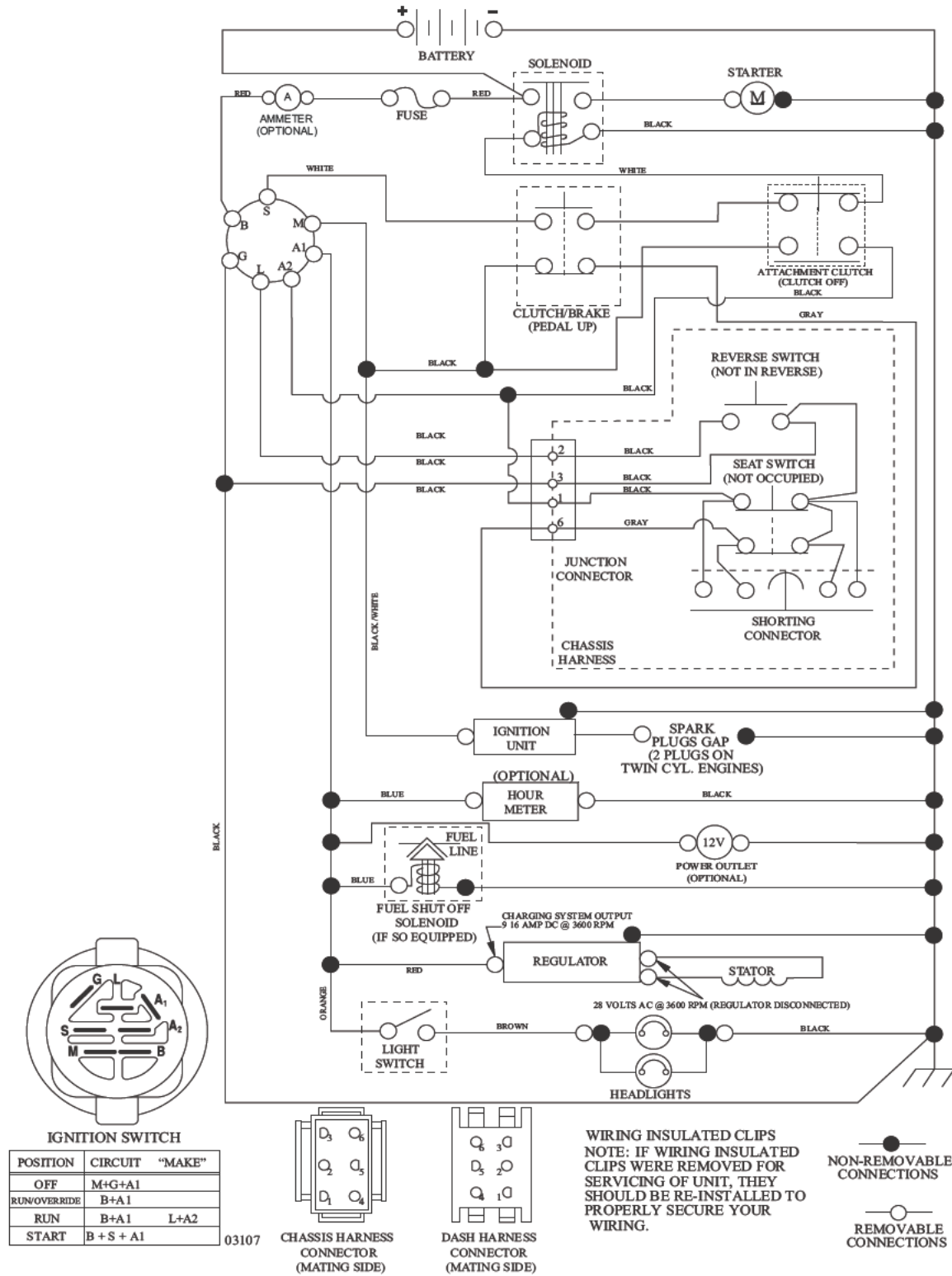


TRACTOR - - MODEL NUMBER 917.203850

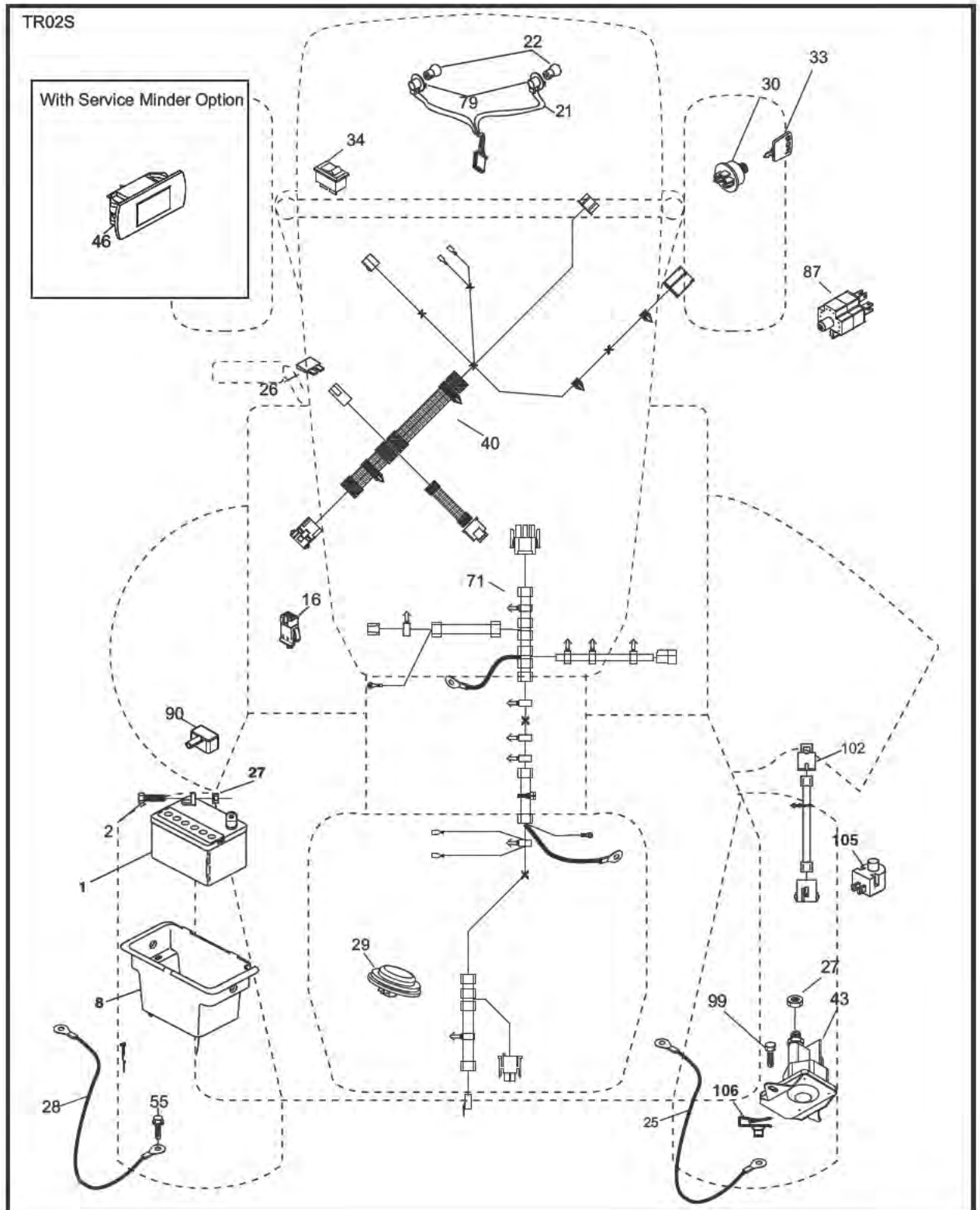
SCHEMATIC

SCH10



TRACTOR - - MODEL NUMBER 917.203850

ELECTRICAL



ELECTRICAL

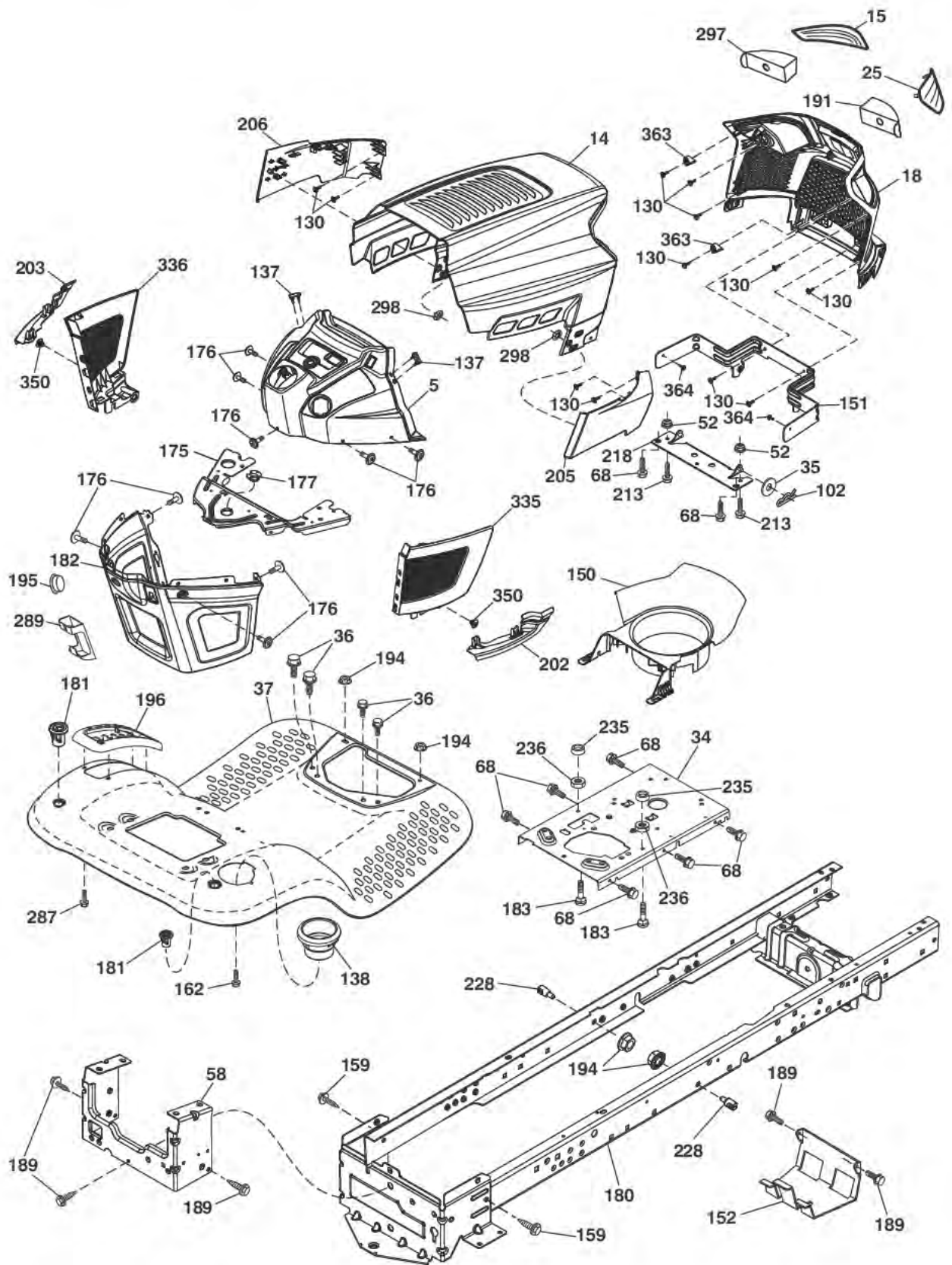
TRACTOR - - MODEL NUMBER 917.203850

KEY NO.	PART NO.	DESCRIPTION
1	163465	Battery
2	74760412	Bolt Hex Hd 1/4-20 unc x 3/4
8	193228	Box Battery
16	176138	Switch Interlock Push-In
21	400252	Harness Socket Light w/4152J
22	4152J	Bulb Light
25	581498001	Cable Starter
26	175158	Fuse
27	73510400	Nut Keps Hex 1/4-20 unc
28	421686	Cable, Ground
29	401545	Switch, Seat
30	193350	Switch, Ign
33	411932	Key/Chain
34	110712X	Switch Light / Reset
40	581023101	Harness Ign. Dash
43	192507	Solenoid
55	17060512	Screw Thdrol 5/16-18 x 3/4 TYTT
71	581023001	Harness Ign. Chassis
79	175242	Bulbholder Asm. Incan Descent
87	197802	Switch Interlock Clutch Cable
90	435395	Cover Terminal Battery
99	17670412	Screw
102	581901601	Harness Pigtail
105	407568	Switch Reverse
106	174814	Palnut

NOTE: All component dimensions given in U.S. inches
1 inch = 25.4 mm

TRACTOR - - MODEL NUMBER 917.203850

CHASSIS ASSEMBLY



chassis-tex_TALON I_3

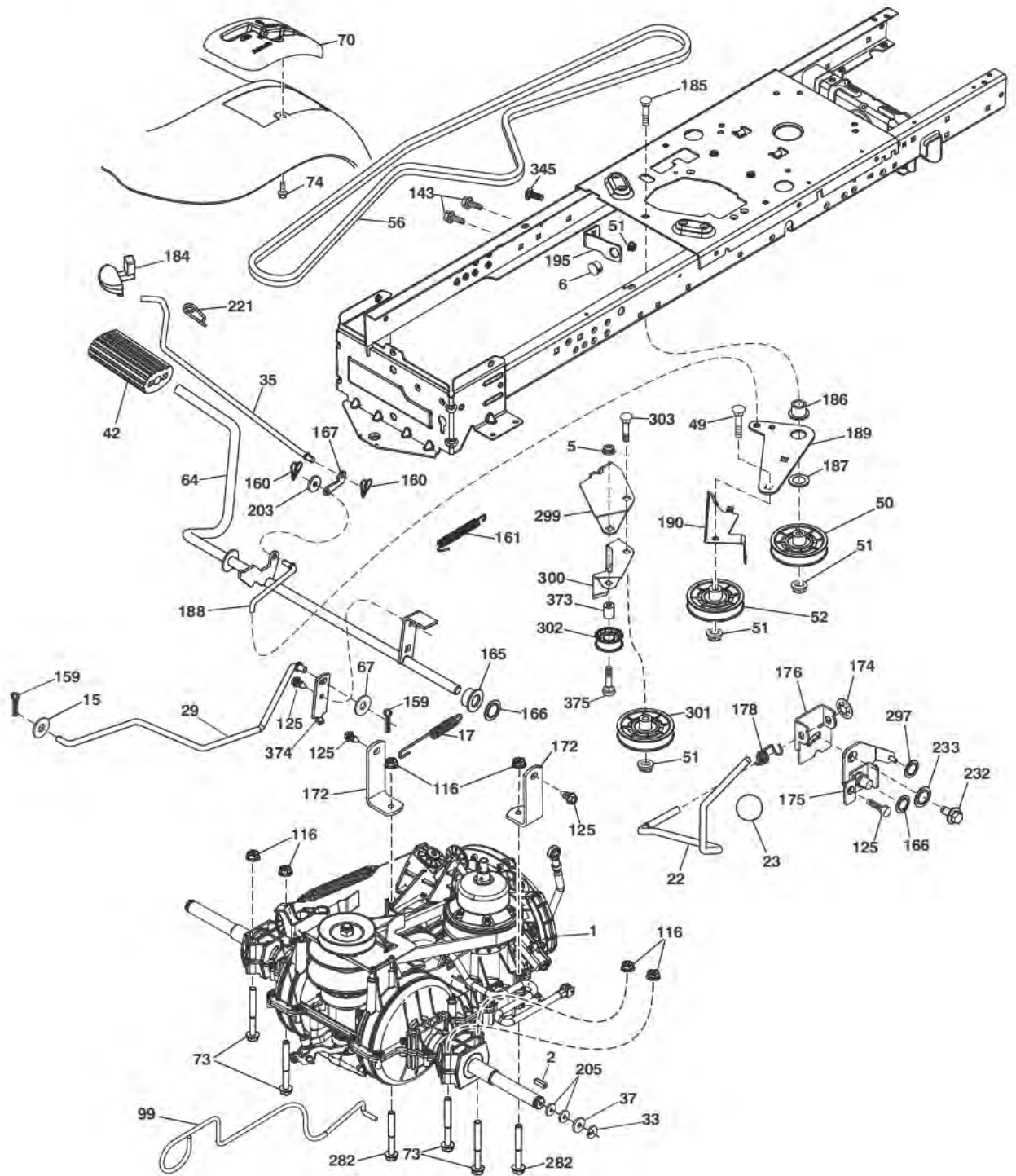
TRACTOR - - MODEL NUMBER 917.203850
CHASSIS ASSEMBLY

KEY PART NO.	NO.	DESCRIPTION
5	580485803	Dash
14	580354403	Hood
15	580485601	Lens LH
18	580485302	Grille
25	580484501	Lens RH
34	580910801	Plate engine
35	19111116	Washer 11/32 x 11/16 x 16 Ga.
36	17060512	Screw 5/16-18 x 3/4
37	414872X615	Fender
52	73680500	Nut Crown lock 5/16-18
58	412280	Drawbar upper
68	17490508	Screw Thdrol 5/16-18 x 1/2
102	4497H	Retainer Spring 1"
130	416358	Screw # 10 x .750 BOS Thread
137	407590	Bumper Dash
138	193224X428	Cupholder
150	580485502	Duct Heat Hood
151	580663302	Bracket Pivot
152	199535	Shield Browning/Debris
159	17000612	Screw Hexwsh Thdrol 3/8-16 x 3/4
162	142432	Screw Hex Wsh Hi-Lo 1/4 x 1/2
175	196304	Crossmember
176	400776	Screw 10-24 x 5/8 Wshd Qdrx
177	195227	Bushing Steering
180	415063	Chassis
181	193102X428	Bushing Mtg. Fender Crgo.
182	406859	Dash Lower
183	74520520	Bolt 5/16-18 x 1-1/4
189	17000512	Screw 5/16-18 x 3/4
191	580485101	Mylar Headlight RH
194	73900500	Nut Lock Hex Flange 5/16-18
195	401556X428	Plug Hole Dash 12V Adapter
196	414579	Console Asm. Deck Lift
202	580485001	C-Closeout Lwr Trm RH
203	580484801	C-Closeout Lwr Trm LH
205	580843706	Assembly Corner RH
206	580843806	Assembly Corner LH
213	74760512	Bolt hex HD 5/16-18 unc x 3/4
218	580897301	Pivot Hood Assy
228	195161	Stud Fastener
235	406129	Spacer Fender
236	73930500	Nut Center Lock 5/16-18
287	17600406	Screw Hex Washhead 1/4-20 x 3/8
289	199783X428	Plug Cruise/Phone Common YTGT
297	580484901	Mylar Headlights LH
298	580851001	Nut Push
335	580484602	C-Side Closeout RH
336	580484402	C-Side Closeout LH
350	445143	Clip X-Mass Tree
363	580724501	Cap Talon Grille
364	17060408	Screw
- - -	404951X428	Plug Dash SRVMNDR

NOTE: All component dimensions given in U.S. inches
1 inch = 25.4 mm

TRACTOR - - MODEL NUMBER 917.203850

GROUND DRIVE



drive-tex VATR 18

TRACTOR - - MODEL NUMBER 917.203850

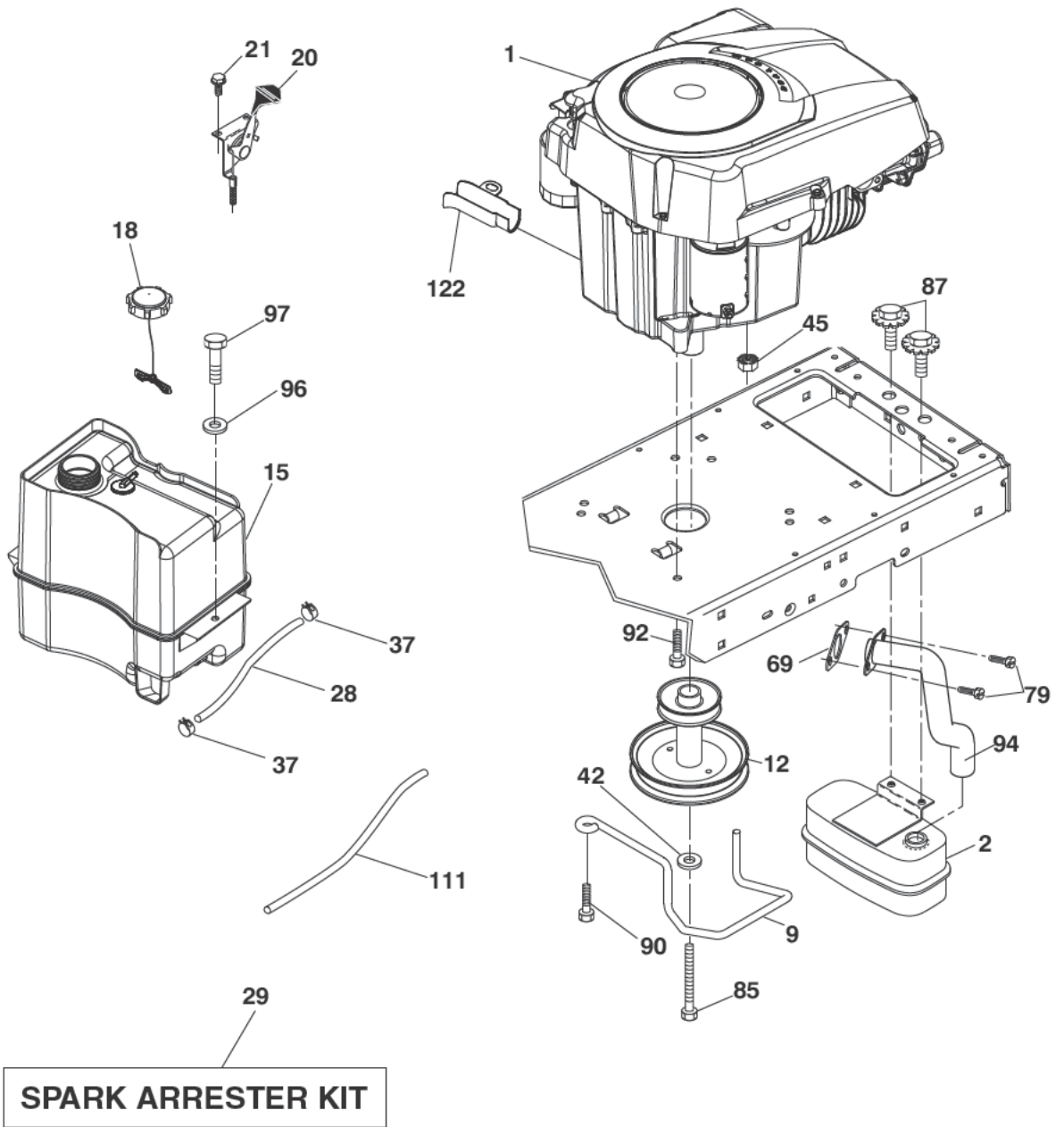
GROUND DRIVE

KEY PART NO. NO.	DESCRIPTION	KEY PART NO. NO.	DESCRIPTION
1	----- Transaxle, Gentrans Variator (580486301)(Order parts from transaxle manufacturer.)	174	197289 Nut Push .500
2	123583X Key Square 2.0 x .1845/.1865	175	415677 Shaft Asm Shift
5	73680600 Nut Crownlock	176	196214 Arm Clevis Rod Shift
6	124028X Bushing Snap	178	197456 Spring Shift Gt 2006
15	19131316 Washer 13/32 x 13/16 x 16 Ga.	184	196439X667 Handle Parking Brake .505
17	584954001 Spring Brake	185	72110622 Bolt 3/8-16 Unc x 2-3/4 Gr. 5
22	421063 Rod Shift	186	194321 Spacer Retainer
23	140845 Knob	187	19133210 Washer 13/32 x 2 x 10 Ga.
29	584823101 Rod Brake	188	194323 Link. Clutch Ground Drive
33	12000001 E-Ring #5133-75	189	194317 Bellcrank Groundrive Nstg/Nstl
35	583864501 Rod Brake Parking	190	194318 Keeper Bellcrank Drive Ground
37	188967 Washer .793 x 1.637 x 060	195	581504601 Bracket Brake
42	8883R Cover Pedal Blk. Round	203	19111116 Washer 11/32 x 11/16 x 16 Ga.
49	72110614 Bolt 3/8-16 unc x 1-3/4.Gr 5	205	121748X Washer 25/32 x 1-5/8 x 16 Ga.
50	194327 Idler Flat	221	403187 Retainer Spring Clip Handle
51	73900600 Nut, Hex, Flangelock 3/8-16	232	74780716 Bolt Fin Hex 7/16-14 x 1 Gr5
52	194326 Idler V-Groove	233	405296 Washer Serrated
56	197253 Belt Drive 100.97"	282	74490548 Screw Thdrol 5/16-18 x 3
64	580401501 Shaft Asm Pedal Brake Control	297	420223 Nut Push 1/4
67	19131312 Washer 13/32 x 13/16 x 12 Ga.	299	415683 Bracket Mount Idler
70	415688X428 Console	300	415681 Keeper Idler Rear
73	74490544 Bolt Hex Flghd 5/16-18 Gr.5	301	415680 Pulley Idler V-Groove
74	142432 Screw Hex.Wsh.1/4 X 1/2 unc	302	581420501 Pulley Idler Flat 2.0 Od
99	435935 Rod Bypass	303	72110618 Bolt Rdhd Sgnk 3/8-16 x 2-1/4
116	73900500 Nut, Lock Hex Flange 5/16-18	345	72110606 Bolt Rdhd Sqnk 3/-16 x 1 Gr. 5
125	17000512 Screw 5/16-18 x 3/4 Smgml.	373	581461801 Spacer Idler
143	17490508 Screw Thdrol 5/16-18 x 1/2 Tytt	374	581475201 Arm Control Brake
159	76020412 Pin Cotter 1/8 x 3/4	375	74760636 Bolt Hex
160	169484 Retainer Clip(M) Dia. 290		
161	105709X Spring Return Clutch 6.75		
165	196212 Bushing Shaft Brake Hand		
166	429164 Nut Push .625		
167	405257 Latch Brake Parking		
172	583974201 Strap Torque LH/RH		

NOTE: All component dimensions given in U.S. inches
1 inch = 25.4 mm

TRACTOR - - MODEL NUMBER 917.203850

ENGINE



engine-tex_Kohl_57

TRACTOR - - MODEL NUMBER 917.203850

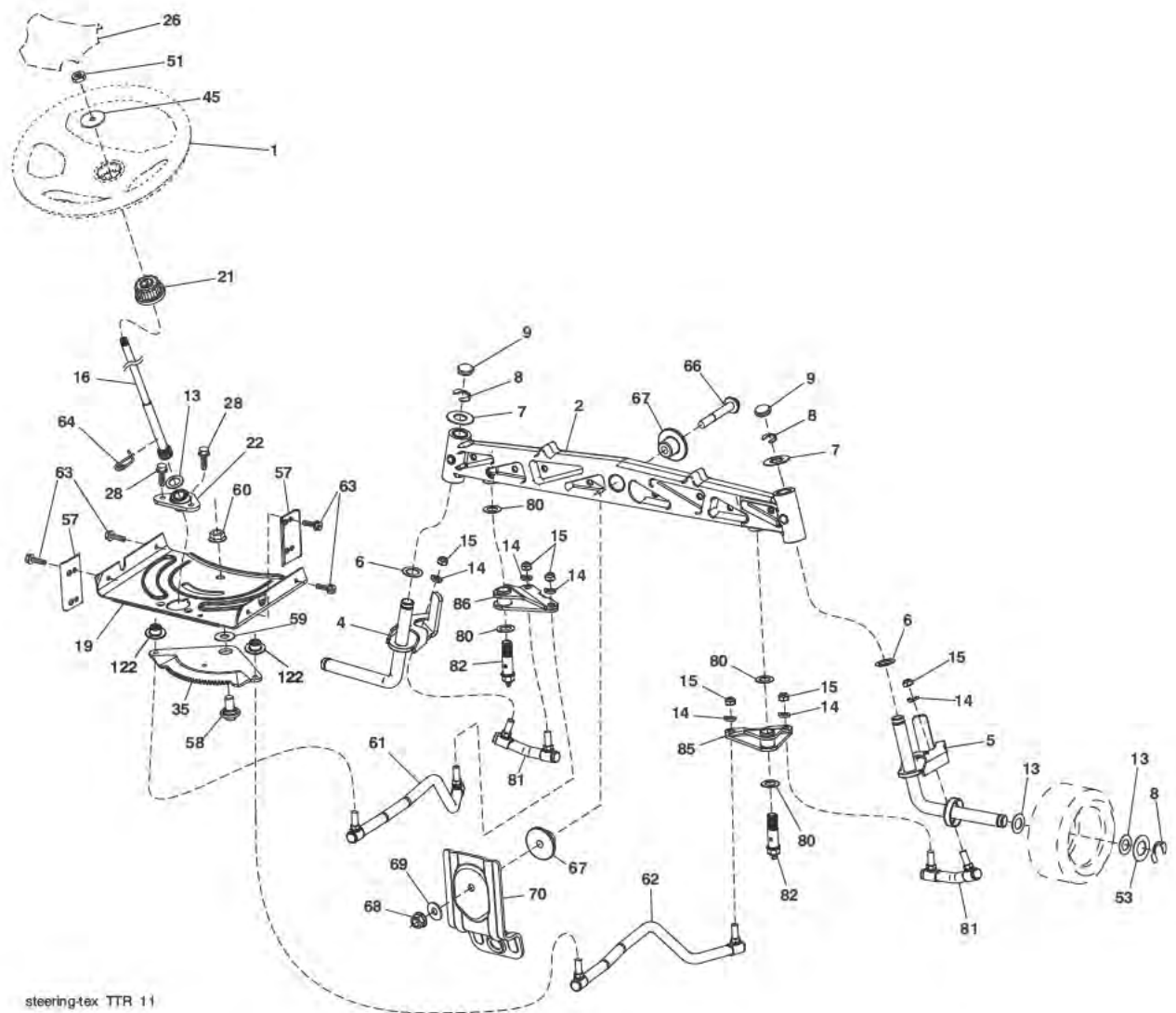
ENGINE

KEY NO.	PART NO.	DESCRIPTION
1	---	Engine Kohl Model No. SV591-3217 (586203301) (See engine breakdown.)
2	580532301	Muffler
9	194319	Keeper Belt Engine
12	405140	Pulley Engine
15	433007	Tank Fuel
18	581176101	Cap Asm. Fuel
20	175438X428	Control Throttle/Choke
21	416358	Screw 10 x .750 BOS Thread
28	401137	Fuel Line
29	137180	Spark Arrester Kit
37	123487X	Clamp Hose
42	10040700	Washer Lock 7/16
45	73510400	Nut Keps Hex 1/4-20 unc
69	185909	Gasket
79	192334	Screw 5/16-18 x .75
85	173937	Bolt Hex 7/16-20 x 4 x Gr. 5-1.5
87	171877	Bolt 5/16-18 unc x 3/4 w/Sems
90	17000616	Screw 3/8-16 x 1.0
92	17120616	Screw 3/8-16 x 1
94	583955301	Exhaust Tube
96	19091416	Washer 9/32 x 7/8 x 16 Ga.
97	17670412	Screw 1/4-20 x 3/4
111	414119	Purge Line
122	421922	Extension Drain

NOTE: All component dimensions given in U.S. inches
1 inch = 25.4 mm

TRACTOR - - MODEL NUMBER 917.203850

STEERING ASSEMBLY



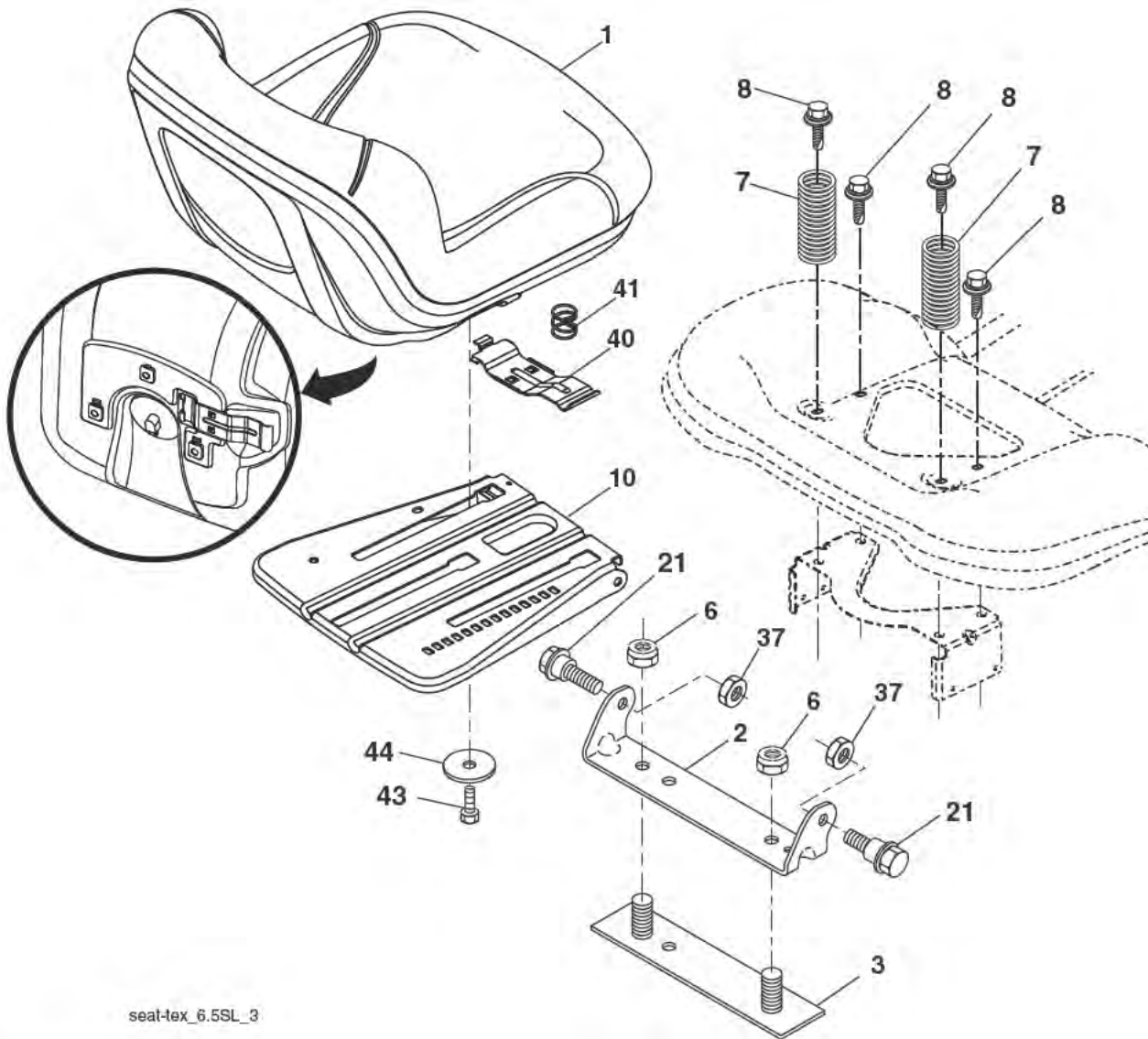
steering-ax TTR 11

KEY PART NO.	NO.	DESCRIPTION	KEY PART NO.	NO.	DESCRIPTION
1	414803X428	Wheel, Steering	58	194747	Bolt Shoulder Sector Pivot CFM
2	436870	Axle Asm., Front	59	194748	Washer Thrust Sector Steering
4	436873	Spindle Asm., LH	60	73971000	Nut Flange Lock 5/8-11
5	436874	Spindle Asm., RH	61	436884	Draglink LH
6	6266H	Washer Thrust	62	436885	Draglink, RH
7	121748X	Washer 25/32 x 1-5/8 x 16 Ga.	63	17000512	Screw 5/16-18 x 3/4
8	12000029	Ring, Klip #T5304-75	64	199849	Retainer Clip Spring Steering
9	184946X667	Cap, Spindle	66	71020748	Bolt Hex Fghd 7/16-14 x 3 Serr
13	121749X	Washer 25/32 x 1-1/4 x 16 Ga.	67	194737	Bushing PM Front Axle
14	10040600	Washer, Lock Hvy Hlcl Spr 3/8	68	73900700	Nut Lock Flange 7/16-14 Gr. 5
15	73540600	Nut, Crown Lock 3/8-24 unf	69	199162	Washer 1.5 x .505 x .118
16	440785	Shaft Steering	70	196197	Bracket Deck Susp. Front
19	194729	Plate Steering	80	1370H	Washer
21	437747	Adapter, Wheel Steering	81	436887	Link RH
22	194845	Bushing, Supt. Lower	82	442147	Pivot Bolt
26	414852X428	Insert, Wheel Steering	85	441873	Pivot RH
28	17000612	Screw 3/8-16 x 3/4	86	441872	Pivot LH
35	440770	Gear, Sector Plate	122	444962	Cap Gear
45	19183812	Washer 9/16 x 2-3/8 x 12 Ga.			
51	73940800	Nut Hex 1/2-20 unf			
53	188967	Washer Hardened.793x1.637x.060			
57	407465	Bracket Upstop			

NOTE: All component dimensions given in U.S. inches
1 inch = 25.4 mm

TRACTOR -- MODEL NUMBER 917.203850

SEAT ASSEMBLY



seat-tex_6.5SL_3

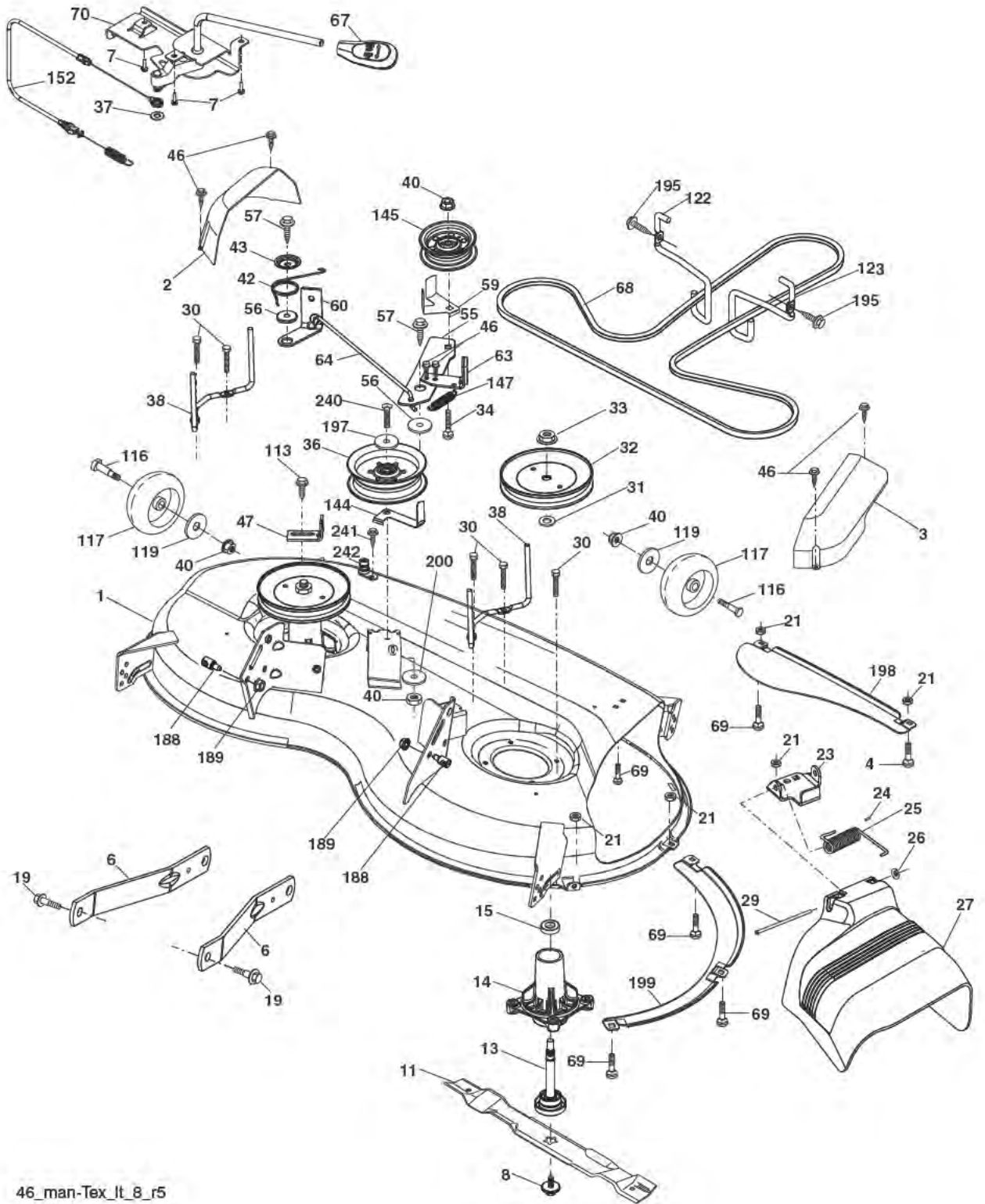
KEY PART NO.	PART NO.	DESCRIPTION
1	423645	Seat
2	180166	Bracket Pivot Fender
3	140675	Strap, Asm Fender
6	73800600	Nut, Lock W/Ins. 3/8-16 unc
7	124181X	Spring, Seat Cprsn
8	171877	Bolt 5/16-18 unc x 3/4 w/Sems
10	196977	Pan, Seat
21	171852	Bolt, Shoulder 5/16-18
37	73800500	Nut, Lock 5/16-18 unc

KEY PART NO.	PART NO.	DESCRIPTION
40	197661	Handle Slide Seat
41	198200	Spring Latch Seat
43	74760612	Bolt 3/8-16 x 3/4
44	19133812	Washer 13/32 x 2-3/8 x 12 Ga.

NOTE: All component dimensions given in U.S. inches
1 inch = 25.4 mm

TRACTOR - - MODEL NUMBER 917.203850

MOWER DECK



46_man-Tex_lt_8_r5

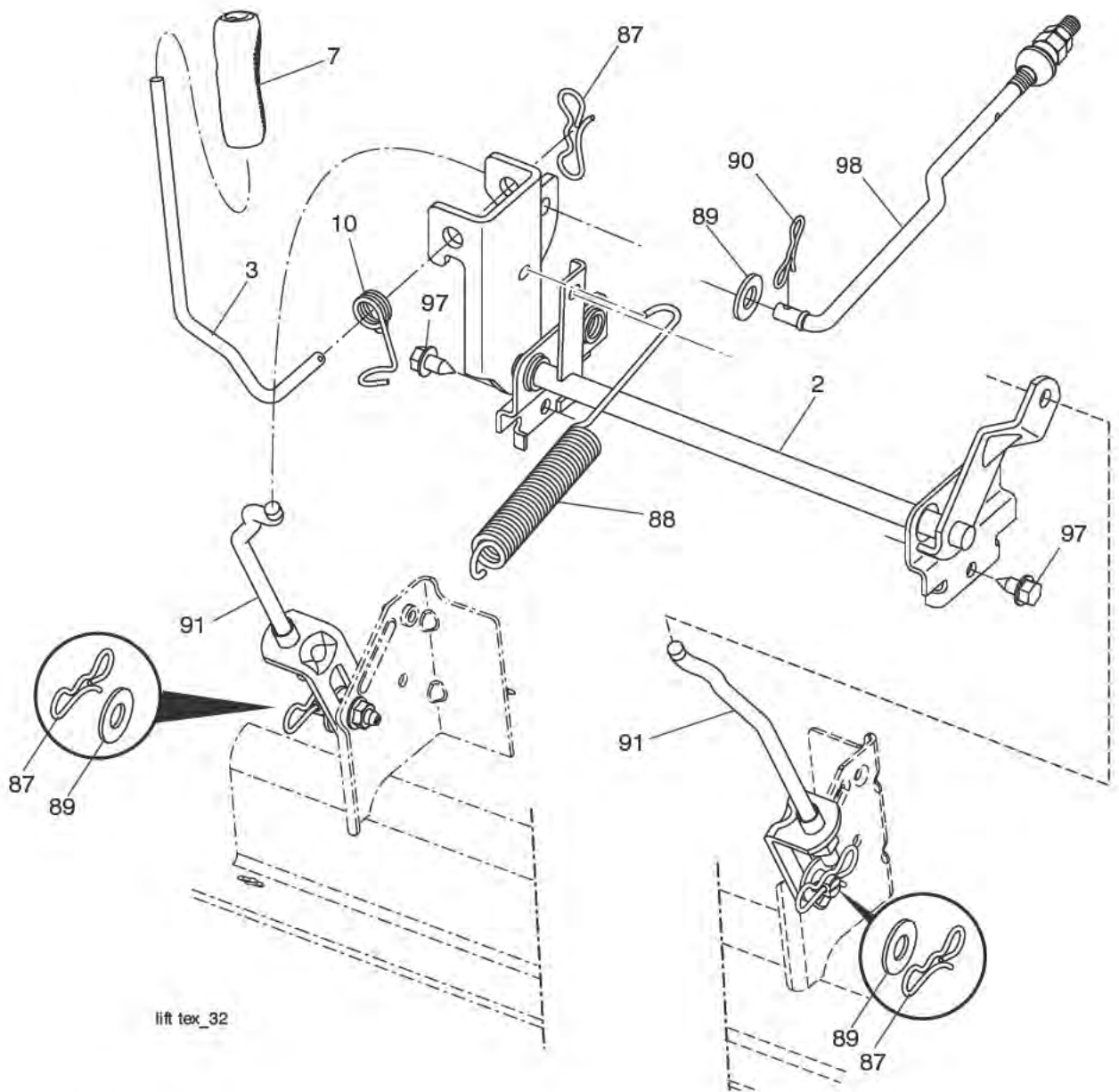
TRACTOR - - MODEL NUMBER 917.203850

MOWER DECK

KEY PART NO.	PART NO.	DESCRIPTION	KEY PART NO.	PART NO.	DESCRIPTION
1	448126X615	Mower Housing	64	405138	Linkage Brake
2	405507	Cover Mandrel LH	67	198398X667	Handle, Clutch Cable
3	405506	Cover Mandrel RH	68	405143	V-Belt
4	74760512	Bolt	69	72140505	Bolt Rdhd Sqnk 5/16-18 x 5/8
6	195186	Arm Suspension	70	199972	Clutch Asm. Manual
7	416358	Screw 10 x .750 BOS Thread	113	17000510	Screw 5/16-18
8	193003	Bolt/Washer Asm 7/16-20 unf	116	4898H	Bolt, Shoulder
11	405380	Blade	117	188606	Wheel, Gauge
13	192872	Shaft Assembly, Mandrel	119	19121414	Washer 13/32 x 7/8 x 14 Ga.
14	187281	Housing, Mandrel	122	197258	Keeper Belt Eng. LH
15	110485X	Bearing, Ball, Mandrel	123	197259	Keeper Belt Eng. RH
19	196539	Bolt, Shoulder	144	199204	Keeper Belt
21	73680500	Nut, Crownlock 5/16-18 unc	145	193197	Pulley, Idler, Flat
23	192557	Bracket, Deflector	147	401872	Spring Return
24	105304X	Cap, Sleeve	152	584243501	Cable Clutch Manual w/Spr.
25	197026	Spring, Torsion, Deflector	188	195161	Stud Fastener
26	110452X	Nut, Push	189	73900500	Nut Lock Hex Flange
27	405357	Shield, Deflector	195	17000612	Screw Hexwsh Thdr 3/8-16 x 3/4
29	131491	Rod, Hinge	197	19131312	Washer
30	173984	Screw Thdrol Rolling Wsh Hd	198	403149	Baffle
31	187690	Washer, Spacer	199	403150	Baffle
32	197473	Pulley, Mandrel	200	413524	Washer
33	400234	Nut, Toplock, Flanged	240	74520636	Bolt
34	72110612	Bolt Carr Sh. 3/8-16 x 1-1/2 Gr. 5	241	152927	Screw
36	197379	Pulley Idler	242	415598	Washout Port
37	19131316	Washer 13/32 x 13/16 x 16 Ga.	--	416405	Quick Connect Coupling
38	432520	Keeper Belt LH Mandrel	--	432250	Replacement Mower, Complete
40	73900600	Nut, Lock Flg. 3/8-16 unc	--	192870	Mandrel Assembly (Includes housing (key #14), shaft assembly (key #13), and bearing (key #15) only - pulley/nut/washer and blade bolt/washers not included)
42	198410	Spring Torsion Brake			
43	197256	Spring Torsion Retainer			
46	137729	Screw Thd Roll 1/4-20 x 5/8			
47	197250	Bracket Clutch Cable			
55	197249	Arm, Idler			
56	199092	Spacer, Retainer			
57	17000616	Screw Hexwsh Thd 3/8-16 x 1			
59	141043	Guard, Tuv Idler (94)			
60	199471	Arm Brake Mower			
63	199477	Arm Brake Mower			

NOTE: All component dimensions given in U.S. inches
1 inch = 25.4 mm

TRACTOR - - MODEL NUMBER 917.203850
LIFT ASSEMBLY



lift tex_32

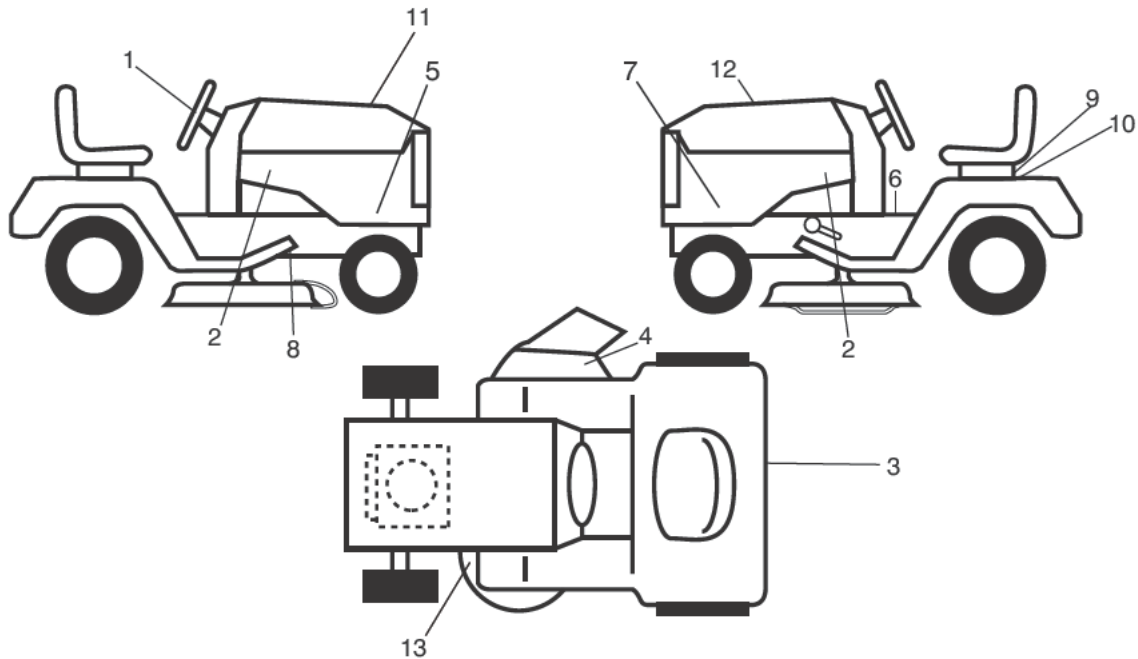
KEY NO.	PART NO.	DESCRIPTION
2	422027	Shaft Asm., Cross Lift
3	195231	Lever Asm., Lift RH
7	445060X428	Grip, Lever
10	196314	Spring Torsion
87	194209	Pin Cotter 7/16 Bow Tie Lock
88	410710	Spring Lift Assist
89	19191912	Washer Clear Zinc

KEY NO.	PART NO.	DESCRIPTION
90	194208	Pin Cotter 5/16 Bow Tie Lock
91	197984	Link Lift Susp Mower Rear
97	17000612	Screw 3/8-16 x .75
98	420525	Link Lift Susp. Front Mower

NOTE: All component dimensions given in U.S. inches
 1 inch = 25.4 mm

TRACTOR - - MODEL NUMBER 917.203850

DECALS



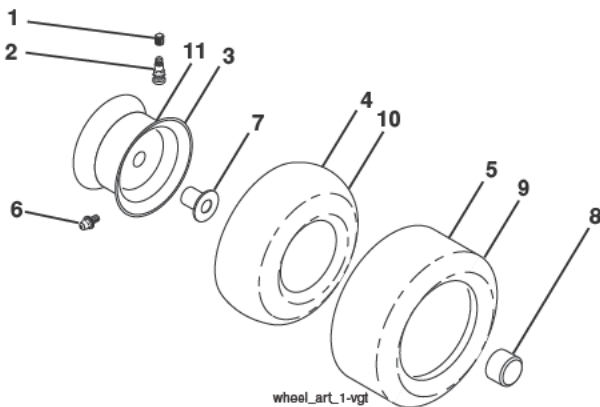
KEY PART NO. NO.

KEY PART NO.	NO.	DESCRIPTION
1	581894601	Decal, Steering
2	585767601	Decal, Hood
3	441121	Decal, Fender
4	581579501	Decal, Mower
5	586207301	Decal, Sideskirt RH
6	581578801	Decal, Fender Warning
7	586207302	Decal, Sideskirt LH
8	421534	Decal, V-Belt Schematic Drive
9	434996	Decal, Battery Warning
10	434995	Decal, Battery

KEY PART NO. NO.

KEY PART NO.	NO.	DESCRIPTION
11	586057101	Decal, Replacement
12	585571401	Decal, Warning Customer Responsibility
13	581580001	Decal, Mower V-Belt SCH.
--	193226X428	Pad, Footrest LH
--	193227X428	Pad, Footrest RH
--	581724801	Decal, Bypass
--	586065796	Manual, Operator's English/Spanish
--	586065849	Manual, Parts

WHEELS & TIRES

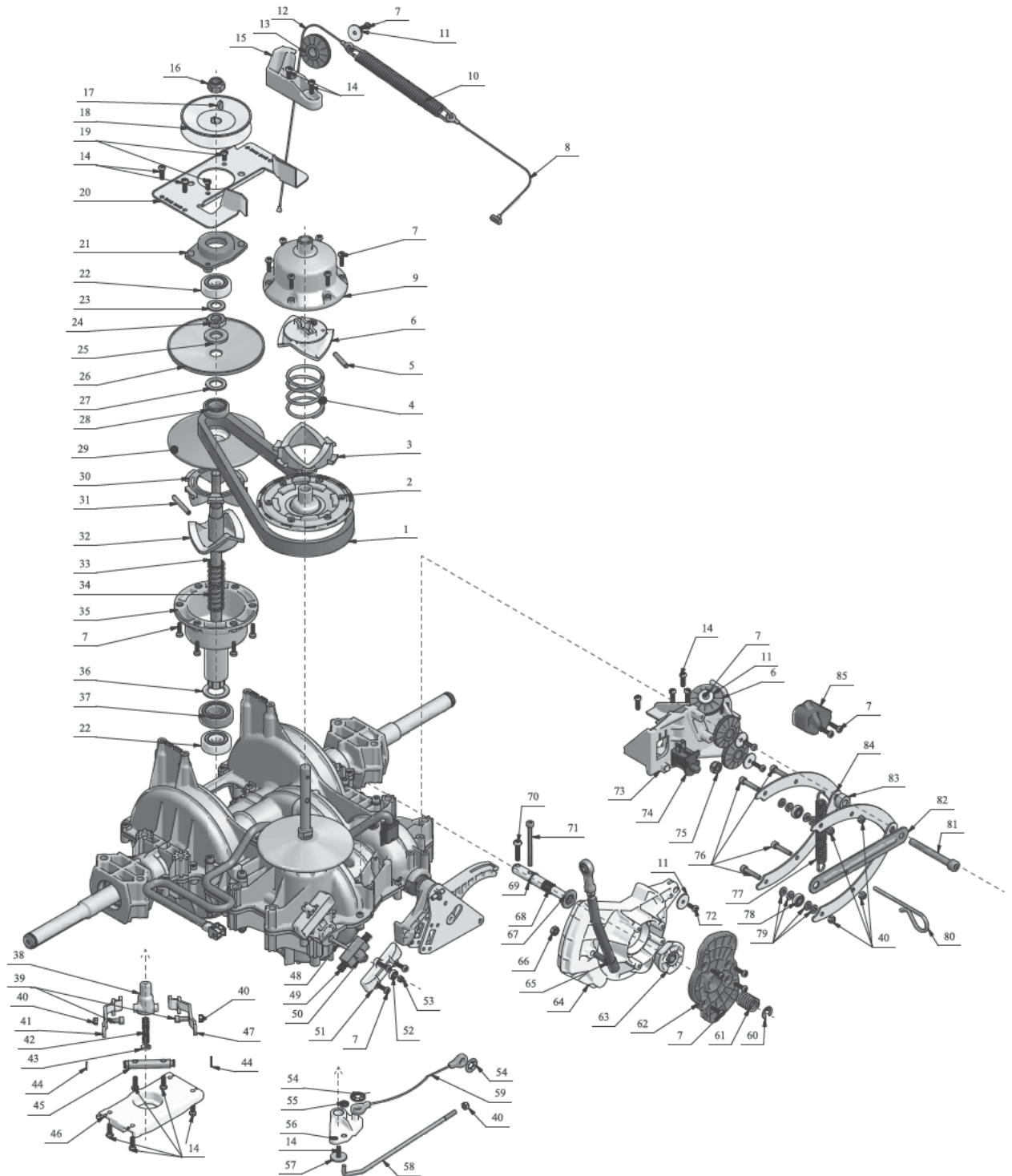


KEY PART NO. NO.

KEY PART NO.	NO.	DESCRIPTION
1	59192	Cap, Valve, Tire
2	65139	Stem, Valve
3	106732X613	Rim Assembly, Front
4	59904	Tube, Front
5	106222X	Tire, Front 15 x 6-6
6	278H	Fitting, Grease
7	9040H	Bearing, Flange
8	104757X428	Cap, Axle
9	138468	Tire, Rear 20 x 8-8
10	7152J	Tube, Rear
11	106108X613	Rim Assembly, Rear
--	144334	Sealant, Tire (10 oz. Tube)

NOTE: All component dimensions given in U.S. inches
1 inch = 25.4 mm

TRACTOR - - MODEL NUMBER 917.203850
TUFFTORQ TRANSAXLE - MODEL NUMBER K46 BA



TRACTOR - - MODEL NUMBER 917.203850

TUFFTORQ TRANSAXLE - MODEL NUMBER K46 BA

KEY NO.	PART NO.	DESCRIPTION	KEY NO.	PART NO.	DESCRIPTION
1	426740	Belt	45	426789	Axle
2	426739	Flange	46	426788	Inferior plate
3	426738	Ramp	47	426787	Lever
4	426737	Spring	48	426786	Screw M4 (0.7Nm)
5	426736	Pin	49	426785	Spring
6	426735	Fixed ramp	50	426784	Inversion axle
7	426734	Screw 4x16 (torque 2.2Nm)	51	426783	Cover
8	426733	Cable	52	426782	Ball bearing 604.2RS
9	426732	Cap	53	426781	Nut M4
10	426731	Spring	54	426780	Starlock Ø8
11	426730	Washer	55	426779	Starlock Ø4
12	426729	Cable	56	426778	Lever
13	426728	Cable sheave	57	426777	Washer 5x20x1
14	426727	Screw 5x16 (torque 2.2Nm)	58	426776	Rod
15	426726	Support 1 sheave	59	426775	Cable
16	426725	Nut M12	60	426774	Clip
17	426724	Key 4x6.5	61	426773	Spring
18	426723	Pulley	62	426772	Cam
19	426722	Screw 5x10 (torque 2.2Nm)	63	426771	Cone
20	426721	Superior plate	64	426770	Cam
21	426720	Bushing	65	426769	Rod
22	426710	Ball bearing 6301.2RS	66	426768	Nut 1/4" (5Nm)
23	426709	Washer 13x22x1.5	67	426767	Washer 13x24x2,5
24	426708	Screw M14x1.5	68	426766	Axle
25	426707	Washer 15.1x29.5x3	69	426765	Clip 12x1
26	426706	Flange Ø15.1	70	426763	Screw 5x25 (Torque 3.3Nm)
27	426704	Washer 15.7x25.3x2	71	426764	Screw M5x60 (Torque 3.3Nm)
28	426703	Ball bearing 6002.2RS	72	426762	Screw 4x10 (Torque 2.2Nm)
29	426702	Flange Ø17.7	73	426761	Support
30	426701	Mobile ramp 40°	74	426758	Switch
31	426700	Pin 5x40	75	426756	Nut M8
32	426699	Fixed ramp 40°	76	426755	Screw M5x25 (Torque 2.2Nm)
33	426698	Variator shaft	77	426754	Spring
34	426697	Variator Spring	78	426753	Ball bearing 625 2RS
35	426696	Cap	79	426752	Washer 5.3x10x1.7
36	426693	Washer 21x33x1.5	80	426751	Pin Ø4
37	426692	Ball bearing 6004 2RS	81	426750	Screw M8x70 (1.1m)
38	426691	Cable hook	82	426749	Plate
39	426690	Screw M5x12	83	426748	Spacer
40	426689	Nut M5	84	426747	Jaws
41	426687	Lever	85	426746	Snap-in
42	426686	Spring			
43	426791	Washer 3x11.7x2			
44	426790	Clips 8x0.8			

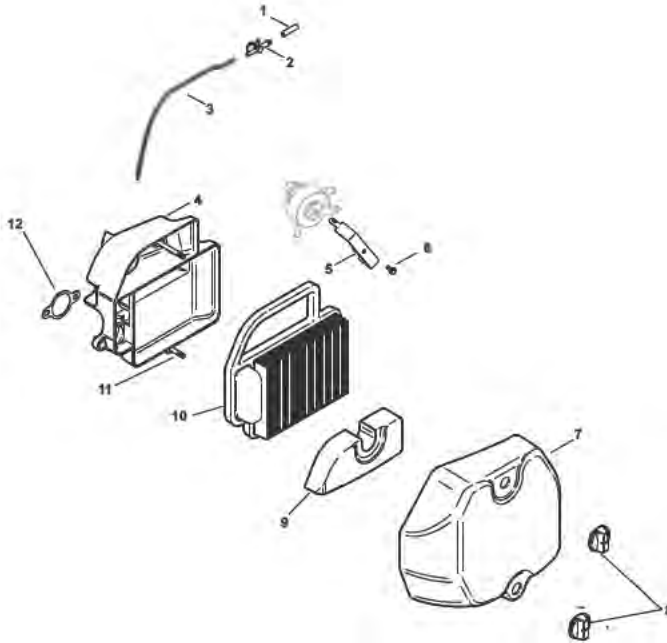
NOTE: All component dimensions given in U.S. inches
1 inch = 25.4 mm

TRACTOR - - MODEL NUMBER 917.203850

KOHL ENGINE-MODEL NUMBER SV591-3217

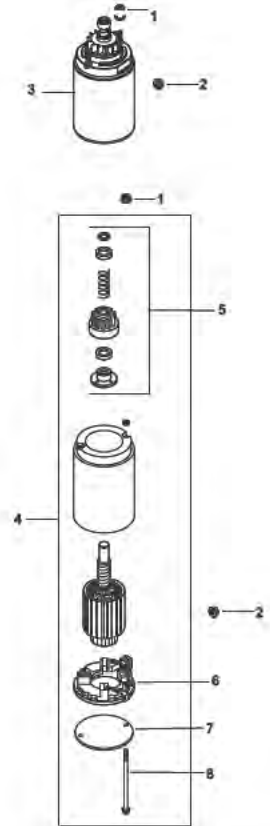
AIR INTAKE GROUP

SV470, 471, 480, 530, 540, 541,
590, 591, 600, 601, 610, 620



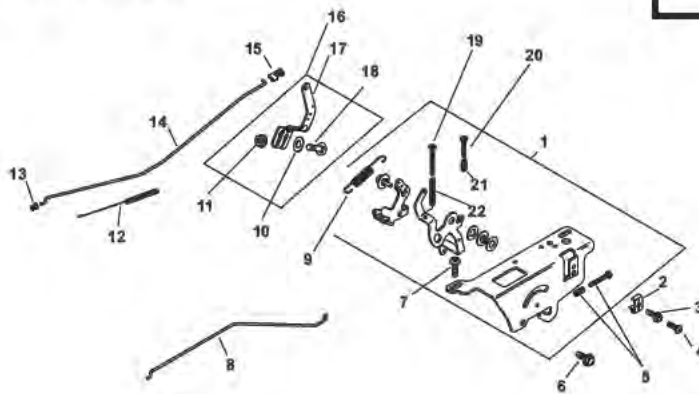
STARTING GROUP

SV470, 471, 480, 530, 540, 541,
590, 591, 600, 601, 610, 620



ENGINE CONTROLS GROUP

SV470, 471, 480, 530, 540, 541,
590, 591, 600, 601, 610, 620



ILLUSTRATIONS ARE REPRESENTATIVE AND ARE NOT INTENDED TO SHOW ALL DETAILS FOR EACH COMPONENT

TRACTOR - - MODEL NUMBER 917.203850

KOHL ENGINE-MODEL NUMBER SV591-3217

KEY PART		DESCRIPTION
NO.	NO.	
AIR INTAKE GROUP		
1	25 173 33-S	CAP, MASKING
2	25 155 51-S	CONNECTOR, EVAPORATIVE
3	25 326 28-S	HOSE, EVAPORATIVE
4	20 094 11-S	KIT, AIR CLEANER BASE
7	20 096 15-S	KIT, AIR CLEANER COVER
8	25 341 04-S	KNOB, COVER
10	20 083 06-S	AIR CLEANER ELEMENT
11	20 072 04-S	STUD, AIR CLEANER BASE
12	12 041 02-S	GASKET, AIR CLEANER BASE
- -		54 755 01-S KIT, KNOB W/SEAL

KEY PART		DESCRIPTION
NO.	NO.	
ENGINE CONTROLS GROUP		
1	20 536 06-S	KIT, SPEED CONTROL ASSEMBLY
2	12 237 01-S	CLAMP, CABLE
3	25 086 398-S	SCREW, THREAD FORMING
5	25 086 297-S	KIT, IDLE ADJ SCREW & SPRING
7	M-664020-S	SCREW, LBD SKT M6x1.0x20- (#25086403S)
8	20 079 05-S	LINKAGE, CHOKE
9	20 089 11-S	SPRING, GOVERNOR
10	X-22-11-S	WASHER, TOOTH LOCK 1/4"
11	12 100 07-S	NUT, FLANGE 1/4-20
12	20 089 10-S	SPRING, LINKAGE
13	25 158 08-S	BUSHING, LINKAGE RETAINING
14	20 079 07-S	LINKAGE, THROTTLE
15	25 158 11-S	BUSHING, THROTTLE LINKAGE
16	20 090 11-S	LEVER, GOVERNOR ASSEMBLY
17	20 090 02-S	LEVER, GOVERNOR USE 20 090 11-S
18	52 211 04-S	BOLT, RD HD SQ NCK 1/4-20X1"
19	20 086 18-S	SCREW, PHL THD FRM M4X0.7X38
20	20 086 10-S	SCREW, PHL THD FRM M4X0.7X25
21	12 089 11-S	SPRING, SPEED CONTROL (SHORT)
22	20 089 12-S	SPRING, SPEED CONTROL (LONG)

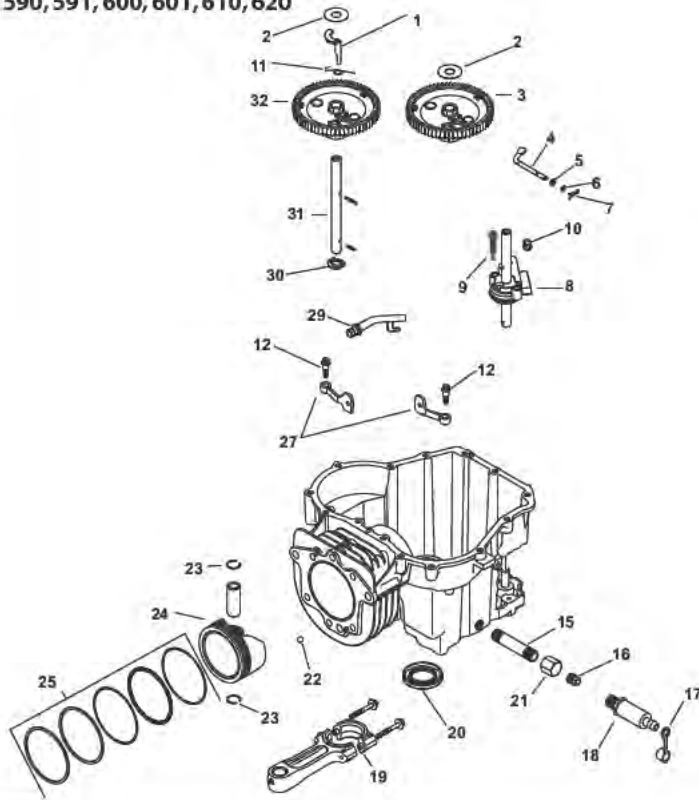
KEY PART		DESCRIPTION
NO.	NO.	
STARTING GROUP		
1	25 100 56-S	NUT, HEX FLANGE LOCK (10-24)
4	20 098 10-S	ELECTRIC STARTER-BENDIX DRIVE
5	20 755 12-S	KIT, DRIVE (J.E.) - (#DSC)
6	12 221 02-S	BRUSH KIT
7	20 227 01-S	CAP, DRIVE END (J.E.)
8	20 211 02-S	BOLT, THRU

TRACTOR - - MODEL NUMBER 917.203850

KOHL ENGINE-MODEL NUMBER SV591-3217

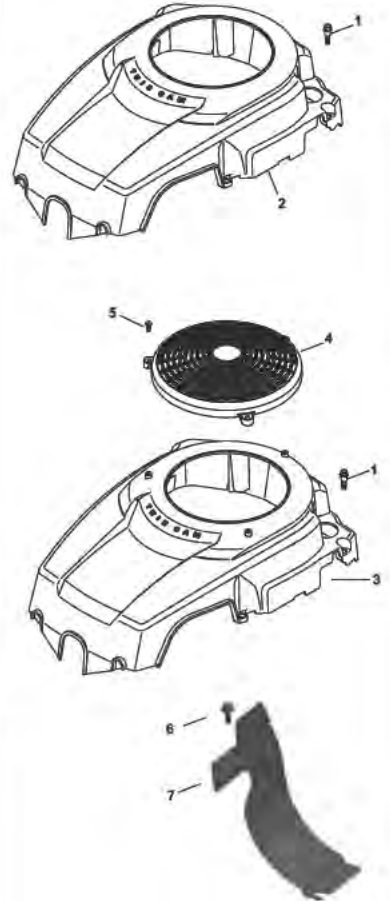
CRANKCASE GROUP

SV470, 471, 480, 530, 540, 541,
590, 591, 600, 601, 610, 620



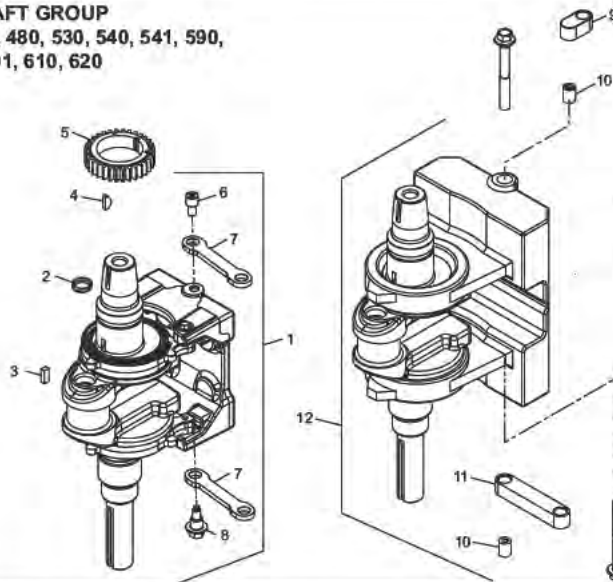
BLOWER HOUSING GROUP

SV470, 471, 480, 530, 540, 541,
590, 591, 600, 601, 610, 620



CRANKSHAFT GROUP

SV470, 471, 480, 530, 540, 541, 590,
591, 600, 601, 610, 620



ILLUSTRATIONS ARE REPRESENTATIVE AND ARE NOT INTENDED TO SHOW ALL DETAILS FOR EACH COMPONENT

TRACTOR - - MODEL NUMBER 917.203850

KOHL ENGINE-MODEL NUMBER SV591-3217

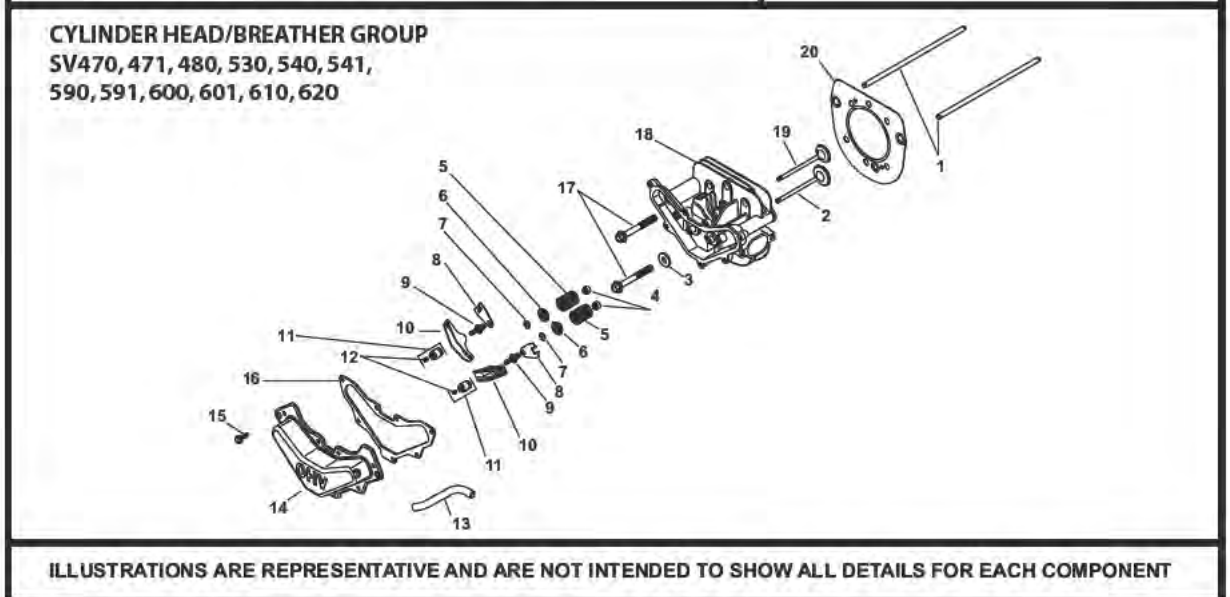
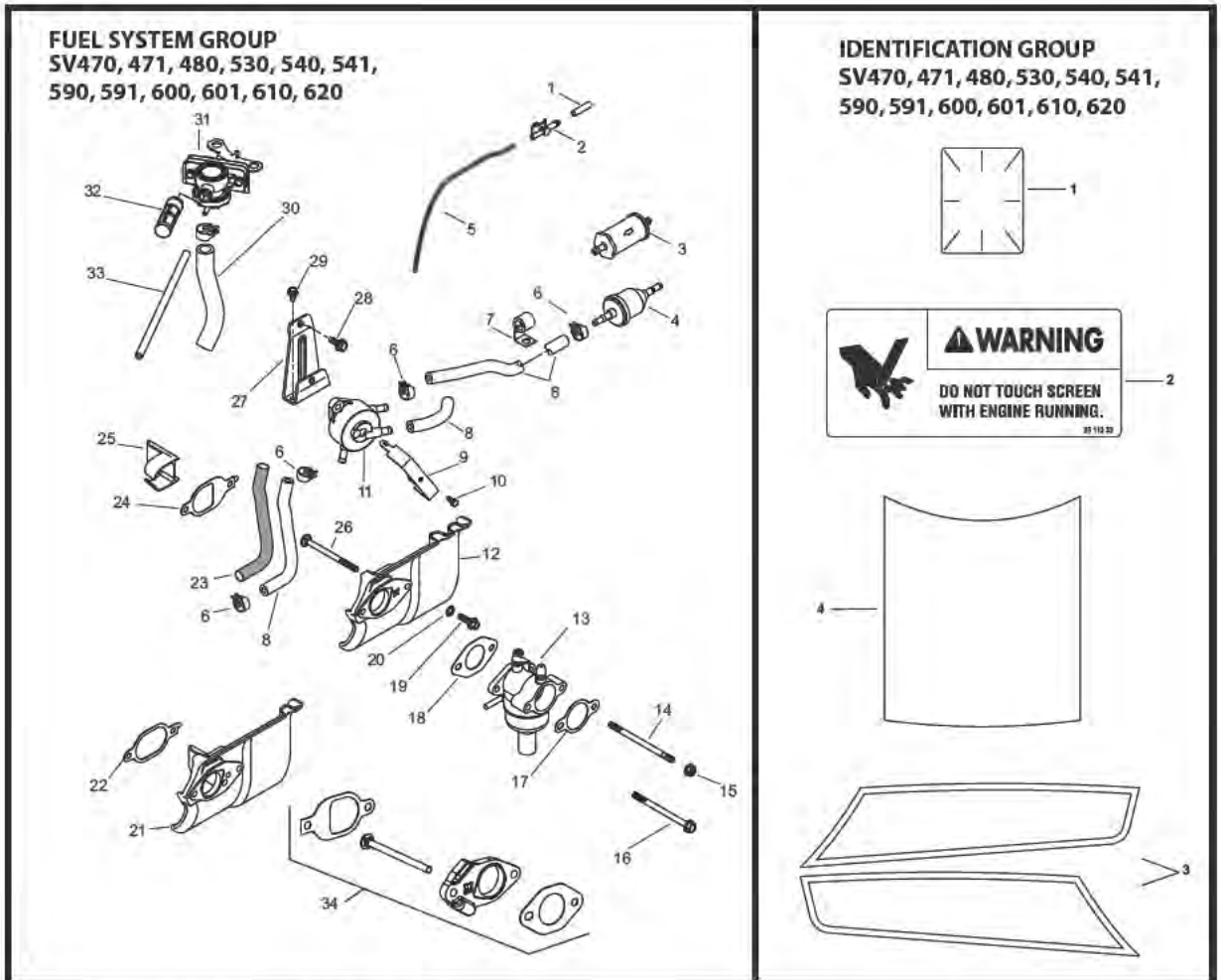
KEY PART NO.	NO.	DESCRIPTION
CRANKCASE GROUP		
1	20 044 32-S	KIT, ACR WEIGHT AND FOLLOWER
2	20 468 03-S	WASHER, THRUST -ACR
3	20 010 22-S	CAM GEAR ASSEMBLY, INTAKE
4	20 144 02-S	SHAFT, GOVERNOR CROSS
5	M-631015-S	WASHER, FLAT 6 MM
6	X-25-102-S	WASHER, FLAT 1/4"
7	12 154 05-S	CLIP, HITCH PIN
9	20 086 12-S	SCREW, SHD THD FRM
8	20 393 02-S	KIT, OIL PUMP ASSEMBLY
12	20 086 06-S	SCREW, SHD THD FRM M6X1X26
16	25 139 57-S	PLUG, SQ HD PIPE 3/8"
19	20 067 05-S	ROD, CONNECTING ASSEMBLY
20	20 032 08-S	SEAL, OIL
23	62 018 04-S	RETAINER, PISTON PIN
24	20 874 16-S	KIT, PISTON,RINGS & PIN ASSY 94mm BORE
25	20 108 04-S	RING SET (94MM)
27	20 090 12-S	KIT, CAM LEVER
29	20 123 02-S	TUBE, DRAINBACK
30	20 468 08-S	WASHER, THRUST
31	20 144 11-S	KIT,CAM CENTER SHAFT (EXHAUST)
32	20 010 23-S	CAM GEAR ASSEMBLY, EXHAUST
33	20 089 06-S	SPRING, ACR

KEY PART NO.	NO.	DESCRIPTION
CRANKSHAFT GROUP		
1	20 014 47-S	CRANKSHAFT ASSEMBLY
2	25 139 27-S	PLUG, CUP
4	X-42-15-S	KEY, 3/16" X 5/8"
5	20 043 15-S	GEAR, CRANKSHAFT
6	25 086 214-S	SCREW, LINK PIVOT
7	20 186 06-S	LINKAGE, BALANCE WEIGHT
8	25 086 213-S	SCREW, SHOULDER

KEY PART NO.	NO.	DESCRIPTION
BLOWER HOUSING GROUP		
1	20 086 06-S	SCREW, SHD THD FRM M6X1X26
2	20 027 13-S	HOUSING, BLOWER
6	25 086 397-S	SCREW, THREAD FORMING
7	20 063 03-S	BAFFLE, BARREL

TRACTOR - - MODEL NUMBER 917.203850

KOHL ENGINE-MODEL NUMBER SV591-3217



TRACTOR - - MODEL NUMBER 917.203850

KOHL ENGINE-MODEL NUMBER SV591-3217

KEY PART NO. NO.	DESCRIPTION	KEY PART NO. NO.	DESCRIPTION
FUEL SYSTEM GROUP		CYLINDER HEAD/BREATHER GROUP	
1	25 173 33-S CAP, MASKING	1	20 411 05-S ROD, PUSH
2	25 155 51-S CONNECTOR, EVAPORATIVE	2	20 017 01-S VALVE, INTAKE
4	25 050 21-S FILTR,FUEL 75 MICRON (GRAVITY FEED)	3	12 468 05-S WASHER, FLAT 13/32"
5	25 326 28-S HOSE, EVAPORATIVE	4	20 032 10-S SEAL, VALVE STEM
6	25 237 14-S CLAMP, HOSE (KM)-USE 25 237 31-S	5	20 089 03-S SPRING, VALVE
8	25 111 34-S HOSE,LW PERM.FUEL 24.00"- USE 25 111 81-S	6	20 173 01-S CAP, VALVE SPRING
13	20 853 88-S KIT, CARBURETOR	7	20 062 01-S LOCK, RETAINER
14	20 072 10-S STUD	8	20 146 03-S PLATE, PUSH ROD GUIDE
15	M-641060-S NUT, FLG M6X1.0	9	20 072 08-S STUD, ROCKER
18	12 041 01-S GASKET, CARBURETOR	10	20 186 01-S ARM, ROCKER
19	M-651020-S SCREW, FLG M6x1.0x20	11	20 599 04-S ROCKER PIVOT ASSEMBLY
20	X-22-11-S WASHER, INT TOOTH LOCK 1/4"	12	20 086 04-S SCREW, SET
24	20 041 18-S GASKET, HEAT DEFLECTOR	13	20 326 20-S HOSE, BREATHER
34	20 112 08-S KIT, CARBURETOR SPACER	14	20 096 23-S COVER ASSY, VALVE - USE 20 096 25-S
--	20 314 08-S SHIELD, HEAT	15	25 086 396-S SCREW, THREAD FORMING
--	20 518 04-S LEAD, JUMPER	16	20 041 13-S GASKET, VALVE COVER
--	25 454 05-S TIE	17	20 086 02-S SCREW, CYLINDER HEAD (M10 X 80)
		18	20 318 14-S KIT, CYLINDER HEAD
		19	20 016 01-S VALVE, EXHAUST
		20	20 841 01-S KIT, CYLINDER HEAD GASKET
		--	20 755 38-S KIT, CYLINDER HEAD HARDWARE

KEY PART NO. NO.	DESCRIPTION
---------------------	-------------

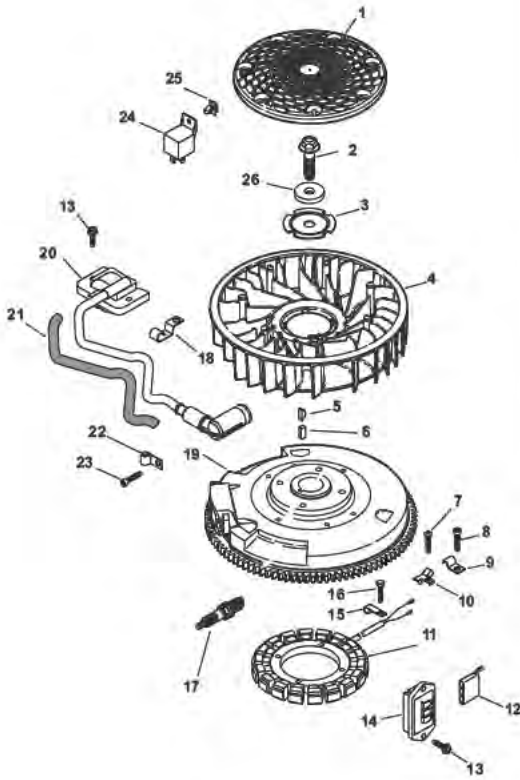
IDENTIFICATION GROUP

1	25 113 70-S	LABEL, CLEAR LAMINATION
4	20 113 86-S	LABEL, 19 HP (SV591) COURAGE

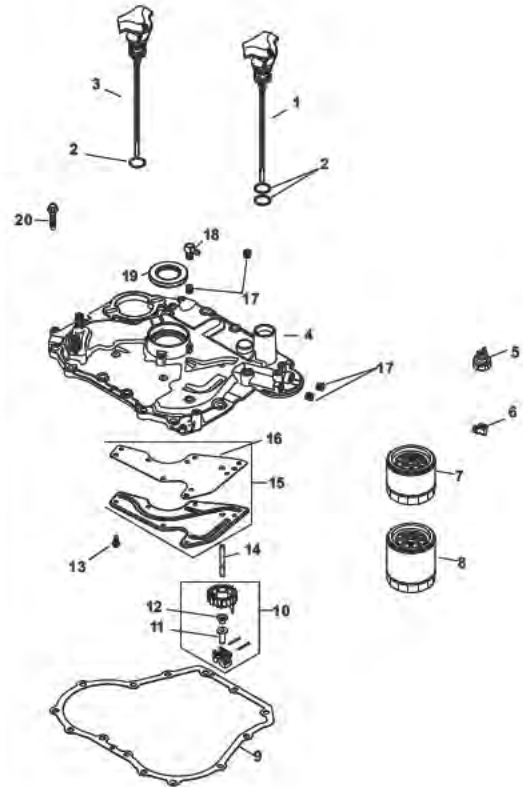
TRACTOR - - MODEL NUMBER 917.203850

KOHL ENGINE-MODEL NUMBER SV591-3217

IGNITION/CHARGING GROUP SV470, 471, 480, 530, 540, 541, 590, 591, 600, 601, 610, 620



LUBRICATION GROUP SV470, 471, 480, 530, 540, 541, 590, 591, 600, 601, 610, 620



ILLUSTRATIONS ARE REPRESENTATIVE AND ARE NOT INTENDED TO SHOW ALL DETAILS FOR EACH COMPONENT

TRACTOR - - MODEL NUMBER 917.203850

KOHL ENGINE-MODEL NUMBER SV591-3217

KEY PART NO. NO.	DESCRIPTION	KEY PART NO. NO.	DESCRIPTION
IGNITION/CHARGING GROUP		LUBRICATION GROUP	
1	20 162 02-S SCREEN, GRASS	2	25 153 09-S O-RING
2	25 086 362-S SCREW, HEX FLANGE	3	20 040 08-S BLADE, DIPSTICK ASSEMBLY
3	20 146 05-S PLATE, FAN MOUNTING	4	20 009 35-S PLATE, CLOSURE ASSEMBLY
4	20 157 01-S FAN	8	52 050 02-S OIL FILTER
6	25 340 04-S KEY, SQUARE	8	25 050 25-S OIL FILTER USE 52 050 02-S
7	25 086 402-S SCREW, THREAD FORMING	9	20 041 21-S GASKET, CLOSURE PLATE
11	237878-S KIT, 15 / 20 AMP STATOR	10	25 310 07-S KIT, GOVR GEAR ASSY - (#2531008S)
12	25 155 41-S CONNECTOR	11	12 380 01-S PIN, GOVERNOR REGULATING
13	25 086 399-S SCREW, THREAD FORMING	12	62 380 02-S PIN, GOVERNOR REGULATING
14	41 403 10-S REGULATOR/RECTIFIER	13	M-545013-S SCREW, FLG THD FRM M5X0.8X13
15	20 154 04-S CLIP, WIRE	14	20 144 03-S SHAFT, GOVERNOR CROSS
17	25 132 12-S PLUG, SPARK (PRO SERIES)	15	20 096 21-S KIT, OIL PASSAGE COVER
19	20 025 44-S FLYWHEEL ASSEMBLY	16	20 041 19-S GASKET, OIL PASSAGE
20	20 584 03-S MODULE, IGNITION (CDI FIXED)	17	25 139 60-S PLUG, CTSK PIPE 1/8"
26	25 468 09-S WASHER, FLAT	19	20 032 08-S SEAL, OIL
--	20 176 20-S HARNESS, WIRING	20	25 086 421-S SCREW, HEX FLANGE
--	25 454 05-S TIE		