

*Cleaning  
Equipment*



**portotecnica**

*www.portotecnica.com*

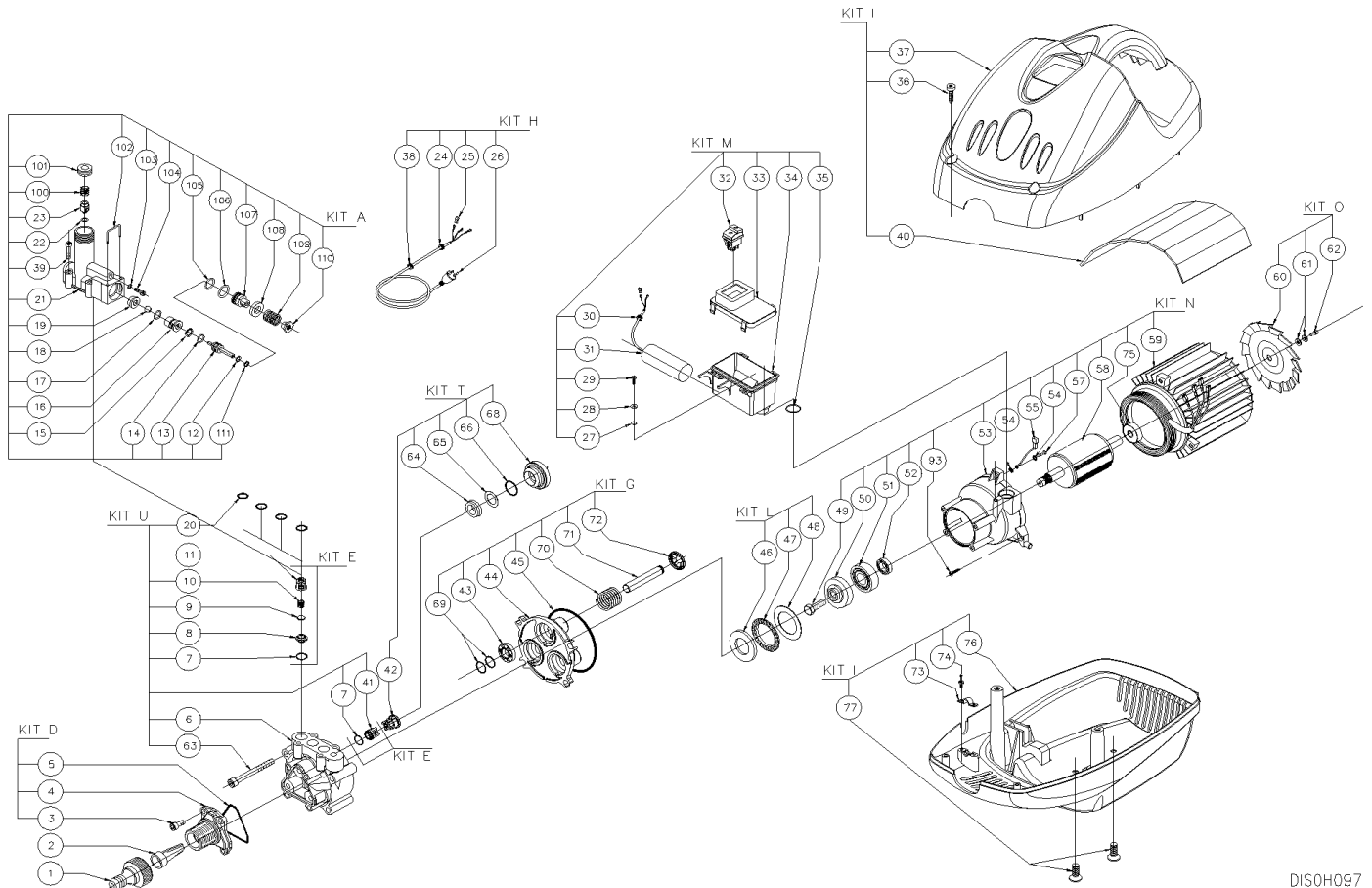
## **Spare Parts List**

**ENTUZIAST**

**Ref: IDAF82518**

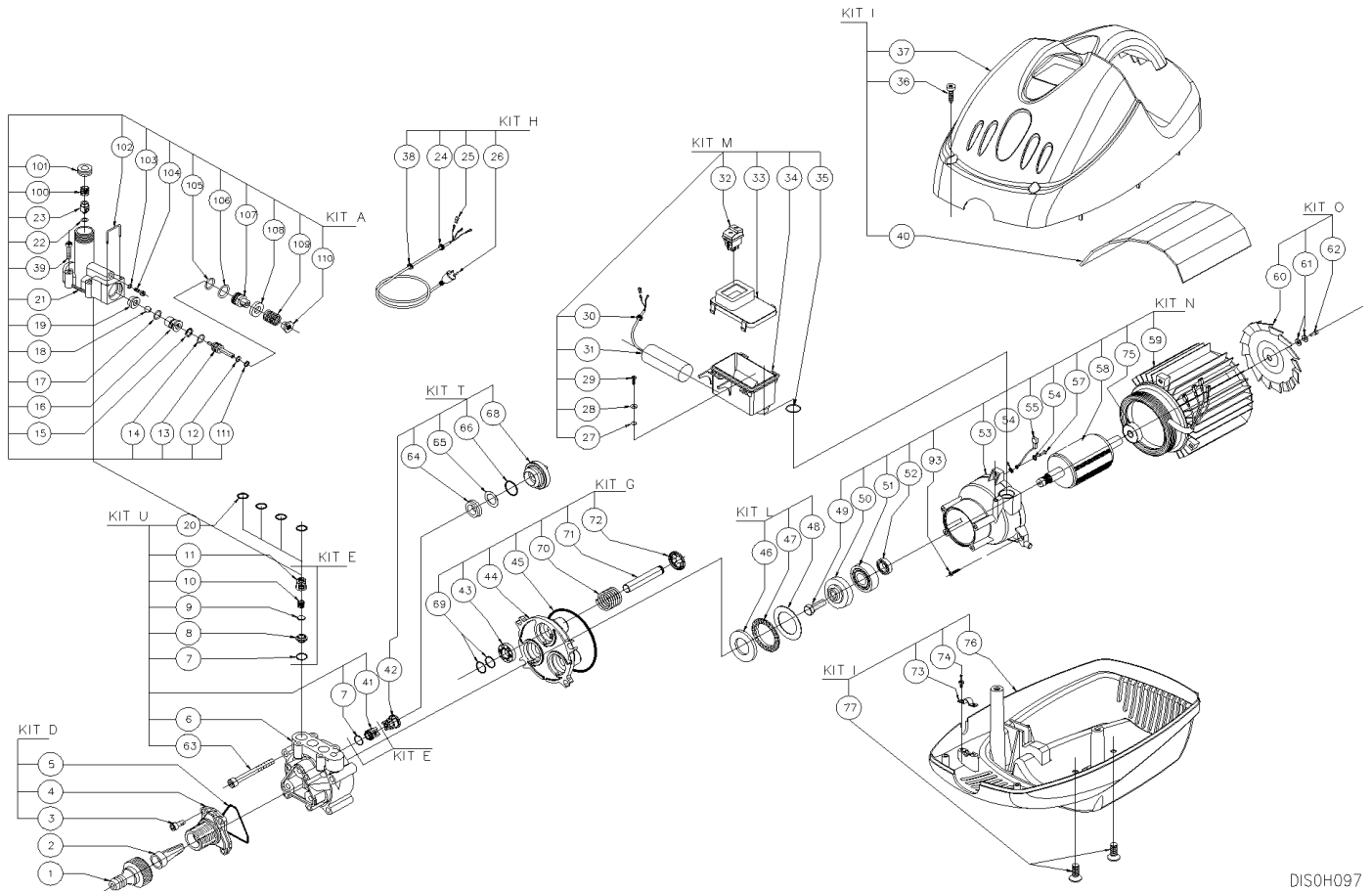
**Model: IDROP H101**

**1005 M 230/50 3-01FAI**



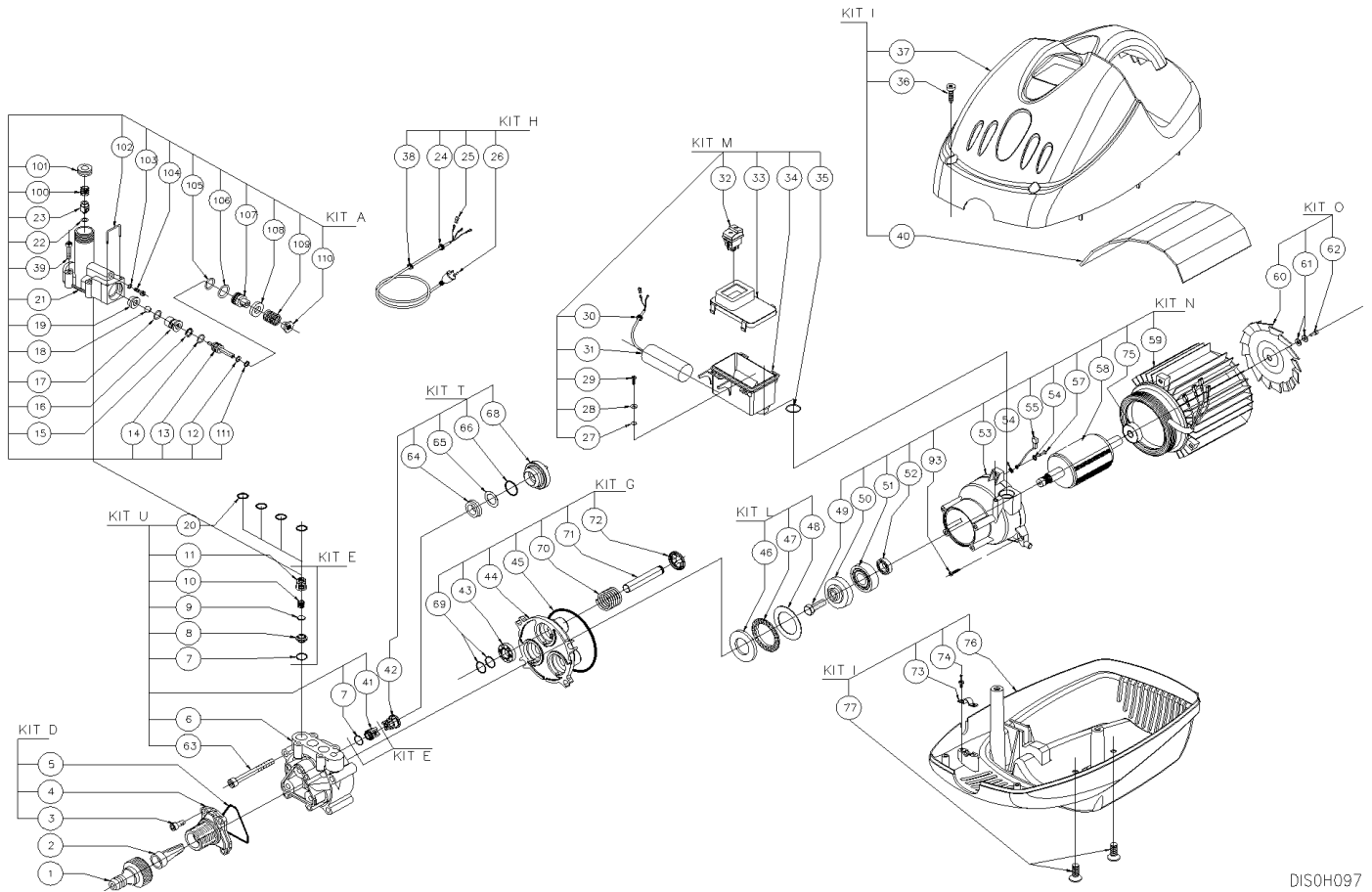
DIS0H097

Ref.	K	Part N.	Customer Part N.	Description	Qty	Validity: From	To	Price
0001	E	RCVR62752		SOCKET 3433 BK.	1,00			--
0002	E	FTDT60702		WATER FILTER H94 IP	1,00	07/2001		--
0003	E	VTVT67358		SCREW TCEI M5X20 AUTOM. TRIL.ZN	4,00	07/2001		--
0004	E	MPVR82679		CONNECTOR ASP. H101	1,00	07/2001		--
0005	E	GUGO63480		O-RING 46,6X41,1X2,9X1,8	1,00	07/2001		--
0006	E	MFVR57484		PUMP HEAD H100	1,00	07/2001		--
0007	E	GUGO63403		O-RING D. 8.73 X 1.78 NBR 70SH	6,00			--
0008	E	MPVR60597		VALVE SEAT A/M H100	6,00	04/1999		--
0009	E	MPVR60512		COUPLING A/M H100	6,00	04/1999		--
0010	E	MLML59292		SPRING A/M H100	6,00	04/1999		--
0011	E	MPVR60428		VALVE CAGE A/M H100	6,00	04/1999		--
0012	E	GUGO08071		O-RING D. 4.48 X 1.78 NBR 70SH	1,00			--
0013	E	PVVR59575		SMALL PISTON BY-PASS OT	1,00			--
0014	E	GUGO63403		O-RING D. 8.73 X 1.78 NBR 70SH	1,00			--
0015	E	GUVR63570		ANTI-EXTR.RING D. 9 X12 X1.5 OR108	1,00			--
0016	E	PVVR81275		VALVE SEAT D. 5.6 B POL.	1,00			--
0017	E	GUGO03496		O-RING D. 9.25 X 1.78 NBR 70SH	1,00			--
0018	E	SFVR53318		BALL D. 7 AISI 420	1,00			--
0019	E	PVVR40167		CAP B12	1,00			--
0020	E	GUGO41446		O-RING D. 12 X 2 NBR 70SH	4,00			--
0021	E	MFVR83840		MANIFOLD AL H110 USA C/VITE	1,00			--
0022	E	GUGO40181		O-RING D. 5 X 2 NBR 90SH	1,00			--
0023	E	VVSF40182		VALVE H90 PLS	1,00			--
0024	E	MEVR77797		FAIR-LEAD DK7/14/18-3	1,00	02/2002		--
0025	E	MEVR61916		FASTON COVER F 6,3 UL	5,00			--
0026	E	MECB82525		CABLE HO5RN-F 3X0,75	1,00	02/2002		--
0028	E	VTRS15958		WASHER D. 5 X15 UNI 6593	1,00			--
0029	E	VTVT62947		SCREW M 5X 20 TCCR AMT	1,00			--
0030	E	MPVR60518		FAIR-LEAD 15X7,5	1,00	01/2002		--
0031	E	MECO82744		CAPACITOR 16MF 450V D.36X70	1,00	01/2002		--
0032	E	MECI61578		SWITCH 0-1 B4D112E11121200000	1,00			--
0033	E	MPVR82526		BOX COVER H101	1,00			--
0034	E	MPVR82527		BASE-SUPPORT SC. EL. H101	1,00	02/2002		--
0035	E	GUGO63500		O-RING D. 19 X 2 NBR 70SH	1,00	12/1997		--
0036	E	VTVT63114		SCREW TCB TC 5 X30 UNI 9707 BR	2,00	11/2001		--
0037	E	MPVR83590		RED COVER H101 C/MANIGLIA	1,00	01/2002		--
0038	E	MPVR83689		FAIR-LEAD H101 C/FORO D.6	1,00	02/2002		--
0039	E	VTVT63026		SCREW TCEI M 5X30 UNI 5931 ZC	4,00	12/1999		--
0040	E	MPVR83221		SEPARATOR SP. 2.5 H101	1,00	11/2001		--



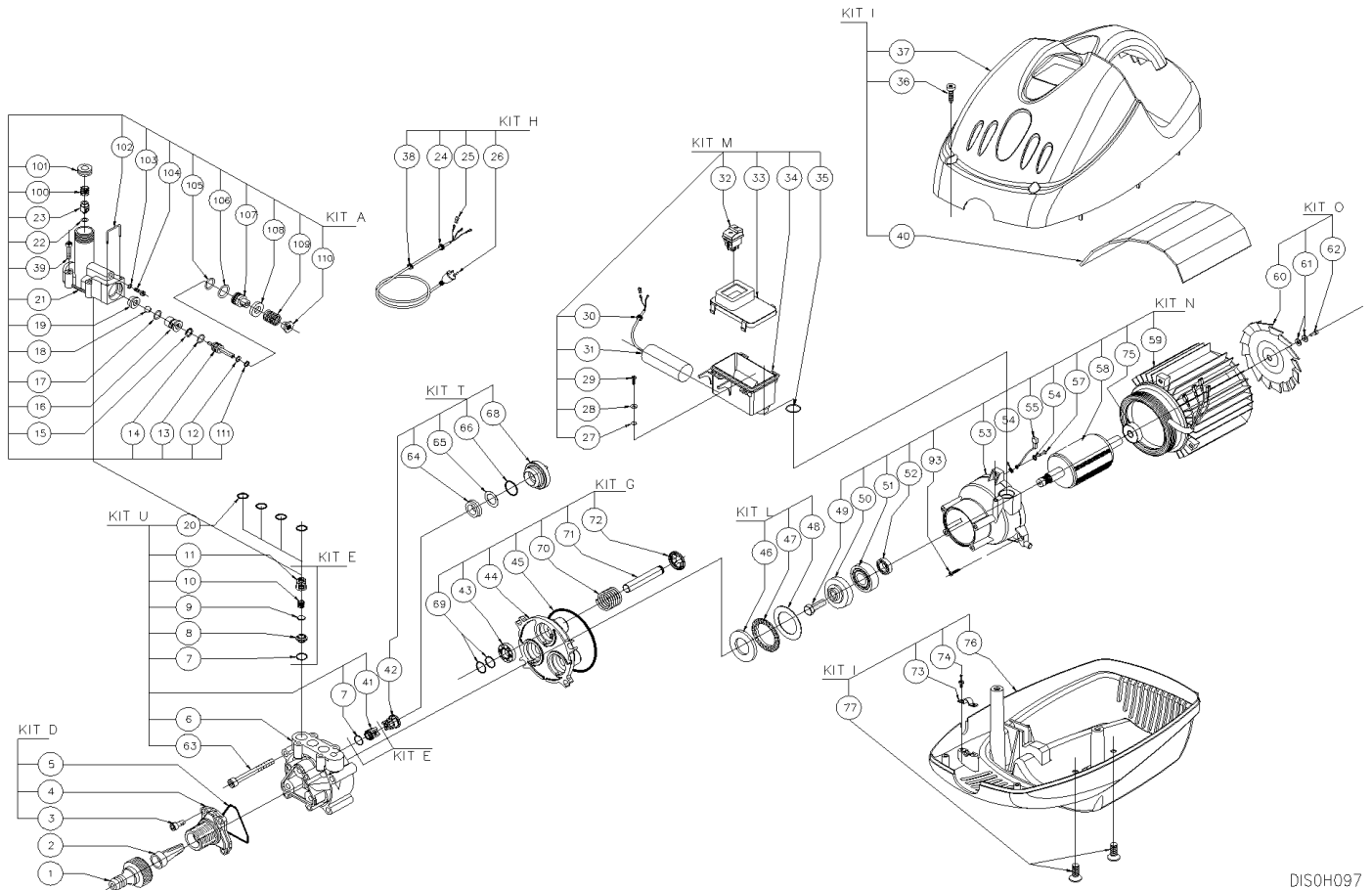
DIS0H097

Ref.	K	Part N.	Customer Part N.	Description	Qty	Validity: From	To	Price
0041	E	VVAM64097		SMALL VALVE A/M H100	6,00	04/1999		--
0042	E	MPVR90742		SPACER VALVOLA ASP. H100 NEW	3,00	01/2004		--
0043	E	PVVR63546		PACKING OIL 18X10 5/7	3,00			--
0044	E	MFVR81385		PUMP CRANKCASE H100	1,00	11/2000		--
0045	E	GUGO01038		O-RING D. 63.17 X 2.62 NBR 70SH	1,00			--
0046	E	CUVR53335		ROLLER BEAR.DISPIANA 28X52H4 GAR	1,00	07/1999		--
0047	E	CUVR78340		ROLLER BEAR.DISH2 AXK3552	1,00	07/1999		--
0048	E	CUVR78341		ROLLER BEAR.DISH1 AS3552	1,00	07/1999		--
0049	E	VTVT80442		SCREW TE M 8X 25 BR SX	1,00	08/2000		--
0050	E	MFVR58251		CAP H110 13°	1,00			--
0051	E	CUVR53302		BALL BEARING 6302 -15X42X13 ZKL	1,00			--
0052	E	PVVR63536		PACKING D. 15X24X5	1,00			--
0053	E	MFVR84233		SHIELD ANT. H101 FINITO	1,00			--
0054	E	VTRS63310		WASHER D. 4	2,00			--
0055	E	MECB80079		CABLE 1X1.5 SG L=27	1,00	11/1999		--
0057	E	VTVT67356		SCREW M 4X 12 TCB TC TRIL.	1,00			--
0058	E	MORT82530		ROTOR 55X17H60	1,00			--
0059	E	MOST82531		EL.MOT. STATOR 110X55H60 230/50 I	1,00			--
0060	E	VEVR67531		MOTOR FAN AL H110	1,00			--
0061	E	VTRS67343		WASHER D. 6 X12 X1.2 CONTACT	2,00	11/1999		--
0062	E	VTVT01114		SCREW TCEI 6X14 UNI 5931	1,00			--
0063	E	VTVT67565		SCREW TCEI M6X50 FIL.25MM ZN	4,00	07/2001		--
0064	E	PVVR90767		PACKING D. 10 X16 X4 -NBR90	3,00	01/2004		--
0065	E	GUVR90552		ANTI-EXTR.RING D.16 X10 X1,3 PTFE	3,00	01/2004		--
0066	E	GUGO24913		O-RING D. 17.17 X 1.78 NBR 90SH	3,00	01/2004		--
0068	E	MPVR90551		BUSHING PL D.10 TEN. LABBRO	3,00	01/2004		--
0069	E	GUGO13384		O-RING 9 X 1.5 -NBR -70SH	6,00	11/2000		--
0070	E	MLML80735		SPRING 20,5X32X2,2 PIST.H110	3,00	05/2000		--
0071	E	PIVR67197		PISTON D.10 H110	3,00	11/1999		--
0072	E	PVVR59103		RETAINER RING PIST.SW H100 D.0,4	3,00			--
0073	E	MPVR60495		CLAMP HOBBY	1,00			--
0074	E	VTVT62978		SCREW TCB TC 4,8X16 ZC	2,00			--
0075	E	CUVR09366		BALL BEARING 6001-2Z	1,00			--
0076	E	MPVR82522		FRAME H101 ROSSO	1,00			--
0077	E	VTVT83213		SCREW M 5X 12 TSPEI	2,00	11/2001		--
0093	E	VTVT62956		SCREW TCEI M 6X22 AUT.F.	3,00	11/2001		--
0100	E	MLML59254		SPRING D. 9.2 X10X0.8 AISI 302	1,00			--
0101	E	PVVR63090		SCREW VALV. N/RIT.	1,00			--
0102	E	LAFN82147		PLUG ARR.CART BY-PASS BUR S2	1,00			--



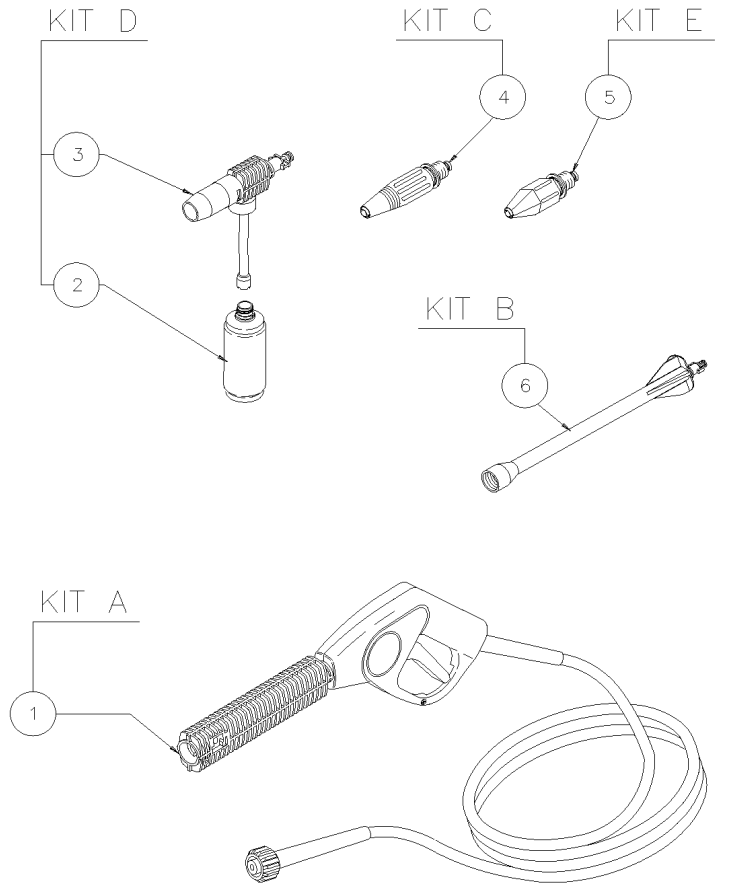
DIS0H097

Ref.	K	Part N.	Customer Part N.	Description	Qty	Validity:		Price
						From	To	
0103	E	GUGO01062		O-RING D. 3.69 X 1.78 NBR 70SH	1,00			--
0104	E	RCDS83749		SCREW CHIUSURA BY PASS M6	1,00			--
0105	E	GUGO11652		O-RING D. 12.42 X 1.78 NBR 70SH	1,00			--
0106	E	GUGO09720		O-RING D. 14 X 1.78 NBR 70SH	1,00			--
0107	E	MPVR60387		VALVE BODY BY-PASS H94 PL	1,00			--
0108	E	LAFN40163		SPACER B.PASS 12	1,00			--
0109	E	MLML83504		SPRING 16,7 X20,9 FILO 3.2	1,00			--
0110	E	VTDD59239		NUT H110	1,00			--
0111	E	GUVR63565		ANTI-EXTR.RING D. 8X5,2X1 OR 2018	1,00			--



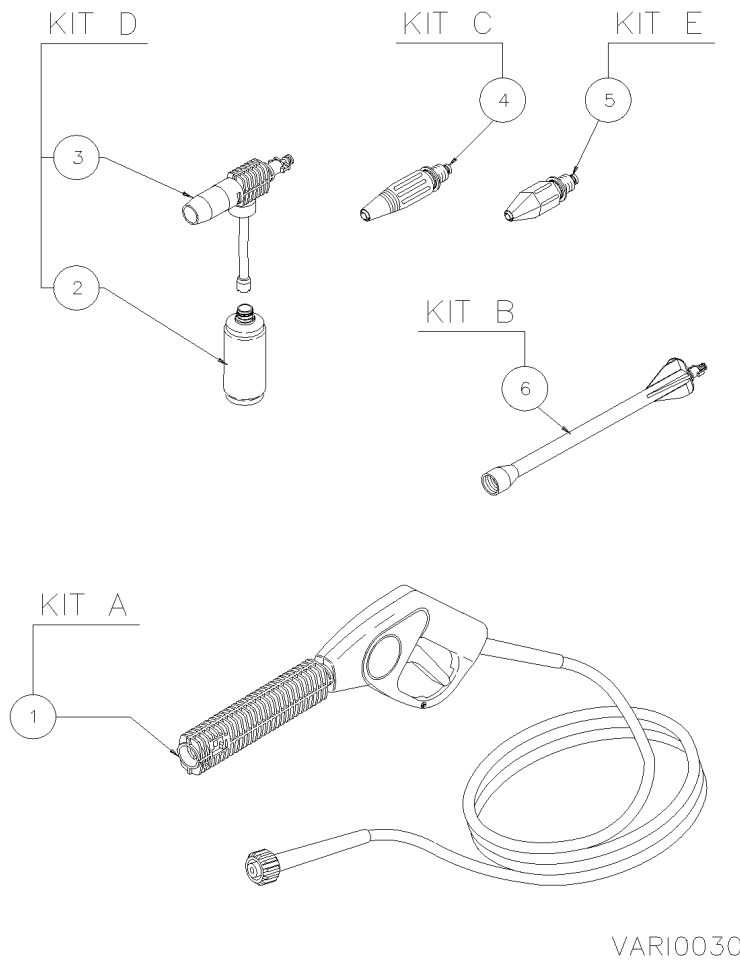
DIS0H097

Ref. Part N.	Cust. Part N.	Description	Reference	Price
K 1	KTRI82976	HOSE FITTING KIT 593 (20 p.z.)	0001	--
K 2	KTRI82975	SUCTION FILTER KIT 592 (20 p.z.)	0002	--
K 3	KTRI82973	SCREW KIT 590 (50 p.z.)	0003	--
K 5	KTRI82974	O-RING KIT 591 (20 p.z.)	0005	--
K A	KTRI84110	MANIFOLD KIT 891 H101 (5 PZ)	0012 0013 0014 0015 0016 0017 0018 0019 0021 0022 0023 0039 0100 0101 0102 0103 0104 0105 0106 0107 0108 0109 0110 0111	--
K D	KTRI84112	INTAKE CONNECT.KIT 893 H101 (1 PZ)	0003 0004 0005	--
K E	KTRI82765	SMALL VALVE KIT 543 H100 (A.P.)(30 PZ	0007 0008 0009 0010 0011	--
K G	KTRI82767	CRANKCASE KIT 545 (5 PZ)	0043 0044 0045 0069 0070 0071 0072	--
K H	KTRI84113	CABLE KIT 894 H101 EU (1 PZ)	0024 0025 0026 0038	--
K I	KTRI84114	RED COVER KIT 895 H101 (1 PZ)	0036 0037 0040 0073 0074 0076 0077	--
K L	KTRI82770	ROLLER BEAR.DISKIT 548 (10 PZ)	0046 0047 0048	--
K M	KTRI84115	CONTROL BOARD KIT 896 H101 (2 PZ)	0027 0028 0029 0030 0031 0032 0033 0034 0035	--
K N	KTRI84116	MOTOR KIT 897 H101 (1PZ)	0049 0050 0051 0052 0053 0054 0055 0057 0058 0059 0075 0091 0093	--
K O	KTRI84117	IMPELLER KIT 898 H101 (5 PZ)	0060 0061 0062	--
K T	KTRI91117	PACKING RETAIN.KIT F 15- 1 H100	0042 0064 0065 0066 0068	--
K U	KTRI91118	HEAD F 15- 2 H100 NEW (5 PZ)	0006 0007 0008 0009 0010 0011 0020 0041 0063	--
K 45	KTRI82977	O-RING KIT 594 (20 p.z.)	0045	--
K 73	KTRI82982	CLAMP KIT 599 (20 p.z.)	0073	--
K 91	KTRI82987	WASHER KIT 604 (50 p.z.)	0091	--

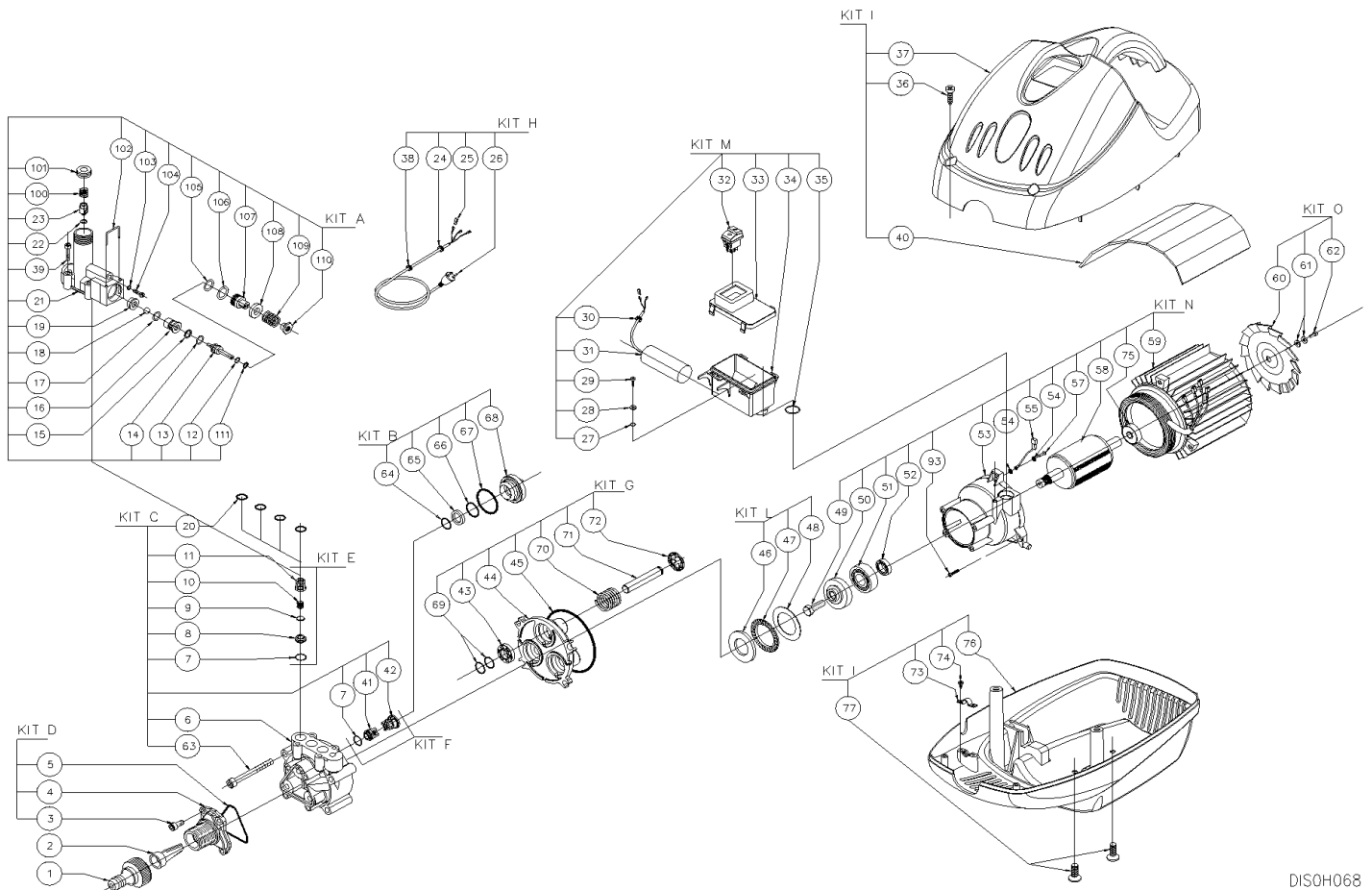


VARI0030

Ref.	K	Part N.	Customer Part N.	Description	Qty	Validity:		Price
						From	To	
0001	E	IPPR82646		GUN SW TE 3,5MT V0+1P CFP 100	1,00			--
0002	E	MPVR60992		TANK 0,4 LT S/TPP	1,00			--
0003	E	LCPR83620		FOAM DEVICE SWING 96	1,00			--
0004	E	LCTE81720		HEAD T10F COMBI 1,25 TR206	1,00			--
0006	E	LCPR81279		EXTENSION X TESTINE TR206	1,00			--



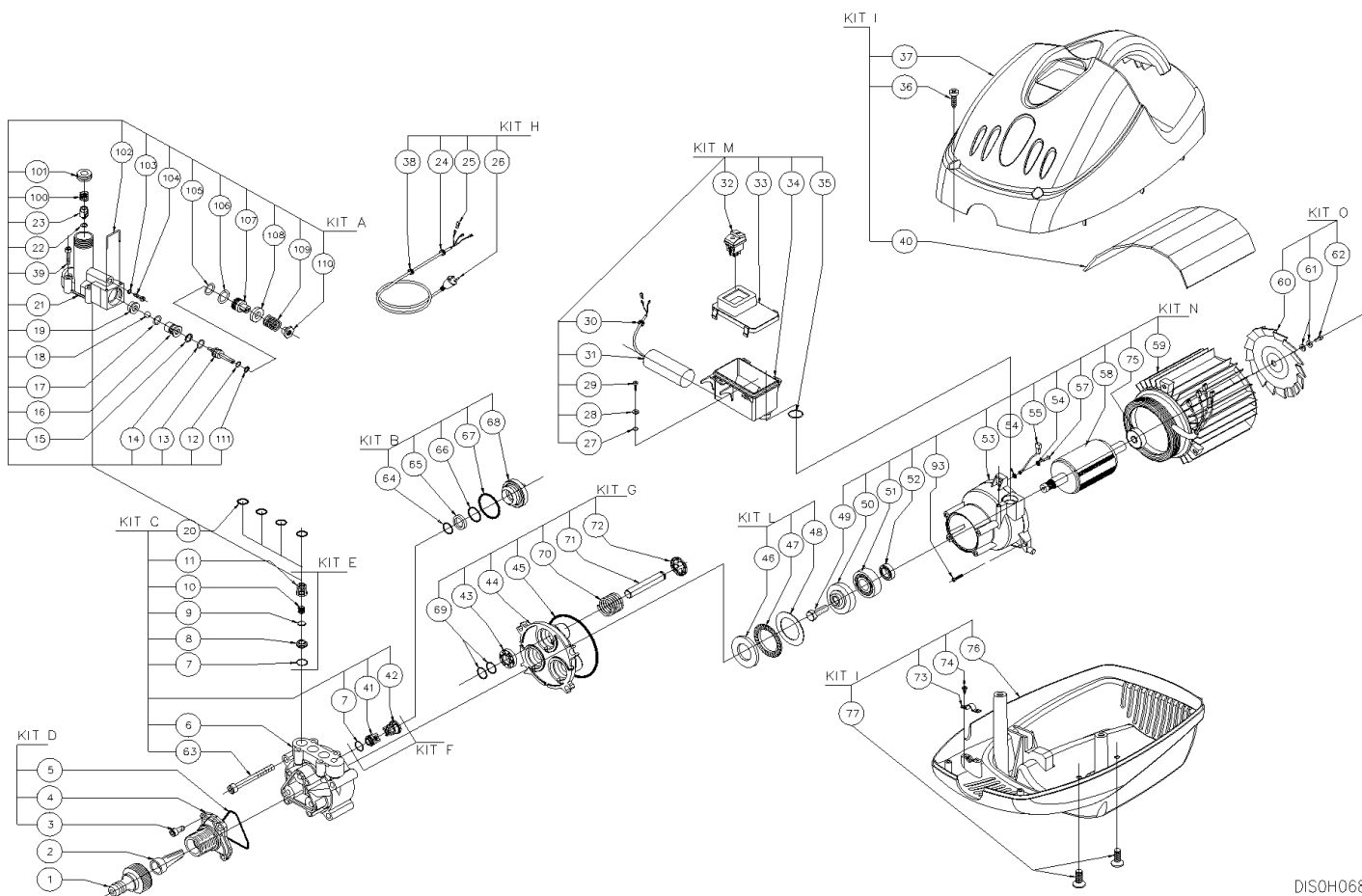
Ref. Part N.	Cust. Part N.	Description	Reference	Price
K A	KTRI84124	GUN KIT 905 SW TE 3,5M (1 PZ)	0001	--
K B	KTRI83571	EXTENSION KIT 675 PIST. SW (10PZ)	0006	--
K C	KTRI84125	HEAD KIT 906 COMBI 1,25 (10PZ)	0004	--
K D	KTRI83573	FOAM DEVICE KIT 677 SW 96 (10PZ)	0002 0003	--



DIS0H068

Ref.	K	Part N.	Customer Part N.	Description	Qty	Validity:		Price
						From	To	
0042	E	MPVR60416		SPACER VALVOLA ASP. H100	3,00	04/1999	12/2003	--
0064	E	GUGO82234		O-RING 9,92 X 2,82 NBR 90 SH	3,00	03/2001	12/2003	--
0065	E	GUVR80741		ANTI-EXTR.RING D. 14.5 X10 X 1.5	3,00	03/2000	12/2003	--
0066	E	GUGO24913		O-RING D. 17.17 X 1.78 NBR 90SH	3,00	03/2000	12/2003	--
0067	E	GUGO63411		O-RING D. 22.23 X 2.62 NBR 70SH	3,00		12/2003	--
0068	E	MPVR81382		BUSHING PL D.10 V100	3,00	11/2000	12/2003	--





DIS0H068

Ref. Part N.	Cust. Part N.	Description	Reference	Price
K B	KTRI82762	PACKING RETAIN.KIT 540 (30 PZ) H100	0064 0065 0066 0067 0068	--
K C	KTRI84111	HEAD KIT 892 H101 (5 PZ)	0006 0007 0008 0009 0010 0011 0020 0041 0042 0063	--
K F	KTRI82766	SMALL VALVE KIT 544 (30 PZ) B.P.	0007 0041 0042	--