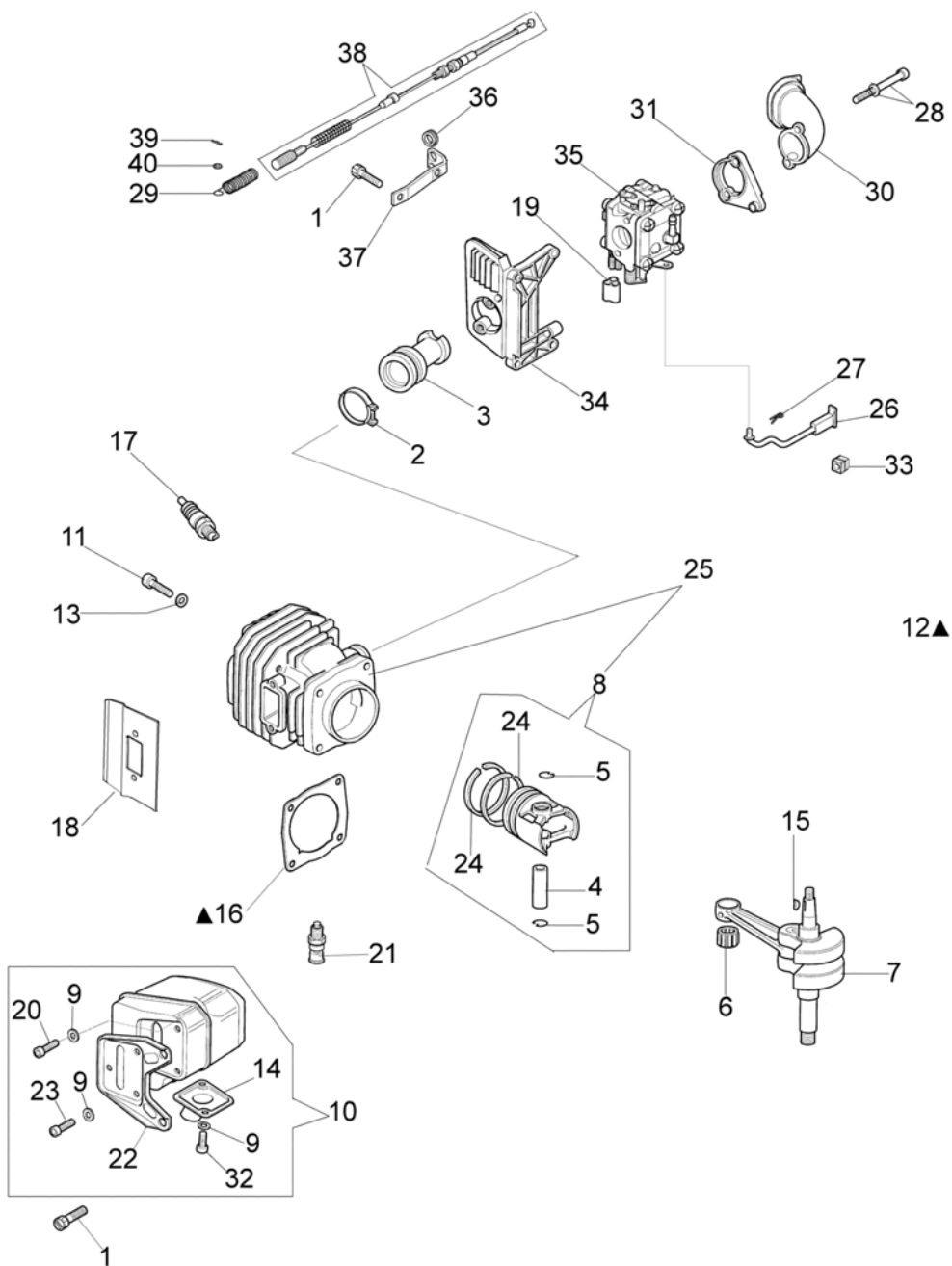


# TR 1585 R Earth auger - Engine assy

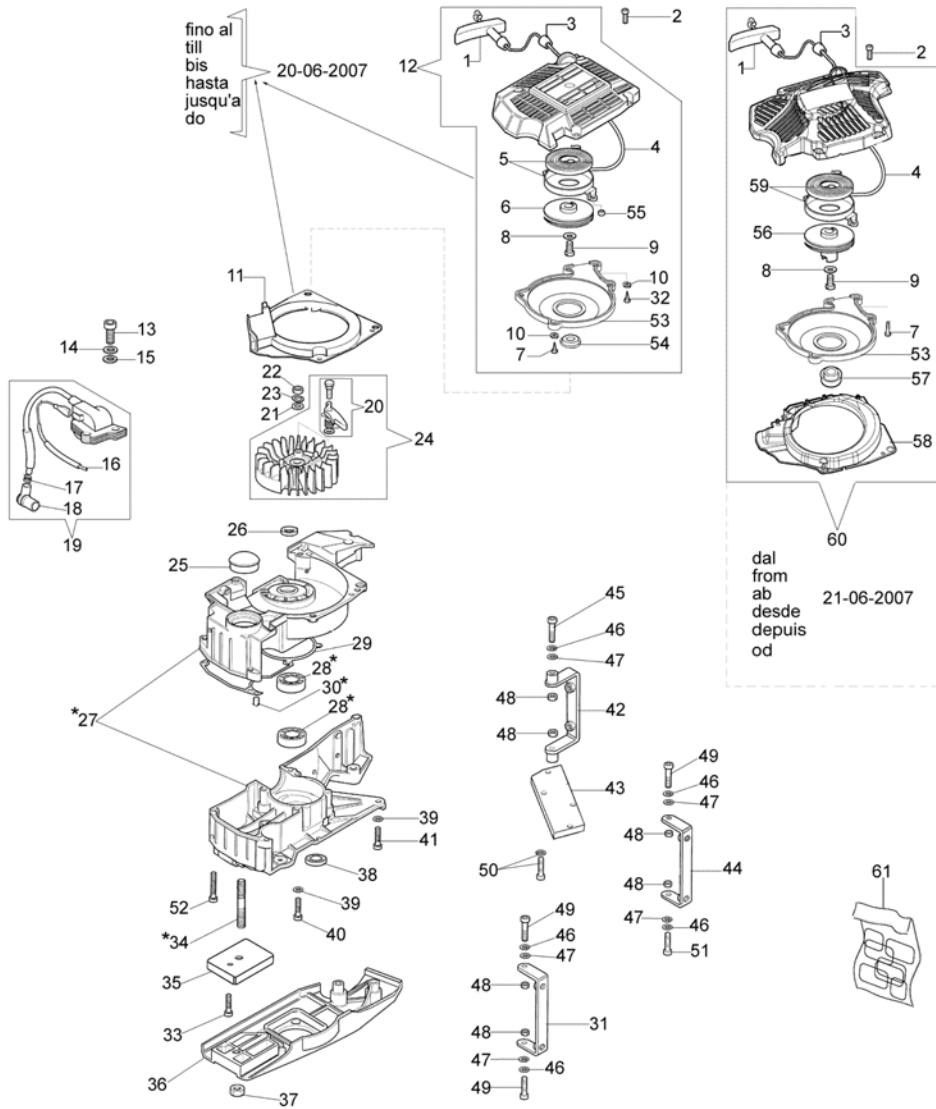


## TR 1585 R Earth auger - Engine assy



Ref.Nu	Qty	Part number	Description	Validity from	Validity till	Notes	Bulletin
1	3	097000092AR	Screw				
2	1	097000059A	Spring				
3	1	098000010	Manifold				
4	1	094500007R	Piston pin				
5	2	007201198	Ring				
6	1	006000010	Bearing				
7	1	098000001R	Crankshaft				
8	1	098000312B	Piston assy Ø52				
9	2	3033074	Washer				
10	1	52010441A	Muffler				
11	1	005100906AR	Screw				
12	1	097000215A	Gasket set				
13	4	3833076	Washer				
14	1	098000133	Deflector				
15	1	094500028R	Key				
16	1	52010458R	Gasket				
17	1	3055101	Spark plug				
18	1	097000094CR	Gasket				
19	1	097000323A	Screw guide				
20	2	3801045R	Screw				
21	1	52010067	Decompressor				
22	1	097000342A	Cover				
23	3	3801052R	Screw				
24	2	098000004R	Piston ring Ø52				
25	1	50102012E	Cylinder				
26	1	52010078	Starter lever				
27	1	006000102	Cotter pin				
28	2	61052009B	Screw				
29	1	53030037	Spring				
30	1	098000043	Fittings				
31	1	097000333	Flange				
32	1	005100913B	Screw				
33	1	097000057	Grommet				
34	1	097000280	Support				
35	1	53030049	Carburetor				
36	1	006000187	Grommet				BT6-055-03/08
37	1	53030054	Cable				BT6-055-03/08
38	1	53030019	Throttle cable				
39	1	004000059	Cotter pin				
40	1	3916003	Washer				

# TR 1585 R Earth auger - Crankcase and starter assy



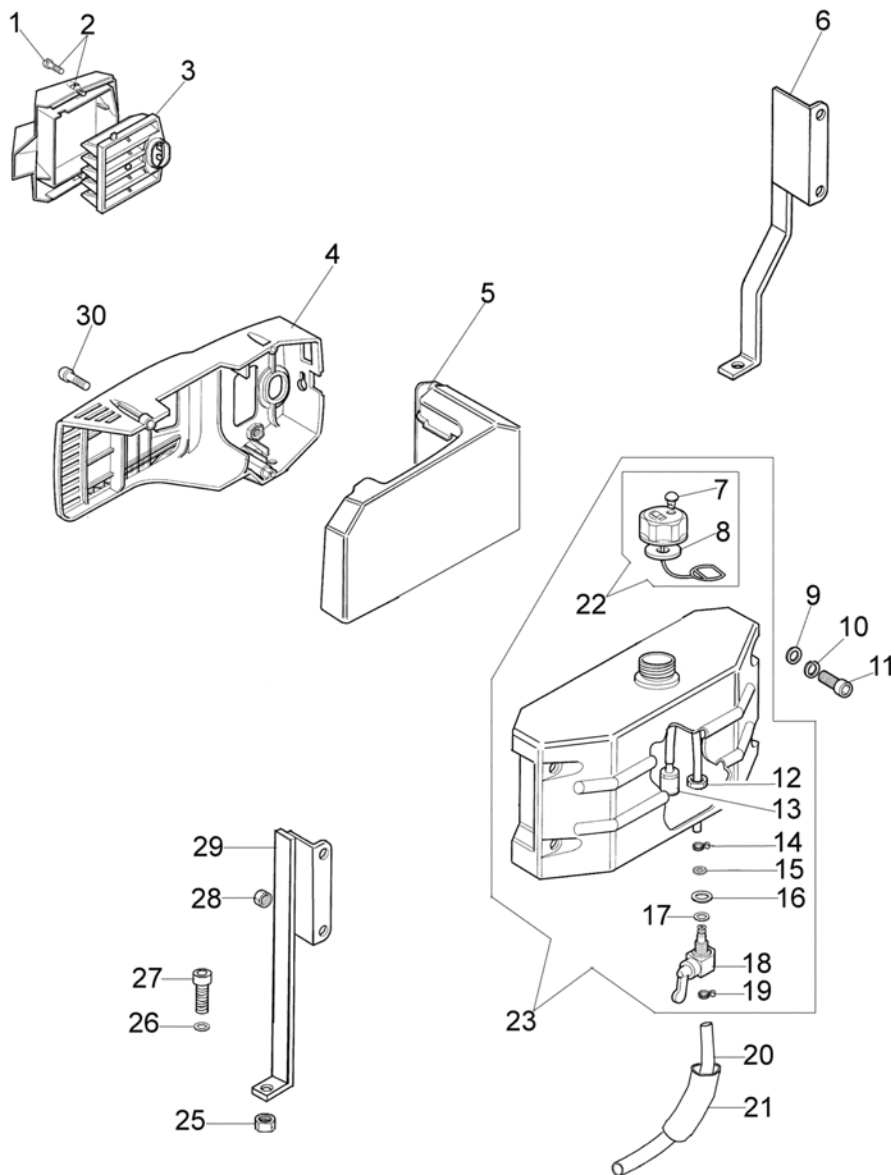
## TR 1585 R Earth auger - Crankcase and starter assy



Ref.Nu	Qty	Part number	Description	Validity from	Validity till	Notes	Bulletin
1	1	50140060	Handle				BT6-052-09/07
2	4	097000092AR	Screw				
3	1	50140056	Cap				BT6-052-09/07
4	1	098000079R	Starter rope				BT6-052-09/07
5	1	098000060AR	Compl. spring				BT6-052-09/07
6	1	52010439CR	Pulley				BT6-052-09/07
7	5	3960017AR	Screw				BT6-052-09/07
8	1	3918006	Washer				BT6-052-09/07
9	1	3908036	Screw				BT6-052-09/07
10	5	3819005	Washer				BT6-052-09/07
11	1	097000019C	Flange				BT6-052-09/07
12	1	52012047AR	Starter assy				BT6-052-09/07
13	2	094000227	Screw				
14	2	006000315R	Washer				
15	2	3916004R	Washer				
16	1	53030054	Cable				
17	1	094600169A	Spring				
18	1	094600097A	Spark plug cap				
19	1	50200162R	Ignition coil				
20	1	52012027	Pawl kit				
21	1	005000361	Washer				
22	1	004000142	Nut				
23	1	3833080	Washer				
24	1	52010136BR	Flywheel				
25	1	52010143A	Tank cap				
26	1	094500004R	Seal ring				
27	1	53032021	Crankcase assy				
28	1	099900006R	Bearing				
29	1	097000009AR	Gasket				
30	2	3023008R	Plug				
31	1	53030005	Bracket				
32	1	3960116	Screw				BT6-052-09/07
33	1	3801004	Screw				
34	1	53030022	Stud				

Ref.Nu	Qty	Part number	Description	Validity from	Validity till	Notes	Bulletin
35	1	53030031	Plate				
36	1	53030001	Cover				
37	2	008200913R	Nut				
38	1	099900014R	Seal ring				
39	6	3833073R	Washer				
40	4	3801035	Screw				
41	1	006000064	Screw				
42	1	53030007	Bracket				
43	1	53030010	Plate				
44	1	53030006	Bracket				
45	1	3801016R	Screw				
46	4	3819006R	Washer				
47	4	3916005R	Sealing washer				
48	6	3933100R	Nut				
49	2	3801032	Screw				
50	1	4196163R	Screw				
51	1	3801015	Screw				
52	1	006100303R	Screw				
53	1	50140055	Cover				BT6-052-09/07
54	1	52010410	Cap				BT6-052-09/07
55	1	52010404	Spacer				BT6-052-09/07
56	1	52010485BR	Starter pulley				BT6-052-09/07
57	1	52010489R	Cap				BT6-052-09/07
58	1	52010484R	Flange				BT6-052-09/07
59	1	52012118BR	Compl spring				BT6-052-09/07
60	1	52010495A	Starter kit				BT6-052-09/07
61	1	53032018	Labels set				

# TR 1585 R Earth auger - Fuel tank and air filter

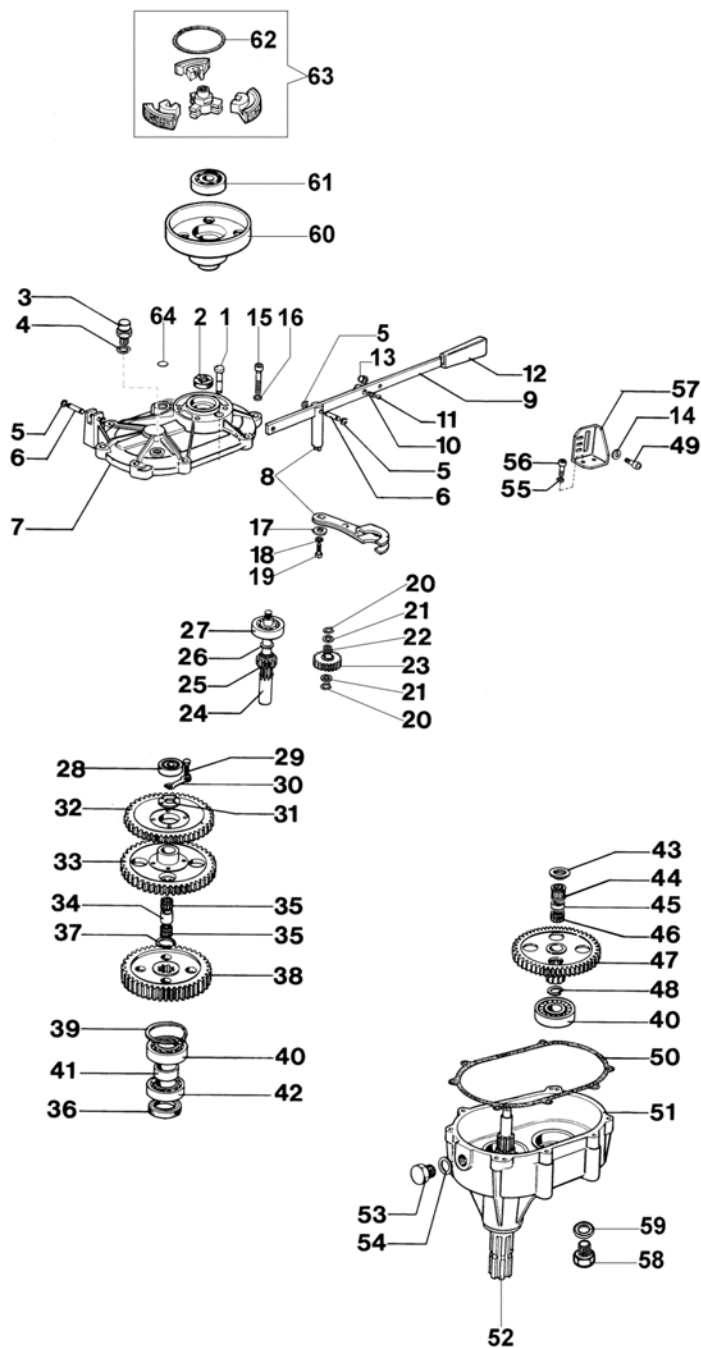


## TR 1585 R Earth auger - Fuel tank and air filter



Ref.Nu	Qty	Part number	Description	Validity from	Validity till	Notes	Bulletin
1	2	093000468A	Screw				
2	1	098000136	Cover				
3	1	098000092R	Air filter nylon				
4	1	098000181	Clutch cover				
5	1	53030044	Guard				
6	1	53030013	Support				
7	1	4098658AR	Breather valve				
8	1	4100308R	Gasket				
9	4	3918005	Washer				
10	4	3819006R	Washer				
11	4	3801011	Screw				
12	1	3912011	Nut				
13	1	50010218R	Fuel filter				
14	1	3059012	Band				
15	1	3049006R	O-ring				
16	1	3078010	Washer				
17	1	3055098	Ring				
18	1	3055046	Cock				
19	1	4098377	Band				
20	1	53030018	Hose				
21	1	53030041	Sheath				
22	1	4151258R	Cap				
23	1	53012004R	Fuel tank				
24	3	099900296R	Screw				
25	2	3914010R	Nut				
26	2	3818011A	Washer				
27	2	3801048	Screw				
28	2	3914003R	Nut				
29	1	53030021	Support				

# TR 1585 R Earth auger - Engine assy





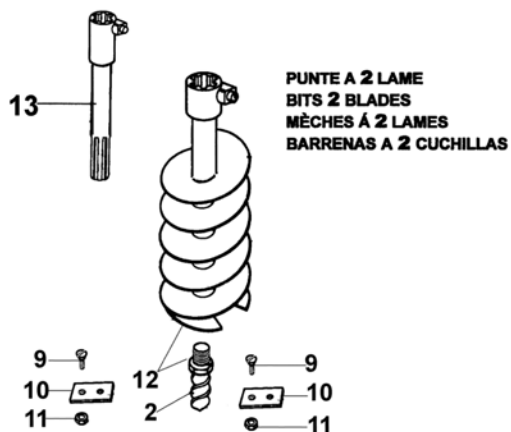
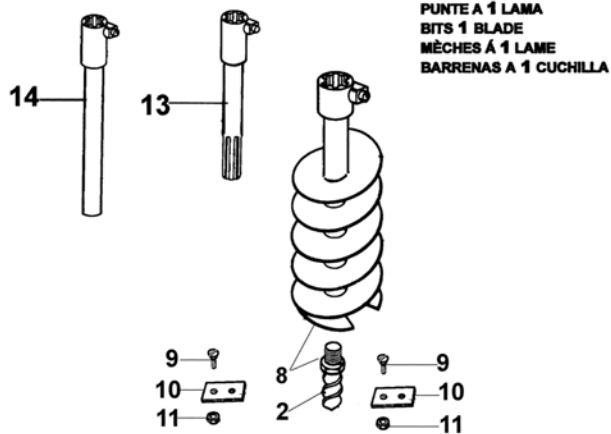
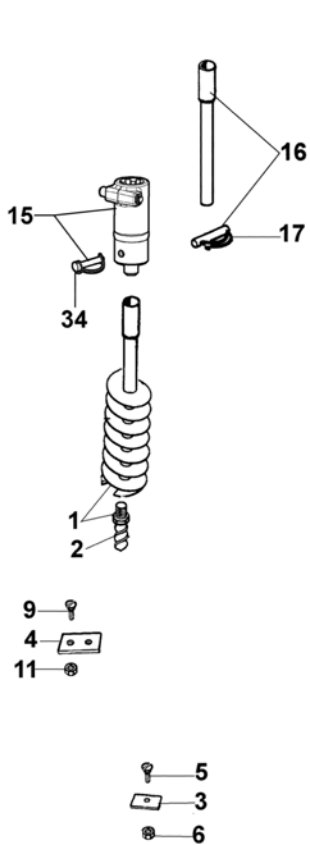
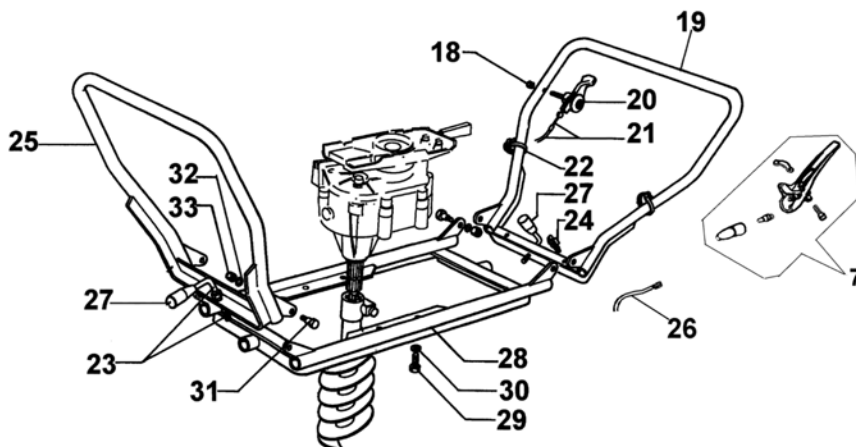
## TR 1585 R Earth auger - Engine assy



Ref.Nu	Qty	Part number	Description	Validity from	Validity till	Notes	Bulletin
1	1	028200063	Shaft				
2	1	028200010	Seal ring				
3	1	028200331	Cap				
4	1	028200038	Washer				
5	2	3024006	Snap ring				
6	1	53010032	Pin				
7	1	53010028	Cover				
8	1	53010084	Pin and rod				
9	1	53010031A	Lever				
10	1	53010034	Spring				
11	1	3033002	Ball				
12	1	3046020	Knob				
13	1	3914003R	Nut				
14	1	3918005	Washer				
15	1	3801027R	Screw				
16	1	3833076	Washer				
17	1	3918003	Washer				
18	1	3072014	Washer				
19	1	3801003	Screw				
20	1	3024009R	Ring				
21	1	028200065	Washer				
22	1	028200066	Bearing				
23	1	028200067	Sprocket				
24	1	028200009	Shaft				
25	1	028200013	Sprocket				
26	1	004000423	Washer				
27	1	028200011	Bearing				
28	1	028200021	Bearing				
29	1	3806022	Screw				
30	1	028200025	Plate				
31	1	028200022	Washer				
32	1	028200026	Gear wheel				
33	1	028200027	Gear wheel				
34	1	028200024	Spacer				
35	2	028200023R	Bearing				
36	1	028200034	Seal ring				
37	1	3024025	Ring				
38	1	028200119	Gear wheel				
39	1	028200031	Ring				
40	1	028200020	Bearing				
41	1	028200032	Spacer				
42	1	028200033	Bearing				
43	1	028200014	Washer				
44	1	028200015	Bearing				

Ref.Nu	Qty	Part number	Description	Validity from	Validity till	Notes	Bulletin
45	1	028200016	Spacer				
46	1	028200017	Bearing				
47	1	028200018	Gear wheel				
48	1	028200019	Ring				
49	1	3801010R	Screw				
50	1	028200007R	Gasket				
51	1	53010029	Gear case				
52	1	028200028	Shaft				
53	1	028200037	Cap				
54	1	028200036	Washer				
55	1	3819006R	Washer				
56	1	3801011	Screw				
57	1	53010033	Slide				
58	1	028200039	Screw				
59	1	028200040R	Washer				
60	1	53010066	Clutch drum				
61	1	012000041R	Bearing				
62	1	099900227R	Spring				
63	1	53030017R	Clutch				
64	1	3049014	O-ring				

TR 1585 R Earth auger - Handle assy and drills



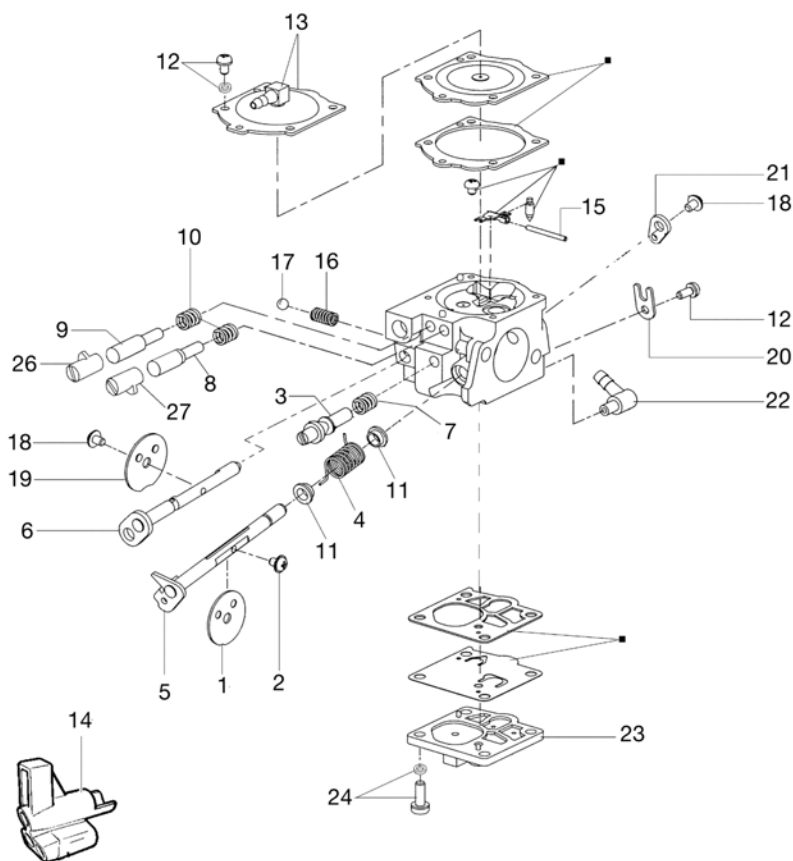
## TR 1585 R Earth auger - Handle assy and drills



Ref.Nu	Qty	Part number	Description	Validity from	Validity till	Notes	Bulletin
1	1	375100028A	Single flute bit Ø8x100 cm				
1	1	375100029A	Single flute bit Ø10x100 cm				
1	1	375100030A	Single flute bit Ø15x100 cm				
1	1	375100031A	Single flute bit Ø20x100 cm				
2	1	375100088A	Cap 10÷50 cm				
2	1	375100090A	Cap 8 cm				
3	1	375100091A	Blade 8 cm				
3	1	375100092AR	Blade cm 10				
4	1	375100093A	Blade cm 15				
4	1	375100094A	Blade cm 20				
5	1	3802007R	Screw				
6	1	320000028	Nut				
7	1	53032012	Throttle lever				
8	1	53030061	Single flute bit Ø25x85 cm				BT6-076-11/10
8	1	53030062	Single flute bit Ø30x85 cm				BT6-076-11/10
8	1	53030063	Single flute bit Ø35x85 cm				BT6-076-11/10
9	2	028000055R	Screw				
10	2	028000067A	Blade cm 25				
10	2	028000068A	Blade cm 30				
10	2	028000069A	Blade cm 35				
10	2	028000078A	Blade cm 40				
10	2	028200255	Blade for bit Ø45				
10	2	028200256	Blade for Ø50 bit				
11	2	006000091	Nut				
12	1	028200252	Double flute bit Ø45x100 cm				
12	1	028200253	Double flute bit Ø50x100 cm				
12	1	028200297	Double flute bit Ø25x100 cm				
12	1	028200298	Double flute bit Ø30x100 cm				
12	1	028200299	Double flute bit Ø35x100 cm				
12	1	028200306	Double flute bit Ø40x100 cm				
13	1	028200289	Extension				BT6-076-11/10
14	1	028200287	Extension				BT6-076-

Ref.Nu	Qty	Part number	Description	Validity from	Validity till	Notes	Bulletin
15	1	028200354	Support+pin kit				11/10 BT6-076- 11/10
16	1	375100115	Extension + cotter pin				
17	1	3033139	Pin				BT6-076- 11/10
18	1	3914006R	Nut				
19	1	53010007	Handle				
20	1	365100024	Throttle lever				
21	1	53030019	Throttle cable				
22	1	072700237	Band				
23	1	53010010	Screw				
24	1	3044103	Band				
25	1	53010009	Handle				
26	1	53030023	Cable				
27	2	3046021R	Knob				
28	1	53010055A	Support				
29	4	3806094R	Screw				
30	4	3819014R	Grower				
31	4	53010013	Pin				
32	2	3916008R	Washer				
33	2	3914010R	Nut				
34	1	3033141	Pin				BT6-076- 11/10

TR 1585 R Earth auger - Carburetor



■ 25 Kit riparazione / Repair kit

## TR 1585 R Earth auger - Carburetor



Ref.Nu	Qty	Part number	Description	Validity from	Validity till	Notes	Bulletin
1	1	028400110	Shutter				
2	1	097000162	Screw				
3	1	097000162	Screw				
4	1	097000161	Spring				
5	1	097000154	Shaft				
6	1	097000155	Shaft				
7	1	2318763	Spring				
8	1	2318772	Screw L				
9	1	2318773	Screw H				
10	1	097000223	Spring				
11	2	097000224	Bushing				
12	5	035000162	Screw				
13	1	097000156	Cover				
14	1	097000323A	Screw guide				
15	1	035000169	Fulcrum pin				
16	1	035000164	Spring				
17	1	006000325	Ball				
18	1	50010141	Screw				
19	1	035000151	Shutter				
20	1	035000149	Plate				
21	1	097000160	Lever				
22	1	003300036	Fittings				
23	1	097000157	Cover				
24	4	035000161	Screw				
25	1	2318672	Repair kit				
26	1	2318695	Cap				
27	1	2318694	Cap				