



www.stiga.com

Illustrated Parts List

for model:

ST 5266 PB TRACK

18-2872-11

- Use GLOBAL GARDEN PRODUCT genuine spare parts specified in the parts list for repair and/or replacement.
- Then contents described in the parts list may change due to improvement.
- The drawings of the spare part are only indicative and might not represent the part in question exactly.
- The indications "right" - "left" - "front" - "rear" refer to the position of the operator when using the machine.
- When placing orders of parts for repair and/or replacement, make sure that the illustrated parts list is the one applying to the machine's year of manufacture, as shown on the identification plate attached to the machine.

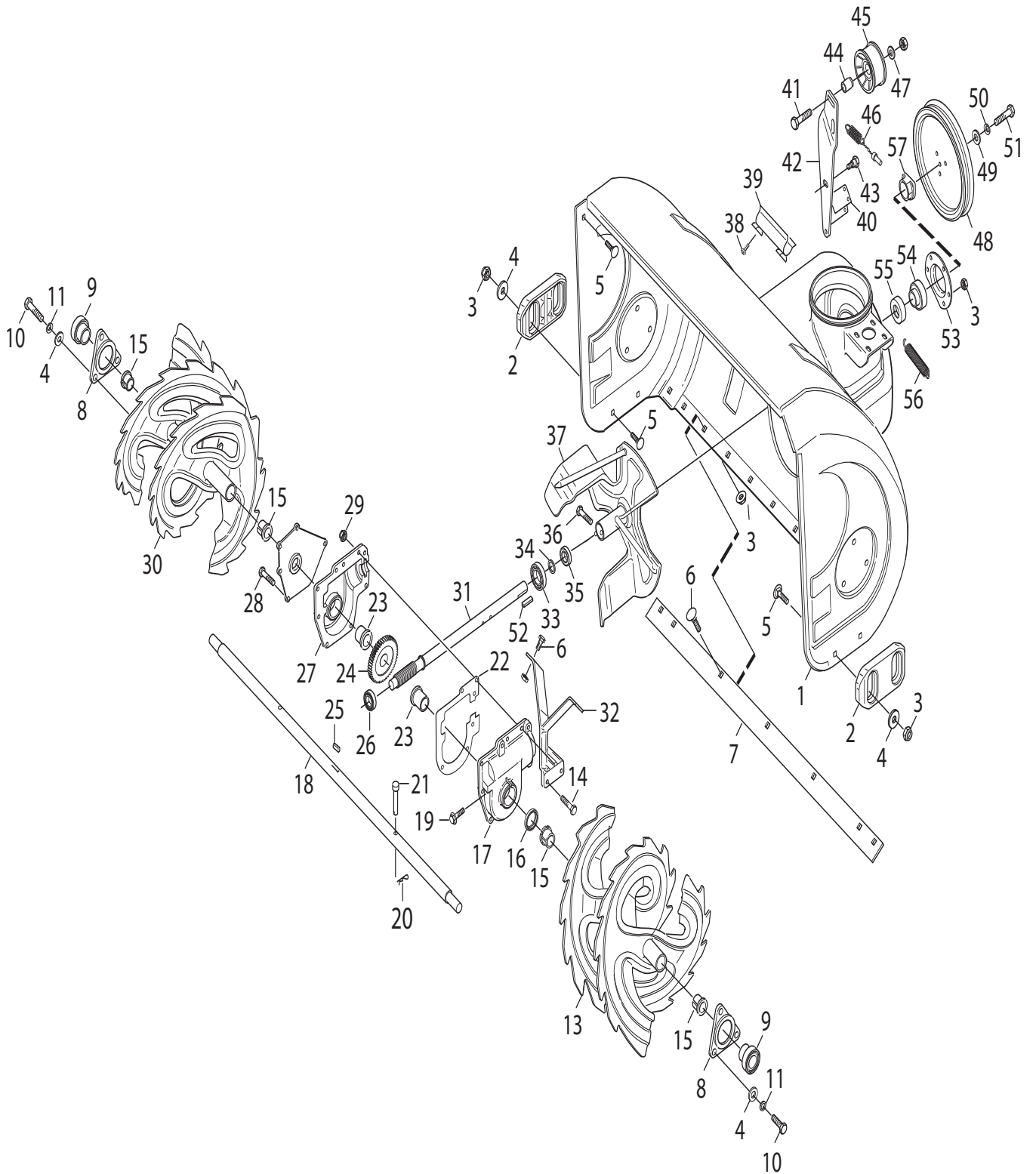
© Copyright 2014 Global Garden Products

All content is subject to copyright by Global Garden Products and may not be reproduced in whole or in part by any means, electronic or otherwise, without prior written approval.

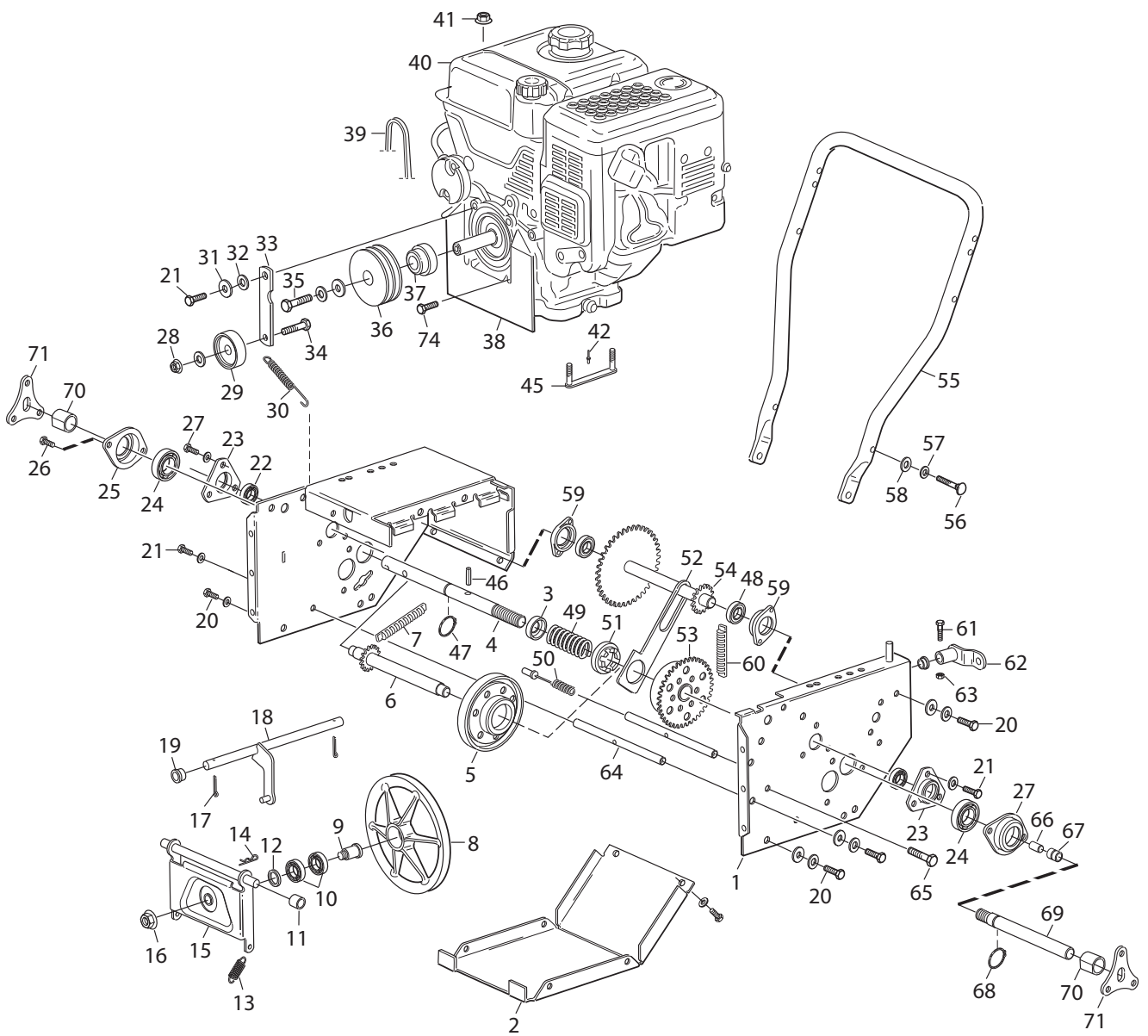
THIS INFORMATION IS NOT INTENDED FOR SALE OR RESALE, AND THIS NOTICE MUST REMAIN ON ALL COPIES.

www.ggp-group.com

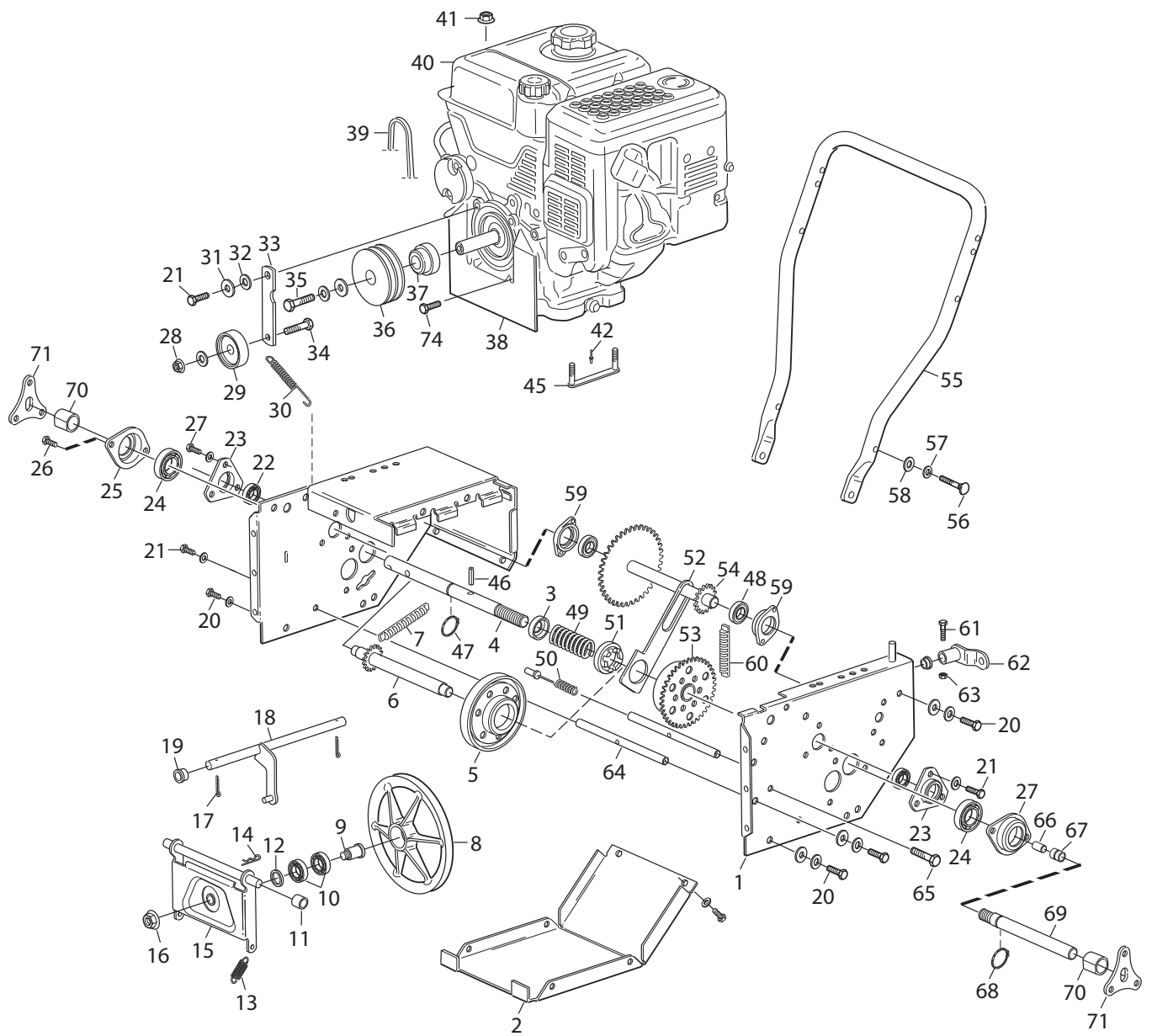




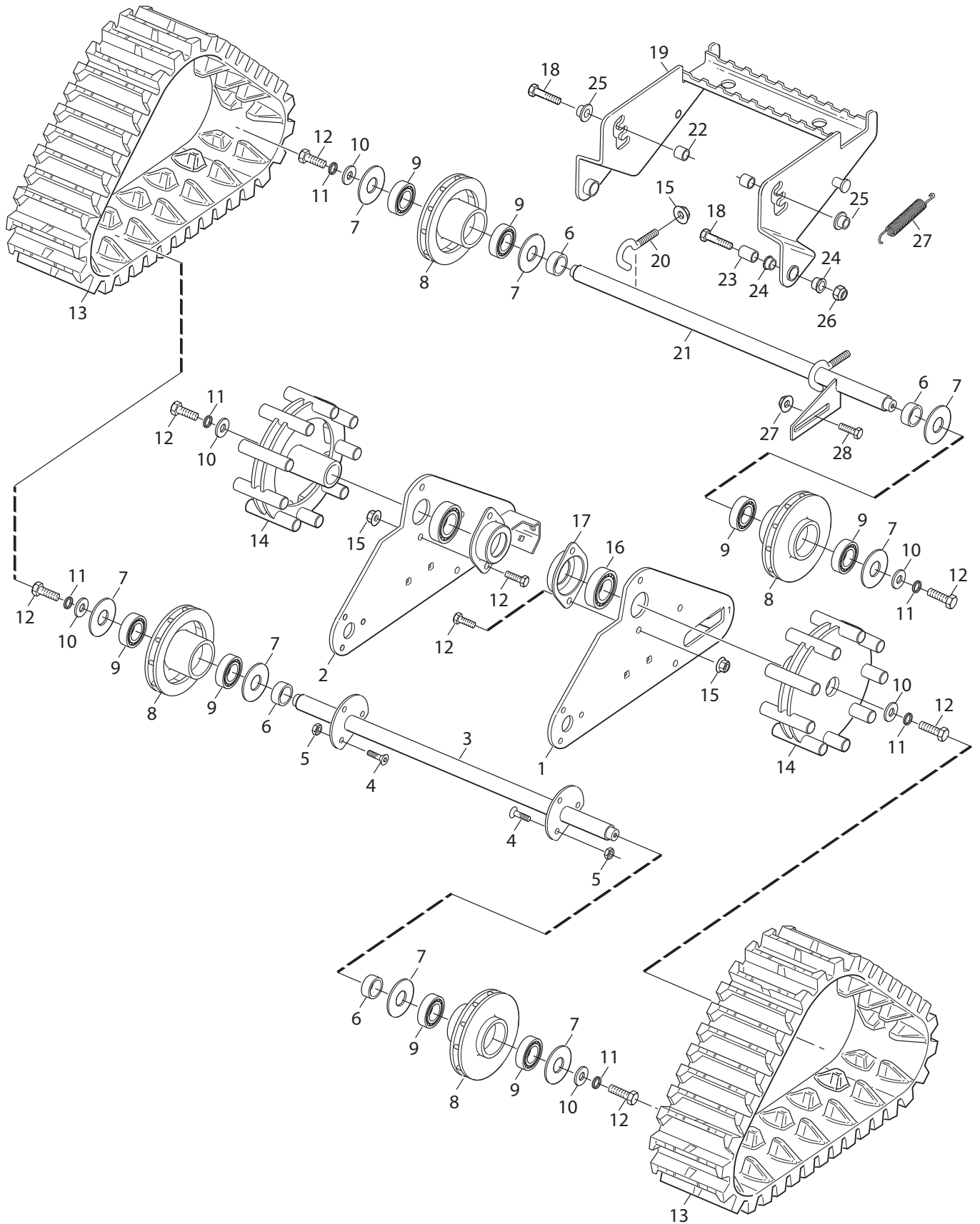
Utgåva Issue		Bildnr Picture No		ST 5266 PB TRAC INMATNINGSHUS AUGER HAUSING			Sida Page		
2014-11		2905					2		
Pos. Fig.	Antal/Quantity				Art nr Part No	Benämning	Description	Sats Kit	Anmärkning Notes
1	1			1811-2987-01	Inmatningshus.....	Auger housing			
2	2			1811-3046-01	Släpsko	Slid shoe			
3	16			9747-0831-02	Mutter	Nut			
4	10			9699-0056-02	Bricka	Washer			
5	8			9897-0820-16	Skruv	Screw			
6	8			9897-0818-16	Skruv	Screw			
7	1			1811-2988-01	Skrapskär	Scraper blade			
8	2			1811-3049-01	Lagerhus	Bearing housing			
9	2			1811-3050-01	Lager	Bearing			
10	6			9997-0820-16	Skruv	Screw			
11	6			9695-0002-00	Fjäderbricka	Spring washer			
13	1			1811-2983-01	Snöskruv-vä.....	Auger -LH			
14	2			9997-0625-16	Skruv	Screw			
15	4			1811-3051-01	Bussning	Bushing			
16	2			1811-3143-01	Tätning	Sealing			
17	1			1811-3106-01	Snäckväxelhus-vä.....	Worm gear housing-LH			
18	1			1811-2989-01	Utgående axel	Out put shaft			
19	1			9739-1031-22	Mutter	Mutter			
20	2			1811-3080-01	Saxsprint	Pinchock			
21	2			1811-2986-01	Brytbult	Shear bolt			
22	1			1811-3107-01	Packning	Sealing			
23	2			1811-3052-01	Hylsa utgående axel.....	Out put shaft sleeve			
24	1			1811-3108-01	Snäckväxel	Worm gear			
25	1			1811-3144-01	Kil	Key			
26	1			1811-3145-01	Kullager	Ball bearing			
27	1			1811-3083-01	Snäckväxelhus-hö.....	Worm gear housing-RH			
28	7			9997-0625-01	Skruv	Screw			
29	5			9747-0631-02	Mutter	Nut			
30	1			1811-2984-01	Snöskruv-hö.....	Auger-RH			
31	1			1811-3101-01	Axel	Worm shaft			
32	1			1811-3100-01	Stagfäste	Strut plate			
33	1			1811-3146-01	Kullager	Ball bearing			
34	1			1811-3109-01	Axelbussning	Shaft sleeve			
35	1			1811-3147-01	Kullager	Ball bearing			
36	2			9997-0835-16	Skruv	Screw			
37	1			1811-2990-01	Fläkt	Fan			
38	2			1811-3148-01	Skruv	Screw			
39	1			1811-3053-01	Verktygsfäste	Tool bracket			
40	1			1811-3110-01	Bromsplatta	Braking plate			
41	1			9897-0840-16	Skruv	Screw			
42	1			1811-3102-01	Fäste	Skruv			
43	1			1811-3104-01	Skruv	Screw			
44	1			1811-3055-01	Bussning	Bushing			
45	1			1811-3057-01	Spännrulle	Tension pulley			
46	1			1811-3058-01	Reglagevajer	Auger pull wire			
47	1			1811-3056-01	Fäste	Pad			
48	1			1811-3103-01	Remskiva	Belt pulley			
49	1			9699-0109-01	Bricka	Washer			
50	1			9685-0010-02	Fjäderbricka	Spring washer			
51	1			9997-1025-16	Skruv	Screw			
52	1			1811-3149-01	Kil	Key			
53	1			1811-3054-01	Kåpa	Cover			
54	1			1811-3134-01	Kullager	Ball bearing			
55	1			1811-3081-01	Axelbussning	Shaft sleeve			
56	1			1811-3063-01	Fjäder	Spring			
57	1			1811-3159-01	Axel	Shaft			



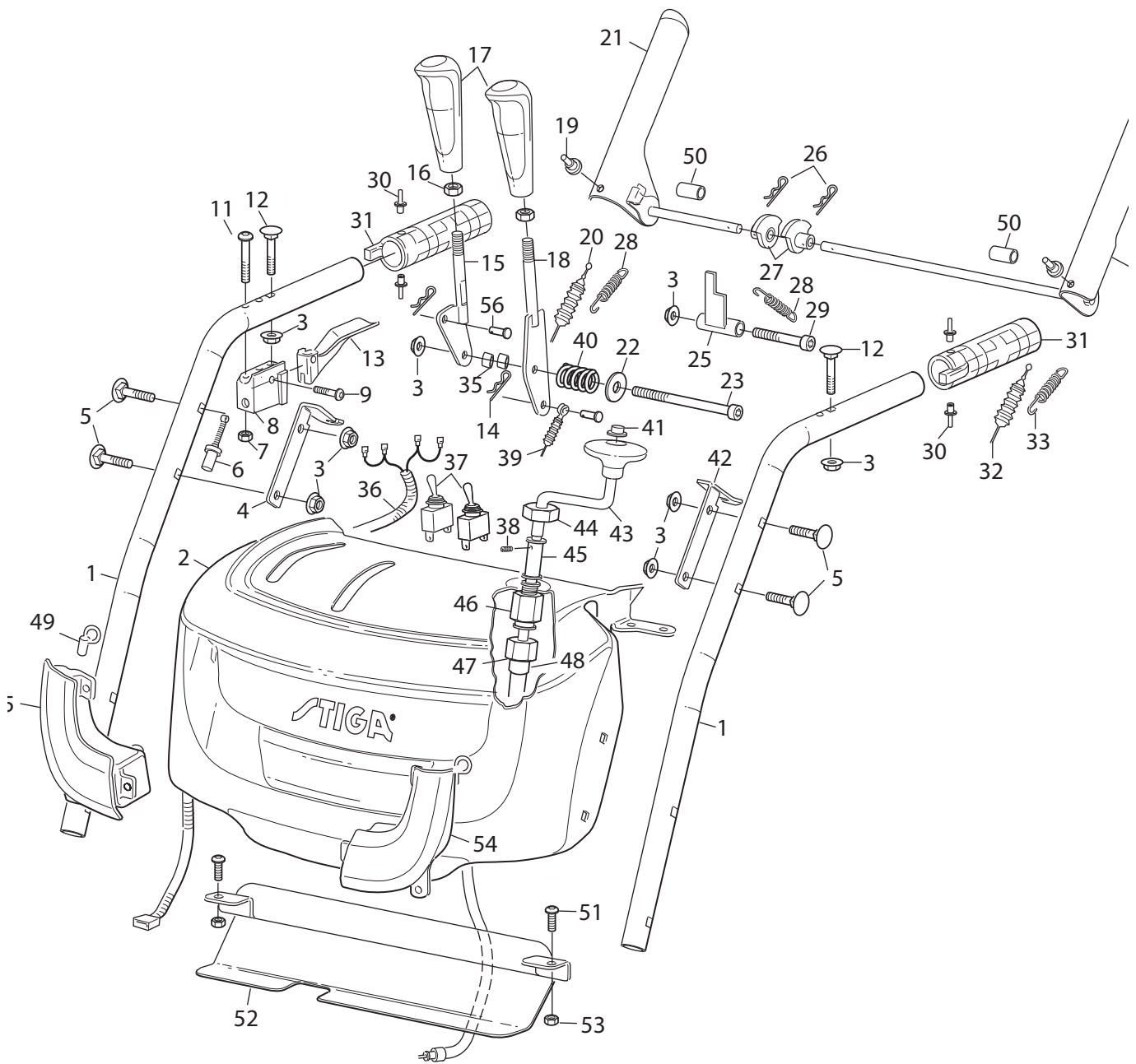
Utgåva Issue 2014-11	Bildnr Picture No 2906	ST 5266 PB TRAC MOTOR RAM TRANSMISSION		ENGINE FRAME TRANSMISSION		Sida Page 4			
Pos. Fig.	Antal/Quantity				Art nr Part No	Benämning	Description	Sats Kit	Anmärkning Notes
1	1				1811-3001-01	Frame	Ramsida.....		
2	1				1811-3111-01	Båtenplåt.....	Bottom plate.....		
3	1				1811-3002-01	Hylsa.....	Collar.....		
4	1				1811-3003-01	Axel	Shaft		
5	1				1811-3062-01	Spännrulle.....	Pulley		
6	1				1811-3004-01	Axel	Shaft		
7	1				1811-3136-01	Kedjerulle	Chain roller		
8	1				1811-3114-01	Friktionskiva.....	Friction disc		
9	1				1811-3117-01	Axel	Shaft		
10	4				1811-3150-01	Kullager	Ball bearing.....		
11	1				1811-3126-01	Bricka	Washer.....		
12	1				1811-3061-01	Distans	Spacer bush		
13	1				1811-3059-01	Fjäder.....	Spring.....		
14	1				1811-3080-01	Låspinne	Pinchock.....		
15	1				1811-3060-01	Fäste.....	Bracket		
16	1				9747-1031-02	Mutter	Nut.....		
17	2				1811-3151-01	Hårnålssprint.....	Split pin.....		
18	1				1811-3112-01	Gaffel.....	Fork		
19	2				1811-3113-01	Plastbussning	Plastic bushing		
20	16				9997-0612-16	Skruv.....	Screw.....		
21	5				9997-0815-16	Skruv.....	Screw.....		
22	2				1811-3152-01	Kullager	Ball bearing.....		
23	2				1811-3116-01	Lagerhus	Bearing housing		
24	2				1811-3153-01	Kullager	Ball bearing.....		
25	2				1811-3115-01	Lagerhus	Bearing housing		
26	4				9997-0816-16	Skruv.....	Screw.....		
27	1				9997-0820-16	Skruv.....	Screw.....		
28	6				9747-0831-02	Mutter	Nut.....		
29	1				1811-3064-01	Spännrulle.....	Tension pulley		
30	1				1811-3118-01	Fjäder	Spring.....		
31	2				9685-0002-00	Fjäderbricka.....	Spring washer.....		
32	1				1811-3047-01	Spännarmsfäste.....	Bracket		
33	1				1811-3124-01	Spännarm	Tension arm.....		
34	1				9997-0845-16	Skruv.....	Screw.....		
35	1				9997-0835-16	Skruv.....	Screw.....		
36	1				1811-3119-01	Remhjul	Pulley		
37	1				1811-3120-01	Remhjul	Pulley		
38	1				1811-3121-01	Remskydd.....	Belt cover		
39	1				1811-3140-01	Rem.....	Belt.....		
40	1					Motor kpl	Engine assy		B&S 1150 Snow Series
41	4				9747-0831-02	Mutter	Nut.....		
42	2				1811-3155-01	Blindnit.....	Blind rivet		
43	4				9997-0835-16	Skruv.....	Screw.....		
44	2				1811-3155-01	Blindnit.....	Blind rivet		
45	1				1811-3122-01	Dubbelbult.....	Double bult.....		
46	1				1811-3156-01	Spännstift.....	Locating pin		
47	1				1811-3157-01	Spårring	Circlip		
48	1				1811-3065-01	Lager	Bearing		
49	1				1811-3005-01	Fjäder.....	Spring.....		
50	1				1811-3006-01	Kopplingswire	Clutch cable		
51	1				1811-3007-01	Axelkoppling	Auxiliary clutch		
52	1				1811-3008-01	Kopplingsstag	Clutch fork		
53	1				1811-3009-01	Differential	Differential.....		
54	1				1811-3010-01	Axel	Shaft		
55	1				1811-3123-01	Handtag, nedre.....	Handle, lower.....		
56	2				9997-1045-01	Skruv.....	Screw.....		
57	2				9685-0010-02	Fjäderbricka.....	Spring washer.....		
58	2				9699-0035-02	Bricka	Washer.....		
59	2				1811-3011-01	Lagerhus	Bearing housing		
60	1				1811-3137-01	Kedjerulle	Chain roller		
61	1				9997-0630-16	Skruv.....	Screw.....		
62	1				1811-3012-01	Växelkoppling	Gear connector		
63	1				9747-0631-01	Mutter	Nut.....		



Utgåva Issue 2014-11		Bildnr Picture No 2906		ST 5266 PB TRAC MOTOR RAM TRANSMISSION		ENGINE FRAME TRANSMISSION		Sida Page 6	
Pos. Fig.	Antal/Quantity				Art nr Part No	Benämning	Description	Sats Kit	Anmärkning Notes
64	2				1811-3125-01	Stag	Strut		
65	1				9997-0635-16	Skruv	Screw		
66	1				1811-3013-01	Axel	Shaft		
67	3				1811-3139-01	Axelbussning	Shaft sleeve		
68	2				1811-3158-01	Spårring	Spring ring		
69	1				1811-3014-01	Axel	Shaft		
70	2				1811-3015-01	Bussning	Bushing		
71	2				1811-3016-01	Fäste	Bracket		
72	1				1811-3017-01	Kedjspännare	Chain tensioner		Not illustrated
73	1				1811-3018-01	Kedjehjul	Sprocket		Not illustrated
74	2				9997-0810-12	Skruv	Screw		

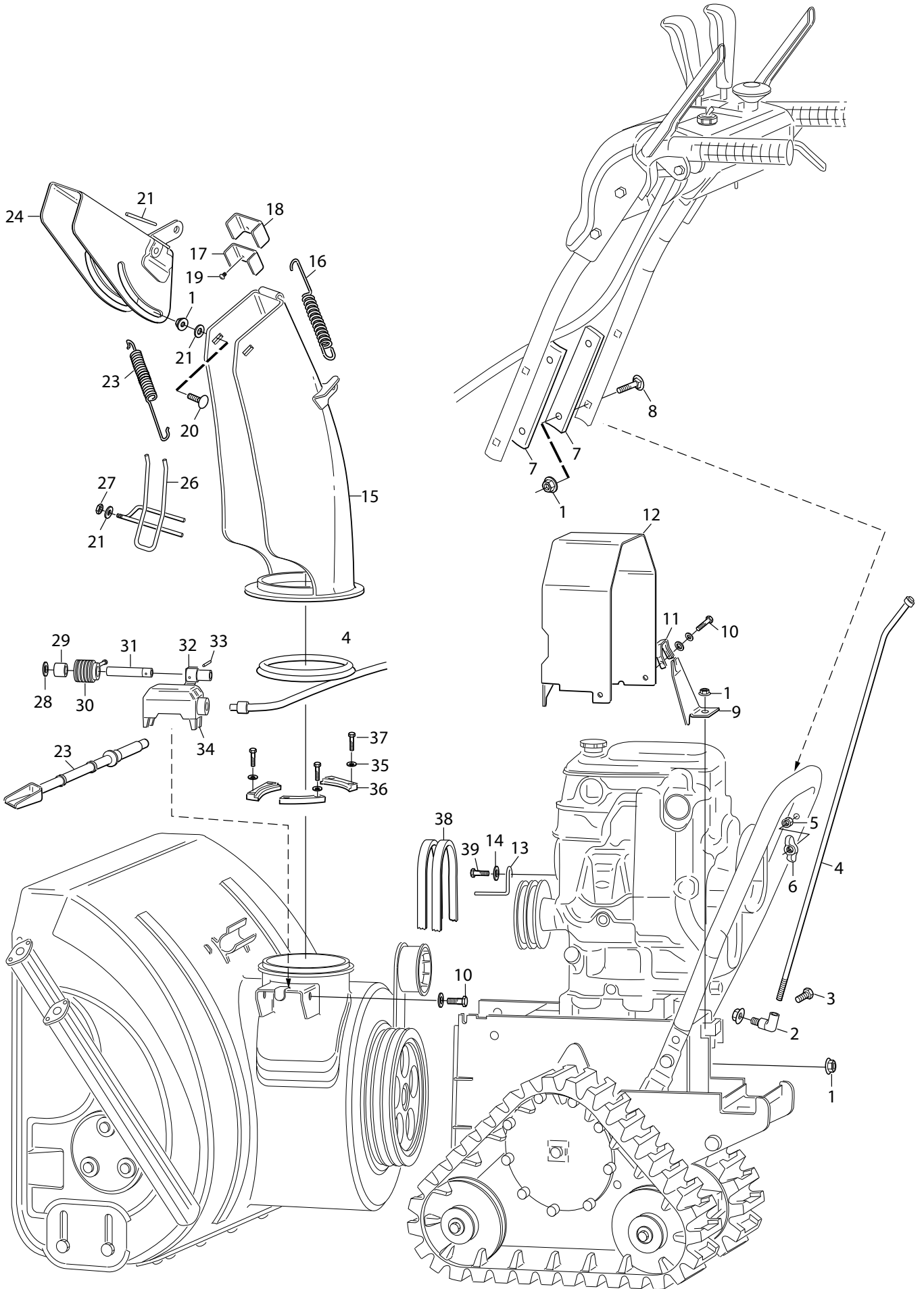


Utgåva Issue		Bildnr Picture No		ST 5266 PB TRAC TRAC			TRAC		Sida Page	
2014-11		2907							8	
Pos. Fig.	Antal/Quantity				Art nr Part No	Benämning	Description	Sats Kit	Anmärkning Notes	
1	1				1811-3086-01	Fäste-vä.....	Bracket-LH			
2	1				1811-3087-01	Fäste-hö	Bracket-RH			
3	1				1811-3088-01	Axel, TRAC.....	Shaft, TRAC			
4	6				9897-0615-16	Skruv.....	Screw.....			
5	7				9747-0631-02	Mutter	Nut.....			
6	4				1811-3089-01	Axelbussning	Shaft bushing			
7	8				1811-3090-01	Bricka	Washer.....			
8	4				1811-3091-01	Rulle, TRAC.....	Ider pulley			
9	8				1811-3141-01	Kullager	Ball bearing			
10	6				9699-0056-02	Bricka	Washer.....			
11	6				9699-0002-02	Fjäderbricka.....	Spring washer.....			
12	10				9997-0816-16	Skruv.....	Skruv			
13	2				1811-3135-01	TRACI	TRAC			
14	2				1811-3092-01	Remskiva, TRAC	Pulley, TRAC.....			
15	10				9739-0831-22	Mutter	Nut.....			
16	2				1811-3142-01	Kullager	Ball bearing			
17	2				1811-3115-01	Lagerhus	Bearing housing			
18	2				9997-1040-16	Skruv.....	Skruv			
19	1				1811-3082-01	Ram.....	Frame			
20	2				1811-3093-01	Krok.....	Hook.....			
21	1				1811-3094-01	Axel, TRAC-bakre	Shaft, TRAC-rear.....			
22	2				1811-3098-01	Bussning	Bushing			
23	2				1811-3095-01	Bussning	Bushing			
24	4				1811-3084-01	Plastbussning	Plastic bushing			
25	6				1811-3096-01	Fäste.....	Pad.....			
26	2				9739-1031-22	Mutter	Nut.....			
27	2				1811-3097-01	Fjäder	Spring			
28	2				9997-0820-16	Skruv.....	Skruv			



Utgåva Issue 2014-11	Bildnr Picture No 2908	ST 5266 PB TRAC STYRE				HANDLE	Sida Page 10		
Pos. Fig.	Antal/Quantity				Art nr Part No	Benämning	Description	Sats Kit	Anmärkning Notes
1	2				1811-3019-01	Styre, övre.....	Handle, upper.....		
2	1				1811-3020-01	Panel.....	Cover.....		
3	7				1811-0831-02	Mutter.....	Nut.....		
4	1				1811-3021-01	Vajerfäste.....	Bracket.....		
5	4				9897-0840-12	Skruv.....	Screw.....		
6	1				1811-3006-01	Kopplingsvajer.....	Clutch wire.....		
7	1				9747-0631-02	Mutter.....	Nut.....		
8	1				1811-3022-01	Handtagsfäste.....	Bracket, handle.....		
9	1				1811-3023-01	Bult.....	Bolt.....		
10	2				9997-0530-16	Skruv.....	Screw.....		
11	2				9898-0530-16	Skruv.....	Screw.....		
12	2				9897-0530-12	Skruv.....	Screw.....		
13	2				1811-3024-01	Kopplingshandtag.....	Clutch handle.....		
14	2				1811-3080-01	Låspinne.....	Locking pin.....		
15	1				1811-3025-01	Växelhandtag.....	Gear handle bar.....		
16	2				9799-1031-02	Mutter.....	Nut.....		
17	2				1811-3026-01	Knopp.....	Gear handle cover.....		
18	1				1811-3027-01	Spak.....	Kopplingsspak.....		
19	2				1811-3070-01	Gummibussning.....	Rubber pad.....		
20	1				1811-3129-01	Reglagevajer.....	Pull wire.....		
21	1				1811-3028-01	Handtag, hö.....	Handle, RH.....		
22	1				9699-0056-01	Mutter.....	Nut.....		
23	1				9898-0812-02	Skruv.....	Screw.....		
24	1				9739-0831-22	Mutter.....	Nut.....		
25	1				1811-3068-01	Stop.....	Stopper.....		
26	2				1811-3073-01	Låspinne.....	Locking pin.....		
27	2				1811-3069-01	Kam.....	Cam.....		
28	2				1811-3067-01	Fjäder.....	Spring.....		
29	1				9898-0860-12	Skruv.....	Screw.....		
30	4				1811-3154-01	Blindnit.....	Blind rivet.....		
31	2				1811-3099-01	Värmehandtag.....	Heated handle.....		
32	1				1811-3105-01	Reglagevajer.....	Wire, auger.....		
33	1				1811-3071-01	Fjäder.....	Spring.....		
34	1				1811-3029-01	Handtag, vä.....	Handle, LH.....		
35	2				1811-3048-01	Bussning.....	Bushing.....		
36	1				1811-3030-01	Kablage.....	Harness.....		
37	2				1811-2985-01	Brytare.....	Switch.....		
38	1				1811-3159-01	Spännstift.....	Pin.....		
39	1				1811-3072-01	Reglagevajer.....	Control wire.....		
40	1				1811-3066-01	Fjäder.....	Spring.....		
41	1				1811-3132-01	Mutterhat.....	Nut cap.....		
42	1				1811-3031-01	Vajerfäste, vä.....	Bracket, LH.....		
43	1				1811-3052-01	Handtag.....	Handle.....		
44	1				1811-3034-01	Spak.....	Rod.....		
45	1				1811-3035-01	Fäste.....	Bracket.....		
46	1				1811-3039-01	Anslutning, övre.....	Connector, upper.....		
47	1				1811-3037-01	Fäste.....	Bracket.....		
48	1				1811-3036-01	Flexibel axel.....	Flexible shaft.....		
49	6				9898-0812-16	Skruv.....	Screw.....		
50	2				1811-3038-01	Bussning.....	Bushing.....		
51	2				9898-0612-16	Skruv.....	Screw.....		
52	1				1811-3033-01	Kåpa.....	Cover.....		
53	2				9747-0831-02	Mutter.....	Nut.....		
54	1				1811-3040-01	LED ljus, vä.....	LED light, LH.....		
55	1				1811-3041-01	LED ljus, hö.....	LED light, RH.....		
56	2				1811-3163-01	Låspinne.....	Locking pin.....		

M8



Utgåva Issue 2014-11		Bildnr Picture No 2909		ST 5266 PB TRAC UTKAST CHUTE			Sida Page 12		
Pos. Fig.	Antal/Quantity				Art nr Part No	Benämning	Description	Sats Kit	Anmärkning Notes
1	9				9739-0831-02	Mutter	Nu.....		t
2	1				1811-3074-01	Vinkellänk.....	Elbow link.....		
3	1				1811-3159-01	Bult	Bolt.....		
4	1				1811-3042-01	Växelstag	Gear rod		
5	4				1811-3160-01	Plastmutterhus	Plastic nut housing		
6	4				1811-3161-01	Plastmutter.....	Plastic nut.....		
7	2				1811-3043-01	Fäste.....	Bracket		
8	4				9897-0875-12	Bult	Bolt.....		
9	1				1811-3044-01	Fäste.....	Bracket		
10	5				9997-0612-16	Skruv.....	Screw.....		
11	1				1811-2998-01	Fäste.....	Bracket		
12	1				1811-3130-01	Remskydd.....	Belt cover		
13	1				1811-3131-01	Remskydd.....	Belt cover		
14	1				9699-0056-02	Bricka	Washer.....		
15	1				1811-2981-01	Utkast.....	Chute assemble		
16	1				1811-3076-01	Fjäder.....	Spring		
17	1				1811-2999-01	Platta.....	Plate.....		
18	1				1811-3000-01	Tätningsplatta	Seal plate		
19	3				1811-3162-01	Nit	Rivet.....		
20	2				9897-0816-16	Bult	Bolt.....		
21	3				1811-3079-01	Plastdämpare.....	Plastic pad		
22	1				1811-2991-01	Stift	Pin		
23	1				1811-3072-01	Reglagevajer	Chute pull wire.....		
24	1				1811-2982-01	Utkastskydd	Chute cap		
25	1				1811-3078-01	Snöborttagingsverktyg.....	Snow removal tool		
26	1				1811-2992-01	Utkastskydd	Chute cap		
27	2				1811-3133-01	Snabbmutter.....	Push nut.....		
28	1				1811-3075-01	Mutter	Nut.....		
29	1				1811-2994-01	Hylsa.....	Pad.....		
30	1				1811-3045-01	Damask	Hollow worm		
31	1				1811-2995-01	Axel	Shaft		
32	1				1811-2997-01	Anslutningsstag, undre	Connect rod, under.....		
33	1				1811-3156-01	Spännstift.....	Locating pin		
34	1				1811-2993-01	Aluminiumfäste	Aluminum bracket		
35	6				9695-0001-01	Fjäderbricka.....	Spring washer.....		
36	3				1811-3077-01	Fixeringsfäste	Fixed block.....		
37	6				1811-3163-01	Skruv.....	Screw.....		
38	2				1811-3138-01	Rem	Belt.....		
39	1				9997-0816-16	Skruv.....	Screw.....		