

Genuine Spare Parts

www.stiga.com

SNOW FOX

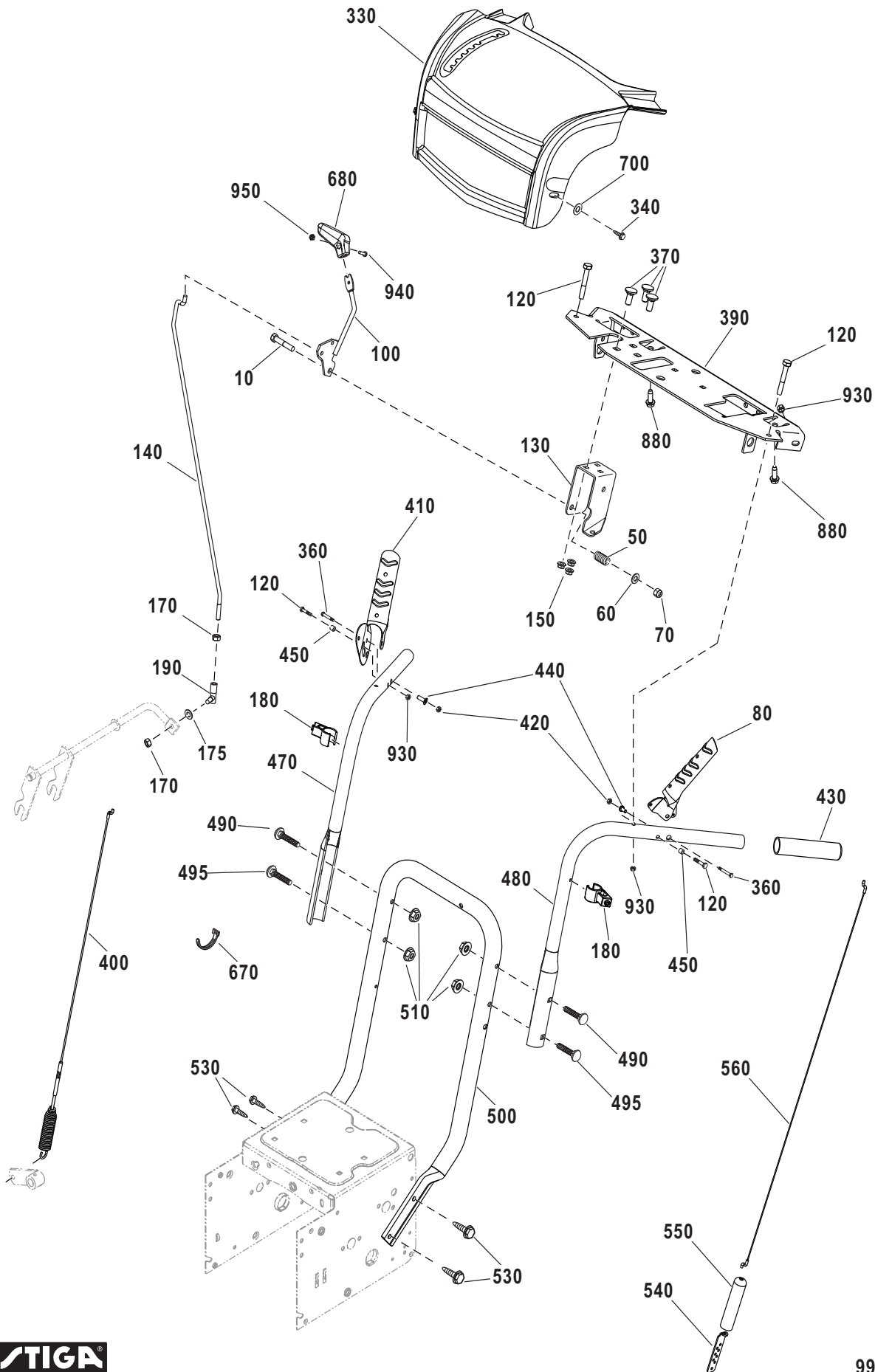
includes:
18-2869-32 Snow Fox

- Use GLOBAL GARDEN PRODUCT Genuine Spare Parts specified in the parts list for repair and/or replacement.
- The contents described in the parts list may change due to improvement.
- The drawings of the spare parts are only indicative and might not represent the part in question exactly.
- The indications "right" - "left" - "front" - "rear" refer to the position of the operator when using the machine.
- When placing orders of parts for repair and/or replacement, make sure that the illustrated parts list is the one applying to the machine's year of manufacture, as shown on the identification plate attached to the machine.

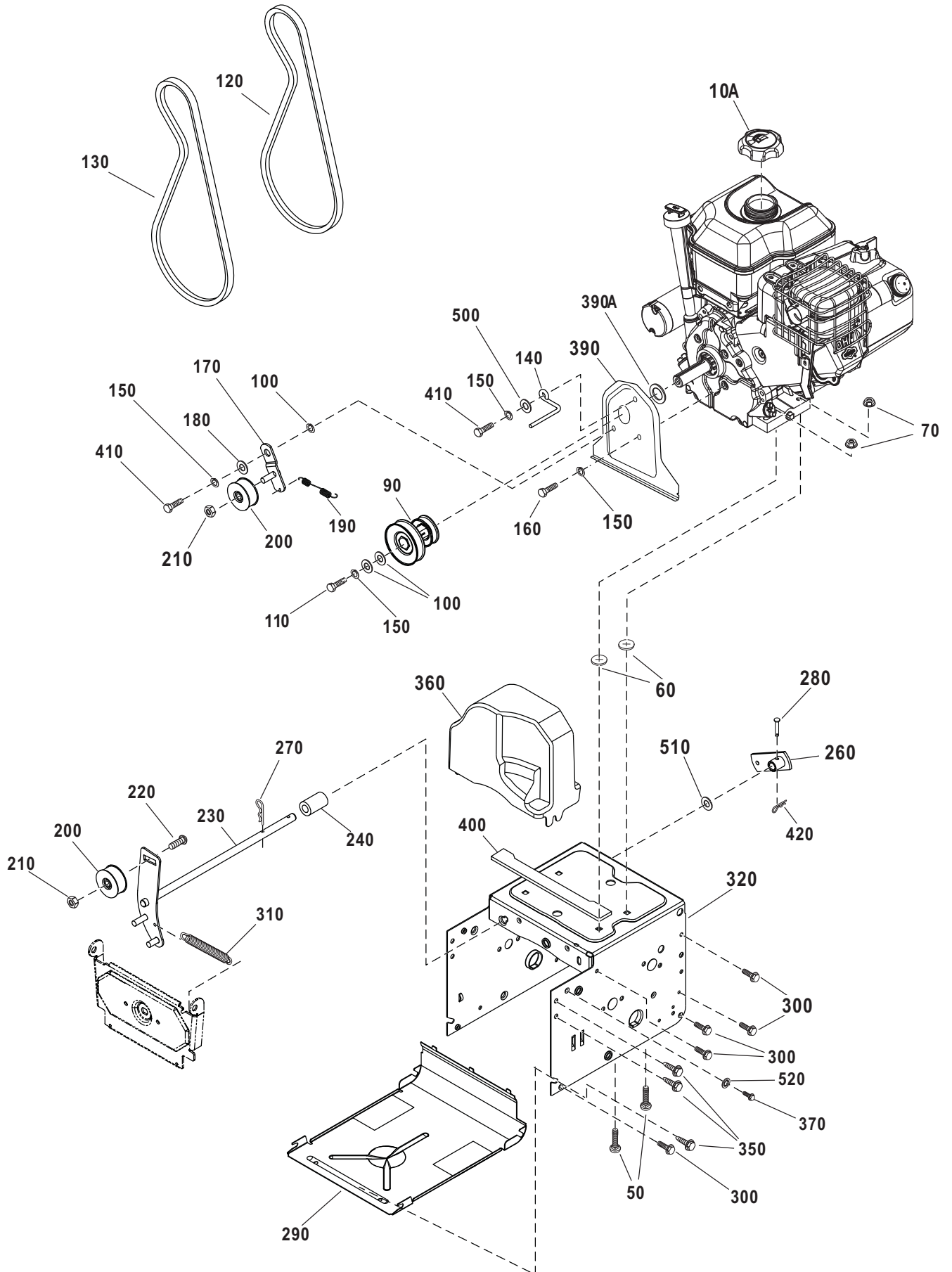
COPYRIGHT by GLOBAL GARDEN PRODUCTS

All rights reserved. No part of this material may be reproduced or transmitted, in any form or by any means, electronic or mechanical, including photocopying, recording or by any information storage and retrieval system, without permission in writing from GLOBAL GARDEN PRODUCTS.

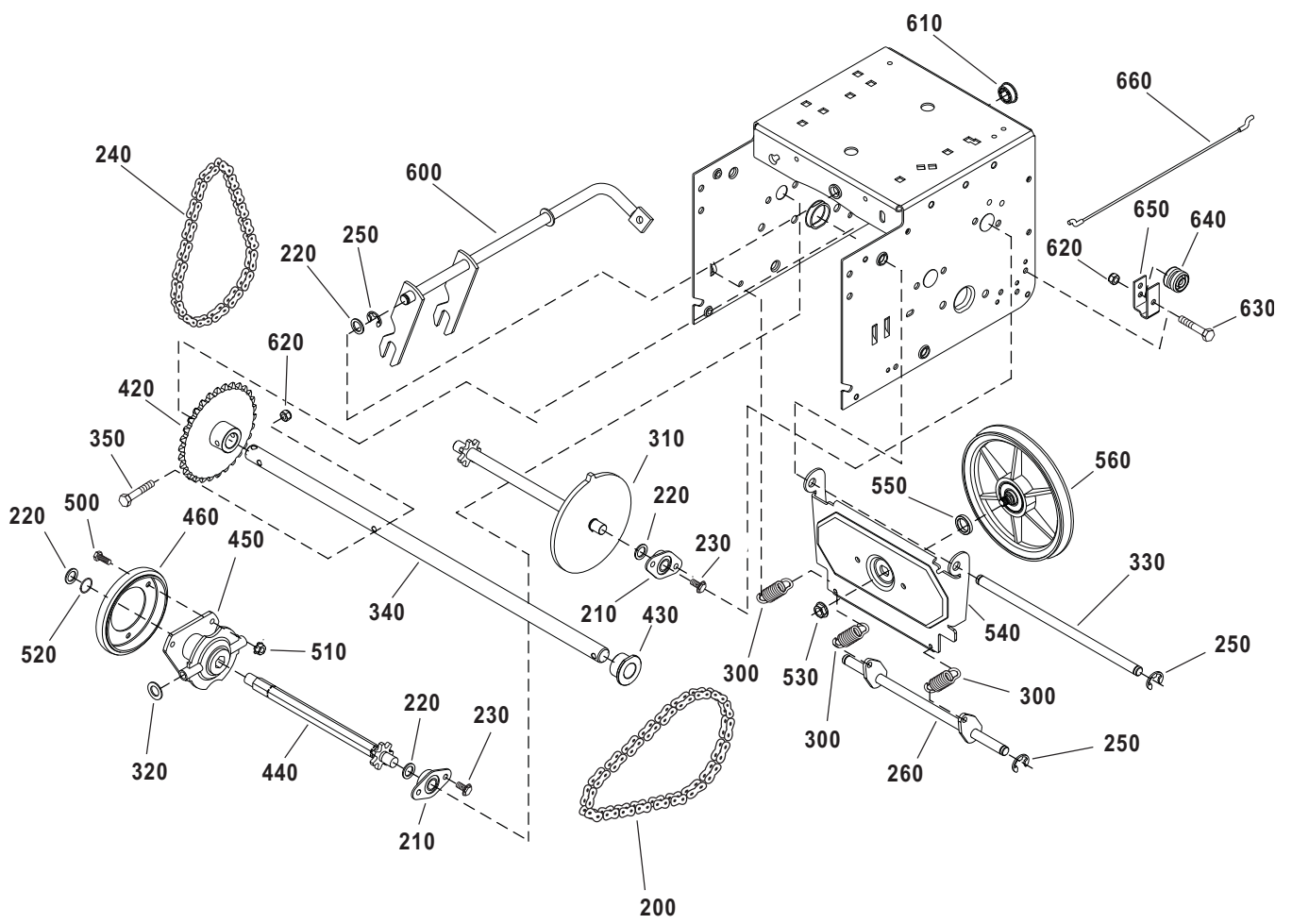




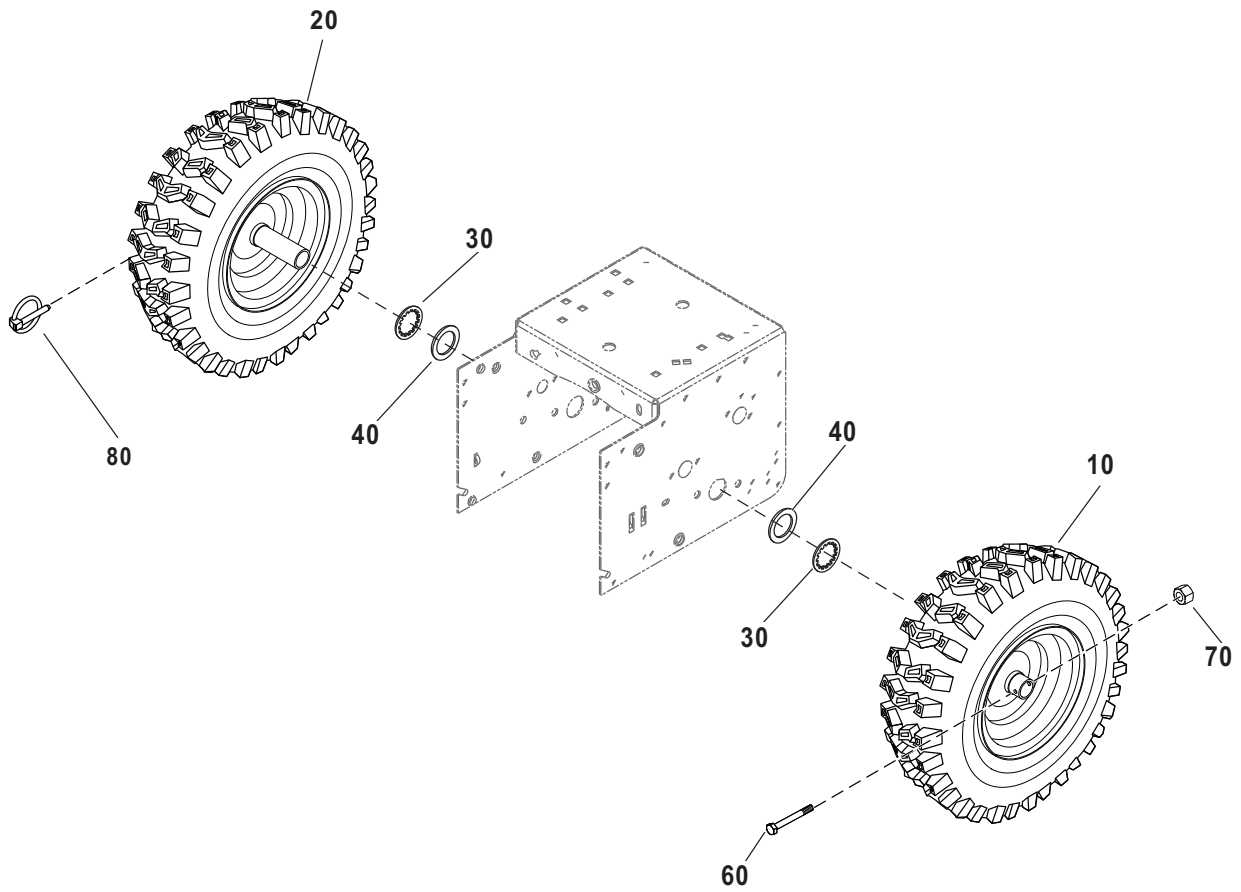
Utgåva Issue		Bildnr Picture No		SNOW FOX STYRE REGLAGE		SNOW FOX HANDLE CONTROLS		Sida Page	
2013-11		2838						2	
Pos. Fig.	Antal/Quantity				Art nr Part No	Benämning	Description	Sats Kit	Anmärkning Notes
	2869								
10	1			9988-3751-12	Skruv.....	Screw.....			
50	1			1812-3012-01	Fjäder.....	Spring.....			
60	1			9699-0029-02	Planbricka.....	Flat washer.....			
70	1			9743-3721-32	Mutter.....	Nut.....			
80	1			1812-2605-01	Koppl.reglage-vä.....	Clutch lever-LH.....			
100	1			1812-2511-01	Regl.spak-hastighet.....	Speed lever.....			
120	4			9988-3545-12	Skruv.....	Screw.....			
130	1			1812-2417-01	Fäste.....	Controls brkt.....			
140	1			1812-2751-01	Reglagestång.....	Rod, speed control.....			
150	3			9727-3641-22	Mutter.....	Nut.....			
170	2			9794-5131-02	Mutter.....	Nut.....			
175	1			9683-0030-02	Fjäderbricka.....	Spring washer.....			
180	2			1812-2738-01	Monteringsfäste.....	Bracket, mounting.....			
190	1			1812-2562-01	Kulled.....	Ball joint.....			
330	1			1812-3086-01	Panel.....	Dash.....			
340	2			1812-2257-01	Skruv.....	Screw.....			
360	2			1812-2623-01	Ansatsbult.....	Shoulder bolt.....			
370	4			9899-3625-16	Skruv.....	Screw.....			
390	1			1812-2575-01	Panelfäste.....	Dash support.....			
400	1			1812-2542-01	Reglagewire-snöskruv.....	Drive cable-auger.....			
410	1			1812-2606-01	Koppl.reglage-hö.....	Clutch lever-RH.....			
420	2			1812-2256-01	Mutter.....	Nut.....			
430	2			1812-2351-01	Handtag.....	Hand grip.....			
440	2			1812-2412-01	Distans.....	Stepped spacer.....			
450	2			1812-2148-01	Distans.....	Spacer.....			
470	1			1812-2890-01	Styre överdel-hö.....	Handle upper-RH.....			
480	1			1812-2889-01	Styre överdel-vä.....	Handle upper-LH.....			
490	2			1812-2479-01	Vagnsbult.....	Carriage bolt.....		L = 57 mm	
495	2			1812-2476-01	Vagnsbult.....	Carriage bolt.....		L = 45 mm	
500	1			1812-2519-01	Styre-undre.....	Handle-lower.....			
510	4			9743-3621-32	Mutter.....	Nut.....			
530	4			1812-2641-01	Skruv.....	Screw.....			
540	1			1133-0977-01	Wirefäste.....	Cable adjust bracket.....			
550	1			1133-0968-01	Wirehylsa.....	Clutch spring boot.....			
560	1			1812-1729-01	Reglagewire.....	Control cable.....			
670	5			1812-2371-01	Buntband.....	Self lock tie.....			
680	1			1812-2379-01	Knopp.....	Knob.....			
700	2			9699-0026-02	Planbricka.....	Flat washer.....			
880	2			1812-2765-01	Skruv.....	Screw.....			
930	4			9743-3521-32	Mutter.....	Nut.....			
940	1			1812-2481-01	Skruv.....	Screw.....			
950	1			1812-2256-01	Mutter.....	Nut.....			
999					Bruksanvisning.....	Owner's manual.....		Ej ill/not ill. /AS PDF	



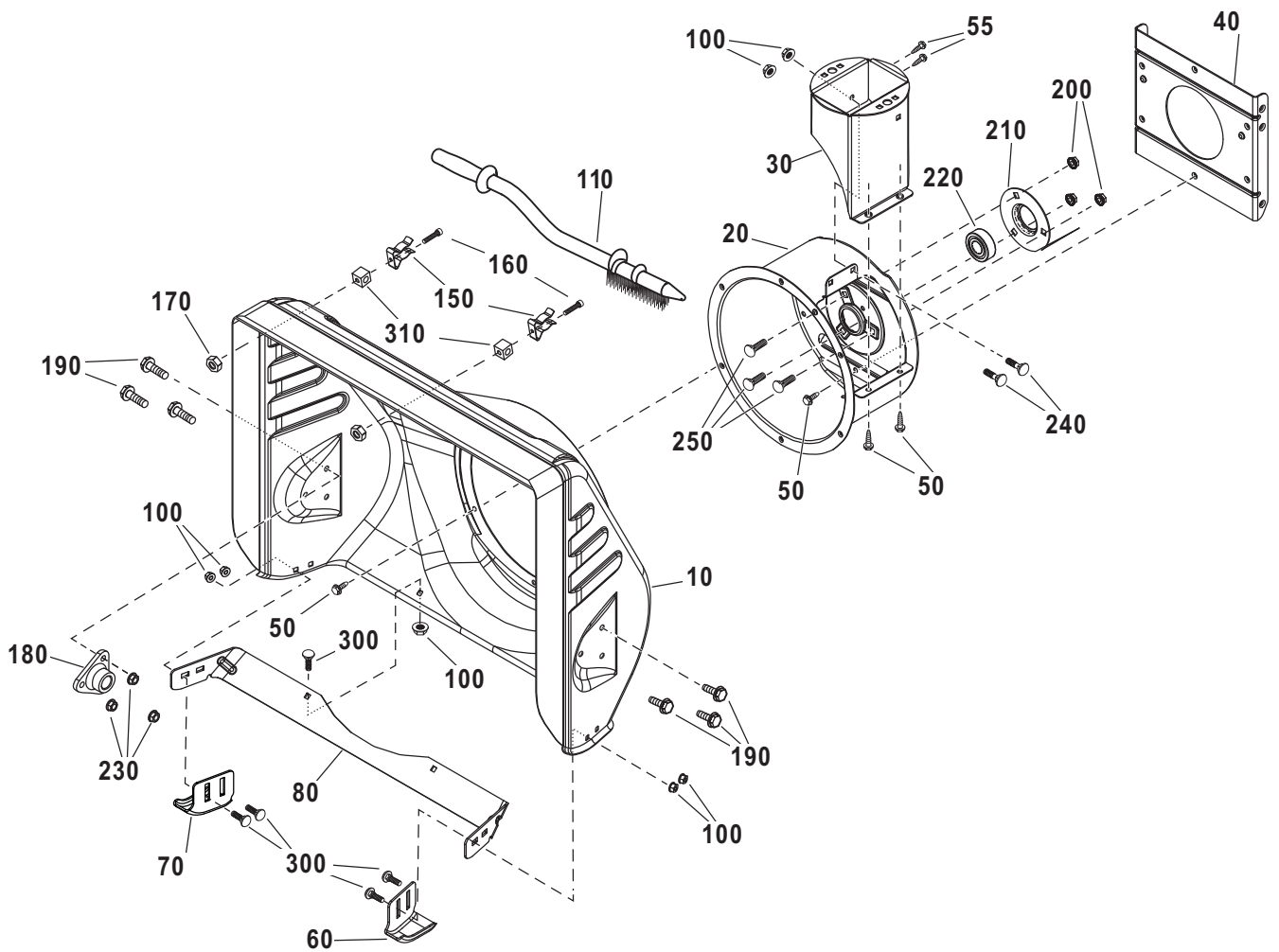
Utgåva Issue		Bildnr Picture No		SNOW FOX RAM MOTOR		SNOW FOX FRAME ENGINE		Sida Page	
2013-11		2839						4	
Pos. Fig.	Antal/Quantity				Art nr Part No	Benämning	Description	Sats Kit	Anmärkning Notes
	2869								
10A	1				795027	Tanklock	Fuel cap		B&S-part
50	4				9899-3638-12	Skruv.....	Screw.....		
60	4				1812-1681-01	Hållare	Retainer		
70	4				9743-3621-32	Mutter	Nut.....		
90	1				1812-1719-01	Motorremskiva	Engine pulley		
100	3				1812-2248-01	Bricka	Washer.....		
110	1				9987-5132-12	Skruv.....	Screw.....		
120	1				1812-2220-01	Kilrem-drivning	Belt-traction drive		
130	1				1812-2784-01	Kilrem-snöskruv	Belt-auger		
140	1				1812-2443-01	Remstyrning	Belt guide		
150	4				9683-0030-02	Låsbricka	Lock washer		
160	1				9987-5119-16	Skruv.....	Screw.....		
170	1				1812-1722-01	Spännrullsfäste	Idler bracket		
180	1				1812-1705-01	Bussning	Bushing		
190	1				1812-1830-01	Fjäder	Ext.idler spring.....		
200	2				1812-2077-01	Spännrulle.....	Tension roller		
210	2				9743-3721-32	Mutter	Nut.....		
220	1				9899-3732-16	Skruv.....	Screw.....		
230	1				1812-2796-01	Spännarm	Auger idler		
240	1				1812-2822-01	Distans	Spacer.....		
260	1				1812-2884-01	Reglagearm.....	Control arm		
270	1				1812-2813-01	Låsnål	Hair pin		
280	1				1812-2407-01	Sprint	Clevis pin		
290	1				1812-2465-01	Bottenplåt	Bottom cover.....		
300	10				1812-2250-01	Skruv.....	Screw.....		
310	1				1812-1676-01	Fjäder.....	Spring		
320	1				1812-3087-01	Ram.....	Frame		
350	6				1812-2141-01	Skruv.....	Screw.....		
360	1				1812-3073-01	Remskydd.....	Belt cover		
370	2				1812-2748-01	Skruv.....	Screw.....		
390	1				1812-2887-01	Regnskydd	Water shield.....		
390A	1				1812-2505-01	Tätning.....	Foam seal		
400	1				1812-2614-01	Tätninglist	Seal strip.....		
410	2				9987-5125-16	Skruv.....	Screw.....		
420	1				1812-2281-01	Låsnål	Cotter pin		
500	1				1812-2657-01	Bricka	Flat washer		
510	1				9699-0038-02	Planbricka	Flat washer		
520	2				9677-0006-02	Bricka	Washer.....		



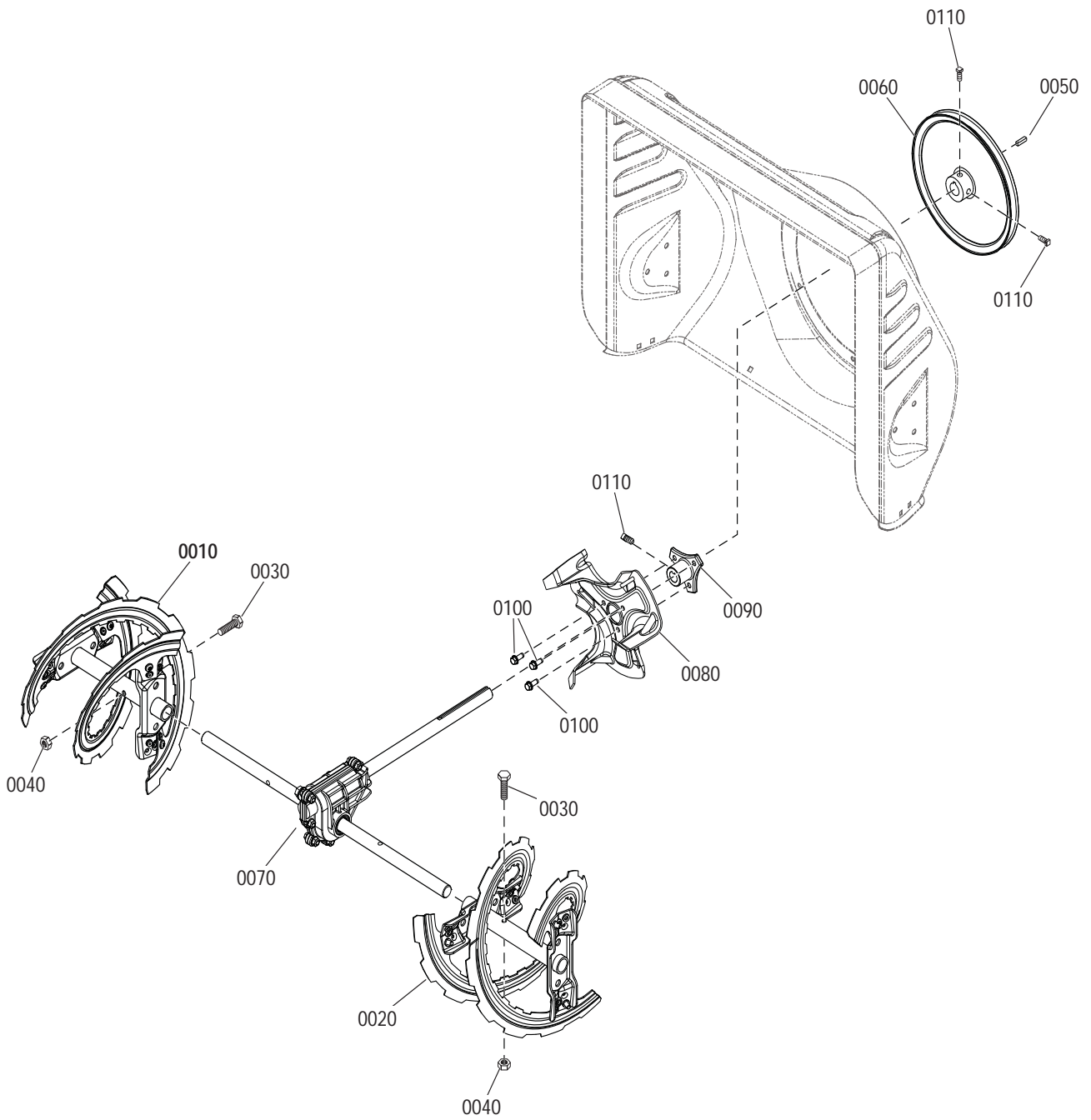
Utgåva Issue		Bildnr Picture No		SNOW FOX DRIVNING		SNOW FOX TRACTION DRIVE		Sida Page	
2013-11		2840						6	
Pos. Fig.	Antal/Quantity				Art nr Part No	Benämning	Description	Sats Kit	Anmärkning Notes
	2869								
200	1			1812-1686-01	Kedja.....	Chain.....			
210	4			1812-1178-01	Glidlager m.hållare.....	Bearing & retainer.....			
220	5			1812-1204-01	Bricka.....	Washer.....			
230	8			1812-2249-01	Skruv.....	Screw.....			
240	1			1812-1688-01	Kedja.....	Chain.....			
250	5			1812-1672-01	Låsring.....	Retainer ring.....			
260	1			1812-2076-01	Fjäderlänkarm.....	Spring link.....			
300	3			1812-2410-01	Fjäder.....	Extension spring.....			
310	1			1812-1751-01	Axel m drev.....	Sprocket set.....			
320	2			9699-0038-02	Planbricka.....	Flat washer.....			
330	1			1812-2820-01	Axel-svängplatta.....	Axle-swing plate.....			
340	1			1812-1862-01	Hjulaxel.....	Axle shaft.....			
350	1			1812-1755-01	Skruv.....	Screw.....			
420	1			1812-1712-01	Kedjedrev.....	Sprocket.....			
430	2			1812-1724-01	Lager.....	Axle bearing.....			
440	1			1812-1750-01	Sexkantsaxel.....	Hex shaft.....			
450	1			1812-2734-01	Nav, friktionshjul.....	Hub, friction wheel.....			
460	1			1812-9028-01	Friktionshjul.....	Friction disc wheel.....			
500	3			9988-3516-16	Skruv.....	Screw.....			
510	3			9795-3531-02	Mutter.....	Nut.....			
520	1			1812-2380-01	Låsring.....	Retext ring.....			
530	1			1812-2824-01	Flänslåsmutter.....	Flange lock nut.....			
540	1			1812-2819-01	Svängplatta.....	Swing plate.....			
550	1			1812-1739-01	Distans.....	Spacer.....			
560	1			1812-1725-01	Friktionsremskiva.....	Friction pulley.....			
600	1			1812-2821-01	Växelarm.....	Yoke rod.....			
610	1			1812-1219-01	Plastbussning.....	Plastic bushing.....			
620	2			9743-3521-32	Mutter.....	Nut.....			
630	1			9988-3538-12	Skruv.....	Screw.....			
640	1			1812-1205-01	Spole.....	Spool.....			
650	1			1812-1702-01	Fäste.....	Bracket.....			
660	1			1812-1727-01	Reglagewire-nedre.....	Drive cable-lower.....			



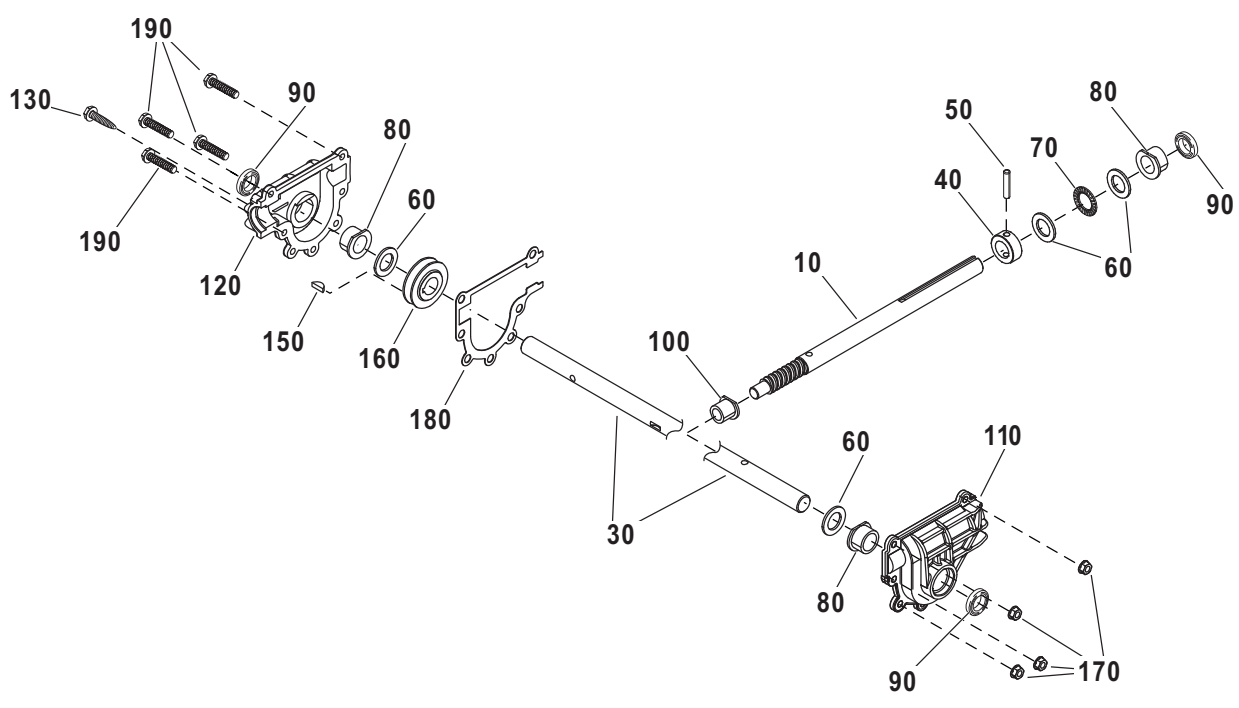
Utgåva Issue 2013-11		Bildnr Picture No 2841		SNOW FOX HJUL		SNOW FOX WHEEL		Sida Page 8	
Pos. Fig.	Antal/Quantity				Art nr Part No	Benämning	Description	Sats Kit	Anmärkning Notes
	2869								
10	1				1812-3055-01	Hjul kpl-vä.....	Wheel & tire assy-LH.....		13 x 5.0
20	1				1812-3056-01	Hjul kpl-hö.....	Wheel & tire assy-RH.....		13 x 5.0
30	2				1812-2139-01	Låsring.....	Retaining ring.....		
40	2				1812-3020-01	Bricka.....	Washer.....		
60	1				1812-1114-01	Bult.....	Bolt.....		
70	1				1812-1760-01	Mutter.....	Nut.....		
80	1				1812-0408-01	Låssprint.....	Clik pin.....		



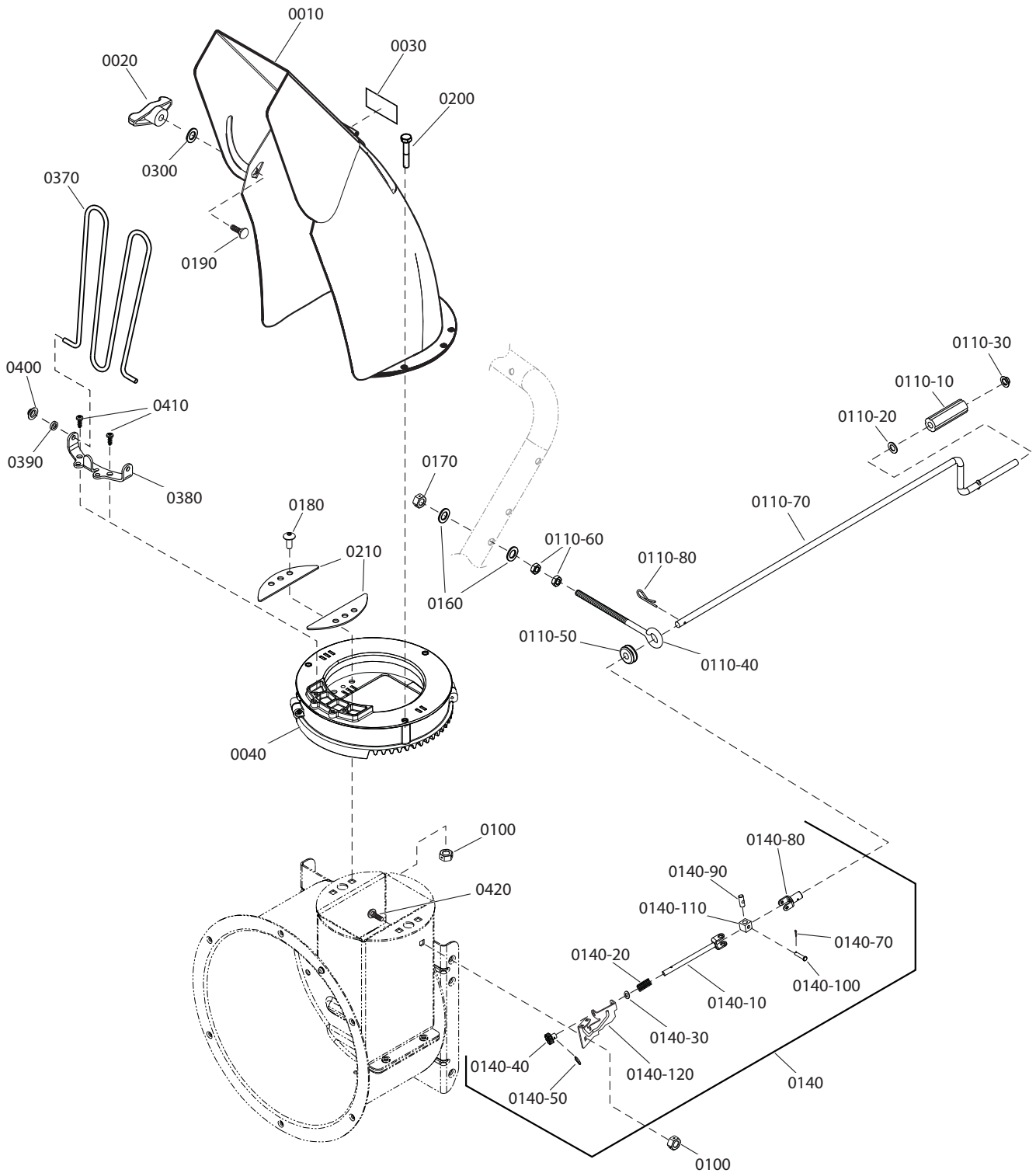
Utgåva Issue		Bildnr Picture No		SNOW FOX INMATNINGSHUS		SNOW FOX AUGER HOUSING		Sida Page	
2013-11		2842						10	
Pos. Fig.	Antal/Quantity				Art nr Part No	Benämning	Description	Sats Kit	Anmärkning Notes
	2869								
10	1				1812-2774-01	Inmatningshus.....	Auger housing		24"
20	1				1812-2778-01	Fläkthus	Impeller housing		
30	1				1812-2789-01	Utkaströr	Chimney		
40	1				1812-2779-01	Fäste, bakre.....	Bracket, rear mount.....		
50	14				1812-2475-01	Skruv.....	Screw.....		
55	2				1812-2619-01	Skruv.....	Screw.....		
60	1				1812-2783-01	Släpsko-vä	Skid shoe-LH		
70	1				1812-2782-01	Släpsko-hö	Skid shoe-RH		
80	1				1812-2785-01	Skrapskär	Scraper bar		
100	8				9743-3521-32	Mutter	Nut.....		
110	1				1812-2400-01	Borste.....	Cleanout brush		
150	2				1812-2413-01	Klämma	Spring clamp		
160	2				1812-2480-01	Skruv.....	Screw.....		
170	2				1812-1912-01	Mutter	Nut.....		
180	2				1812-0878-01	Lager.....	Bearing.....		
190	6				9988-3619-16	Skruv.....	Screw.....		
200	3				9727-3641-22	Mutter	Nut.....		
210	1				1812-2142-01	Lagerhållare.....	Bearing retainer.....		
220	1				1812-2346-01	Lager.....	Greased bearing		
230	6				9743-3621-32	Mutter	Nut.....		
240	2				9899-3516-16	Skruv.....	Screw.....		
250	3				9899-3622-16	Skruv.....	Screw.....		
300	6				1812-2254-01	Vagnsbult.....	Carriage bolt.....		
310	2				1812-1317-01	Ledknut.....	Universal pivot block.....		



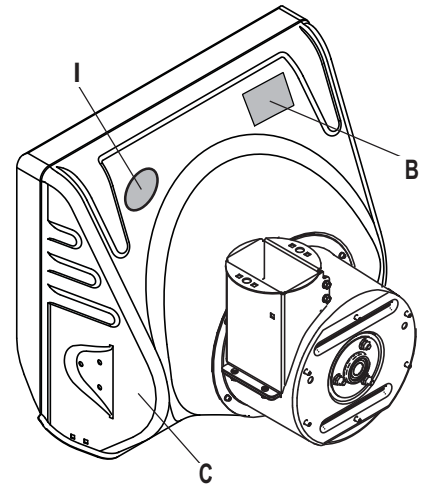
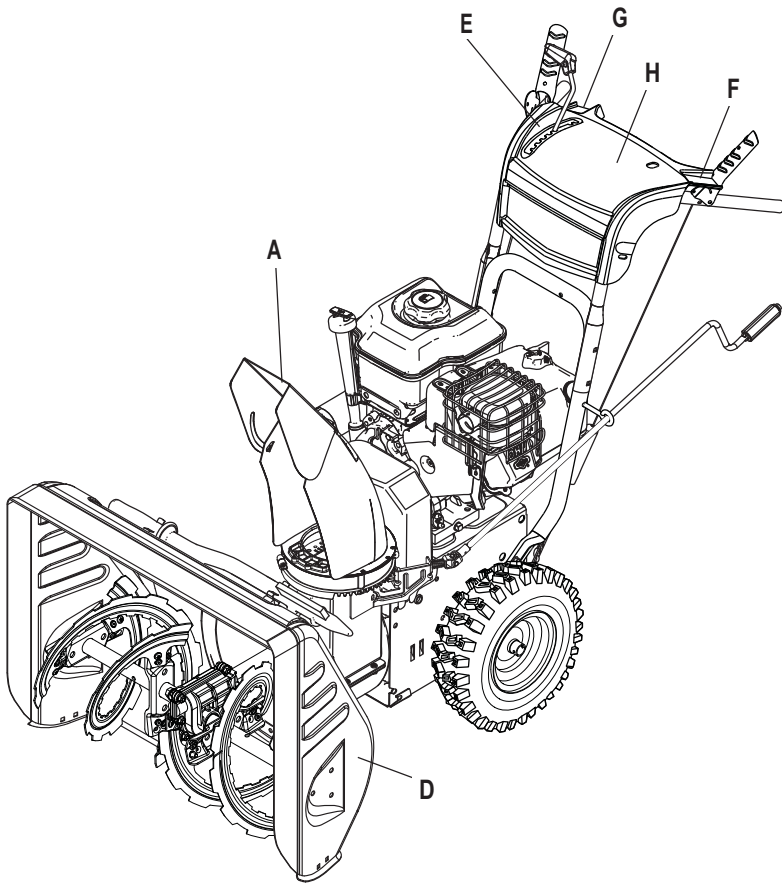
Utgåva Issue		Bildnr Picture No		SNOW FOX SNÖSKRUV		SNOW FOX AUGER DRIVE		Sida Page	
2013-11		2843A						12	
Pos. Fig.	Antal/Quantity				Art nr Part No	Benämning	Description	Sats Kit	Anmärkning Notes
	2869								
10	1				1812-2930-01	Snöskruv-hö.....	Auger-RH.....		24"
20	1				1812-2929-01	Snöskruv-vä.....	Auger-LH.....		
30	1				1812-9032-01	Brytbultsats.....	Shear bolt kit.....		
40	2				1812-0812-01	Mutter.....	Nut.....		
50	1				1812-1609-01	Kil.....	Key.....		
60	1				1812-2793-01	Remskiva.....	Auger pulley.....		
70	1				1812-2804-01	Snäckväxel kpl.....	Gear case assy.....		
80	1				1812-2780-01	Fläkt.....	Impeller.....		
90	1				1812-2553-01	Nav-fläkt.....	Hub-impeller.....		
100	3				1812-2249-01	Skruv.....	Screw.....		
110	3				1812-2640-01	Stoppskruv.....	Set screw.....		



Utgåva Issue		Bildnr Picture No		SNOW FOX SNÄCKVÄXEL		SNOW FOX GEAR CASE		Sida Page	
2013-11		2844						14	
Pos. Fig.	Antal/Quantity				Art nr Part No	Benämning	Description	Sats Kit	Anmärkning Notes
	2869								
10	1				1812-2781-01	Fläktaxel	Impeller shaft		
30	1				1812-2786-01	Snöskruvaxel	Auger shaft		
40	1				1812-1321-01	Distans	Thrust collar		
50	1				1133-0395-01	Stift	Roll pin		
60	4				1812-0857-01	Bricka	Thrust washer		
70	1				1812-0285-01	Nållager	Needle bearing		
80	3				1812-1360-01	Flänslager	Flange bearing		
90	3				1812-0881-01	Tätningring	Oil seal		
100	1				1812-1359-01	Bussning	Bushing		
110	1				1812-0908-01	Snäckväxelhus-vä	Gear case-LH		
120	1				1812-0909-01	Snäckväxelhus-hö	Gear case-RH		
130	1				1812-3052-01	Skruv	Screw		
150	1				1812-1371-01	Kil	Woodruff key		
160	1				1812-2798-01	Snäckdrev	Worm gear		
170	7				1812-1758-01	Mutter	Nut		
180	1				1812-1361-01	Packning	Gasket		
190	7				9988-3519-16	Skruv	Screw		



Utgåva Issue		Bildnr Picture No		SNOW FOX UTKAST		SNOW FOX DISCHARGE CASE		Sida Page	
2013-11		2845A						16	
Pos. Fig.	Antal/Quantity				Art nr Part No	Benämning	Description	Sats Kit	Anmärkning Notes
	2869								
10	1			1812-2803-01	Utkast.....	Chute.....			
20	1			1812-2805-01	Låsratt.....	Wing knob.....			
40	1			1812-2795-01	Utkastrotation.....	Chute rotation assy.....			
100	4			9743-3521-32	Mutter.....	Nut.....			
110A	1			1812-3014-01	Handtag.....	Handle.....			
110B	1			1812-1171-01	Bricka.....	Washer.....			
110C	1			1812-1483-01	Låsning.....	Retainer.....			
110D	1			1812-1821-01	Öglebult.....	Eye bolt.....			
110E	1			1812-0203-01	Hylsa.....	Grommet.....			
110F	2			9743-3721-32	Mutter.....	Nut.....			
110G	1			1812-1707-01	Inställningsvev.....	Chute crank.....			
110H	1			1812-2813-01	Låsnål.....	Hair pin.....			
140	1			1812-2934-01	Fäste kpl.....	Bracket assy.....			
140A	1			1812-1826-01	Gaffelstång.....	Yoke and rod.....			
140B	1			1812-1761-01	Fjäder.....	Spring.....			
140C	1			1812-2814-01	Bricka.....	Washer.....			
140D	1			1812-1706-01	Drev.....	Gear.....			
140E	1			1812-1791-01	Låsnål.....	Hair pin.....			
140F	1			9599-0033-00	Saxsprint.....	Split pin.....			
140G	1			1812-1708-01	Gaffel.....	Yoke adapter.....			
140H	1			1812-1316-01	Axel.....	Universal pin.....			
140I	1			1812-1318-01	Sprint.....	Clevis pin.....			
140J	1			1812-1317-01	Ledknut.....	Universal pivot block.....			
140K	1			1812-2794-01	Fäste.....	Mounting bracket.....			
150	1			9743-3521-32	Mutter.....	Nut.....			
160	2			9699-0035-02	Planbricka.....	Flat washer.....			
170	1			9743-3721-32	Mutter.....	Nut.....			
180	4			1812-3050-01	Skruv.....	Screw.....			
190	1			1812-2978-01	Vagnsbult.....	Carriage bolt.....			
200	3			1812-2771-01	Skruv.....	Screw.....			
210	2			1812-2942-01	Förstärkning.....	Stiffener.....			
300	1			1812-2278-01	Bricka.....	Washer.....			
370	1			1812-2381-01	Utkastskydd.....	Chute guard.....			
380	1			1812-2902-01	Fäste.....	Chute guard brkt.....			
390	2			1812-2426-01	Hylsa.....	Grommet.....			
400	2			1812-2478-01	Snabbmutter.....	Push nut.....			
410	2			1812-3049-01	Skruv.....	Screw.....			
420	1			1812-2975-01	Skruv.....	Screw.....			



1

6			<p>A</p>
5			
4			<p>B</p>
3			
2			
1			
R1			
R2			
G			



Utgåva Issue 2013-11		Bildnr Picture No 2846		SNOW FOX DEKALER		SNOW FOX LABELS		Sida Page 18	
Pos. Fig.	Antal/Quantity				Art nr Part No	Benämning	Description	Sats Kit	Anmärkning Notes
	2869								
1	1				1812-2806-01	Dekalsats.....	Label kit		Incl. A-I