

# Genuine Spare Parts

www.stiga.com

## SILEX 500 G

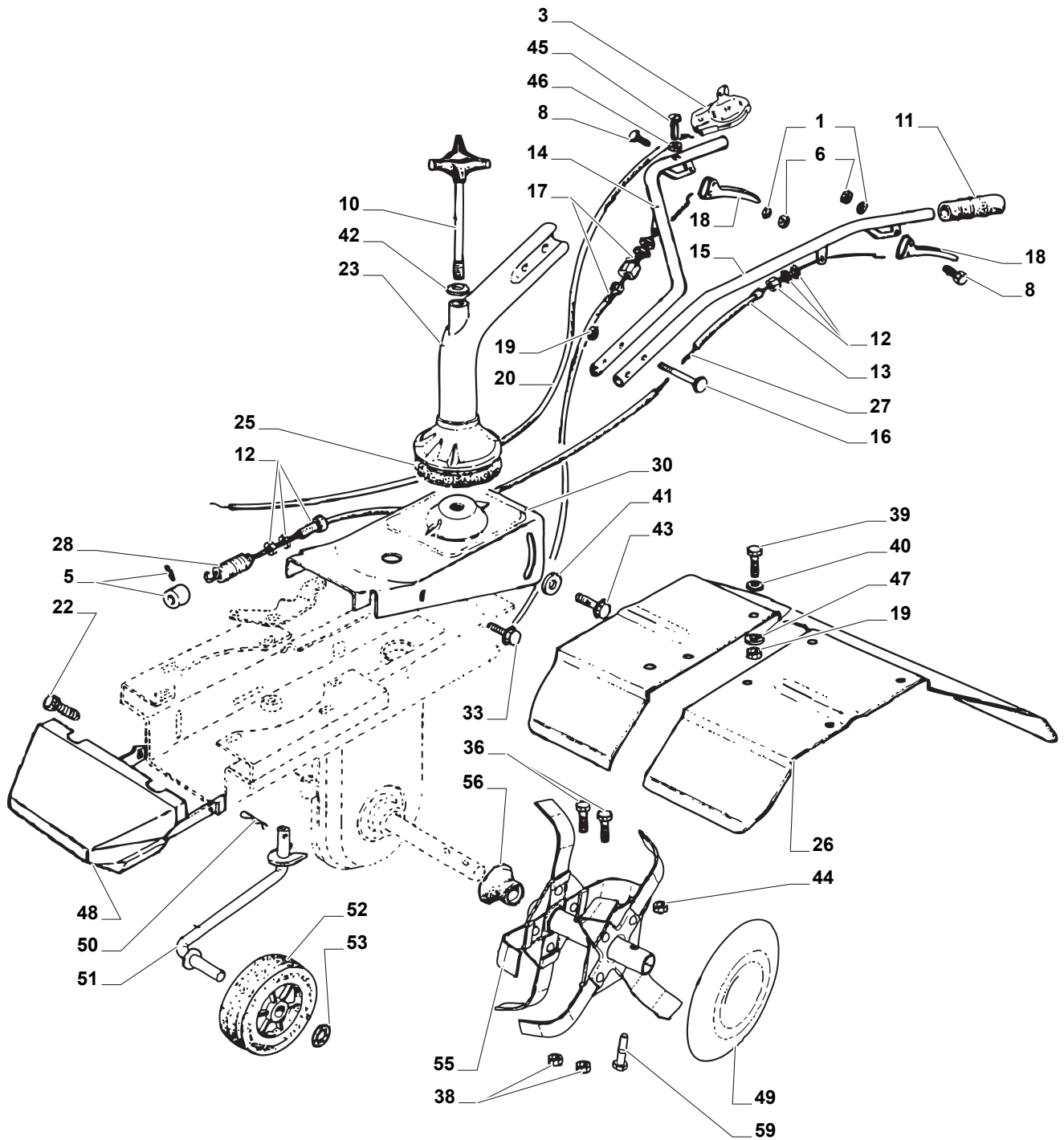
- Use GLOBAL GARDEN PRODUCT Genuine Spare Parts specified in the parts list for repair and/or replacement.
- The contents described in the parts list may change due to improvement.
- The drawings of the spare parts are only indicative and might not represent the part in question exactly.
- The indications "right" - "left" - "front" - "rear" refer to the position of the operator when using the machine.
- When placing orders of parts for repair and/or replacement, make sure that the illustrated parts list is the one applying to the machine's year of manufacture, as shown on the identification plate attached to the machine.

© Copyright 2010 Global Garden Products

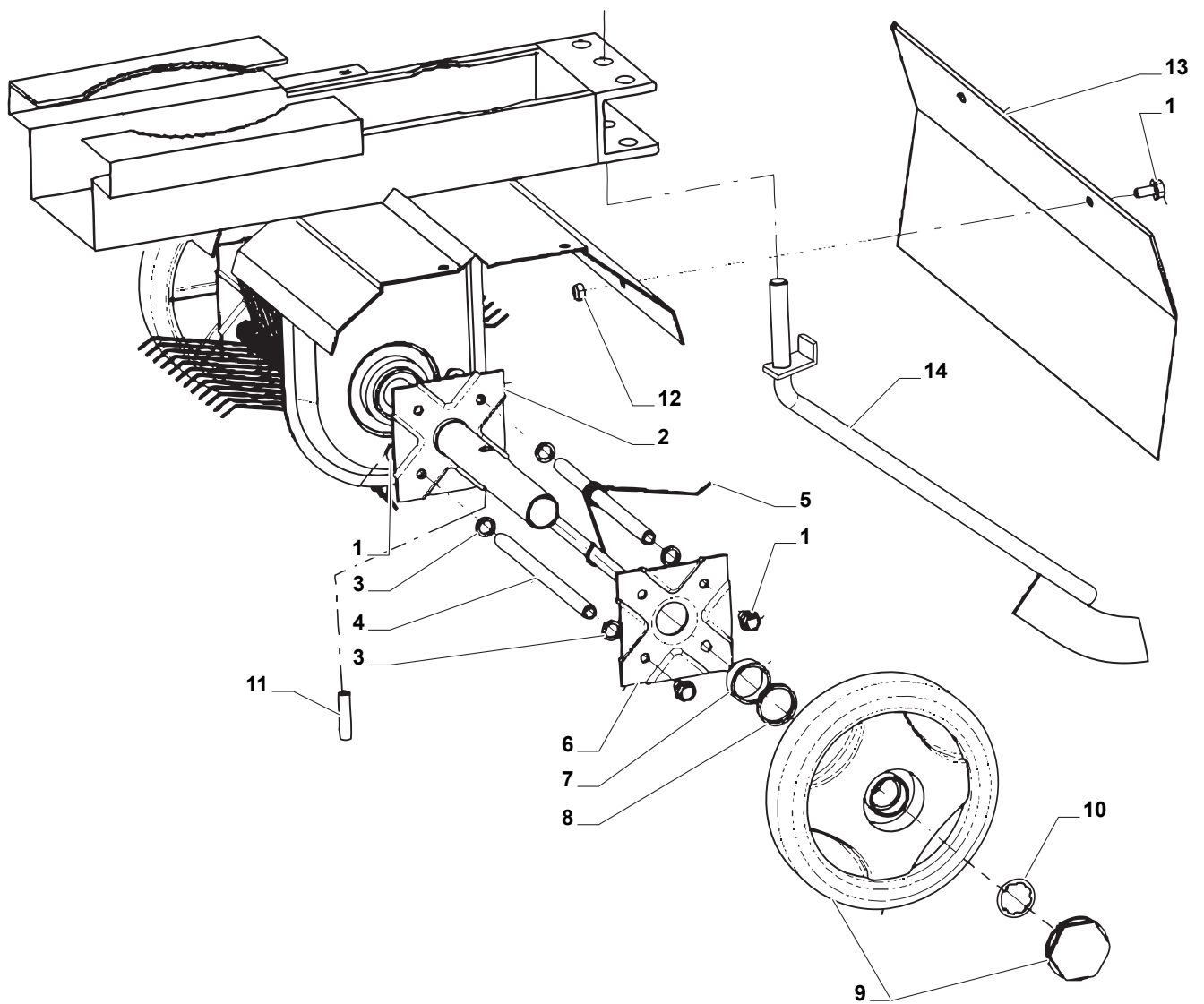
All content is subject to copyright by Global Garden Products and may not be reproduced in whole or in part by any means, electronic or otherwise, without prior written approval.

THIS INFORMATION IS NOT INTENDED FOR SALE OR RESALE, AND THIS NOTICE MUST REMAIN ON ALL COPIES.

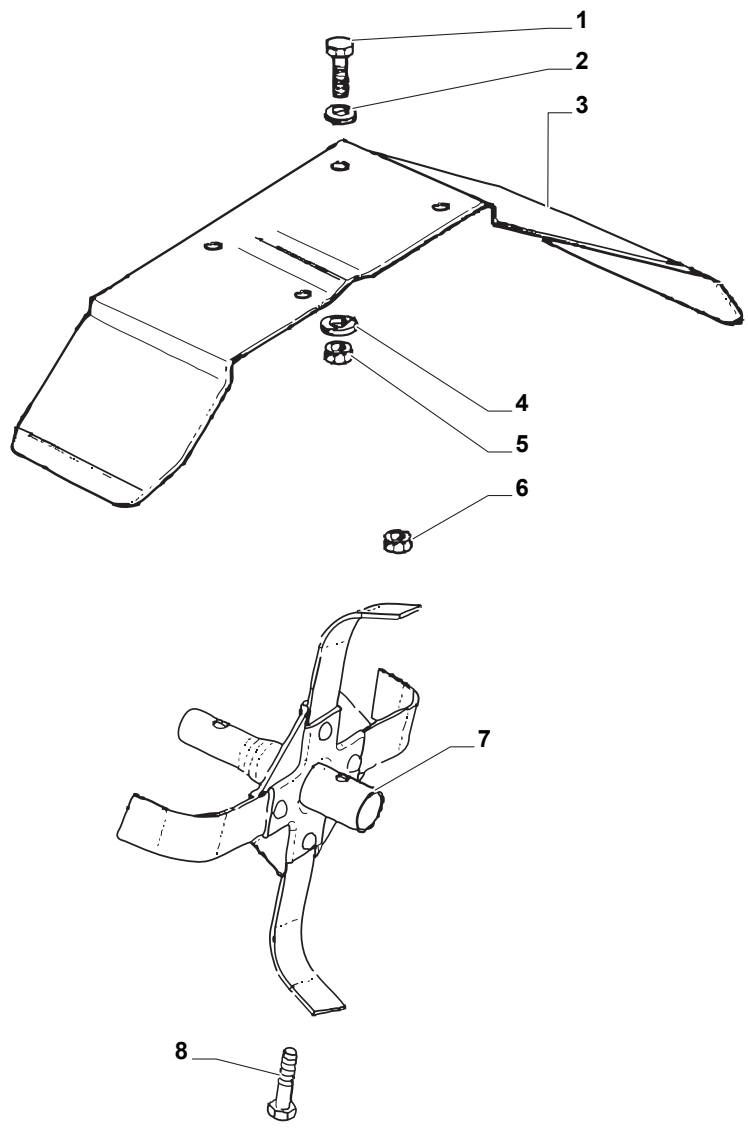




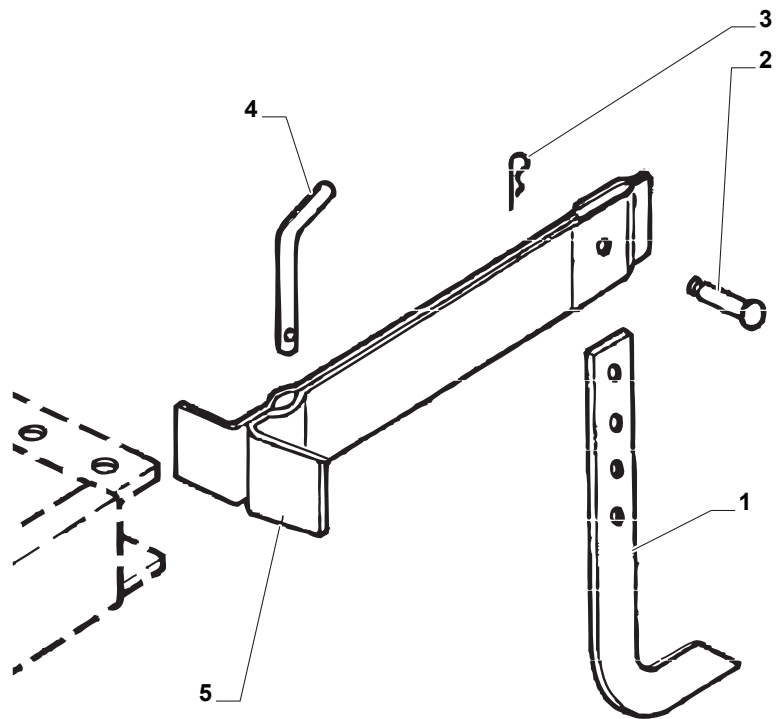
POS	CODE	Q.TY	DESCRIPTION	NOTES
1	9699-0025-02	2	Washer	
3	1483-2143-01	1	Accelerator	
5	1483-2198-01	1	Spacer	
6	9747-0531-02	1	Nut	
8	1483-2005-01	1	Pin	
10	1483-2099-01	1	Knob	
11	1483-2009-01	2	Handgrip	
12	1483-2197-01	2	Cable Adjuster	
13	1483-2110-01	1	Cable	
14	1483-2098-01	1	Handle	
15	1483-2100-01	1	Handle	
16	9897-0880-12	2	Screw	
18	1483-2008-01	1	Handle	
19	9747-0831-02	6	Lock nut	
20	1483-2142-01	1	Throttle Cable	
22	9847-8016-16	1	Screw	
23	1483-2105-01	1	Support Yellow	
25	1483-2078-01	1	Disc	
26	1483-2101-01	1	Guard Yellow	
30	1483-2086-01	1	Plate Yellow	
33	9959-0816-16	2	Screw	
36	9997-1050-16	4	Screw	
38	9747-1031-02	4	Lock nut	
39	9997-0820-16	4	Screw	
40	9699-0028-02	4	Flat washer	
41	9699-0056-02	2	Flat washer	
42	9699-0121-02	1	Washer	
43	9959-0825-16	2	Screw	
44	9747-1031-02	2	Lock nut	
45	9948-0650-16	1	Screw	
46	9747-0631-02	1	Lock nut	
47	9699-0122-02	4	Washer	
48	1483-2080-01	1	Plate	
49	1483-2022-01	2	Disc	
50	9598-0002-02	1	Spring Pin	
51	1483-2106-01	1	Support	
52	1483-2111-01	1	Wheel	
53	1483-2195-01	1	Washer	
55	1483-2023-01	1	Right Tine Assy	
55	1483-2024-01	1	Left Tine Assy	
56	1483-2010-01	2	Dust Cover	
59	9997-1050-16	2	Screw	



POS	CODE	Q.TY	DESCRIPTION	NOTES
1	9959-0816-16	18	Screw	
2	1483-2309-01	2	Clamp	
3	9699-0121-02	16	Washer	
4	1483-2305-01	8	Shaft	
5	1483-2307-01	96	Spring	
6	1483-2301-01	2	Flange	
7	1483-2310-01	2	Spacer	
8	1483-2285-01	2	Spacer	
9	1483-2308-01	2	Wheel	
10	1483-2322-01	2	Crown Fastener	
11	1483-2324-01	2	Pin	
12	9747-0831-02	2	Lock nut	
13	1483-2298-01	1	Cover	
14	1483-2303-01	1	Rod	

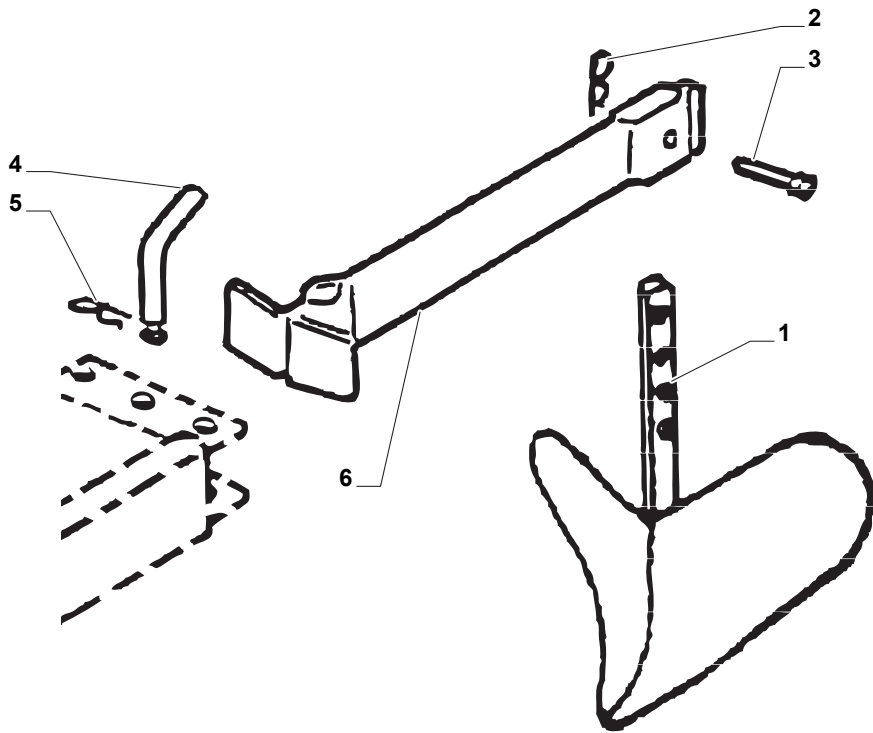


POS	CODE	Q.TY	DESCRIPTION	NOTES
1	9997-0820-16	4	Screw	
2	9699-0028-02	4	Flat washer	
3	1483-2288-01	1	Right Yellow Cover	
3	1483-2289-01	1	Left Yellow Cover	
4	9699-0122-02	4	Washer	
5	9747-0831-02	4	Lock nut	
6	9747-1031-02	2	Lock nut	
7	1483-2169-01	1	Right Tine Assy	
7	1483-2170-01	1	Left Tine Assy	
8	9997-1050-16	2	Screw	

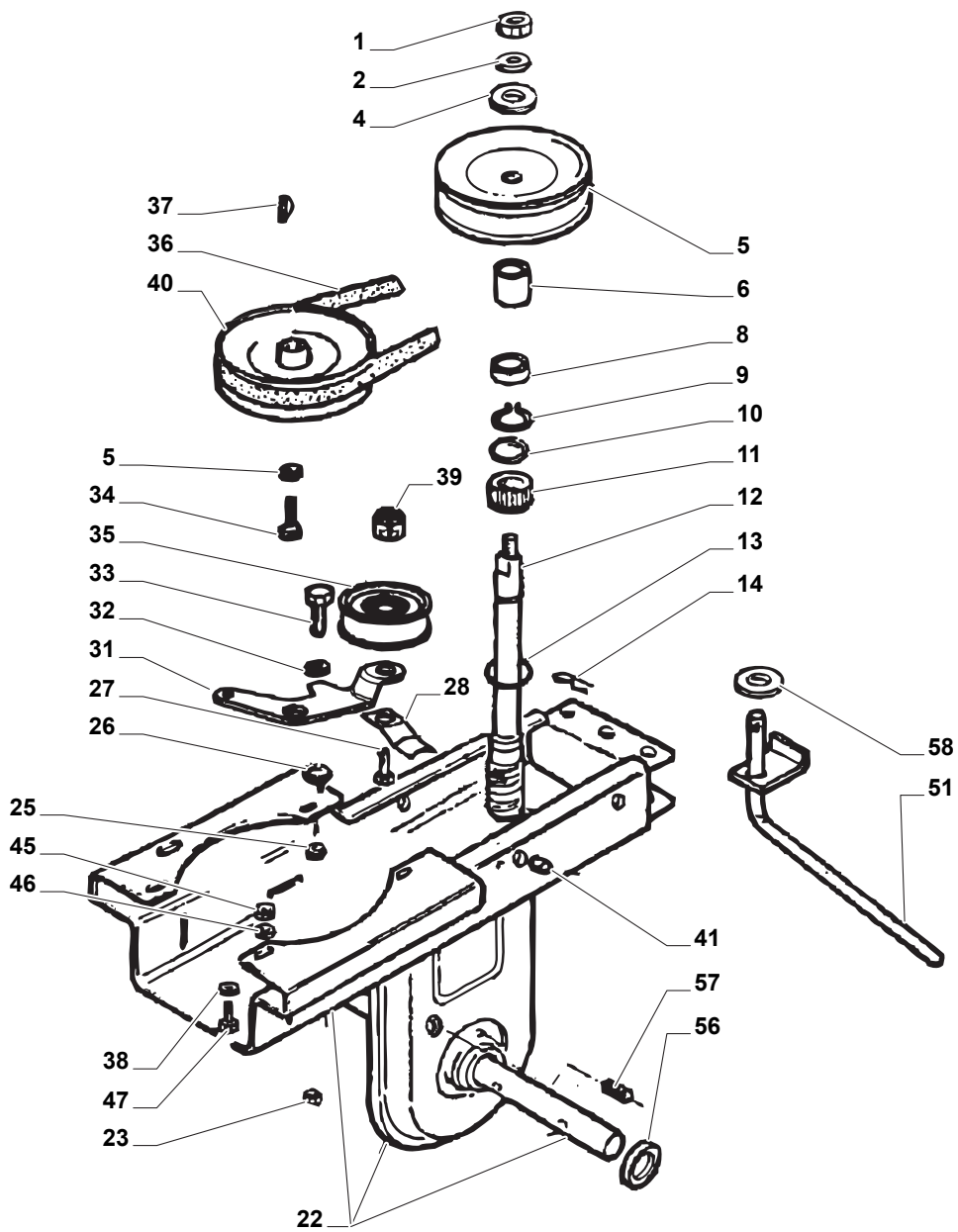




POS	CODE	Q.TY	DESCRIPTION	NOTES
1	1483-2287-01	1	Rod	
2	1483-2286-01	1	Pin	
3	9599-0052-02	1	Cotter Pin	
4	1483-2292-01	1	Pin	
5	1483-2293-01	1	Bracket	



POS	CODE	Q.TY	DESCRIPTION	NOTES
1	1483-2294-01	1	Plough	
2	9598-0002-02	1	Spring Pin	
3	1483-2286-01	1	Pin	
4	1483-2292-01	1	Pin	
5	9599-0052-02	1	Cotter Pin	
6	1483-2293-01	1	Bracket	



POS	CODE	Q.TY	DESCRIPTION	NOTES
1	12295200/0	1	Nut	
2	9699-0035-02	2	Flat washer	
4	1483-2085-01	1	Spacer	
5	1483-2082-01	1	Pulley	
6	1483-2084-01	1	Spacer	
8	1483-2192-01	1	Bearing	
9	1483-2068-01	1	Seeger	
10	1483-2000-01	1	Spacer	
11	1483-2072-01	1	Needle Bearing	
12	1483-2081-01	1	Screw	
13	1483-2188-01	1	O Ring	
14	9598-0002-02	1	Spring Pin	
22	1483-2093-01	1	Transm.Housing-Yellow	
23	9747-1031-02	1	Lock nut	
25	1483-2001-01	1	Bush	
26	1483-2096-01	1	Spring	
27	9997-1230-16	1	Screw	
28	1483-2144-01	1	Belt Guide	
31	1483-2083-01	1	Lever	
32	9699-0105-02	1	Washer	
33	9997-1020-16	1	Screw	
34	9987-5225-16	1	Screw	
35	1483-2004-01	1	Pulley	
36	1483-2113-01	1	Belt	
37	12139100/0	1	Key	
38	9699-0122-02	1	Washer	
39	9747-1231-02	1	Nut	
40	1483-2002-01	1	Pulley	
41	1483-2108-01	1	Spacer	
45	9747-0831-02	1	Lock nut	
46	9699-0028-02	1	Flat washer	
47	9997-0840-16	1	Screw	
51	1483-2107-01	1	Lever	
56	1483-2070-01	2	Oil Seal	
57	1483-2075-01	1	Cap	
58	9699-0104-02	1	Washer	