

SCRUBTEC 343 B

Model:

SCRUBTEC 343 B

SCRUBTEC 343 B OBC

SCRUBTEC 343 COMBI



Part List US-English

15-06-2011

Table of Contents

SCRUBTEC 343 B

SOLUTION TANK	3
VACUUM SYSTEM	5
RECOVERY TANK	7
HANDLE ASSEMBLY	9
CONTROL PANEL ASSEMBLY	11
SOLUTION SYSTEM	13
SQUEEGEE ASSEMBLY	15
BRUSH SYSTEM	17
WIRING SYSTEM	19
ACCESSORIES 1	21
WIRING DIAGRAM	23
RECOMMENDED SPARE PARTS	25

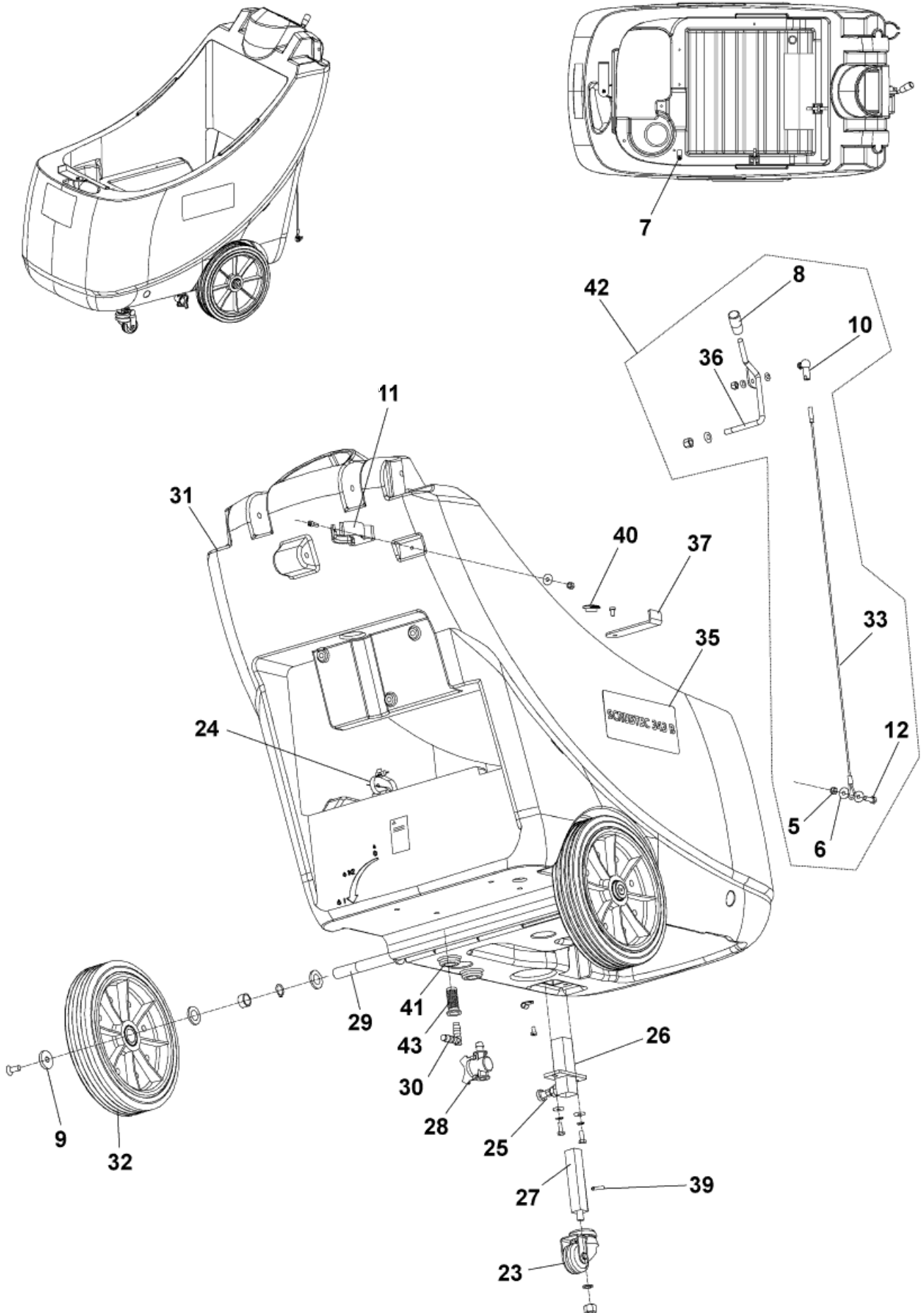
SOLUTION TANK

SCRUBTEC 343 B

15-06-2011

Part List ID
343B0010

3



SOLUTION TANK

SCRUBTEC 343 B

15-06-2011

Part List ID

343B0010

4

Pos	Part no.	Qty	Description		EAN
0	909 6226 000	1	RUBBER SHOCK ABSORBER KIT	INST.INSTR.CODE 909 6227 000	5711140126
0	909 6438 000	1	HARDWARE. TANK FIXING KIT		5711140128
5	L08603682	1	NUT SELF L. M6 UNI7474 SS		5711140015
6	L08603689	2	WASHER 6X18X1.5 UNI6593 SS		5711140015
7	L08603845	1	CLAMP.CABLE		5711140015
8	L08812349	1	KNOB		5711140018
9	L08812392	2	BUSHING		5711140018
10	145 8479 000	1	JOINT BALL M6		5711140023
11	909 6380 000	1	CLAMP KIT		5711140127
12	145 0253 000	1	SCREW M6X20 UNI5739 SS		5711140021
23	909 5560 000	1	WHEEL		5711140123
24	145 0524 000	8	CLAMP BLACK 4.8x200		5711140023
25	909 5641 000	1	PLUNGER INDEXING		5711140123
26	909 5649 000	1	SUPPORT		5711140123
27	909 5658 000	1	ROD MACHINE SUPPORTING		5711140123
28	909 5696 000	1	VALVE		5711140123
29	909 5748 000	1	SHAFT WHEELS		5711140124
30	909 5285 000	1	ELBOW 90. D.10 NYLON		5711140122
31	909 6271 000	1	TANK SOLUTION		5711140127
33	909 6283 000	1	CABLE. SQUEEGEE LIFTING		5711140127
35	9098017000	1	DECALS KIT SCRUBTEC 343B	Nilfisk-ALTO Brand	5711140136
35	9098066000	1	DECALS SCRUBTEC 343B ALTO KIT	ALTO Brand	7319519680
36	909 6296 000	1	LEVER.SQUEEGEE LIFTING		5711140127
37	909 6304 000	1	BRACKET BRUSH SUPPORT		5711140127
39	909 6441 000	1	PIN 3X20 UNI6873		5711140128
40	909 6236 000	1	CAP BLACK		5711140126
41	909 5286 000	2	GASKET		5711140122
42	909 6437 000	1	CABLE. SQUEEGEE LIFT KIT		5711140128
32A	9096919000	2	WHEEL	TSB IT 2007-020	5711140131
43A	9096916000	1	FILTER SOLUTION TANK	TSB IT 2007-020	5711140131

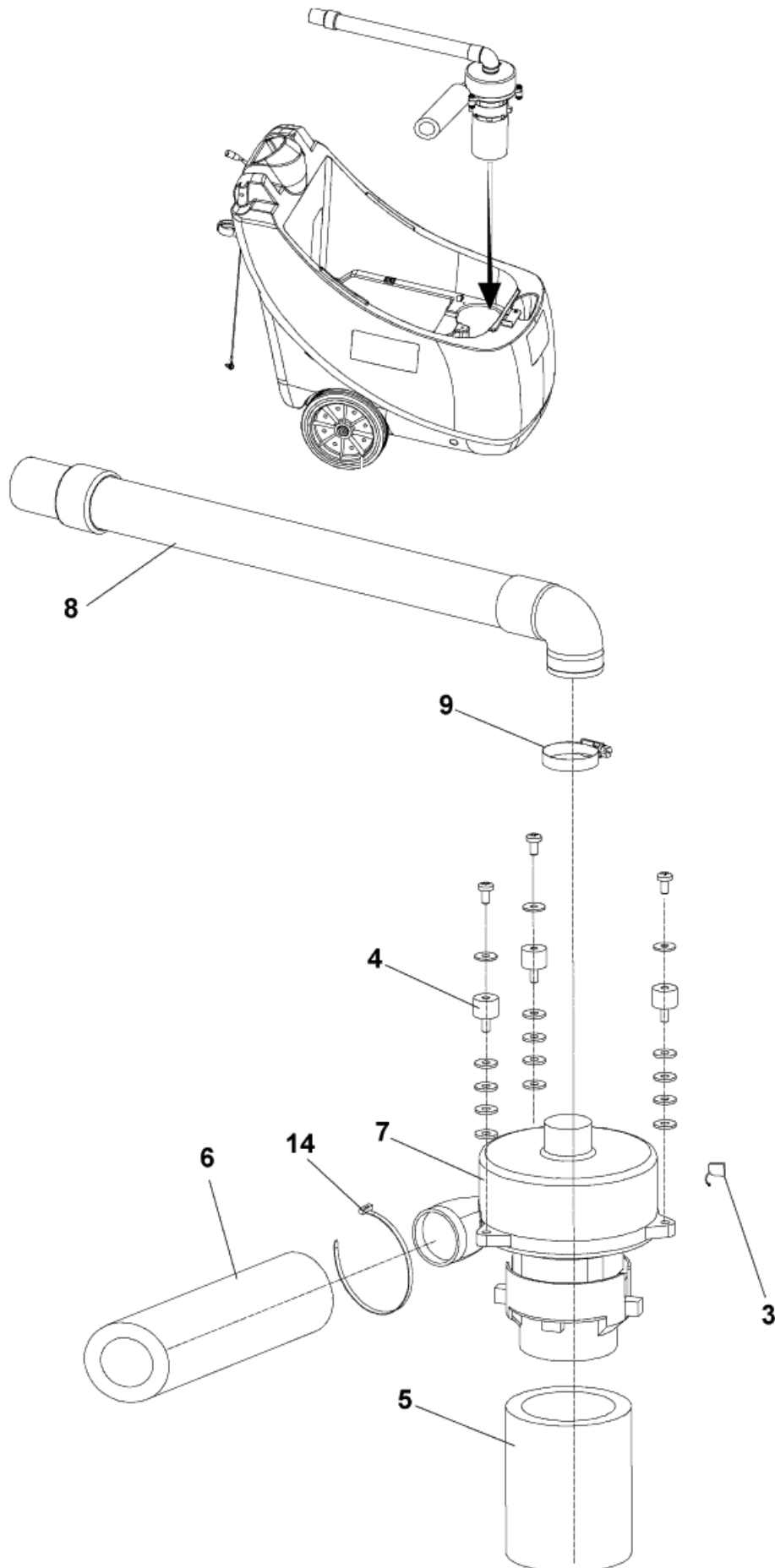
VACUUM SYSTEM

SCRUBTEC 343 B

15-06-2011

Part List ID
343B0030

5



VACUUM SYSTEM

SCRUBTEC 343 B

15-06-2011

Part List ID
343B0030

6

Pos	Part no.	Qty	Description	EAN
0	909 5987 000	1	HARDWARE. VAC.MOTOR KIT	5711140125
3	909 5371 000	2	BRUSH CARBON	5711140122
4	909 5198 000	3	VIBRATION DAMPING M 6	5711140121
5	909 5564 000	1	PIPE ACOUSTIC INSULATION	5711140123
6	909 5565 000	1	PIPE ACOUSTIC INSULATION	5711140123
8	909 5579 000	1	HOSE VACUUM MOTOR	5711140123
9	145 0543 000	1	CLAMP 14/32-52	5711140023
0A	9098474000	1	HARDWARE VAC.MOTOR FIXING KIT	FROM S.NO.093217283 7319519680
14	L08812587	1	CLAMP 4.8X430 WHITE	5711140018
3B	9098231000	1	CARBON BRUSH KIT 2PCS	FROM S.NO.093217283 5711140139
7A	909 5713 000	1	MOTOR VACUUM KIT	5711140123
7B	9098233000	1	MOTOR VACUUM KIT	FROM S.NO.093217283 5711140148

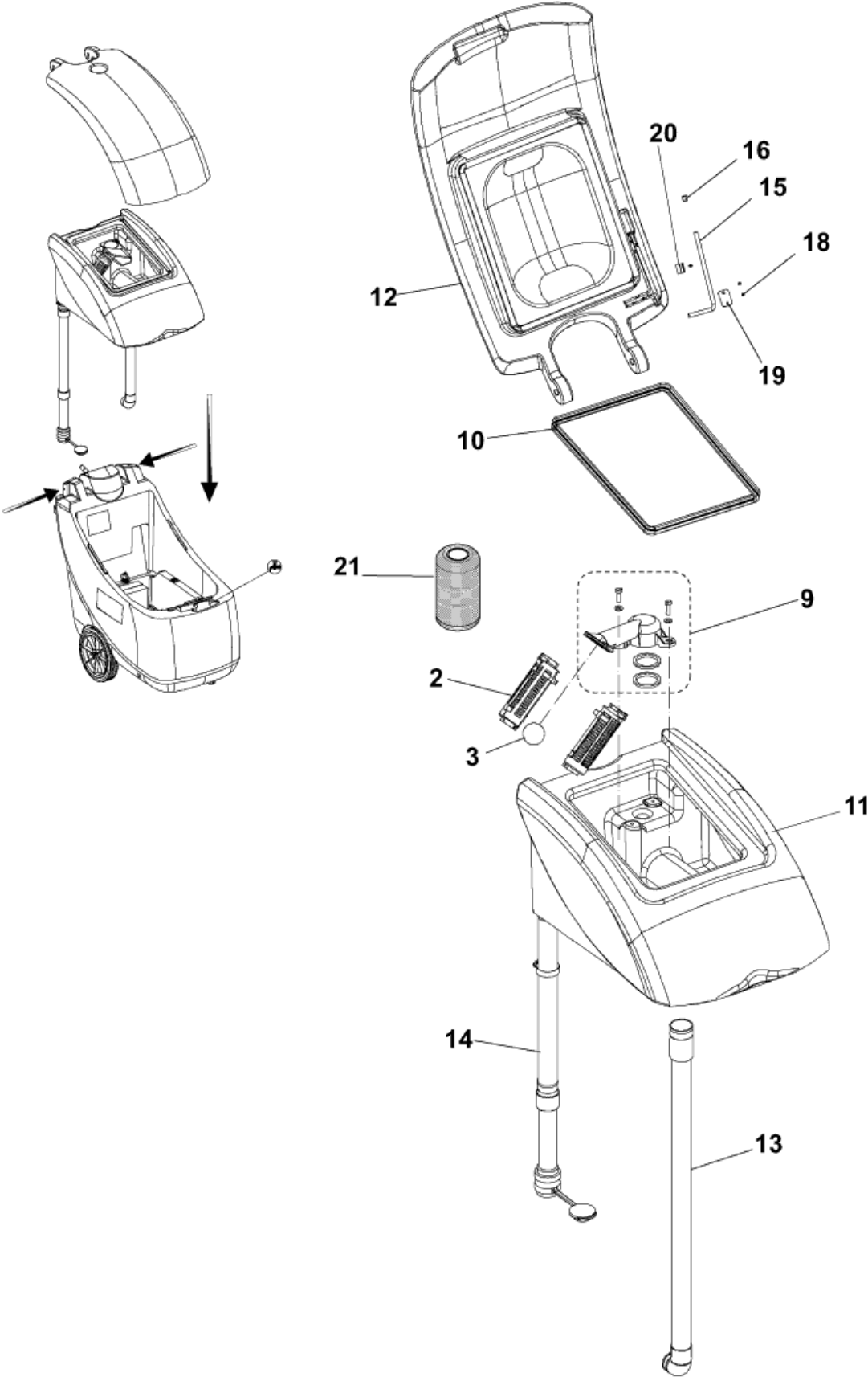
RECOVERY TANK

SCRUBTEC 343 B

15-06-2011

Part List ID
343B0050

7



RECOVERY TANK

SCRUBTEC 343 B

15-06-2011

Part List ID

343B0050

8

Pos	Part no.	Qty	Description	EAN
0	909 5988 000	1	HARDWARE. TANK FIXING KIT	5711140125
2	L08812259	2	CAGE.FLOAT CPL	5711140017
3	L08812373	1	BALL FLOATING	5711140018
10	909 6268 000	1	GASKET L 1370MM	5711140127
11	909 6272 000	1	TANK RECOVERY BLUE	5711140127
12	909 6273 000	1	COVER. TANKS	5711140127
13	909 6289 000	1	HOSE.SUCTION	5711140127
14	9098256000	1	HOSE DRAIN BLACK	5711140140
15	909 6762 000	1	LEVER	5711140130
16	L08603935	1	CAP BLACK	5711140016
18	145 1756 000	3	SCREW 2.9X9.5 UNI6955	5711140024
19	909 6473 000	1	PLATE. LEVER FIXING	5711140128
20	909 6575 000	1	CLAMP LEVER FIXING	5711140128
21	909 5065 000	1	FILTER ANTIFOAMING	OPTION - TSB IT 2008-002 5711140120
9A	9097724000	1	CAGE FLOAT HOLDER KIT	TSB IT 2008-009- INST.INSTR.CODE 9097725000 5711140135

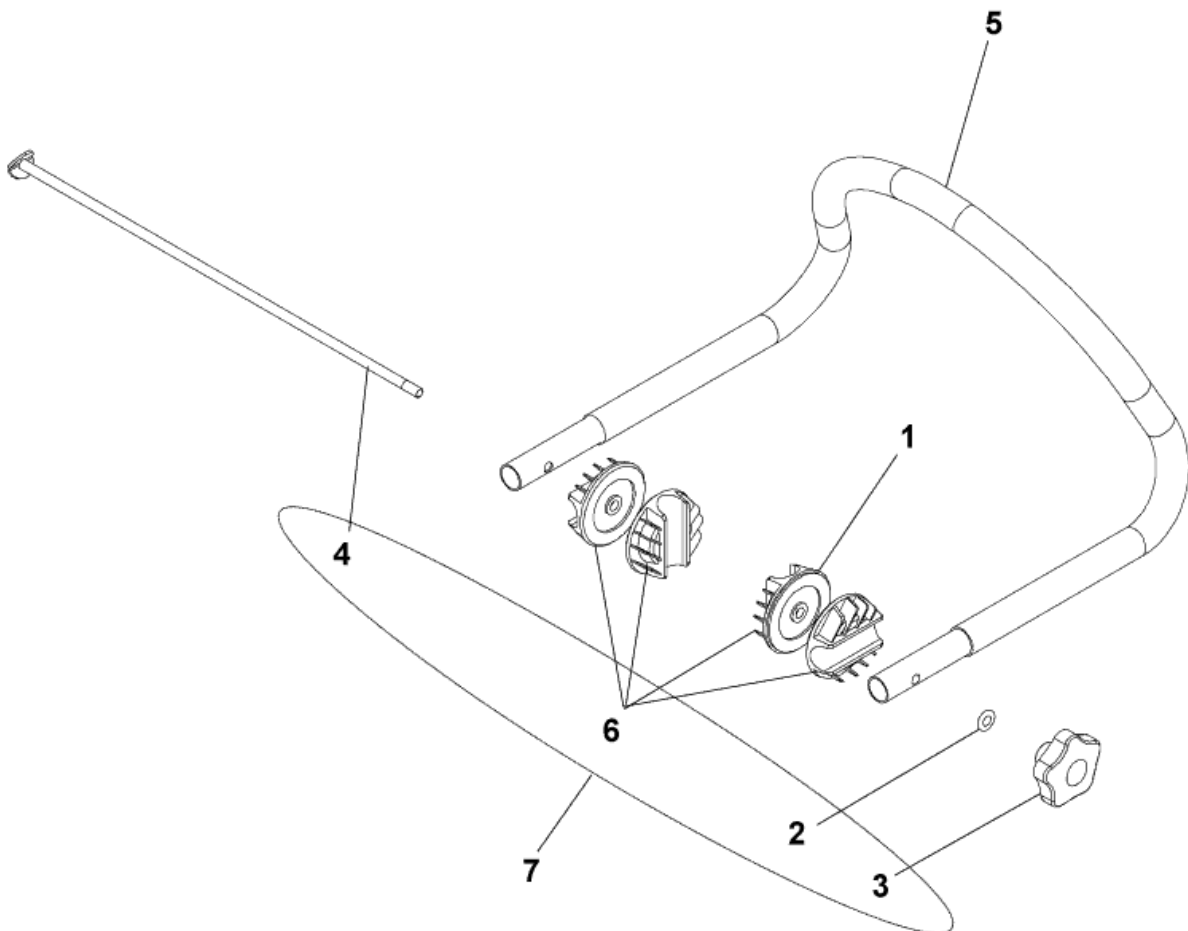
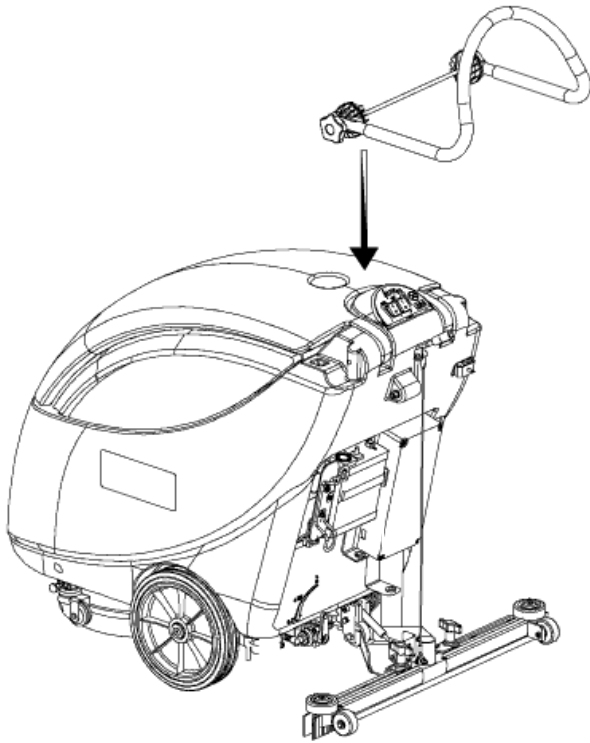
HANDLE ASSEMBLY

SCRUBTEC 343 B

15-06-2011

Part List ID
343B0070

9



HANDLE ASSEMBLY

SCRUBTEC 343 B

15-06-2011

Part List ID
343B0070

10

Pos	Part no.	Qty	Description	EAN
1	L08603931	4	RATCHET HANDLE ADJUSTER	5711140016
2	33005915	1	WASHER M8 UN16592	5711140067
3	146 1852 000	1	KNOB M8	5711140041
4	909 5574 000	1	PIN HANDLE FIXING	5711140123
5	909 6274 000	1	HANDLE BAR	5711140127
6	909 5099 000	1	RATCHET HANDLE ADJUST.KIT	5711140120
7	909 5701 000	1	HANDLE ADJUSTER KIT	5711140123

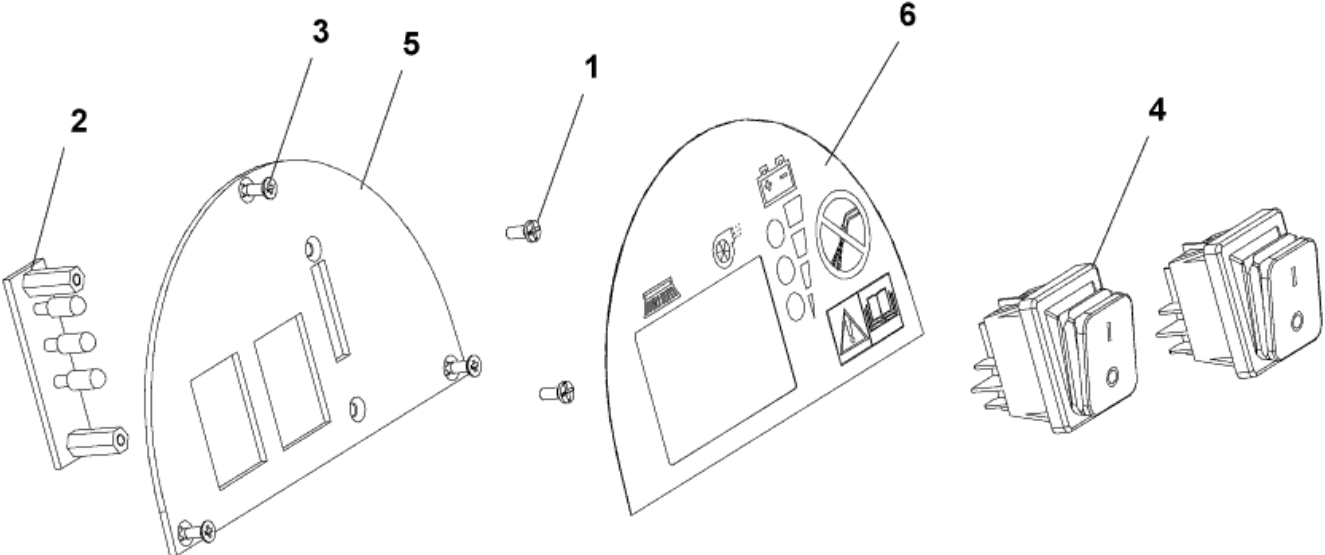
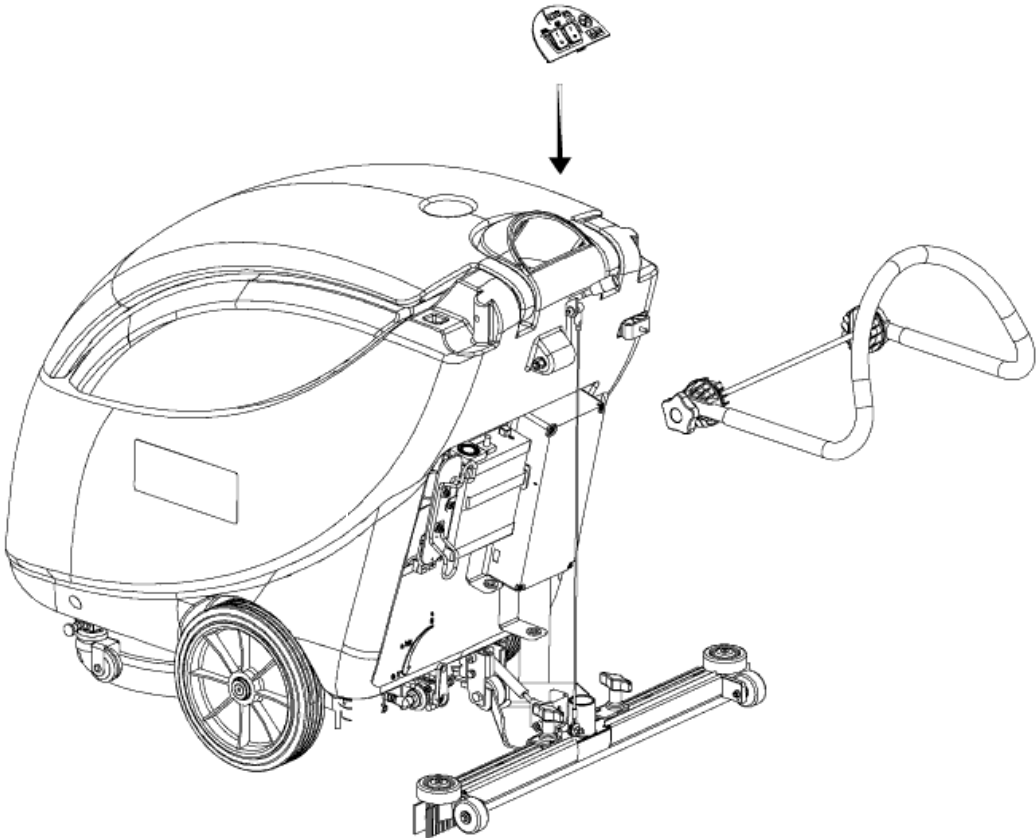
CONTROL PANEL ASSEMBLY

SCRUBTEC 343 B

15-06-2011

Part List ID
343B0080

11



CONTROL PANEL ASSEMBLY

SCRUBTEC 343 B

15-06-2011

Part List ID

343B0080

12

Pos	Part no.	Qty	Description	EAN
1	33005101	2	SCREW M3X8 UNI7688	5711140065
2	L08812909	1	BOARD. LED	5711140020
3	145 1756 000	3	SCREW 2.9X9.5 UNI6955	5711140024
4	909 5584 000	2	SWITCH	5711140123
5	909 6275 000	1	PANEL CONTROL	5711140127
6	909 6295 000	1	DECAL CONTROL PANEL	5711140127

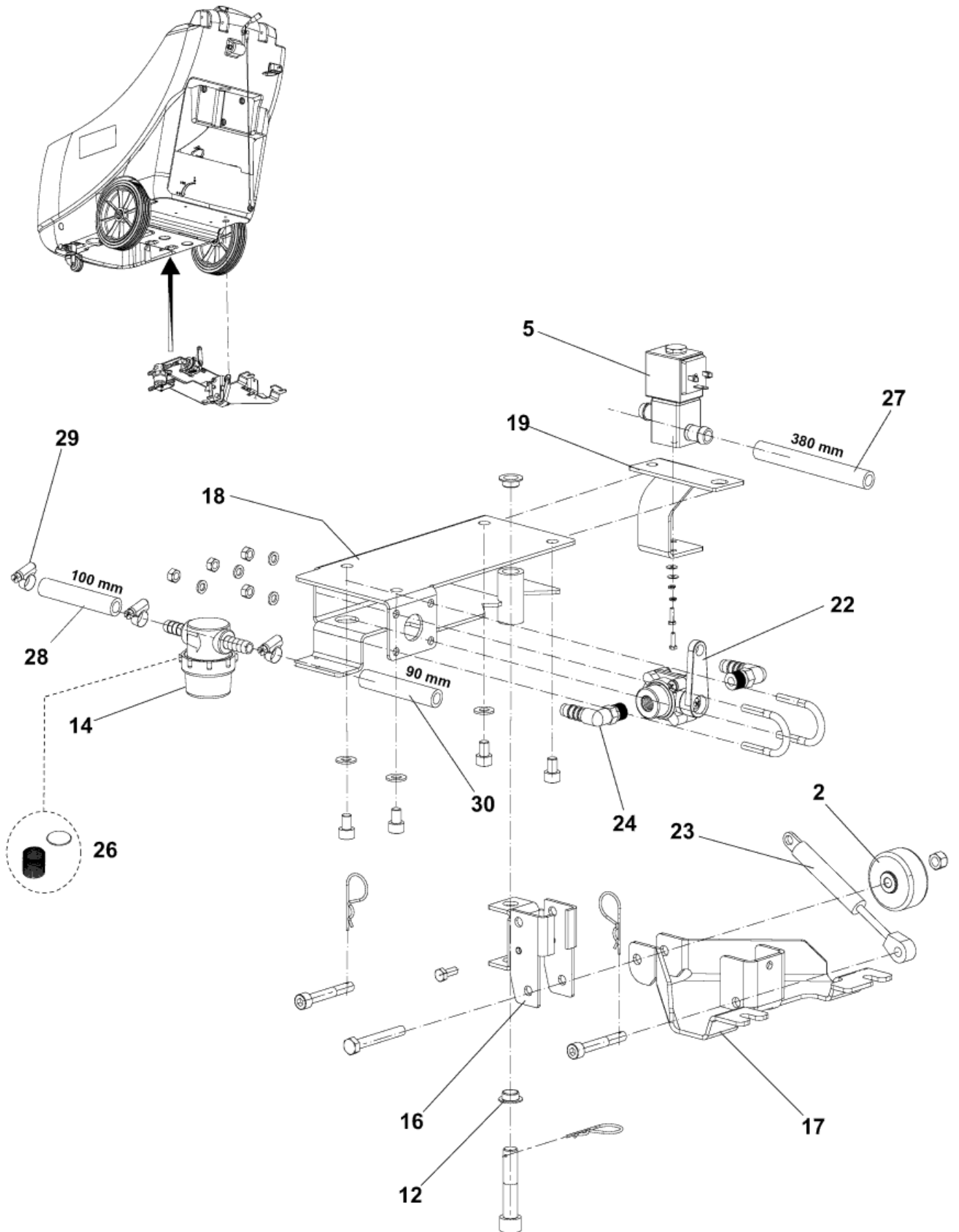
SOLUTION SYSTEM

SCRUBTEC 343 B

15-06-2011

Part List ID
343B0100

13



SOLUTION SYSTEM

SCRUBTEC 343 B

15-06-2011

Part List ID
343B0100

14

Pos	Part no.	Qty	Description	EAN
0	909 5990 000	1	HARDWARE. SOL.VAL.FIX.KIT	5711140125
2	L08603665	1	WHEEL D.51.SQUEEGEE	5711140015
0B	909 5977 000	1	SOLENOID VALVE KIT	INST.INSTR.9097873000 5711140125
0B	9097874000	1	CONNECTOR TYPE DIN 43650	5711140138
12	146 0549 000	2	BUSH FLANGED	5711140032
14	9097166000	1	FILTER COMPLETE KIT	5711140132
18	909 6280 000	1	PLATE	5711140127
22	909 5632 000	1	VALVE 1/4 FOR SOLEN.VALVE	5711140123
23	909 5637 000	1	SPRING GAS	5711140123
26	L08603893	1	NET FILTER WITH GASKET KIT	5711140016
28	909 5026 000	1	HOSE D.10 L100	5711140120
29	145 8582 000	3	CLAMP 8/ 9-16	5711140023
30	145 4154 000	1	PIPE D.10 L 90	5711140011
5B	9097738000	1	SOLENOID VALVE 24V	5711140135
16A	909 6277 000	1	BRACKET. SQUEEGEE SUPPORT	TSB IT 2007-020 5711140127
17A	909 6278 000	1	SUPPORT. SQUEEGEE	TSB IT 2007-020 5711140127
19B	9097866000	1	BRACKET SOLENOID VALVE	TSB IT 2008-016 5711140138
24B	909 5651 000	2	HOLDER RUBBER 90. D.10	TSB IT 2008-016 5711140123
27B	9097868000	1	HOSE D.12 L380MM	TSB IT 2008-016 5711140138

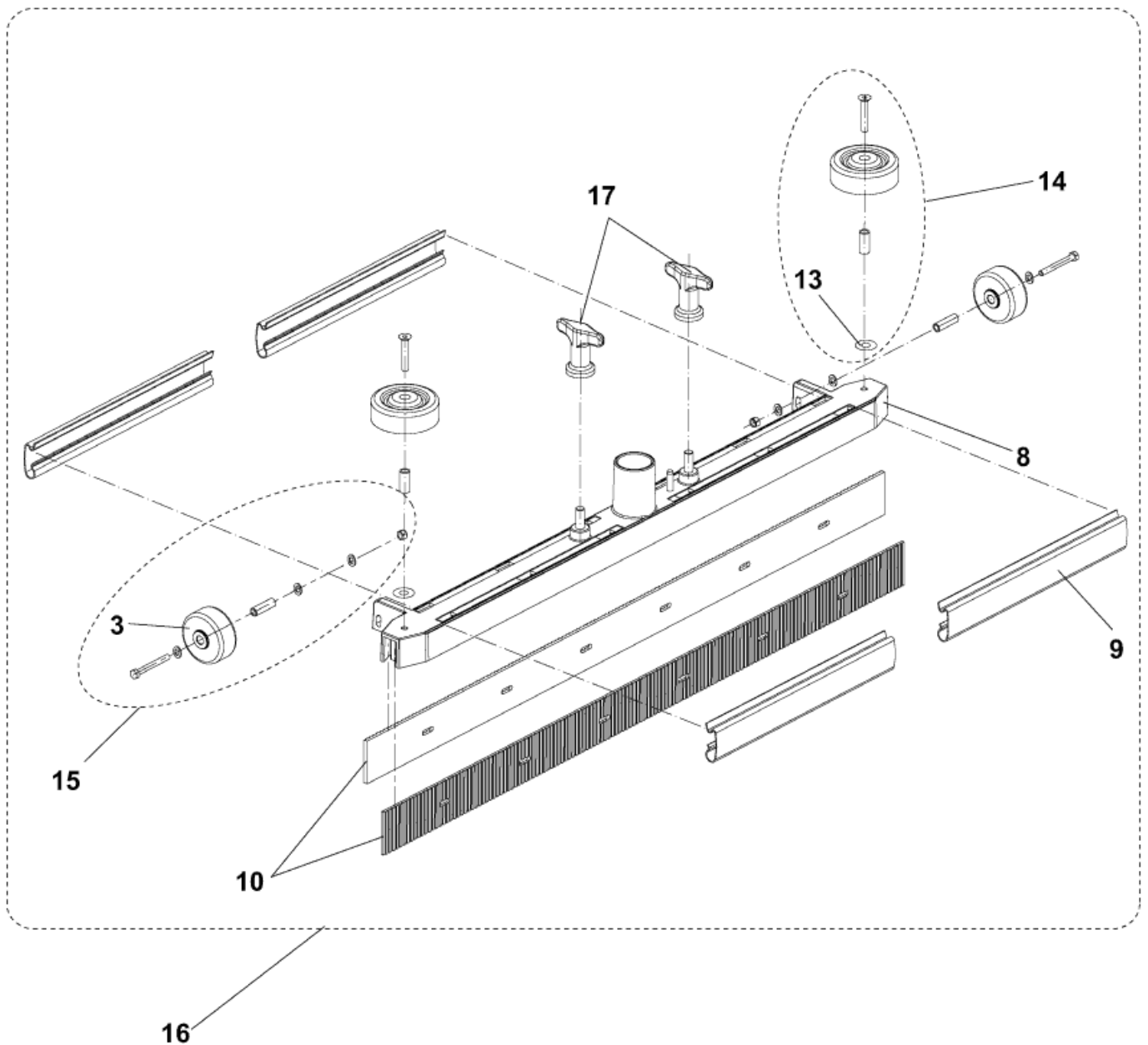
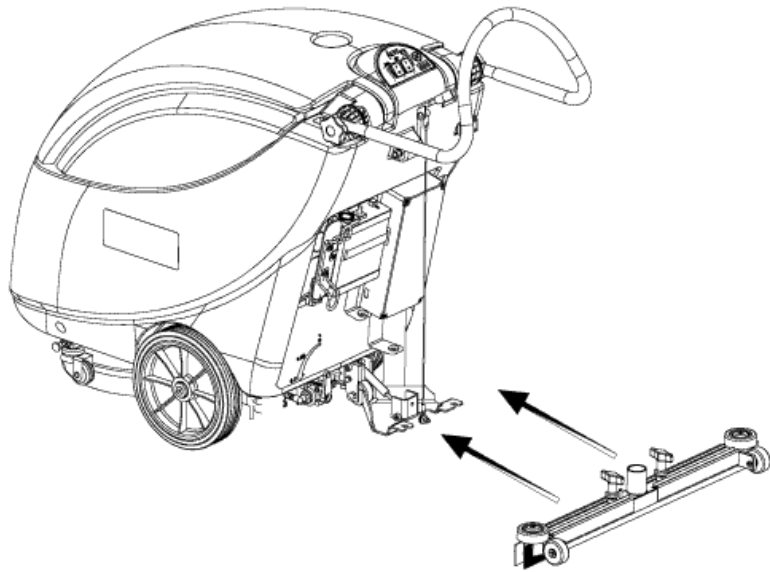
SQUEEGEE ASSEMBLY

SCRUBTEC 343 B

15-06-2011

Part List ID
343B0120

15



SQUEEGEE ASSEMBLY

SCRUBTEC 343 B

15-06-2011

Part List ID
343B0120

16

Pos	Part no.	Qty	Description	EAN
0	909 5991 000	1	HARDWARE.SQUEEGEE FIX.KIT	5711140125
3	L08603665	2	WHEEL D.51.SQUEEGEE	5711140015
8	909 5554 000	1	WELDMENT SQUEEGEE TOOL	5711140123
9	909 5555 000	4	SPRING	5711140123
13	L08603689	2	WASHER 6X18X1.5 UNI6593 SS	5711140015
14	L08603880	1	ROLLER BUMPER KIT	5711140016
15	909 5703 000	1	WHEEL SQUEEGEE KIT	5711140123
16	909 5702 000	1	SQUEEGEE CPL STR.740MM/29 KIT	5715492037
17	9097637000	1	SQUEEGEE FIXING KIT	5711140134
10A	9097354000	1	BLADES PU KIT 720MM/28	5711140133

TSB IT 2008-007

BRUSH SYSTEM

SCRUBTEC 343 B

15-06-2011

Part List ID
343B0140

18

Pos	Part no.	Qty	Description	EAN
0	909 5992 000	1	HARDWARE.BRUSH FIXING KIT	5711140125
3	L08603849	1	GEAR REDUCTION 1 19	5711140015
8	L08812891	1	BRUSH D.430 PROLENE PPL	5711140019
10	146 2826 000	2	SCREW M12X55 UNI5931	5711140046
17	909 5550 000	1	GUARD BRUSH	5711140123
18	909 6269 000	1	PLATE.BRUSH HOLDER	5711140127
19	909 6270 000	1	BRACKET	5711140127
20	909 5558 000	2	SPRING	5711140123
21	909 5559 000	2	BUSH FLANGED	5711140123
22	909 5585 000	1	BLOCK ADJUSTER BRUSH DECK	5711140123
23	909 5586 000	1	PLATE	5711140123
24	909 6217 000	1	HOSE COPPER	5711140126
27	L08812589	1	HOLDER POLY G.W/FLANGE KIT	5711140018
28	909 5622 000	1	HOSE	5711140123
2D	9097184000	1	VIBRATION DAMPING M8 60SH	5711140132
33	909 5397 000	1	ROLLER BUMPER KIT	5711140122
6B	9097114000	1	MOTOR ELECTRIC 520W 24V	TSB IT 2007-011 5711140132
11A	909 5720 000	1	BRUSH CARBON W/COVER KIT	TSB IT 2007-011 5711140123
11C	909 6893 000	1	BRUSH CARBON KIT 4PCS	TSB IT 2007-011 5711140131
25B	9097113000	1	MOTOR REDUCTION GEAR 520W 24V	TSB IT 2007-011 5711140132

WIRING SYSTEM

SCRUBTEC 343 B

15-06-2011

Part List ID

343B0160

20

Pos	Part no.	Qty	Description	EAN
0	145 0227 000	1	FUSE BLADE 40A	5711140009
0	145 1248 000	1	CAP D. 7.9	5711140011
0	145 3824 000	1	FUSE STRIP 40A	5711140009
0	145 9852 000	1	FUSE BLADE 5A UL	5711140009
0	80564200	2	BATT. 12V-50AH GEL MONOBLOC	5715492068
0	80564300	2	BATT. 12V-70AH GEL MONOBLOC	5715492068
0	909 5994 000	1	HARDWARE. WIRING FIX. KIT	5711140125
0	909 6299 000	1	HARNESS MACHINE W CHARG.	BEFORE S.NO.084834866 5711140127
0	909 6305 000	1	HARNESS MACHINE W/O CHARG.	BEFORE S.NO.084834866 5711140127
0	909 6446 000	1	FAN COOLING	5711140128
0	909 6447 000	1	COVER ABS	5711140128
0	909 6448 000	1	WIRES BATT.CHARGER KIT	5711140128
0	9097590000	1	CABLE BATTERY INTERCONNECTION	5711140134
0	9097743000	1	HARNESS MACHINE W/O CHARGER	FROM S.NO.084834866 5711140135
0	9097759000	1	HARNESS MACHINE W/CHARGER	FROM S.NO.084834866 5711140135
0	L08603889	1	HARNESS BATTERY	5711140016
3	909 6568 000	1	COVER ELECTRONIC CARD	5711140128
14	909 6062 000	2	BUSH. KIT	5711140125
18	146 0656 000	1	GASKET	5711140033
21	146 0708 000	1	INSULATOR M6 WHITE	5711140033
22	909 5127 000	1	SWITCH ELECTROMAGNETIC 24V D	5711140121
24	146 2118 000	1	GASKET	5711140042
26	909 5098 000	1	CARD ELECTRONIC	5711140120
27	146 0719 000	1	SWITCH ELECTROMAGNETIC 24V	5711140033
28	909 5149 000	1	SUPPORT CABLE	5711140121
29	9099032000	1	CHARGER BATTERY 24V 8A	7319519683
30	909 6429 000	1	BRACKET	5711140128
31	909 6426 000	1	HARNESS ELECTRONIC CARD	5711140128
33	909 6288 000	1	PLATE. ELECT.COMP.FIXING	5711140127
35	909 5633 000	1	CABLE EXTENSION	5711140123
35	909 5676 000	1	CABLE EXTENSION UK PLUG	5711140123
35	9096914000	1	CABLE EXTENSION	5711140131
36	L08812670	2	RESTRAINT. BATTERY	5711140019
37	145 8046 000	1	HOLDER FUSE	5711140009
38	146 0660 000	1	HOLDER FUSE	5711140033

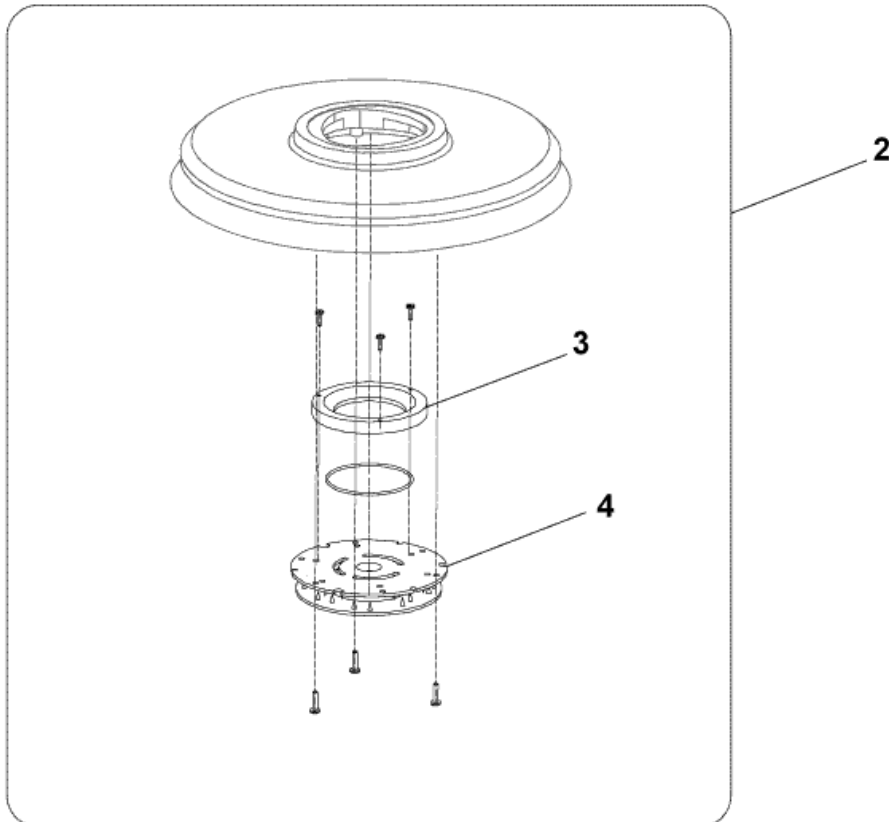
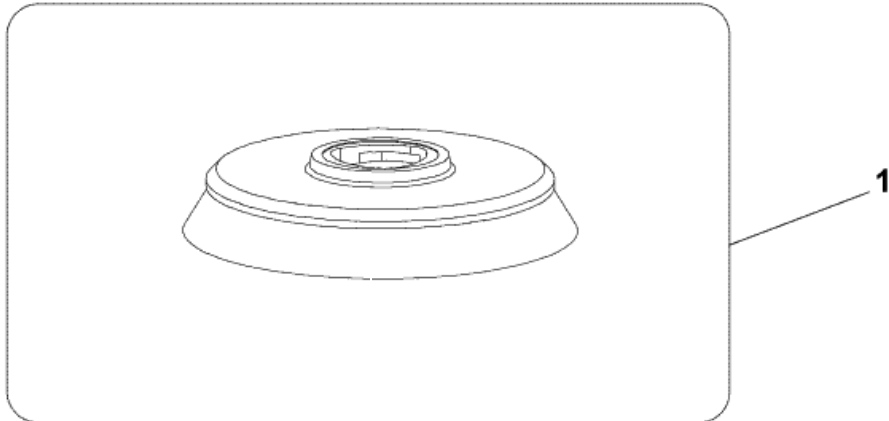
ACCESSORIES 1

SCRUBTEC 343 B

15-06-2011

Part List ID
343B0180

21



ACCESSORIES 1

SCRUBTEC 343 B

15-06-2011

Part List ID
343B0180

22

Pos	Part no.	Qty	Description	EAN
1	909 5691 000	1	BRUSH D.430 MIDLITE GRIT	4005337108
1	909 5692 000	1	BRUSH D.430 MIDGRIT 240	4005337108
1	909 5693 000	1	BRUSH D.430 PROLITE	4005337108
1	909 5694 000	1	BRUSH D.430 UNION MIX	4005337108
2	909 5695 000	1	PADHOLDER KIT CPL 410	5715492037
3	L08603966	1	RING NYLON	5711140016
4	L08837030	1	RETAINER PAD	5711140020

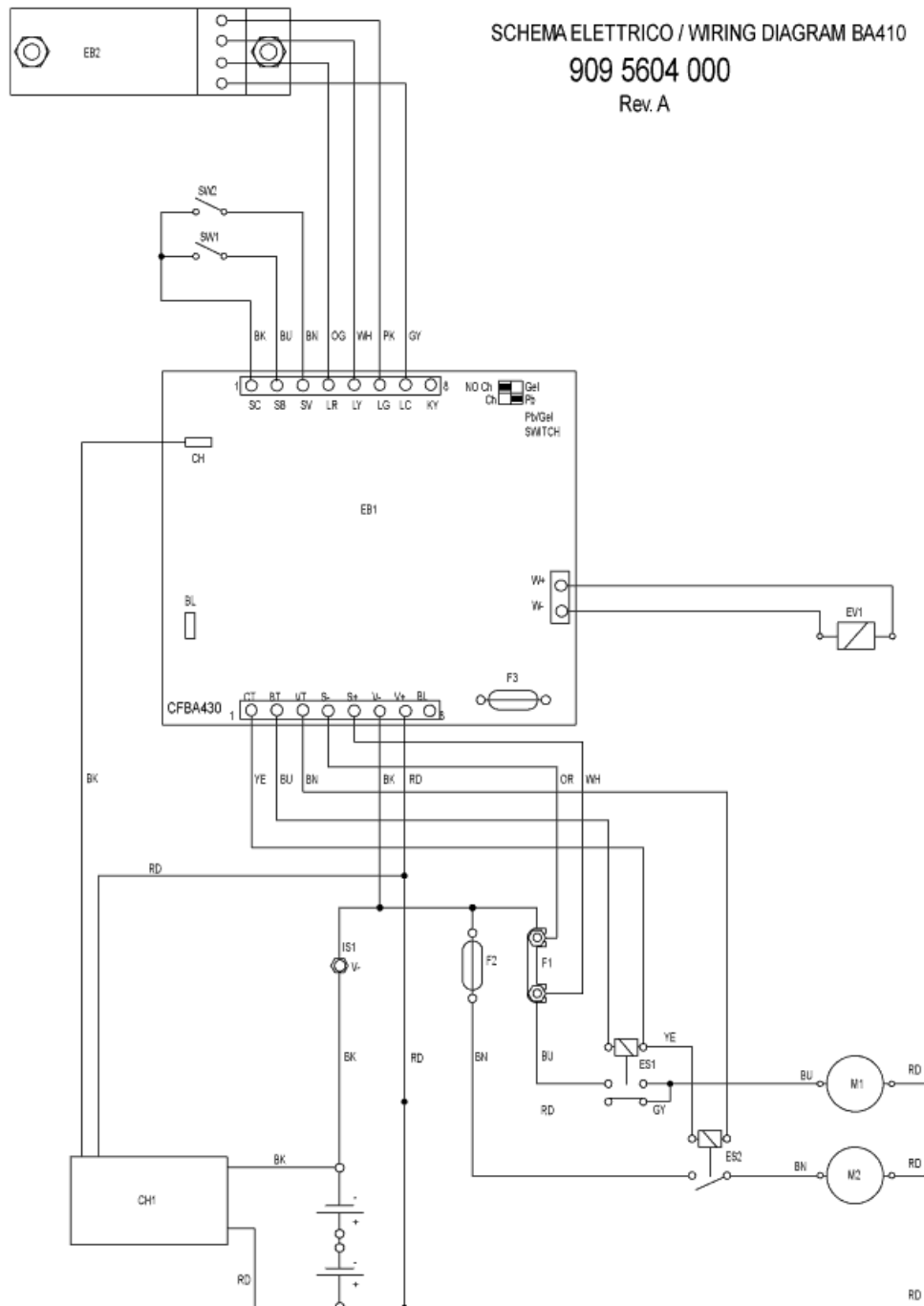
WIRING DIAGRAM

SCRUBTEC 343 B

15-06-2011

Part List ID
343B0200

23



LEGENDA	
CH1	BATTERY CHARGER (OPT)
C1	CHARGER OUTPUT CONNECTOR (OPT)
EB1	ELECTRONIC BOARD (CFBA430)
EB2	LED BOARD (CFBALED)
ES1	BRUSH EL. SWITCH
ES2	VACUUM EL. SWITCH
EV1	WATER ELECTRIC VALVE
F1	BRUSH FUSE (40A)
F2	VACUUM FUSE (40A)
F3	WATER VALVE & ELECTR. FUSE (5A)
IS1	NEGATIVE INSULATOR
M1	BRUSH MOTOR
M2	VACUUM MOTOR
SW1	BRUSH SWITCH
SW2	VACUUM SWITCH

COLORS CODES	
BK	BLACK nero
BU	BLUE azzurro
BN	BROWN marrone
GN	GREEN verde
GY	GREY grigio
OG	ORANGE arancio
PK	PINK rosa
RD	RED rosso
VT	VIOLET viola
WH	WHITE bianco
YE	YELLOW giallo

WIRING DIAGRAM

SCRUBTEC 343 B

15-06-2011

Part List ID

343B0200

24

RECOMMENDED SPARE PARTS

SCRUBTEC 343 B

15-06-2011

Part List ID

343B0220

25

No Drawing For Part List

RECOMMENDED SPARE PARTS

SCRUBTEC 343 B

15-06-2011

Part List ID

343B0220

26

Pos	Part no.	Qty	Description	EAN
1	9097166000	1	FILTER COMPLETE KIT	5711140132
2	L08603893	1	NET FILTER WITH GASKET KIT	5711140016
3	909 6268 000	1	GASKET L 1370MM	5711140127
4	9097354000	1	BLADES PU KIT 720MM/28	5711140133
5	909 5555 000	4	SPRING	5711140123
6	L08812891	1	BRUSH D.430 PROLENE PPL	5711140019
7	9098256000	1	HOSE DRAIN BLACK	5711140140
8	909 6289 000	1	HOSE.SUCTION	5711140127
9	909 5579 000	1	HOSE VACUUM MOTOR	5711140123
10	145 0227 000	1	FUSE BLADE 40A	5711140009
11	145 3824 000	1	FUSE STRIP 40A	5711140009
12	145 9852 000	1	FUSE BLADE 5A UL	5711140009
13	9097738000	1	SOLENOID VALVE 24V	5711140135
14	909 5977 000	1	SOLENOID VALVE KIT	5711140125
15	909 5651 000	2	HOLDER RUBBER 90. D.10	5711140123
16	909 5696 000	1	VALVE	5711140123
17	9098233000	1	MOTOR VACUUM KIT	5711140148
18	9098231000	1	CARBON BRUSH KIT 2PCS	5711140139
19	909 6283 000	1	CABLE. SQUEEGEE LIFTING	5711140127
20	909 6437 000	1	CABLE. SQUEEGEE LIFT KIT	5711140128
21	909 5564 000	1	PIPE ACOUSTIC INSULATION	5711140123
22	909 5565 000	1	PIPE ACOUSTIC INSULATION	5711140123
23	9097113000	1	MOTOR REDUCTION GEAR 520W 24V	5711140132
24	909 6893 000	1	BRUSH CARBON KIT 4PCS	5711140131
25	9097184000	1	VIBRATION DAMPING M8 60SH	5711140132
26	909 5558 000	2	SPRING	5711140123
27	909 6397 000	1	HARDWARE SQUEEGEE KIT	5711140127
28	9096919000	2	WHEEL	5711140131
29	909 5099 000	1	RATCHET HANDLE ADJUST.KIT	5711140120
30	909 5701 000	1	HANDLE ADJUSTER KIT	5711140123
31	909 5554 000	1	WELDMENT SQUEEGEE TOOL	5711140123
32	909 5702 000	1	SQUEEGEE CPL STR.740MM/29 KIT	5715492037
33	909 5703 000	2	WHEEL SQUEEGEE KIT	5711140123
34	L08603880	2	ROLLER BUMPER KIT	5711140016
35	909 6062 000	1	BUSH. KIT	5711140125
36	909 5584 000	1	SWITCH	5711140123
37	909 5098 000	1	CARD ELECTRONIC	5711140120
38	9099032000	1	CHARGER BATTERY 24V 8A	7319519683
39	146 0719 000	1	SWITCH ELECTROMAGNETIC 24V	5711140033
40	909 5127 000	1	SWITCH ELECTROMAGNETIC 24V D	5711140121
41	9096916000	1	FILTER SOLUTION TANK	5711140131
42	909 5691 000	1	BRUSH D.430 MIDLITE GRIT	4005337108

RECOMMENDED SPARE PARTS

SCRUBTEC 343 B

15-06-2011

Part List ID

343B0220

27

Pos	Part no.	Qty	Description	EAN
43	909 5692 000	1	BRUSH D.430 MIDGRIT 240	4005337108
44	909 5693 000	1	BRUSH D.430 PROLITE	4005337108
45	909 5694 000	1	BRUSH D.430 UNION MIX	4005337108
46	909 5695 000	1	PADHOLDER KIT CPL 410	5715492037
47	909 5065 000	1	FILTER ANTIFOAMING	5711140120