

SC400 43 E

Model:
SC400 E NIL



Part List US-English

09-04-2015

Table of Contents

SC400 43 E

GENERAL SYSTEM	3
SOLUTION SYSTEM	5
FILTER AND WHEELS SYSTEM	7
RECOVERY SYSTEM	9
HANDLE SYSTEM	11
SQUEEGEE AND LIFT SYSTEM	13
BRUSH SYSTEM	15
WIRING SYSTEM	17
ACCESSORIES	19
RECOMMENDED SPARE PARTS	21

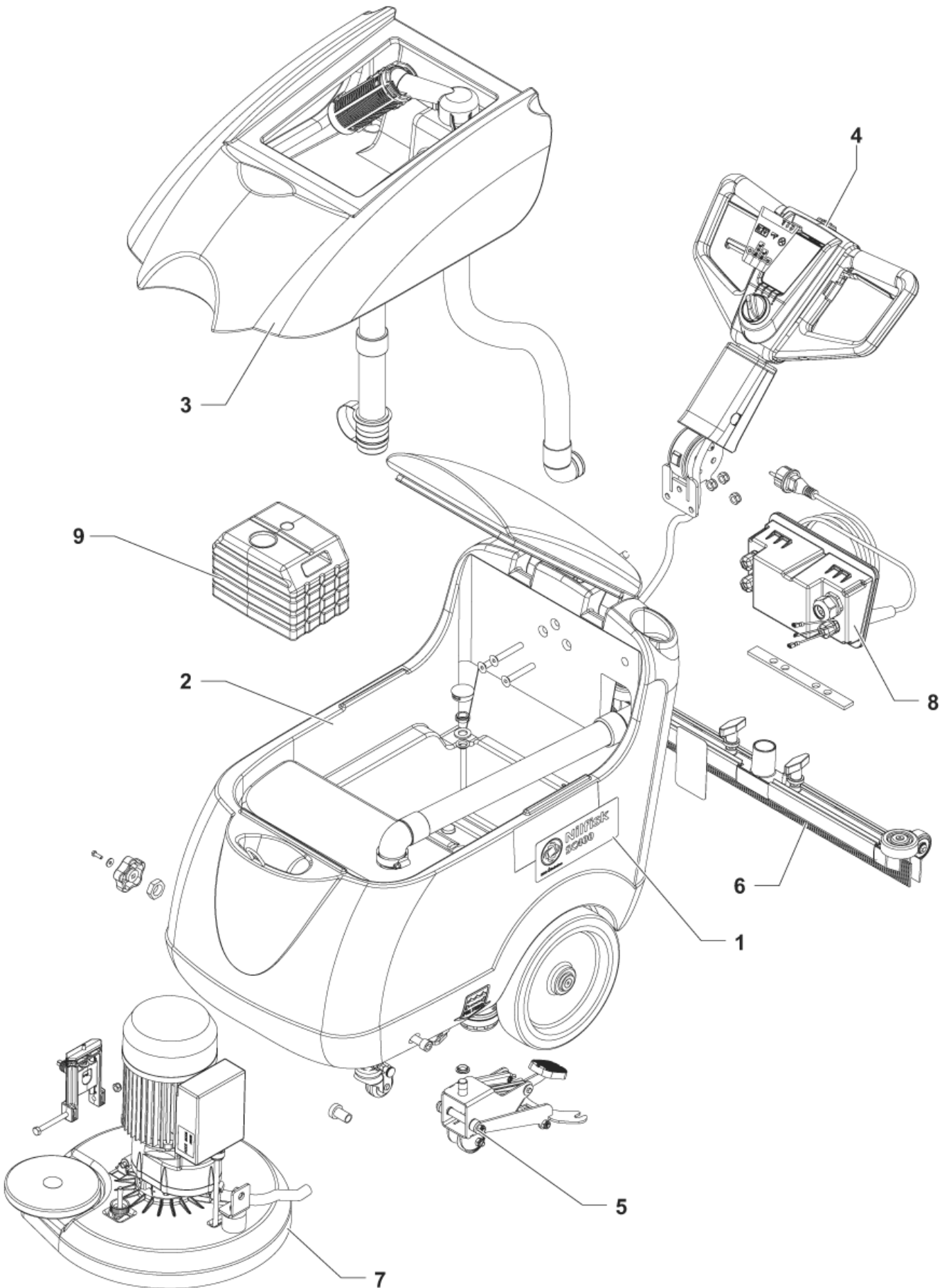
GENERAL SYSTEM

SC400 43 E

09-04-2015

Part List ID
SC400E000

3



GENERAL SYSTEM

SC400 43 E

09-04-2015

Part List ID
SC400E000

4

Pos	Part no.	Qty	Description
1	9099761000	1	DECALS SC400 NIL KIT
2		1	USE LINK
3		1	USE LINK
4		1	USE LINK
5		1	USE LINK
6		1	USE LINK
7		1	USE LINK
8		1	USE LINK
9	9099296000	1	WEIGHT CEMENT

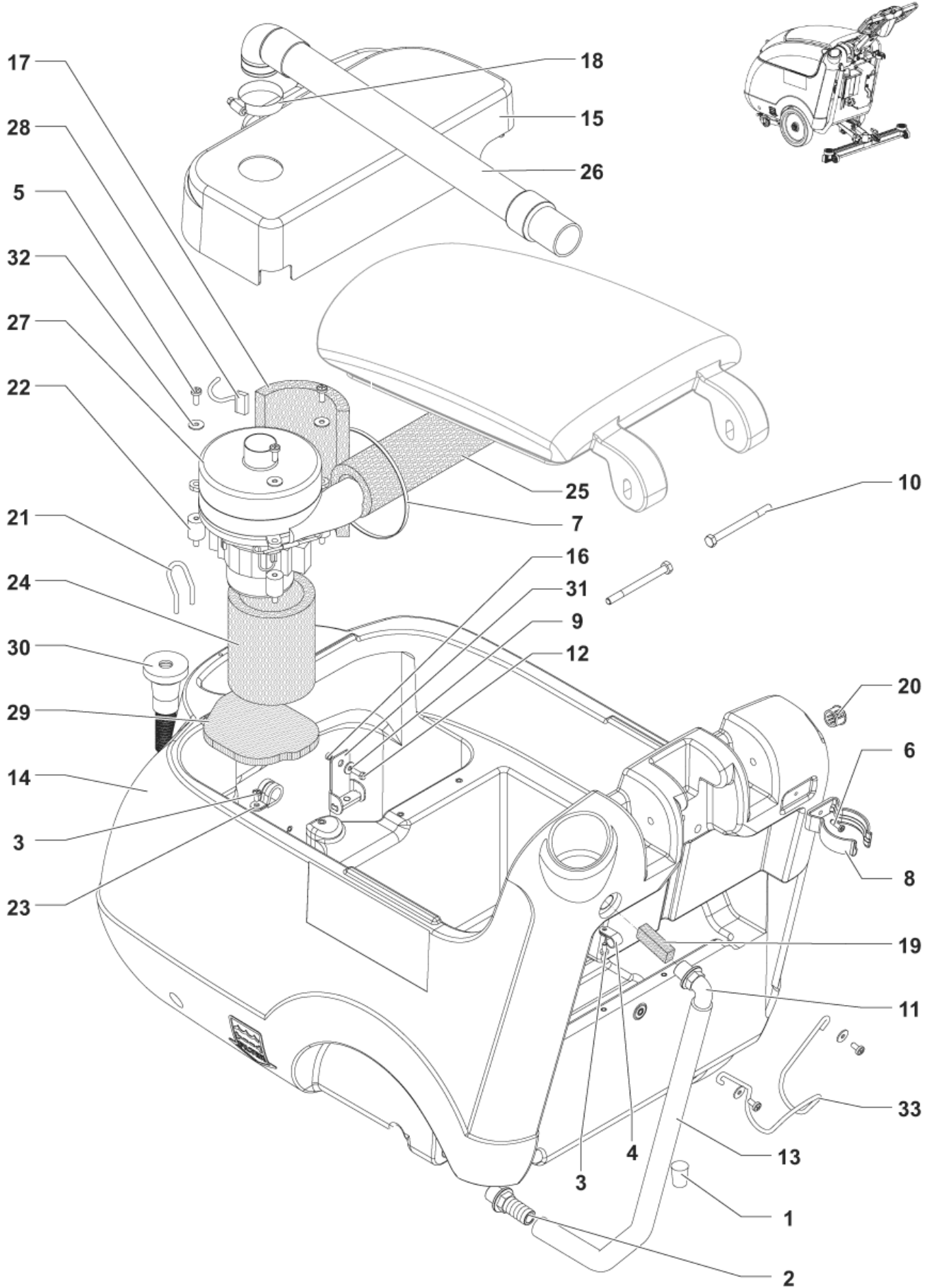
SOLUTION SYSTEM

SC400 43 E

09-04-2015

Part List ID
SC400E010

5



SOLUTION SYSTEM

SC400 43 E

09-04-2015

Part List ID
SC400E010

6

Pos	Part no.	Qty	Description	
2	910000574	1	FITTING STRAIGHT G1/2 D.20 KIT	
8	909 6380 000	1	CLAMP KIT	
11	9100001211	1	ELBOW 90 D.20 G1/2 M KIT	
13	9098446000	1	HOSE SOLUTION	
14	9098448000	1	TANK SOLUTION RAL 7016	
15	9098466000	1	COVER MOTOR	
17	9098801000	1	FILTER SOUND ABSORBENT	
18	145 0543 000	1	CLAMP 14/32-52	
19	9098802000	1	FILTER LEVEL WATER HOSE	
21	9099178000	1	SUPPORT BRUSH	
24	909 5564 000	1	PIPE ACOUSTIC INSULATION	
25	909 5565 000	1	PIPE ACOUSTIC INSULATION	
26	909 5579 000	1	HOSE VACUUM MOTOR	
27	909 5723 000	1	MOTOR VACUUM KIT	
28	909 5719 000	2	CARBON BRUSH	
29	9099184000	1	FILTER FOAM MOTOR	
30	9097290000	1	HOSE FILLING	
31	9099195000	1	SUPPORT ADJUSTING FRONT CPL	
33	9098444000	1	SUPPORT CABLE EXTENSION	
K1	9099763000	1	HARDWARE SOLUTION TANK KIT	NOT SHOWN (POS.1-3-4-5-6-7-9-10-12-16-20-22-23-32)

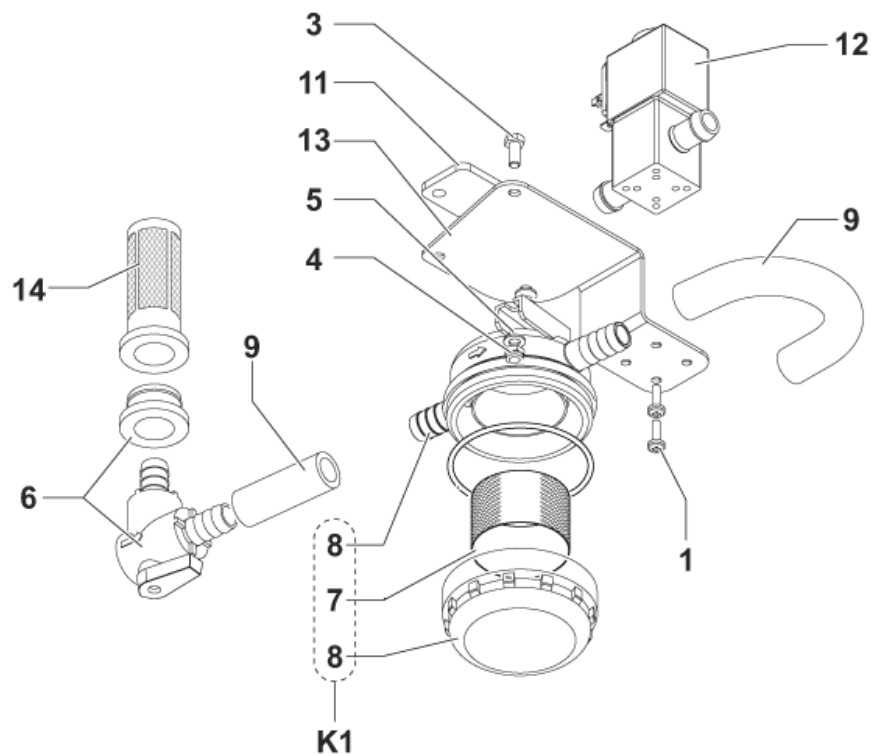
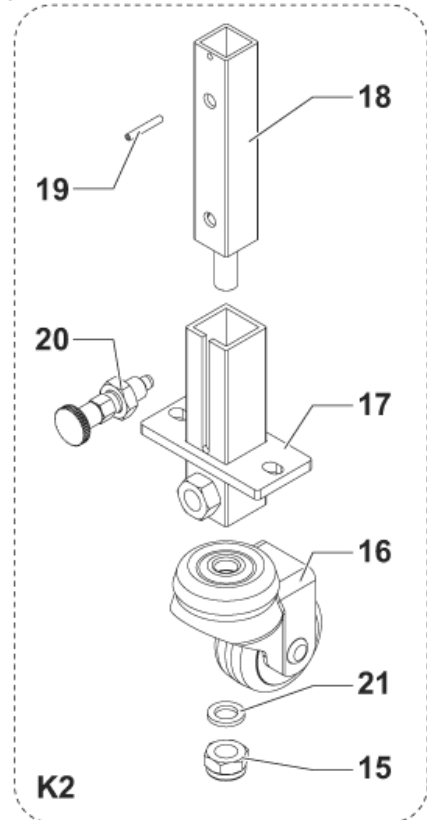
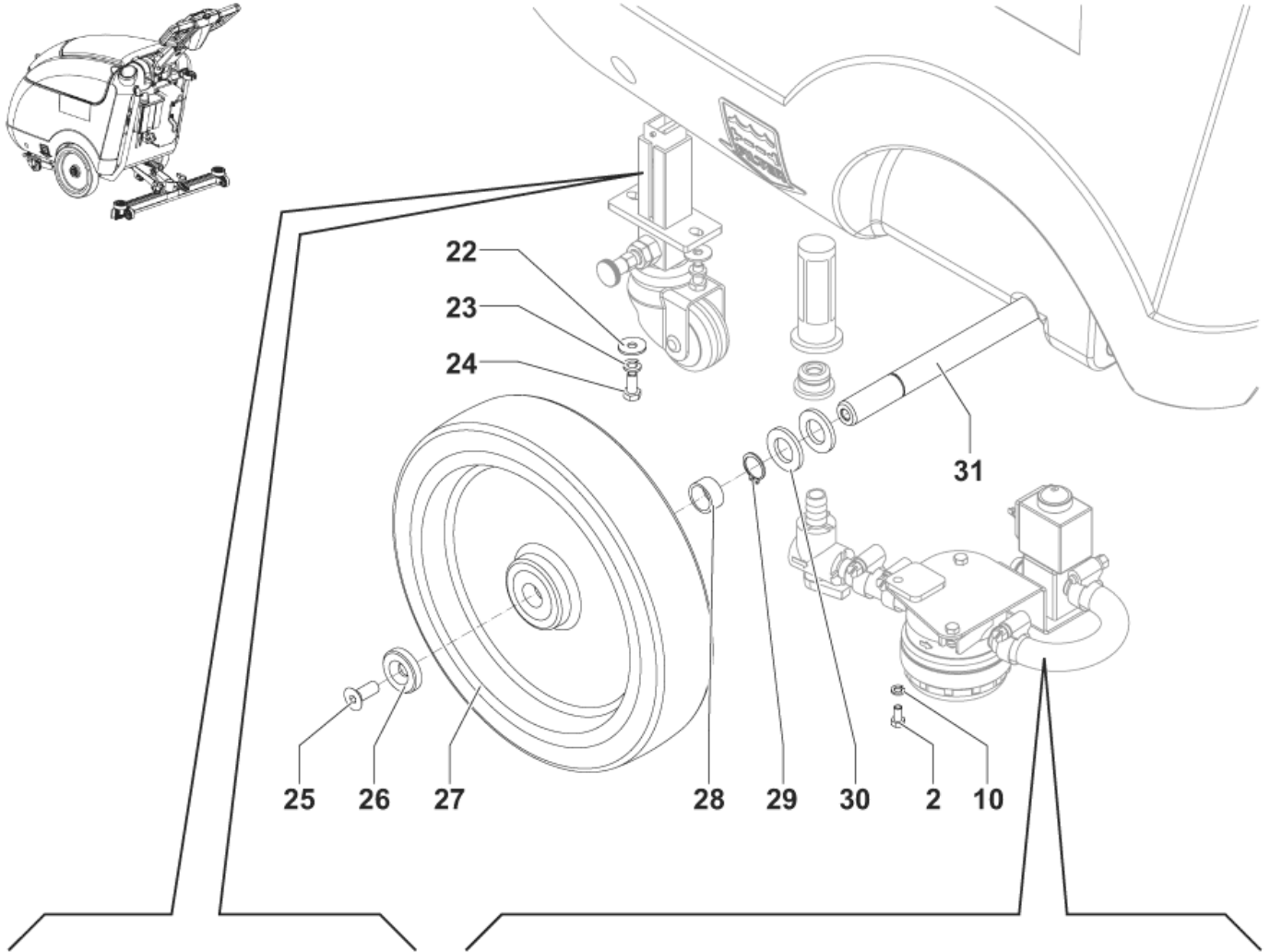
FILTER AND WHEELS SYSTEM

SC400 43 E

09-04-2015

Part List ID
SC400E020

7



FILTER AND WHEELS SYSTEM

SC400 43 E

09-04-2015

Part List ID
SC400E020

8

Pos	Part no.	Qty	Description	
0	9099481000	1	NET WATER FILTER REINFORCED	
6	9097626000	1	VALVE BALL ELBOW D.13 KIT	
7	9099481000	1	NET WATER FILTER REINFORCED	
9	9099778000	1	HOSE SOLUTION FILTER KIT	
11	9099200000	1	SPACER ADHESIVE RUBBER	
12	9099246000	1	SOLENOID VALVE 220-230V	
13	9099179000	1	SUPPORT FILTER AND SOLENOID VALVE	
14	9096916000	1	FILTER SOLUTION TANK	OPTION
27	9099410000	2	WHEEL D.250X50 GREY-BLACK	
K1	9100000362	1	FILTER WATER	(POS.7-8)
K2	9099705000	1	SUPPORT MACHINE ASSEMBLED PKD	(POS.15-16-17-18-19-20-21)
K3	9099765000	1	SHAFT WHEELS KIT	NOT SHOWN (POS.25-26-28-29-30-31)
K4	9099766000	1	HARDWARE FILTER AND SUPPORT KIT	NOT SHOWN (POS.1-2-3-4-5-10-22-23-24)

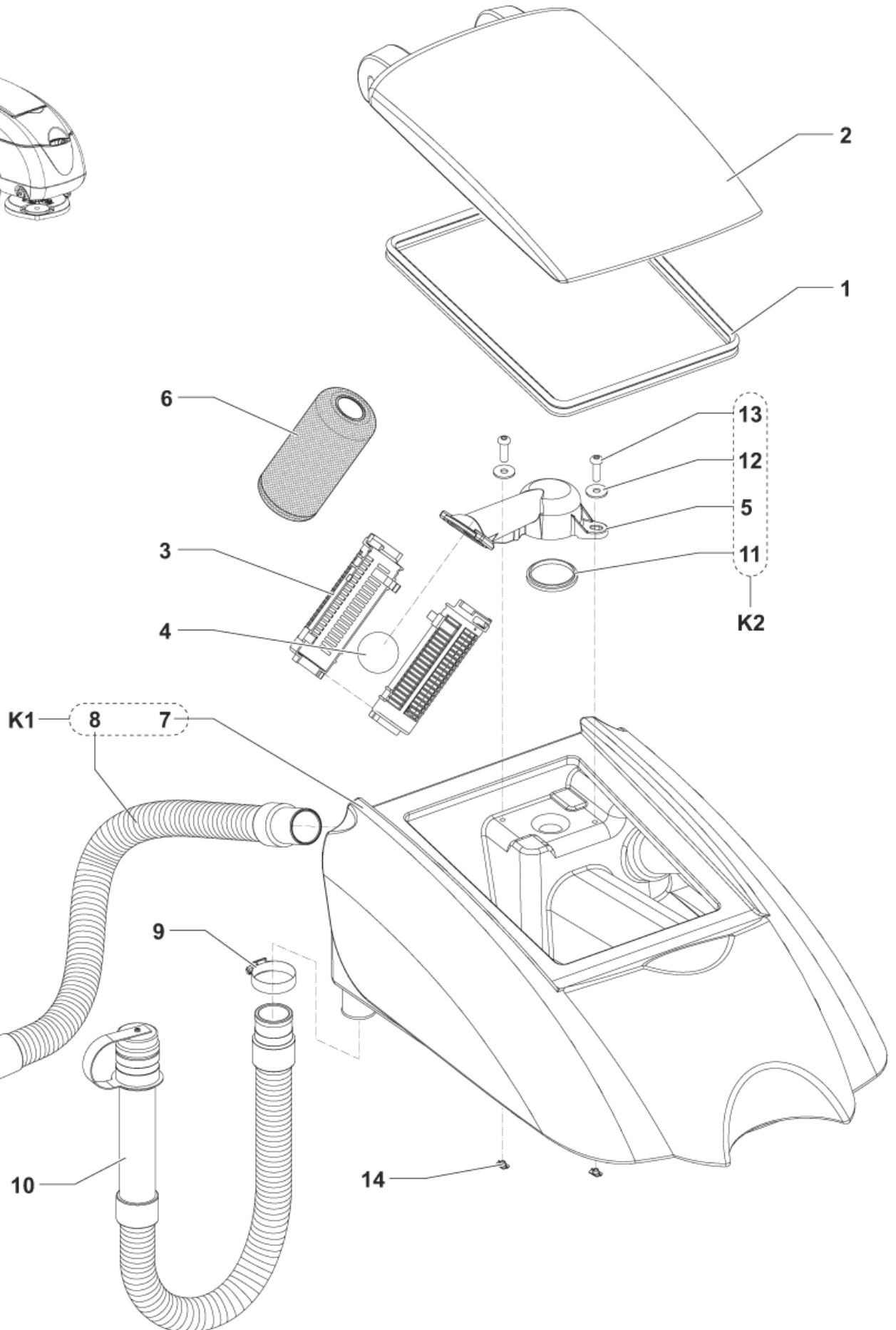
RECOVERY SYSTEM

SC400 43 E

09-04-2015

Part List ID
SC400E030

9



RECOVERY SYSTEM

SC400 43 E

09-04-2015

Part List ID
SC400E030

10

Pos	Part no.	Qty	Description
1	909 5716 000	1	GASKET BULB RUBBER L.1250MM PKD
2	909 5553 000	1	COVER TANKS
3	L08812259	2	CAGE FLOAT HALF
4	L08812373	1	BALL FLOATING
6	909 5065 000	1	FILTER ANTIFOAMING OPTION
8	910000646	1	HOSE SUCTION GREY PKD
9	145 0543 000	2	CLAMP 14/32-52
10	910000648	1	HOSE DRAIN GREY PKD
K1	909 6061 000	1	TANK RECOVERY KIT (POS.7-8)
K2	9099767000	1	SUPPORT FLOAT KIT (POS.5-11-12-13-14)

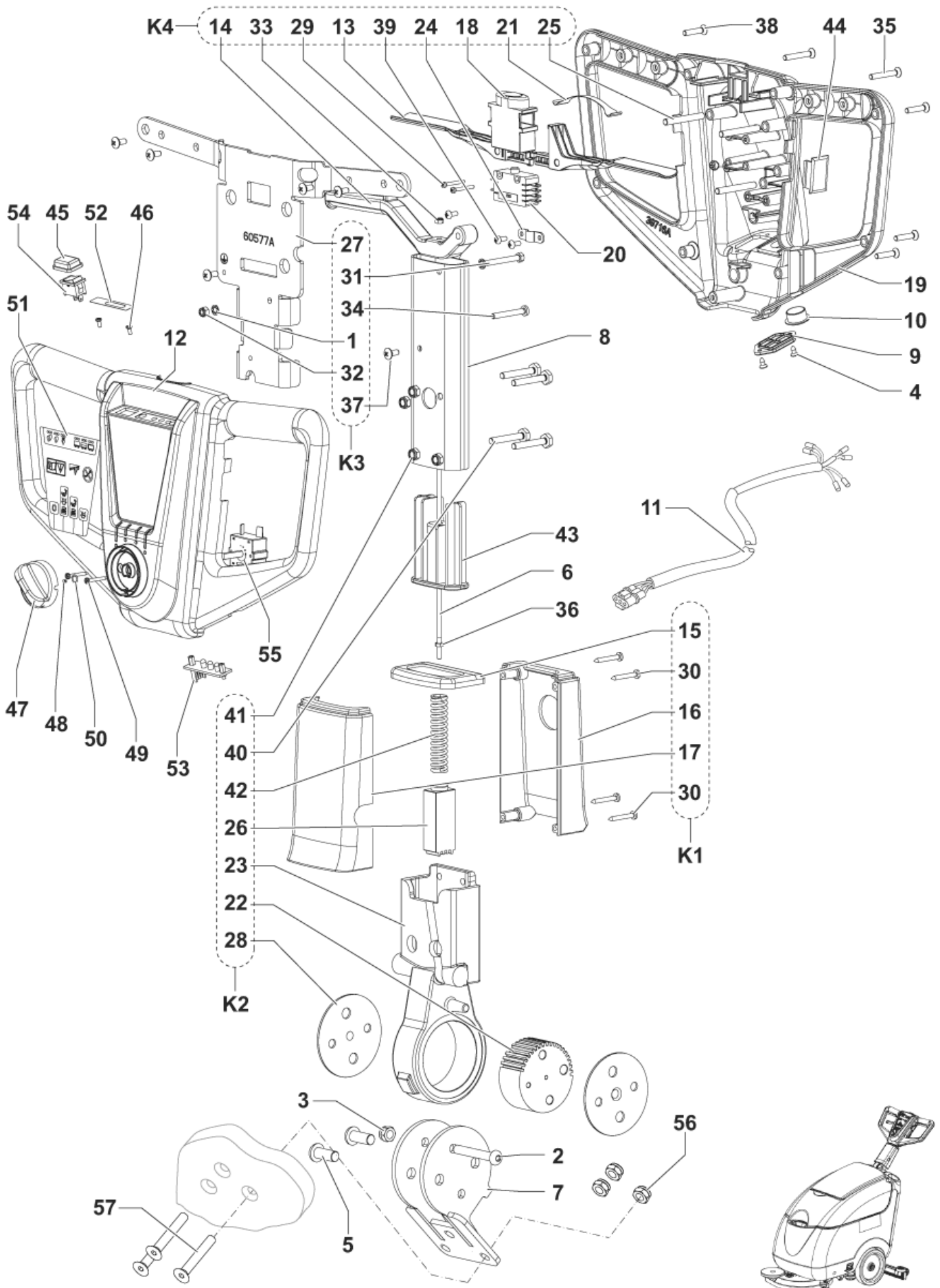
HANDLE SYSTEM

SC400 43 E

09-04-2015

Part List ID
SC400E040

11



HANDLE SYSTEM

SC400 43 E

09-04-2015

Part List ID
SC400E040

12

Pos	Part no.	Qty	Description	
6	9098805000	1	ROD HANDLE ADJUSTING	
7	9098806000	1	SUPPORT HANDLE	
8	9098808000	1	TUBE HANDLE	
9	9098812000	1	CAP FOR HANDLE	
10	9098813000	1	CAP D.18.5/D.24MM BLACK	
11	9099054000	2	CABLE HANDLE BAR	
12	9098530000	1	FRONT COVER OF HANDLE	
19	39716A	1	REAR COVER OF HANDLE	
20	40263A	1	SWITCH DPST	
36	VV13609	1	NUT M4	
43	VF47033	1	RETAINER	
44	VF54041	1	HANDLE PLUG	
45	L08603154	1	HJGH	
47	9097283000	1	KNOB CONTROL FUNCTIONS	
51	9098810000	1	DECAL CONTROL PANEL	
52	9098616000	1	DECAL BATTERY LED	
53	9099053000	1	CARD TWO-COLOURED LED	
54	9099107000	1	SWITCH SINGLE-POLE MOMENTARY	
55	9099332000	1	SWITCH ROTATIVE 4 POSITIONS	
K1	11271A	1	REAR AND FRONT COVER KIT	(POS.15-16-17-30)
K2	11272A	1	LOWER HOUSING KIT	(POS.22-23-26-28-40-41-42)
K3	11273A	1	HANDLE SUPPORT KIT	(POS.1-27-31-32-34-37)
K4	11274A	1	HANDLE SWITCH LEVER KIT	(POS.13-14-18-21-24-25-29-33-39)
K5	9099768000	1	HARDWARE HANDLE BAR KIT	NOT SHOWN (POS.2-3-4-5-35-38-46-48-49-50-56-57)

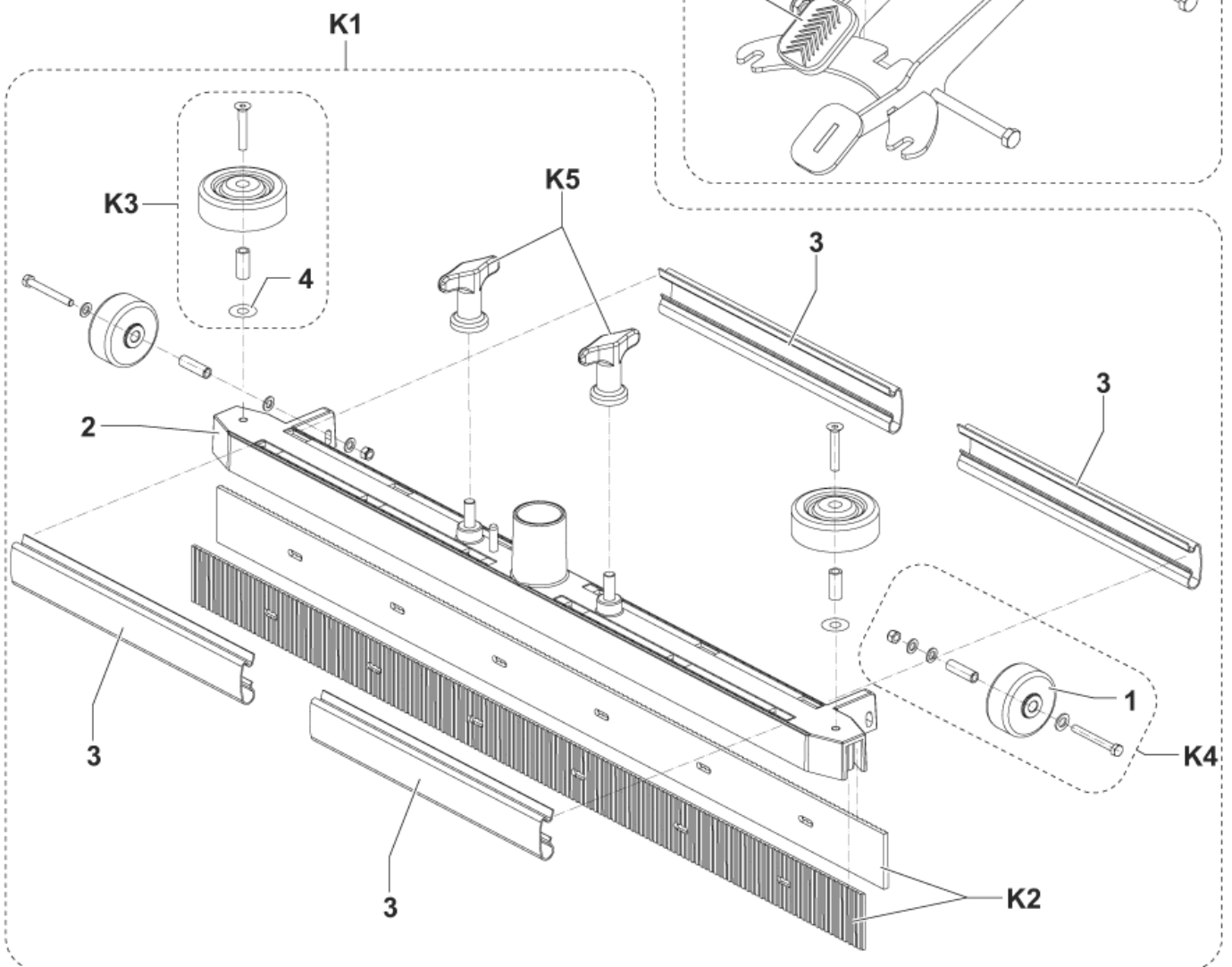
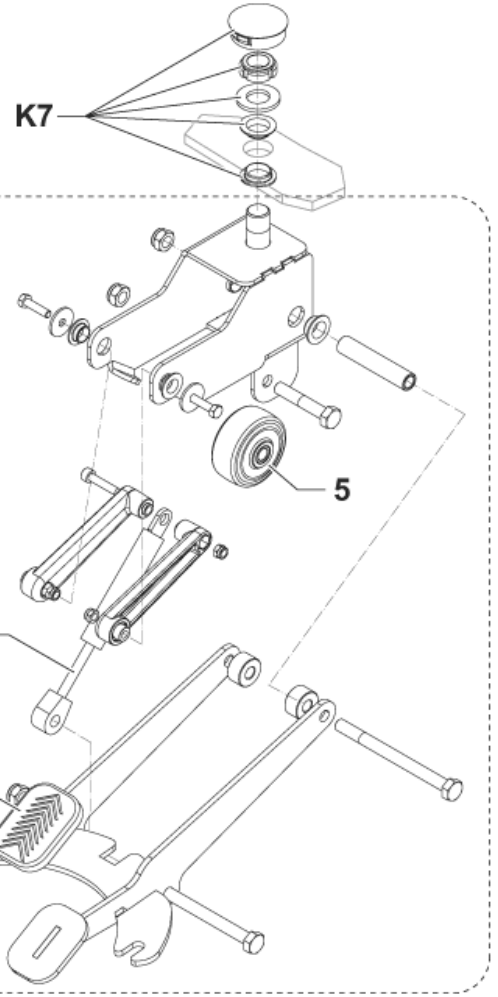
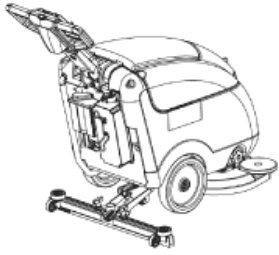
SQUEEGEE AND LIFT SYSTEM

SC400 43 E

09-04-2015

Part List ID
SC400E050

13



SQUEEGEE AND LIFT SYSTEM

SC400 43 E

09-04-2015

Part List ID
SC400E050

14

Pos	Part no.	Qty	Description	
1	910000559	2	WHEEL D.51 GREY PKD	
2	909 5554 000	1	SQUEEGEE ALUMINIUM 720MM/28	
3	910000651	4	PROFILE PLASTIC F SQUEEGEE BLADE PKD	use when 909 5555 000 is out of stock
3	910000651	1	PROFILE PLASTIC F SQUEEGEE BLADE PKD	use untill it is out of stock then order 91000006
4	L08603689	2	WASHER 6X18X1.5 UNI16593 SS	
5	910000556	1	WHEEL D.50 PKD	
6	9099106000	1	COVER PEDAL	
7	909 5637 000	1	SPRING GAS	
K1	909 5702 000	1	SQUEEGEE CPL STR.740MM/29 KIT	(POS.K1-K2-K3-K4-K5-2-3)
K2	9097354000	1	BLADE SQUEEGEE 720MM 28 PU KIT	
K3	L08603880	1	ROLLER BUMPER KIT	(POS.4)
K4	909 5703 000	2	WHEEL SQUEEGEE KIT	(POS.1)
K5	9097637000	1	SQUEEGEE FIXING KIT	
K6	9099769000	1	SUPPORT SQUEEGEE LIFT KIT	(POS.5-6-7)
K7	9099770000	1	FIXING SUPPORT SQUEEGEE KIT	

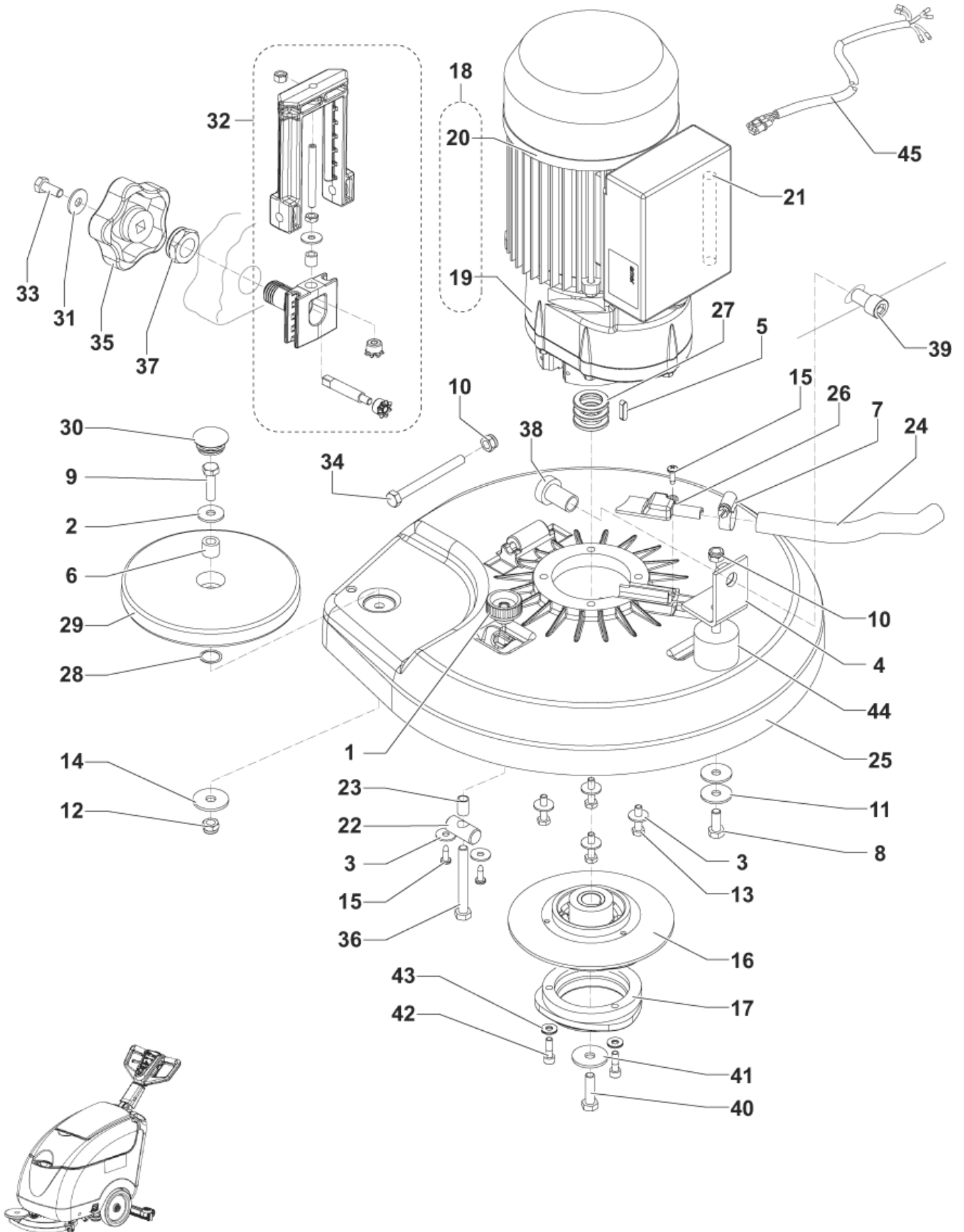
BRUSH SYSTEM

SC400 43 E

09-04-2015

Part List ID
SC400E060

15



BRUSH SYSTEM

SC400 43 E

09-04-2015

Part List ID
SC400E060

16

Pos	Part no.	Qty	Description
1	909 5964 000	1	KNOB M8
4	9099356000	1	BRACKET DECK SUPPORT
5	1466147000	1	KEY 5X5X20 UNI6604A PKD
16	L08812589	1	HUB BRUSH KIT
17	L08812480	1	HUB.BRUSH
18	9099951000	1	REDUCTION GEARMOTOR 1100W 230V KIT
19	9099055000	1	REDUCTION GEAR
20	909 5722 000	1	MOTOR ELECTRIC 1100W 230V
21	909 5931 000	1	CAPACITOR 450V 30UF RUN CAPACITOR
24	9099779000	1	HOSE BRUSH DECK KIT
25	9099093000	1	DECK BRUSH
26	9099190000	1	COVER F SOLUTION HOSE SUPPORT
29	L08812204	1	ROLLER BUMPER D.160 BLACK
32	9099771000	1	ADJUSTABLE DECK KIT
35	9098465000	1	HANDLE LOBE SQUARE HOLE
40	9100001269	1	HARDWARE HUB BRUSH KIT includes both 40 and 41
44	9100000868	1	VIBRATION DAMPING M8 60SH 2 PCS SET
45	9099141000	1	CABLE BRUSH MOTOR EU
K1	9099772000	1	HARDWARE BRUSH SYSTEM KIT NOT SHOWN (POS.3-6-7-8-9-10-11-12-13-14-15-22-23-2

Position 41 no more available as single spare, to be ordered pos.40: 9100001269 which includes both 40 and 41

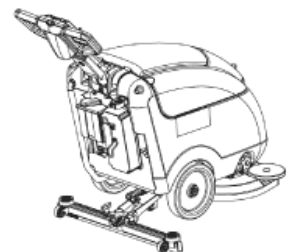
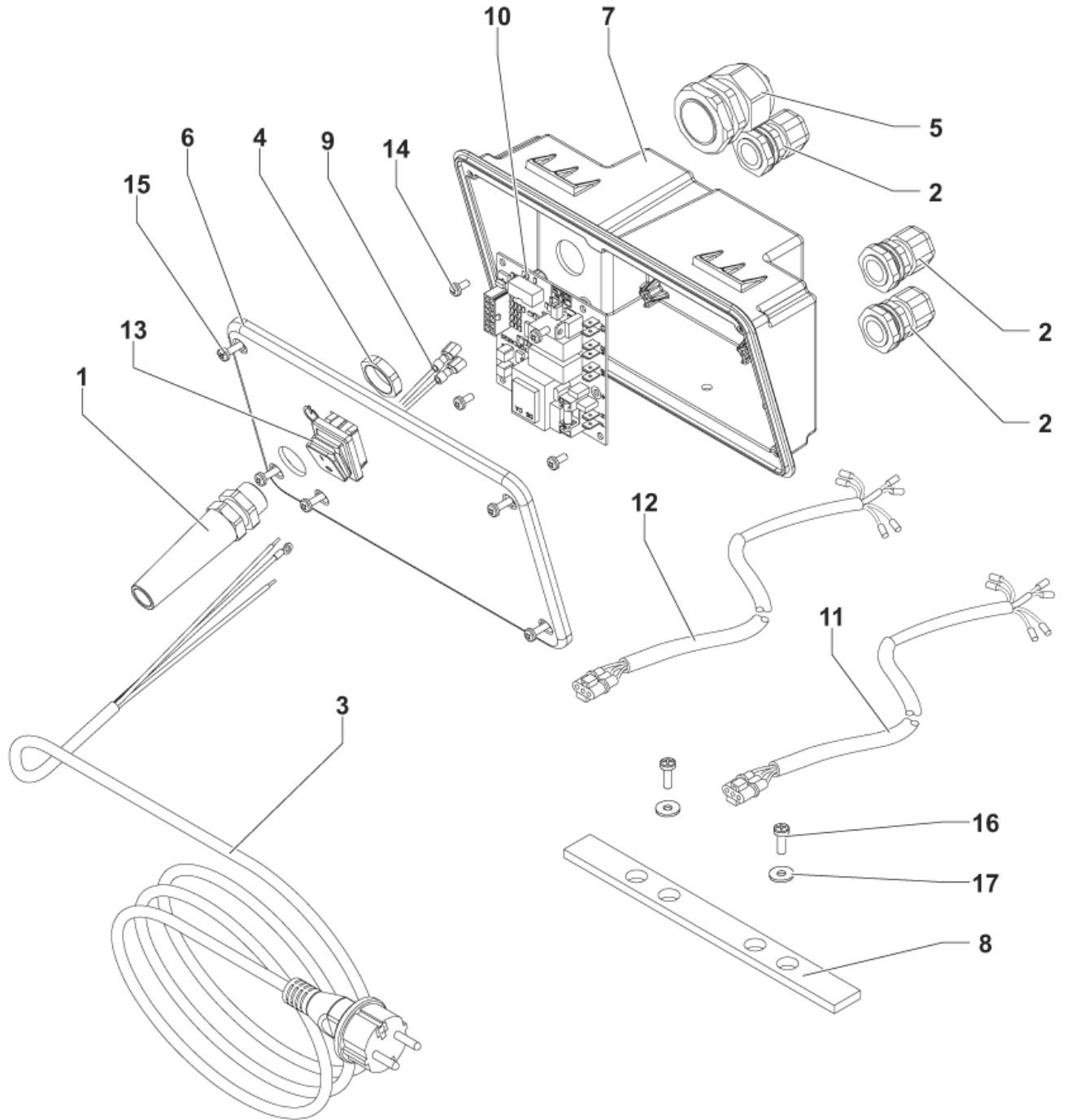
WIRING SYSTEM

SC400 43 E

09-04-2015

Part List ID
SC400E070

17



WIRING SYSTEM

SC400 43 E

09-04-2015

Part List ID
SC400E070

18

Pos	Part no.	Qty	Description
1	909 6656 000	1	CLAMP CABLE M 20X1.5
2	909 5648 000	3	CLAMP CABLE
3	909 6229 000	1	CABLE POWER SUPPLY ORANGE COLO
4	909 6657 000	1	RING NUT
5	9098463000	1	CABLE GLAND M32
8	9099030000	1	SPACER RUBBER ADHESIVE
9	9099090000	2	WIRE POWER SUPPLIER
10	9100000185	1	CARD ELECTRONIC FUNCTIONS EU PKD
11	9099142000	1	CABLE VACUUM MOTOR EU
12	9099143000	1	CABLE SOLENOID VALVE EU
13	9099357000	1	SWITCH DOUBLE-POLE
K1	9099774000	1	BOX ELECTRIC COMP. KIT
			NOT SHOWN (POS.6-7-14-15-16-17)

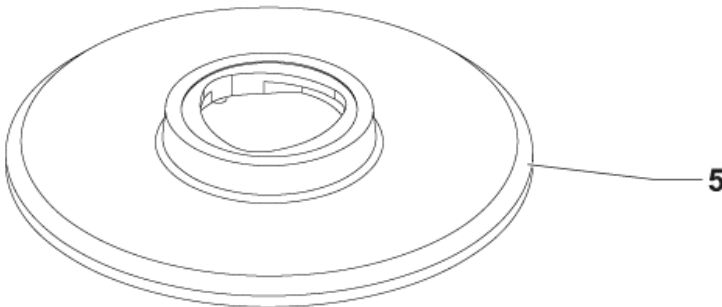
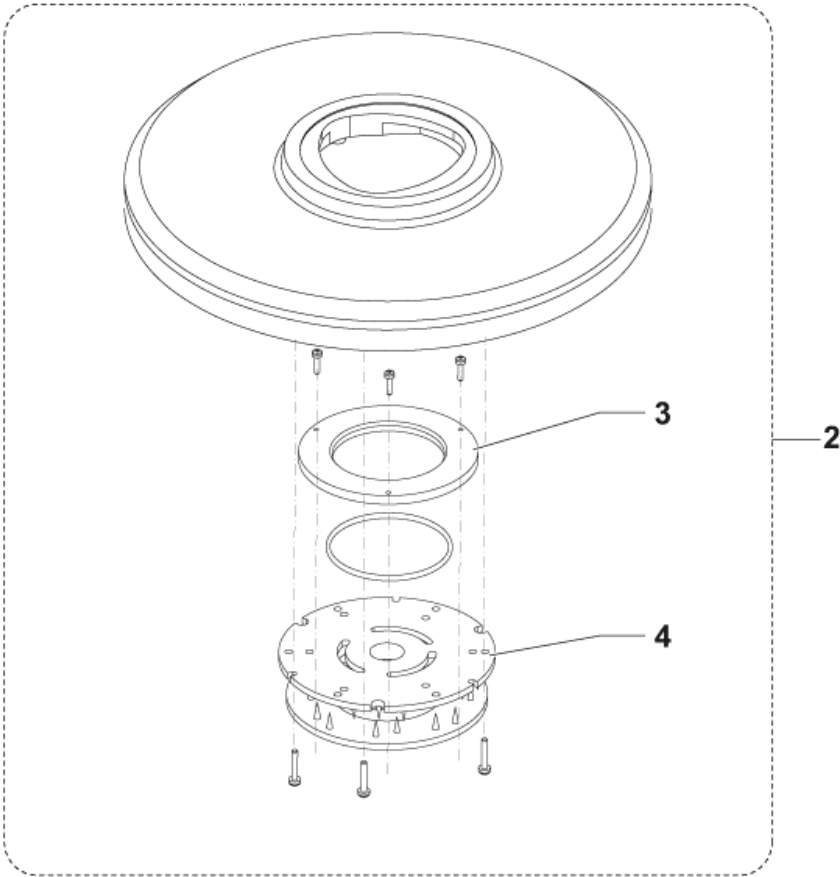
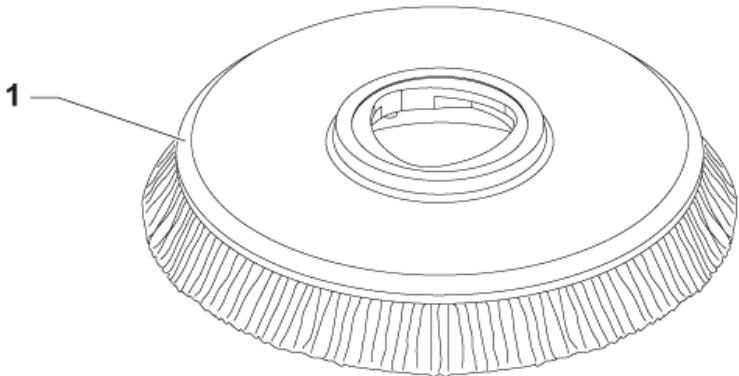
ACCESSORIES

SC400 43 E

09-04-2015

Part List ID
SC400E080

19



ACCESSORIES

SC400 43 E

09-04-2015

Part List ID
SC400E080

20

Pos	Part no.	Qty	Description	
1	909 5691 000	1	BRUSH DISC 430MM 17 MIDLITE GRIT 180	
1	909 5692 000	1	BRUSH DISC 430MM 17 MID GRIT 240	
1	909 5693 000	1	BRUSH DISC 430MM 17 PROLITE	
1	909 5694 000	1	BRUSH DISC 430MM 17 UNION MIX	
1	L08812891	1	BRUSH DISC 430MM 17 PROLENE	
2	9099669000	1	PAD HOLDER FLAT 17 432MM	
3	L08603966	1	RING NYLON	
4	56505195	1	PAD RETAINER	
4	L08603965	1	O-RING 2.62X82.22 -3325-NBR 40SH	
5	9099669000	1	PAD HOLDER FLAT 17 432MM	
6	10001936	1	PAD 17 432MM ECO WHITE 5PCS	NOT SHOWN
6	10001937	1	PAD 17 432MM ECO TAN 5PCS	NOT SHOWN
6	10001938	1	PAD 17 432MM ECO BLACK 5PCS	NOT SHOWN
6	10001939	1	PAD 17 432MM ECO BLUE 5PCS	NOT SHOWN
6	10001940	1	PAD 17 432MM ECO GREEN 5PCS	NOT SHOWN
6	10001941	1	PAD 17 432MM ECO RED 5PCS	NOT SHOWN
6	10002336	1	PAD 17 432MM ECO BRILLIANCE RED 2PCS	NOT SHOWN
6	10002337	1	PAD 17 432MM ECO BRILLIANCE BLUE 2PCS	NOT SHOWN
6	10002338	1	PAD 17 432MM ECO BRILLIANCE YELLOW 2PCS	NOT SHOWN
6	10002339	1	PAD 17 432MM ECO BRILLIANCE GREEN 2PCS	NOT SHOWN

RECOMMENDED SPARE PARTS

SC400 43 E

09-04-2015

Part List ID
SC400E090

21

No Drawing For Part List

RECOMMENDED SPARE PARTS

SC400 43 E

09-04-2015

Part List ID
SC400E090

22

Pos	Part no.	Qty	Description	
0	145 0543 000	2	CLAMP 14/32-52	E O M
0	40263A	1	SWITCH DPST	E O M
0	909 5554 000	1	SQUEEGEE ALUMINIUM 720MM/28	E O M
0	909 5637 000	1	SPRING GAS	E O M
0	909 5703 000	2	WHEEL SQUEEGEE KIT	OM
0	909 5716 000	1	GASKET BULB RUBBER L.1250MM PKD	OM
0	909 5719 000	2	CARBON BRUSH	OM
0	909 5723 000	1	MOTOR VACUUM KIT	OM
0	909 5931 000	1	CAPACITOR 450V 30UF	E O M
0	909 6229 000	1	CABLE POWER SUPPLY ORANGE COLO	OM
0	909 6380 000	1	CLAMP KIT	E O M
0	9097354000	1	BLADE SQUEEGEE 720MM 28 PU KIT	NW
0	9097626000	1	VALVE BALL ELBOW D.13 KIT	E O M
0	9098446000	1	HOSE SOLUTION	E O M
0	9099106000	1	COVER PEDAL	OM
0	9099107000	1	SWITCH SINGLE-POLE MOMENTARY	E O M
0	9099246000	1	SOLENOID VALVE 220-230V	E O M
0	9099332000	1	SWITCH ROTATIVE 4 POSITIONS	E O M
0	9099357000	1	SWITCH DOUBLE-POLE	E O M
0	9099705000	1	SUPPORT MACHINE ASSEMBLED PKD	E O M
0	9099771000	1	ADJUSTABLE DECK KIT	E O M
0	9099951000	1	REDUCTION GEARMOTOR 1100W 230V KIT	E O M
0	910000185	1	CARD ELECTRONIC FUNCTIONS EU PKD	E O M
0	910000362	1	FILTER WATER	OM
0	910000559	1	WHEEL D.51 GREY PKD	OM
0	910000646	1	HOSE SUCTION GREY PKD	OM
0	910000651	4	PROFILE PLASTIC F SQUEEGEE BLADE PKD	E O M
0	910000868	1	VIBRATION DAMPING M8 60SH 2 PCS SET	OM
0	L08603880	1	ROLLER BUMPER KIT	OM
0	L08812480	1	HUB.BRUSH	OM
0	L08812891	1	BRUSH DISC 430MM 17 PROLENE	NW