



Illustrated Parts List

Pro Max 9000EA



Model

Mfg. No.	Description
030409-0	ProMax 9000EA CE
030410-0	ProMax 9000EA UK
030411-0	ProMax 9000EA AU
030412-0	ProMax 9000EA MEA

Manual Part No. 103989GS

Revision E

Rev. Date: 1/4/2012

Not for
Reproduction

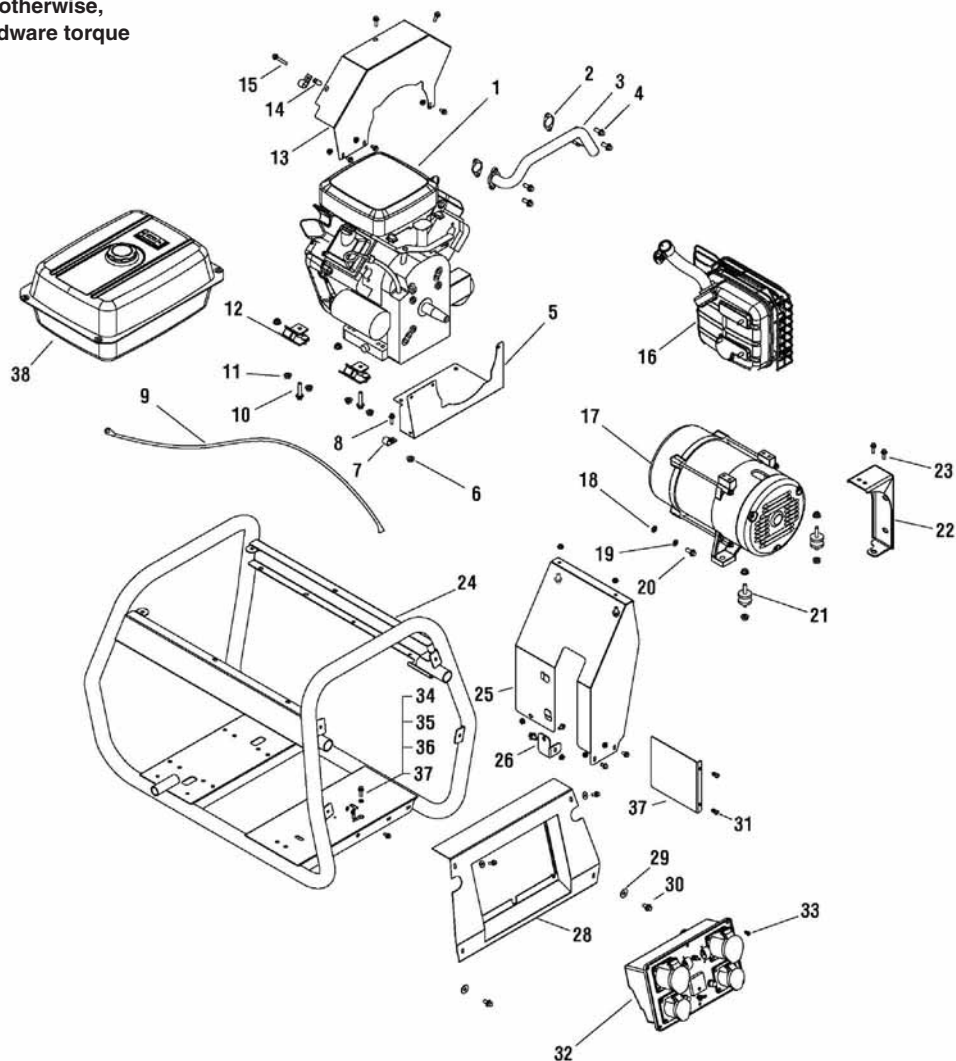
PRODUCT COMPONENTS	PAGES
Main Unit	4
Alternator	6
Cradle	7
Fuel Tank	8
Exhaust and Fittings	9
Battery & Tray	10
Control Panel - AU	11
Control Panel - CE / MEA	12
Control Panel - UK	13
Decals	14
Torque Specification Chart	Inside Back Cover

Not for
Reproduction

Main Unit

0001

NOTE: Unless noted otherwise, use the standard hardware torque specification chart.



REF.	PART NO.	DESCRIPTION	REF.	PART NO.	DESCRIPTION
1	305447-0175-G1	** ENGINE, 16HP, 50hz, Vanguard	18	----	* WASHER, 10mm
2	691613	GASKET, Muffler	19	----	* WASHER, Spring, 10mm
3	692061	MANIFOLD, Exhaust	20	----	* BOLT, Hex, 3/8-35 (unc)
4	691902	KIT, Screw & Washer, M8 x 20	21	103714GS	MOUNT, Vibration
5	103716GS	DUCTING PANEL, Lower	22	103776GS	BRACKET, Muffler
6	----	* NUT, Hex, M6	23	----	* BOLT, Hex, M8 x 20mm
7	103948GS	CLIP	24	103712GS	CRADLE, PM9000/7500
8	----	* BOLT, Hex, M6 x 12mm	25	103882GS	HEAT SHIELD, Muffler
9	103949GS	CABLE, Low Oil Shut down	26	103778GS	BRACKET, Heat Shield
10	----	* BOLT, Hex, M8 x 35mm	27	103777GS	PLATE, Heat Shield
11	----	* NUT, M8	28	103720GS	PANEL, Support
12	103713GS	MOUNT, Vibration, Engine	29	----	* WASHER, 6mm
13	103715GS	DUCTING PANEL, Upper	30	----	* BOLT, Hex, M6 x 12mm
14	103950GS	SPACER, 6 x 25	31	----	* SCREW, Self Tapping, 5.5 x 13mm
15	----	* BOLT, Hex, M6 x 35mm	32	103883GS	ASSEMBLY, Control Panel (AU)
16	103593GS	KIT, Muffler			
17	103710GS	ALTERNATOR, 7Kkw			

Footnotes

* Items without part numbers are common fasteners and are available at local hardware stores.

** For Replacement, Contact Engine Manufacturer

The above parts group applies to the following Mfg. Nos.:

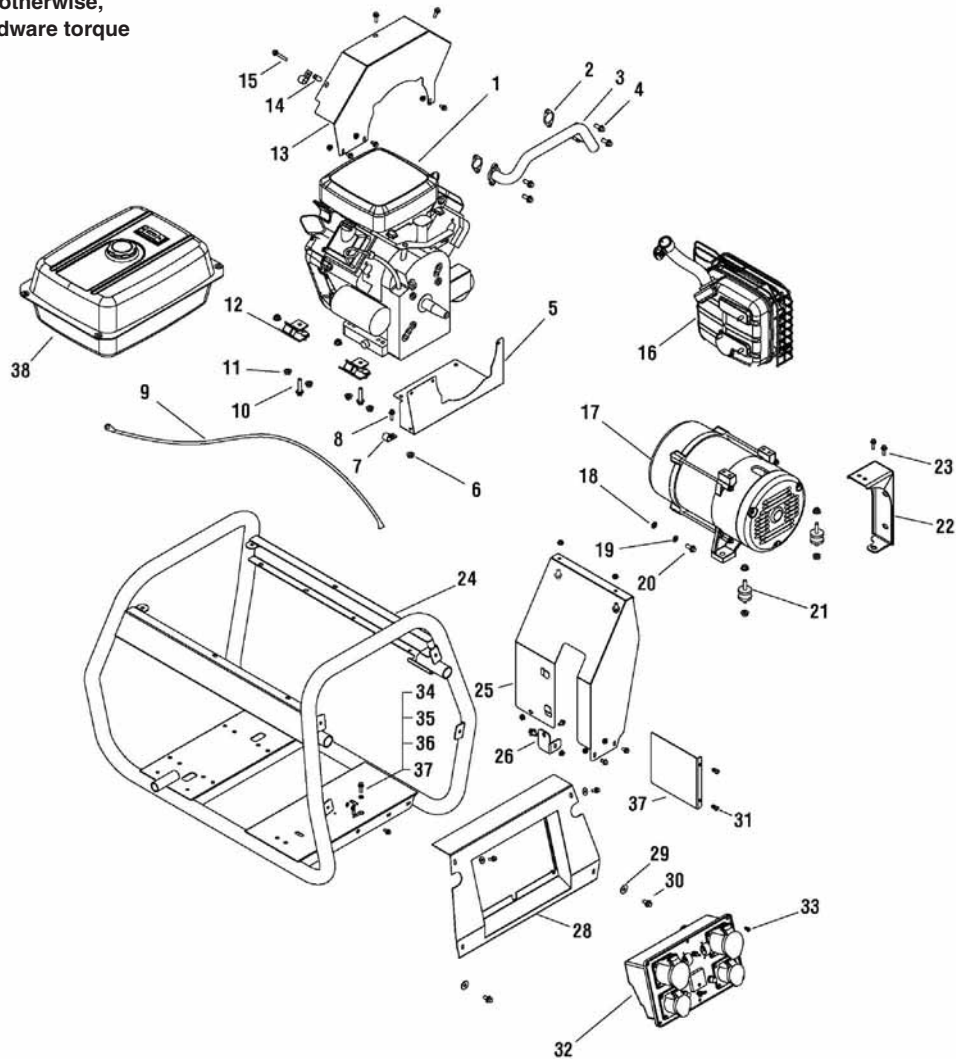
030409-0 - ProMax 9000EA CE
030410-0 - ProMax 9000EA UK

030411-0 - ProMax 9000EA AU
030412-0 - ProMax 9000EA MEA

Main Unit

0001

NOTE: Unless noted otherwise, use the standard hardware torque specification chart.



REF.	PART NO.	DESCRIPTION	REF.	PART NO.	DESCRIPTION
32	103719GS	ASSEMBLY, Control Panel (CE & MEA)			
32	103849GS	ASSEMBLY, Control Panel (UK)			
33	----	* SCREW, M6 x 16mm			
34	----	* SCREW, Hex, st5.5 x 20mm			
35	----	* WASHER, 6mm			
36	----	* WASHER, 5mm			
37	103665GS	GROUNDING WIRE, 10cm			
38	103770GS	TANK, Fuel, 16L			

Footnotes

* Items without part numbers are common fasteners and are available at local hardware stores.

** For Replacement, Contact Engine Manufacturer

The above parts group applies to the following Mfg. Nos.:

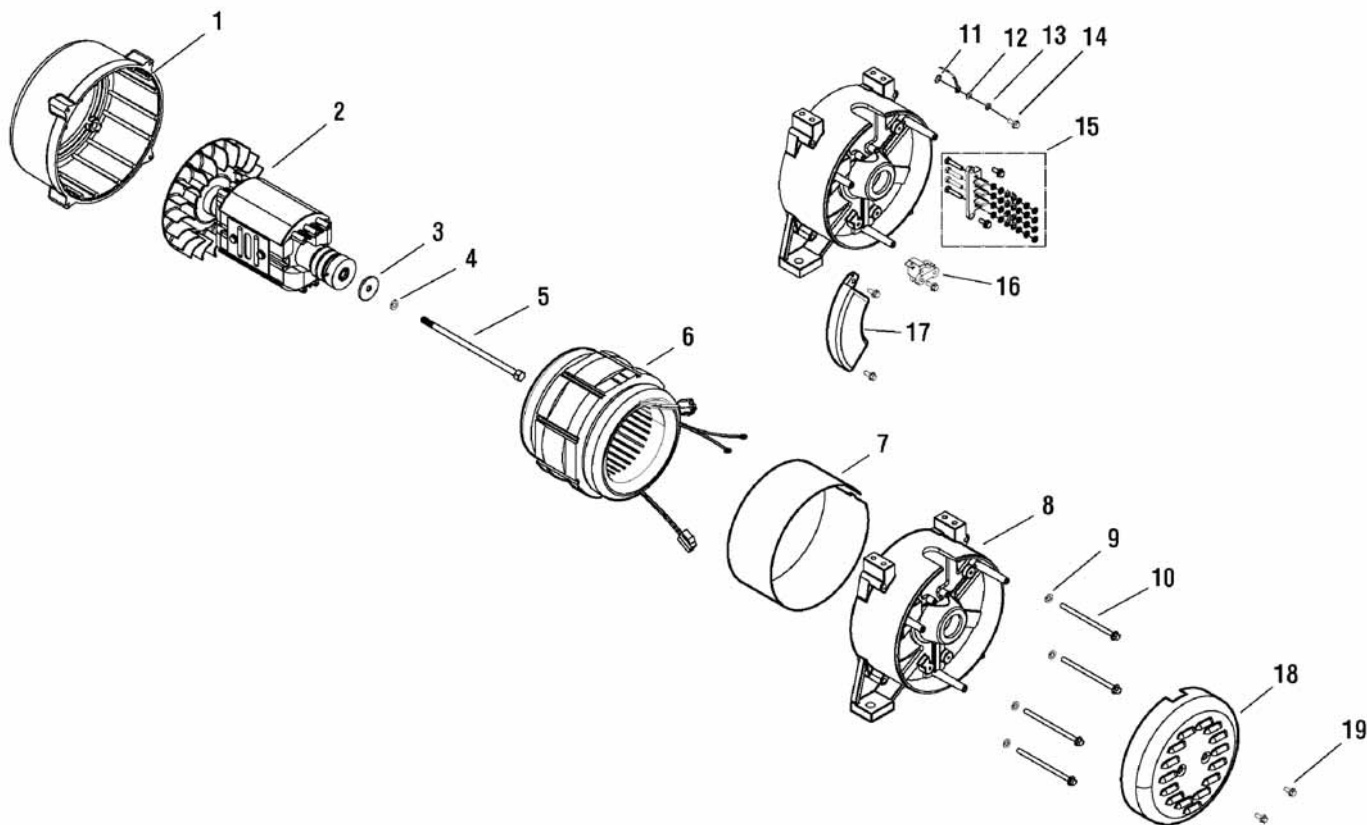
030409-0 - ProMax 9000EA CE
030410-0 - ProMax 9000EA UK

030411-0 - ProMax 9000EA AU
030412-0 - ProMax 9000EA MEA

Alternator

0002

NOTE: Unless noted otherwise, use the standard hardware torque specification chart.



REF. PART NO.	DESCRIPTION	REF. PART NO.	DESCRIPTION
1	103789GS CASTING, Front	18	103846GS REAR COVER
2	103791GS ASSEMBLY, Rotor, 7.0kw	19	----- * SCREW, Hex, M5 x 12mm
3	----- * WASHER, 10mm		
4	----- * WASHER, Spring, 10mm		
5	103866GS BOLT, Flange, 5/16-24 x 260mm (unc)		
6	103792GS ASSEMBLY, Stator, 7.0kw		
7	103868GS ALTERNATOR BAND		
8	103790GS CASTING, Rear		
9	----- * WASHER, Spring, 6mm		
10	103867GS BOLT, Hex, M6 x 200mm		
11	----- * WASHER, 5mm		
12	----- * WASHER, 5mm		
13	----- * WASHER, Spring, 5mm		
14	----- * SCREW, Hex, M5 x 12mm		
15	103649GS ASSEMBLY, Terminal Block		
16	103848GS ASSEMBLY, Carbon brush		
17	103847GS AVR, 6KW-7KW		

Footnotes

* Items without part numbers are common fasteners and are available at local hardware stores.

The above parts group applies to the following Mfg. Nos.:

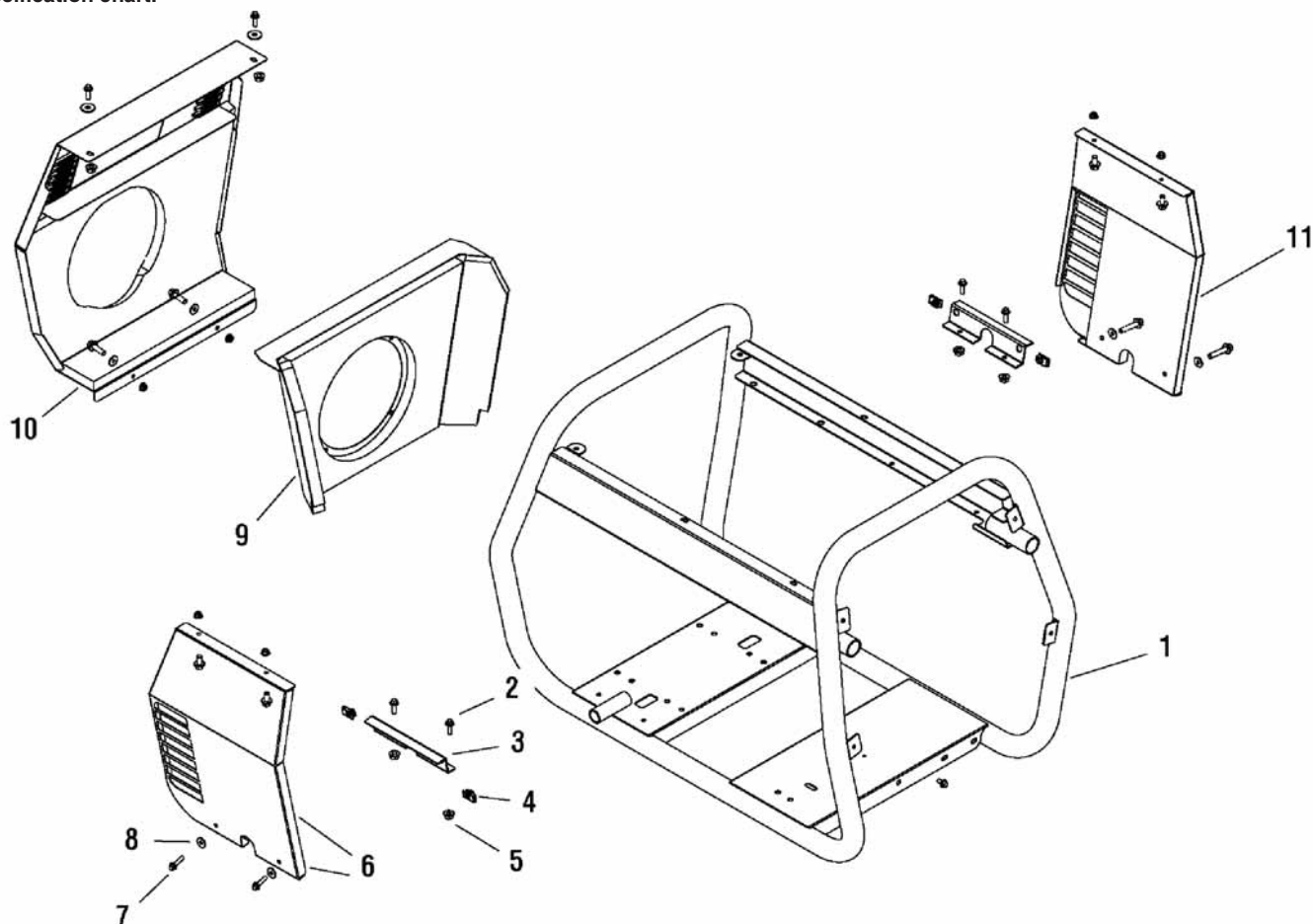
030409-0 - ProMax 9000EA CE
030410-0 - ProMax 9000EA UK

030411-0 - ProMax 9000EA AU
030412-0 - ProMax 9000EA MEA

Cradle

0003

NOTE: Unless noted otherwise, use the standard hardware torque specification chart.



REF. PART NO.	DESCRIPTION	REF. PART NO.	DESCRIPTION
1	103712GS CRADLE		
2	----- * BOLT, M6 x 12mm		
3	103784GS BRACKET, Acoustic Side Panel		
4	----- * NUT, U-Shaped		
5	----- * NUT		
6	103951GS PANEL, Acoustic, Side 1 And Foam		
7	----- * BOLT, Hex, M6 x 35mm		
8	----- * WASHER, 6mm		
9	103957GS DUCT PANEL AND FOAM		
10	103958GS END PANEL AND FOAM		
11	103952GS PANEL, Acoustic, Side 2 And Foam		

Footnotes

* Items without part numbers are common fasteners and are available at local hardware stores.

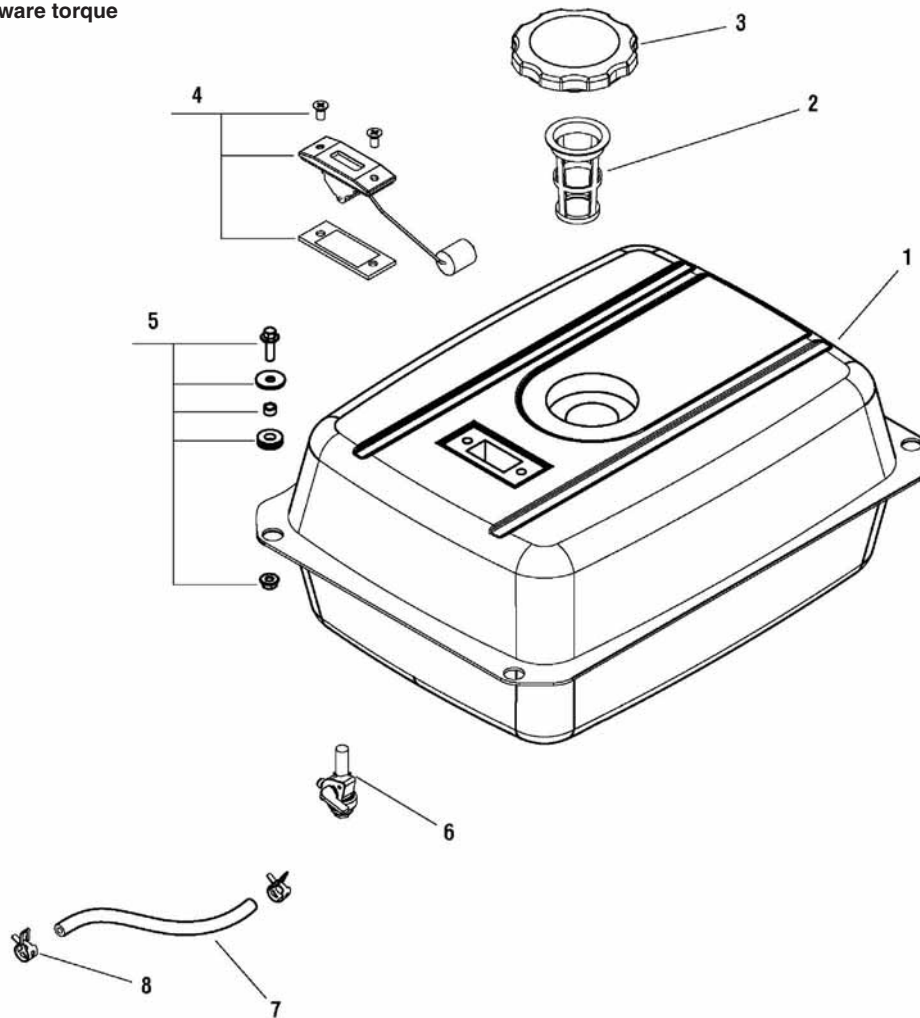
The above parts group applies to the following Mfg. Nos.:

030409-0 - ProMax 9000EA CE
030410-0 - ProMax 9000EA UK

Fuel Tank

0005

NOTE: Unless noted otherwise, use the standard hardware torque specification chart.



REF.	PART NO.	DESCRIPTION	REF.	PART NO.	DESCRIPTION
1	103770GS	TANK, Fuel, 16L			
2	104911GS	FILTER CUP			
3	103632GS	CAP, Fuel Tank			
4	103655GS	ASSEMBLY, Fuel Gauge			
5	103656GS	KIT, Mounting			
6	103679GS	CONNECTOR, Fuel Tank			
7	----	FUEL PIPE, 6.5mm x 400mm			
8	103772GS	CLAMP, Fuel Pipe			

Footnotes

The above parts group applies to the following Mfg. Nos.:

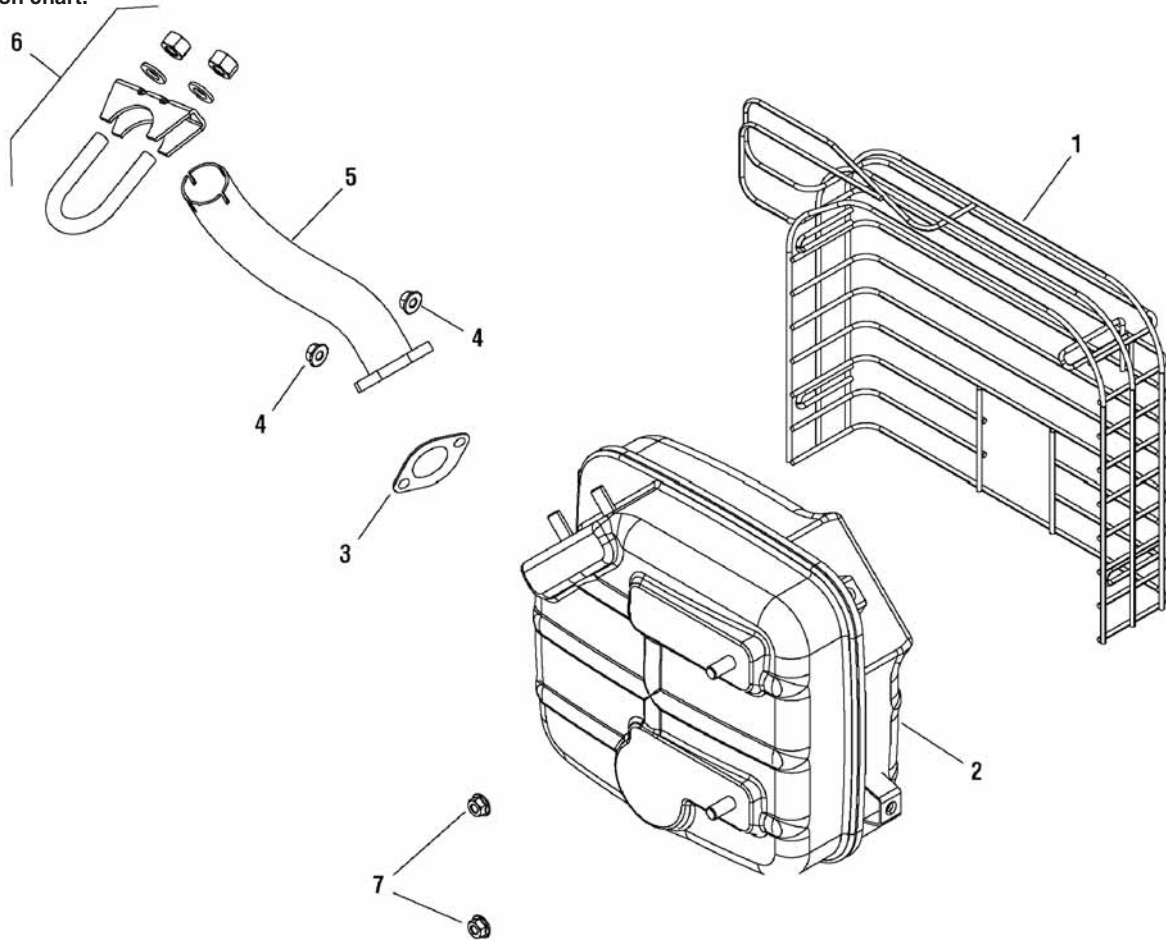
030409-0 - ProMax 9000EA CE
030410-0 - ProMax 9000EA UK

030411-0 - ProMax 9000EA AU
030412-0 - ProMax 9000EA MEA

Exhaust and Fittings

0008

NOTE: Unless noted otherwise, use the standard hardware torque specification chart.



REF.	PART NO.	DESCRIPTION	REF.	PART NO.	DESCRIPTION
1	103302GS	GUARD, Muffler			
2	103303GS	MUFFLER BODY, QGS			
3	710250	GASKET, Muffler			
4	710090	NUT, Flange, M8			
5	103591GS	MANIFOLD, Exhaust, QGS			
6	103592GS	MUFFLER CLAMP ASSEMBLY			
7	----	* NUT, M8			

Footnotes

* Items without part numbers are common fasteners and are available at local hardware stores.

The above parts group applies to the following Mfg. Nos.:

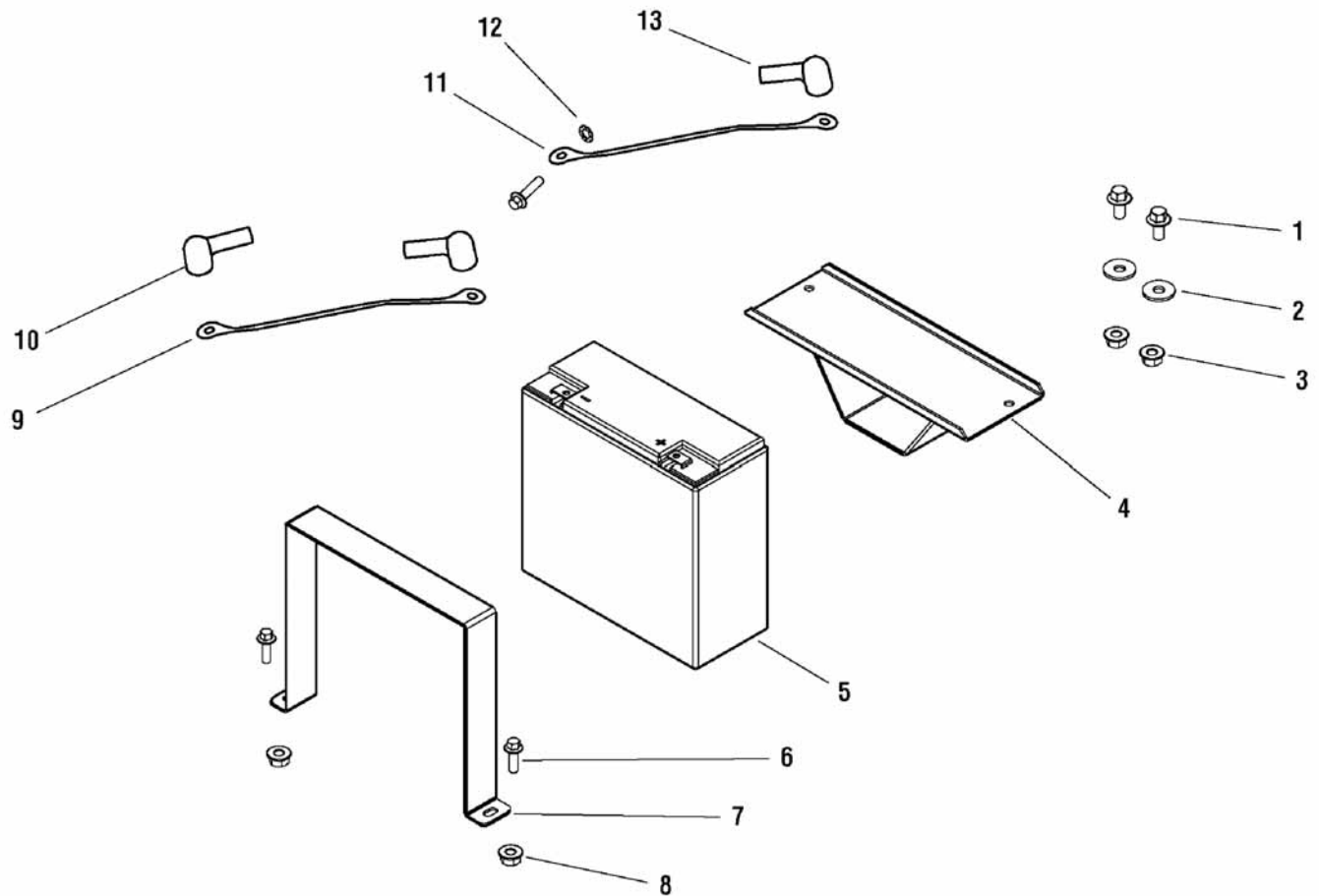
030409-0 - ProMax 9000EA CE
030410-0 - ProMax 9000EA UK

030411-0 - ProMax 9000EA AU
030412-0 - ProMax 9000EA MEA

Battery & Tray

0004

NOTE: Unless noted otherwise,
use the standard hardware torque
specification chart.



REF. PART NO.	DESCRIPTION	REF. PART NO.	DESCRIPTION
1	* BOLT, Hex, M8 x 12mm		
2	* WASHER, 8mm		
3	* NUT, M8		
4	103756GS TRAY, Battery		
5	103774GS BATTERY, 18AH, Gaston		
6	* BOLT, Hex, M6 x 20mm		
7	103757GS STRAP, Battery		
8	* NUT, M6		
9	103739GS CABLE, Battery, Black, 300mm		
10	103737GS CAP, Insulation, Black		
11	103740GS CABLE, Battery, Red, 500mm		
12	* WASHER		
13	103738GS CAP, Insulation, Red		

Footnotes

* Items without part numbers are common fasteners and are available at local hardware stores.

The above parts group applies to the following Mfg. Nos.:

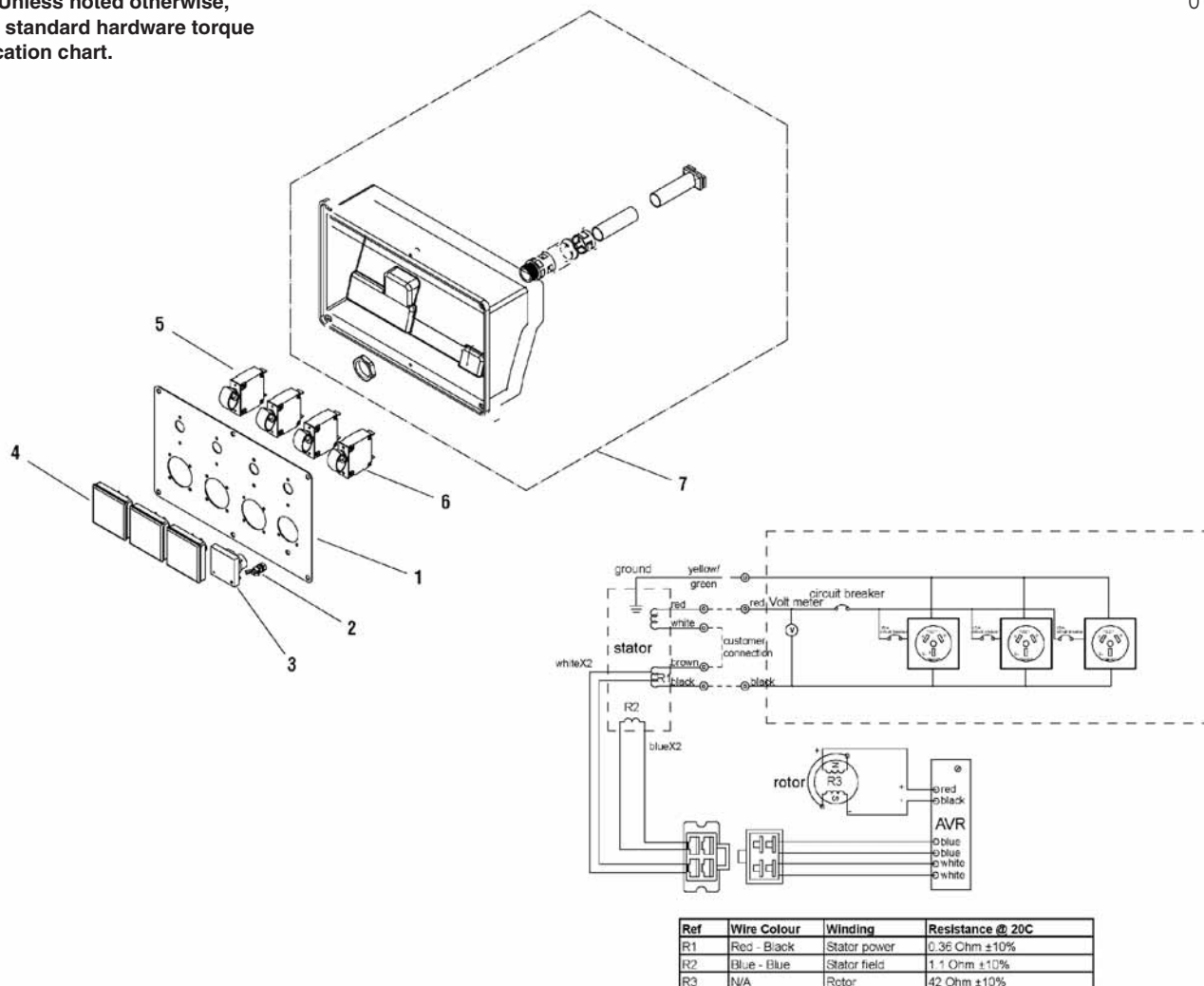
030409-0 - ProMax 9000EA CE
030410-0 - ProMax 9000EA UK

030411-0 - ProMax 9000EA AU
030412-0 - ProMax 9000EA MEA

Control Panel - AU

0008

NOTE: Unless noted otherwise, use the standard hardware torque specification chart.



REF. PART NO.	DESCRIPTION	REF. PART NO.	DESCRIPTION
1	103943GS PLATE, Control Panel (Australian)		
2	---- KIT, Grounding		
3	103919GS VOLTMETER		
4	103879GS SOCKET, Blue (Australian)		
5	103944GS CIRCUIT BREAKER AND SWITCH, 1P/15A		
6	103955GS CIRCUIT BREAKER AND SWITCH, 1P/30A		
7	103909GS ASSEMBLY, Control Panel Back Cover		

Footnotes

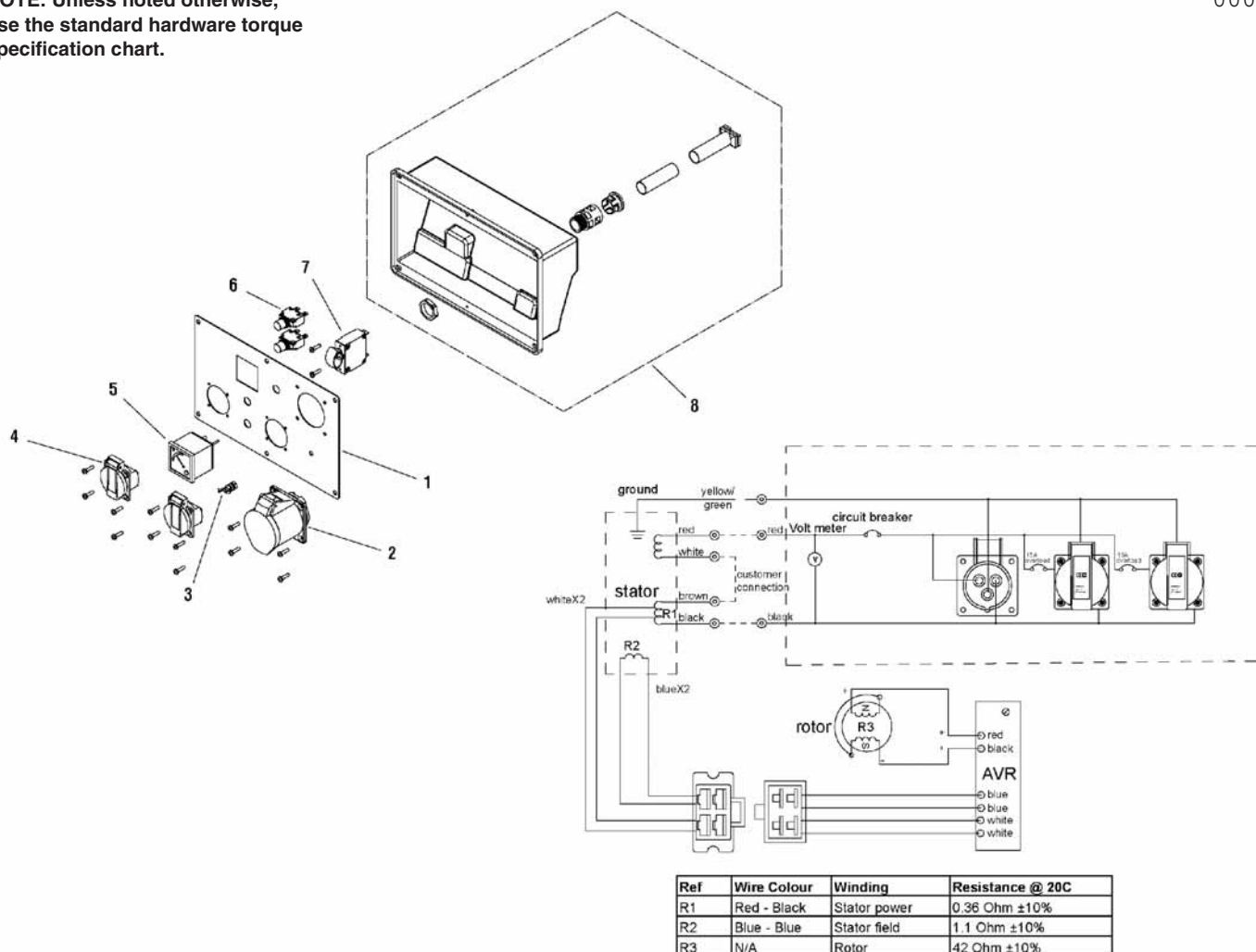
The above parts group applies to the following Mfg. Nos.:

030411-0 - ProMax 9000EA AU

Control Panel - CE / MEA

0009

NOTE: Unless noted otherwise, use the standard hardware torque specification chart.



REF.	PART NO.	DESCRIPTION	REF.	PART NO.	DESCRIPTION
1	030911GS	PLATE, Control Panel (CE / MEA)			
2	103913GS	SOCKET, CEE, 32A/230V (CE / MEA)			
3	----	KIT, Grounding			
4	103855GS	SOCKET SCHUKO, 16A, Blue, Shuttered (CE / MEA)			
5	103672GS	VOLTMETER			
6	103914GS	BREAKER, 15A			
7	103955GS	CIRCUIT BREAKER AND SWITCH, 1P/30A			
8	103909GS	ASSEMBLY, Control Panel Back Cover			

Footnotes

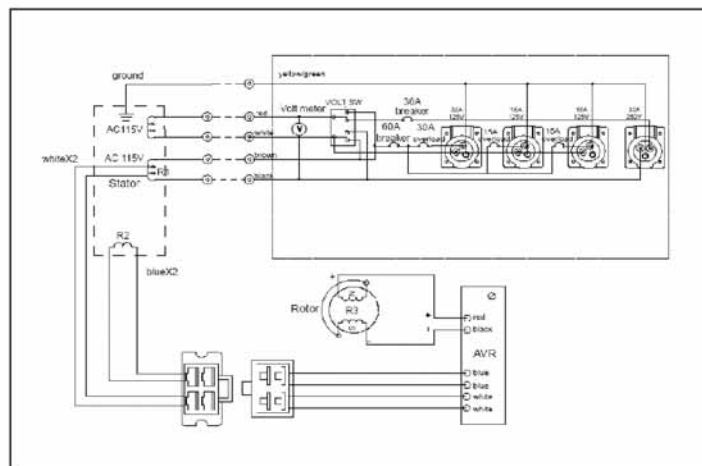
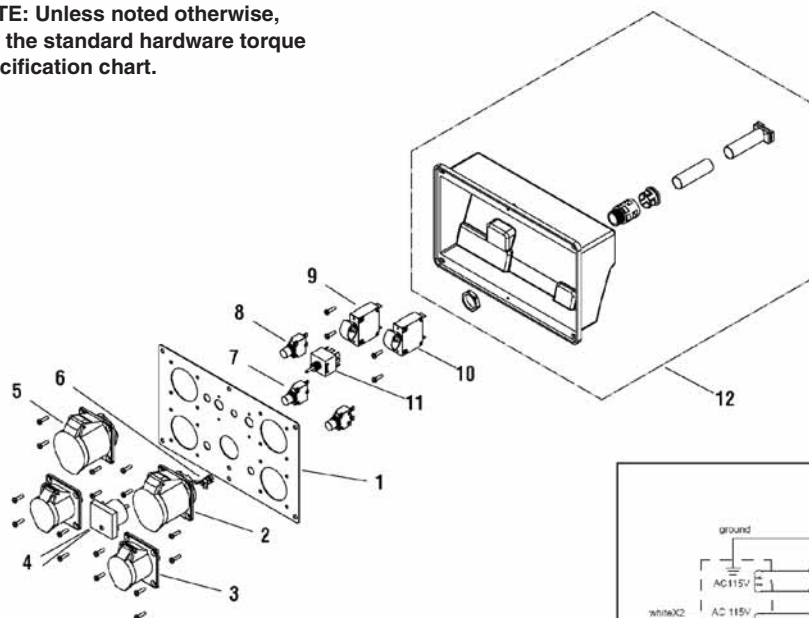
The above parts group applies to the following Mfg. Nos.:

030409-0 - ProMax 9000EA CE
030412-0 - ProMax 9000EA MEA

Control Panel - UK

0010

NOTE: Unless noted otherwise, use the standard hardware torque specification chart.



Ref	Wire Colour	Winding	Resistance @ 20C
R1	Red - Black	Stator power	0.36 Ohm ±10%
R2	Blue - Blue	Stator field	1.1 Ohm ±10%
R3	N/A	Rotor	42 Ohm ±10%

REF.	PART NO.	DESCRIPTION	REF.	PART NO.	DESCRIPTION
1	103916GS	PLATE, Control Panel (UK)			
2	103913GS	SOCKET, CEE, 32A/230V (UK)			
3	103917GS	SOCKET, CEE, 16A/115V (UK)			
4	103919GS	VOLTMETER			
5	103940GS	SOCKET, CEE, 32A/115V (UK)			
6	----	KIT, Grounding			
7	103914GS	BREAKER, 15A			
8	103941GS	BREAKER, 30A			
9	103956GS	CIRCUIT BREAKER AND SWITCH, 1P/60A			
10	103955GS	CIRCUIT BREAKER AND SWITCH, 1P/30A			
11	103942GS	SWITCH, Voltage			
12	103909GS	ASSEMBLY, Control Panel Back Cover			

Footnotes

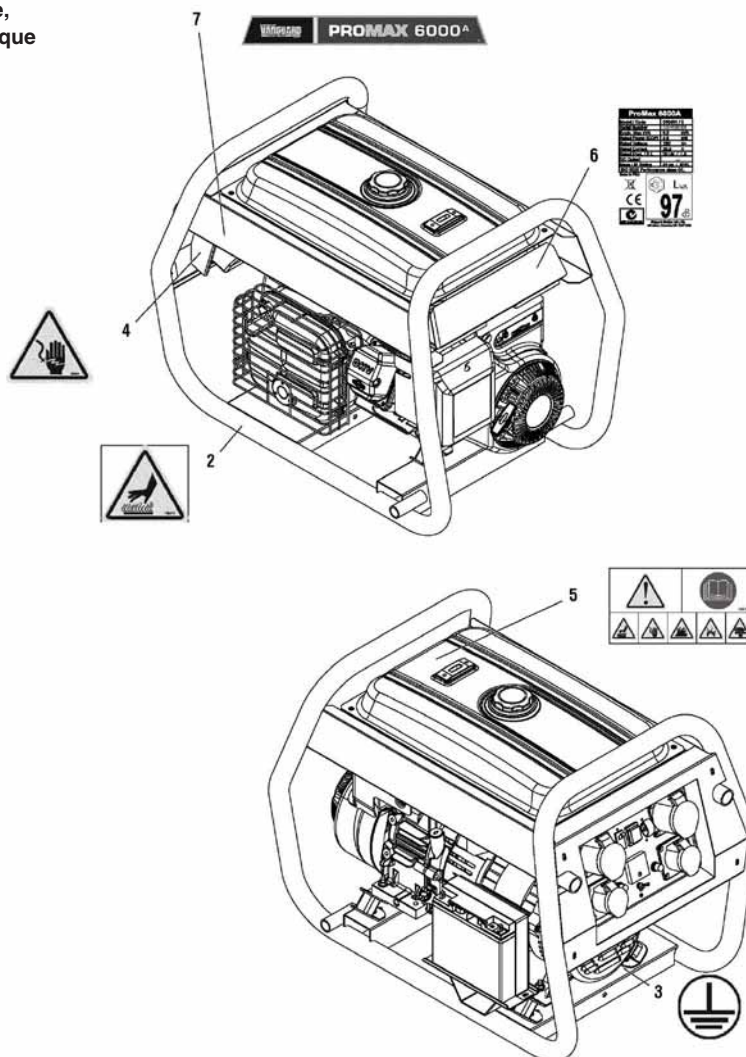
The above parts group applies to the following Mfg. Nos.:

030410-0 - ProMax 9000EA UK

Decals

0007

NOTE: Unless noted otherwise, use the standard hardware torque specification chart.



REF. PART NO.	DESCRIPTION	REF. PART NO.	DESCRIPTION
1	103858GS		KIT, Decals (Includes Ref. Nos. 2, 3, 4 & 5)
2	----		DECAL, Hot Hazard Warning
3	----		DECAL, Ground
4	----		DECAL, Electrical Hazard Warning
5	----		DECAL, Warning / Read Manual
6	----		DECAL, Dataplate
7	103604GS		DECAL, ProMax 9000
7	103599GS		DECAL, ProMax 6000

Footnotes

The above parts group applies to the following Mfg. Nos.:

030409-0 - ProMax 9000EA CE
030410-0 - ProMax 9000EA UK

030411-0 - ProMax 9000EA AU
030412-0 - ProMax 9000EA MEA

Not for
Reproduction

Not for
Reproduction

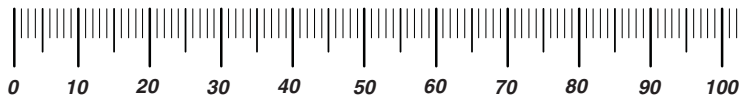
Not for
Reproduction

Not for
Reproduction

Hardware Identification & Torque Specifications

Torque Specification Chart								
FOR STANDARD METRIC MACHINE HARDWARE (Tolerance ± 20%)								
Property Class	5.6		8.8		10.9		12.9	
	Class 5.6		Class 8.8		Class 10.9		Class 12.9	
Size Of Hardware	in/lbs		in/lbs		in/lbs		in/lbs	
	ft/lbs	Nm.	ft/lbs	Nm.	ft/lbs	Nm.	ft/lbs	Nm.
M3	5.88	.56	13.44	1.28	19.2	1.80	22.92	2.15
M4	13.44	1.28	30.72	2.90	43.44	4.10	52.56	4.95
M5	26.4	2.50	60.96	5.75	5.97	8.10	7.15	9.7
M6	44.64	4.3	7.3	9.9	10.3	14	12.1	16.5
M7	5.2	7.1	12.1	16.5	16.9	23	19.9	27
M8	7.7	10.5	17.7	24	25	34	29	40
M10	15	21	35	48	50	67	59	81
M12	26	36	61	83	86.2	117	103	140
M14	42	58	101	132	136	185	162	220
M16	64	88	147	200	210	285	250	340
M18	89	121	202	275	287	390	346	470
M20	126	171	290	390	405	550	486	660
M22	169	230	390	530	559	745	656	890
M24	217	295	497	375	708	960	840	1140
M27	320	435	733	995	1032	1400	1239	1680
M30	435	590	995	1350	1401	1900	1681	2280
M33	590	800	1349	1830	1902	2580	2278	3090
M36	759	1030	1740	2360	2441	3310	2935	3980
M39	988	1340	2249	3050	3163	4290	3798	5150

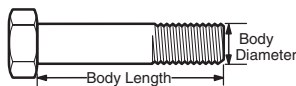
The guides and ruler furnished below are designed to help you select the appropriate hardware.



Nut, M8

Thread Diameter (mm)
Inside Diameter (in)
Threads per inch

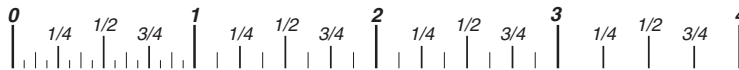
Nut, 1/2-16



Screw, M8- 1.25 x 25

Thread Diameter (mm)
Body Diameter
Distance between threads (mm)
Threads per inch
Body Length (mm)
Body Length (in)

Screw, 1/2- 16 x 2



Standard Hardware Sizing

When a washer or nut is identified as 1/2" (M8), this is the *Nominal size*, meaning the *inside diameter* is 1/2 inch (8mm metric thread diameter); if a second number is present it represents the *threads per inch* (distance between threads).

When bolt or capscrew is identified as 1/2 - 16 x 2" (M8 - 1.25 x 50), this means the *Nominal size*, or body diameter is 1/2 inch (8mm metric thread diameter), the second number, 16, represents the *threads per inch*, (1.25 thread diameter). The final number is the body length of the bolt or screw, 2 inches (50mm).

Torque Specification Chart						
FOR STANDARD MACHINE HARDWARE (Tolerance ± 20%)						
Hardware Grade	No Marks		SAE Grade 5		SAE Grade 8	
	SAE Grade 2		SAE Grade 5		SAE Grade 8	
Size Of Hardware	in/lbs		in/lbs		in/lbs	
	ft/lbs	Nm.	ft/lbs	Nm.	ft/lbs	Nm.
8-32	19	2.1	30	3.4	41	4.6
8-36	20	2.3	31	3.5	43	4.9
10-24	27	3.1	43	4.9	60	6.8
10-32	31	3.5	49	5.5	68	7.7
1/4-20	66	7.6	8	10.9	12	16.3
1/4-28	76	8.6	10	13.6	14	19.0
5/16-18	11	15.0	17	23.1	25	34.0
5/16-24	12	16.3	19	25.8	29	34.0
3/8-16	20	27.2	30	40.8	45	61.2
3/8-24	23	31.3	35	47.6	50	68.0
7/16-14	30	40.8	50	68.0	70	95.2
7/16-20	35	47.6	55	74.8	80	108.8
1/2-13	50	68.0	75	102.0	110	149.6
1/2-20	55	74.8	90	122.4	120	163.2
9/16-12	65	88.4	110	149.6	150	204.0
9/16-18	75	102.0	120	163.2	170	231.2
5/8-11	90	122.4	150	204.0	220	299.2
5/8-18	100	136	180	244.8	240	326.4
3/4-10	160	217.6	260	353.6	386	525.0
3/4-16	180	244.8	300	408.0	420	571.2
7/8-9	140	190.4	400	544.0	600	816.0
7/8-14	155	210.8	440	598.4	660	897.6
1-8	220	299.2	580	788.8	900	1,244.0
1-12	240	326.4	640	870.4	1,000	1,360.0

NOTES

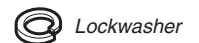
- These torque values are to be used for all hardware excluding: locknuts, self-tapping screws, thread forming screws, sheet metal screws and socket head setscrews.
- Recommended seating torque values for locknuts:
 - for prevailing torque locknuts - use 65% of grade 5 torques.
 - for flange whizlock nuts and screws - use 135% of grade 5 torques.
- Unless otherwise noted on assembly drawings, all torque values must meet this specification.

Common Hardware Types

Hex Head Capscrew

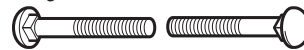


Washer



Lockwasher

Carriage Bolt



Hex Nut

Wrench & Fastener Size Guide

1/4" Bolt or Nut Wrench—7/16"	5/16" Bolt or Nut Wrench—1/2"	3/8" Bolt or Nut Wrench—9/16"	7/16" Bolt or Nut Wrench (Bolt)—5/8" Wrench (Nut)—11/16"	1/2" Bolt or Nut Wrench—3/4"
M6 Bolt or Nut Wrench—10mm	M8 Bolt or Nut Wrench—13mm	M10 Bolt or Nut Wrench—17mm	M12 Bolt or Nut Wrench—19mm	M14 Bolt or Nut Wrench—22mm



Not for
Reproduction

Briggs & Stratton Power Products Group

Copyright© 2012 Briggs & Stratton Power Products Group. All rights reserved. No part of this page can be reproduced or transmitted in any form by any means without the express written permission of Briggs & Stratton Power Products Group.