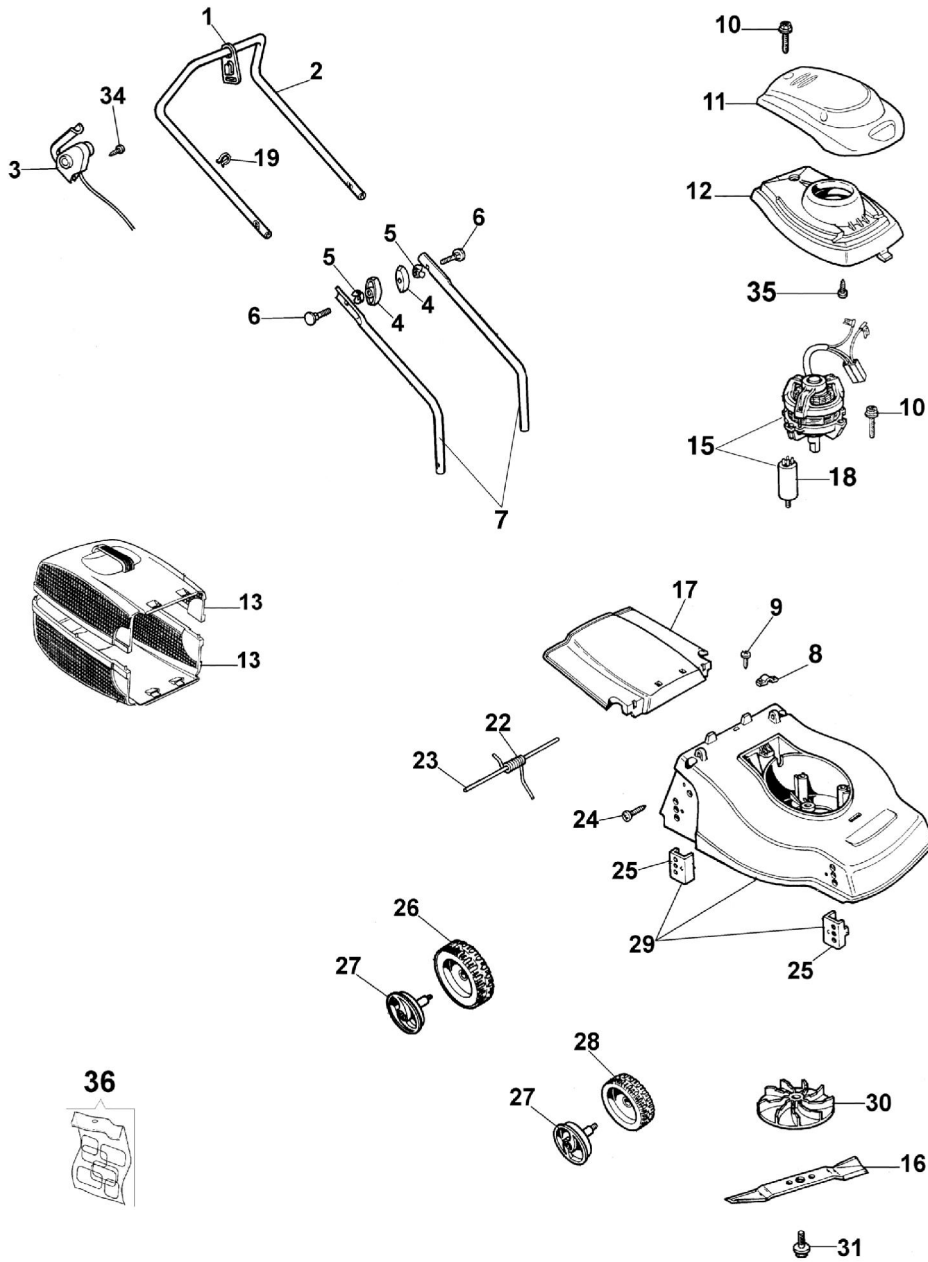


PR 35 Electric lawnmower - Complete illustrated parts list



PR 35 Electric lawnmower - Complete illustrated parts list



Ref.Nu	Qty	Part number	Description	Validity from	Validity till	Notes	Bulletin
1	1	3044025R	Clamp				
2	1	66050021	Handlebar				
3	1	66052047R	Switch				
4	2	4119013AR	Knob				
5	2	66050013R	Spacer				
6	2	3910015R	Screw				
7	1	66052041	Handlebar				
8	1	012000033R	Plate				
9	2	3960059AR	Screw				
10	5	3960050R	Screw				
11	1	66050151	Guard				
12	1	66050041A	Guard				
13	1	66050058	Half grass				
15	1	66052034R	Motor				
16	1	66050018BR	Blade				
17	1	66050040BR	Shutter				
18	1	66050053R	Condenser				
19	1	3044087	Band				
22	1	66050017	Spring				
23	1	66050016	Pin				
24	2	3860052	Screw				
25	4	66050022	Plate				
26	2	66050007	Wheel				
27	4	66050010R	Knob				
28	2	66050006	Wheel				
29	1	66052004C	Deck				
30	1	66050005AR	Fan				
31	1	66050014A	Screw				
34	2	66050036	Screw				
35	1	011200035R	Screw				
36	1	66052062	Labels set				