



OPTIONAL ATTACHMENTS & ACCESSORIES**Guide Bars**

10A0CD3739 Guide Bar - 10" (.050" Ga)

10A4CD3739 Guide Bar - 10" (.043" Ga)

12A0CD3744 Guide Bar - 12" (.050" Ga)

12A4CD3744 Guide Bar - 12" (.043" Ga)

Sawing Chains

90SG39CQ Sawing Chain - 10" (.043" Ga)

90SG44CQ Sawing Chain - 12" (.043" Ga)

91VX39CQ Sawing Chain - 10" (.050" Ga)

91VX44CQ Sawing Chain - 12" (.050" Ga)

M91VX39CQ Sawing Chain - 10" (.050" Ga)

M91VX44CQ Sawing Chain - 12" (.050" Ga)

PARTS CATALOG
PPT-235ES Power
Pruner**21.2cc****SERIAL NUMBERS**

S/N: S07037001001 - S07037999999

ECHO, INCORPORATED

400 Oakwood Road Lake Zurich, Illinois 60047 USA

WWW.ECHO-USA.COM



Table of Contents

Click Any Diagram Description Below To View That Diagram.

PPT-235ES S/N: S07037001001 - S07037999999

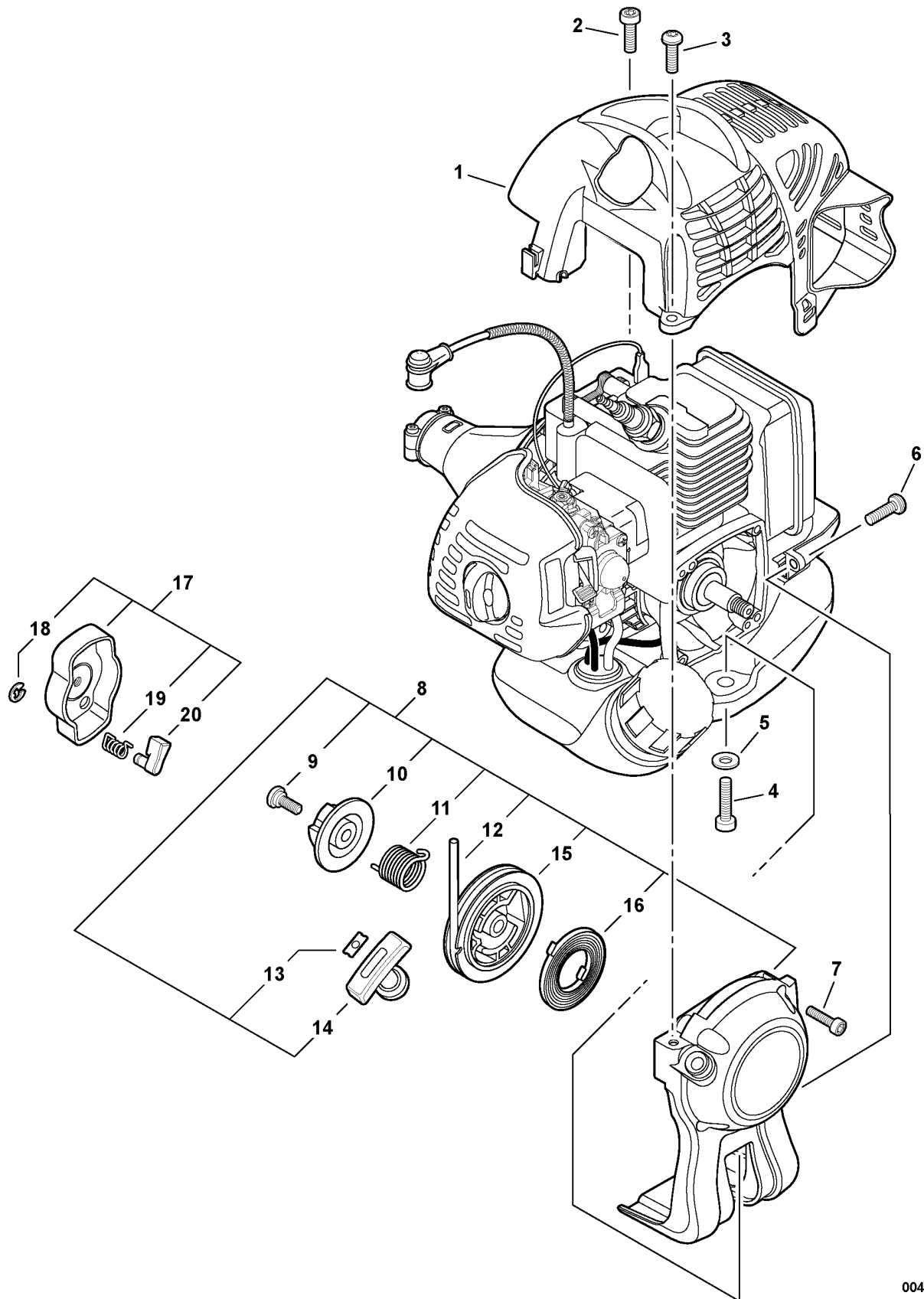
Engine Cover, Starter.....	4
Fuel System.....	6
Intake.....	8
Carburetor -- RB-K93.....	10
Exhaust.....	12
Fan Case, Clutch.....	14
Ignition.....	16
Engine, Short Block -- SB1096.....	18
Guide Bar, Sawing Chain, Guide Bar Cover.....	20
Gear Case, Auto-Oiler.....	22
Main Pipe -- Upper.....	24
Main Pipe -- Lower.....	26
Shoulder Strap.....	28
Control Handle.....	30
Labels.....	32
Gasket Kit -- P021015980.....	34
Tools.....	36
Part Number Index.....	38
Part Description Index.....	39



Service Publications

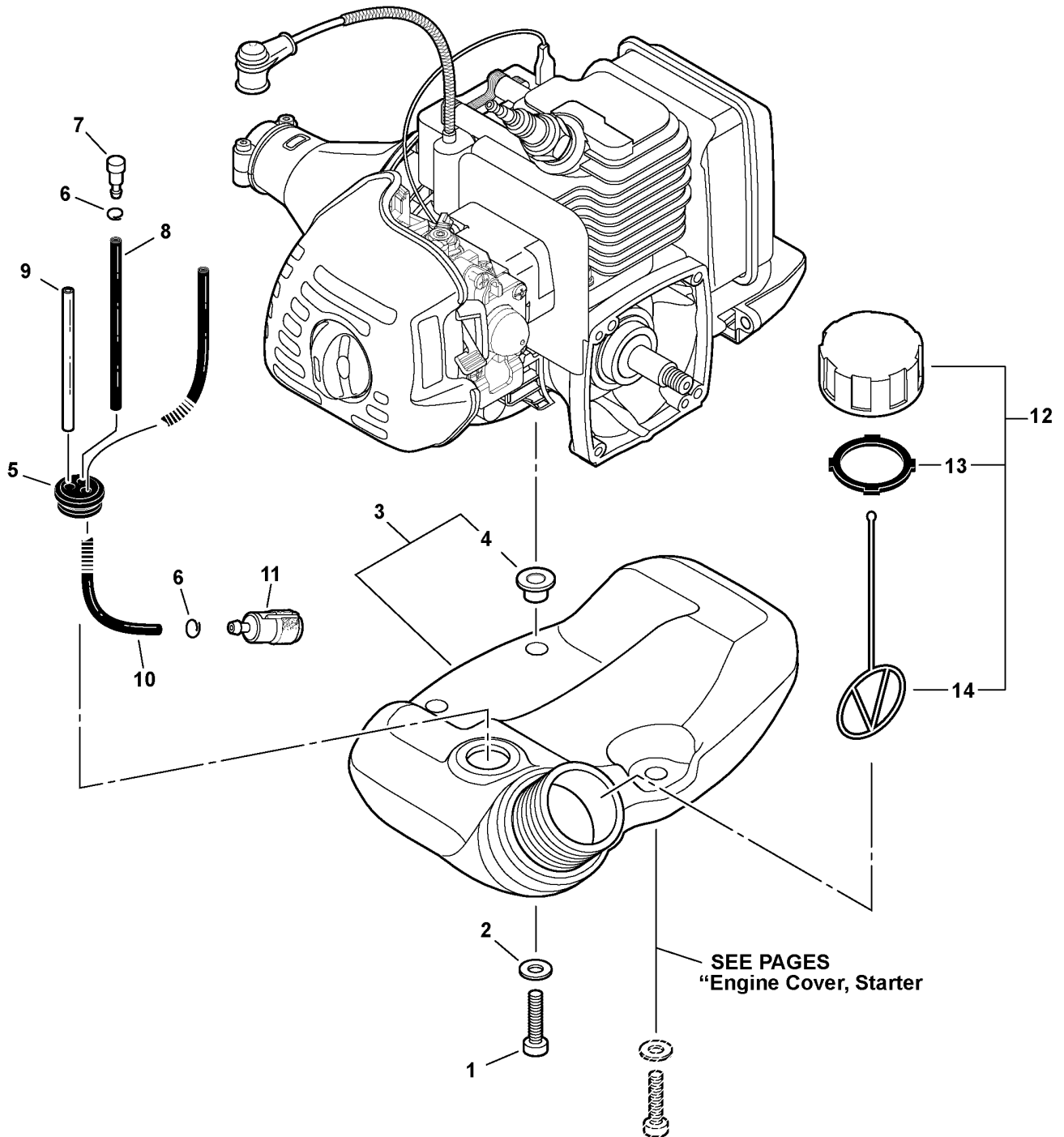
This Section Lists Important Service Publications Relating To The Models Included In This Manual.

No publications associated with any models in this manual.



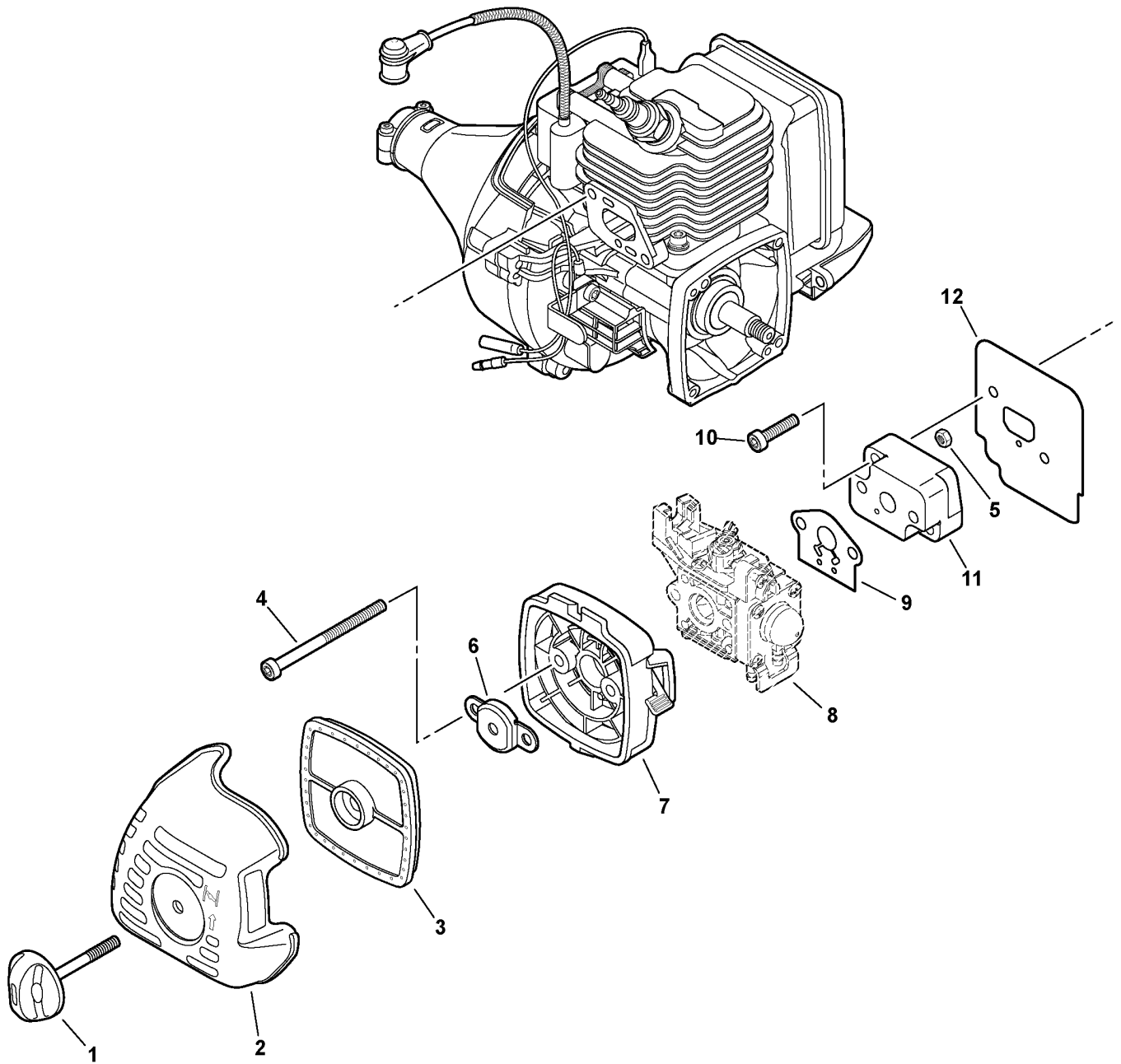
004 0039 0EU

ITEM	PART NUMBER	QTY	DESCRIPTION	REMARKS
1	A160001090	1	COVER, ENGINE	
2	V805000150	1	SCREW 5X16	
3	V805000000	1	SCREW 5X16 - TAPPING	
4	V805000160	1	SCREW 5X20	
5	90060300005	1	WASHER	
6	V805000000	1	SCREW 5X16 - TAPPING	
7	V804000060	4	SCREW 4X16	
8	A051001311	1	RECOIL STARTER ASY	INCLUDES ITEMS 9-16
9	17723661830	1	SCREW	
10	P022008280	1	PLATE, CAM	
11	P022008270	1	SPRING, DAMPER	
12	P022019990	1	ROPE, STARTER - 3X700mm	
13	17724611120	1	STOPPER, ROPE	
14	17722827030	1	GRIP, STARTER	
15	P022006830	1	DRUM	
16	P022019680	1	SPRING, REWIND	
17	A052000180	1	STARTER PAWL ASY	INCLUDES ITEMS 18-20
18	P022002100	2	E-RING	
19	17723412220	2	SPRING, RETURN	
20	P022006850	2	PAWL, STARTER	



002 0042 0EU

ITEM	PART NUMBER	QTY	DESCRIPTION	REMARKS
1	V805000160	3	SCREW 5X20	
2	90060300005	3	WASHER 5	
3	A350000780	1	TANK, FUEL	INCLUDES ITEM 4
4	V353000231	3	COLLAR	
5	V137000030	1	GROMMET, FUEL	
6	13201309820	2	CLIP	
7	A356000030	1	VENT ASY	
8	V471001210	1	PIPE, VENT - 3X5X90mm	
9	13201256030	1	PIPE, RETURN - 3X6X80mm	
10	V470000840	1	PIPE, FUEL - 3X5X180mm	
11	13120507320	1	FILTER, FUEL	
12	P021012210	1	CAP ASY	INCLUDES ITEMS 13-14
13	13101655830	1	GASKET, CAP	
14	A365000060	1	CONNECTOR, CAP	

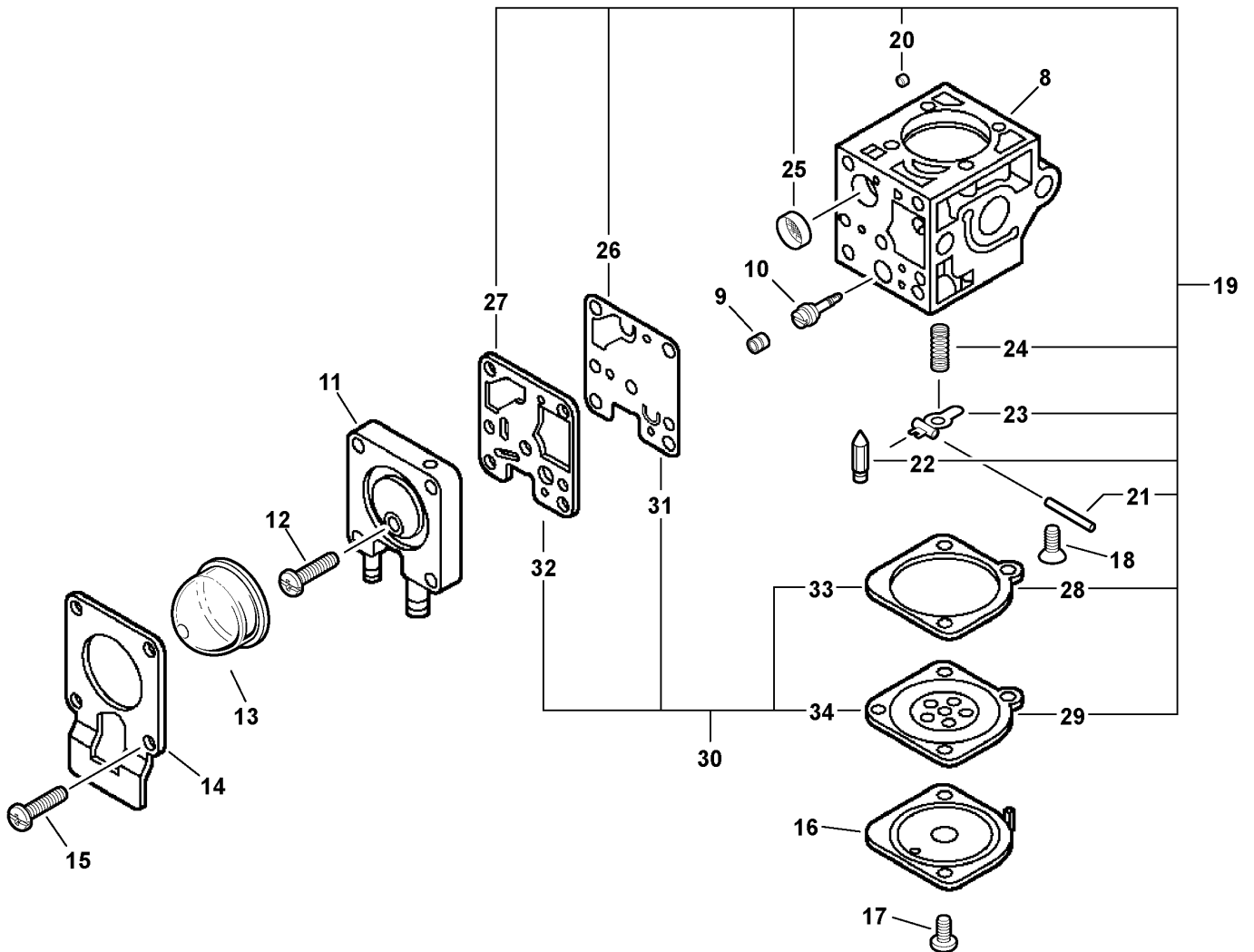
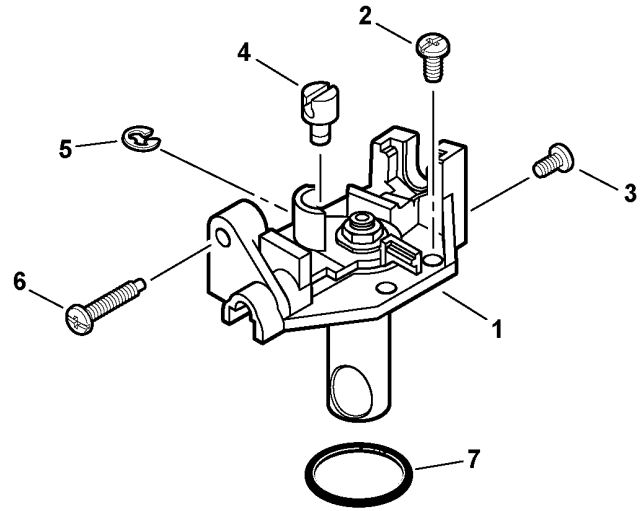


005 0041 0EU

ITEM	PART NUMBER	QTY	DESCRIPTION	REMARKS
1	V299000250	1	THUMB SCREW	
2	A232000480	1	LID, AIR CLEANER	
3	13031054130	1	FILTER, AIR	
4	V805000100	2	SCREW 5X65	
5	90050000005	2	NUT	
6	12901152730	1	PLATE, PREVENT	
7	P021012870	1	CASE, AIR CLEANER	
8	-----	1	CARBURETOR	See Carburetor Diagram For Additional Information
9	V103000480	1	GASKET, INTAKE ¹	
10	V805000160	2	SCREW 5X20	
11	13001744331	1	INSULATOR, INTAKE	
12	V103000490	1	SHIELD, INTAKE ¹	

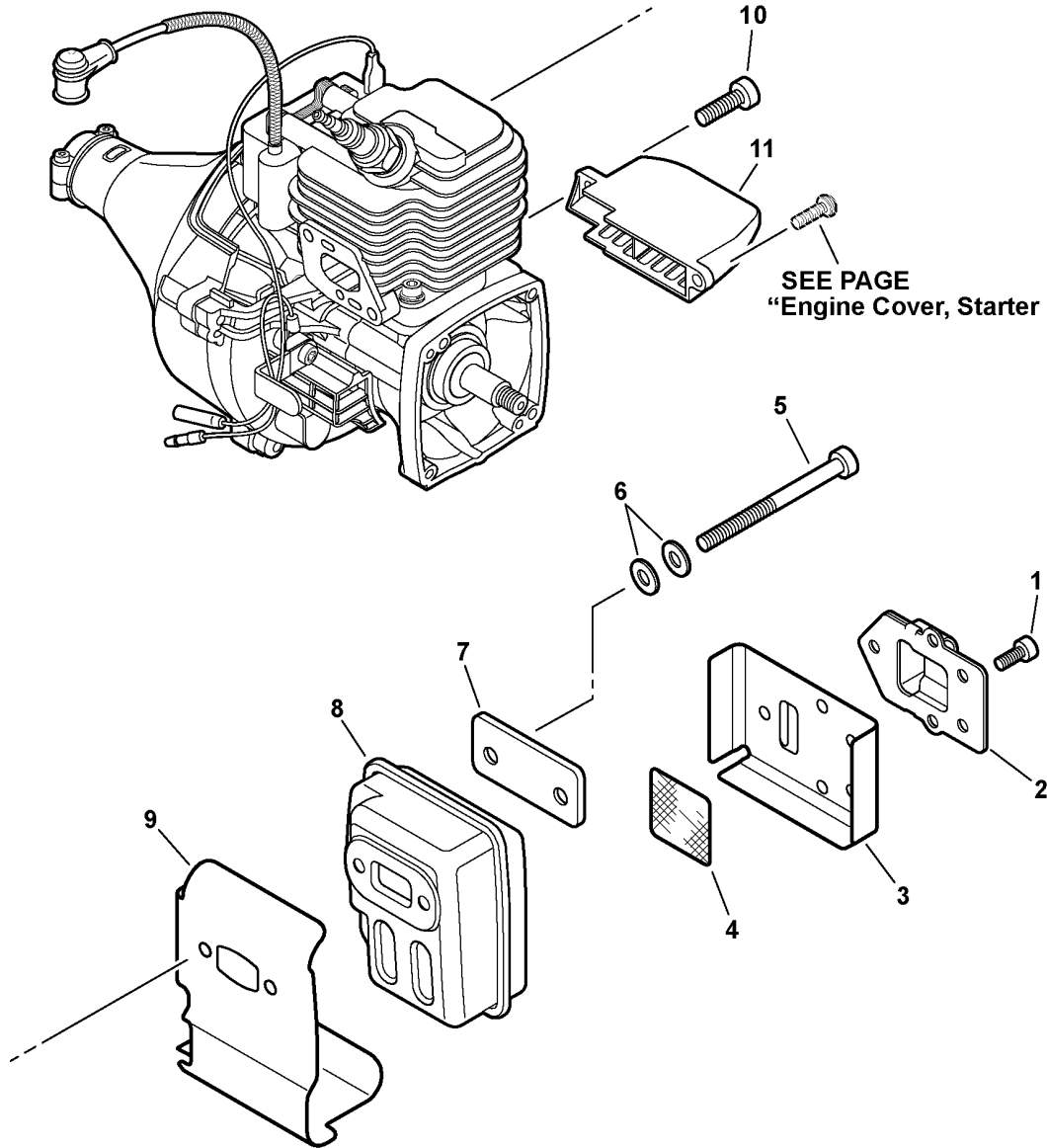
Footnotes

¹: Also Included In GASKET KIT



RBK93 0000 000

ITEM	PART NUMBER	QTY	DESCRIPTION	REMARKS
	A021001690	1	CARBURETOR -- RB-K93	
1	P005002050	1	ROTOR COVER ASY	
2	12534413931	3	SCREW, ROTOR COVER ASY	
3	12534452130	1	SCREW, ROTOR COVER	
4	P005001240	1	SWIVEL	
5	P005000190	1	E-RING	
6	P005000100	1	SCREW, THROTTLE ADJUST	
7	P005000280	1	O-RING	
8	-----	1	BODY, CARBURETOR	NOT AVAILABLE SEPARATELY
9	P005001270	1	CAP, LIMITER	
10	P005001260	1	NEEDLE - HIGH SPEED	
11	P005001890	1	PURGE BASE ASY	
12	P005000270	1	SCREW, PURGE BASE ASY	
13	12538108660	1	BULB, PURGE	
14	P005000250	1	RETAINER, PURGE BULB	
15	P005001900	4	SCREW, PURGE BULB RETAINER	
16	12534252130	1	COVER, DIAPHRAGM	
17	12534452130	2	SCREW, DIAPHRAGM COVER	
18	12533942030	1	SCREW, METERING LEVER PIN	
19	P005001670	1	REPAIR KIT	INCLUDES ITEMS 20-29
20	P005001000	1	ROLLER, GUIDE	
21	-----	1	PIN, METERING LEVER	
22	-----	1	VALVE, INLET NEEDLE	
23	-----	1	LEVER, METERING	
24	-----	1	SPRING, METERING LEVER	
25	-----	1	STRAINER	
26	-----	1	DIAPHRAGM, PUMP	
27	-----	1	GASKET, PUMP	
28	-----	1	GASKET, METERING	
29	-----	1	DIAPHRAGM, METERING	
30	P005001660	1	DIAPHRAGM/GASKET KIT	INCLUDES ITEMS 31-34
31	-----	1	DIAPHRAGM, PUMP	
32	-----	1	GASKET, PUMP	
33	-----	1	GASKET, METERING	
34	-----	1	DIAPHRAGM, METERING	

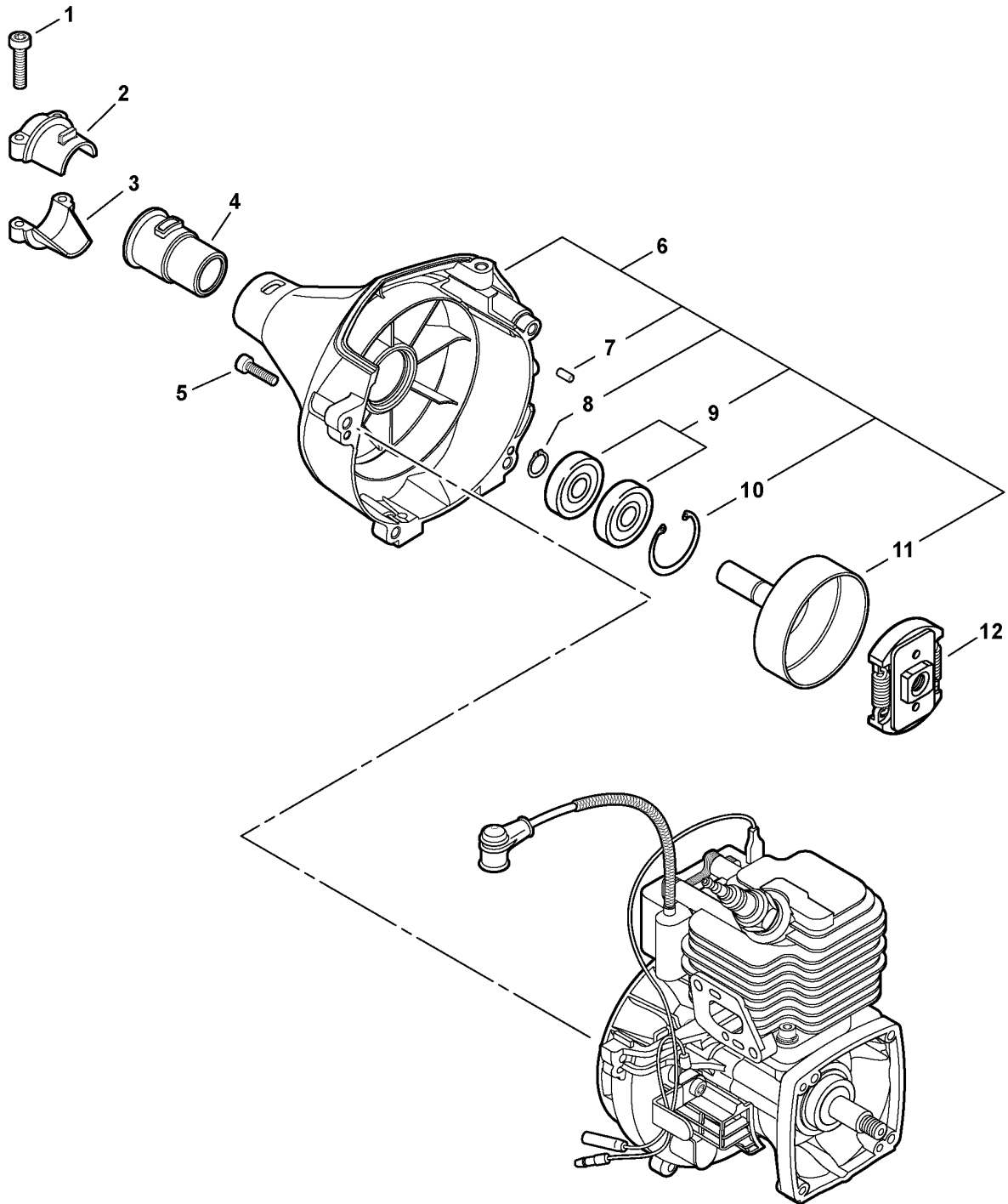


006 0048 00B

ITEM	PART NUMBER	QTY	DESCRIPTION	REMARKS
1	V804000080	5	SCREW 4X8	
2	A313000600	1	GUIDE, EXHAUST	
3	V104000360	1	GASKET, EXHAUST ¹	
4	14586240630	1	SCREEN, MUFFLER	
5	V805000190	2	SCREW 5X55	
6	V347000000	4	CONICAL WASHER	
7	V150000371	1	EYE PLATE	
8	A300000790	1	MUFFLER	
9	V104000850	1	SHIELD, EXHAUST ¹	
10	V805000150	1	SCREW 5X16	
11	A320000480	1	DUCT, AIR	

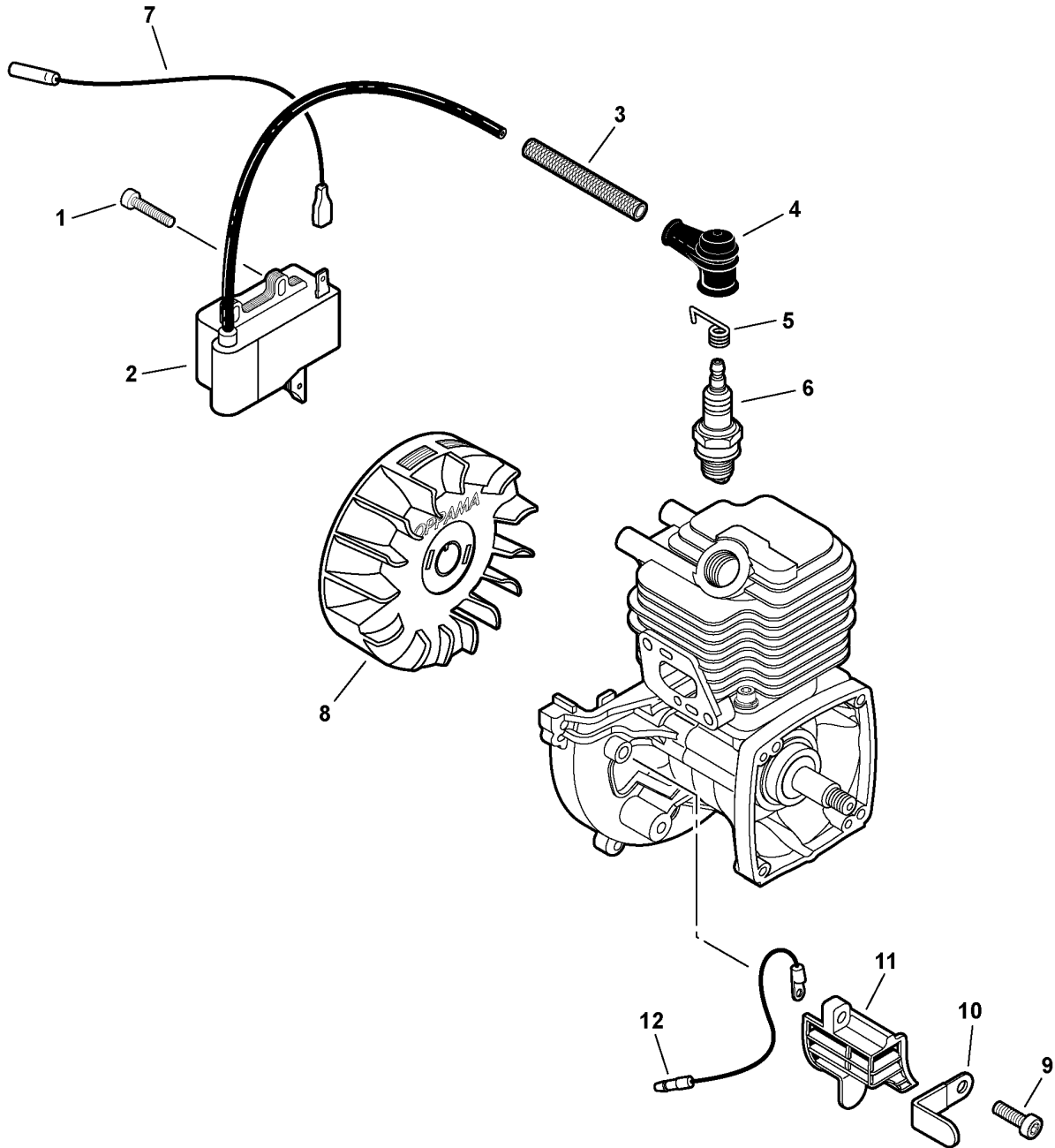
Footnotes

1: Also Included In GASKET KIT



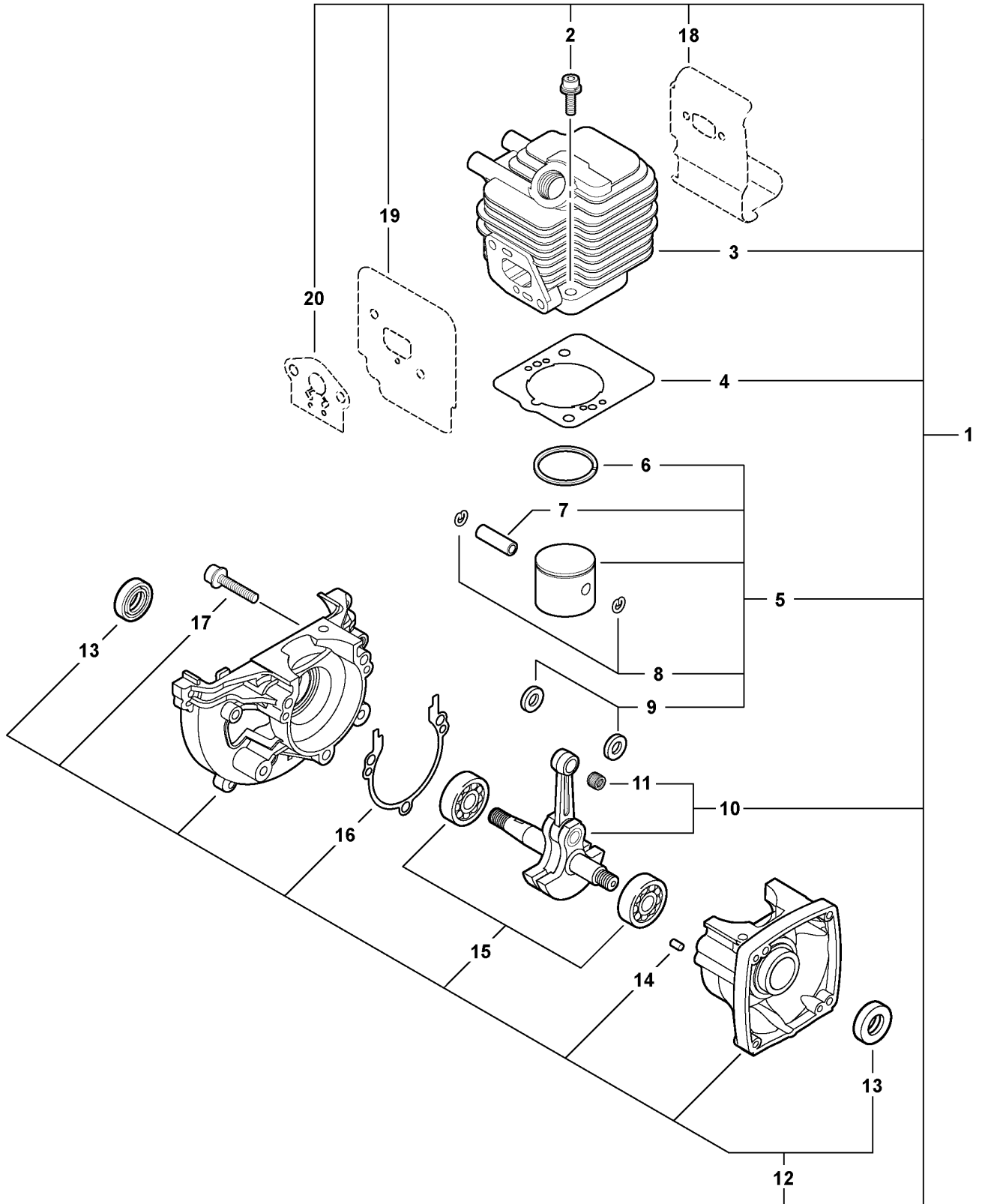
003 0019 00C

ITEM	PART NUMBER	QTY	DESCRIPTION	REMARKS
1	V805000160	2	SCREW 5X20	
2	61092227432	1	HOLDER -- UPPER	
3	A575000100	1	HOLDER - LOWER	
4	61091055230	1	CUSHION	
5	V804000060	4	SCREW 4X16	
6	P021033780	1	FAN COVER ASY	INCLUDES ITEMS 7-11
7	V622000020	2	DOWEL PIN - 4X7.8mm	
8	90070100012	1	CIRCLIP 12	
9	90080796001	2	BEARING, BALL - 6001	
10	90070200028	1	CIRCLIP 28	
11	A556000590	1	DRUM, CLUTCH	
12	A056000230	1	CLUTCH ASY	



007 0015 0EU

ITEM	PART NUMBER	QTY	DESCRIPTION	REMARKS
1	V804000070	2	SCREW 4X20	
2	A411000130	1	COIL, IGNITION	
3	V475004160	1	TUBE, INSULATOR	
4	A427000013	1	CAP, SPARK PLUG	
5	A426000010	1	TERMINAL, SPARK PLUG CAP	
6	A425000000	1	SPARK PLUG -- BPMR-8Y	
7	V485001120	1	LEAD, IGNITION	
8	A409000210	1	FLYWHEEL	
9	V805000150	1	SCREW 5X16	
10	15911621231	1	CLAMP	
11	A127000160	1	COVER, DEBRIS	
12	16201427230	1	LEAD, GROUND	

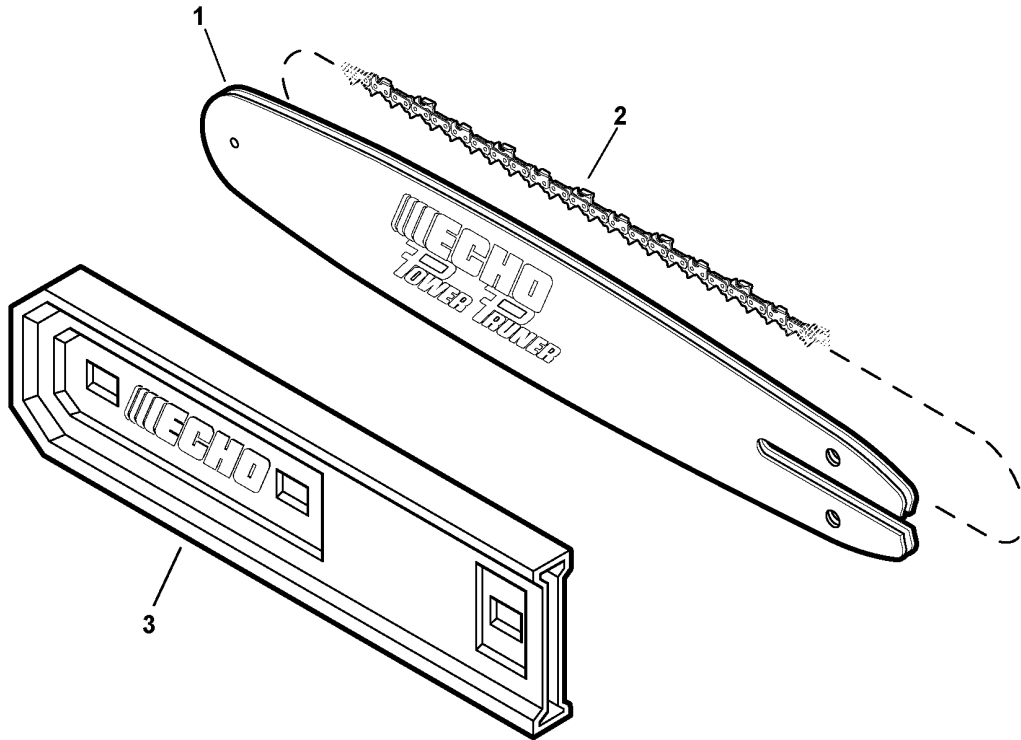


SB1096 0000 000

ITEM	PART NUMBER	QTY	DESCRIPTION	REMARKS
1	SB1096	1	SHORT BLOCK	INCLUDES ITEM 2-20
2	90016205022	2	SCREW 5X22	
3	A130000540	1	CYLINDER	
4	V100000160	1	GASKET, CYLINDER ¹	
5	P021007712	1	PISTON KIT	INCLUDES ITEMS 6-9
6	A101000090	1	RING, PISTON	
7	10001311520	1	PIN, PISTON	
8	10001504630	2	CIRCLIP, PISTON PIN	
9	10001411520	2	SPACER, PISTON PIN	
10	A011000101	1	CRANKSHAFT ASY	INCLUDES ITEM 11
11	V553000060	1	BEARING, NEEDLE	
12	10020452132	1	CRANKCASE KIT	INCLUDES ITEMS 13-17
13	10021242031	2	OIL SEAL	
14	V622000020	2	DOWEL PIN - 4X7.8mm	
15	9403536201	2	BEARING, BALL - 6201	
16	10024242030	1	GASKET, CRANKCASE ¹	
17	90016205028	3	SCREW 5X28	
18	-----	1	SHIELD, EXHAUST ¹	See Pages "EXHAUST"
19	-----	1	SHIELD, INTAKE ¹	See Pages "INTAKE"
20	-----	1	GASKET, INTAKE ¹	See Pages "INTAKE"

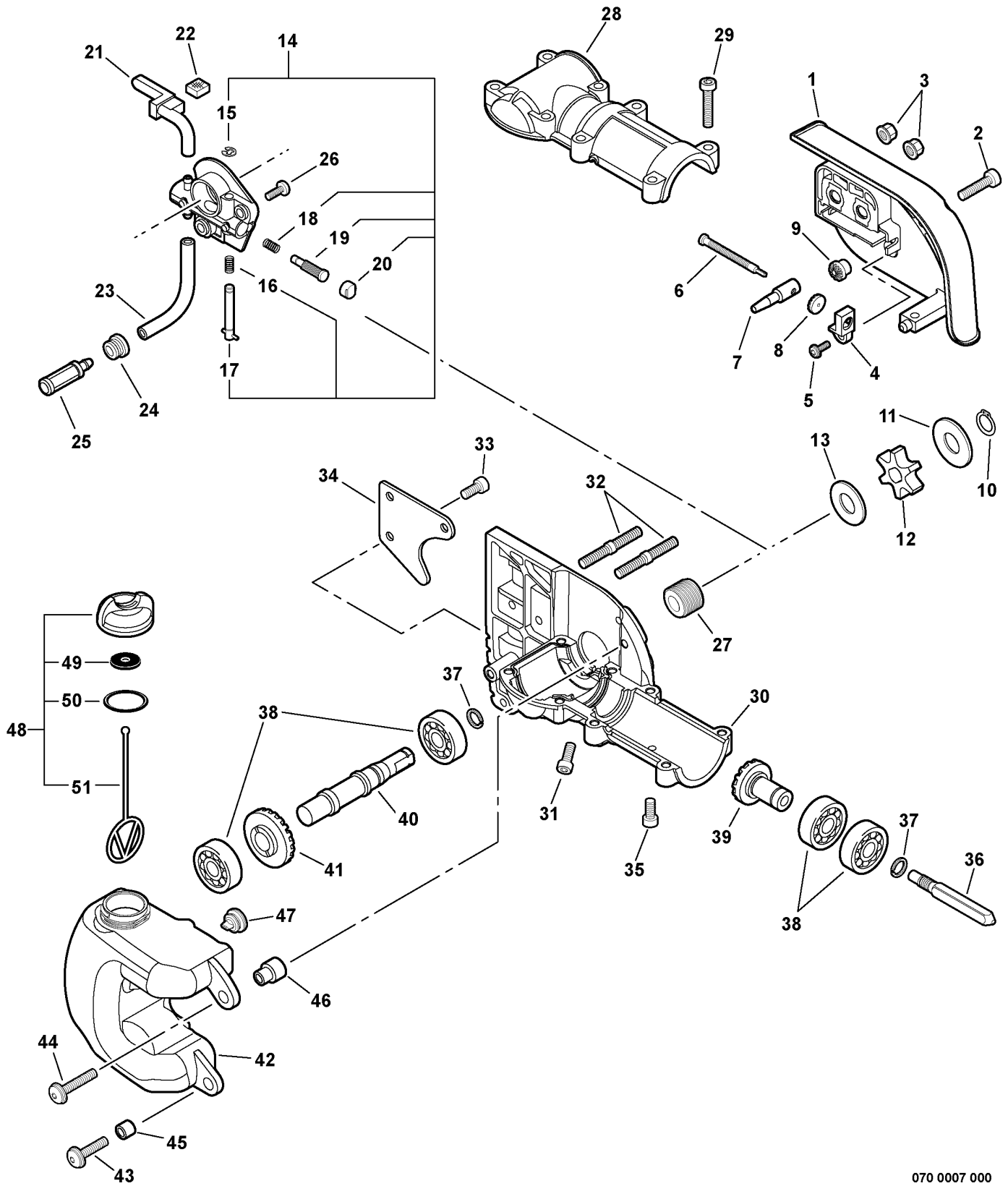
Footnotes

1: Also Included In GASKET KIT



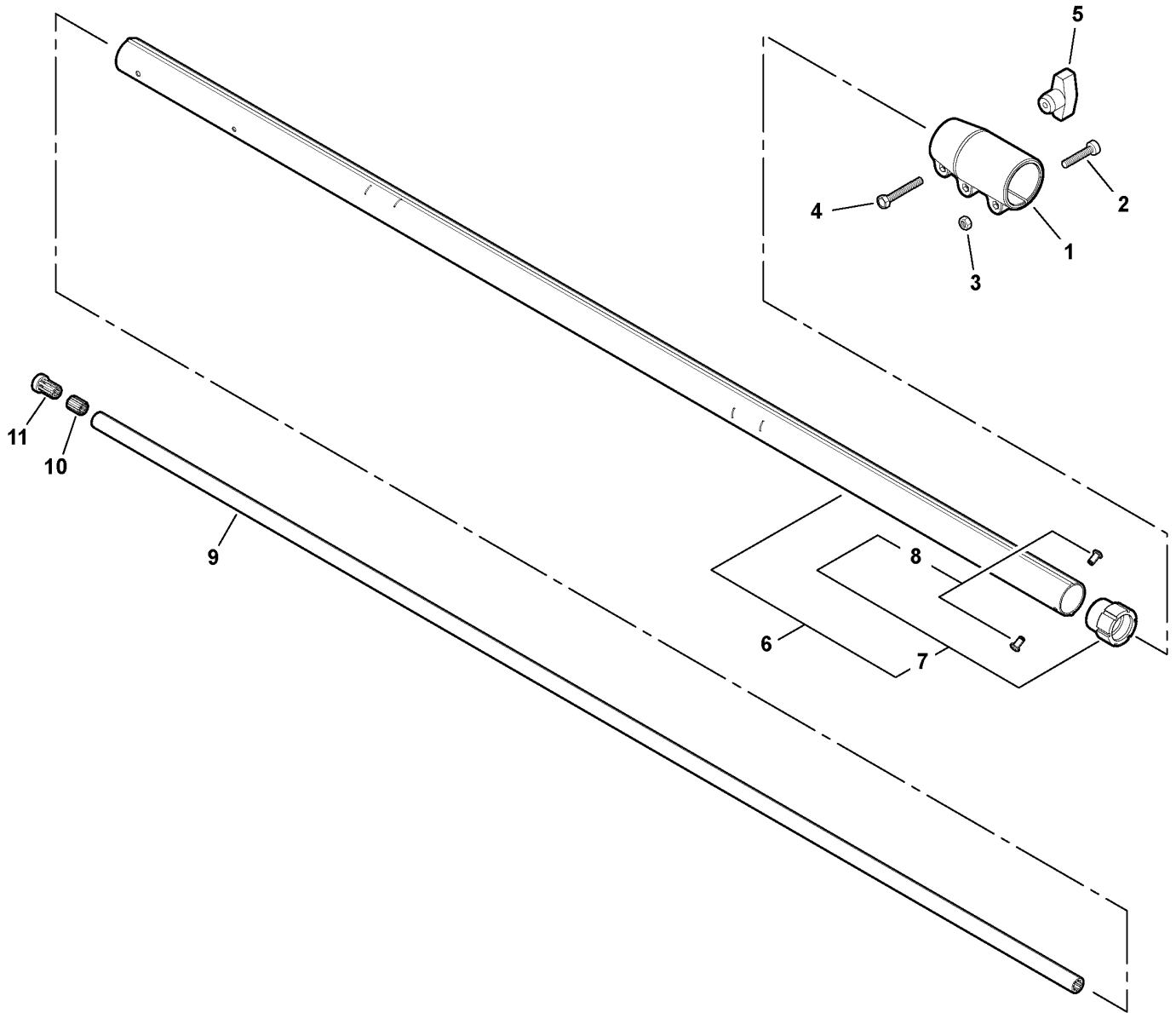
016 0013 000

ITEM	PART NUMBER	QTY	DESCRIPTION	REMARKS
1	10A0CD3739	1	GUIDE BAR - 10" -- Double Guard 91	
2	91VX39CQ	1	SAWING CHAIN	GAUGE: .050"
3	X490000060	1	COVER, GUIDE BAR	



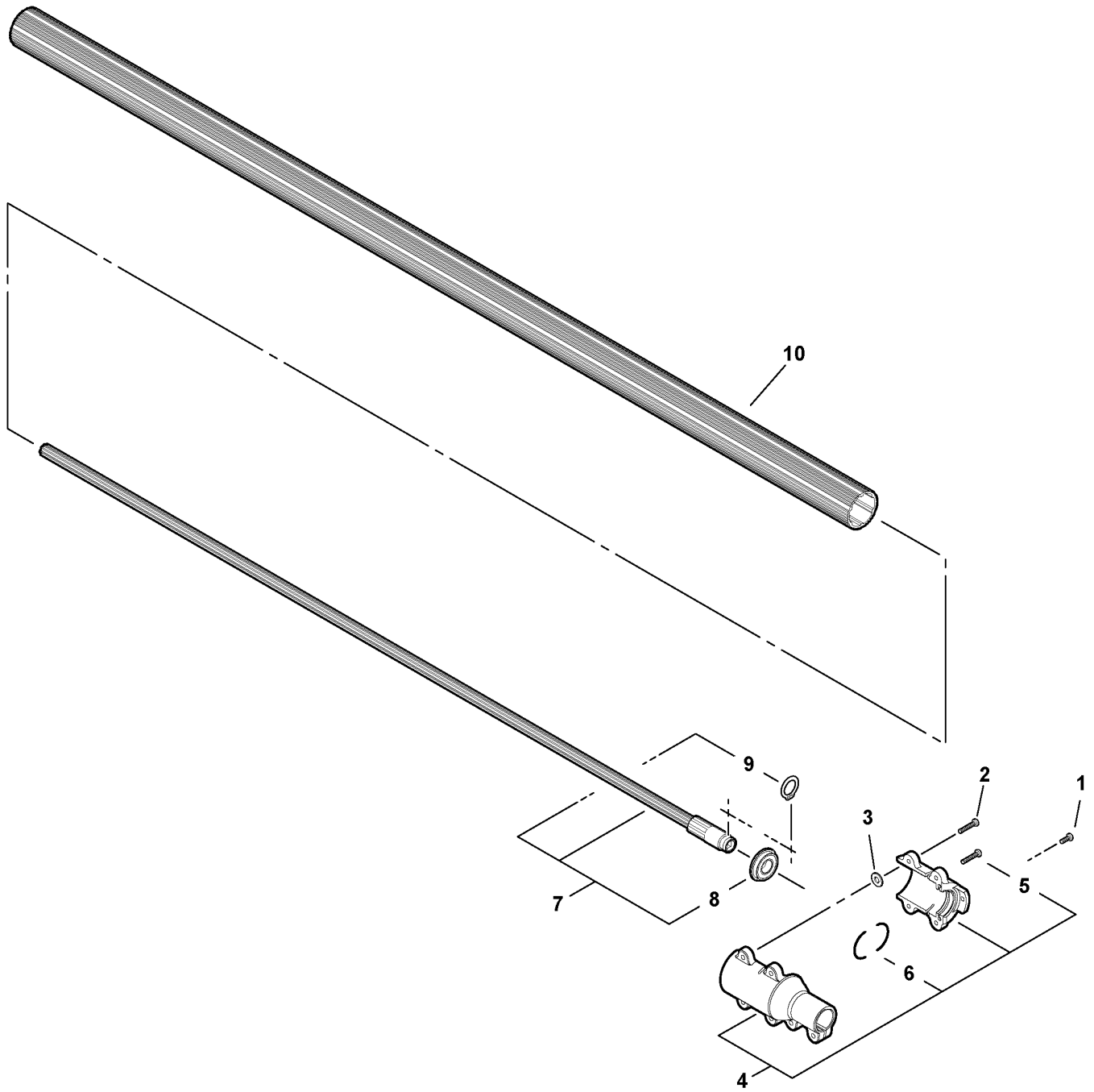
070 0007 000

ITEM	PART NUMBER	QTY	DESCRIPTION	REMARKS
1	C300000361	1	GUARD, SPROCKET	
2	V253000180	1	SCREW 5X20	
3	43301903933	2	FLANGE NUT 6	
4	V355000140	1	COLLAR	
5	V252000040	1	SCREW 4X8	
6	V203000041	1	BOLT	
7	C309000030	1	TENSIONER	
8	V651000310	1	GEAR - 14 TOOTH	
9	V651000320	1	GEAR - 14 TOOTH	
10	V583000090	1	CIRCLIP	
11	V307000160	1	WASHER	
12	C580000070	1	SPROCKET, DRIVE	
13	17501439131	1	WASHER	
14	C022000010	1	AUTO-OILER ASY	INCLUDES ITEMS 15-20
15	12532715130	1	CIRCLIP	
16	P022010670	1	SPRING	
17	P022010680	1	NEEDLE, ADJUST	
18	P022010660	1	SPRING	
19	P022010650	1	PLUNGER	
20	P022010640	1	CAP, OIL PUMP	
21	V470000180	1	PIPE, OIL OUTLET	
22	43724439130	1	PAD, FOAM	
23	13011014330	1	PIPE, OIL - 3X6X75mm	REPOWER BULK OPTION: 90015
24	13211501461	1	GROMMET	
25	43620502832	1	FILTER, OIL	
26	V253000200	2	SCREW 5X10	
27	43706338330	1	GEAR, WORM	
28	C531000030	1	CASE, GEAR - UPPER	
29	V253000240	8	SCREW 5X25	
30	C531000430	1	CASE, GEAR - LOWER	
31	V253000200	1	SCREW 5X10	
32	V224000040	2	THREADED STUD 6	
33	V253000200	3	SCREW 5X10	
34	C649000140	1	HOOK	
35	V253000200	1	SCREW 5X10	
36	61002522361	1	CONNECTOR, SHAFT	
37	90070600012	2	CIRCLIP 12	
38	9404206001	4	BEARING BALL	
39	V651000210	1	GEAR, BEVEL - 15 TOOTH	
40	C534000430	1	SHAFT, GEAR	
41	V651000201	1	GEAR, BEVEL - 23 TOOTH	
42	C200000080	1	TANK, OIL	
43	V253000230	2	SCREW 5X20	
44	V253000240	1	SCREW 5X25	
45	13104528230	2	COLLAR	
46	V354000010	1	SPACER	
47	13131406320	1	VENT ASY	
48	P021014940	1	CAP ASY - ORANGE	INCLUDES ITEMS 49-51
49	43601237830	1	WASHER - RUBBER	
50	90072000018	1	O RING	
51	A365000050	1	CONNECTOR, CAP	



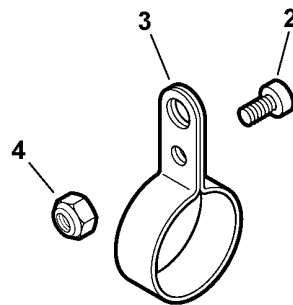
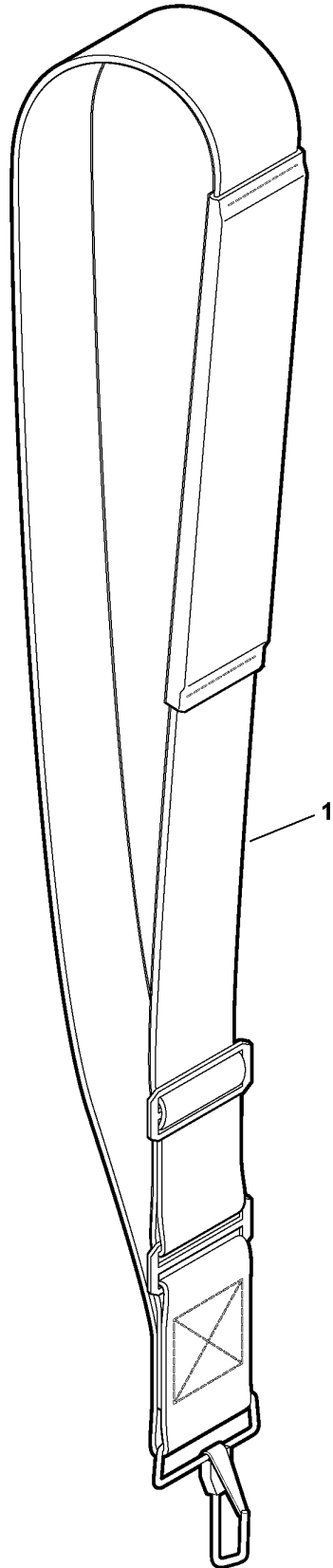
073 0001 000

ITEM	PART NUMBER	QTY	DESCRIPTION	REMARKS
1	C510000170	1	COUPLING	
2	V253000230	2	SCREW 5X20	
3	90050000005	2	NUT	
4	90010006025	1	BOLT 6X25	
5	V299000321	1	KNOB	
6	C050000760	1	MAIN PIPE ASY - BLACK	INCLUDES ITEMS 7-8
7	C503000080	1	BEARING HOLDER ASY	INCLUDES ITEM 8
8	89001122360	2	RIVET	
9	C504000360	1	DRIVESHAFT - UPPER	
10	C509000090	1	SOCKET - INNER	
11	C509000080	1	SOCKET - OUTER	



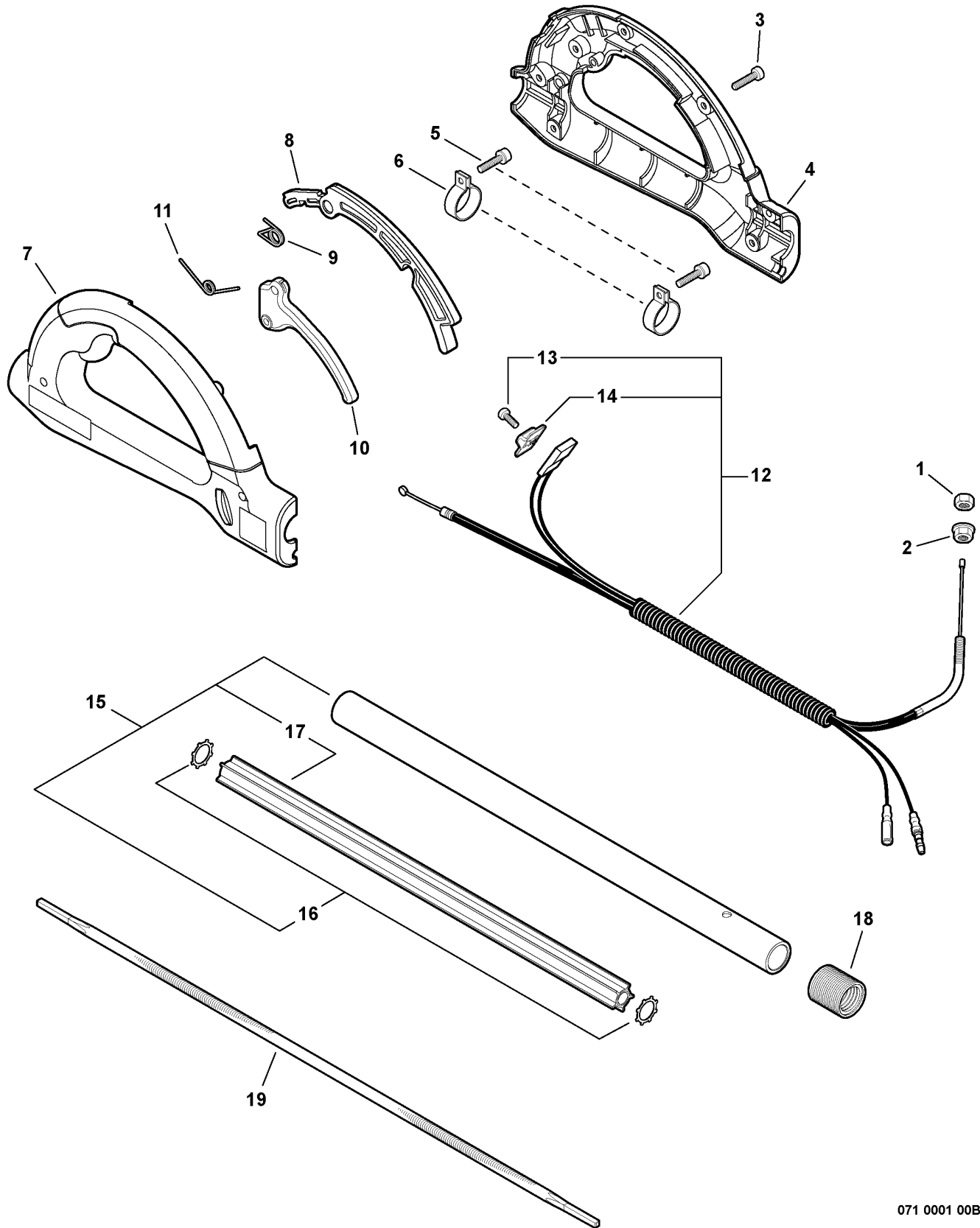
072 0001 00E

ITEM	PART NUMBER	QTY	DESCRIPTION	REMARKS
1	90010505014	1	SCREW 5X14	
2	V253000230	4	SCREW 5X20	
3	V303000071	2	WASHER	
4	C510000191	1	COUPLING ASY	INCLUDES ITEM 5-6
5	V805000160	2	SCREW 5X20	
6	V420001810	2	CUSHION	
7	C504000372	1	DRIVESHAFT ASY - LOWER	INCLUDES ITEMS 8-9
8	9405736002	1	BEARING, BALL	
9	10022922460	1	RETAINING RING	
10	C500000270	1	PIPE, MAIN - ORANGE	



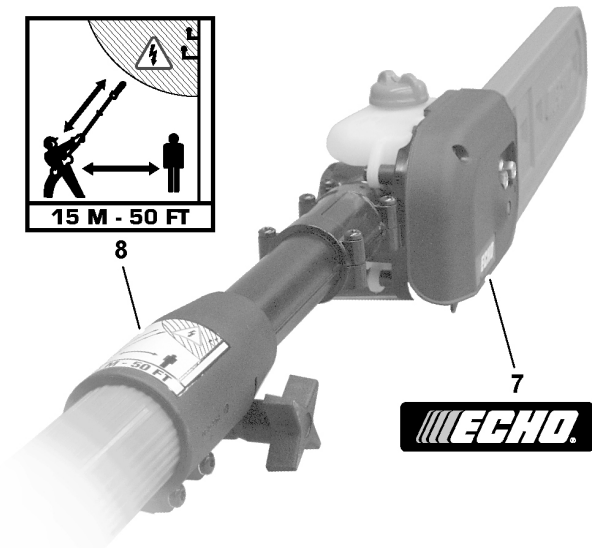
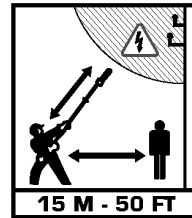
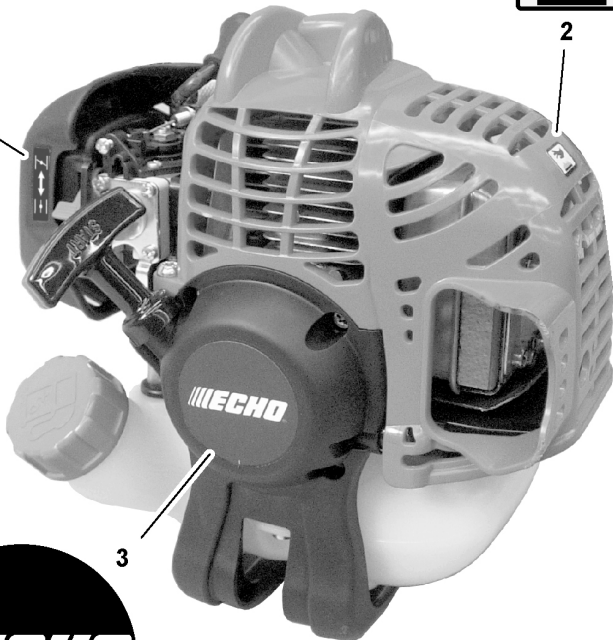
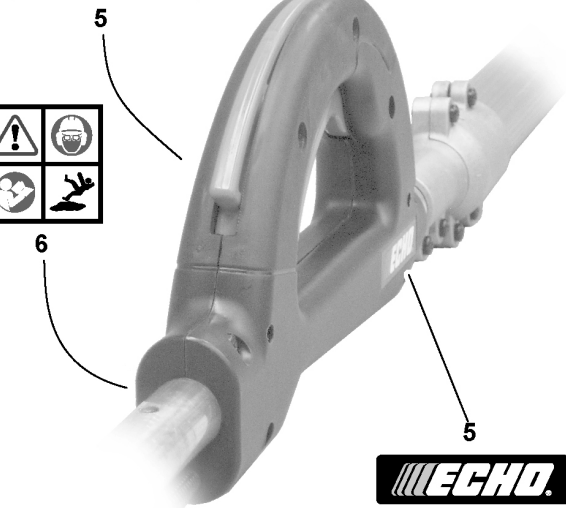
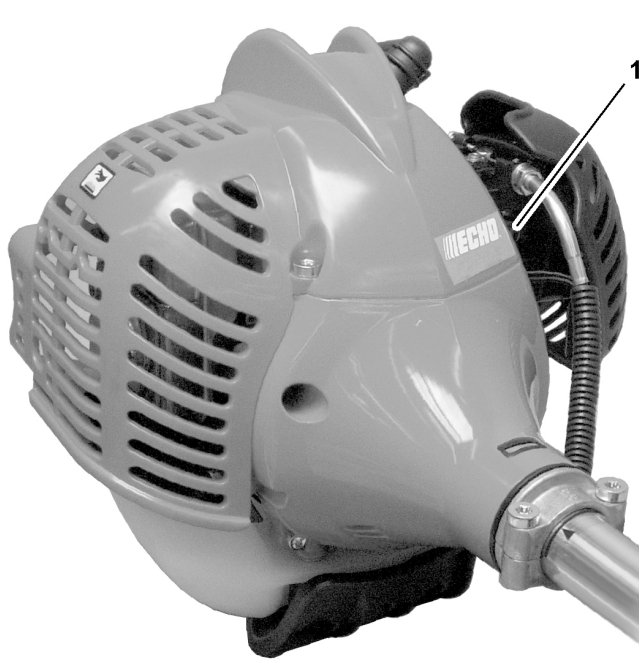
700 0007 000

ITEM	PART NUMBER	QTY	DESCRIPTION	REMARKS
1	30100022060	1	STRAP, SHOULDER	
2	V805000130	1	SCREW	
3	30061022061	1	CLAMP	
4	90056000005	1	LOCKNUT	



071 0001 00B

ITEM	PART NUMBER	QTY	DESCRIPTION	REMARKS
1	90050200006	1	NUT	
2	90051500006	1	FLANGE NUT	
3	V253000210	7	SCREW 5X18	
4	C041000000	1	HANDLE - RIGHT	
5	V253000220	2	SCREW 5X20	
6	V495000680	2	CLAMP	
7	C041000011	1	HANDLE - LEFT	
8	C460000100	1	LOCKOUT, TRIGGER	
9	V452000340	1	SPRING, TRIGGER LOCKOUT	
10	C450000260	1	TRIGGER	
11	V452000330	1	SPRING, TRIGGER	
12	P021033760	1	CONTROL CABLE ASY	INCLUDES ITEMS 13-14
13	9154503010	1	SCREW 3X10	
14	A444000020	1	KNOB, SWITCH	
15	C050000770	1	PIPE ASY	INCLUDES ITEMS 16-17
16	V583000110	2	WASHER	
17	C507000160	1	LINER	
18	V475004000	1	COVER - CORRUGATED	
19	C506000140	1	DRIVESHAFT - FLEXIBLE	



100 0097 0EU

ITEM	PART NUMBER	QTY	DESCRIPTION	REMARKS
1	X547001630	1	LABEL - MODEL -- PPT-235ES	
2	X505002310	1	LABEL - CAUTION -- HOT	
3	X502000330	1	LABEL - ECHO	
4	89033252730	1	LABEL - CHOKE	
5	X502000610	1	LABEL - ECHO	
6	X505002361	1	LABEL - CAUTION	
7	X502000600	1	LABEL - ECHO	
8	X505002371	1	LABEL - WARNING	

Use Gasket Kit	Contains:	Service Number	Description
P021015980		10024242030	GASKET, CRANKCASE
		14586642031	GASKET, EXHAUST
		V100000160	GASKET, CYLINDER
		V103000480	GASKET, INTAKE
		V103000490	GASKET, INTAKE
		V104000360	GASKET, EXHAUST
		V104000850	SHIELD, EXHAUST

300 0043 000

<u>ITEM</u>	<u>PART NUMBER</u>	<u>QTY</u>	<u>DESCRIPTION</u>	<u>REMARKS</u>
1	P021015980	1	GASKET KIT	

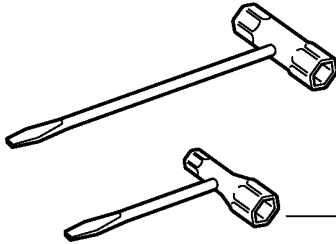
SOCKET WRENCH W/SCREWDRIVER (Also Removes Spark Plugs)

1 - 89541010630 -- 17X19mm

2 - X602000020 -- 17X19mm

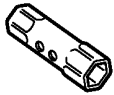
3 - 89541039131 -- 10X19mm

4 - 89541006960 -- 13X19mm



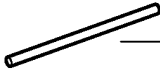
SOCKET WRENCH

5 - X602000031 -- 17X14.5mm



LOCKING ROD

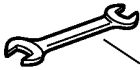
6 - 89751801131 -- 5X120mm



OPEN END WRENCH

7 - 89511200330 -- 8X10mm

8 - 89512220960 -- 17X19mm



9 - 89501505260 -- 10mm



HEX BAR

10 - 89541220960 -- 10mm



HEX KEY

11 - 89561203430 -- 3mm



12 - 89561000130 -- 4mm



13 - 89561100330 -- 5mm



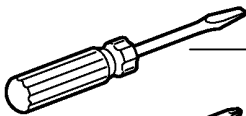
TORX KEY

14 - X605000060 -- T27

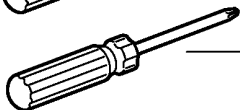


SCREWDRIVER

15 - 89581100130 -- 125mm SLOTTED

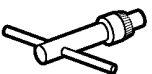


16 - 89581203930 -- 50mm PHILLIPS



CHUCK KEY

17 - 89757005560



Consult Your Operators Manual For The Tools Used With Your Model

200 0002 000

ITEM	PART NUMBER	QTY	DESCRIPTION	REMARKS
1	89541010630	1	SOCKET WRENCH/SCREWDRIVER	17X19mm
2	X602000020	1	SOCKET WRENCH/SCREWDRIVER	17X19mm
3	89541039131	1	SOCKET WRENCH/SCREWDRIVER	10X19mm
4	89541006960	1	SOCKET WRENCH/SCREWDRIVER	13X19mm
5	X602000031	1	SOCKET WRENCH	17X14.5mm
6	89751801131	1	LOCKING ROD	5X120mm
7	89511200330	1	OPEN END WRENCH	8X10mm
8	89512220960	1	OPEN END WRENCH	17X19mm
9	89501505260	1	OPEN END WRENCH	10mm
10	89541220960	1	HEX BAR	10mm
11	89561203430	1	HEX KEY	3mm
12	89561000130	1	HEX KEY	4mm
13	89561100330	1	HEX KEY	5mm
14	X605000060	1	TORX KEY	T27
15	89581100130	1	SCREWDRIVER	125mm SLOT HEAD
16	89581203930	1	SCREWDRIVER	50mm CROSS HEAD
17	89757005560	1	CHUCK KEY	



Part Number Index

Click The Page Number After Any Part Number To View The Diagram Containing That Part.

Part Number	Page	Part Number	Page	Part Number	Page	Part Number	Page
-----	9, 11, 19	90080796001	15	P021014940	23	X505002361	33
10001311520	19	9154503010	31	P021015980	35	X505002371	33
10001411520	19	91VX39CQ	21	P021033760	31	X547001630	33
10001504630	19	9403536201	19	P021033780	15	X602000020	37
10020452132	19	9404206001	23	P022002100	5	X602000031	37
10021242031	19	9405736002	27	P022006830	5	X605000060	37
10022922460	27	A011000101	19	P022006850	5		
10024242030	19	A021001690	11	P022008270	5		
10A0CD3739	21	A051001311	5	P022008280	5		
12532715130	23	A052000180	5	P022010640	23		
12533942030	11	A056000230	15	P022010650	23		
12534252130	11	A101000090	19	P022010660	23		
12534413931	11	A127000160	17	P022010670	23		
12534452130	11	A130000540	19	P022010680	23		
12538108660	11	A160001090	5	P022019680	5		
12901152730	9	A232000480	9	P022019990	5		
13001744331	9	A300000790	13	SB1096	19		
13011014330	23	A313000600	13	V100000160	19		
13031054130	9	A320000480	13	V103000480	9		
13101655830	7	A350000780	7	V103000490	9		
13104528230	23	A366000030	7	V104000360	13		
13120507320	7	A365000050	23	V104000850	13		
13131406320	23	A365000060	7	V137000030	7		
13201256030	7	A409000210	17	V150000371	13		
13201309820	7	A411000130	17	V203000041	23		
13211501461	23	A425000000	17	V224000040	23		
14586240630	13	A426000010	17	V252000040	23		
15911621231	17	A427000013	17	V253000180	23		
16201427230	17	A444000020	31	V253000200	23		
17501439131	23	A556000590	15	V253000210	31		
17722827030	5	A575000100	15	V253000220	31		
17723412220	5	C022000010	23	V253000230	23, 25, 27		
17723661830	5	C041000000	31	V253000240	23		
17724611120	5	C041000011	31	V299000250	9		
30061022061	29	C050000760	25	V299000321	25		
30100022060	29	C050000770	31	V303000071	27		
43301903933	23	C200000080	23	V307000160	23		
43601237830	23	C300000361	23	V347000000	13		
43620502832	23	C309000030	23	V353000231	7		
43706338330	23	C450000260	31	V354000010	23		
43724439130	23	C460000100	31	V355000140	23		
61002522361	23	C500000270	27	V420001810	27		
61091055230	15	C503000080	25	V452000330	31		
61092227432	15	C504000360	25	V452000340	31		
89001122360	25	C504000372	27	V470000180	23		
89033252730	33	C506000140	31	V470000840	7		
89501505260	37	C507000160	31	V471001210	7		
89511200330	37	C509000080	25	V475004000	31		
89512220960	37	C509000090	25	V475004160	17		
89541006960	37	C510000170	25	V485001120	17		
89541010630	37	C510000191	27	V495000680	31		
89541039131	37	C531000030	23	V553000060	19		
89541220960	37	C531000430	23	V583000090	23		
89561000130	37	C534000430	23	V583000110	31		
89561100330	37	C580000070	23	V622000020	15, 19		
89561203430	37	C649000140	23	V651000201	23		
89581100130	37	P005000100	11	V651000210	23		
89581203930	37	P005000190	11	V651000310	23		
89751801131	37	P005000250	11	V651000320	23		
89757005560	37	P005000270	11	V804000060	5, 15		
90010006025	25	P005000280	11	V804000070	17		
90010505014	27	P005001000	11	V804000080	13		
90016205022	19	P005001240	11	V805000000	5		
90016205028	19	P005001260	11	V805000100	9		
90050000005	9, 25	P005001270	11	V805000130	29		
90050200006	31	P005001660	11	V805000150	5, 13, 17		
90051500006	31	P005001670	11	V805000160	5, 7, 9, 15, 27		
90056000005	29	P005001890	11	V805000190	13		
90060300005	5, 7	P005001900	11	X490000060	21		
90070100012	15	P005002050	11	X502000330	33		
90070200028	15	P021007712	19	X502000600	33		
90070600012	23	P021012210	7	X502000610	33		
90072000018	23	P021012870	9	X505002310	33		



Part Description Index

Click The Page Number After Any Part Description To View The Diagram Containing That Part.

<p>A</p> <p>AUTO-OILER ASY.....23</p>	<p>DUCT, AIR.....13</p>	<p>LOCKING ROD.....37 LOCKNUT.....29 LOCKOUT, TRIGGER.....31</p>
<p>B</p> <p>BEARING BALL.....23 BEARING HOLDER ASY.....25 BEARING, BALL.....27 BEARING, BALL - 6001.....15 BEARING, BALL - 6201.....19 BEARING, NEEDLE.....19 BODY, CARBURETOR.....11 BOLT.....23 BOLT 6X25.....25 BULB, PURGE.....11</p>	<p>E</p> <p>E-RING.....5, 11 EYE PLATE.....13</p>	<p>M</p> <p>MAIN PIPE ASY - BLACK.....25 MUFFLER.....13</p>
<p>C</p> <p>CAP ASY.....7 CAP ASY - ORANGE.....23 CAP, LIMITER.....11 CAP, OIL PUMP.....23 CAP, SPARK PLUG.....17 CARBURETOR.....9 CARBURETOR -- RB-K93.....11 CASE, AIR CLEANER.....9 CASE, GEAR - LOWER.....23 CASE, GEAR - UPPER.....23 CHUCK KEY.....37 CIRCLIP.....23 CIRCLIP 12.....15, 23 CIRCLIP 28.....15 CIRCLIP, PISTON PIN.....19 CLAMP.....17, 29, 31 CLIP.....7 CLUTCH ASY.....15 COIL, IGNITION.....17 COLLAR.....7, 23 CONICAL WASHER.....13 CONNECTOR, CAP.....23 CONNECTOR, CAP.....7 CONNECTOR, SHAFT.....23 CONTROL CABLE ASY.....31 COUPLING.....25 COUPLING ASY.....27 COVER - CORRUGATED.....31 COVER, DEBRIS.....17 COVER, DIAPHRAGM.....11 COVER, ENGINE.....5 COVER, GUIDE BAR.....21 CRANKCASE KIT.....19 CRANKSHAFT ASY.....19 CUSHION.....15, 27 CYLINDER.....19</p>	<p>F</p> <p>FAN COVER ASY.....15 FILTER, AIR.....9 FILTER, FUEL.....7 FILTER, OIL.....23 FLANGE NUT.....31 FLANGE NUT 6.....23 FLYWHEEL.....17</p>	<p>N</p> <p>NEEDLE - HIGH SPEED.....11 NEEDLE, ADJUST.....23 NUT.....9, 25, 31</p>
<p>D</p> <p>DIAPHRAGM, METERING.....11 DIAPHRAGM, PUMP.....11 DIAPHRAGM/GASKET KIT.....11 DOWEL PIN - 4X7.8mm.....15, 19 DRIVESHAFT - FLEXIBLE.....31 DRIVESHAFT - UPPER.....25 DRIVESHAFT ASY - LOWER.....27 DRUM.....5 DRUM, CLUTCH.....15</p>	<p>G</p> <p>GASKET KIT.....35 GASKET, CAP.....7 GASKET, CRANKCASE.....19 GASKET, CYLINDER.....19 GASKET, EXHAUST.....13 GASKET, INTAKE.....9, 19 GASKET, METERING.....11 GASKET, PUMP.....11 GEAR - 14 TOOTH.....23 GEAR, BEVEL - 15 TOOTH.....23 GEAR, BEVEL - 23 TOOTH.....23 GEAR, WORM.....23 GRIP, STARTER.....5 GROMMET.....23 GROMMET, FUEL.....7 GUARD, SPROCKET.....23 GUIDE BAR - 10" -- Double Guard 91.....21 GUIDE, EXHAUST.....13</p>	<p>O</p> <p>O RING.....23 OIL SEAL.....19 OPEN END WRENCH.....37 O-RING.....11</p>
<p>E</p> <p>INSULATOR, INTAKE.....9</p>	<p>H</p> <p>HANDLE - LEFT.....31 HANDLE - RIGHT.....31 HEX BAR.....37 HEX KEY.....37 HOLDER - LOWER.....15 HOLDER -- UPPER.....15 HOOK.....23</p>	<p>P</p> <p>PAD, FOAM.....23 PAWL, STARTER.....5 PIN, METERING LEVER.....11 PIN, PISTON.....19 PIPE ASY.....31 PIPE, FUEL - 3X5X180mm.....7 PIPE, MAIN - ORANGE.....27 PIPE, OIL - 3X6X75mm.....23 PIPE, OIL OUTLET.....23 PIPE, RETURN - 3X6X80mm.....7 PIPE, VENT - 3X5X90mm.....7 PISTON KIT.....19 PLATE, CAM.....5 PLATE, PREVENT.....9 PLUNGER.....23 PURGE BASE ASY.....11</p>
<p>F</p> <p>KNOB.....25 KNOB, SWITCH.....31</p>	<p>I</p> <p>INSULATOR, INTAKE.....9</p>	<p>R</p> <p>RECOIL STARTER ASY.....5 REPAIR KIT.....11 RETAINER, PURGE BULB.....11 RETAINING RING.....27 RING, PISTON.....19 RIVET.....25 ROLLER, GUIDE.....11 ROPE, STARTER - 3X700mm.....5 ROTOR COVER ASY.....11</p>
<p>G</p> <p>LABEL - CAUTION.....33 LABEL - CAUTION -- HOT.....33 LABEL - CHOKE.....33 LABEL - ECHO.....33 LABEL - MODEL -- PPT-235ES.....33 LABEL - WARNING.....33 LEAD, GROUND.....17 LEAD, IGNITION.....17 LEVER, METERING.....11 LID, AIR CLEANER.....9 LINER.....31</p>	<p>J</p> <p>KNOB.....25 KNOB, SWITCH.....31</p>	<p>S</p> <p>SAWING CHAIN.....21 SCREEN, MUFFLER.....13 SCREW.....5, 29 SCREW 3X10.....31 SCREW 4X16.....5, 15 SCREW 4X20.....17 SCREW 4X8.....13, 23 SCREW 5X10.....23 SCREW 5X14.....27 SCREW 5X16.....5, 13, 17 SCREW 5X16 - TAPPING.....5 SCREW 5X18.....31 SCREW 5X20.....5, 7, 9, 15, 23, 25, 27, 31 SCREW 5X22.....19</p>



Part Description Index (continued)

SCREW 5X25.....23
 SCREW 5X28.....19
 SCREW 5X55.....13
 SCREW 5X65.....9
 SCREW, DIAPHRAGM COVER.....11
 SCREW, METERING LEVER PIN.....11
 SCREW, PURGE BASE ASY.....11
 SCREW, PURGE BULB RETAINER.....11
 SCREW, ROTOR COVER.....11
 SCREW, ROTOR COVER ASY.....11
 SCREW, THROTTLE ADJUST.....11
 SCREWDRIVER.....37
 SHAFT, GEAR.....23
 SHIELD, EXHAUST.....13, 19
 SHIELD, INTAKE.....9, 19
 SHORT BLOCK.....19
 SOCKET - INNER.....25
 SOCKET - OUTER.....25
 SOCKET WRENCH.....37
 SOCKET WRENCH/SCREWDRIVER.....37
 SPACER.....23
 SPACER, PISTON PIN.....19
 SPARK PLUG -- BPMR-8Y.....17
 SPRING.....23
 SPRING, DAMPER.....5
 SPRING, METERING LEVER.....11
 SPRING, RETURN.....5
 SPRING, REWIND.....5
 SPRING, TRIGGER.....31
 SPRING, TRIGGER LOCKOUT.....31
 SPROCKET, DRIVE.....23
 STARTER PAWL ASY.....5
 STOPPER, ROPE.....5
 STRAINER.....11
 STRAP, SHOULDER.....29
 SWIVEL.....11

T

TANK, FUEL.....7
 TANK, OIL.....23
 TENSIONER.....23
 TERMINAL, SPARK PLUG CAP.....17
 THREADED STUD 6.....23
 THUMB SCREW.....9
 TORX KEY.....37
 TRIGGER.....31
 TUBE, INSULATOR.....17

V

VALVE, INLET NEEDLE.....11
 VENT ASY.....7, 23

W

WASHER.....5, 23, 27, 31
 WASHER - RUBBER.....23
 WASHER 5.....7

NOTES



ECHO, INCORPORATED

400 Oakwood Road
Lake Zurich, IL 60047 USA

WWW.ECHO-USA.COM
