

POSEIDON 5 PA and FA

Model:

POSEIDON 5-32 PA
POSEIDON 5-41 PA
POSEIDON 5-47 PA
POSEIDON 5-52 FA
POSEIDON 5-53 PA
POSEIDON 5-56 FA
POSEIDON 5-56 PA
POSEIDON 5-62 FA
POSEIDON 5-62 PA



Part List US-English

16-03-2015

Nilfisk
ALTO
works for you

www.nilfisk-alto.com

Table of Contents

POSEIDON 5 PA and FA

Overview	3
Hose reel	6
Electric box	8
Motor pump	11
Cylinder head	14
Unloader FA	16
Unloader PA	18
Unloader PA without water regulation	20
Accessories	22
Recommended spare parts	24

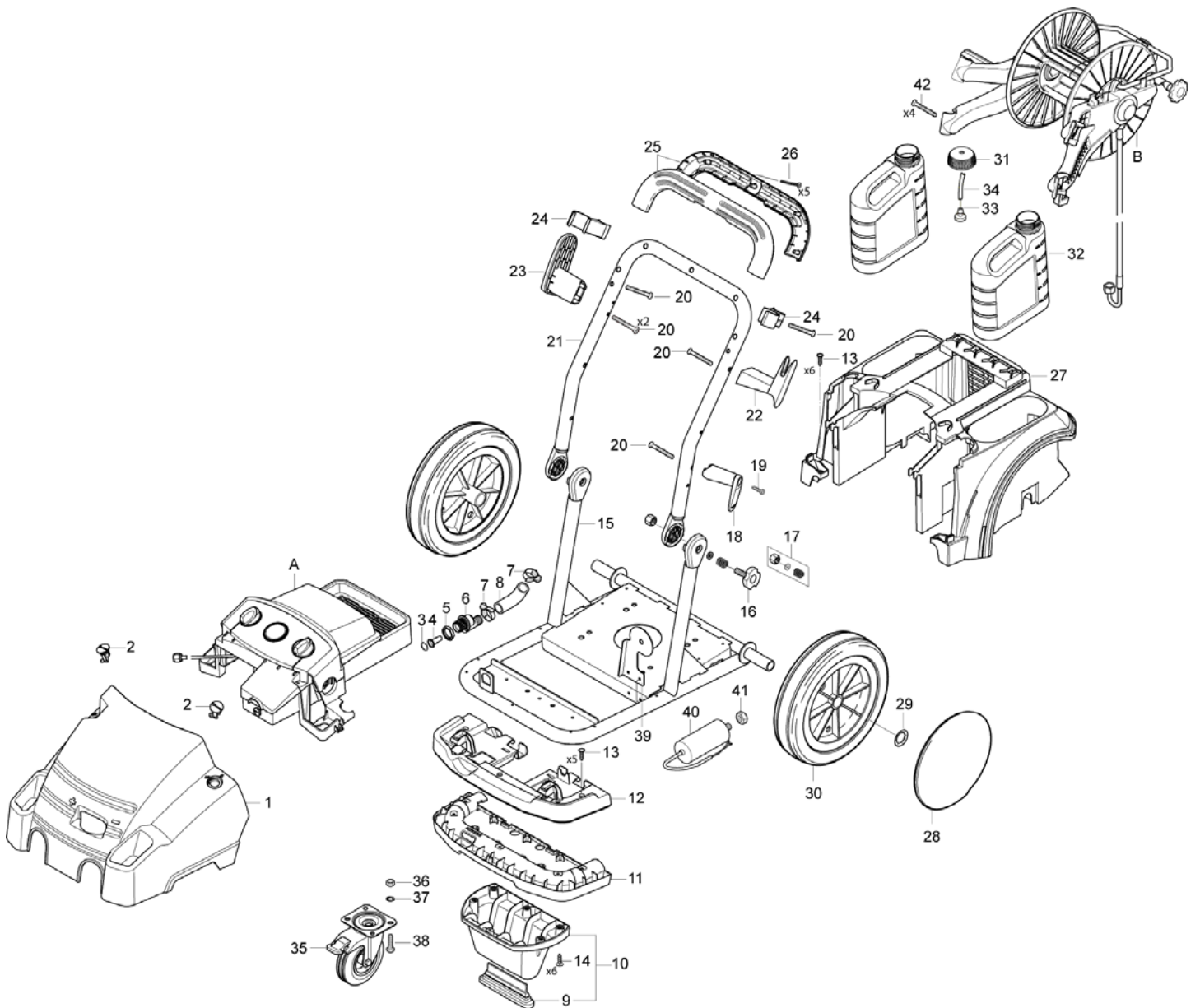
Overview

POSEIDON 5 PA and FA

16-03-2015

Part List ID
POS5Z02

3



Overview

POSEIDON 5 PA and FA

16-03-2015

Part List ID
POSSZ02

4

Pos	Part no.	Qty	Description	
1	107140958	1	CABINET FRONT NA POSEIDON 5 UNITOR	
1	107141600	1	CABINET FRONT NA POSEIDON 5	
1	107141601	1	CABINET FRONT NA POS 5 NO REGULATION	
2	301001261	2	LOCKING BOLT D29X35	
3	107141667	1	LOCK WASHER	
4	101117926	1	FILTER	
5	1800341	1	LOCK NUT 3/4IN	
6	107141668	1	WATER INLET PIPE NA5/NA6	
7	23221	2	HOSE CLAMP 20-32	
8	107141670	1	RUBBER ELBOW NA5/NA6	PA
8	107141697	1	RUBBER ELBOW NA5/NA6 FA	FA
9	107141615	1	RUBBER FOOT	
A		1	USE LINK	El-box
B		1	USE LINK	Hose reel
10	101118100	1	FRONT FOOT FOR POSEIDON KIT	
11	107141617	1	BUMPER BOTTOM	
12	107141618	1	BUMPER TOP	
13	107141690	5	SCREW M5X12 DIN7985 TORX TAPTITE	
14	101814782	6	SCREW K50X18 WN 1412 GALVANIZED	
15	107141620	1	FRAME NA5	
15	107141622	1	FRAME STAINLESS STEEL	
16	107141672	2	GRIB FOR FOLDABLE HANDLE	
17	101118104	2	SPRING AND LOCK NUT KIT	
18	107141625	1	CABLE HOOK MOVABLE BLACK	
19	101814782	1	SCREW K50X18 WN 1412 GALVANIZED	
20	107141627	10	SCREW K50X40 T20	
21	107141623	1	FRAME HANDLE	
22	107141632	1	CABLE HOOK	
23	107141629	1	HOSE HOOK	
24	107141630	1	LANCE HOLDER NA	
25	101118101	1	HANDLE KIT	
26	909100148	5	SCREW K40X30 WN 1452	
27	107141634	1	REAR END	
28	107140961	1	WHEEL CAP D300 UNITOR	
28	301001077	2	WHEEL CAP D234	
29	46363	2	CLAMPING RING D25	
30	6184074	2	WHEEL 300	
31	107141664	2	CAP FOR DETERGENT TANK	
32	107141635	2	DETERGENT BOTTLE 2.5 L	
33	6400240	1	CHEMICAL FILTER /PLASTIC/	
34	5206636	1	HOSE 6/10	
35	107141607	1	WHEEL W. BRAKE D125	
36	1800515	4	Lock Nut M8 - 8 A2K DIN 985	

Overview

POSEIDON 5 PA and FA

16-03-2015

Part List ID
POSSZ02

5

Pos	Part no.	Qty	Description
37	1800796	4	WASHER M8
38	2753	4	HEX. SCREW M8X20 ISO 4017 ZN
39	107141611	1	PLATE FOR CAPACITOR
40	107141619	1	CAPACITOR 170MF 230-240/1/50 UK, AU
40	107141732	1	CAPACITOR 140 UF SPARE PART US
41	61467	1	HEXAGON NUT M8
42	107141695	4	SCREW K50X35 TORX 20 WN5452 BLACK

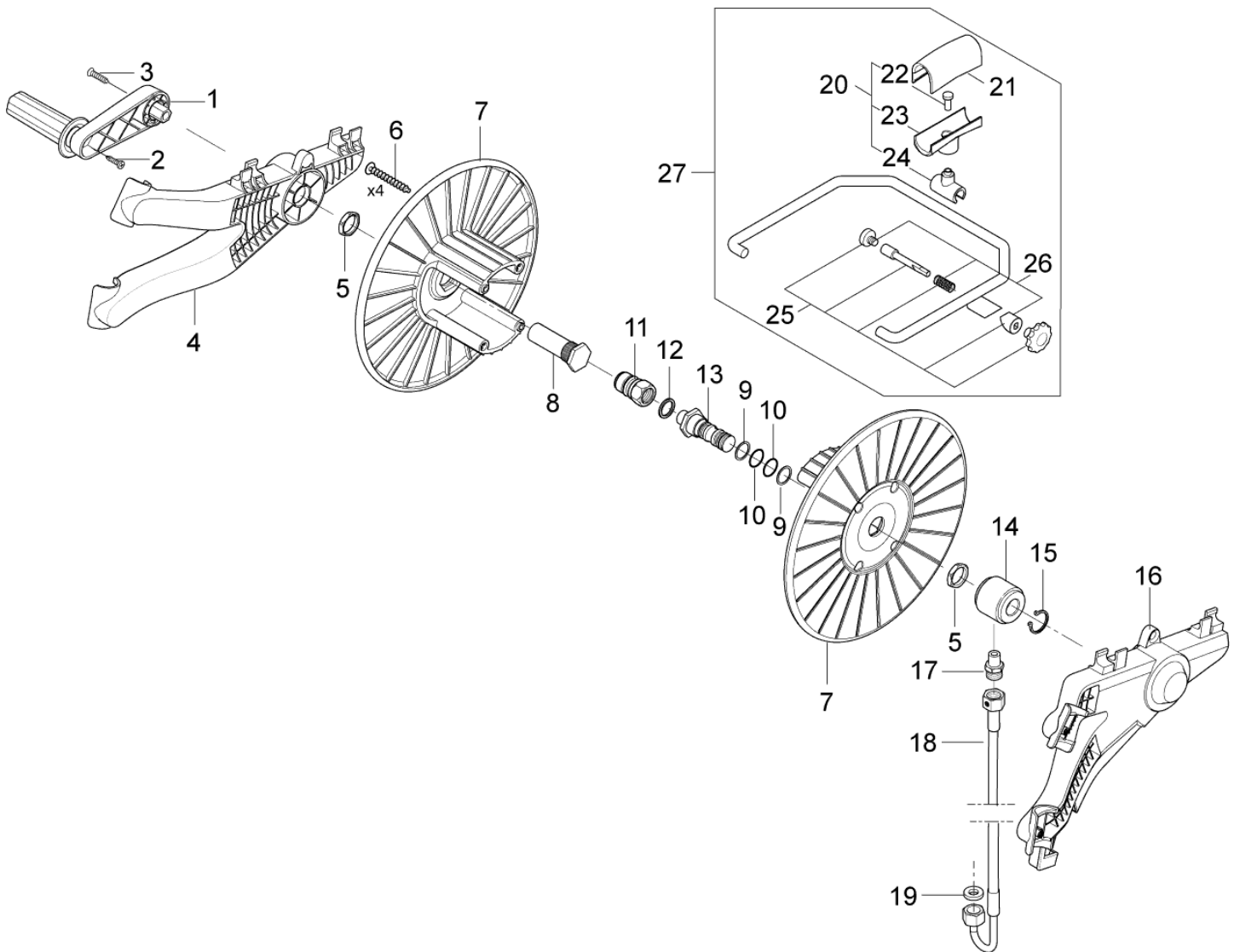
Hose reel

POSEIDON 5 PA and FA

16-03-2015

Part List ID
POS5Z04

6



Hose reel

POSEIDON 5 PA and FA

16-03-2015

Part List ID
POSSZ04

7

Pos	Part no.	Qty	Description
0	106403143	1	HOSE REEL COMPLETE
1	101118102	1	HOSE REEL HANDLE KIT
2	107141838	1	SCREW K50X18 WN1451 BLACK TORX20
3	107141673	1	SCREW M6X45 ISO 7380 BLACK TORX
4	107141674	1	ADAPTOR RIGHT FOR HOSE REEL
5	62696	1	HEXAGON NUT M24X1.5X6
6	909100153	1	SCREW 6X40
7	301000775	1	HOSE DRUM SECTION
8	107141675	1	AXLE FOR HOSE REEL
9	63792	2	SUPPORTING RING 16.26X2.18
10	19620	2	O-RING 15.54x2.62 DIN 3771 NBR70
11	1600493	1	Nippel F. Q-COUPL. 3/8 INCH
12	1801075	1	PACKING RING 23.8X17.2X2 3/8 INCH St-NBR
13	107141676	1	SWIVEL SCREW FOR HOSE REEL
14	301000977	1	BEARING BUSH
15	1802057	1	CIRCLIP EXTERNAL 20X1.2 STEEL. DIN 471
16	107141677	1	ADAPTOR LEFT FOR HOSE REEL
17	54590	1	FITTING XGE12L 1/4NPT
18	107141678	1	CONNECTION HOSE FOR HOSE REEL
19	65466	1	PACKING RING 8X15X1 DIN7603 A CU
20	101118103	1	HOSE GUIDE PARTS KIT
21	301000674	1	HOSE GUIDE SECTION - UPPER 70X31.7X28.5
22	10028	1	SCREW KA50X14 WN1411
23	301000676	1	HOSE GUIDE SECTION LOWER
24	107141679	1	HOSE GUIDE SLEEVE OPEN
25	101118106	1	HOSE GUIDE BRAKE COMPLETE KIT
26	101118111	1	HOSE GUIDE KIT
27	101118105	1	HOSE GUIDE COMPLETE

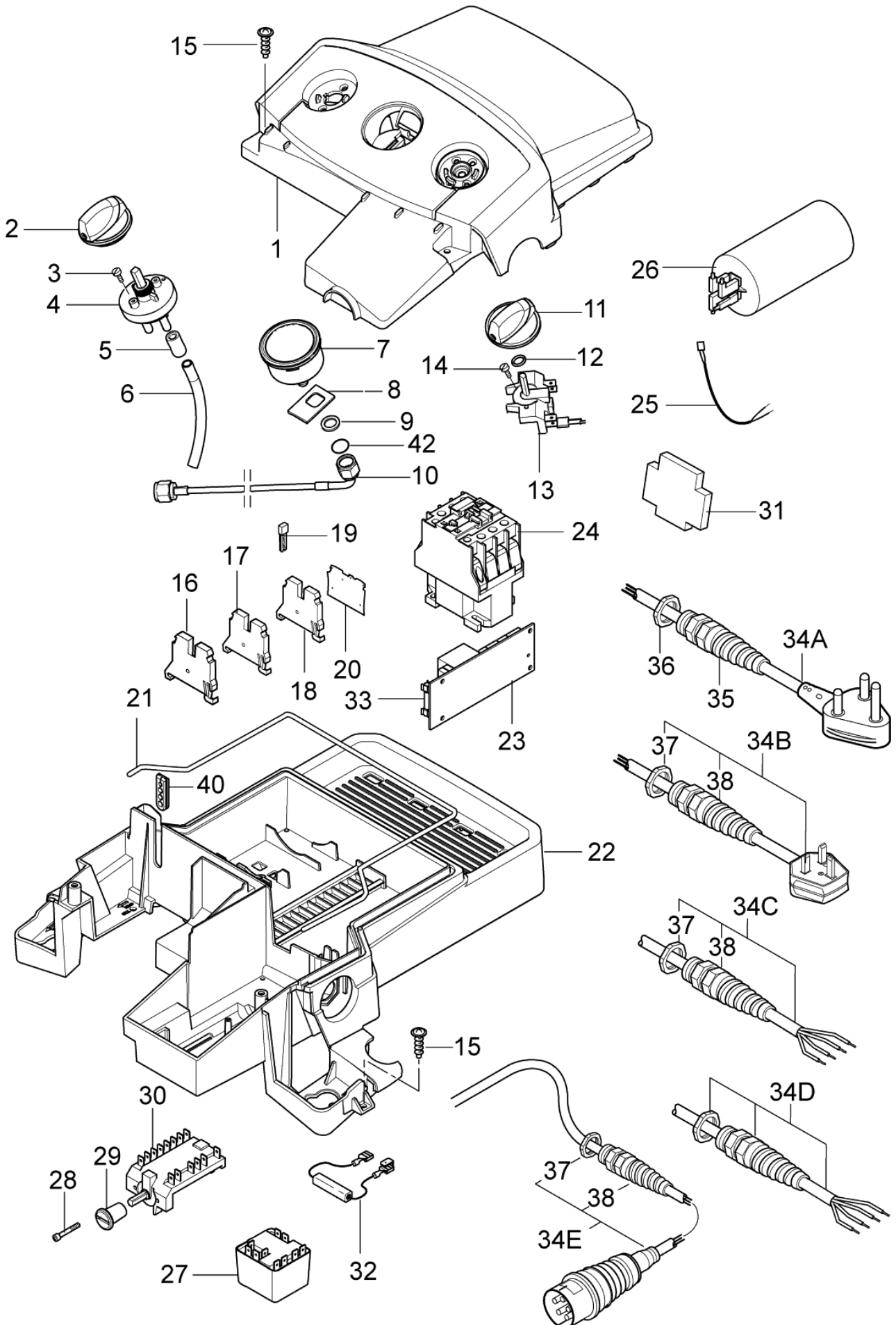
Electric box

POSEIDON 5 PA and FA

16-03-2015

Part List ID
POS5Z06

8



Electric box

POSEIDON 5 PA and FA

16-03-2015

Part List ID
POSSZ06

9

Pos	Part no.	Qty	Description	
0	101118143	1	START RELAY KIT F. POSEIDON 5-6-7 1PH US	Includes pos. 27 and 32
0	101118144	1	START RELAY KIT F. POSEIDON 5 1PH GB/AUS	Includes pos. 27 and 32
1	107141644	1	E-BOX TOP F. 1-POS SWITCH AND DET. BLACK	1 pos. and detergent
1	107141645	1	E-BOX TOP F. 2-POS SWITCH AND DET. BLACK	2 pos. and detergent
1	107141646	1	E-BOX TOP F. 1-POS SWITCH-NO DET. BLACK	1 pos. without detergent
2	909100214	1	ROTARY KNOB GR.1 4KT. 6X6+8X8 BLUE	
3	1814730	2	SCREW 35X10B W1423	
4	301001000	1	VALVE 51X70	
5	301001906	1	CLOSING CAP D12X21.5	
6	5206636	1	HOSE 6/10	
7	107141648	1	MANOMETER 0-300 BAR	
8	107141650	1	PLATE FOR MANOMETER	
9	107141651	1	WASHER M12 13X24X2.5 A2 DIN125	
10	107141652	1	MANOMETER TUBE	PA
10	107141653	1	MANOMETER TUBE FA MODELS	FA
11	909100204	1	ROTARY KNOB 6X5 BLUE	
12	9868	1	O-RING 10.2X2.5 NBR 70	
13	28877	1	SWITCH 10A 400V AC	2-POS.
13	301001058	1	CAM SWITCH 0-1 10A 400VAC	1-POS.
14	18274	1	COUNTERSUNK SCREW M4X12	
15	101814782	6	SCREW K50X18 WN 1412 GALVANIZED	
16	103821922	1	DIN-END STOP WO/SCREW WAGO 249-116	
17	107141633	1	TERMINAL BLOCK 4Q PE	
18	103821967	1	WIRE TERMINAL WAGO281 800V 4MM2	
19	103821969	1	JUMPER	
20	103821968	1	END PLATE WAGO 4MM2	
21	101406054	1	SPONGE RUBBER Ø 4 1M	
22	107141654	1	E-BOX BOTTOM DRILLED /CABLE/	
22	107141655	1	E-BOX BOTTOM DRILLED /SWITCH/	Star/triangle
22	107141665	1	E-BOX BOTTOM	
23	107141666	1	PCB POSEIDON 5-6-7	
24	103822303	1	CONTACTOR CJX2-D18 18A 400V 3P+NO	400/3/50Hz
24	103822304	1	CONTACTOR CJX2-D18 18A 230V 3P+NO	230/1/50Hz
24	103822314	1	CONTACTOR CJX2-D32 32A 230V 3P+NO	(220-240/1/60 US) (200/3/50-60Hz JP)
24	63910	1	CONTACT 100-C23KF10 23	220/440/3/50/60Hz
25	107141656	1	PCB WIRE for B4	
25	107141796	1	PCB WIRE FOR SUCTION MODE	
26	101117947	1	CAPACITOR 100UF 450V DOUBLE 6.3 FASTON	5-52FA
26	101117948	1	CAPACITOR 70UF 400/450V DOUBLE FASTON	230/1/50 UK
27	107140967	1	START RELAY RVA4N0C	230/1/50 UK
27	107140968	1	START RELAY RVAH4AH0C	220-240/1/60 US
28	40045	2	PAN HEAD SCREW M4X30	
29	64580	1	ROTARY KNOB	

Electric box

POSEIDON 5 PA and FA

16-03-2015

Part List ID
POSSZ06

10

Pos	Part no.	Qty	Description	
30	301000293	1	SWITCH START/TRIANGLE 16	
31	64773	1	AUXILIARY CONTACT 100-SBL11	
32	107141730	1	DISCHARGE RESISTOR 15KOHM/7W	230/1/50 UK, 220-240/1/60 US
33	301000263	1	FUSE 0.63A/500AT Ø 6.	
35	909100198	1	SCREWED CABLE GLAND M25X1.5	M25
36	909100020	1	HEXAGON THIN NUT M25X1.5 EN 50262 PA	M25
37	909100019	1	HEXAGON THIN NUT M20X1.5 EN 50262 PA	M20
38	909100043	1	CABLE SCREWING W. ANTIBUC. M20X1.5	M20
40	107141663	1	RUBBER GROMMET	
42	31000508	1	O-RING NBR	
34A	301000407	1	POWER CORD SJOW AWG10/3X9.0	US
34B	301000912	1	POWER CORD H07RN-F 3G1.5X6.0	5-32 PA 230/1/50 UK M25 - M20
34C	301000833	1	POWER CORD H07RN-F 4G2.5X6.0	NO, EXP.
34D	107140962	1	POWER CORD H07RN-F 4G1.5X9M WO/PLUG	UNITOR
34D	301000834	1	POWER CORD H07RN-F4G1.5X6	EU, 3ph
34D	301001384	1	POWER CORD VCT 4X3.5X10,8M W/O PLUG AEH	JP

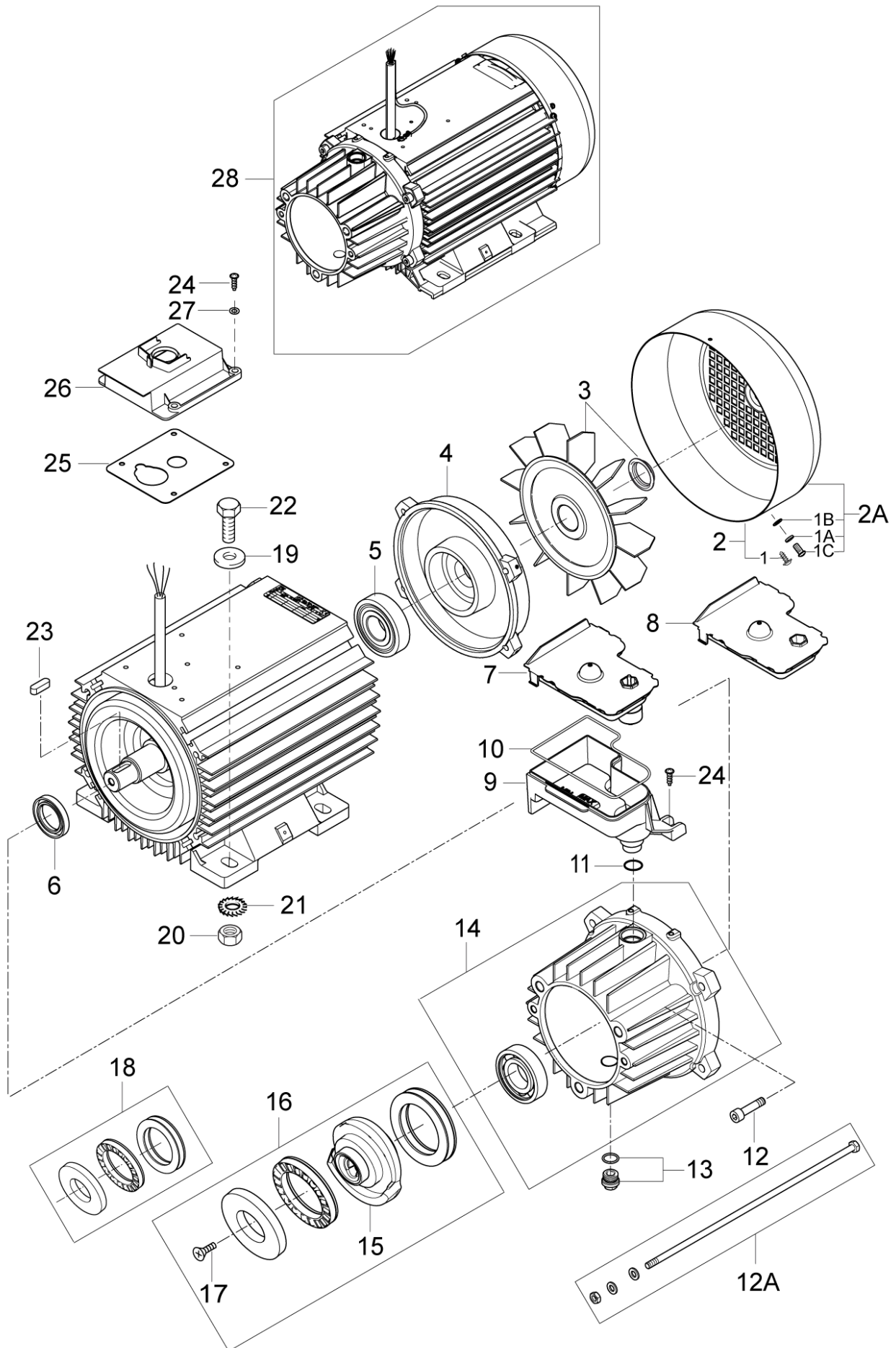
Motor pump

POSEIDON 5 PA and FA

16-03-2015

Part List ID
POSSZ10

11



Motor pump

POSEIDON 5 PA and FA

16-03-2015

Part List ID
POSSZ10

12

Pos	Part no.	Qty	Description	
0	107144146	1	PUMP OIL NA5 1X1 LITER BOTTLE	
0	5218433	1	PUMP OIL 150 1X1L	P5-32 UK
1	31000489	1	SCREW 3X9.5 MUSHROOM HEAD EME	EME
2	107144127	1	FAN COVER - EME	EME
3	107144124	1	FAN W/LOCK RING - EME	EME
3	107144125	1	FAN W LOCK RING RF	RF
4	31000148	1	REAR BEARING COVER RF	RF
4	31000150	1	REAR BEARING COVER EME	EME
5	31000149	1	REAR BEARING 6306 2Z C3 150 DEGREES RF	
5	31000151	1	REAR BEARING EME	
6	G120414	1	OIL SEALING RING Ø30XØ47X7	
7	107140883	1	OIL CONTAINER TOP W/LEVEL SENSOR	
8	107140877	1	OIL CONTAINER TOP	
9	107140879	1	OIL CONTAINER BOTTOM	
10	107140878	1	SEALING TAPE D4 YARD-WAR/CELLULAR RUBBER	
11	3004221	1	O-RING 16X2 NITRIL 70 SHORE	
12	2751	4	HEX SCREW M8X35 ISO 4017 ZN	EME
13	107141982	1	OIL PLUG W/O-RING AND MAGNET NA5.2	
15	107141960	1	WOBBLE DISC 7.2 DEG. NA5.2	5-32 PA, 5-30 PA
15	107141961	1	WOBBLE DISC 8.4 DEG. NA5.2	5-47 PA 200/3/60 JP
15	107141962	1	WOBBLE DISC 8.7 DEG. NA5.2	5-41 PA, 400/3/50
15	107141963	1	WOBBLE DISC 9.15 DEG. NA5.2	5-56 PA, 60Hz
15	107141964	1	WOBBLE DISC 10.2 DEG. NA5.2	5-52 FA, 5-47 PA 200/3/50 JP
15	107141965	1	WOBBLE DISC 10.9 DEG. NA5.2	5-56 FA, 5-46PA, 5-53 PA - 50Hz
15	107141966	1	WOBBLE DISC 12 DEG. NA5.2	5-62 FA 400/3/50
16	107141971	1	WOBBLE DISC 12 DEG. BEARING KIT NA5.2	5-62 FA 400/3/50
16	107141972	1	WOBBLE DISC 10.9 DEG. BEARING KIT NA5.2	5-56 FA 400/3/50 EU, 5-53 PA 400/3/50 EU
16	107141973	1	WOBBLE DISC 10.2 DEG. BEARING KIT NA5.2	5-52 FA 220-240/1/60 USA, 5-47 PA 200/3/50 JP
16	107141975	1	WOBBLE DISC 9.15DEG.BEARING KIT NA5.2	5-56 PA 220/440/3/60 EXPT
16	107141976	1	WOBBLE DISC 8.4DEG.BEARING KIT NA5.2	5-47 PA 200/3/60 JP
16	107141977	1	WOBBLE DISC 8.7 DEG. BEARING KIT NA5.2	5-41 PA 400/3/50 EU
16	107141984	1	WOBBLE DISC 7.2 DEG. BEARING KIT NA5.2	5-32 PA 230/1/50 UK, 5-30 PA 240/1/50 AU
17	107141502	1	SCREW M8 X 20 DIN 7991	
18	101118081	1	BEARING KIT NA5 FA PA	
19	2767	7	WASHER 10.5 X 20 X 2	
1A		1	NOTE COMMENT	Ø5 spring washer
1B		1	NOTE COMMENT	Ø5 flat washer
1C	31000488	1	SCREW M5X8 CYLINDER HEAD PH NOTCH RF	RF
20	1800465	4	NUT M10 DIN 934	
21	10204	4	SERRATED LOCK WASHER A10	
22	8927	4	HEXAGON HEAD CAP SCREW M10X 35 ISO 4017	
23	19639	1	PARALLEL KEY 8X7X25 A DIN 6885 St	
24	107140881	2	SCREW M5X12 DIN 7985 TORX	

Motor pump

POSEIDON 5 PA and FA

16-03-2015

Part List ID
POSSZ10

13

Pos	Part no.	Qty	Description	
25	107140875	1	SEALING BETWEEN E-BOX AND MPU	
26	107140876	1	COVER FOR E-BOX ON MOTOR	
27	2767	4	WASHER 10.5 X 20 X 2	
28	107141953	1	MOTOR 6.7KW 220-440/230-400/3 50/60HZ-EU	5-62
28	107141954	1	MOTOR 5.5 KW 220/230-400/440/3/50/60 EU	5-53, 5-56
28	107141955	1	MOTOR 5.2 KW/220/1 60HZ 5-52 US	5-52 US
28	107141956	1	MOTOR 2.2 KW/230/1 50HZ	5-32 UK
28	107141957	1	MOTOR 4KW 200/3/50-60HZ JP 5-47 JP	5-47 JP
28	107141958	1	MOTOR 4KW 230-400/220-440 3/50-60HZ NA5	5-41
2A	107144126	1	FAN COVER RF	RF
12A	31000504	1	STAY BOLT M8X265 RF	RF incl nut and washer, 5-41, 5-47, 5-53, 5-56
12A	31000505	1	STAY BOLT M8X290 RF	RF incl nut and washer, 5-52, 5-62

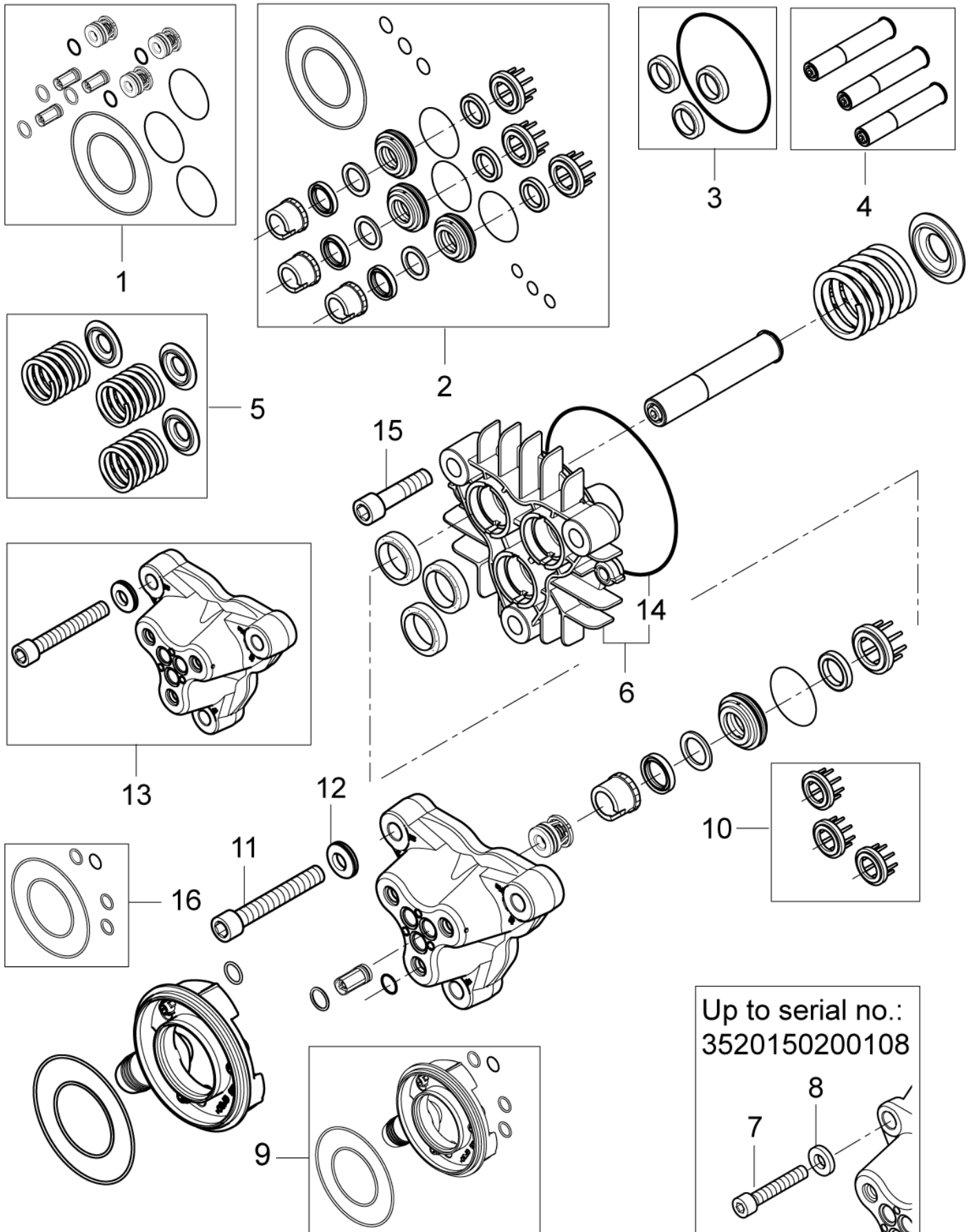
Cylinder head

POSEIDON 5 PA and FA

16-03-2015

Part List ID
POS5Z12

14



Cylinder head

POSEIDON 5 PA and FA

16-03-2015

Part List ID
POSSZ12

15

Pos	Part no.	Qty	Description
1	101118121	1	VALVE KIT - NA5
2	101118123	1	WATER SEAL KIT W/NEW SUPPORT RING - NA5
3	107144102	1	OIL SEAL KIT - NA5
4	107144103	1	PISTON KIT - NA5
5	107144104	1	SPRING KIT - NA5
6	107141983	1	CYLINDER BLOCK W/O-RING NA5.2 TSB-PPW-2015-002 NA5.2 Pump Information
7	107141513	3	CYLINDRICAL SCREW M12X65 12.9 DELTASIL
8	107141727	3	WASHER 20x13x2 ISO7092 ZINC PLATED
9	101118078	1	WATER INLET KIT FOR NA5
10	107140919	1	SUPPORT RING NA5 SPARE VPE 3
11	107141968	3	CYL.SCREW M12X80 WITH NORDLOCK WASHER
12	107141969	3	WASHER NLX12SP ?12.5X?19.5X3.5MM
13	107141985	1	CYLINDER HEAD NA5.2 W. SCREWS WASHERS TSB-PPW-2015-002 NA5.2 Pump Information
14	107141512	1	O-RING D114 X D1.78 NBR 72
15	4042	2	CYLINDER SCREW M8X40 ISO 4762 8.8 ZN
16	101118080	1	SEAL KIT FOR WATER INLET FOR NA5 FA PA

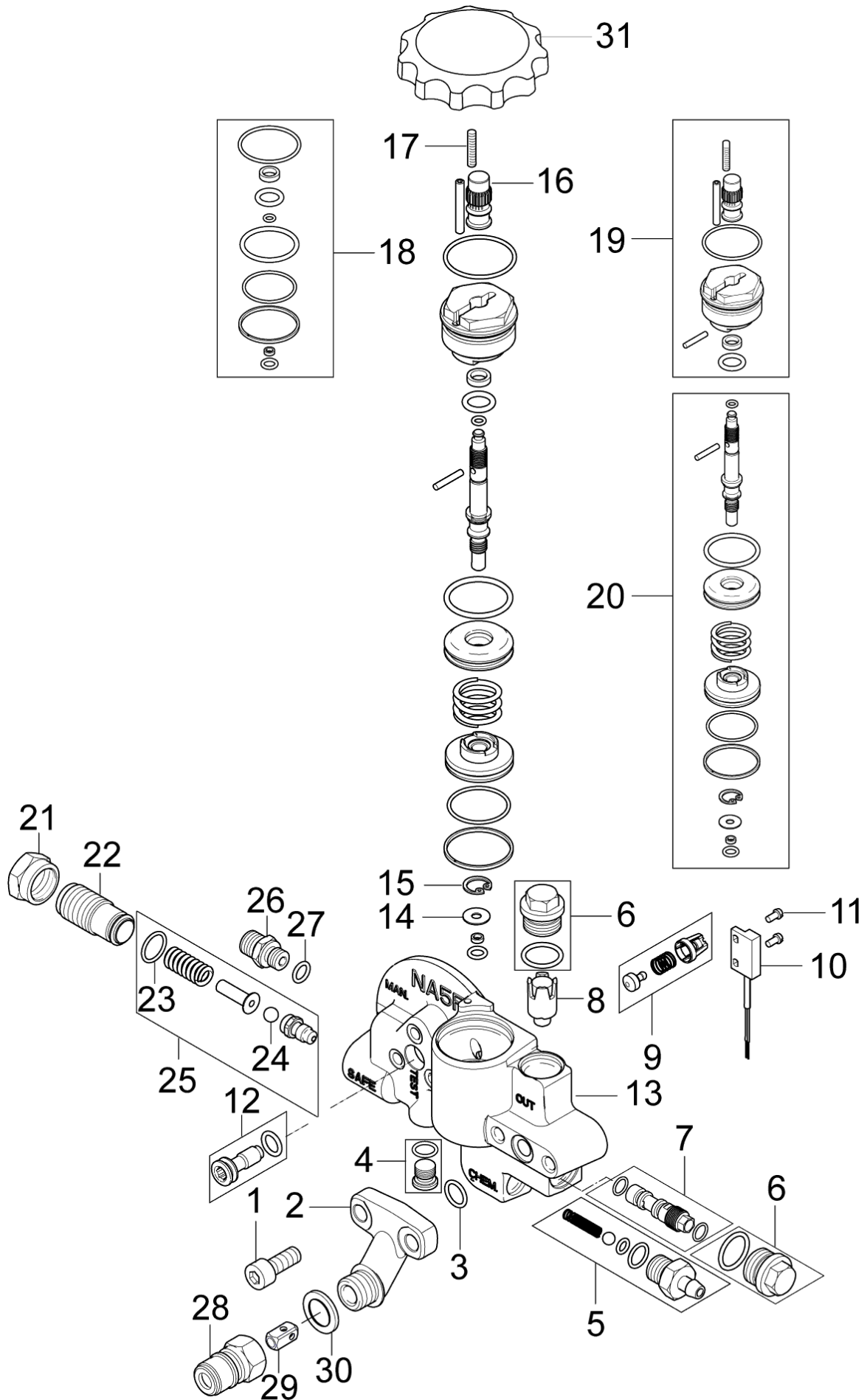
Unloader FA

POSEIDON 5 PA and FA

16-03-2015

Part List ID
POSSZ14

16



Unloader FA

POSEIDON 5 PA and FA

16-03-2015

Part List ID
POSSZ14

17

Pos	Part no.	Qty	Description
1	106408193	2	SCREW M8 X20 8.8 DIN 912 FZB
2	106408192	1	OUTLET FITTING FA AXIAL OUTLET
3	106408191	1	O-RING 10.82X1.78 NBR 70
4	101117924	1	PLUG FOR MPU 1/8
5	1119406	1	NON RETURN VALVE REP. KIT
6	107144154	2	OIL PLUG M18X1.5 WITH O-RING /SH90/
7	107144112	1	INJECTOR - NA5/NA6
8	101118055	1	MAGNET AND HOUSE FOR FLOW SWITCH-KIT NA6
9	101118056	1	RETURN VALVE BY-PASS - KIT NA6
10	106408216	1	REED SWITCH
11	101118033	2	SCREW M3X6 BRASS DIN 84 ISO 1207 KIT
12	107144137	1	UNLOADER PLUG NA5
13	106408223	1	UNLOADER FA NA5
14	106408196	1	WASHER D12.95 X D4.6 X 0.9 BRASS
15	106408195	1	RETAINING RING SIZE 13 DIN472
16	106408189	1	NUT M8 X 1 FOR UNLOADER VALVE FA
17	106408188	1	DIN 913 M4X20 POINTED SCREW
18	101118050	1	SEALING KIT FOR NA6
19	101118051	1	PLUG FOR UNLOADER VALVE FA - KIT NA6
20	101118117	1	CONTROL UNIT - KIT NA5
21	6100928	1	LOCK NUT
22	6100940	1	ADJUSTMENT SCREW
23	3001070	1	O-RING 13.1X1.6 NITRIL 90SH
24	1802644	1	BALL 7MM
25	101118118	1	OPENING VALVE REP. KIT NA5 NA6 FA
26	1821	1	FITTING XGE 6LR1/8
27	3001740	1	O-RING 7.66X1.78 NITRIL 70SH
28	1600493	1	Nippel F. Q-COUP. 3/8 INCH
28	1603101	1	NIPPLE F/QUICK COULING 3/8 SS INOX
29	6101038	1	PISTON
30	1801075	1	PACKING RING 23.8X17.2X2 3/8 INCH St-NBR
31	107140823	1	REGULATOR KNOB NA5/NA6

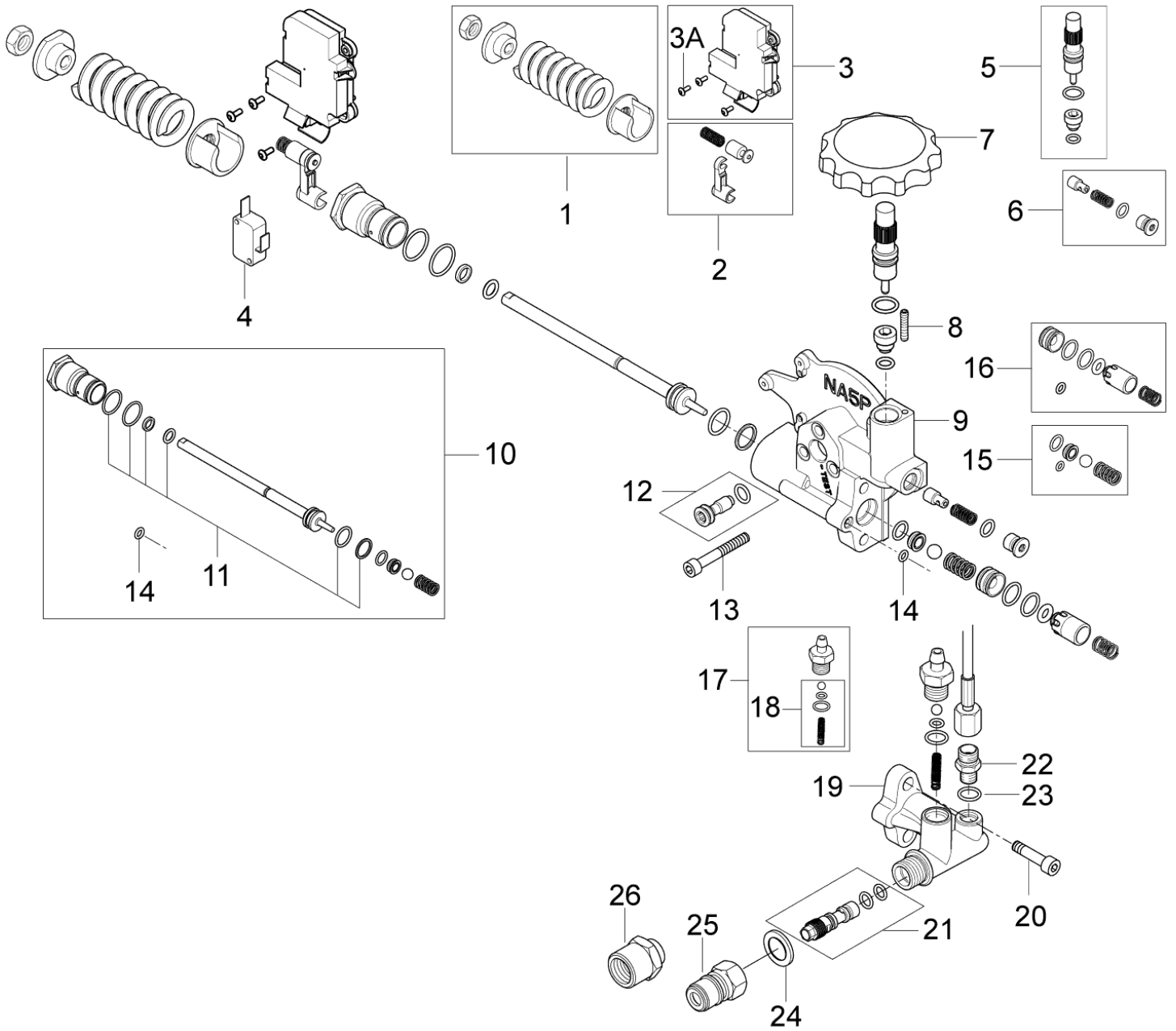
Unloader PA

POSEIDON 5 PA and FA

16-03-2015

Part List ID
POSSZ16

18



Unloader PA

POSEIDON 5 PA and FA

16-03-2015

Part List ID
POSSZ16

19

Pos	Part no.	Qty	Description	
1	101118091	1	UNLOADER SPRING REP. KIT-PAINTED NA5 PA	5-47, 5-56, 5-62 (5-41)
1	101118092	1	UNLOADER SPR. REP.KIT-NON PAINTED NA5 PA	5-30,5-32
2	101118090	1	MICROSW. ACTIVATION REP. KIT NA5 PA	
3	101118084	1	MICROSWITCH BOX W/O MICROSW. NA5 PA	
4	301002754	1	MICRO-SWITCH	
5	101118098	1	FLOW REGULATION REP. KIT NA5 PA	
6	101118086	1	PRESS. BUILD UP VALVE REP. KIT NA5 PA	
7	107140823	1	REGULATOR KNOB NA5/NA6	
8	106408188	1	DIN 913 M4X20 POINTED SCREW	
9	107140884	1	UNLOADER PA NA5	
10	101118082	1	STEM PLUS SEALING REP. KIT NA5 PA	
11	101118083	1	SEAL KIT FOR STEM FOR NA5 PA	
12	107144137	1	UNLOADER PLUG NA5	
13	5100	3	SCREW M6X45 ISO 4762	
14	107141514	1	O-RING D4 X D1.5 NBR 90	
15	101118088	1	BYPASS VALVE REP. KIT NA5 PA	
16	101118087	1	HOLDING PRESS. VALVE REP. KIT NA5 PA	
16	101118120	1	HOLDING PRESSURE VALVE KIT NA5 PA -UK AU	5-32, UK and 5-30, AU
17	1119406	1	NON RETURN VALVE REP. KIT	
18	101118089	1	NON RETURN VALVE REP. KIT NA5 PA	
19	107141516	1	OUTLET FITTING NA5 PA	
20	8894	2	SCREW DIN 912 M8 X20 8.8 FZB	
21	107144112	1	INJECTOR - NA5/NA6	
22	1821	1	FITTING XGE 6LR1/8	
23	101814735	1	SEALING WASHER 1/8PP45C	
24	1801075	1	PACKING RING 23.8X17.2X2 3/8 INCH St-NBR	
25	1600493	1	Nippel F. Q-COUPL. 3/8 INCH	
25	1603101	1	NIPPLE F/QUICK COULING 3/8 SS	INOX
26	64235	1	CONVERTER KEW/WAP	
3A	107141515	3	SCREW M3X8 ISO7380 FZG TORX 10	

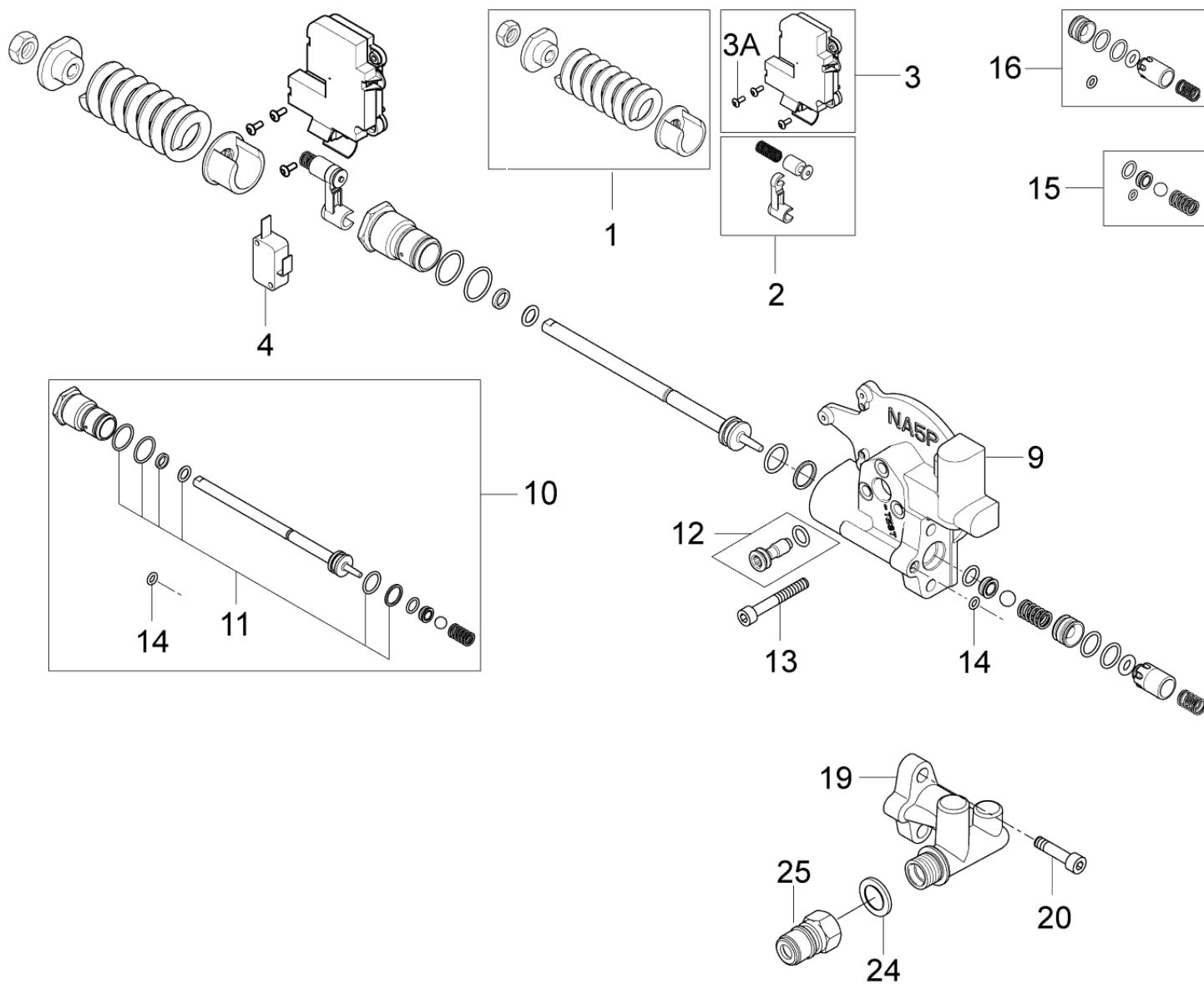
Unloader PA without water regulation

POSEIDON 5 PA and FA

16-03-2015

Part List ID
POS5Z30

20



Unloader PA without water regulation

POSEIDON 5 PA and FA

16-03-2015

Part List ID
POSSZ30

21

Pos	Part no.	Qty	Description	
1	101118091	1	UNLOADER SPRING REP. KIT-PAINTED NA5 PA	5-41, 5-53
2	101118090	1	MICROSW. ACTIVATION REP. KIT NA5 PA	
3	101118084	1	MICROSWITCH BOX W/O MICROSW. NA5 PA	
4	101118011	1	END SWITCH 250V 5A W.WIRE FSH/FS 6.3 KIT	
9	107140932	1	UNLOADER PA NA5 W/O WATERREG./DETERG.	
10	101118082	1	STEM PLUS SEALING REP. KIT NA5 PA	
11	101118083	1	SEAL KIT FOR STEM FOR NA5 PA	
12	107144137	1	UNLOADER PLUG NA5	
13	5100	3	SCREW M6X45 ISO 4762	
14	107141514	1	O-RING D4 X D1.5 NBR 90	
15	101118088	1	BYPASS VALVE REP. KIT NA5 PA	
16	101118087	1	HOLDING PRESS. VALVE REP. KIT NA5 PA	
19	107140933	1	OUTLET FITTING NA5 PA W/O WAT.REG./DET.	
20	8894	2	SCREW DIN 912 M8 X 20 8.8 FZB	
24	1801075	1	PACKING RING 23.8X17.2X2 3/8 INCH St-NBR	
25	1600493	1	Nippel F. Q-COUPL. 3/8 INCH	
25	1603101	1	NIPPLE F/QUICK COULING 3/8 SS	INOX
3A	107141515	3	SCREW M3X8 ISO7380 FZG TORX 10	

Accessories

POSEIDON 5 PA and FA

16-03-2015

Part List ID
POS5Z20

22

No Drawing For Part List

Accessories

POSEIDON 5 PA and FA

16-03-2015

Part List ID
POSSZ20

23

Pos	Part no.	Qty	Description	
1	106403122	1	ERGO 2000 STANDARD W. HOSE SWIVEL	
1	106403154	1	ERGO 2000 SPRAY GUN W/O LOGO ACC.	UNITOR
2	106403010	1	TORNADO PLUS 1120 BEND W/O NOZZLE	
3	101119738	1	NOZZLE 0400 INDICATION RING METAL GREY	5-41
3	101119741	1	NOZZLE 0500 INDICATION RING YELLOW	5-47 J, 5-53, 5-56
3	101119742	1	NOZZLE 0530 INDICATION RING RED	5-62
3	101119746	1	NOZZLE 0650 INDICATION RING LIGHT GREEN	5-52 US
3	301150005	1	TORNADO NOZZLE 0475	5-32
4	106402291	1	TURBOHAMMER PLUS 1125 STRAIGHT W11 0500	5-53
4	106403003	1	TURBOHAMMER PLUS 1130 STRAIGHT W12 0500	5-32
4	65437	1	TURBOHAMMER NOZZLE W12 040	5-41
5	101405770	1	HOSE DN8 10M 2W W. ERGO FEMALE COUPL	
5	101406175	1	HP-HOSE DN6 15M 3/8-3/8 F. QUICK COUPL	POSEIDON 5-41 PAXT, 5-53 PAXT
5	301001100	1	2 WIRE HOSE DN8 15M W. ERGO FEMALE COUPL	
5	301001101	1	2 WIRE HOSE DN8 20M W. ERGO FEMALE CO	POSEIDON 5- 62 PAXT
10	106403142	1	SANDFILTER RACKED KIT P5 PA/FA P6-P7FA	
11	106403165	1	SANDFILTER FOR WBT KIT	
12	106403143	1	HOSE REEL COMPLETE	
12	106403161	1	HOSE REEL KIT FOOD - POSEIDON 5-6-7	
13	101118105	1	HOSE GUIDE COMPLETE	
14	106403145	1	FRONT WHEEL KIT	
15	106403144	1	WATER BRAKE TANK KIT	
16	106403160	1	CRANE ROUNDSLING 1000KG 50CM	
17	106403162	1	DETERGENT TANK W.SAFETY CAP - 2.5 LTR.	
18	106403166	1	LOW PUMP OIL SAFETY FUNCTION FOR POS. 5	

Recommended spare parts

POSEIDON 5 PA and FA

16-03-2015

Part List ID
POS5Z22

24

No Drawing For Part List

Recommended spare parts

POSEIDON 5 PA and FA

16-03-2015

Part List ID
POSSZZZ

25

Pos	Part no.	Qty	Description	
	101118101	1	HANDLE KIT	
	101118102	1	HOSE REEL HANDLE KIT	
	101118103	1	HOSE GUIDE PARTS KIT	
	101118104	1	SPRING AND LOCK NUT KIT	
	101118105	1	HOSE GUIDE COMPLETE	
	101118106	1	HOSE GUIDE BRAKE COMPLETE KIT	
	101118111	1	HOSE GUIDE KIT	
	107141615	1	RUBBER FOOT	
	107141627	1	SCREW K50X40 T20	
	107141629	1	HOSE HOOK	
	107141630	1	LANCE HOLDER NA	
	107141632	1	CABLE HOOK	
	107141633	1	TERMINAL BLOCK 4Q PE	
	107141634	1	REAR END	
	107141635	1	DETERGENT BOTTLE 2.5 L	
	107141648	1	MANOMETER 0-300 BAR	
	107141650	1	PLATE FOR MANOMETER	
	107141652	1	MANOMETER TUBE	
	107141653	1	MANOMETER TUBE FA MODELS	
	107141663	1	RUBBER GROMMET	
	107141664	1	CAP FOR DETERGENT TANK	
	107141667	1	LOCK WASHER	
	107141668	1	WATER INLET PIPE NA5/NA6	
	107141670	1	RUBBER ELBOW NA5/NA6	
	107141676	1	SWIVEL SCREW FOR HOSE REEL	
	107141679	1	HOSE GUIDE SLEEVE OPEN	
	107141690	1	SCREW M5X12 DIN7985 TORX TAPTITE	
A	101117926	1	FILTER	A
A	101118050	1	SEALING KIT FOR NA6	A
A	101118055	1	MAGNET AND HOUSE FOR FLOW SWITCH-KIT NA6	A
A	101118056	1	RETURN VALVE BY-PASS - KIT NA6	A
A	101118080	1	SEAL KIT FOR WATER INLET FOR NA5 FA PA	A
A	101118083	1	SEAL KIT FOR STEM FOR NA5 PA	A
A	101118086	1	PRESS. BUILD UP VALVE REP. KIT NA5 PA	A
A	107144100	1	VALVE KIT - NA5	A
A	107144102	1	OIL SEAL KIT - NA5	A
A	3004221	1	O-RING 16X2 NITRIL 70 SHORE	A
B	101118082	1	STEM PLUS SEALING REP. KIT NA5 PA	B
B	101118088	1	BYPASS VALVE REP. KIT NA5 PA	B
B	106408216	1	REED SWITCH	B
B	107144103	1	PISTON KIT - NA5	B
B	107144104	1	SPRING KIT - NA5	B
B	107144112	1	INJECTOR - NA5/NA6	B

Recommended spare parts

POSEIDON 5 PA and FA

16-03-2015

Part List ID
POSSZZZ

26

Pos	Part no.	Qty	Description	
C	101117948	1	CAPACITOR 70UF 400/450V DOUBLE FASTON	C
C	101118011	1	END SWITCH 250V 5A W.WIRE FSH/FS 6.3 KIT	C
C	101118051	1	PLUG FOR UNLOADER VALVE FA - KIT NA6	C
C	101118078	1	WATER INLET KIT FOR NA5	C
C	101118089	1	NON RETURN VALVE REP. KIT NA5 PA	C
C	101118090	1	MICROSW. ACTIVATION REP. KIT NA5 PA	C
C	101118091	1	UNLOADER SPRING REP. KIT-PAINTED NA5 PA	C
C	101118117	1	CONTROL UNIT - KIT NA5	C
C	103822303	1	CONTACTOR CJX2-D18 18A 400V 3P+NO	C
C	103822304	1	CONTACTOR CJX2-D18 18A 230V 3P+NO	C
C	103822314	1	CONTACTOR CJX2-D32 32A 230V 3P+NO	C
C	106408189	1	NUT M8 X 1 FOR UNLOADER VALVE FA	C
C	107141613	1	START RELAY RVA 4N 0D	C
C	107141619	1	CAPACITOR 170MF	C
C	107141666	1	PCB POSEIDON 5-6-7	C
C	107141953	1	MOTOR 6.7KW 220-440/230-400/3 50/60HZ-EU	C
C	107141954	1	MOTOR 5.5 KW 220/230-400/440/3/50/60 EU	C
C	107141955	1	MOTOR 5.2 KW/220/1 60HZ 5-52 US	C
C	107141956	1	MOTOR 2.2 KW/230/1 50HZ	C
C	107141957	1	MOTOR 4KW 200/3/50-60HZ JP 5-47 JP	C
C	107141958	1	MOTOR 4KW 230-400/220-440 3/50-60HZ NA5	C
C	107141971	1	WOBBLE DISC 12 DEG. BEARING KIT NA5.2	C
C	107141972	1	WOBBLE DISC 10.9 DEG. BEARING KIT NA5.2	C
C	107141973	1	WOBBLE DISC 10.2 DEG. BEARING KIT NA5.2	C
C	107141975	1	WOBBLE DISC 9.15DEG.BEARING KIT NA5.2	C
C	107141976	1	WOBBLE DISC 8.4DEG.BEARING KIT NA5.2	C
C	107141977	1	WOBBLE DISC 8.7 DEG. BEARING KIT NA5.2	C
C	107141984	1	WOBBLE DISC 7.2 DEG. BEARING KIT NA5.2	C
C	1119406	1	NON RETURN VALVE REP. KIT	C
C	301000263	1	FUSE 0.63A/500AT Ø 6.	C
C	301000402	1	RESISTANCE 15KOHM/7W	C
C	301001058	1	CAM SWITCH 0-1 10A 400VAC	C
C	31000149	1	REAR BEARING 6306 2Z C3 150 DEGREES RF	C
C	31000151	1	REAR BEARING EME	C
C	63910	1	CONTACT 100-C23KF10 23	C
C	64773	1	AUXILIARY CONTACT 100-SBL11	C