

*Cleaning
Equipment*



portotecnica

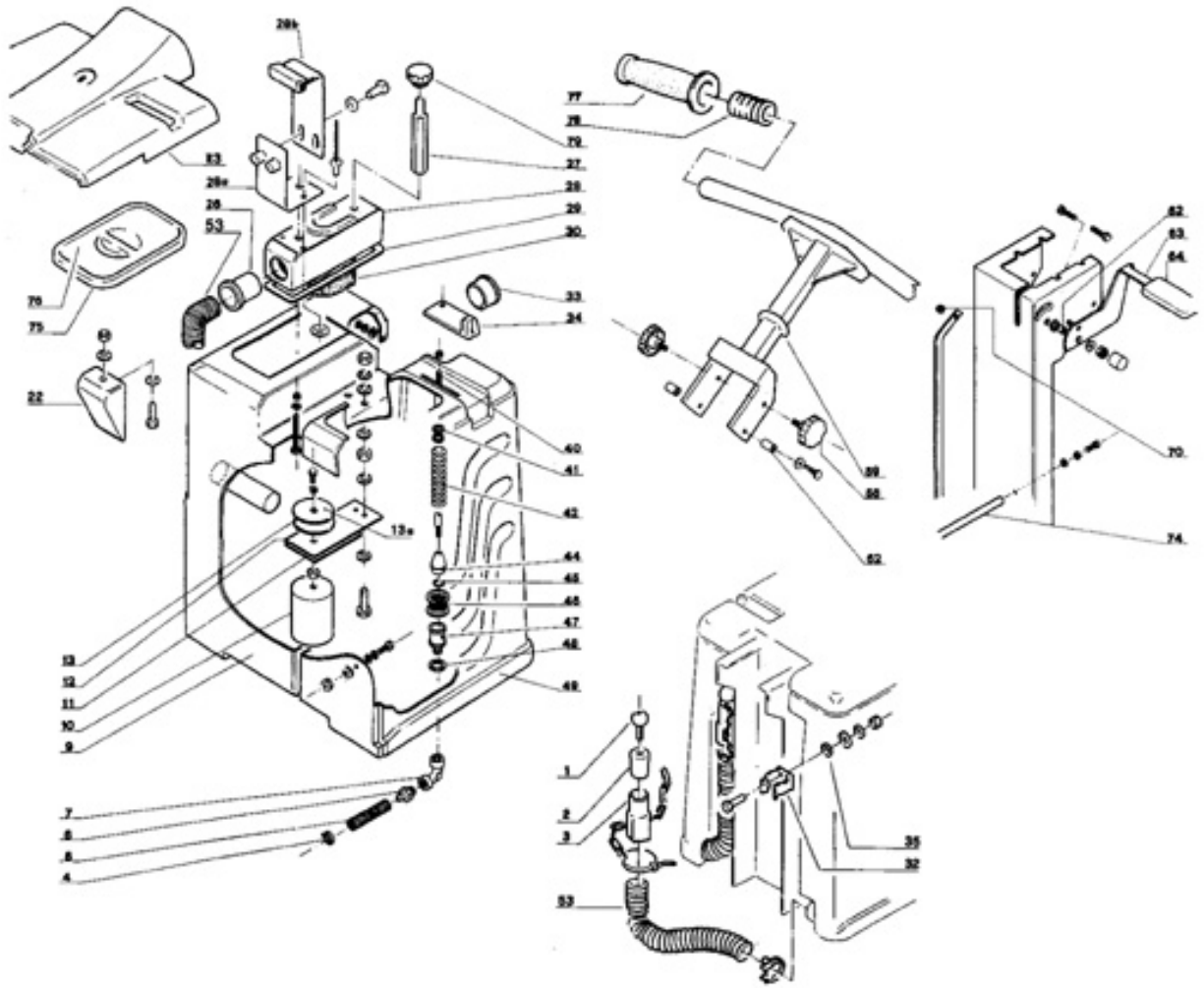
www.portotecnica.com

Spare Parts List

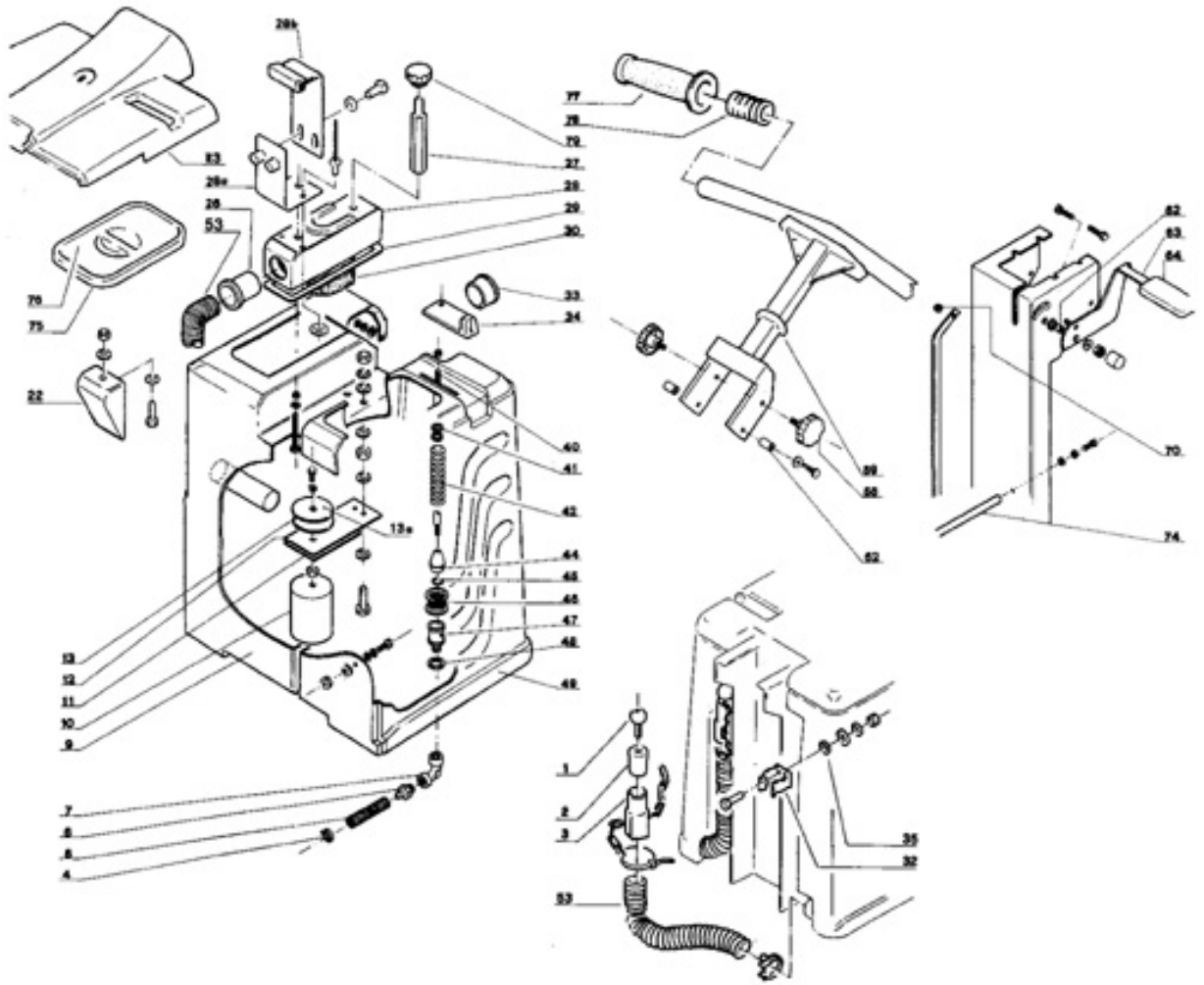
ENTUZIAST

Ref: LPTE37941

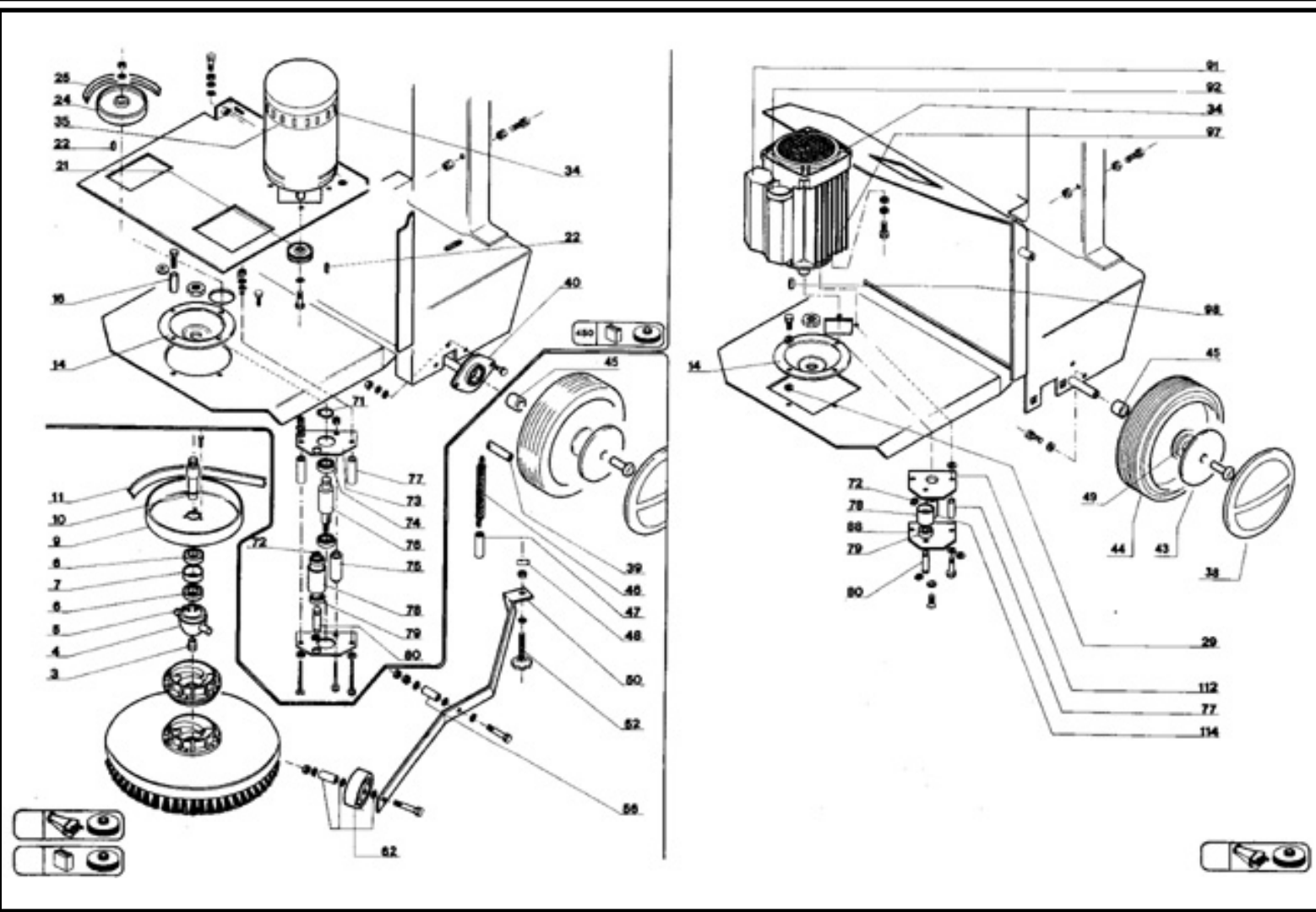
Model: LAVAPAV LAVAMATIC E450II 230/50 3-01PRT



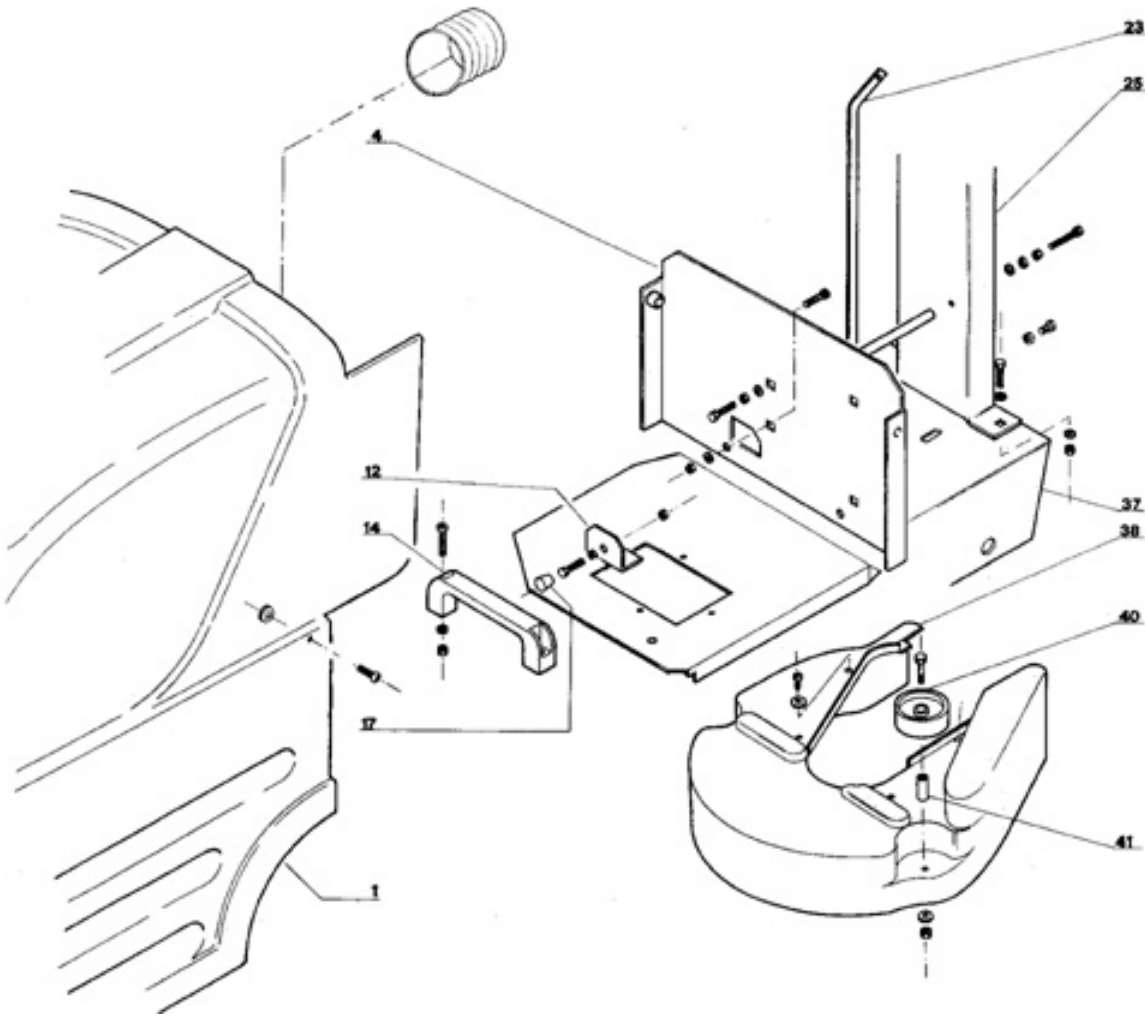
Ref. K	Part N.	Customer Part N.	Description	Qty	Validity:		Price
					From	To	
0001	MPVR30644		KNOB LAV.FL.	1,00			--
0002	MPVR30643		DISCHARGE CAP LAV.FL.	1,00			--
0003	MPVR37003		SLEEVE PVC D.32	1,00			--
0004	FSVR00428		CLAMP D. 12-20	1,00			--
0005	TBCO15910		L.P. HOSE D.10-19	0,68			--
0006	RCDS00627		HOSE FITTING 3/8 M D. 7-10	1,00			--
0007	RCVR00582		ELBOW 3/8" F A9	1,00			--
0009	MPVR38607		TANK E/B-BT II	1,00			--
0010	RCGR31091		FLOATER LAV.	1,00			--
0011	LAFN35577		PLATE LAV. B-BT	1,00			--
0012	MPVR35578		RUBBER LAV. B-BT	1,00			--
0013	MPVR35579		CAP LAV. B-BT	1,00			--
0022	MPVR35580		BAFFLE LAV. B-BT	1,00			--
0023	MPVR38518		COVER E/B-BT II RED	1,00			--
0026	MPVR31077		BUSHING L.450	1,00			--
0027	LAFN38602		PIN LAV.E/B-BT	2,00			--
0028	MPAE32032		BOX LAVAMATIC	1,00			--
0029	GUGO31079		GASKET LAV.	1,00			--
0030	FTAC31102		FILTER LAVAP.	1,00			--
0032	MPVR35581		CLIP LAV. B-BT	1,00			--
0033	MPVR31095		BUSHING LAV.	1,00			--
0034	MPVR31083		REGULATOR LAV.	1,00			--
0035	GUGO27016		O-RING D. 5 X 1.5 NBR 70SH	2,00			--
0040	LAFN31084		TIE ROD LAV.	1,00			--
0041	MPVR35582		RUBBER LAV.	1,00			--
0042	MLML31085		SPRING LAV.	1,00			--
0044	RCDS31087		COUPLING LAV.	1,00			--
0045	GUGO31088		O-RING D. 12 X 2.50 NBR 70SH	2,00			--
0046	FTDT31089		FILTER D.28	1,00			--
0047	RCGR31090		TAP BODY LAV.	1,00			--
0048	GUGO31093		GASKET 25X 12X 3	1,00			--
0049	MPVR38605		WATER TANK LAV. E/B-BT	1,00			--
0053	TBFX31078		TUBE FLEX D.35	1,68			--
0058	VTVR33529		HANDWHEEL M 8MAX10 D.50	2,00			--
0059	LAFN38606		UP STEERING LAV. E/B-BT II	1,00			--
0062	RCDS35584		BUSHING D. 8X12X 4.3	3,00			--
0063	LAFN35585		LEVER LAV. B-BT	1,00			--
0064	CMCV26112		KNOB 20X 5X 6 PVC	1,00			--
0070	VTAE14096		CIRCLIP D. 8 UNI 7435	1,00			--



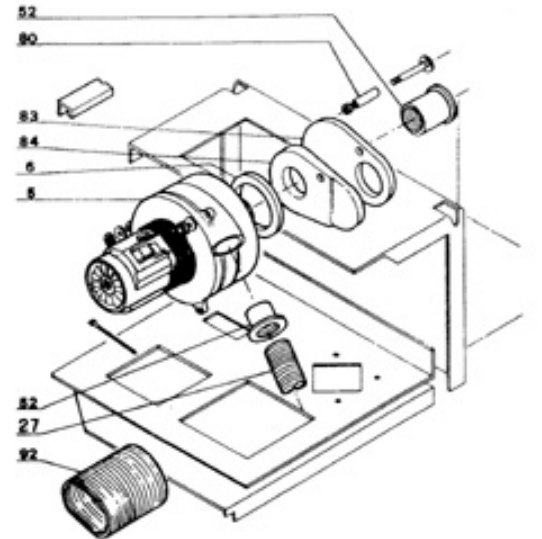
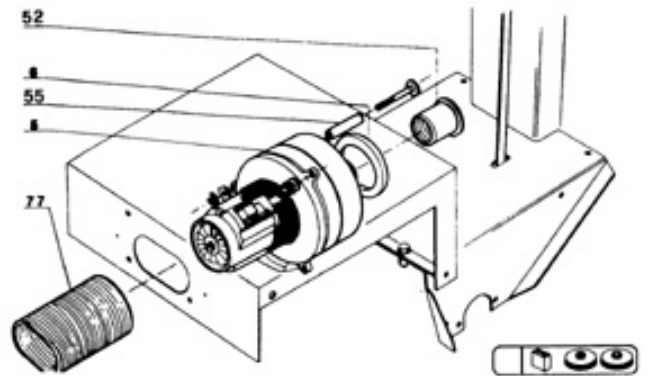
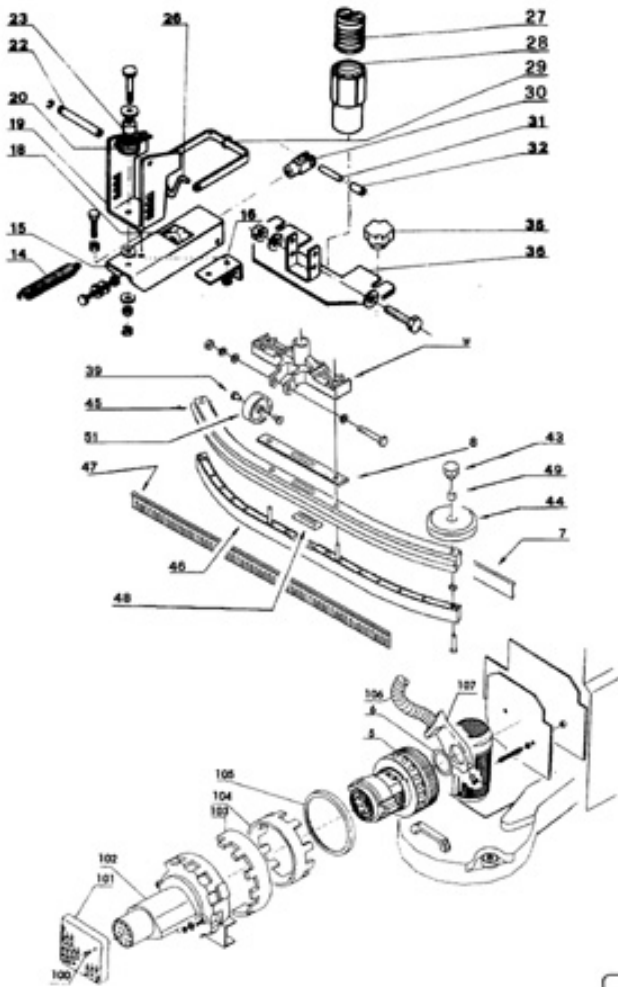
Ref. K	Part N.	Customer Part N.	Description	Qty	Validity:		Price
					From	To	
0074	LAFN35586		SPACER LAV.	1,00			--
0076	MPVR37215		COVER B/BT 450 PRT	1,00			--
0077	MPVR31584		KNOB D.22	2,00			--
0078	MPVR31720		PROTECTOR 22 X 44	2,00			--
0079	VTVR31296		HANDWHEEL F M6 -6P	2,00			--
013A	GUVR38601		GASKET MOUSSE LAV.	1,00			--
028A	LAFN38603		SUPPORT BRACKETLAV.E/B-BT INF.	1,00			--
028B	LAFN38604		SUPPORT BRACKETLAV.E/B-BT SUP.	1,00			--



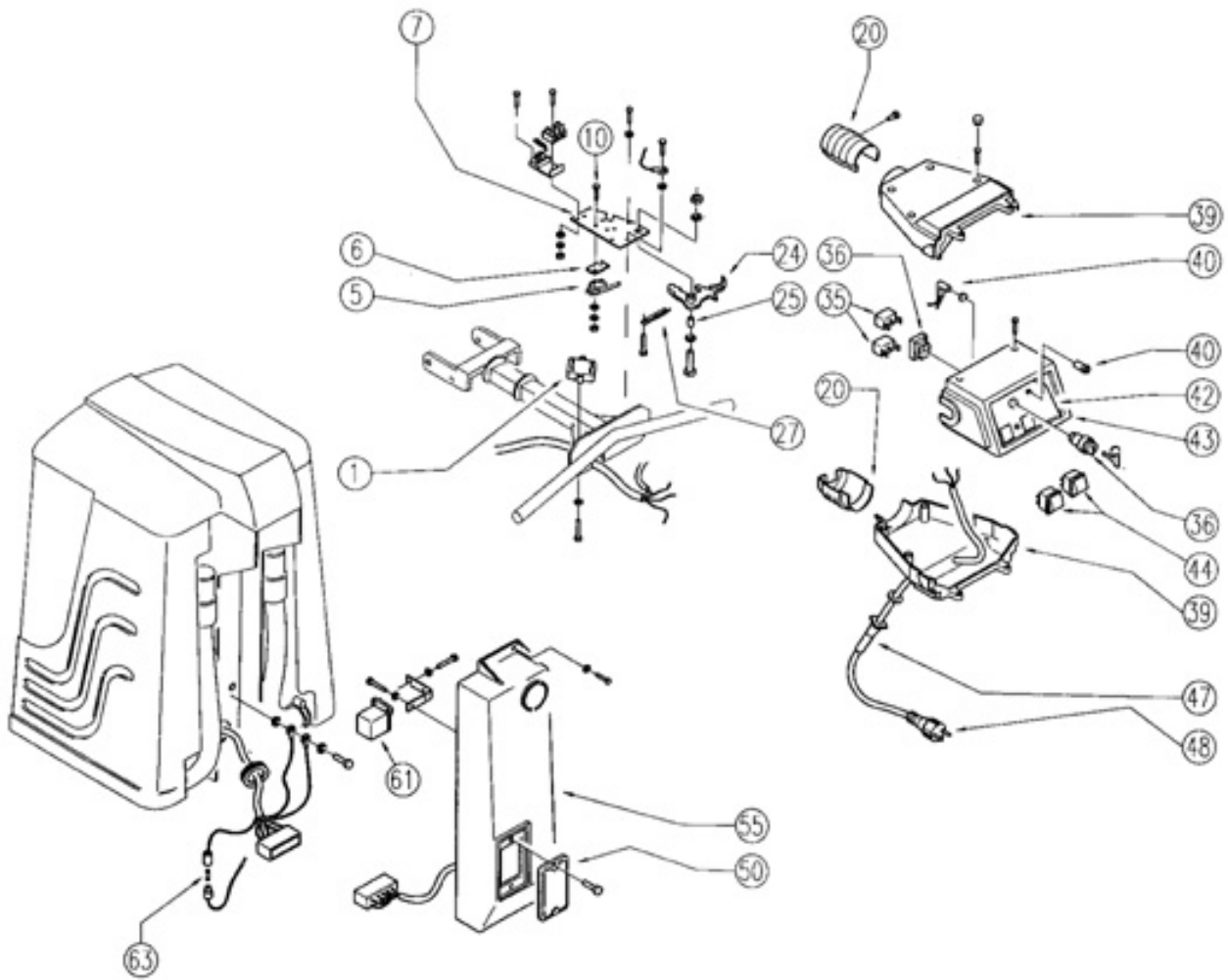
Ref.	K	Part N.	Customer Part N.	Description	Qty	Validity:		Price
						From	To	
0003		MPVR35650		CAP NYL.	1,00			--
0004		LAFN31113		DRIVE DISK LV	1,00			--
0005		VTAE09655		CIRCLIP D. 25 UNI 7435	1,00			--
0006		CUVR31111		BALL BEARING 6005-2RS1	2,00			--
0007		LAFN31112		SPACER SLO7161	1,00			--
0009		MTPL34057		PULLEY E/B450	1,00			--
0010		LAFN31298		PIN LAVAPAV.E7B	1,00			--
0011		MTCG30647		BELT SV 900 H25 SP.1.7 S140 HB	1,00			--
0014		LAFN35745		FLANGE LAV.	1,00			--
0034		MOMO30735		TRACTION MOTOR E 450 1.3HP 230V	1,00			--
0038		MPVR38519		RED WHEEL COVERD. 200 E/B-BT II	2,00			--
0039		LAFN35746		WHEELS AXLE LAV. E/B 450	1,00			--
0043		LAFN38409		SUPPORT E350 II	2,00			--
0044		RTRT31107		WHEEL D.200 FL.	2,00			--
0045		LAFN31106		WHEEL SPACER B 450	2,00			--
0046		MLML31105		SPRING D. 17.5 X105 N36	1,00			--
0048		LAFN35747		SPRING SUPPORT LAV. E/B 450	1,00			--
0050		LAFN35748		LEVER LAV. E/B 450	1,00			--
0052		VTVR35749		HANDWHEEL M 6MAX110 D.35	1,00			--
0056		LAFN34468		SPACER D. 9-12 L= 8 INX	1,00			--
0062		RTRT31114		WHEEL D.100-D.30 LAVAP.	1,00			--
0072		VTAE14016		CIRCLIP D. 12 UNI 7435	2,00			--
0073		LAFN35756		PLATE LAV. B450	2,00			--
0074		CUVR19847		BALL BEARING 6203 2RS1	2,00			--
0075		LAFN31115		SPACER LAV. B 450	1,00			--
0076		ALTR31108		SHAFT LAV. B 450	1,00			--
0077		LAFN35750		SPACER LAV. E/B 450	2,00			--
0078		MTPL31109		PULLEY LAVAM.	1,00			--
0079		CUVR15159		BALL BEARING 6001-2RS1	2,00			--
0080		LAFN31110		PLUG LAV. B 450	1,00			--
0088		LAFN35751		PLATE LAV. E450	1,00			--
0098		VTVR21944		KEY 6X6X30	1,00			--
0112		LAFN35752		PLATE LAV. E450 S.	1,00			--
0114		MTPL34056		PULLEY E450 FL	1,00			--



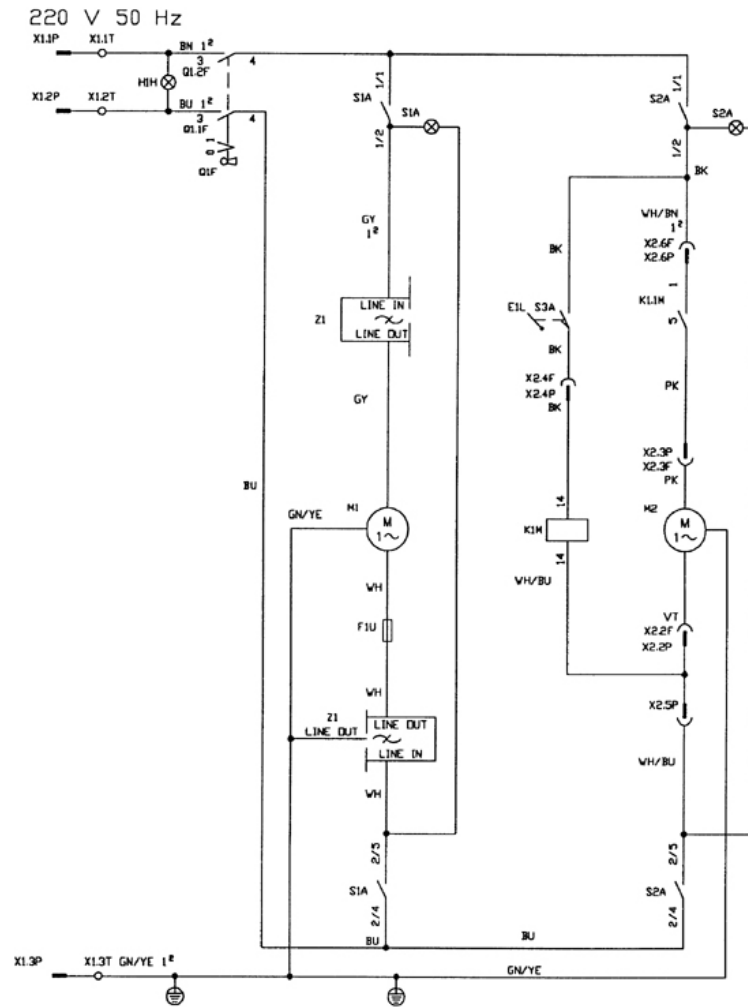
Ref. K	Part N.	Customer Part N.	Description	Qty	Validity:		Price
					From	To	
0001	MPVR38514		RED COVER L.MATIC E 450II	1,00			--
0012	LAFN38608		BRACKET E 450II	1,00			--
0014	MPVR31097		HANDLE L=224-151 D.8.5 LAVAP.	1,00			--
0017	LAFN31041		FOOT D. 10 FF E350	1,00			--
0023	LAFN35589		TIE ROD LAV. B-BT	1,00			--
0038	MPVR31596		BRUSH PROTECT. E 450	1,00			--
0040	RTRT30940		CASTER D. 60	2,00			--
0041	LAFN31096		WHEEL SPACER FL	2,00			--



Ref. K	Part N.	Customer Part N.	Description	Qty	Validity:		Price
					From	To	
0005	MOMO31928		MOTOR E 350 220/240	1,00			--
0006	GUGO31051		GASKET LAV.	1,00			--
0007	MPVR35639		RUBBER BLADE LAV. 840 PARA	1,00			--
0008	GUGO34059		GASKET FLR	1,00			--
0009	MPVR32085		OPENING SQUEEGEE	1,00			--
0014	MLML31105		SPRING D. 17.5 X105 N36	1,00			--
0015	LAFN36370		ARM DRW	1,00			--
0016	LAFN36371		BRACKET DRW	1,00			--
0018	VTVR26552		HANDWHEEL M 8MAX15 D.40	1,00			--
0019	LAFN35616		BRACKET LAV. B-BT	1,00			--
0020	MLML34058		SPRING FLR	1,00			--
0022	LAFN35617		PLUG D. 8 X 71.5 LAV.	1,00			--
0023	LAFN35618		BUSHING LAV. B-BT	1,00			--
0026	LAFN30944		SPRING SUPPORT BT	1,00			--
0027	TBFX31078		TUBE FLEX D.35	1,60			--
0028	MPVR37003		SLEEVE PVC D.32	1,00			--
0029	LAFN35620		HANDLE LAV.	1,00			--
0030	CMCV35596		FORK M 8 X42 BT	1,00			--
0031	LAFN35619		PLUG D. 8 X 48.5 LAV.	1,00			--
0032	LAFN35621		SPACER LAV.	2,00			--
0035	VTVR35378		HANDWHEEL F 8MAX20 D.40	2,00			--
0036	LAFN36368		SUPPORT PLATE DRW	1,00			--
0039	LAFN32086		BUSHING SQUEEGEE	2,00			--
0043	VTVR35379		HANDWHEEL F 6MAX12 D.30	2,00			--
0044	RTRT43370		CASTER D.100 2V.	2,00			--
0045	MFVR43372		FLOOR WIP.BODY L= 800 PRB	1,00			--
0046	LAFN43371		INSERT L= 800 PRB	1,00			--
0047	MPVR43038		RUBBER 840 POLIU.	1,00			--
0048	GUGO34060		GASKET INF. FLR	1,00			--
0049	LAFN43369		SPACER D. 9-12 L= 16	2,00			--
0051	RTRT30940		CASTER D. 60	1,00			--
0100	MPVR38134		CLIP A. D. 6.5	2,00			--
0101	FTDP31128		AIR FILTER LAVAPAV.	1,00			--
0102	MPVR38133		MOTOR COVER LAV. E 450 II	1,00			--
0103	MPVR38132		SILENCER LAV. E450 II SUP.	1,00			--
0104	MPVR38131		SILENCER LAV. E450 II INT.	1,00			--
0105	GUGO30649		GASKET LAV.DW.	1,00			--
0106	TBFX37675		SUCTION HOSE D. 34	0,43			--
0107	MPVR38130		CONVEYOR LAV. E 450 II	1,00			--



Ref. K	Part N.	Customer Part N.	Description	Qty	Validity:		Price
					From	To	
0001	MECE31132		FILTER LC LAVAM. FL.	1,00			--
0005	MECI36393		MICROSWITCH TRZ. DRW	2,00			--
0006	MPVR38611		PLATE LAV.	1,00			--
0007	LAFN38612		PLATE LAV.	1,00			--
0020	MPVR38613		HALF BEARING LAV. E/B-BT	2,00			--
0024	MPVR34801		TRIGGER E 350N	1,00			--
0025	RCDS34802		BUSHING D. 6.2X 8X11	1,00			--
0027	MLML38423		SPRING TR GRL	1,00			--
0035	MECI04207		CONTACT V50 BR T2010 N	2,00			--
0036	MECI30653		SWITCH LAV.FL.	1,00			--
0039	MPVR33116		HALF BEARING PP 2.V	2,00			--
0040	MELF30641		LAMP 220V B.	1,00			--
0042	ETET37925		LABEL L.MATIC E 450	1,00			--
0043	MPVR33114		INSTR.PANEL L.8000 - LAVAM. PP	1,00			--
0044	MECI30639		SWITCH 250V GLL.	2,00			--
0047	MEVR31058		FAIR-LEAD SZ G	1,00			--
0048	MECB31133		CABLE 3X1.5 25MT E 450	1,00			--
0050	MPVR35628		COVER LAV.	1,00			--
0055	LAFN35339		COVER B 450	1,00			--
0061	MERL30646		RELAY REP 200 16/220	1,00			--
0063	MEVR02825		FUSE 5X20 5A	1,00			--



Ref. K	Part N.	Customer Part N.	Description	Qty	Validity:		Price
					From	To	
S	MECI30639		SWITCH 250V GLL.	2,00			--
M1	MOMO31928		MOTOR E 350 220/240	1,00			--
M2	MOMO30735		TRACTION MOTOR E 450 1.3HP 230V	1,00			--
Q1	MECI04207		CONTACT V50 BR T2010 N	2,00			--
Z1	MECE31132		FILTER LC LAVAM. FL.	1,00			--
F1U	MEVR02825		FUSE 5X20 5A	1,00			--
H1H	MELF30641		LAMP 220V B.	1,00			--
K1M	MERL30646		RELAY REP 200 16/220	1,00			--
Q1F	MECI30653		SWITCH LAV.FL.	1,00			--
S3A	MECI36393		MICROSWITCH TRZ. DRW	1,00			--