

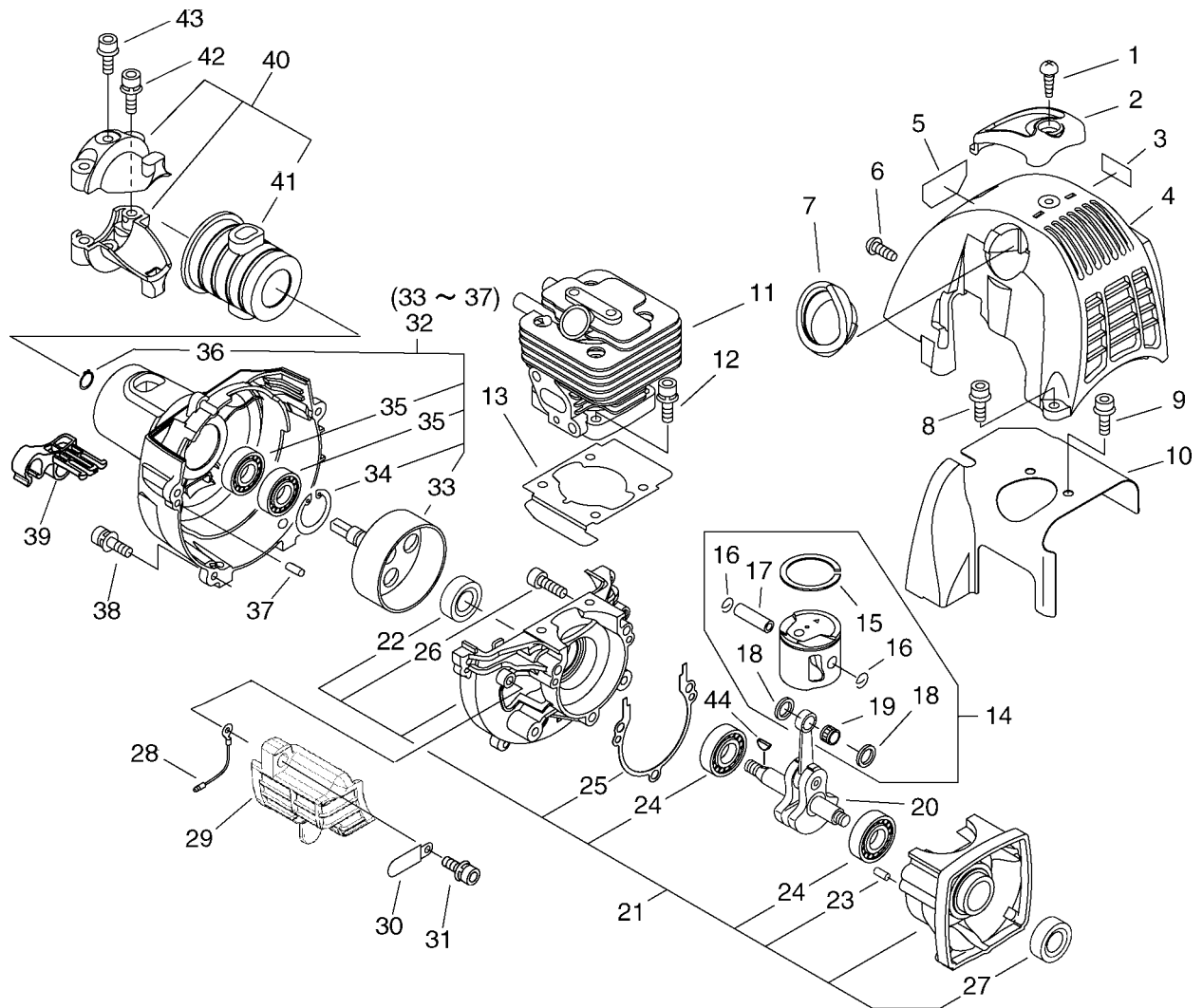


PARTS CATALOGUE

PRO ATTACHMENT SERIES

PAS-265ES

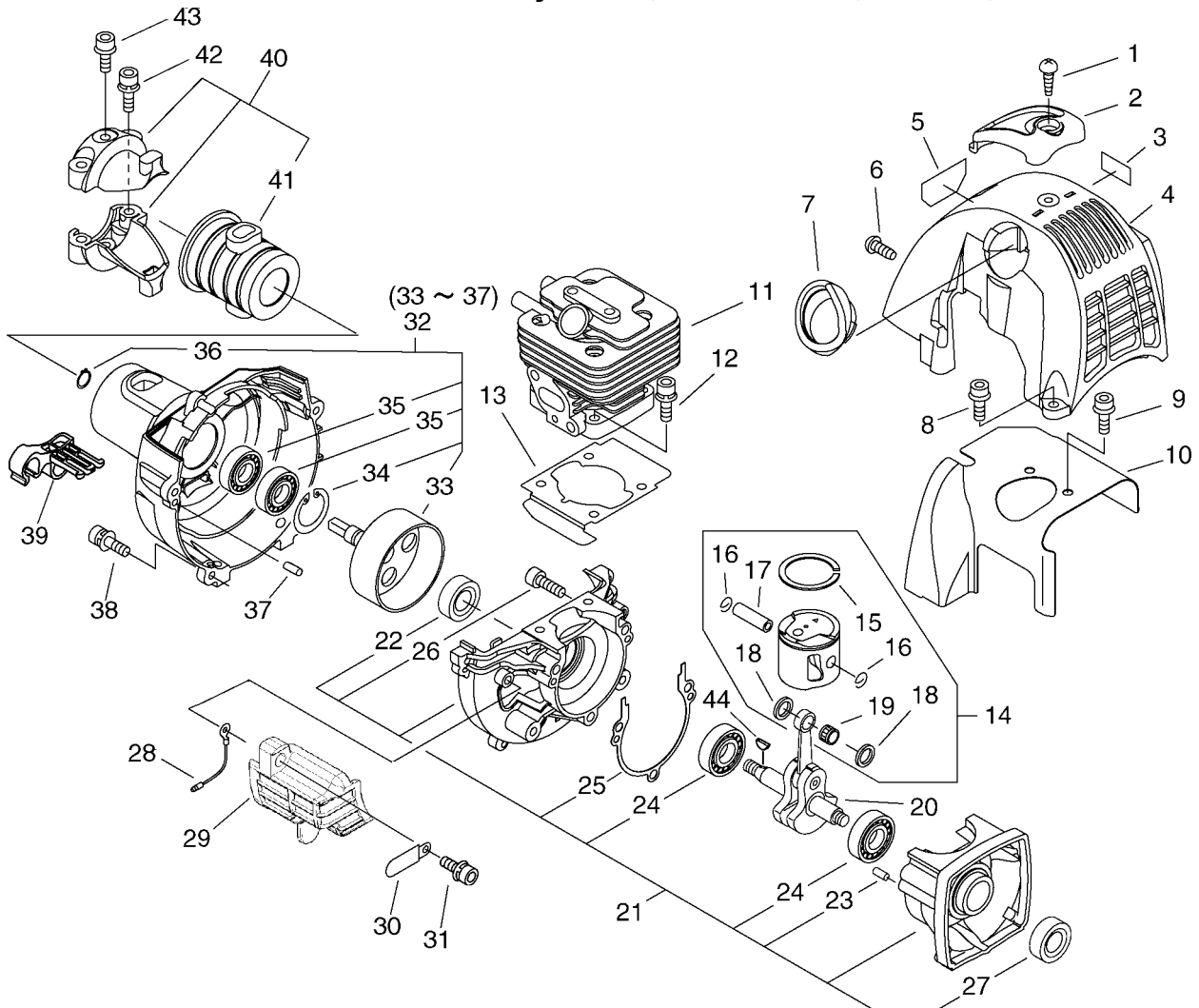
CE



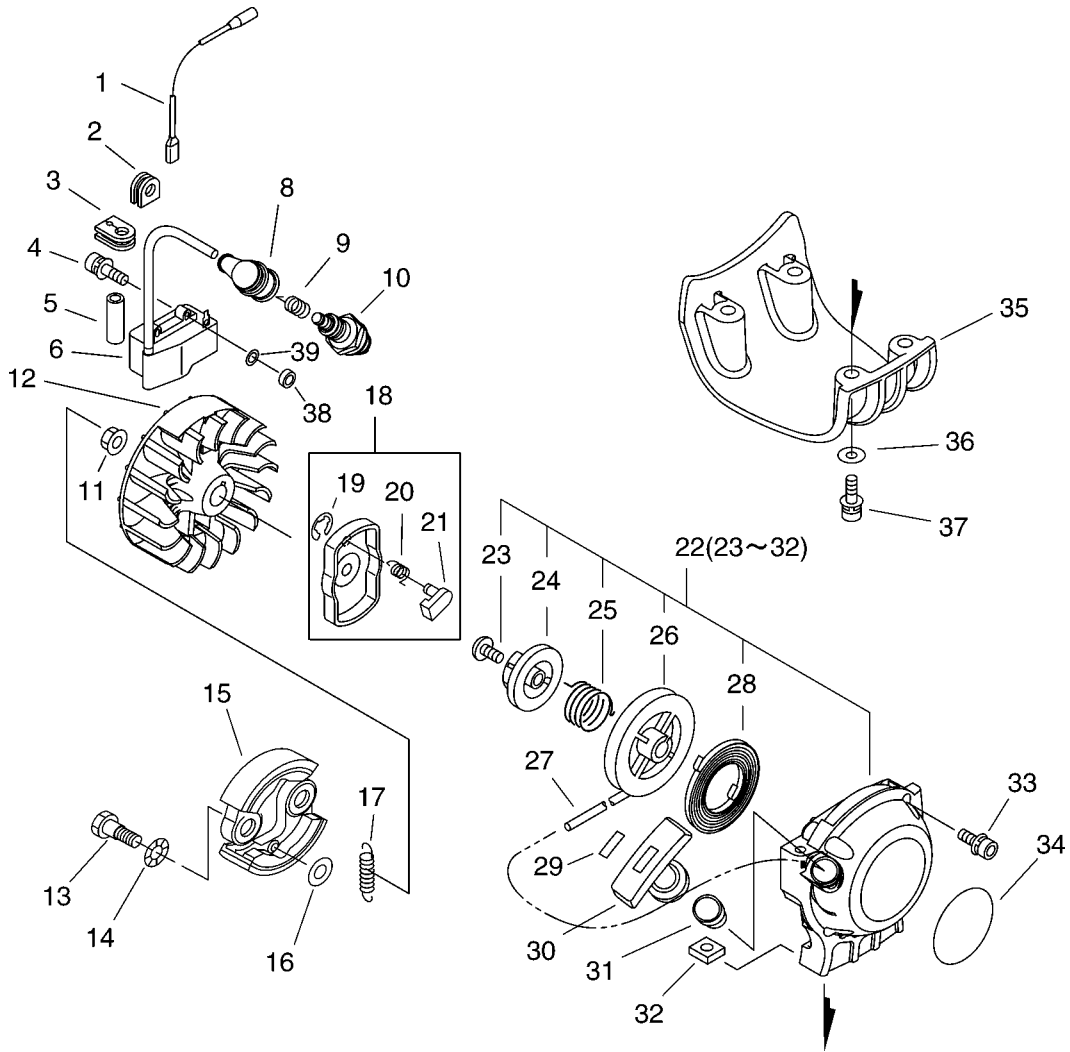
KEY	LV	PART NUMBER	Q'TY	DESCRIPTION	REMARKS
1		900256-05016	1	SCREW, TAPPING	
2		A162-000100	1	GUARD, TOP	
3		X505-002310	1	LABEL, CAUTION	
4		A160-000780	1	COVER, CYLINDER	
5		X547-000880	1	LABEL, ECHO	
6		91141-05012	1	BOLT	
7		A162-000080	1	GUARD, TOP	
8		900106-05014	1	BOLT, H.S. 5*14	
9		900106-05008	2	BOLT, H.S. 5* 8	
10		A160-000691	1	COVER, CYLINDER	
11		A130-000761	1	CYLINDER	
12		900162-05025	4	BOLT, H.S. 5*25	
13		V100-000210	1	GASKET, CYL	
14		P021-009771	1	PISTON KIT	
15	+	A101-000170	1	RING, PISTON	
16	+	100015-03931	2	CIRCLIP, PISTON PIN	
17	+	100013-35430	1	PIN, PISTON	
18	+	100014-53630	2	SPACER, PISTON PIN	
19	+	100012-16131	1	BEARING, NEEDLE	
20		A011-000434	1	CRANKSHAFT, ASY	
21		P021-010801	1	CRANKCASE KIT	
22	+	100212-42031	1	OILSEAL	
23	+	100215-03930	2	PIN, DOWEL	
24	+	94035-36201	2	BEARING BALL	

PAS-265ES

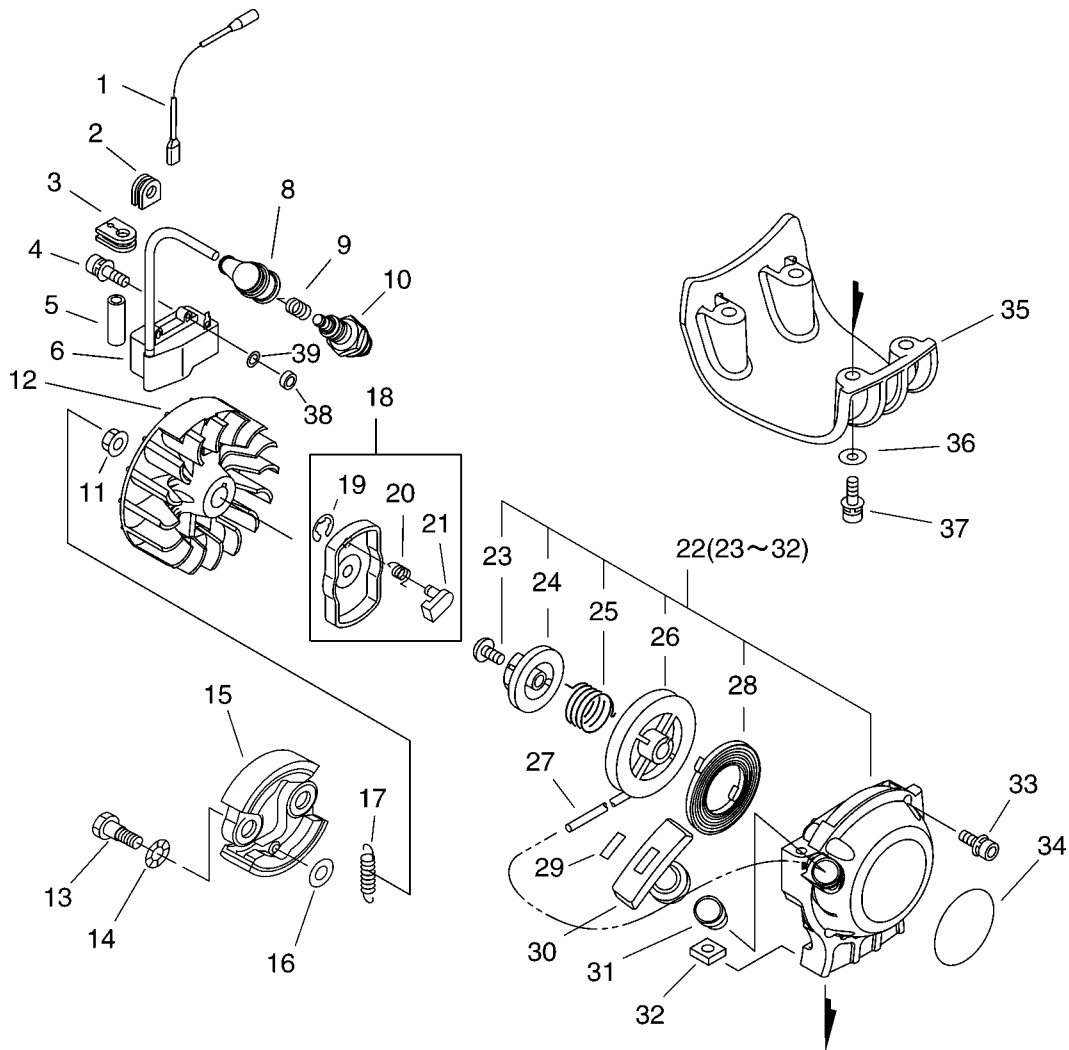
1 Cylinder, Crankcase, Piston, Fan Cover



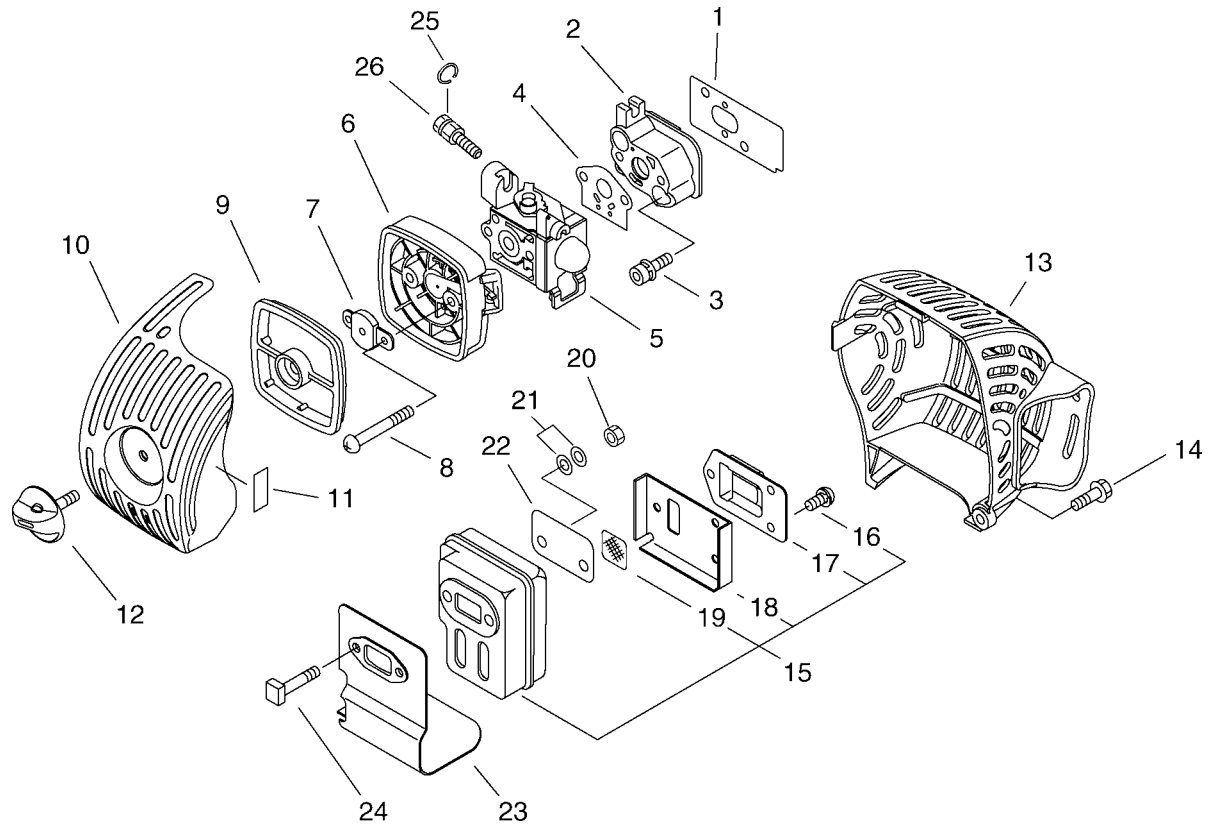
KEY	LV	PART NUMBER	Q'TY	DESCRIPTION	REMARKS
25	+	100242-42030	1	GASKET, CRANKCASE	
26	+	900162-05028	3	BOLT, H.S. 5*28	
27	+	V505-000050	1	SEAL, OIL 12	
28		156635-43130	1	LEAD, GROUND	
29		A127-000160	1	COVER, DUST	
30		159116-21231	1	CLAMP	
31		900162-05016	1	BOLT, H.S. 5*16	
32		P021-009790	1	COVER ASY, FAN	
33	+	A556-000390	1	DRUM, CLUTCH	
34	+	900702-00028	1	CIRCLIP 28	
35	+	900807-06001	2	BEARING, BALL 6001	
36	+	900701-00012	1	CIRCLIP 12	
37	+	V622-000020	2	PIN, STRAIGHT 4	
38		900163-04016	4	BOLT HSH	
39		V491-000180	1	CLIP	
40		P021-009380	1	FIXTURE, MAIN PIPE	
41	+	V420-001081	1	CUSHION	
42		900162-05025	2	BOLT, H.S. 5*25	
43		900105-05012	1	BOLT, H.S. 5*12	
44		100142-12330	1	KEY, WOODRUFF	



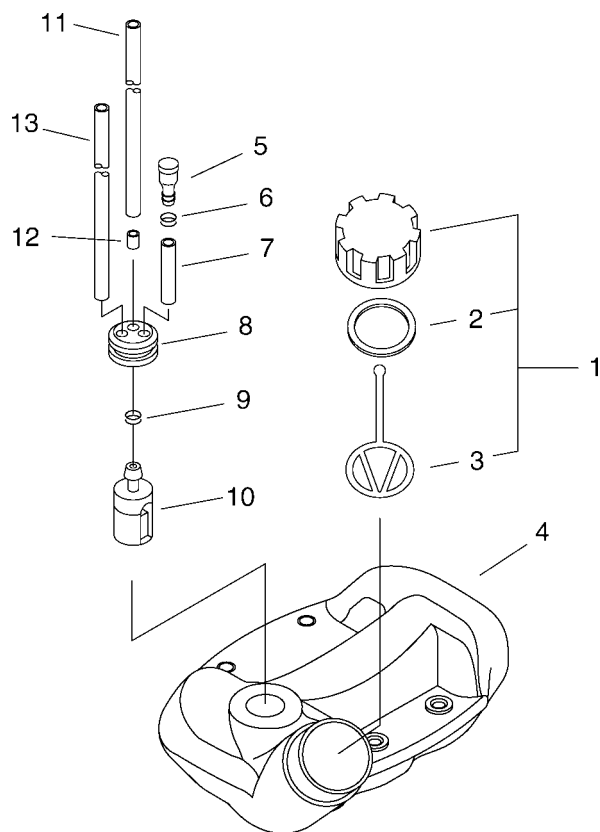
KEY	LV	PART NUMBER	Q'TY	DESCRIPTION	REMARKS
1		162010-04561	1	LEAD, GROUND	
2		156110-04920	1	BUSHING	
3		V135-000030	1	GROMMET, HT CORD	
4		V202-000130	2	BOLT, 4	
5		V475-003380	1	TUBE	
6		A411-000250	1	COIL, IGNITION	
8		A427-000012	1	CAP, SPARK PLUG	
9		A426-000010	1	TERMINAL, SPARK PLUG	
10		A425-000000	1	SPARK PLUG	
11		900515-00008	1	NUT, FLANGE 8	
12		A409-000310	1	ROTOR, MAGNETO	
13		175046-56030	2	SHAFT, CLUTCH	
14		175049-56030	2	WASHER	
15		A553-000010	2	ARM, CLUTCH	
16		175048-05530	2	WASHER (I)	
17		V451-000400	1	SPRING, TENSION	
18		A052-000180	1	PULLEY, ASM STARTER	
19	+	P022-002100	2	E-RING	
20	+	P022-006510	2	SPRING, RETURN	
21	+	P022-006850	2	PAWL, STARTER	
22		A051-000940	1	STARTER, RECOIL ASY	
23	+	177236-61830	1	SCREW	
24	+	P022-008280	1	PLATE, CAM	
25	+	P022-008270	1	SPRING, DAMPER	



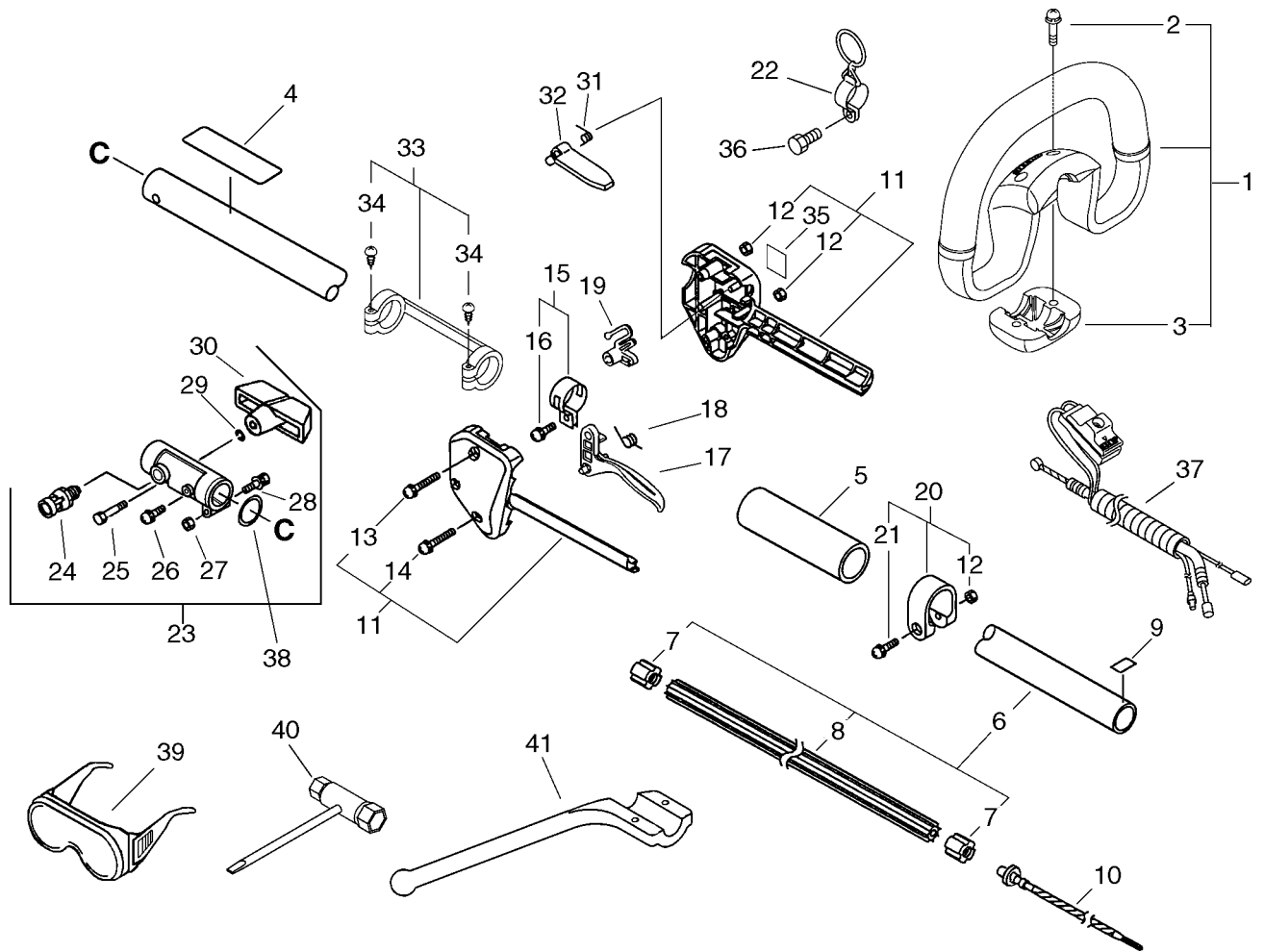
KEY	LV	PART NUMBER	Q'TY	DESCRIPTION	REMARKS
26	+	P022-006830	1	DRUM	
27	+	P022-008260	1	ROPE	
28	+	177220-42030	1	SPRING, REWIND	
29	+	177246-11120	1	CLIP, STARTER ROPE	
30	+	177228-27030	1	GRIP, STARTER	
31	+	177227-42030	1	GUIDE, ROPE	
32	+	900565-00005	1	NUT	
33		900163-04016	4	BOLT HSH	
34		X502-000330	1	LABEL,ECHO	
35		A175-000030	1	STAND	
36		900603-00005	4	WASHER 5	
37		900162-05025	4	BOLT, H.S. 5*25	
38		V322-000031	2	WASHER,CIRCULAR 4	
39		900603-00004	2	WASHER 4	



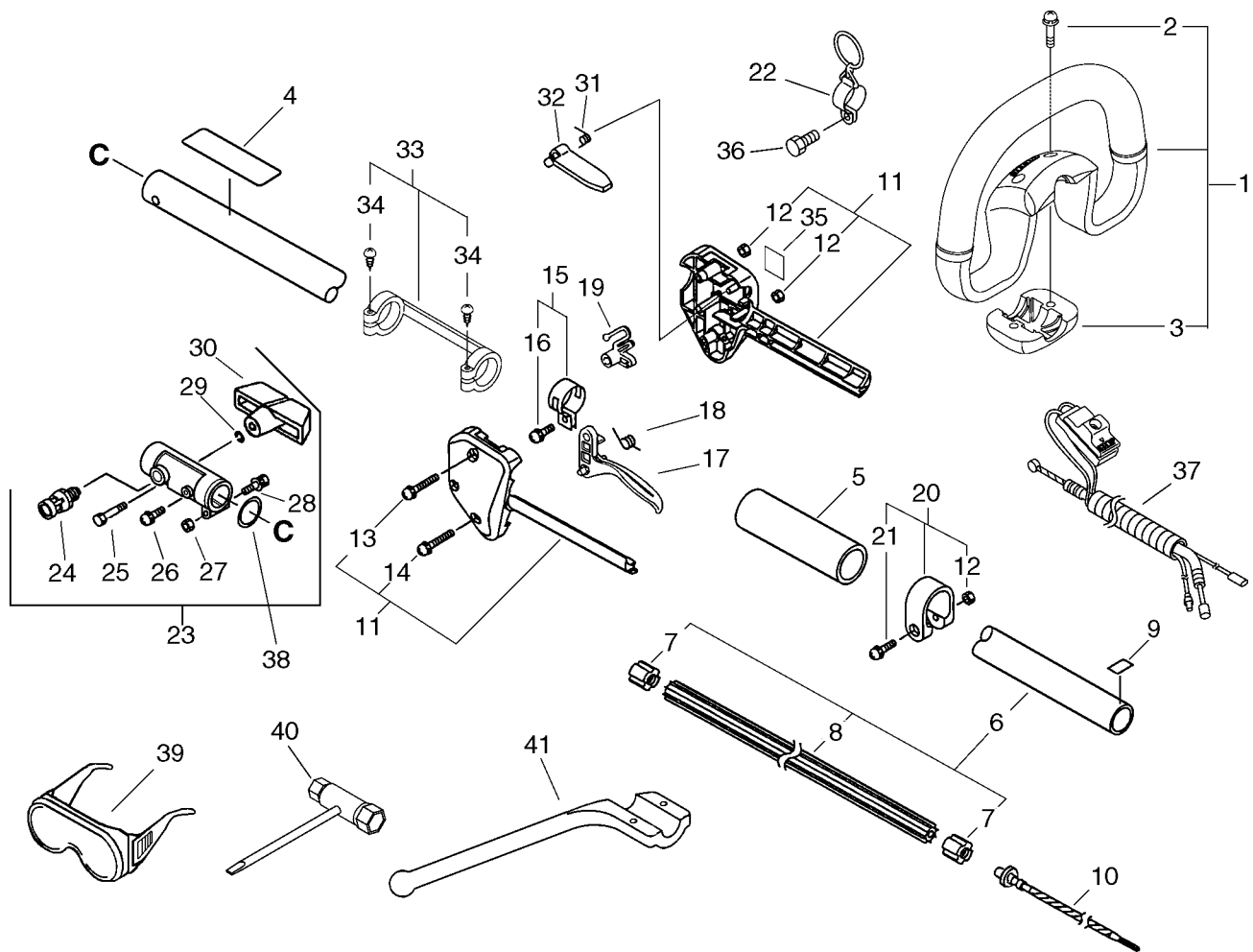
KEY	LV	PART NUMBER	Q'TY	DESCRIPTION	REMARKS
1		V103-000210	1	GASKET,INTAKE	
2		A200-000200	1	INSULATOR,INTAKE	
3		900162-05025	2	BOLT, H.S. 5*25	
4		V103-000270	1	GASKET,INTAKE	
5		A021-001530	1	CARBURETOR,DIAPHRAGM	
6		P021-004480	1	CASE, AIR CLEANER	
7		129011-52730	1	PLATE, PREVENT	
8		900242-05065	2	SCREW 5*65	
9		130310-54130	1	FILTER, AIR	
10		A232-000330	1	LID,CLEANER	
11		890332-52730	1	LABEL, CHOKE	
12		V299-000250	1	KNOB,FASTENER	
13		A320-000340	1	COVER,MUFFLER	
14		900106-05014	1	BOLT, H.S. 5*14	
15		P021-011580	1	MUFFLER ASY	
16	+	91367-04010	3	SCREW	
17	+	A313-000830	1	GUIDE, EXHAUST	
18	+	V104-000790	1	GASKET,EXHAUST	
19	+	145862-40630	1	SCREEN, MUFFLER	
20		900500-00005	2	NUT 5	
21		92280-05000	2	WASHER, NORD-LOCK	
22		V150-001760	1	PLATE,EYE	
23		V104-000780	1	GASKET,EXHAUST	
24		V203-000120	2	BOLT,5	
25		100015-00120	1	CIRCLIP, PISTON PIN	
26		C486-000000	1	CABLE, ADJUSTER	



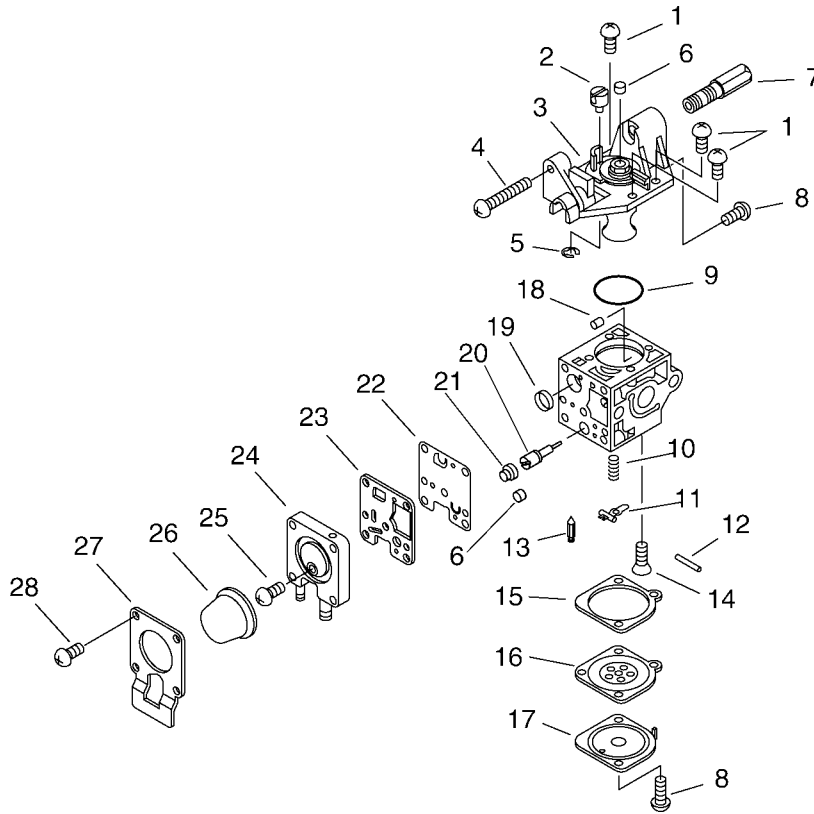
KEY	LV	PART NUMBER	Q'TY	DESCRIPTION	REMARKS
1		131004-55530	1	CAP ASSY, FUEL TANK	
2	+	131016-55830	1	GASKET, FUEL CAP	
3	+	131051-56030	1	CLIP, FUEL CAP	
4		A350-000600	1	TANK, FUEL	
5		A356-000030	1	VALVE,CHECK	
6		132013-26630	1	CLIP	
7		V471-001180	1	PIPE	
8		132115-55930	1	GROMMET, FUEL	
9		132013-09820	1	CLIP	
10		A369-000000	1	STRAINER, FUEL	
11		V470-000580	1	PIPE	
12		132001-15030	1	VALVE, CHECK	
13		132010-40830	1	PIPE 3* 6* 75	



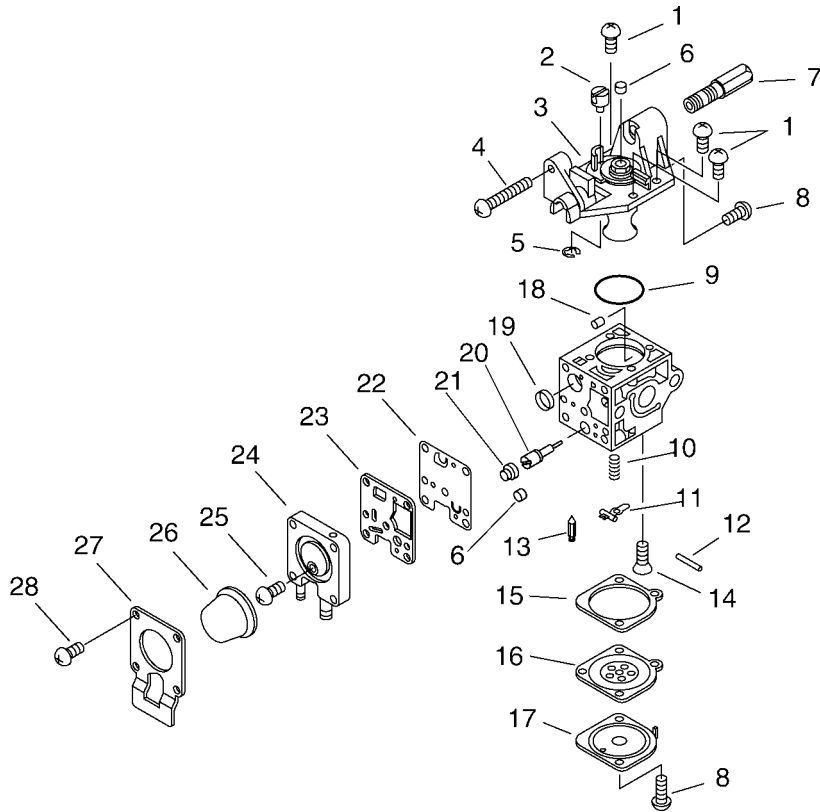
KEY	LV	PART NUMBER	Q'TY	DESCRIPTION	REMARKS
1		P021-008322	1	FRONT HANDLE ASY	
2	+	900242-05040	2	SCREW 5*40	
3	+	C423-000190	1	FIXTURE,HANDLE	
4		890617-07660	1	LABEL, CAUTION	
5		351213-52130	1	GRIP	
6		C050-000750	1	PIPE, MAIN	
7	+	610246-44730	2	STOPPER	
8	+	610217-56730	1	LINER, FLEXIBLE	
9		890152-04930	1	LABEL, CAUTION	
10		C506-000042	1	SHAFT,FLEXIBLE	
11		178003-52130	1	BRACKET SET,THROTTLE	
12	+	900500-00005	2	NUT 5	
35	+	890157-39130	1	LABEL, SWITCH	
13	+	900242-05035	1	SCREW 5*35	
14	+	900242-05025	1	SCREW 5*25	
15		301200-29430	1	BAND ASSY	
16	+	900242-05014	1	SCREW 5*14	
17		178010-52130	1	CONTROL, THROTTLE	
18		178043-42230	1	SPRING, THR. RETURN	
19		178012-52730	1	LOCKOUT, THROTTLE	
20		610272-52130	1	BAND	
12	+	900500-00005	1	NUT 5	
21	+	900242-05028	1	SCREW 5*28	
22		C646-000060	1	RING, HARNESS	



KEY	LV	PART NUMBER	Q'TY	DESCRIPTION	REMARKS
23		P021-004350	1	BRACKET ASY	
24	+	178302-56630	1	LATCH ASY	
25	+	91085-06040	1	BOLT	
26	+	900105-06010	1	BOLT, H.S. 6*10	
27	+	900514-00006	1	NUT 6	
28	+	900105-06025	1	BOLT, H.S. 6*25	
29	+	V304-000040	1	WASHER, CIRCULAR 6	
30	+	V299-000160	1	KNOB, FASTENER	
31		178013-52630	1	SPRING, THR. LOCK	
32		178090-52632	1	LOCKOUT, T. CONTROL	
33		610281-54130	1	COLLER	
34	+	900253-04025	2	SCREW 4*25	
36		900100-05012	1	BOLT 5*12	
37		V043-000150	1	CABLE ASY, CONTROL	
38		V312-000010	1	WASHER, CIRCULAR 18	
39		P021-002861	1	GOGGLES	
40		895410-39131	1	WRENCH, W/S-DRIVER	
41		C405-000170	1	BRACKET, HANDLE	



KEY	LV	PART NUMBER	Q'TY	DESCRIPTION	REMARKS
		A021-001530	1	CARBURETOR,DIAPHRAGM	
1	+	125344-13931	3	SCREW	
2	+	P005-001240	1	POST	
3	+	P005-001980	1	COVER ASY, ROTOR	
4	+	P005-000100	1	SCREW,THROTTLADJUST	
5	+	P005-000190	1	E-RING	
6	+	P005-001270	2	PLUG, H AJUST SCREW	
7	+	P005-002010	1	SCREW, WIRW ADJUST	
8	+	125344-52130	3	SCREW	
9	+	P005-000280	1	O-RING	
10	+	125322-07260	1	SPRING, COIL	
11	+	125323-08260	1	ARM, VALVE	
12	+	125338-13930	1	PIN, METERING ARM	
13	+	125337-08260	1	VALVE, INLET NEEDLE	
14	+	125339-42030	1	SCREW	
15	+	P005-000200	1	GASKET, METERING	
16	+	P005-001780	1	DIAPHRAGM	
17	+	125342-52130	1	COVER, DIAPHRAGM	
18	+	P005-001000	1	ROLLER, GUIDE	
19	+	P005-000010	1	STRAINER	
20	+	P005-001290	1	SCREW,MAINN MIXTURE	
21	+	P005-001250	1	RETAINER,PLUG BALL	
22	+	P005-000510	1	DIAPHRAGM, PUMP	
23	+	P005-000520	1	GASKET, PUMP	



KEY	LV	PART NUMBER	Q'TY	DESCRIPTION	REMARKS
24	+	P005-001890	1	BASE, ASY PRIMER	
25	+	P005-000270	1	SCREW	
26	+	125381-46730	1	PUMP, PRIMING	
27	+	P005-000250	1	RETAINER	
28	+	P005-001900	4	SCREW	

KEY	LV	PART NUMBER	Q'TY	DESCRIPTION	REMARKS
		P005-001660	1	DIAPHRAGM/GASKET KIT	
6-15	+	P005-000200	1	GASKET, METERING	
6-16	+	P005-001780	1	DIAPHRAGM	
6-22	+	P005-000510	1	DIAPHRAGM, PUMP	
6-23	+	P005-000520	1	GASKET, PUMP	
		P005-001990	1	REBUILD KIT	
6-10	+	125322-07260	1	SPRING, COIL	
6-11	+	125323-08260	1	ARM, VALVE	
6-12	+	125338-13930	1	PIN, METERING ARM	
6-13	+	125337-08260	1	VALVE, INLET NEEDLE	
6-15	+	P005-000200	1	GASKET, METERING	
6-16	+	P005-001780	1	DIAPHRAGM	
6-18	+	P005-001000	1	ROLLER, GUIDE	
6-19	+	P005-000010	1	STRAINER	
6-22	+	P005-000510	1	DIAPHRAGM, PUMP	
9-23	+	P005-000520	1	GASKET, PUMP	

Index

Parts Number	Key No.	Parts Number	Key No.	Parts Number	Key No.
A011-000434	1 - 20	P005-001000	6 - 18	V471-001180	4 - 7
A021-001530	3 - 5	P005-001000	8 - 618	V475-003380	2 - 5
A021-001530	6 -	P005-001240	6 - 2	V491-000180	1 - 39
A051-000940	2 - 22	P005-001250	6 - 21	V505-000050	1 - 27
A052-000180	2 - 18	P005-001270	6 - 6	V622-000020	1 - 37
A101-000170	1 - 15	P005-001290	6 - 20	X502-000330	2 - 34
A127-000160	1 - 29	P005-001660	7 -	X505-002310	1 - 3
A130-000761	1 - 11	P005-001780	6 - 16	X547-000880	1 - 5
A160-000691	1 - 10	P005-001780	7 - 616	100012-16131	1 - 19
A160-000780	1 - 4	P005-001780	8 - 616	100013-35430	1 - 17
A162-000080	1 - 7	P005-001890	6 - 24	100014-53630	1 - 18
A162-000100	1 - 2	P005-001900	6 - 28	100015-00120	3 - 25
A175-000030	2 - 35	P005-001980	6 - 3	100015-03931	1 - 16
A200-000200	3 - 2	P005-001990	8 -	100142-12330	1 - 44
A232-000330	3 - 10	P005-002010	6 - 7	100212-42031	1 - 22
A313-000830	3 - 17	P021-002861	5 - 39	100215-03930	1 - 23
A320-000340	3 - 13	P021-004350	5 - 23	100242-42030	1 - 25
A350-000600	4 - 4	P021-004480	3 - 6	125322-07260	6 - 10
A356-000030	4 - 5	P021-008322	5 - 1	125322-07260	8 - 610
A369-000000	4 - 10	P021-009380	1 - 40	125323-08260	6 - 11
A409-000310	2 - 12	P021-009771	1 - 14	125323-08260	8 - 611
A411-000250	2 - 6	P021-009790	1 - 32	125337-08260	6 - 13
A425-000000	2 - 10	P021-010801	1 - 21	125337-08260	8 - 613
A426-000010	2 - 9	P021-011580	3 - 15	125338-13930	6 - 12
A427-000012	2 - 8	P022-002100	2 - 19	125338-13930	8 - 612
A553-000010	2 - 15	P022-006510	2 - 20	125339-42030	6 - 14
A556-000390	1 - 33	P022-006830	2 - 26	125342-52130	6 - 17
C050-000750	5 - 6	P022-006850	2 - 21	125344-13931	6 - 1
C405-000170	5 - 41	P022-008260	2 - 27	125344-52130	6 - 8
C423-000190	5 - 3	P022-008270	2 - 25	125381-46730	6 - 26
C486-000000	3 - 26	P022-008280	2 - 24	129011-52730	3 - 7
C506-000042	5 - 10	V043-000150	5 - 37	130310-54130	3 - 9
C646-000060	5 - 22	V100-000210	1 - 13	131004-55530	4 - 1
P005-000010	6 - 19	V103-000210	3 - 1	131016-55830	4 - 2
P005-000010	8 - 619	V103-000270	3 - 4	131051-56030	4 - 3
P005-000100	6 - 4	V104-000780	3 - 23	132001-15030	4 - 12
P005-000190	6 - 5	V104-000790	3 - 18	132010-40830	4 - 13
P005-000200	6 - 15	V135-000030	2 - 3	132013-09820	4 - 9
P005-000200	7 - 615	V150-001760	3 - 22	132013-26630	4 - 6
P005-000200	8 - 615	V202-000130	2 - 4	132115-55930	4 - 8
P005-000250	6 - 27	V203-000120	3 - 24	145862-40630	3 - 19
P005-000270	6 - 25	V299-000160	5 - 30	156110-04920	2 - 2
P005-000280	6 - 9	V299-000250	3 - 12	156635-43130	1 - 28
P005-000510	6 - 22	V304-000040	5 - 29	159116-21231	1 - 30
P005-000510	7 - 622	V312-000010	5 - 38	162010-04561	2 - 1
P005-000510	8 - 622	V322-000031	2 - 38	175046-56030	2 - 13
P005-000520	6 - 23	V420-001081	1 - 41	175048-05530	2 - 16
P005-000520	7 - 623	V451-000400	2 - 17	175049-56030	2 - 14
P005-000520	8 - 923	V470-000580	4 - 11	177220-42030	2 - 28

Index

Parts Number	Key No.	Parts Number	Key No.	Parts Number	Key No.
177227-42030	2 - 31	900565-00005	2 - 32		
177228-27030	2 - 30	900603-00004	2 - 39		
177236-61830	2 - 23	900603-00005	2 - 36		
177246-11120	2 - 29	900701-00012	1 - 36		
178003-52130	5 - 11	900702-00028	1 - 34		
178010-52130	5 - 17	900807-06001	1 - 35		
178012-52730	5 - 19	91085-06040	5 - 25		
178013-52630	5 - 31	91141-05012	1 - 6		
178043-42230	5 - 18	91367-04010	3 - 16		
178090-52632	5 - 32	92280-05000	3 - 21		
178302-56630	5 - 24	94035-36201	1 - 24		
301200-29430	5 - 15				
351213-52130	5 - 5				
610217-56730	5 - 8				
610246-44730	5 - 7				
610272-52130	5 - 20				
610281-54130	5 - 33				
890152-04930	5 - 9				
890157-39130	5 - 35				
890332-52730	3 - 11				
890617-07660	5 - 4				
895410-39131	5 - 40				
900100-05012	5 - 36				
900105-05012	1 - 43				
900105-06010	5 - 26				
900105-06025	5 - 28				
900106-05008	1 - 9				
900106-05014	1 - 8				
900106-05014	3 - 14				
900162-05016	1 - 31				
900162-05025	1 - 12				
900162-05025	1 - 42				
900162-05025	2 - 37				
900162-05025	3 - 3				
900162-05028	1 - 26				
900163-04016	1 - 38				
900163-04016	2 - 33				
900242-05014	5 - 16				
900242-05025	5 - 14				
900242-05028	5 - 21				
900242-05035	5 - 13				
900242-05040	5 - 2				
900242-05065	3 - 8				
900253-04025	5 - 34				
900256-05016	1 - 1				
900500-00005	3 - 20				
900500-00005	5 - 12				
900514-00006	5 - 27				
900515-00008	2 - 11				



KIORITZ CORPORATION

7-2 SUEHIROCHO 1-CHOME, OHME, TOKYO 198-8711, JAPAN
PHONE: 81-428-32-6118. FAX: 81-428-32-6145.

ECHO[®]

200711 No.64-132(641316)641283