

P130.1, P150.1, P150.1 B

Model:

P 130.1-15 X-TRA
P 150.1-10
P 150.1-10 B
P 150.1-10 B X-TRA
P 150.1-10 BP X-TRA
P 150.1-10 X-TRA
P 150.1-15 SPECIAL



Part List US-English

07-06-2011

Nilfisk

www.nilfisk.com

Table of Contents

P130.1, P150.1, P150.1 B

| | |
|---|-----------|
| Chassis P150.1 B, P160.1 B | 3 |
| Chassis P150.1, P160.1 | 6 |
| Hose reel B X-TRA | 9 |
| Hose reel X-TRA | 11 |
| Motor pump unit for P140/150 | 13 |
| Motor pump unit for P150/160 | 16 |
| Motor pump unit for P120/130 | 19 |
| Motor pump unit for ERGO/SPECIAL | 22 |
| Motor pump unit for B | 25 |
| Motor pump unit for B X-TRA | 27 |
| Motor pump unit without pressure regulation - B | 29 |
| Motor pump unit without pressure regulation - B X- | 31 |
| Default accessories | 33 |

Chassis P150.1 B, P160.1 B

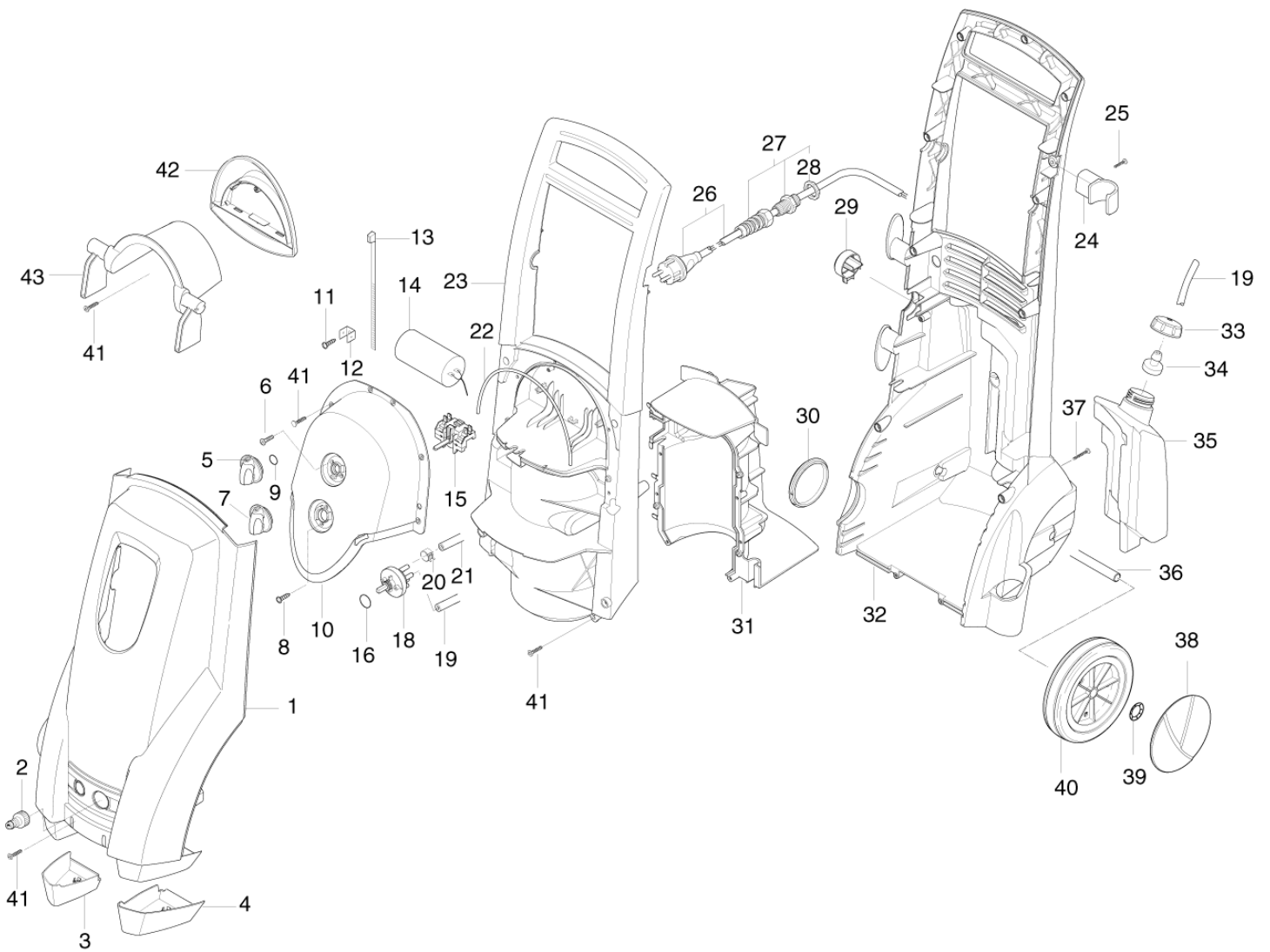
P130.1, P150.1, P150.1 B

07-06-2011

Part List ID

P02

3



Chassis P150.1 B, P160.1 B

P130.1, P150.1, P150.1 B

07-06-2011

Part List ID

P02

4

| Pos | Part no. | Qty | Description | EAN |
|-----|-----------|-----|--------------------------------------|------------|
| 1 | 6528690 | 1 | FRONT COVER. BLUE | 5701715353 |
| 2 | 1402809 | 1 | QUICK COUPLING MALE | 5701715008 |
| 3 | 6528565 | 1 | SUPPORT LEG RIGHT | 5701715379 |
| 4 | 6528566 | 1 | SUPPORT LET LEFT | 5701715379 |
| 5 | 909100204 | 1 | ROTARY KNOB 6X5 BLUE | 4005337689 |
| 6 | 1803451 | 2 | SCREW M4X10 POZI DIN 965 BLACK-CHROM | 5701715028 |
| 7 | 909100214 | 1 | ROTARY KNOB GR.1 4KT. 6X6+8X8 BLUE | 4005337026 |
| 8 | 1814730 | 2 | SCREW 30X10B | 5701715363 |
| 9 | 9868 | 1 | O RING DIA 10X2,5 | 4005337098 |
| 10 | 6528416 | 1 | COVER FOR ELECTRIC BOX | 5701715379 |
| 11 | 1814585 | 1 | PT-SCREW K30X12 WN1452 - BLACK TORX | 5701715121 |
| 12 | 1814725 | 1 | PLUG | 5701715363 |
| 13 | 1814741 | 1 | CABLE TIE | 5701715363 |
| 14 | 3821793 | 1 | CAPACITOR 50UF M. 500 MM CABEL | 5701715342 |
| 15 | 301001058 | 1 | CAM SWITCH 0-1 10A 400VAC | 4005337030 |
| 16 | 3004221 | 1 | O-RING 16X2 NITRIL 70 SHORE | 5701715039 |
| 18 | 126528628 | 1 | DOSING VALVE | 5703887100 |
| 19 | 5206040 | 1 | HOSE D9XD6 L1200 TRANSPARENT | 5701715312 |
| 20 | 1814679 | 1 | HOSE CLIP R12 | 5701715338 |
| 21 | 5206054 | 1 | HOSE EXT 12X3. 0 BLUE | 4005337171 |
| 22 | 6528414 | 1 | PACKING CORD 430MM | 5701715379 |
| 23 | 6528552 | 1 | CHASSIS FRONT BLACK | 5701715379 |
| 24 | 6528573 | 1 | LANCE HOLDER 38 | 5701715379 |
| 25 | 1814732 | 2 | SCREW K50X18 | 5701715363 |
| 26 | 6521455 | 1 | CABLE WITH PLUG L.5000 EU | 5701715378 |
| 26 | 6521456 | 1 | CABLE WITH PLUG L.5000 GB | 5701715378 |
| 26 | 6521457 | 1 | CABLE WITH PLUG L.5000 CH | 5701715378 |
| 27 | 6528601 | 1 | CABLE GLAND | 5701715379 |
| 28 | 1953 | 1 | NUT 6KT PG 11 46320 PVC | 4005337019 |
| 29 | 126528650 | 1 | PLUG F.PRESSURE GAUGE HOLE | 5701715420 |
| 30 | 126528651 | 1 | PLUG F. PRES.REG.KNOP HOLE | 5701715420 |
| 31 | 6528561 | 1 | MOTOR SHIELD REAR PART | 5701715379 |
| 32 | 6528562 | 1 | CHASSIS BACK BALCK | 5701715347 |
| 33 | 6528411 | 1 | DETERGENT TANK CAP | 5701715379 |
| 34 | 6400240 | 1 | FILTER | 5701715097 |
| 35 | 6528557 | 1 | DETERGENT TANK | 5701715379 |
| 36 | 6522842 | 1 | AXLE 15X333 P12476 | 5701715378 |
| 37 | 1814722 | 2 | SCREW K50X35 WN1451 TORX | 5701715363 |
| 38 | 6522843 | 2 | WHEEL CAP BLUE P12476 | 5701715378 |
| 39 | 11710 | 2 | CLAMPING RING Ø 15 | 4005337117 |
| 40 | 6528568 | 2 | WHEEL | 5701715379 |
| 41 | 101814782 | 31 | SCREW K50X18 WN 1451 TORX 20 | 4005337170 |

Chassis P150.1 B, P160.1 B

P130.1, P150.1, P150.1 B

07-06-2011

Part List ID

P02

5

| Pos | Part no. | Qty | Description | | EAN |
|-----|-----------|-----|--------------------------|-------------------|------------|
| 42 | 6528445 | 1 | HOSE HOOK FRONT | NOT X-TRA | 5701715379 |
| 43 | 6528444 | 1 | HOSE HOOK BACK | NOT X-TRA | 5701715379 |
| 44 | 128307017 | 1 | 10PCS BOXES TO P150/P160 | P 150.1 / P 160.1 | 5703887106 |

Chassis P150.1, P160.1

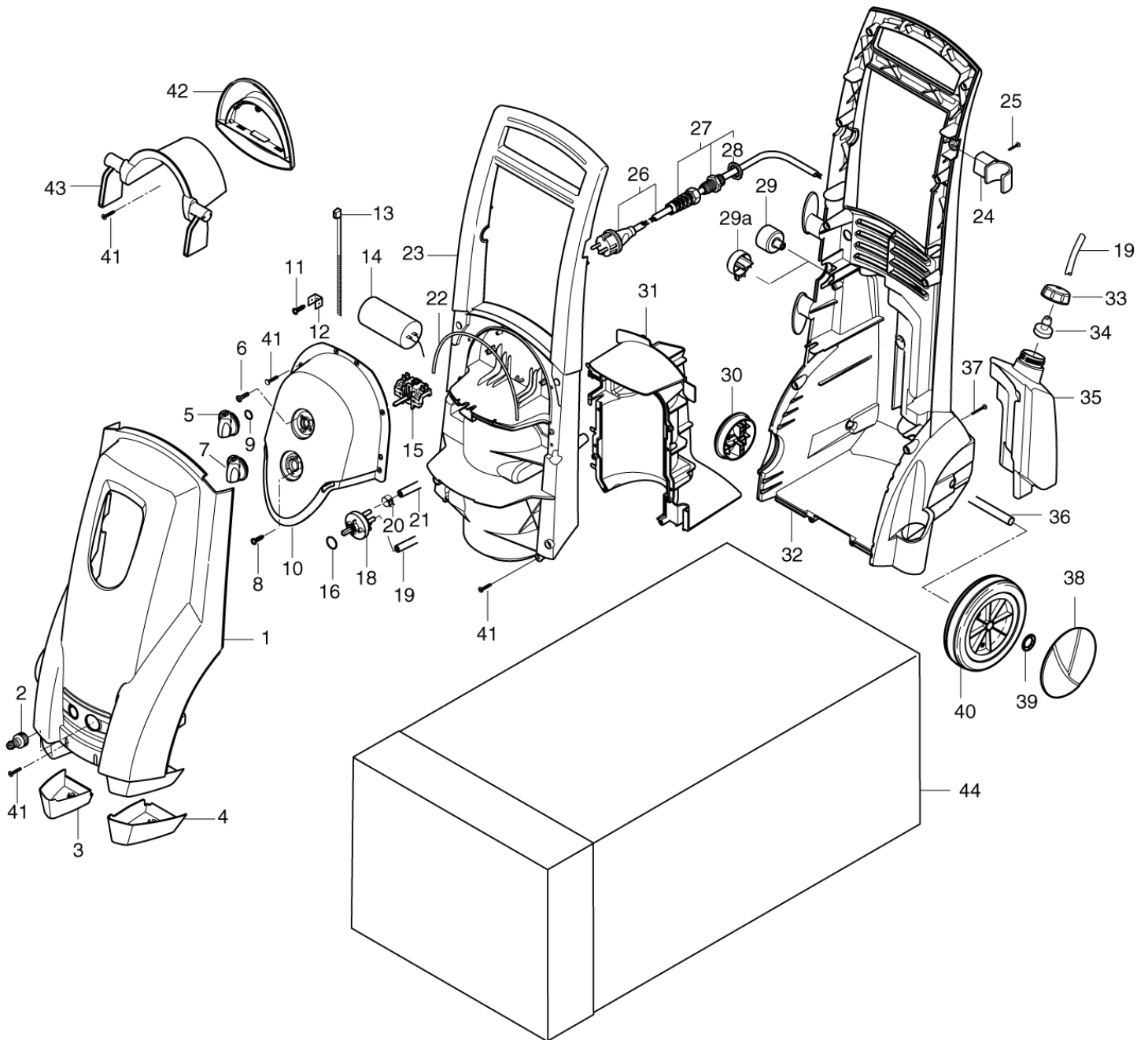
P130.1, P150.1, P150.1 B

07-06-2011

Part List ID

P03

6



Chassis P150.1, P160.1

P130.1, P150.1, P150.1 B

07-06-2011

Part List ID

P03

7

| Pos | Part no. | Qty | Description | EAN |
|-----|-----------|-----|--------------------------------------|------------|
| 1 | 6528690 | 1 | FRONT COVER. BLUE | 5701715353 |
| 2 | 1402809 | 1 | QUICK COUPLING MALE | 5701715008 |
| 3 | 6528565 | 1 | SUPPORT LEG RIGHT | 5701715379 |
| 4 | 6528566 | 1 | SUPPORT LET LEFT | 5701715379 |
| 5 | 909100204 | 1 | ROTARY KNOB 6X5 BLUE | 4005337689 |
| 6 | 1803451 | 2 | SCREW M4X10 POZI DIN 965 BLACK-CHROM | 5701715028 |
| 7 | 909100214 | 1 | ROTARY KNOB GR.1 4KT. 6X6+8X8 BLUE | 4005337026 |
| 8 | 1814730 | 2 | SCREW 30X10B | 5701715363 |
| 9 | 9868 | 1 | O RING DIA 10X2,5 | 4005337098 |
| 10 | 6528416 | 1 | COVER FOR ELECTRIC BOX | 5701715379 |
| 11 | 1814585 | 1 | PT-SCREW K30X12 WN1452 - BLACK TORX | 5701715121 |
| 12 | 1814725 | 1 | PLUG | 5701715363 |
| 13 | 1814741 | 1 | CABLE TIE | 5701715363 |
| 14 | 3821793 | 1 | CAPACITOR 50UF M. 500 MM CABEL | 5701715342 |
| 15 | 301001058 | 1 | CAM SWITCH 0-1 10A 400VAC | 4005337030 |
| 16 | 3004221 | 1 | O-RING 16X2 NITRIL 70 SHORE | 5701715039 |
| 18 | 126528628 | 1 | DOSING VALVE | 5703887100 |
| 19 | 5206040 | 1 | HOSE D9XD6 L1200 TRANSPARENT | 5701715312 |
| 20 | 1814679 | 1 | HOSE CLIP R12 | 5701715338 |
| 21 | 5206054 | 1 | HOSE EXT 12X3. 0 BLUE | 4005337171 |
| 22 | 6528414 | 1 | PACKING CORD 430MM | 5701715379 |
| 23 | 6528552 | 1 | CHASSIS FRONT BLACK | 5701715379 |
| 24 | 6528572 | 1 | LANCE HOLDER 47MM | 5701715379 |
| | | | Not for P 140 | |
| 24 | 6528573 | 1 | LANCE HOLDER 38 | 5701715379 |
| 25 | 1814732 | 2 | SCREW K50X18 | 5701715363 |
| 26 | 6521455 | 1 | CABLE WITH PLUG L.5000 EU | 5701715378 |
| 26 | 6521456 | 1 | CABLE WITH PLUG L.5000 GB | 5701715378 |
| 26 | 6521457 | 1 | CABLE WITH PLUG L.5000 CH | 5701715378 |
| 26 | 6521458 | 1 | ELECTRIC CABLE WITH PLUG 5M-ZA | 5703887105 |
| 26 | 6521459 | 1 | CABLE WITH PLUG AUS NZ | 5701715378 |
| 26 | 6521460 | 1 | CABLE WITH PLUG L5000 J | 5701715378 |
| 27 | 6528601 | 1 | CABLE GLAND | 5701715379 |
| 28 | 1953 | 1 | NUT 6KT PG 11 46320 PVC | 4005337019 |
| 29 | 127440027 | 1 | MANOMETER 0-315 BAR WHITE | 5703887106 |
| 30 | 6528435 | 1 | PRESSURE REGULATION KNOP | 5701715379 |
| 31 | 6528561 | 1 | MOTOR SHIELD REAR PART | 5701715379 |
| 32 | 6528562 | 1 | CHASSIS BACK BALCK | 5701715347 |
| 33 | 6528411 | 1 | DETERGENT TANK CAP | 5701715379 |
| 34 | 6400240 | 1 | FILTER | 5701715097 |
| 35 | 6528557 | 1 | DETERGENT TANK | 5701715379 |
| 36 | 6522842 | 1 | AXLE 15X333 P12476 | 5701715378 |
| 37 | 1814722 | 2 | SCREW K50X35 WN1451 TORX | 5701715363 |

Chassis P150.1, P160.1

P130.1, P150.1, P150.1 B

07-06-2011

Part List ID

P03

8

| Pos | Part no. | Qty | Description | EAN |
|-----|-----------|-----|--------------------------------|---------------------------------|
| 38 | 6522843 | 2 | WHEEL CAP BLUE P12476 | 5701715378 |
| 39 | 11710 | 2 | CLAMPING RING Ø 15 | 4005337117 |
| 40 | 6528568 | 2 | WHEEL | 5701715379 |
| 41 | 101814782 | 31 | SCREW K50X18 WN 1451 TORX 20 | 4005337170 |
| 42 | 6528445 | 1 | HOSE HOOK FRONT | 5701715379 |
| 43 | 6528444 | 1 | HOSE HOOK BACK | 5701715379 |
| 44 | 126486889 | 1 | BOX-10 PCS OF POSEIDON | 5701715420 |
| 44 | 128307017 | 1 | 10PCS BOXES TO P150/P160 | P 150.1 / P 160.1 5703887106 |
| NI | 126486889 | 1 | BOX-10 PCS. OF P150/P160 X-TRA | 5701715420 |

Hose reel B X-TRA

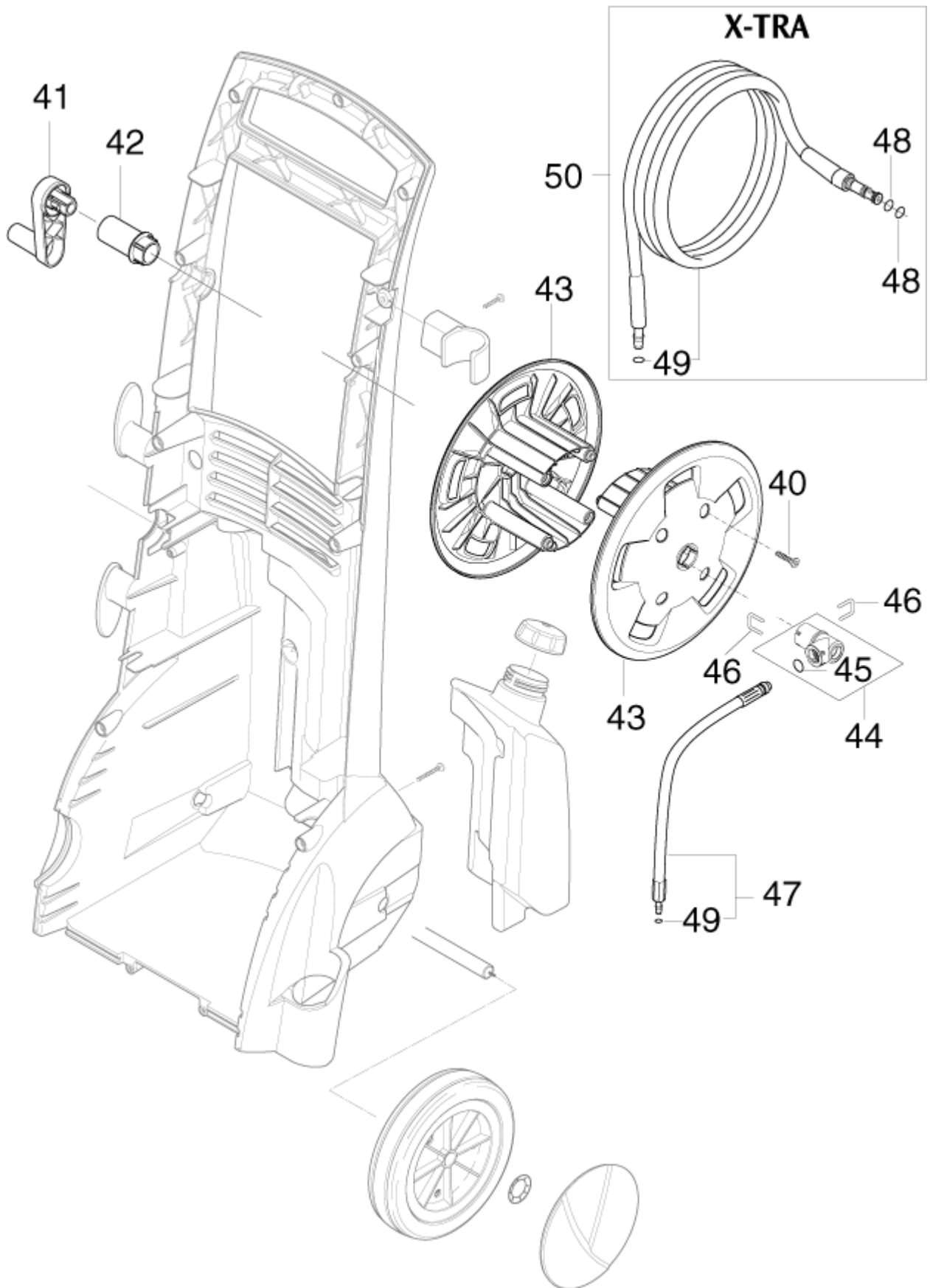
P130.1, P150.1, P150.1 B

07-06-2011

Part List ID

P04

9



Hose reel B X-TRA

P130.1, P150.1, P150.1 B

07-06-2011

Part List ID

P04

10

| Pos | Part no. | Qty | Description | EAN |
|-----|-----------|-----|------------------------------|------------|
| 40 | 101814782 | 4 | SCREW K50X18 WN 1451 TORX 20 | 4005337170 |
| 41 | 6528569 | 1 | HOSE REEL HANDL | 5701715379 |
| 42 | 6528571 | 1 | ADAPTOR | 5701715379 |
| 43 | 6528570 | 2 | HOSE REEL | 5701715379 |
| 44 | 6127006 | 1 | CONNECTOR P12427 REP.KIT | 5701715280 |
| 45 | 3002144 | 1 | O-RING 14.3X2.4 NITRIL 70 SH | 5701715038 |
| 46 | 6526487 | 2 | LOCK BRACKET SS | 5701715239 |
| 47 | 127500075 | 1 | X-TRA HOSE | 5703887104 |
| 48 | 3004321 | 2 | O-RING 10X2 ULTRATHAN | 5701715280 |
| 49 | 3004304 | 2 | O-RING 5.1X1.6 VITON SH 90 | 5701715269 |
| 50 | 126481143 | 1 | HOSE 10M X-TRA MODELS | 5703887102 |
| 50 | 6528611 | 1 | HOSE COMPL. STEELARM DN6X15M | 5701715337 |

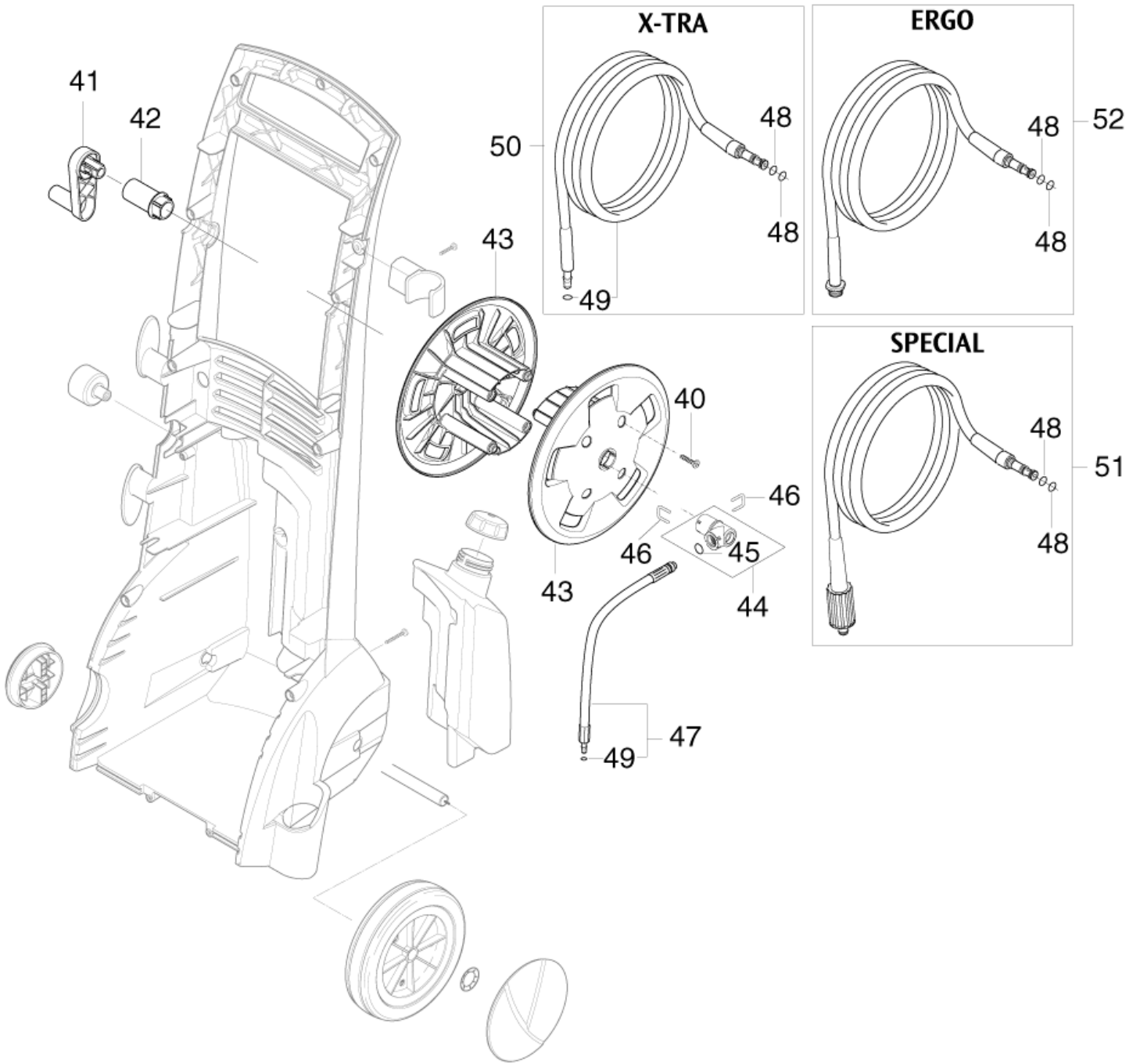
Hose reel X-TRA

P130.1, P150.1, P150.1 B

07-06-2011

Part List ID P05

11



Hose reel X-TRA

P130.1, P150.1, P150.1 B

07-06-2011

Part List ID

P05

12

| Pos | Part no. | Qty | Description | EA | EAN |
|-----|-----------|-----|----------------------------------|----------------------|------------|
| 40 | 101814782 | 4 | SCREW K50X18 WN 1451 TORX 20 | | 4005337170 |
| 41 | 6528569 | 1 | HOSE REEL HANDL | | 5701715379 |
| 42 | 6528571 | 1 | ADAPTOR | | 5701715379 |
| 43 | 6528570 | 2 | HOSE REEL | | 5701715379 |
| 44 | 6127006 | 1 | CONNECTOR P12427 REP.KIT | | 5701715280 |
| 45 | 3002144 | 1 | O-RING 14.3X2.4 NITRIL 70 SH | | 5701715038 |
| 46 | 6526487 | 2 | LOCK BRACKET SS | | 5701715239 |
| 47 | 127500075 | 1 | X-TRA HOSE | | 5703887104 |
| 48 | 3004321 | 2 | O-RING 10X2 ULTRATHAN | | 5701715280 |
| 49 | 3004304 | 2 | O-RING 5.1X1.6 VITON SH 90 | Only for X-TRA | 5701715269 |
| 49 | 6411221 | 1 | BAG W. 20 O-RINGS | | 5701715377 |
| 50 | 6528611 | 1 | HOSE COMPL. STEELARM DN6X15M | Only for X-TRA | 5701715337 |
| 51 | 6528612 | 1 | HOSE COMPL. STEELARMED DN6X15M | Only for PRO SPECIAL | 5701715348 |
| 52 | 6528613 | 1 | HOSE SINGLE WIRE 15M 3/8- QC DN6 | Only for PRO ERGO | 5701715348 |

Motor pump unit for P140/150

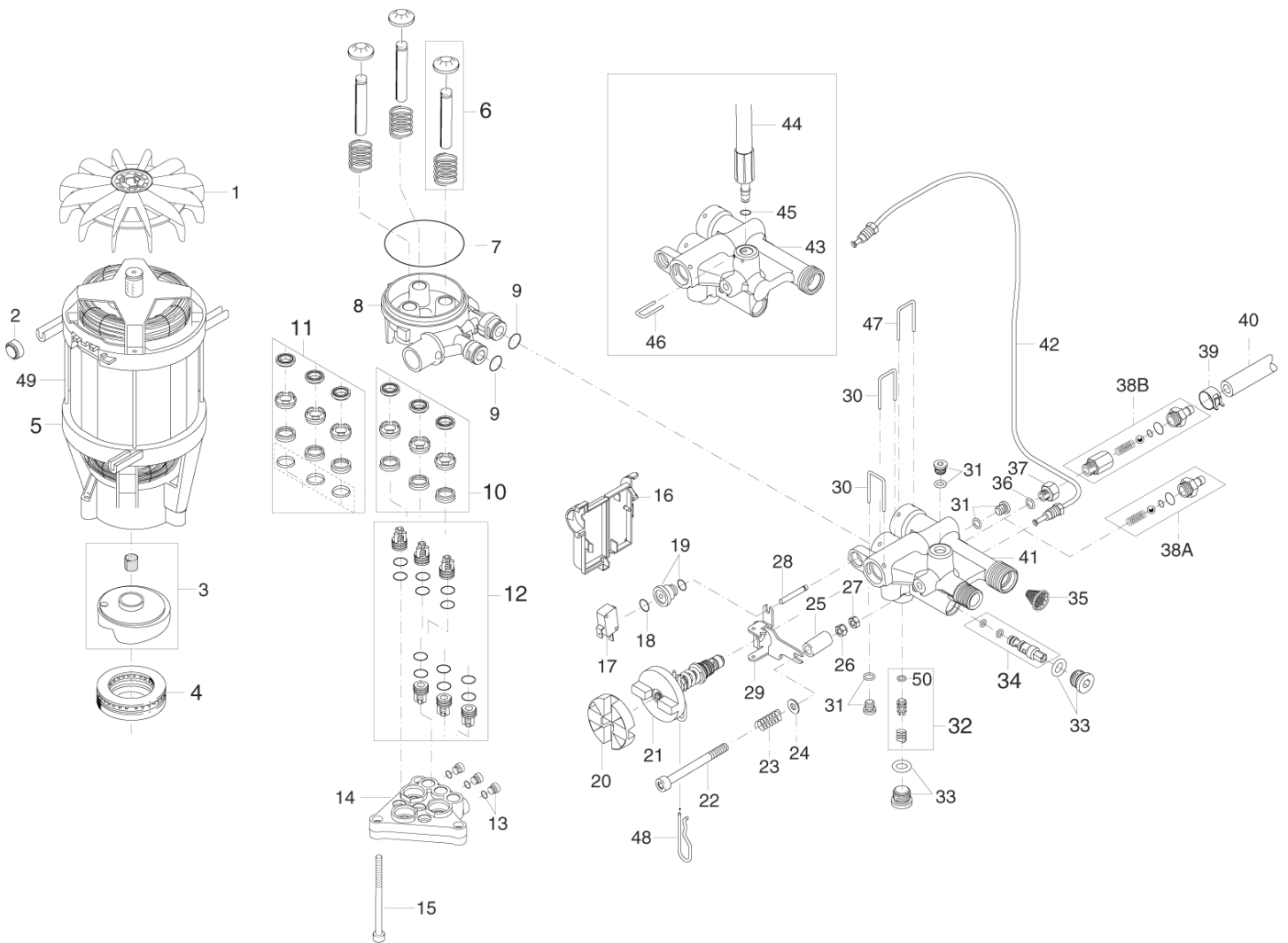
P130.1, P150.1, P150.1 B

07-06-2011

Part List ID

P06

13



Motor pump unit for P140/150

P130.1, P150.1, P150.1 B

07-06-2011

Part List ID

P06

14

| Pos | Part no. | Qty | Description | EAN |
|-----|-----------|-----|--|------------|
| 1 | 6524042 | 1 | FAN P406 | 5701715313 |
| 2 | 6524050 | 4 | RACK FOR MOTOR | 5701715261 |
| 3 | 6528585 | 1 | WOBBLE DISC 140, 150.1, ERGO, SPECIAL | 5701715379 |
| 4 | 1119705 | 1 | BEARING REPAIR KIT | 5701715116 |
| 5 | 6528593 | 1 | MOTOR 230-240V 50HZ 2.9KW 140, 120, 150.1, 130.1 | 5701715379 |
| 6 | 6526016 | 3 | PISTON KIT 140, 120, 150.1, 130.1 | 5701715125 |
| 7 | 3003654 | 1 | O-RING 80X2 NITRIL 70 SHORE | 5701715038 |
| 8 | 127440029 | 1 | CYLINDERBLOCK COMPLETE | 5703887106 |
| 9 | 3001393 | 2 | O-RING 17.13X2.62 NITRIL 90 SH | 5701715037 |
| 10 | 6526018 | 1 | SEAL SYSTEM SPARE PART | 5701715124 |
| 12 | 6526026 | 1 | VALVE SYSTEM REPAIR KIT | 5701715124 |
| 13 | 6528586 | 1 | PLUG WITH O-RING | 5701715342 |
| 14 | 6528616 | 1 | REP-KIT CYLINDER HEAD PLUS 0.3 | 5701715396 |
| 15 | 1814597 | 3 | CYLINDER SCREW M8X70 DIN 912-8.8 ZN | 5701715124 |
| 16 | 6528578 | 1 | MICROSWITCH BOX COMPLETE | 5701715379 |
| 17 | 3821991 | 1 | MICROSWITCH WORKED P12476 | 5701715369 |
| 18 | 3004082 | 1 | O-RING 11.6x2.4 SMS 1586 EPDM70 | 5701715038 |
| 19 | 6528598 | 1 | PLUG WITH O-RING | 5701715379 |
| 20 | 6528579 | 1 | SLIDING PLATE | 5701715379 |
| 21 | 126528629 | 1 | VALVE PISTON COMPLETE | 5701715419 |
| 22 | 1814740 | 1 | SCREW M6X65 | 5701715342 |
| 23 | 2602522 | 1 | SPRING F. ACTIVATOR ARM P12476 | 5701715365 |
| 24 | 1800440 | 2 | WASHER (1101320,1103440) | 5701715026 |
| 25 | 6528459 | 1 | DISTANCE PIECE | 5701715342 |
| 26 | 1805399 | 1 | LOCK NUT W. NYLONRING M6 A2 | 5701715029 |
| 27 | 1800705 | 1 | NUT M6 ISO 4032 | 5701715026 |
| 28 | 6528423 | 1 | ACTIVATOR PIN | 5701715379 |
| 29 | 6528581 | 1 | ACTIVATOR ARM | 5701715379 |
| 30 | 6528458 | 2 | LOCK BRACKET | 5701715342 |
| 31 | 6528599 | 3 | PLUG WITH O-RING | 5701715379 |
| 32 | 6528588 | 1 | NON RETURN VALVE COMPLETE | 5701715379 |
| 33 | 6528600 | 1 | PLUG COMPLETE | 5701715379 |
| 34 | 6528587 | 1 | INJECTOR BROWN COMPLETE 140,150,150.1,160.1 | 5701715379 |
| 35 | 6528574 | 1 | WATER FILTER COMPLETE | 5701715379 |
| 36 | 3004363 | 1 | O-RING 6.0 X 2.2 SH 70 >2004.05.10 and 2004.07.01 | 5701715342 |
| 37 | 6528545 | 1 | EXTENTION PIECE >2004.05.10 and 2004.07.01 | 5701715342 |
| 39 | 1814679 | 1 | HOSE CLIP R12 | 5701715338 |
| 40 | 5206040 | 1 | HOSE D9XD6 L1200 TRANSPARENT | 5701715312 |
| 41 | 6528582 | 1 | VALVE HOUSING STANDARD | 5701715379 |
| 42 | 6528558 | 1 | PRESSURE METER TUBE COMPLETE | 5701715379 |
| 43 | 6528583 | 1 | VALVE HOUSING X-TRA X-TRA | 5701715379 |
| 44 | 127500075 | 1 | X-TRA HOSE X-TRA | 5703887104 |

Motor pump unit for P140/150

P130.1, P150.1, P150.1 B

07-06-2011

Part List ID

P06

15

| Pos | Part no. | Qty | Description | | EAN |
|-----|-----------|-----|------------------------------|----------------------------|------------|
| 45 | 3004304 | 1 | O-RING 5.1X1.6 VITON SH 90 | X-TRA | 5701715269 |
| 46 | 6525619 | 1 | LOCK BRACKET. SMALL | X-TRA | 5701715342 |
| 47 | 6528544 | 1 | LOCK BRACKET | | 5701715412 |
| 48 | 6528461 | 1 | CROSS PIN | | 5701715342 |
| 49 | 7180924 | 4 | STUD 145 MM | | 5701715278 |
| 50 | 123004374 | 1 | O-RING 5.28 X 1.78 PUR SH 93 | | 5701715418 |
| 38A | 6528615 | 1 | HOSE TAIL | >2004.05.10 and 2004.07.01 | 5701715396 |
| 38B | 6124314 | 1 | HOSE TAIL COMPL. | >2004.05.10 and 2004.07.01 | 5701715070 |

Motor pump unit for P150/160

P130.1, P150.1, P150.1 B

07-06-2011

Part List ID

P06A

17

| Pos | Part no. | Qty | Description | EAN |
|-----|-----------|-----|-------------------------------------|--|
| 1 | 6524042 | 1 | FAN P406 | 5701715313 |
| 2 | 6524050 | 4 | RACK FOR MOTOR | 5701715261 |
| 3 | 6528592 | 1 | WOBBLE DISC | 5701715379 |
| 4 | 1119705 | 1 | BEARING REPAIR KIT | 5701715116 |
| 5 | 6528594 | 1 | MOTOR 230V 50HZ 3.3KW | 140, 120, 150.1, 130.1 5701715379 |
| 6 | 6528577 | 3 | PISTON.CERAMIC REP.KIT | 140, 120, 150.1, 130.1 5701715379 |
| 7 | 3003654 | 1 | O-RING 80X2 NITRIL 70 SHORE | 5701715038 |
| 8 | 127440029 | 1 | CYLINDERBLOCK COMPLETE | 5703887106 |
| 9 | 3001393 | 2 | O-RING 17.13X2.62 NITRIL 90 SH | 5701715037 |
| 10 | 6526018 | 1 | SEAL SYSTEM SPARE PART | 5701715124 |
| 11 | 6528602 | 1 | REP-KIT SEALING SYSTEM | For Ceramic pistons 5701715379 |
| 12 | 6526026 | 1 | VALVE SYSTEM REPAIRE KIT | 5701715124 |
| 13 | 6528586 | 1 | PLUG WITH O-RING | 5701715342 |
| 14 | 6528616 | 1 | REP-KIT CYLINDER HEAD PLUS 0.3 | 5701715396 |
| 15 | 1814597 | 3 | CYLINDER SCREW M8X70 DIN 912-8.8 ZN | 5701715124 |
| 16 | 6528578 | 1 | MICROSWITCH BOX COMPLETE | 5701715379 |
| 17 | 3821991 | 1 | MICROSWITCH WORKED P12476 | 5701715369 |
| 18 | 3004082 | 1 | O-RING 11.6x2.4 SMS 1586 EPDM70 | 5701715038 |
| 19 | 6528598 | 1 | PLUG WITH O-RING | 5701715379 |
| 20 | 6528579 | 1 | SLIDING PLATE | 5701715379 |
| 21 | 126528629 | 1 | VALVE PISTON COMPLETE | 5701715419 |
| 22 | 1814740 | 1 | SCREW M6X65 | 5701715342 |
| 23 | 2602522 | 1 | SPRING F. ACTIVATOR ARM P12476 | 5701715365 |
| 24 | 1800440 | 2 | WASHER (1101320,1103440) | 5701715026 |
| 25 | 6528459 | 1 | DISTANCE PIECE | 5701715342 |
| 26 | 1805399 | 1 | LOCK NUT W. NYLONRING M6 A2 | 5701715029 |
| 27 | 1800705 | 1 | NUT M6 ISO 4032 | 5701715026 |
| 28 | 6528423 | 1 | ACTIVATOR PIN | 5701715379 |
| 29 | 6528581 | 1 | ACTIVATOR ARM | 5701715379 |
| 30 | 6528458 | 2 | LOCK BRACKET | 5701715342 |
| 31 | 6528599 | 3 | PLUG WITH O-RING | 5701715379 |
| 32 | 6528588 | 1 | NON RETURN VALVE COMPLETE | 5701715379 |
| 33 | 6528600 | 1 | PLUG COMPLETE | 5701715379 |
| 34 | 6528587 | 1 | INJECTOR BROWN COMPLETE | 140,150,150.1,160.1 5701715379 |
| 35 | 6528574 | 1 | WATER FILTER COMPLETE | 5701715379 |
| 36 | 3004363 | 1 | O-RING 6.0 X 2.2 SH 70 | >2004.05.10 and 2004.07.01 5701715342 |
| 37 | 6528545 | 1 | EXTENTION PIECE | >2004.05.10 and 2007.07.01 5701715342 |
| 39 | 1814679 | 1 | HOSE CLIP R12 | 5701715338 |
| 40 | 5206040 | 1 | HOSE D9XD6 L1200 TRANSPARENT | 5701715312 |
| 41 | 6528582 | 1 | VALVE HOUSING STANDARD | 5701715379 |
| 42 | 6528558 | 1 | PRESSURE METER TUBE COMPLETE | 5701715379 |
| 43 | 6528583 | 1 | VALVE HOUSING X-TRA | X-TRA 5701715379 |

Motor pump unit for P150/160

P130.1, P150.1, P150.1 B

07-06-2011

Part List ID

P06A

18

| Pos | Part no. | Qty | Description | | EAN |
|-----|-----------|-----|------------------------------|----------------------------|------------|
| 44 | 127500075 | 1 | X-TRA HOSE | X-TRA | 5703887104 |
| 45 | 3004304 | 1 | O-RING 5.1X1.6 VITON SH 90 | X-TRA | 5701715269 |
| 45 | 6411221 | 1 | BAG W. 20 O-RINGS | | 5701715377 |
| 46 | 6525619 | 1 | LOCK BRACKET. SMALL | X-TRA | 5701715342 |
| 47 | 6528544 | 1 | LOCK BRACKET | | 5701715412 |
| 48 | 6528461 | 1 | CROSS PIN | | 5701715342 |
| 49 | 7180924 | 4 | STUD 145 MM | | 5701715278 |
| 50 | 123004374 | 1 | O-RING 5.28 X 1.78 PUR SH 93 | | 5701715418 |
| 38A | 6528615 | 1 | HOSE TAIL | >2004.05.10 and 2004.07.01 | 5701715396 |
| 38B | 6124314 | 1 | HOSE TAIL COMPL. | >2004.05.10 and 2004.07.01 | 5701715070 |

Motor pump unit for P120/130

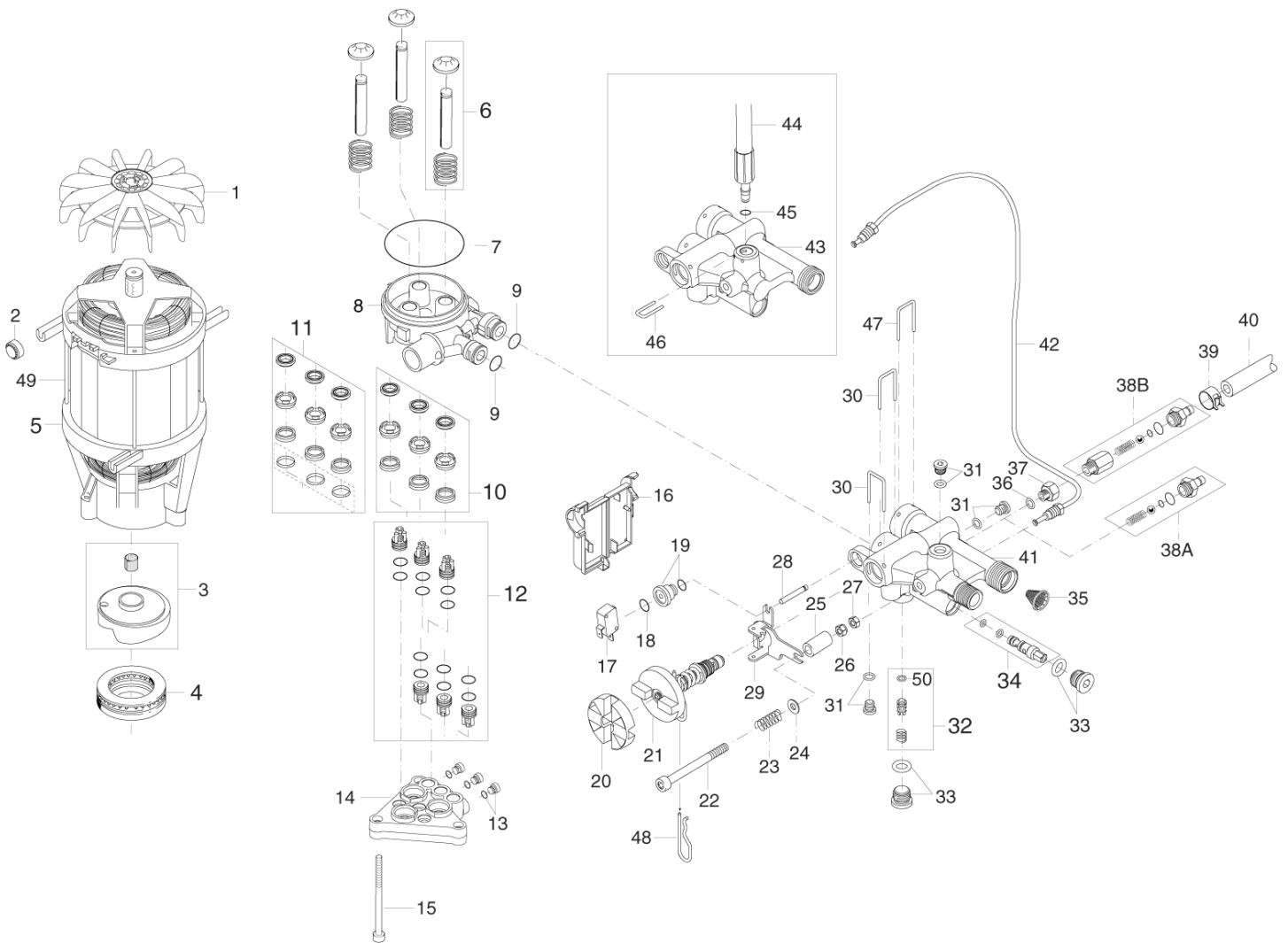
P130.1, P150.1, P150.1 B

07-06-2011

Part List ID

P06B

19



Motor pump unit for P120/130

P130.1, P150.1, P150.1 B

07-06-2011

Part List ID

P06B

20

| Pos | Part no. | Qty | Description | EAN |
|-----|-----------|-----|-------------------------------------|--|
| 1 | 6524042 | 1 | FAN P406 | 5701715313 |
| 2 | 6524050 | 4 | RACK FOR MOTOR | 5701715261 |
| 3 | 6528575 | 1 | WOBBLE DISC JP 50HZ SPARE PART | 5701715342 |
| 4 | 1119705 | 1 | BEARING REPAIR KIT | 5701715116 |
| 5 | 6528593 | 1 | MOTOR 230-240V 50HZ 2.9KW | 140, 120, 150.1, 130.1 5701715379 |
| 6 | 6526016 | 3 | PISTON KIT | 140, 120, 150.1, 130.1 5701715125 |
| 7 | 3003654 | 1 | O-RING 80X2 NITRIL 70 SHORE | 5701715038 |
| 8 | 127440029 | 1 | CYLINDERBLOCK COMPLETE | 5703887106 |
| 9 | 3001393 | 2 | O-RING 17.13X2.62 NITRIL 90 SH | 5701715037 |
| 10 | 6526018 | 1 | SEAL SYSTEM SPARE PART | 5701715124 |
| 12 | 6526026 | 1 | VALVE SYSTEM REPAIR KIT | 5701715124 |
| 13 | 6528586 | 1 | PLUG WITH O-RING | 5701715342 |
| 14 | 6528616 | 1 | REP-KIT CYLINDER HEAD PLUS 0.3 | 5701715396 |
| 15 | 1814597 | 3 | CYLINDER SCREW M8X70 DIN 912-8.8 ZN | 5701715124 |
| 16 | 6528578 | 1 | MICROSWITCH BOX COMPLETE | 5701715379 |
| 17 | 3821991 | 1 | MICROSWITCH WORKED P12476 | 5701715369 |
| 18 | 3004082 | 1 | O-RING 11.6x2.4 SMS 1586 EPDM70 | 5701715038 |
| 19 | 6528598 | 1 | PLUG WITH O-RING | 5701715379 |
| 20 | 6528579 | 1 | SLIDING PLATE | 5701715379 |
| 21 | 126528629 | 1 | VALVE PISTON COMPLETE | 5701715419 |
| 22 | 1814740 | 1 | SCREW M6X65 | 5701715342 |
| 23 | 2602522 | 1 | SPRING F. ACTIVATOR ARM P12476 | 5701715365 |
| 24 | 1800440 | 2 | WASHER (1101320,1103440) | 5701715026 |
| 25 | 6528459 | 1 | DISTANCE PIECE | 5701715342 |
| 26 | 1805399 | 1 | LOCK NUT W. NYLONRING M6 A2 | 5701715029 |
| 27 | 1800705 | 1 | NUT M6 ISO 4032 | 5701715026 |
| 28 | 6528423 | 1 | ACTIVATOR PIN | 5701715379 |
| 29 | 6528581 | 1 | ACTIVATOR ARM | 5701715379 |
| 30 | 6528458 | 2 | LOCK BRACKET | 5701715342 |
| 31 | 6528599 | 3 | PLUG WITH O-RING | 5701715379 |
| 32 | 6528588 | 1 | NON RETURN VALVE COMPLETE | 5701715379 |
| 33 | 6528600 | 1 | PLUG COMPLETE | 5701715379 |
| 34 | 6528614 | 1 | INJECTOR RED COMPLETE | 120,130 5701715413 |
| 35 | 6528574 | 1 | WATER FILTER COMPLETE | 5701715379 |
| 36 | 3004363 | 1 | O-RING 6.0 X 2.2 SH 70 | >2004.05.10 and 2004.07.01 5701715342 |
| 37 | 6528545 | 1 | EXTENTION PIECE | >2004.05.10 and 2004.07.01 5701715342 |
| 39 | 1814679 | 1 | HOSE CLIP R12 | 5701715338 |
| 40 | 5206040 | 1 | HOSE D9XD6 L1200 TRANSPARENT | 5701715312 |
| 42 | 6528558 | 1 | PRESSURE METER TUBE COMPLETE | 5701715379 |
| 43 | 6528583 | 1 | VALVE HOUSING X-TRA | X-TRA 5701715379 |
| 44 | 127500075 | 1 | X-TRA HOSE | X-TRA 5703887104 |
| 45 | 3004304 | 1 | O-RING 5.1X1.6 VITON SH 90 | X-TRA 5701715269 |

Motor pump unit for P120/130

P130.1, P150.1, P150.1 B

07-06-2011

Part List ID

P06B

21

| Pos | Part no. | Qty | Description | | EAN |
|-----|-----------|-----|------------------------------|----------------------------|------------|
| 46 | 6525619 | 1 | LOCK BRACKET. SMALL | X-TRA | 5701715342 |
| 47 | 6528544 | 1 | LOCK BRACKET | | 5701715412 |
| 48 | 6528461 | 1 | CROSS PIN | | 5701715342 |
| 49 | 7180924 | 4 | STUD 145 MM | | 5701715278 |
| 50 | 123004374 | 1 | O-RING 5.28 X 1.78 PUR SH 93 | | 5701715418 |
| 38A | 6528615 | 1 | HOSE TAIL | >2004.05.10 and 2004.07.01 | 5701715396 |
| 38B | 6124314 | 1 | HOSE TAIL COMPL. | >2004.05.10 and 2004.07.01 | 5701715070 |

Motor pump unit for ERGO/SPECIAL

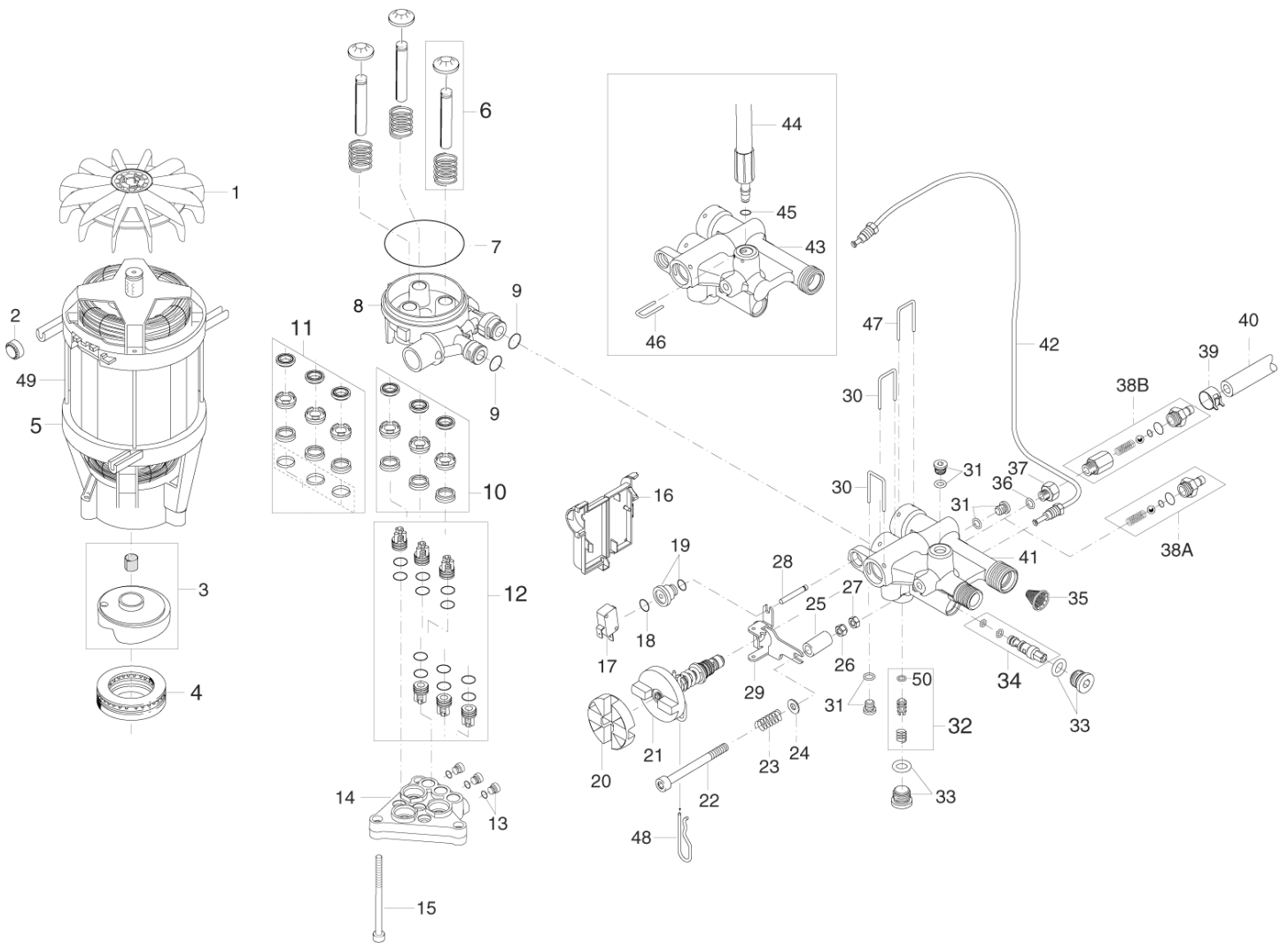
P130.1, P150.1, P150.1 B

07-06-2011

Part List ID

P06C

22



Motor pump unit for ERGO/SPECIAL

P130.1, P150.1, P150.1 B

07-06-2011

Part List ID

P06C

23

| Pos | Part no. | Qty | Description | EAN |
|-----|-----------|-----|--|------------|
| 1 | 6524042 | 1 | FAN P406 | 5701715313 |
| 2 | 6524050 | 4 | RACK FOR MOTOR | 5701715261 |
| 3 | 6528585 | 1 | WOBBLE DISC 140, 150.1, ERGO, SPECIAL | 5701715379 |
| 4 | 1119705 | 1 | BEARING REPAIR KIT | 5701715116 |
| 5 | 6528594 | 1 | MOTOR 230V 50HZ 3.3KW 145, 160 | 5701715379 |
| 6 | 6528577 | 3 | PISTON.CERAMIC REP.KIT 160.1, 150.1 | 5701715379 |
| 7 | 3003654 | 1 | O-RING 80X2 NITRIL 70 SHORE | 5701715038 |
| 8 | 127440029 | 1 | CYLINDERBLOCK COMPLETE | 5703887106 |
| 9 | 3001393 | 2 | O-RING 17.13X2.62 NITRIL 90 SH | 5701715037 |
| 10 | 6526018 | 1 | SEAL SYSTEM SPARE PART | 5701715124 |
| 11 | 6528602 | 1 | REP-KIT SEALING SYSTEM For ceramic pistons | 5701715379 |
| 12 | 6526026 | 1 | VALVE SYSTEM REPAIRE KIT | 5701715124 |
| 13 | 6528586 | 1 | PLUG WITH O-RING | 5701715342 |
| 14 | 6528616 | 1 | REP-KIT CYLINDER HEAD PLUS 0.3 | 5701715396 |
| 15 | 1814597 | 3 | CYLINDER SCREW M8X70 DIN 912-8.8 ZN | 5701715124 |
| 16 | 6528578 | 1 | MICROSWITCH BOX COMPLETE | 5701715379 |
| 17 | 3821991 | 1 | MICROSWITCH WORKED P12476 | 5701715369 |
| 18 | 3004082 | 1 | O-RING 11.6x2.4 SMS 1586 EPDM70 | 5701715038 |
| 19 | 6528598 | 1 | PLUG WITH O-RING | 5701715379 |
| 20 | 6528579 | 1 | SLIDING PLATE | 5701715379 |
| 21 | 126528629 | 1 | VALVE PISTON COMPLETE | 5701715419 |
| 22 | 1814740 | 1 | SCREW M6X65 | 5701715342 |
| 23 | 2602522 | 1 | SPRING F. ACTIVATOR ARM P12476 | 5701715365 |
| 24 | 1800440 | 2 | WASHER (1101320,1103440) | 5701715026 |
| 25 | 6528459 | 1 | DISTANCE PIECE | 5701715342 |
| 26 | 1805399 | 1 | LOCK NUT W. NYLONRING M6 A2 | 5701715029 |
| 27 | 1800705 | 1 | NUT M6 ISO 4032 | 5701715026 |
| 28 | 6528423 | 1 | ACTIVATOR PIN | 5701715379 |
| 29 | 6528581 | 1 | ACTIVATOR ARM | 5701715379 |
| 30 | 6528458 | 2 | LOCK BRACKET | 5701715342 |
| 31 | 6528599 | 3 | PLUG WITH O-RING | 5701715379 |
| 32 | 6528588 | 1 | NON RETURN VALVE COMPLETE | 5701715379 |
| 33 | 6528600 | 1 | PLUG COMPLETE | 5701715379 |
| 34 | 6528587 | 1 | INJECTOR BROWN COMPLETE 140,150,150.1,160.1 | 5701715379 |
| 35 | 6528574 | 1 | WATER FILTER COMPLETE | 5701715379 |
| 36 | 3004363 | 1 | O-RING 6.0 X 2.2 SH 70 >2004.05.10 and 2004.07.01 | 5701715342 |
| 37 | 6528545 | 1 | EXTENTION PIECE >2004.05.10 and 2004.07.01 | 5701715342 |
| 39 | 1814679 | 1 | HOSE CLIP R12 | 5701715338 |
| 40 | 5206040 | 1 | HOSE D9XD6 L1200 TRANSPARENT | 5701715312 |
| 42 | 6528558 | 1 | PRESSURE METER TUBE COMPLETE | 5701715379 |
| 43 | 6528583 | 1 | VALVE HOUSING X-TRA X-TRA | 5701715379 |
| 44 | 127500075 | 1 | X-TRA HOSE X-TRA | 5703887104 |

Motor pump unit for ERGO/SPECIAL

P130.1, P150.1, P150.1 B

07-06-2011

Part List ID

P06C

24

| Pos | Part no. | Qty | Description | | EAN |
|-----|-----------|-----|------------------------------|----------------------------|------------|
| 45 | 3004304 | 1 | O-RING 5.1X1.6 VITON SH 90 | X-TRA | 5701715269 |
| 46 | 6525619 | 1 | LOCK BRACKET. SMALL | X-TRA | 5701715342 |
| 47 | 6528544 | 1 | LOCK BRACKET | | 5701715412 |
| 48 | 6528461 | 1 | CROSS PIN | | 5701715342 |
| 49 | 7180924 | 4 | STUD 145 MM | | 5701715278 |
| 50 | 123004374 | 1 | O-RING 5.28 X 1.78 PUR SH 93 | | 5701715418 |
| 38A | 6528615 | 1 | HOSE TAIL | >2004.05.10 and 2004.07.01 | 5701715396 |
| 38B | 6124314 | 1 | HOSE TAIL COMPL. | >2004.05.10 and 2004.07.01 | 5701715070 |

Motor pump unit for B

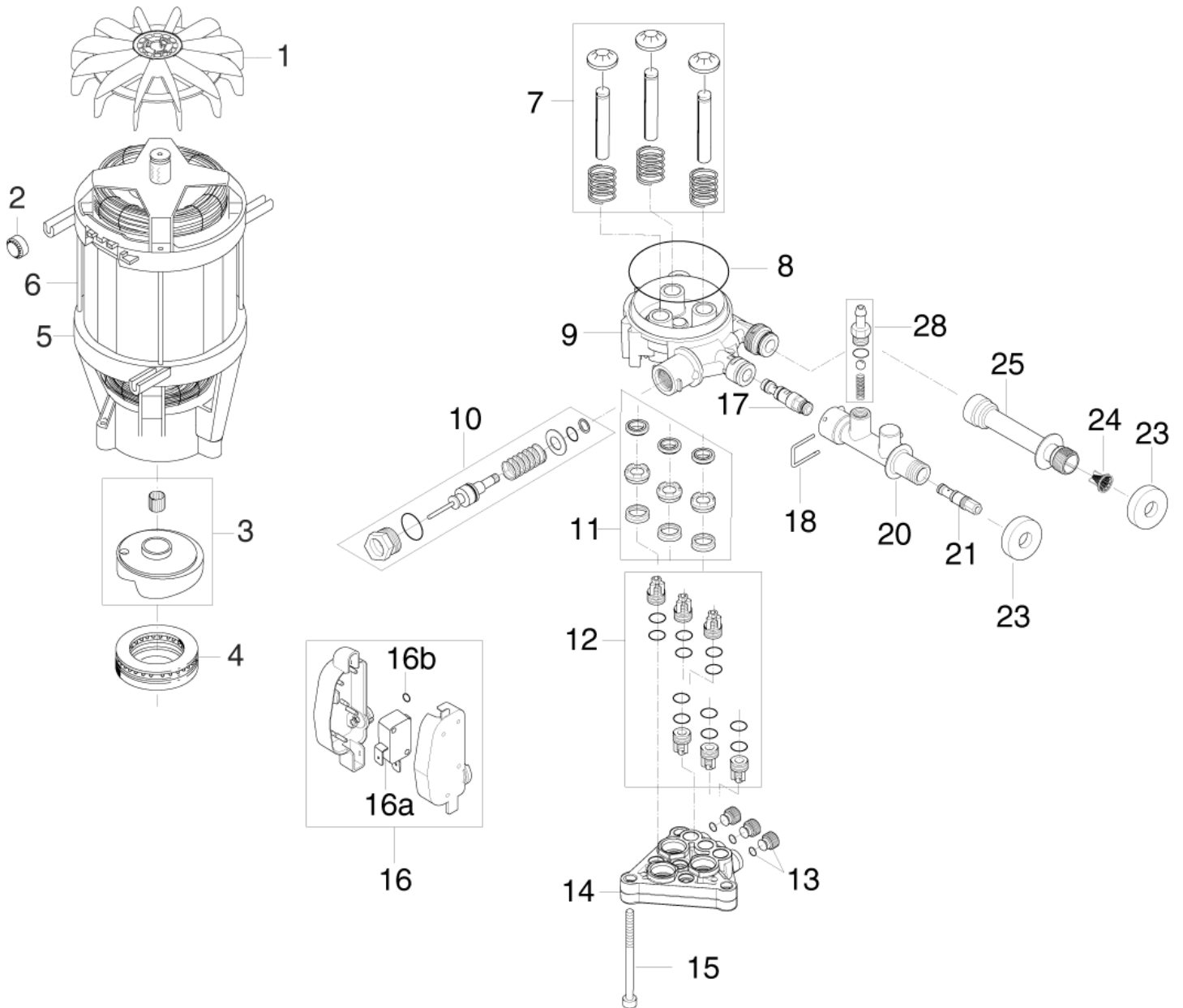
P130.1, P150.1, P150.1 B

07-06-2011

Part List ID

P06D

25



Motor pump unit for B

P130.1, P150.1, P150.1 B

07-06-2011

Part List ID

P06D

26

| Pos | Part no. | Qty | Description | EAN |
|-----|-----------|-----|-------------------------------------|------------|
| 1 | 6524042 | 1 | FAN P406 | 5701715313 |
| 2 | 6524050 | 1 | RACK FOR MOTOR | 5701715261 |
| 3 | 126528652 | 1 | WOBBLE DISC 9.2 | 5701715420 |
| 4 | 1119705 | 1 | BEARING REPAIR KIT | 5701715116 |
| 5 | 6528593 | 1 | MOTOR 230-240V 50HZ 2.9KW | 5701715379 |
| 5 | 6528594 | 1 | MOTOR 230V 50HZ 3.3KW | 5701715379 |
| 6 | 106526209 | 3 | STUD | 5701715305 |
| 7 | 6526016 | 1 | PISTON KIT | 5701715125 |
| 8 | 3003654 | 1 | O-RING 80X2 NITRIL 70 SHORE | 5701715038 |
| 9 | 6525598 | 1 | CYLINDER BLOCK. ANODIZATION | 5701715395 |
| 10 | 126528653 | 1 | START/STOP VALVE | 5701715420 |
| 11 | 6526018 | 1 | SEAL SYSTEM SPARE PART | 5701715124 |
| 12 | 6526026 | 1 | VALVE SYSTEM REPAIR KIT | 5701715124 |
| 13 | 6528586 | 3 | PLUG WITH O-RING | 5701715342 |
| 14 | 6528616 | 1 | REP-KIT CYLINDER HEAD PLUS 0.3 | 5701715396 |
| 15 | 1814597 | 3 | CYLINDER SCREW M8X70 DIN 912-8.8 ZN | 5701715124 |
| 16 | 126528654 | 1 | MICROSWITCH BOX COMPLETE | 5701715420 |
| 17 | 126528655 | 1 | INJECTOR ALTO-BLUE | 5701715420 |
| 18 | 6528458 | 1 | LOCK BRACKET | 5701715342 |
| 20 | 126528660 | 1 | WATER OUTLET STD | 5701715420 |
| 21 | 126528656 | 1 | INJECTOR BORDEAUX | 5701715420 |
| 23 | 126486792 | 2 | FOAM SEAL FOR OUTLET INLET | 5701715398 |
| 24 | 6528574 | 1 | WATER FILTER COMPLETE | 5701715379 |
| 25 | 126528749 | 1 | WATER INLET NEW | 5703887100 |
| 28 | 6528615 | 1 | HOSE TAIL | 5701715396 |
| 16A | 123822159 | 1 | MICROSWITCH 16/16 MARQUART | 5703887100 |
| 16B | 3004082 | 1 | O-RING 11.6x2.4 SMS 1586 EPDM70 | 5701715038 |

Motor pump unit for B X-TRA

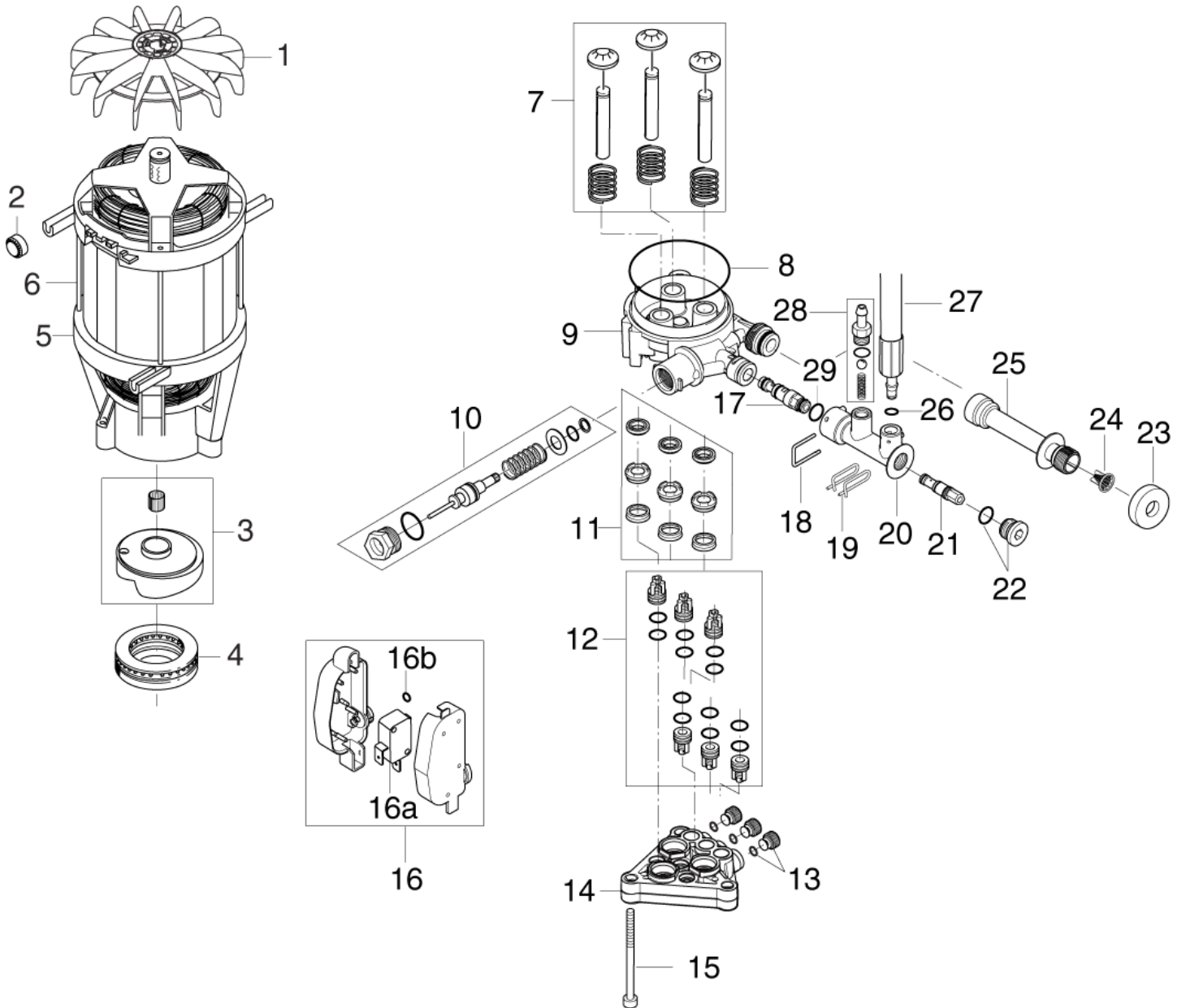
P130.1, P150.1, P150.1 B

07-06-2011

Part List ID

P06E

27



Motor pump unit for B X-TRA

P130.1, P150.1, P150.1 B

07-06-2011

Part List ID

P06E

28

| Pos | Part no. | Qty | Description | EA | EAN |
|-----|-----------|-----|-------------------------------------|----------|------------|
| 1 | 6524042 | 1 | FAN P406 | | 5701715313 |
| 2 | 6524050 | 1 | RACK FOR MOTOR | | 5701715261 |
| 3 | 126528652 | 1 | WOBBLE DISC 9.2 | P150.1 B | 5701715420 |
| 3 | 126528657 | 1 | WOBBLE DISC | P160.1 B | 5701715420 |
| 4 | 1119705 | 1 | BEARING REPAIR KIT | | 5701715116 |
| 5 | 6528593 | 1 | MOTOR 230-240V 50HZ 2.9KW | | 5701715379 |
| 5 | 6528594 | 1 | MOTOR 230V 50HZ 3.3KW | | 5701715379 |
| 6 | 106526209 | 3 | STUD | | 5701715305 |
| 7 | 6526016 | 1 | PISTON KIT | | 5701715125 |
| 8 | 3003654 | 1 | O-RING 80X2 NITRIL 70 SHORE | | 5701715038 |
| 9 | 6525598 | 1 | CYLINDER BLOCK. ANODIZATION | | 5701715395 |
| 10 | 126528653 | 1 | START/STOP VALVE | | 5701715420 |
| 11 | 6526018 | 1 | SEAL SYSTEM SPARE PART | | 5701715124 |
| 12 | 6526026 | 1 | VALVE SYSTEM REPAIR KIT | | 5701715124 |
| 13 | 6528586 | 3 | PLUG WITH O-RING | | 5701715342 |
| 14 | 6528616 | 1 | REP-KIT CYLINDER HEAD PLUS 0.3 | | 5701715396 |
| 15 | 1814597 | 3 | CYLINDER SCREW M8X70 DIN 912-8.8 ZN | | 5701715124 |
| 16 | 126528654 | 1 | MICROSWITCH BOX COMPLETE | | 5701715420 |
| 17 | 126528655 | 1 | INJECTOR ALTO-BLUE | | 5701715420 |
| 18 | 6528458 | 1 | LOCK BRACKET | | 5701715342 |
| 19 | 126528532 | 2 | LOCK BRACKET | | 5703887100 |
| 20 | 126528658 | 1 | WATER OUTLET X-TRA | | 5701715420 |
| 21 | 126528656 | 1 | INJECTOR BORDEAUX | | 5701715420 |
| 22 | 6528600 | 1 | PLUG COMPLETE | | 5701715379 |
| 23 | 126486792 | 1 | FOAM SEAL FOR OUTLET INLET | | 5701715398 |
| 24 | 6528574 | 1 | WATER FILTER COMPLETE | | 5701715379 |
| 25 | 126528659 | 1 | WATER INLET | | 5701715420 |
| 26 | 3004304 | 1 | O-RING 5.1X1.6 VITON SH 90 | | 5701715269 |
| 27 | 127500075 | 1 | X-TRA HOSE | | 5703887104 |
| 28 | 6528615 | 1 | HOSE TAIL | | 5701715396 |
| 29 | 3001393 | 1 | O-RING 17.13X2.62 NITRIL 90 SH | | 5701715037 |
| 16A | 123822159 | 1 | MICROSWITCH 16/16 MARQUART | | 5703887100 |
| 16B | 3004082 | 1 | O-RING 11.6x2.4 SMS 1586 EPDM70 | | 5701715038 |

Motor pump unit without pressure regulation

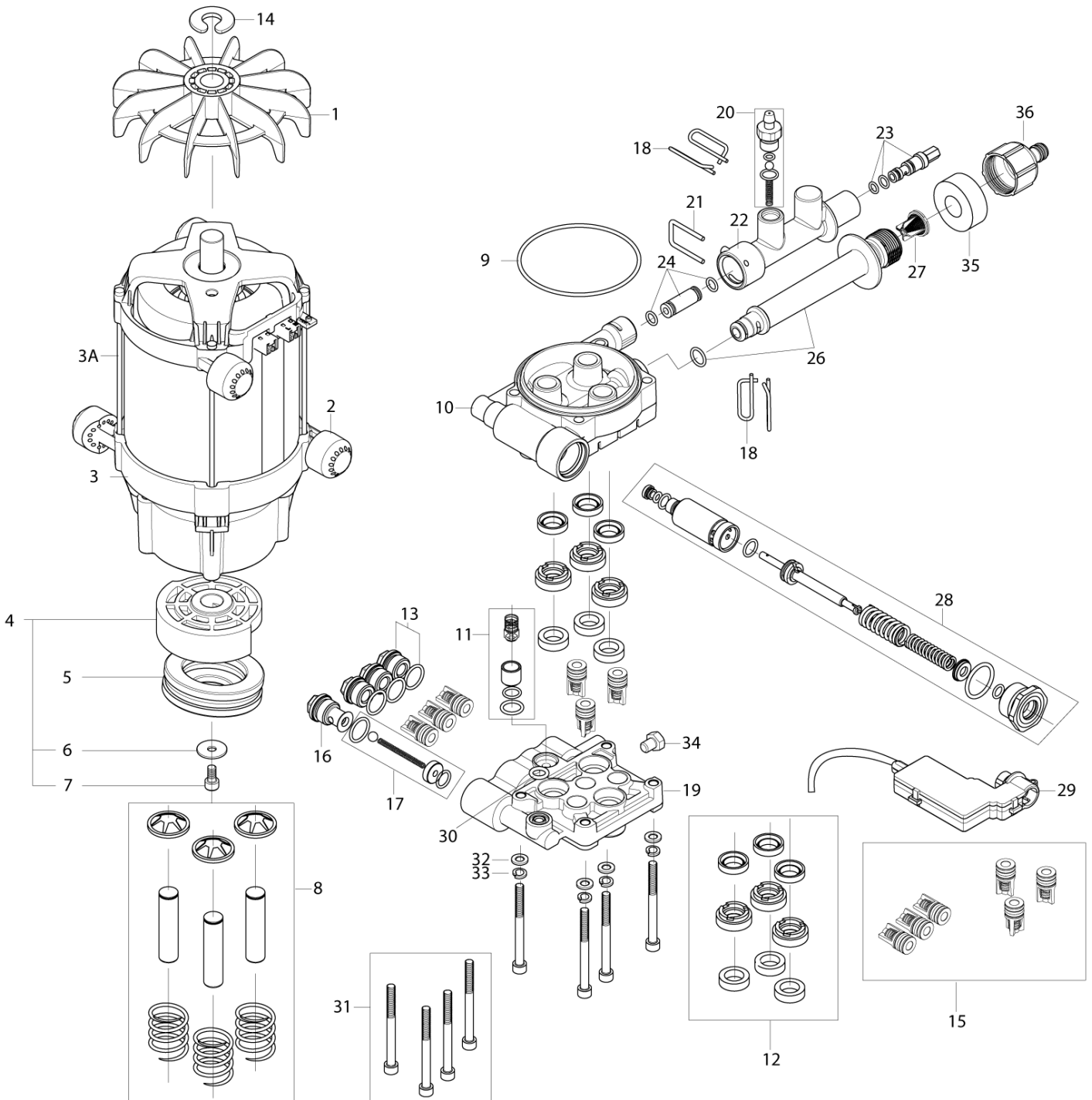
P130.1, P150.1, P150.1 B

07-06-2011

Part List ID

P06F

29



Motor pump unit without pressure regulation

P130.1, P150.1, P150.1 B

07-06-2011

Part List ID

P06F

30

| Pos | Part no. | Qty | Description | EAN |
|-----|-----------|-----|--------------------------------|------------|
| 1 | 127500040 | 1 | NEW FAN | 5703887104 |
| 2 | 6524050 | 3 | RACK FOR MOTOR | 5701715261 |
| 3 | 127500000 | 1 | MOTOR 230-240V 50HZ 2.9KW | 5703887102 |
| 3 | 127500011 | 1 | MOTOR 230-240V 50HZ 3.3KW | 5703887104 |
| 4 | 127500001 | 1 | WOBBLE DISK 230-240V50HZ2.9KW | 5703887102 |
| 4 | 127500012 | 1 | WOBBLE DISK 230-240V50HZ3.3KW | 5703887104 |
| 5 | 127500002 | 1 | THRUST BALL BEARING | 5703887102 |
| 6 | 127130066 | 1 | WASHER D22XD6.4X1.5 | 5703887102 |
| 7 | 3913 | 1 | SCREW M6X12 | 4005337039 |
| 8 | 127500003 | 1 | PISTON COMPLETE 3PCS | 5703887102 |
| 9 | 127500020 | 1 | O-RING 85X2.62 NR70 | 5703887104 |
| 10 | 127500004 | 1 | CYLINDER GUIDE | 5703887102 |
| 11 | 127500013 | 1 | NON RETURN VALVE | 5703887104 |
| 12 | 127500037 | 1 | SEALING PARTS SYSTEM | 5703887104 |
| 13 | 127500015 | 3 | PLUG M18X1.5 WITH O-RING | 5703887104 |
| 14 | 127500051 | 1 | LOCK RING | 5703887104 |
| 15 | 127500036 | 1 | INLET/OUTLET VALVE SYSTEM 6PCS | 5703887104 |
| 16 | 127500005 | 1 | EASY START PLUG | 5703887102 |
| 17 | 127500014 | 1 | KIT FOR EASY START | 5703887104 |
| 18 | 126528532 | 1 | LOCK BRACKET | 5703887100 |
| 19 | 127500006 | 1 | CYLINDER HEAD | 5703887102 |
| 20 | 127500017 | 1 | CONNECTION PIECE | 5703887104 |
| 21 | 127500021 | 1 | LOCK BRACKET | 5703887104 |
| 22 | 127500022 | 1 | OUTLET SANTDARD | 5703887104 |
| 23 | 126528656 | 1 | INJECTOR BORDEAUX | 5701715420 |
| 24 | 127500007 | 1 | REDUCTION WITH O-RING | 5703887102 |
| 26 | 127500008 | 1 | WATER INLET | 5703887102 |
| 27 | 6528574 | 1 | WATER FILTER COMPLETE | 5701715379 |
| 28 | 127500052 | 1 | S/S VALVE COMPLETE | 5703887106 |
| 29 | 127500010 | 1 | MICRO SWITCH BOX SYSTEM | 5703887102 |
| 30 | 127500073 | 1 | O-RING 9.6X2.4 NITRIL 70 SH | 5703887104 |
| 31 | 127500071 | 4 | SCREW M6X70 DIN 912 4PCS | 5703887104 |
| 32 | 127500029 | 4 | WASHER | 5703887104 |
| 33 | 127130063 | 4 | SPRING WASHER M6 DIN 127B | 5703887105 |
| 34 | 127500072 | 1 | SCREW M8 | 5703887104 |
| 35 | 126486792 | 1 | FOAM SEAL FOR OUTLET INLET | 5701715398 |
| 36 | 1402809 | 1 | QUICK COUPLING MALE | 5701715008 |
| 3A | 7180924 | 1 | STUD 145 MM | 5701715278 |

Motor pump unit without pressure regulation -

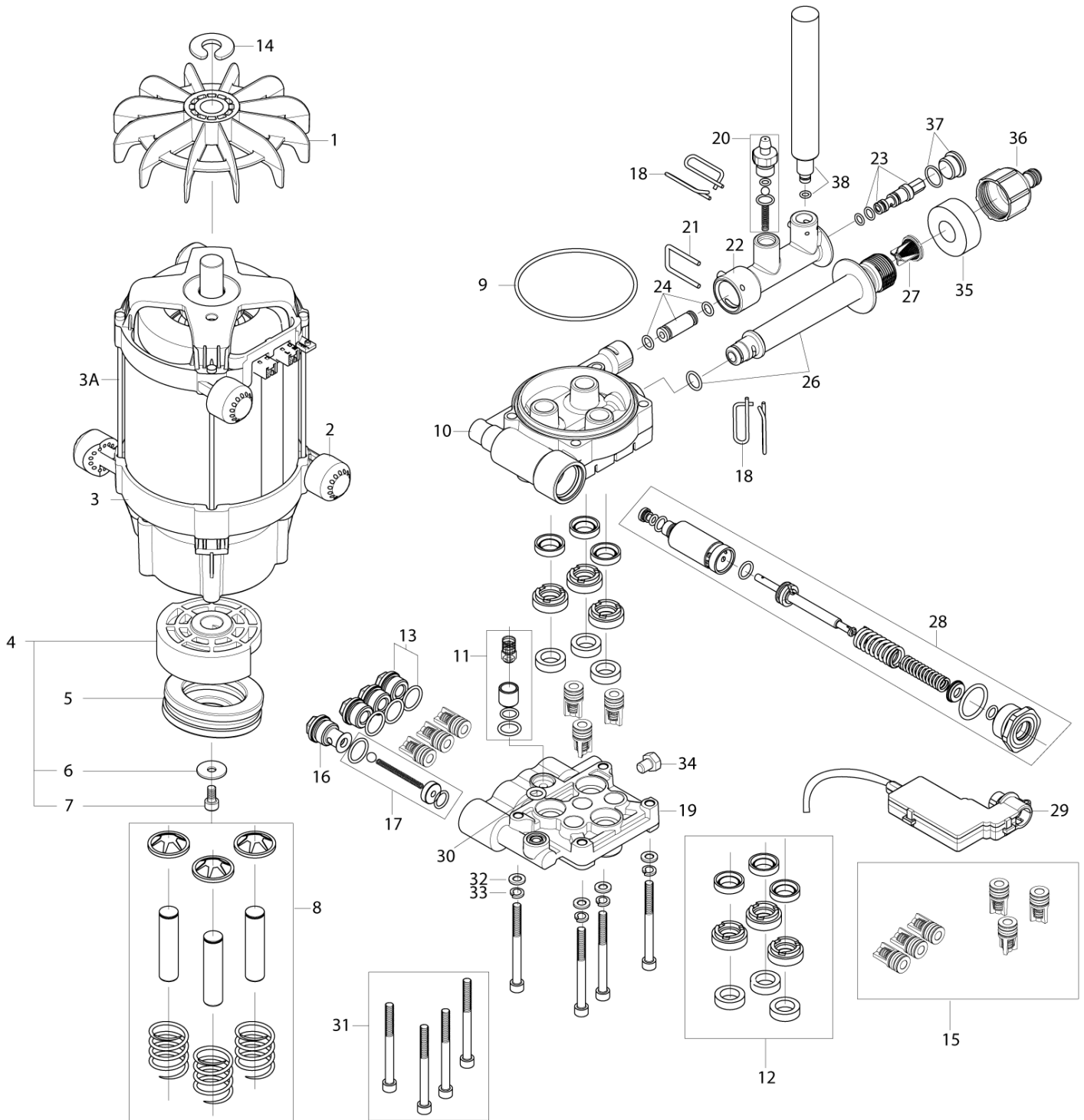
P130.1, P150.1, P150.1 B

07-06-2011

Part List ID

P06G

31



Motor pump unit without pressure regulation -

P130.1, P150.1, P150.1 B

07-06-2011

Part List ID

P06G

32

| Pos | Part no. | Qty | Description | EAN |
|-----|-----------|-----|--------------------------------|------------|
| 1 | 127500040 | 1 | NEW FAN | 5703887104 |
| 2 | 6524050 | 4 | RACK FOR MOTOR | 5701715261 |
| 3 | 127500000 | 1 | MOTOR 230-240V 50HZ 2.9KW | 5703887102 |
| 3 | 127500011 | 1 | MOTOR 230-240V 50HZ 3.3KW | 5703887104 |
| 4 | 127500001 | 1 | WOBBLE DISK 230-240V50HZ2.9KW | 5703887102 |
| 4 | 127500012 | 1 | WOBBLE DISK 230-240V50HZ3.3KW | 5703887104 |
| 5 | 127500002 | 1 | THRUST BALL BEARING | 5703887102 |
| 6 | 127130066 | 1 | WASHER D22XD6.4X1.5 | 5703887102 |
| 7 | 3913 | 1 | SCREW M6X12 | 4005337039 |
| 8 | 127500003 | 1 | PISTON COMPLETE 3PCS | 5703887102 |
| 9 | 127500020 | 1 | O-RING 85X2.62 NR70 | 5703887104 |
| 10 | 127500004 | 1 | CYLINDER GUIDE | 5703887102 |
| 11 | 127500013 | 1 | NON RETURN VALVE | 5703887104 |
| 12 | 127500037 | 1 | SEALING PARTS SYSTEM | 5703887104 |
| 13 | 127500015 | 3 | PLUG M18X1.5 WITH O-RING | 5703887104 |
| 14 | 127500051 | 1 | LOCK RING | 5703887104 |
| 15 | 127500036 | 1 | INLET/OUTLET VALVE SYSTEM 6PCS | 5703887104 |
| 16 | 127500005 | 1 | EASY START PLUG | 5703887102 |
| 17 | 127500014 | 1 | KIT FOR EASY START | 5703887104 |
| 18 | 126528532 | 4 | LOCK BRACKET | 5703887100 |
| 19 | 127500006 | 1 | CYLINDER HEAD | 5703887102 |
| 20 | 127500017 | 1 | CONNECTION PIECE | 5703887104 |
| 21 | 127500021 | 1 | LOCK BRACKET | 5703887104 |
| 22 | 127500023 | 1 | OUTLET X-TRA | 5703887104 |
| 23 | 126528656 | 1 | INJECTOR BORDEAUX | 5701715420 |
| 24 | 127500007 | 1 | REDUCTION WITH O-RING | 5703887102 |
| 26 | 127500008 | 1 | WATER INLET | 5703887102 |
| 27 | 6528574 | 1 | WATER FILTER COMPLETE | 5701715379 |
| 28 | 127500052 | 1 | S/S VALVE COMPLETE | 5703887106 |
| 29 | 127500010 | 1 | MICRO SWITCH BOX SYSTEM | 5703887102 |
| 30 | 127500073 | 1 | O-RING 9.6X2.4 NITRIL 70 SH | 5703887104 |
| 31 | 127500071 | 4 | SCREW M6X70 DIN 912 4PCS | 5703887104 |
| 32 | 127500029 | 4 | WASHER | 5703887104 |
| 33 | 127130063 | 4 | SPRING WASHER M6 DIN 127B | 5703887105 |
| 34 | 127500072 | 1 | SCREW M8 | 5703887104 |
| 35 | 126486792 | 1 | FOAM SEAL FOR OUTLET INLET | 5701715398 |
| 36 | 1402809 | 1 | QUICK COUPLING MALE | 5701715008 |
| 37 | 127500076 | 1 | X-TRA PLUG ON OUTLET | 5703887104 |
| 38 | 127500075 | 1 | X-TRA HOSE | 5703887104 |
| 3A | 7180924 | 1 | STUD 145 MM | 5701715278 |

Default accessories

P130.1, P150.1, P150.1 B

07-06-2011

Part List ID P13008

33

No Drawing For Part List

Default accessories

P130.1, P150.1, P150.1 B

07-06-2011

Part List ID
P13008

34

| Pos | Part no. | Qty | Description | | EAN |
|-----|-----------|-----|----------------------------------|----------------|------------|
| 1 | | 1 | HOSE STEEL ARMoured 10M | | 5701715334 |
| 1 | 126481143 | 1 | HOSE 10M X-TRA MODELS | X-TRA | 5703887102 |
| 1 | 128500031 | 1 | G5 GUN HANDLE BLUE SP | G5 Handle 2010 | 5703887108 |
| 1 | 6411172 | 1 | POWERSPEED PRO RED | | 5701715268 |
| 1 | 6411187 | 1 | TORNADO NOZZLE COMPL. BRONZE | | 5701715268 |
| 1 | 6520844 | 1 | CLEANING TOOL BLACK | | 5701715215 |
| 1 | 6526027 | 1 | NOZZLE TUBE WITH O-RING | | 5701715124 |
| 1 | 6526203 | 1 | SPRAY HANDLE COMPLETE PRO | | 5701715268 |
| 1 | 6526376 | 1 | HOSE COMPL. 15M PRO | | 5701715268 |
| 1 | 6528611 | 1 | HOSE COMPL. STEELARM DN6X15M | X-TRA | 5701715337 |
| 1 | 6528612 | 1 | HOSE COMPL. STEELARMED DN6X15M | Special | 5701715348 |
| 1 | 6528613 | 1 | HOSE SINGLE WIRE 15M 3/8- QC DN6 | ERGO | 5701715348 |