

# NEPTUNE E

---

Model:  
NEPTUNE E 12  
NEPTUNE E 24



Part List US-English

10-02-2015

**Nilfisk**  
**ALTO**  
works for you

[www.nilfisk-alto.com](http://www.nilfisk-alto.com)

# Table of Contents

NEPTUNE E

<b>Cabinet</b>	<b>3</b>
<b>Frame</b>	<b>5</b>
<b>Detergent tank</b>	<b>7</b>
<b>Water inlet</b>	<b>9</b>
<b>Motor</b>	<b>11</b>
<b>Pump</b>	<b>13</b>
<b>Pump, kits</b>	<b>16</b>
<b>Control safety block (A)</b>	<b>18</b>
<b>Control safety block (B)</b>	<b>20</b>
<b>Electric box (motor)</b>	<b>22</b>
<b>Electric box (A)</b>	<b>24</b>
<b>Electric box (B)</b>	<b>26</b>
<b>Cover electric box</b>	<b>28</b>
<b>Contacto box</b>	<b>30</b>
<b>Mixing valve</b>	<b>32</b>
<b>Heating tank</b>	<b>34</b>
<b>Basket</b>	<b>36</b>
<b>Hose reel - X-models</b>	<b>38</b>
<b>Default accessoires</b>	<b>40</b>
<b>Remote control - accessory</b>	<b>42</b>
<b>Recommended spare parts</b>	<b>44</b>

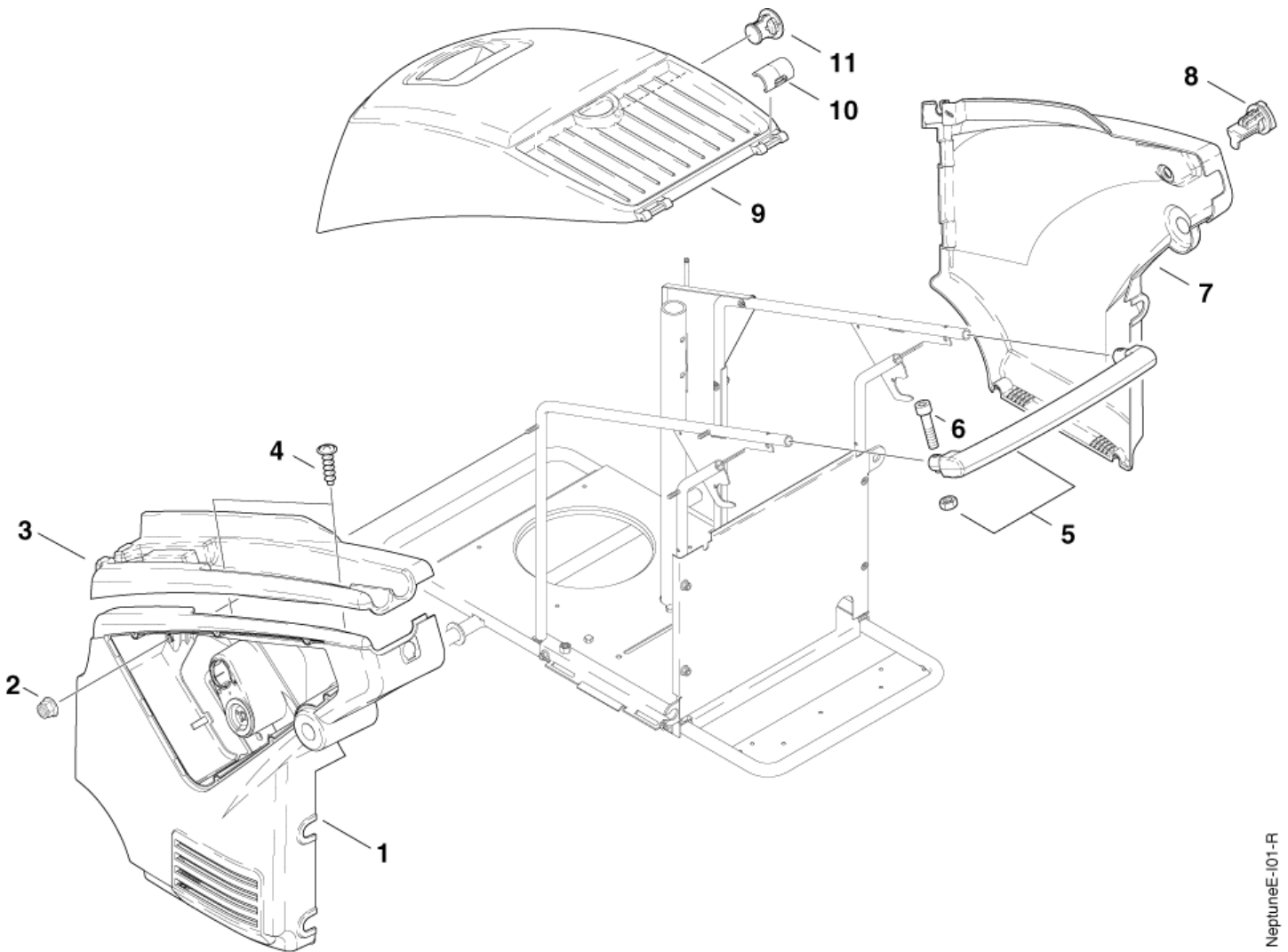
# Cabinet

NEPTUNE E

10-02-2015

Part List ID  
NEPTUNEE01

3



# Cabinet

## NEPTUNE E

10-02-2015

Part List ID  
NEP1UNE01

4

Pos	Part no.	Qty	Description
1	301002003	1	SIDE CABINET - LEFT
2	12496	3	HEXAGON NUT M6
3	301000454	1	LANCE HOLDER
4	1814614	2	PT-SCREW K50X16 T20 WN1451 - A2
5	301000447	1	HANDLE PREASSEMBLY
6	5945	2	SCREW M6X30
7	301000456	1	SIDE CABINET - RIGHT
8	301000585	1	DOOR LOCK Ø29X28
9	301002351	1	SHROUD NEPTUNE E BLUE
10	301000457	2	CABINET CLIP
11	301000584	1	LOCKING BOLT D29X28

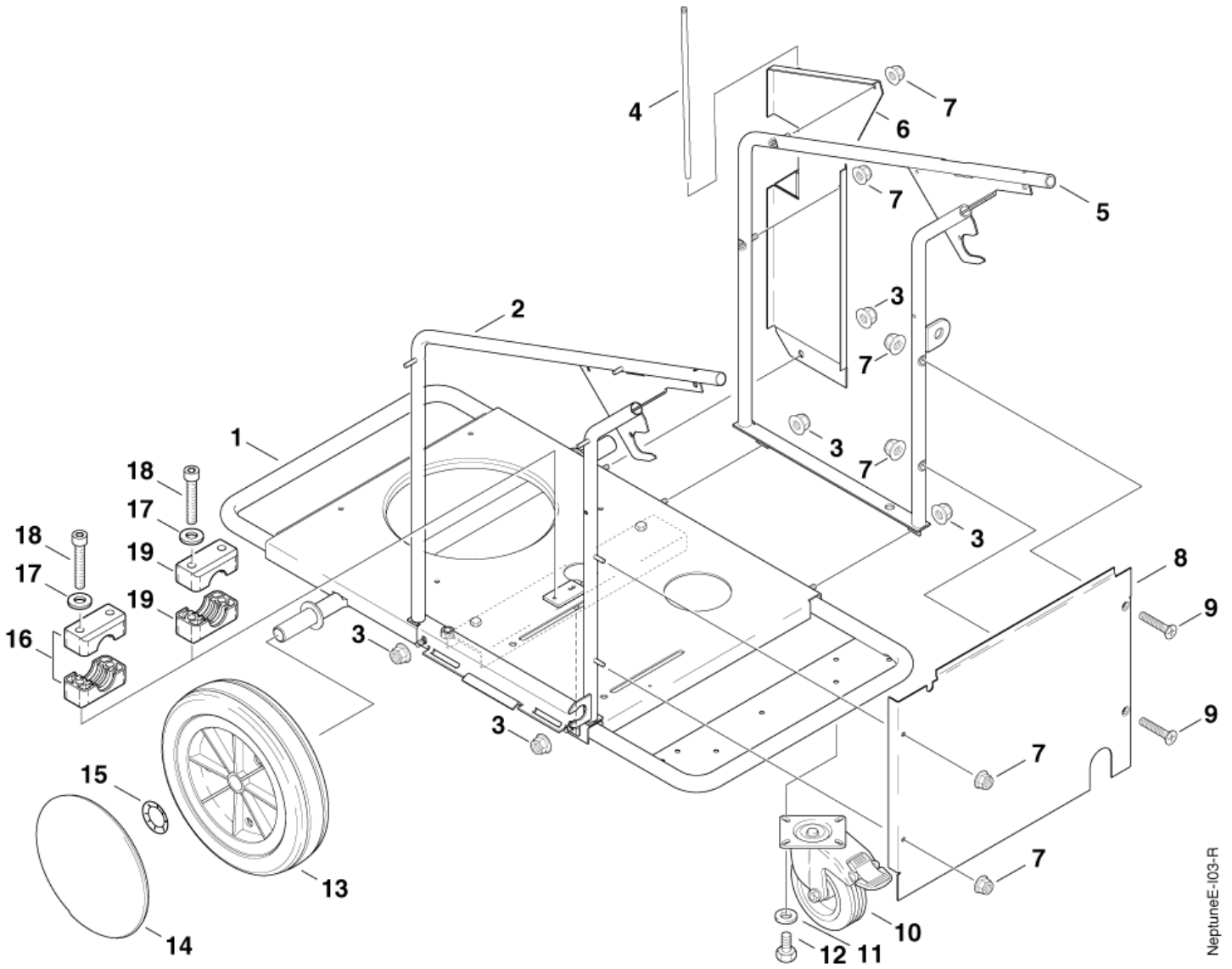
# Frame

NEPTUNE E

10-02-2015

Part List ID  
NEPTUNEE03

5



NeptuneE-103-R

# Frame

## NEPTUNE E

10-02-2015

Part List ID  
NEPTUNE03

6

Pos	Part no.	Qty	Description
1	301000510	1	BASE FRAME NEPTUNE 5 7
2	301000557	1	TUBE FRAME - LEFT 800X650X67.5 ST
3	61467	5	HEXAGON NUT M8
4	301000706	1	BOLT D8X310
5	301000519	1	TUBE FRAME RIGHT
6	301000521	1	HINGE PLATE
7	12496	6	HEXAGON NUT M6
8	301002150	1	REAR WALL 487X364.7X20
9	8947	2	COUNTERSUNK SCREW
10	301000554	2	CASTOR D125 WITH BRAKE
11	2762	8	WASHER 8.4X1.6
12	5370	8	SCREW M8X10
13	6184074	2	WHEEL 300
14	301001077	2	WHEEL CAP D234
15	46363	2	CLAMPING RING D25
16	909100368	1	CLAMP D25 *US*
17	2764	2	WASHER 6.4X1.6
18	9570	2	SCREW M6X40
19	60532	2	HOLDER - HALF. Ø 20 *EU*

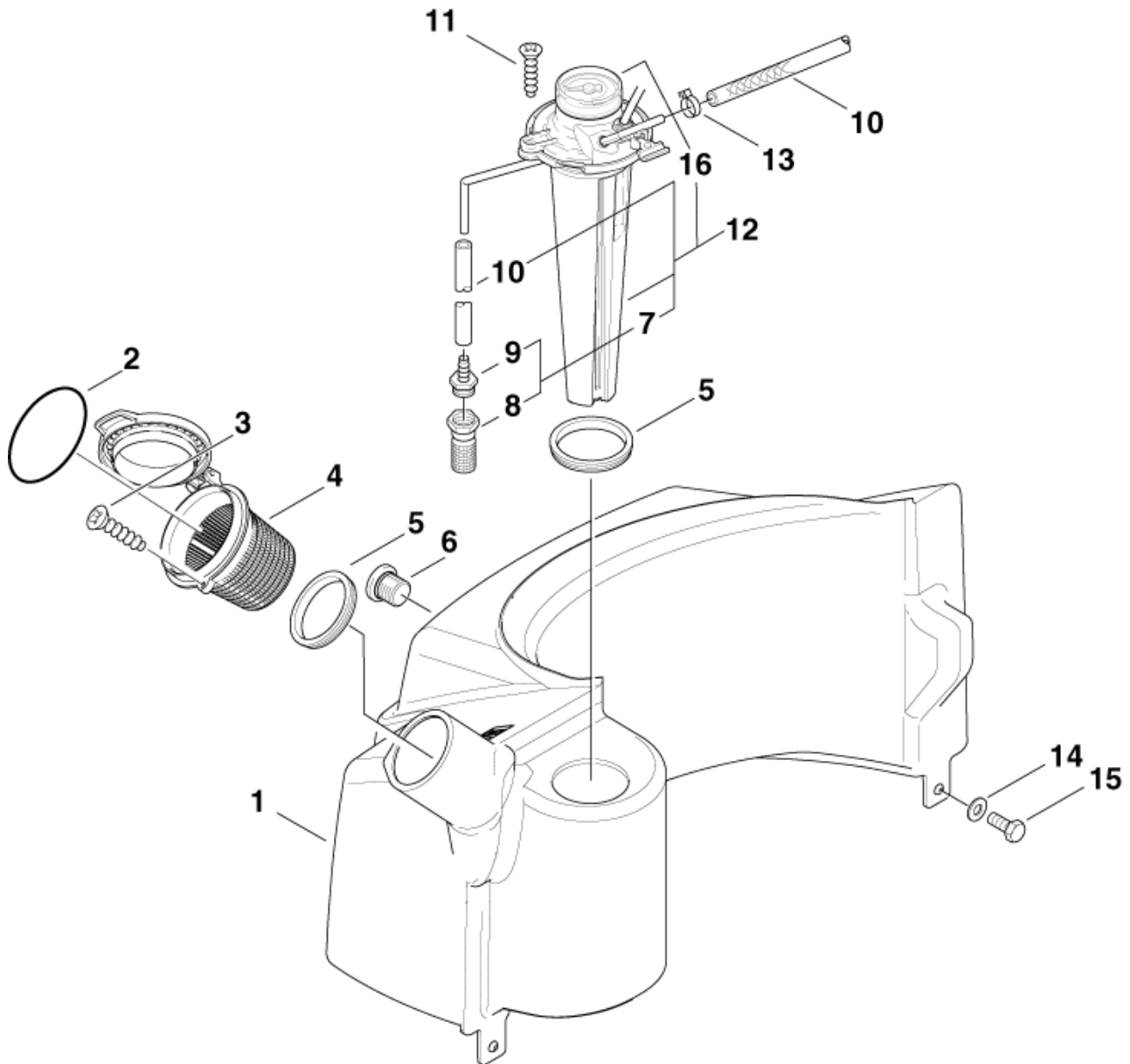
# Detergent tank

NEPTUNE E

10-02-2015

Part List ID  
NEPTUNE02

7



# Detergent tank

## NEPTUNE E

10-02-2015

Part List ID  
NEPTUNE E02

8

Pos	Part no.	Qty	Description
1	301002119	1	TANK DETERGENT NEPTUNE E
2	909100173	1	O-RING 56.0X5.0 NBR70
3	18086	2	SCREW 2.9X13
4	301001292	1	FILTER -CUP D98.8
5	301000620	2	GASKET D79.6XD66X10 TSB-PPW-2013-001 301000620, 301001276
6	6180906	1	PLUG WITH O-RING
7	107145440	1	STRAINER VALVE COMPL. KIT
8	3205	1	STRAINER VALVE 3/8
9	5283	1	HOSE NOZZLE 6R3/8
10	101406100	1	HOSE DN 6X3 5M
11	5606	1	SCREW 2.9X19
12	301002116	1	FUEL GAUGE
13	11654	1	HOSE CLAMP Ø11.5
14	2766	2	WASHER 6.4X1.6
15	8917	2	SCREW M6X12
16	301000634	1	COVER Ø50.7X17.3 PC



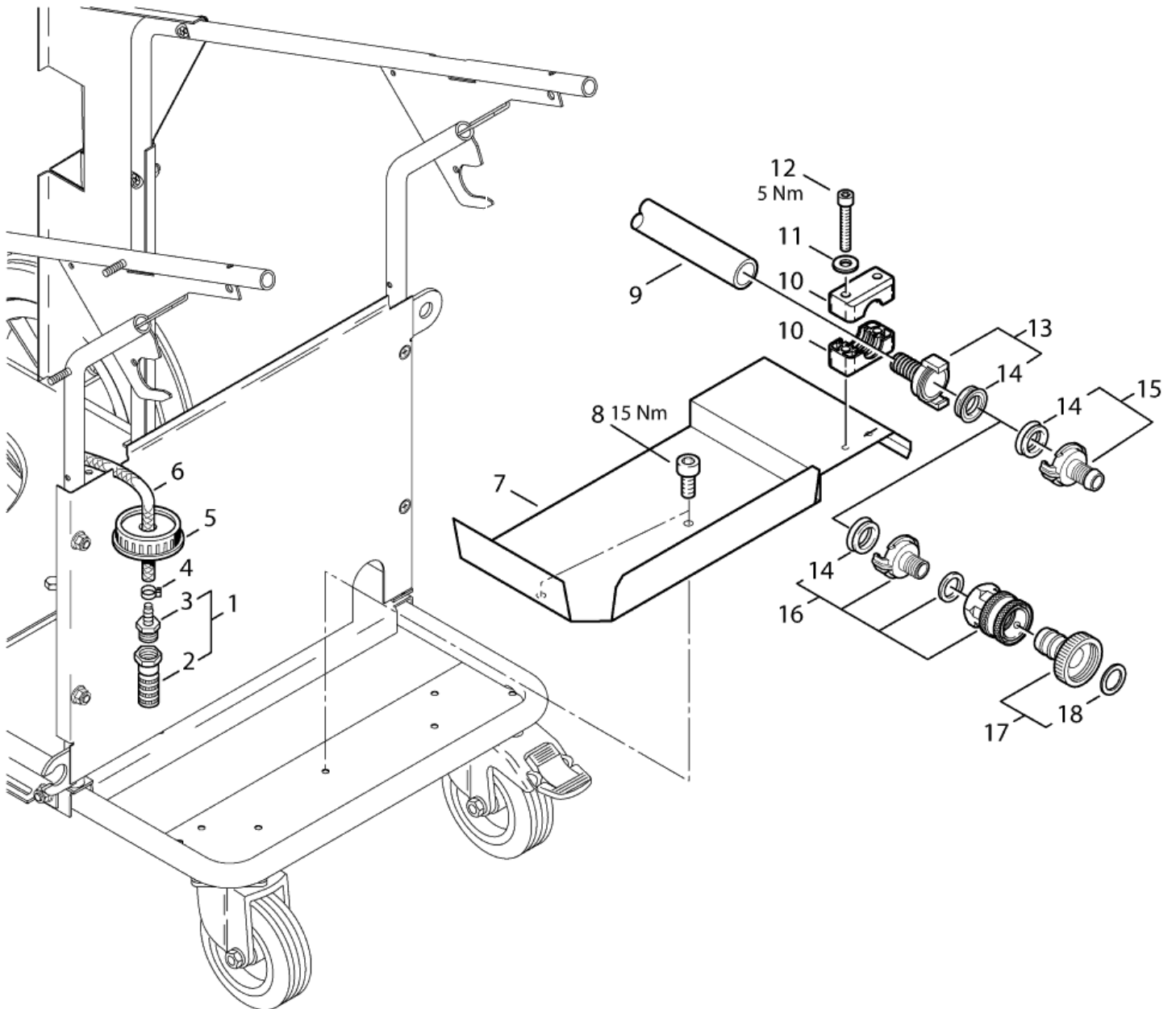
# Water inlet

NEPTUNE E

10-02-2015

Part List ID  
NEPTUNEE04

9



# Water inlet

## NEPTUNE E

10-02-2015

Part List ID  
NEP1UNE04

10

Pos	Part no.	Qty	Description
1	107145440	1	STRAINER VALVE COMPL. KIT
2	3205	1	STRAINER VALVE 3/8
3	5283	1	HOSE NOZZLE 6R3/8
4	11654	1	HOSE CLAMP Ø11.5
5	107140889	1	CLOSING CAP WITH D10 HOLE
5	301001004	1	CLOSING CAP W.D 13 HOLE D65X22 Empty container 10L part no. 80518
6	101406100	1	HOSE DN 6X3 5M
7	301002090	1	CONSOLE 469X200.5X 65.5
8	8892	2	HEXAGON SCREW M8X16 A2 ISO 4762
9	8050	1	HOSE Ø 13 PER METRE * SEE NOTE
10	60532	2	HOLDER - HALF. Ø 20
11	2764	2	WASHER 6.4X1.6
12	9570	2	SCREW M6X40
13	1716	1	GEKA HOSE COUPLING 1/2
14	6502	1	MOULDED GASKET GEKA COUPE
15	1311	1	GEKA COUPLING HOSE END 3/4 *EU*
16	64538	1	ADAPTOR GEKA/KEW COUPELER *US*
17	1605955	1	NIPPLE F. QUICK COUPLING L.P *US*
18	3001237	1	GASKET Ø24.5XØ16X3 NITRIL 80SH *US*
19	101117749	1	CABLE GROMMET

\* NOTE: PLEASE INDICATE LENGTHS IN METRES WHEN ORDERING

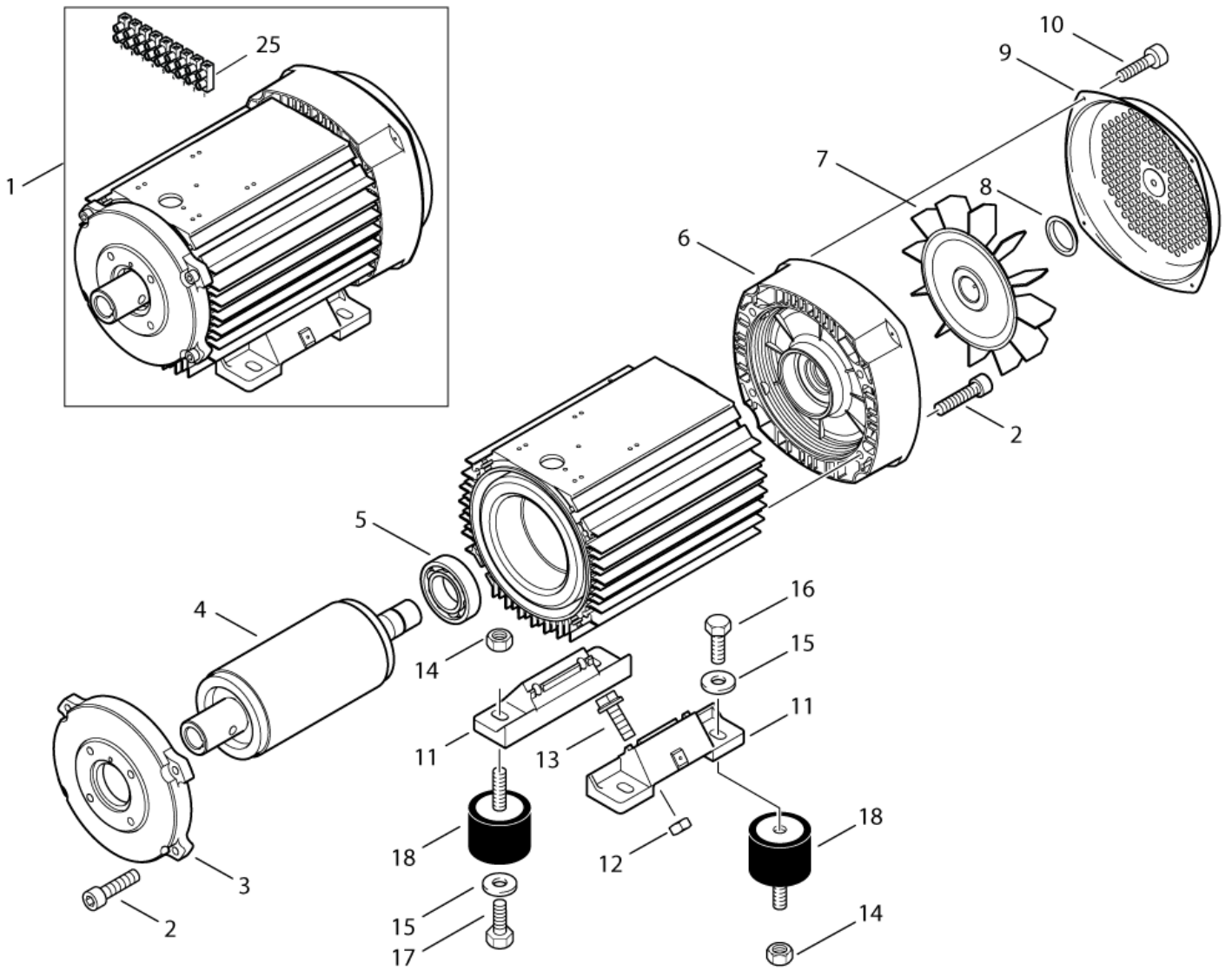
# Motor

NEPTUNE E

10-02-2015

Part List ID  
NEPTUNEE10

11



# Motor

## NEPTUNE E

10-02-2015

Part List ID  
NEPTUNE10

12

Pos	Part no.	Qty	Description
1	101118019	1	MOTOR 4.5KW 230/400 3 PHASE 460/3/60 also
2	6863	8	SCREW M8X35
3	301001119	1	MOTORFLANGE
4	301001122	1	ROTOR MOTOR 4.5KW
5	5905	1	ROLLER BEARING 6306-2Z-C3 120 DEGREES C
6	301001113	1	REAR BEARING COVER
7	301001117	1	IMPELLER
8	301001112	1	FASTENING RING
9	301001115	1	FAN HOUSING
10	8822	4	TREAD-CUTTING SCREW 3.5X9.5 C-H ISO 7049
11	301001126	2	MOTOR FOOT H45MM
12	1800515	4	Lock Nut M8 - 8 A2K DIN 985
13	27372	4	HEX. SCREW VERBUS M8X20 DIN 6921
14	61467	4	HEXAGON NUT M8
15	2793	8	WASHER 8.4X2
16	2750	2	HEX. SCREW M8X25 ISO 4017 ZN
17	8919	2	SCREW M8X12
18	49924	4	ANTI VIBRATION DAMPER 30X20
25	101117839	1	TERMINAL PLUG AND TERMINAL PINS

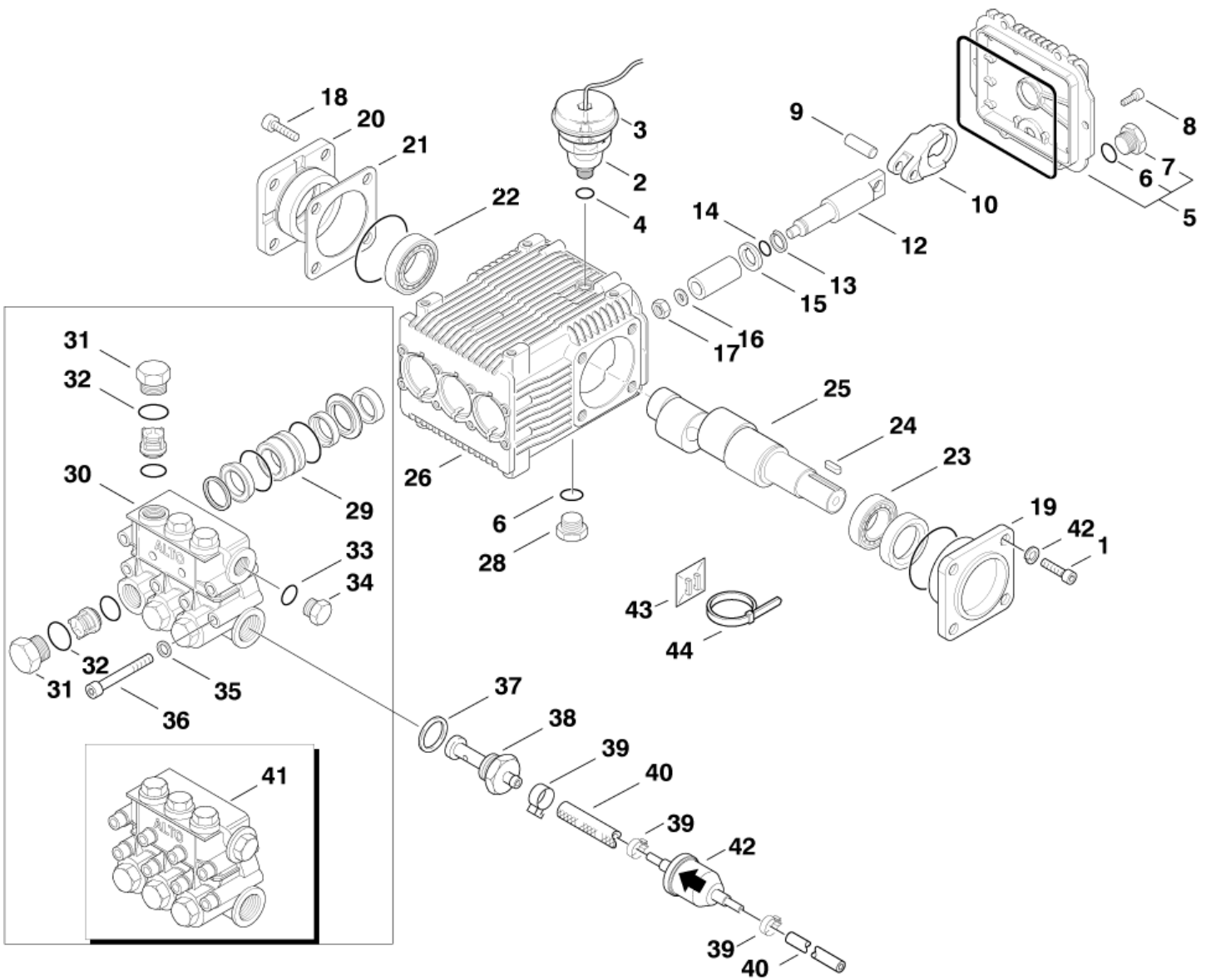
# Pump

NEPTUNE E

10-02-2015

Part List ID  
NEPTUNE08

13



# Pump NEPTUNE E

10-02-2015

Part List ID  
NEPTUNE08

14

Pos	Part no.	Qty	Description	
-	301002081	1	PUMP N.HW 12.15 N 12L/MIN 150BAR ALTO	*EU*
-	301002082	1	PUMP N.HW 32G22N 12L/MIN 150BAR ALTO	*US*
1	6863	4	SCREW M8X35	
2	301000614	1	PUMP OIL CONTAINER Ø66.8X84	
3	301000615	1	COVER Ø70X15.5	
4	56554	1	O-RING 14.0x1.78 ARP AS 568 A NBR70	
5	301001158	1	COVER	
6	56554	2	O-RING 14.0x1.78 ARP AS 568 A NBR70	
7	301001135	1	PLUG G3/8	
8	909100158	6	SCREW CYLINDERHEAD M6x14 ISO4762 ZN	
9	301001138	3	BOLT	
10	301001168	3	CONNECTING ROD CuSn	
12	301001156	3	PISTON ROD 109MM	
13	301002372	3	SUPPORTING RING	
14	3004236	3	O-RING 4.48x1.78 ARP AS 568 A NBR70	
15	301002138	3	DISTANCE SPACER	
16	909100178	3	PACKING RING Ø8X13X0.5 7603 A CU	
17	909100177	3	HEXAGON NUT M8/SW13X5	
18	2788	4	CYLINDER SCREW M8X16 ISO 4762 ST 8.8/ZN	
19	301001167	1	BEARING LID 80X80X8 OPE	
20	301001166	1	BEARING LID 80X80X8 CLO	
21	301001140	1	ADJUSTING WASHER 80x80x0.05	
21	301001141	1	ADJUSTING WASHER 80x80x0.10	
21	301001142	1	ADJUSTING WASHER 80X80X0.20	
21	301001143	1	ADJUSTING WASHER 80X80X0.25	
22	301002378	1	ROLLER BEARING	
23	301002379	1	ROLLER BEARING	
24	19639	1	PARALLEL KEY 8X7X25 A DIN 6885 St	
25	301001161	1	CRANKSHAFT NO.6	*US*
25	301002139	1	CRANKSHAFT NO.10	*EU*
26	301001157	1	HOUSING	
28	301001135	1	PLUG G3/8	
29	301002136	3	THRUST COLLAR Ø 18	
30	301001172	1	VALVE BLOCK	
31	301001137	6	PLUG M22 SW24X21	
32	103004342	6	O-RING 17.86X2.62 NBR70	
33	1409	1	PACKING RING Ø17X23 DIN7603 A CU	
34	301001134	1	PLUG G3/8	
35	909100168	8	SAFETY WASHER Ø8	
36	1814597	8	CYLINDER SCREW M8X70 DIN 912-8.8 ZN	
37	5127	1	PACKING RING D21X26 DIN7603 A CU	
38	62964	1	HOLLOW SCREW G1/2	
39	11654	3	HOSE CLAMP Ø11.5	

\* NOTE: PLEASE INDICATE LENGTHS IN METRES WHEN ORDERING

# Pump

## NEPTUNE E

10-02-2015

Part List ID  
NEPTUNE08

15

Pos	Part no.	Qty	Description	
40	101406100	1	HOSE DN 6X3 5M	* SEE NOTE
41	301002140	1	VALVE BLOCK COMPL. Ø18MM	
42	301002926	1	INLINE FILTER 101X36.5X6 KU	I 01.10.2006 =>
43	2423	1	ADHESIVE CLIP	I 01.10.2006 =>
44	15884	1	CABLE STRAP 4.7X1.3x350 T50L PA	I 01.10.2006 =>

\* NOTE: PLEASE INDICATE LENGTHS IN METRES WHEN ORDERING

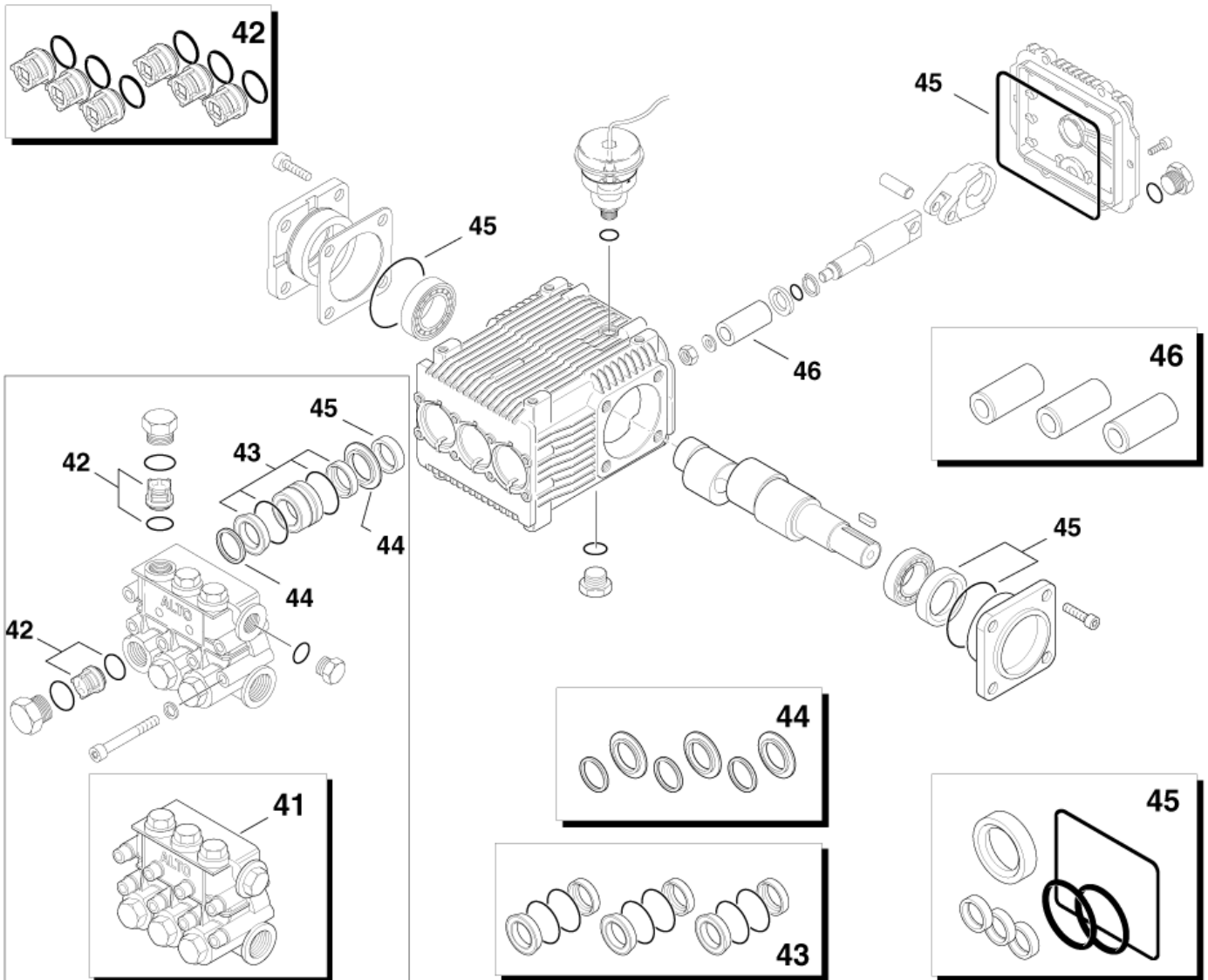
# Pump, kits

NEPTUNE E

10-02-2015

Part List ID  
NEPTUNEE09

16





# Pump, kits

## NEPTUNE E

10-02-2015

Part List ID  
NEPTUNE09

17

Pos	Part no.	Qty	Description
41	301002140	1	VALVE BLOCK COMPL. Ø18MM
42	301002373	1	KIT VALVE 6X N.HW
43	301002376	1	KIT PISTON SEALING
44	301002377	1	KIT SUPPORT RING
45	301002375	1	KIT OIL SEALING N.HW
46	31000466	1	PISTON KIT Ø18

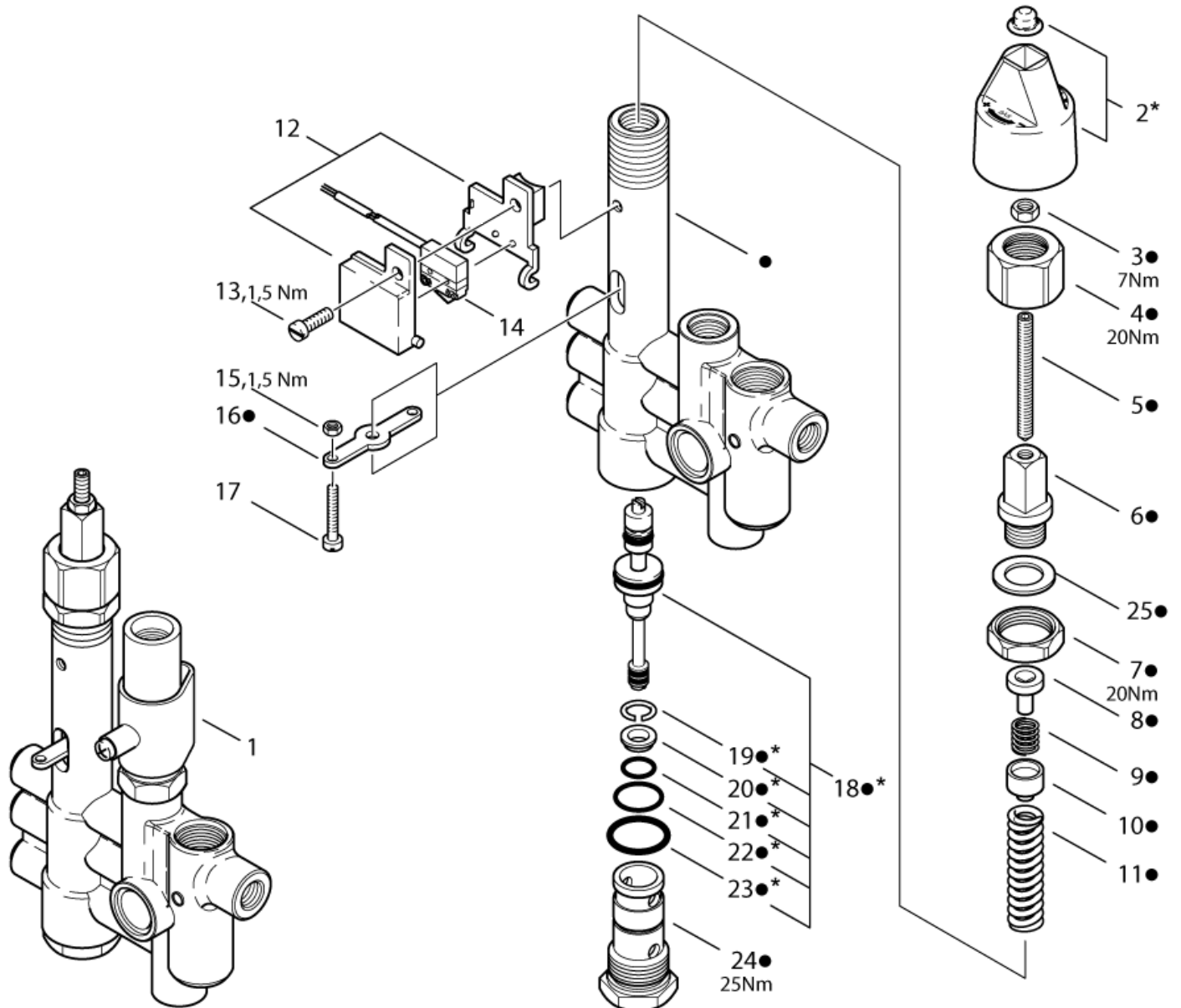
# Control safety block (A)

NEPTUNE E

10-02-2015

Part List ID  
NEPTUNEE06

18



# Control safety block (A)

NEPTUNE E

10-02-2015

Part List ID  
NEP1UNE06

19

Pos	Part no.	Qty	Description	
-	63056	1	REPAIR KIT DISCHARGER VALVE	consisting of: *
1	107141790	1	UNLOADER VALVE NEPTUNE 3-7	includes o
2	62397	1	ROTARY KNOB	*
3	3136	1	HEXAGON NUT M6	o
4	62710	1	UNION NUT M24X1.5X21	o
5	62711	1	HEADLESS SCREW M6X60 DIN 914 ST/ZN	o
6	62712	1	HOLLOW SCREW M16X1X9 4KT SW12X40 ZN	o
7	62696	1	HEXAGON NUT M24X1.5X6	o
8	62695	1	SPRING SUPPORT	o
9	62713	1	SPRING	o
10	62694	1	SPRING SUPPORT	o
11	40972	1	SPRING 3.5X10.5X54	o
12	62401	1	HOUSING FOR MICRO SWITCH	
13	3349	1	SCREW M5X16	
14	301000731	1	MICRO SWITCH 250V	
15	2759	1	HEXAGON NUT M4	
16	62717	1	CONTACT STUD	o
17	5076	1	SCREW M4X25	
18	64314	1	REPAIR KIT	o*
19	909100001	1	RING Ø14 B DIN 7993	o*
20	62708	1	VALVE SEAT Ø8.5/Ø11.4/Ø13.9x4	o*
21	49461	1	O-RING 11.0x1.5 NBR90	o*
22	9523	1	O-RING 17.0x1.5 NBR70	o*
23	32091	1	O-RING 21.0x2.0 DIN 3770 NBR70	o*
24	64301	1	HOLLOW SCREW M24X1.5 Ø20 SW27 ZN	o
25	103004451	1	VULCAN FIBRE WASHER Ø16X20X1.5 DIN 7737	o

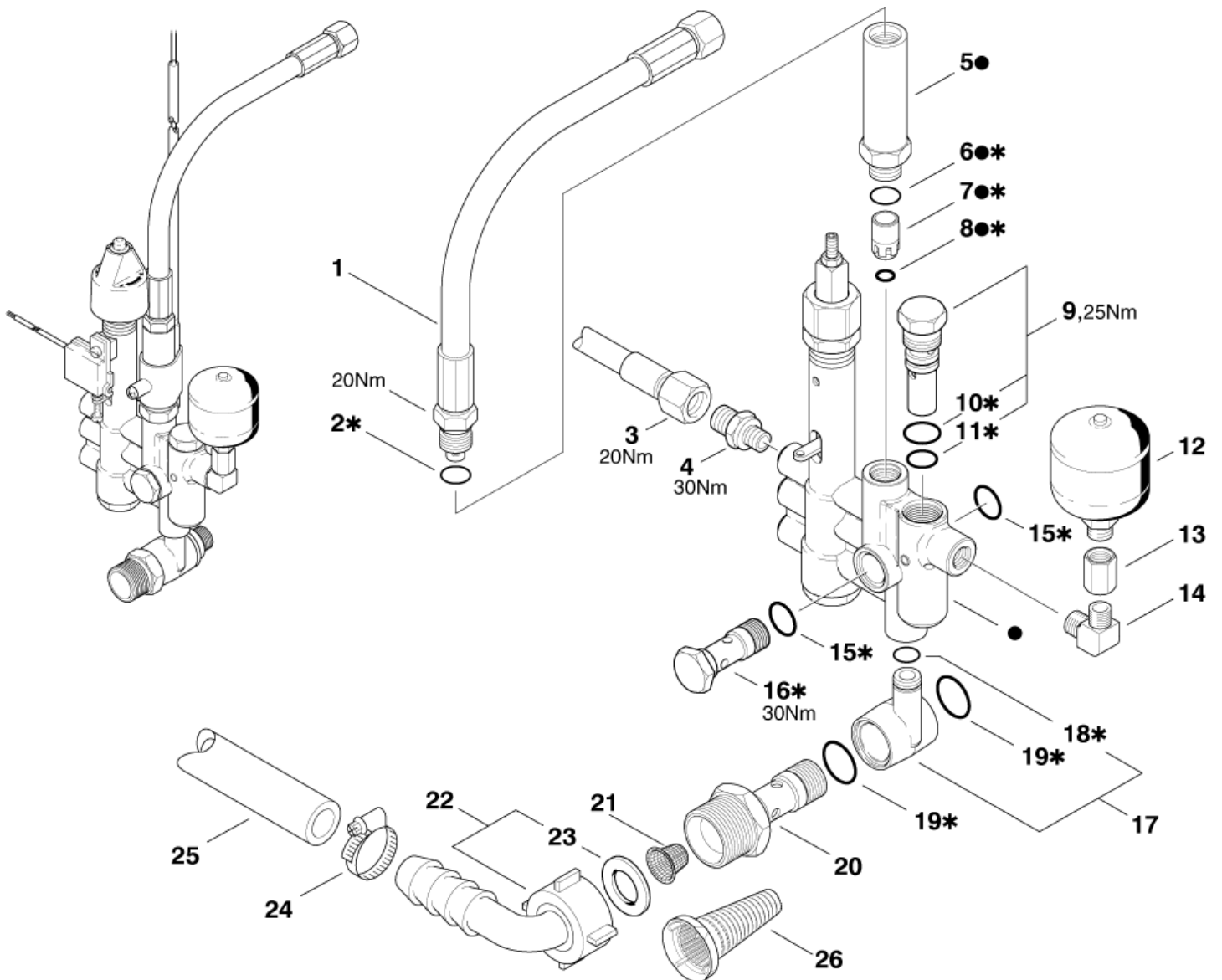
# Control safety block (B)

NEPTUNE E

10-02-2015

Part List ID  
NEPTUNEE07

20



# Control safety block (B)

NEPTUNE E

10-02-2015

Part List ID  
NEP1UNE07

21

Pos	Part no.	Qty	Description	
-	107141790	1	UNLOADER VALVE NEPTUNE 3-7	includes o
-	63056	1	REPAIR KIT DISCHARGER VALVE	consisting of: *
1	301000854	1	HP-HOSE 8X610	
2	62706	1	O-RING 13.0x2.0 DIN 3770 NBR70	*
3	60141	1	HOSE D2X800 400BAR M12X1.5/G1	
4	1230	1	FITTING XGE6LR1/4	
5	62722	1	FITTING Ø22X86 M16X1 G3/8 RSB-DX CuZn	o
6	16998	1	O-RING 14.0x1.5 NBR70	o*
7	301000905	1	PISTON D14.6X25.5	o*
8	56519	1	O-RING 6.5x3.0 SMS 1586 NBR90	o*
9	62729	1	SAFETY VALVE 250BAR	
10	16443	1	O-RING 17.0x2.0 DIN 3770 NBR70	*
11	62706	1	O-RING 13.0x2.0 DIN 3770 NBR70	*
12	63090	1	PRESSURE ACCUMULATOR 250 BAR	
13	63136	1	MUFFE M16X1.5 SW 19X24	
14	1618	1	UNION PIECE R1/4 INCH DIN 2353 ST/ZN	
15	16443	2	O-RING 17.0x2.0 DIN 3770 NBR70	*
16	62697	1	HOLLOW SCREW M7X36/51 G3/8 SW22 ZN	*
17	63058	1	CONNECTION	
18	13739	1	O-RING 10X2 DIN 3770 NBR70	*
19	24347	2	O-RING 21.0x2.5 DIN 3770 FPM80	*
20	301001297	1	HOLLOW SCREW G1/2-G3/4X72 SW30 PA	
21	101117926	1	FILTER	=> 01.11.2006 I
22	5613	1	HOSE NOZZLE Ø16 90 DEGREE 3/4 INCH KU	
23	15587	1	PACKING RING 14X24X2 RUBBER	
24	8298	1	HOSE CLIP 16-27	
25	4169	1	HOSE Ø13	* SEE NOTE
26	101117926	1	FILTER	I 01.11.2006 =>

\* NOTE: PLEASE INDICATE LENGTHS IN METRES WHEN ORDERING

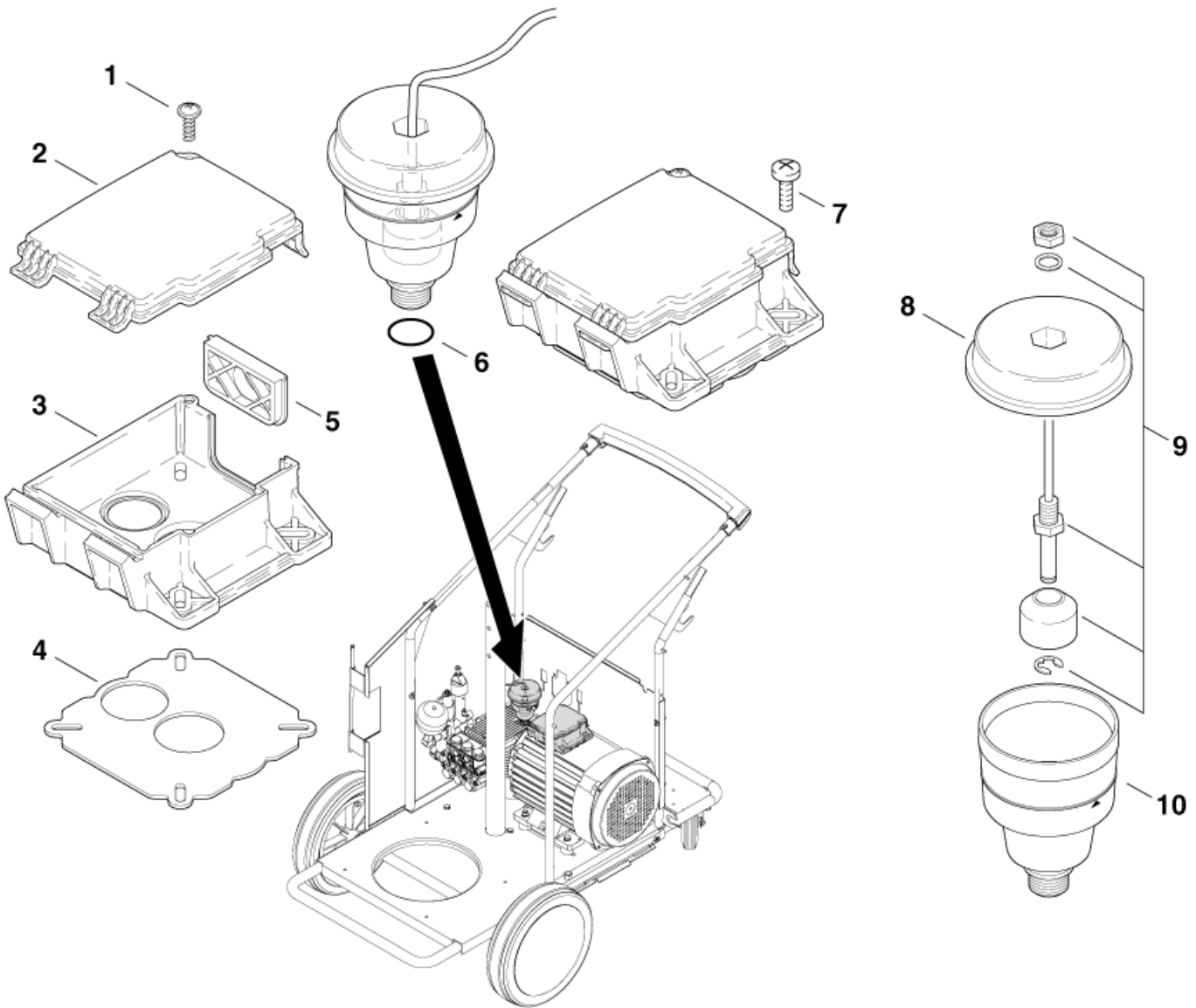
# Electric box (motor)

NEPTUNE E

10-02-2015

Part List ID  
NEPTUNE05

22



# Electric box (motor)

NEPTUNE E

10-02-2015

Part List ID  
NEPTUNE05

23

Pos	Part no.	Qty	Description
1	10028	1	SCREW KA50X14 WN1411
2	301000782	1	COVER ELEC.BOX 128.2X112.
3	301000781	1	ELECTRIC BOX
4	301000845	1	GASKET FOR ELECTRIC BOX 100.50X114X1MM N
5	17106	1	INSET
6	56554	1	O-RING 14.0x1.78 ARP AS 568 A NBR70
7	32535	4	SCREW M5X16
8	301000615	1	COVER Ø70X15.5
9	301001196	1	FLOAT SWITCH LS01 W/PUR WIRE 10VA
10	301000614	1	PUMP OIL CONTAINER Ø66.8X84

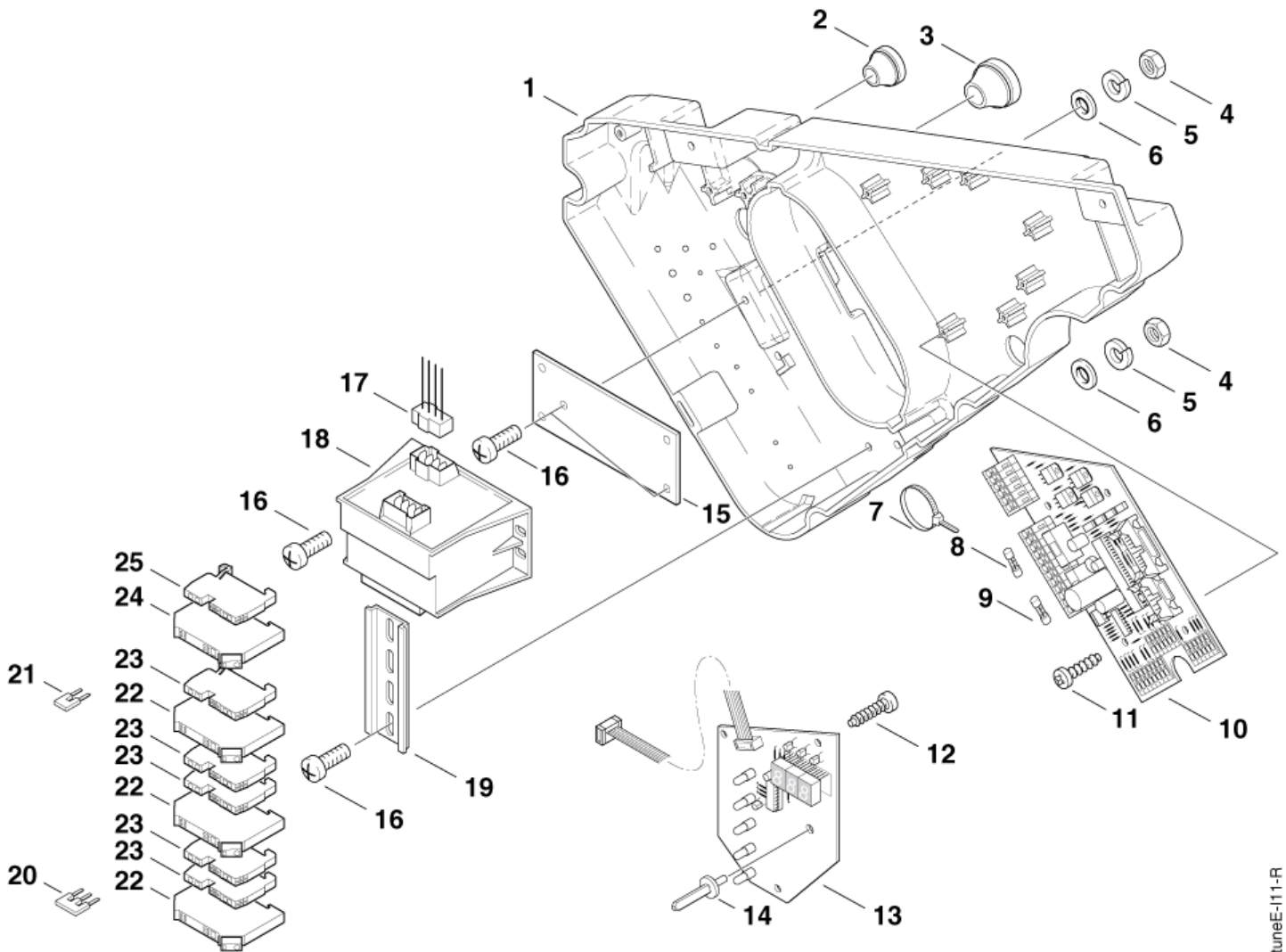
# Electric box (A)

NEPTUNE E

10-02-2015

Part List ID  
NEPTUNEE11

24





# Electric box (A)

NEPTUNE E

10-02-2015

Part List ID  
NEP1UNE11

25

Pos	Part no.	Qty	Description	
1	301000679	1	ASSEMBLY PLATE	
2	3803780	4	GROMMET 10-14C	
3	301002155	1	GROMMET 20-26C	24kW
3	3803772	1	CABLE GROMMET TET 7-10C	12kW
4	2760	4	NUT M5 ISO 4032 ZN	
5	1813773	4	SERRATED LOCK WASHER	
6	2763	4	WASHER 5.3X1	
7	15147	1	CABLE STRAP 3.5X1.3X175	
8	103821729	1	FUSE 5X20 2A T 250V	
9	24499	1	FINE-WIRE FUSE	
10	301002108	1	MAIN CIRCUIT BOARD	
11	1805175	4	SCREW 3X12	
12	11254	3	SCREW 3.5X10 WN1411	
13	301002103	1	DISPLAY CIRCUIT BOARD	
14	301000636	1	AXLE 15X43.5 PP	
16	15146	5	RAISED DOME HEAD SCREW M5X12 H DIN 7985	
17	301000722	1	WIRE H07V-K 4-POL. AEH US	
18	301002112	1	TRANSFORMER 400V/460V 24V/8V 52VA	
19	22290	1	MOU. RAIL TS35/F6 7.5 18X5.2 EN60715 ZN	* SEE NOTE
20	301002167	4	JUMPER	24kW
21	301002166	2	JUMPER	
22	301002161	3	WIRE TERMINAL 2X16MM	
23	301002162	3	WIRE TERMINAL 2X2.5MM	
24	301002163	1	WIRE TERMINAL EARTH 2X1	
25	301002164	1	WIRE TERMINAL EARTH 2X2	

\* NOTE: PLEASE INDICATE LENGTHS IN METRES WHEN ORDERING

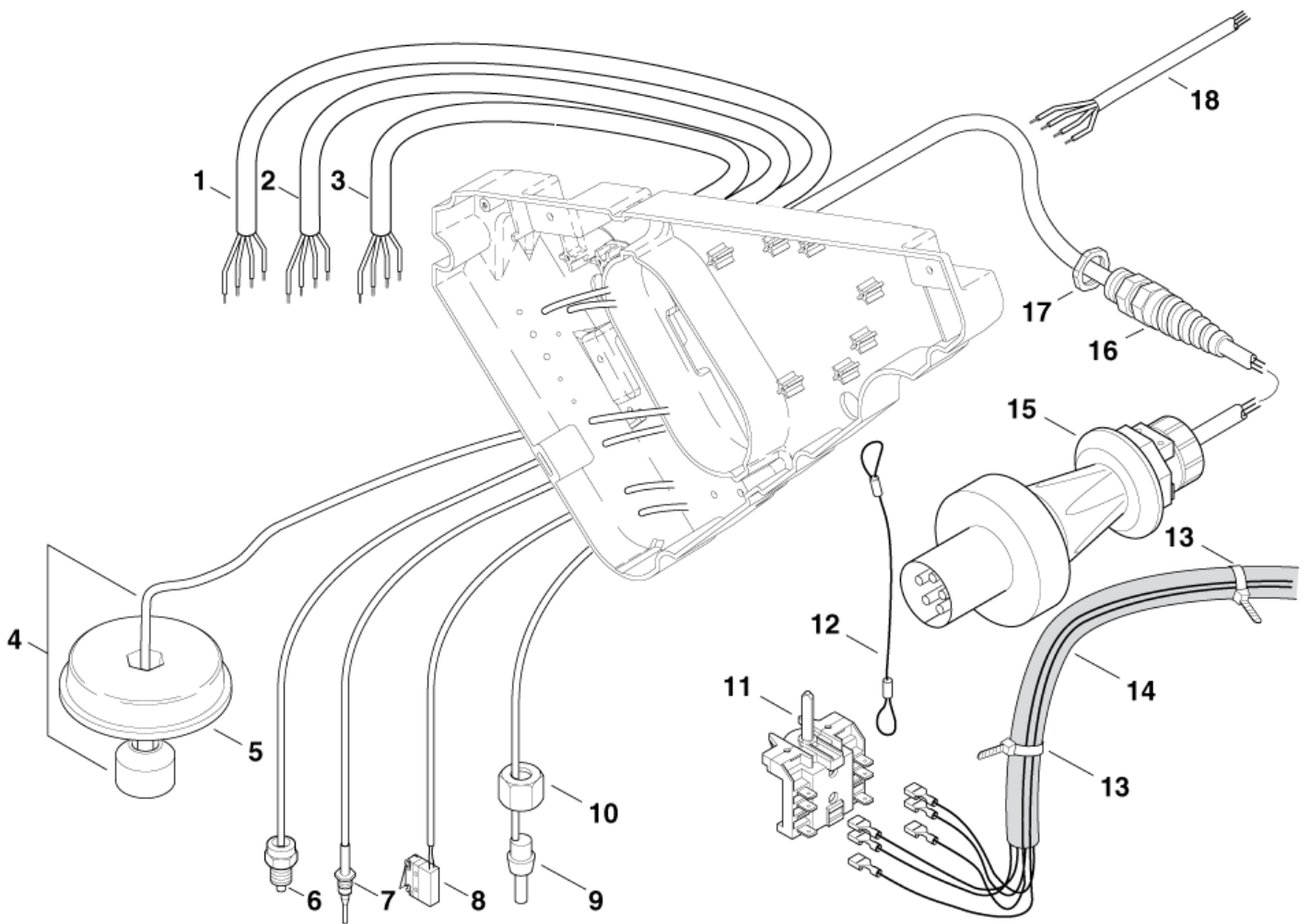
# Electric box (B)

NEPTUNE E

10-02-2015

Part List ID  
NEPTUNEE12

26



# Electric box (B)

NEPTUNE E

10-02-2015

Part List ID  
NEP1UNE12

27

Pos	Part no.	Qty	Description	
1	301002171	1	CABLE PVC 8X0.75X1500	
2	301002169	1	CABLE PVC 4G2.5X1300	
3	301002170	1	CABLE PVC 4G1.5X1300	
4	301001196	1	FLOAT SWITCH LS01 W/PUR WIRE 10VA	
5	301000615	1	COVER Ø70X15.5	
6	301002110	1	TEMPERATURE LIMITER 85C	
7	301002111	1	TEMPERATURE SENSOR M10X1	
8	301000731	1	MICRO SWITCH 250V	
9	301000730	1	TEMPERATURE SENSOR W/PVC WIRE PT 100	
10	1081	1	UNION NUT L12 DIN 3870-A ST/ZN	
11	28877	1	SWITCH 10A 400V AC	
12	301001091	1	ROPE D1.2X365	
13	4059	5	CABLE STRAP 3.6X1.1X110	
14	301000719	1	CORD TRANSFORMER 230AT 4G	*EU* - 12 & 24 kW
14	301000720	1	CORD TO TRANSFORMER 400V	*US* - 24 kW
15	301002106	1	POWER CORD H07RN-F 4G4X6.0M CEE5 32A6H	*EU* - 12 kW
15	301002107	1	POWER CORD H07RN-F 4G10X6.0M CEE5 63A6H	*EU* - 24kW
16	909100198	1	SCREWED CABLE GLAND M25X1.5	*EU* - 12kW
17	909100020	1	HEXAGON THIN NUT M25X1.5 EN 50262 PA	*EU* - 12kW
18	301000091	1	POWER CORD SOW 4AWG8 X 6.5M	*US* - 24kW

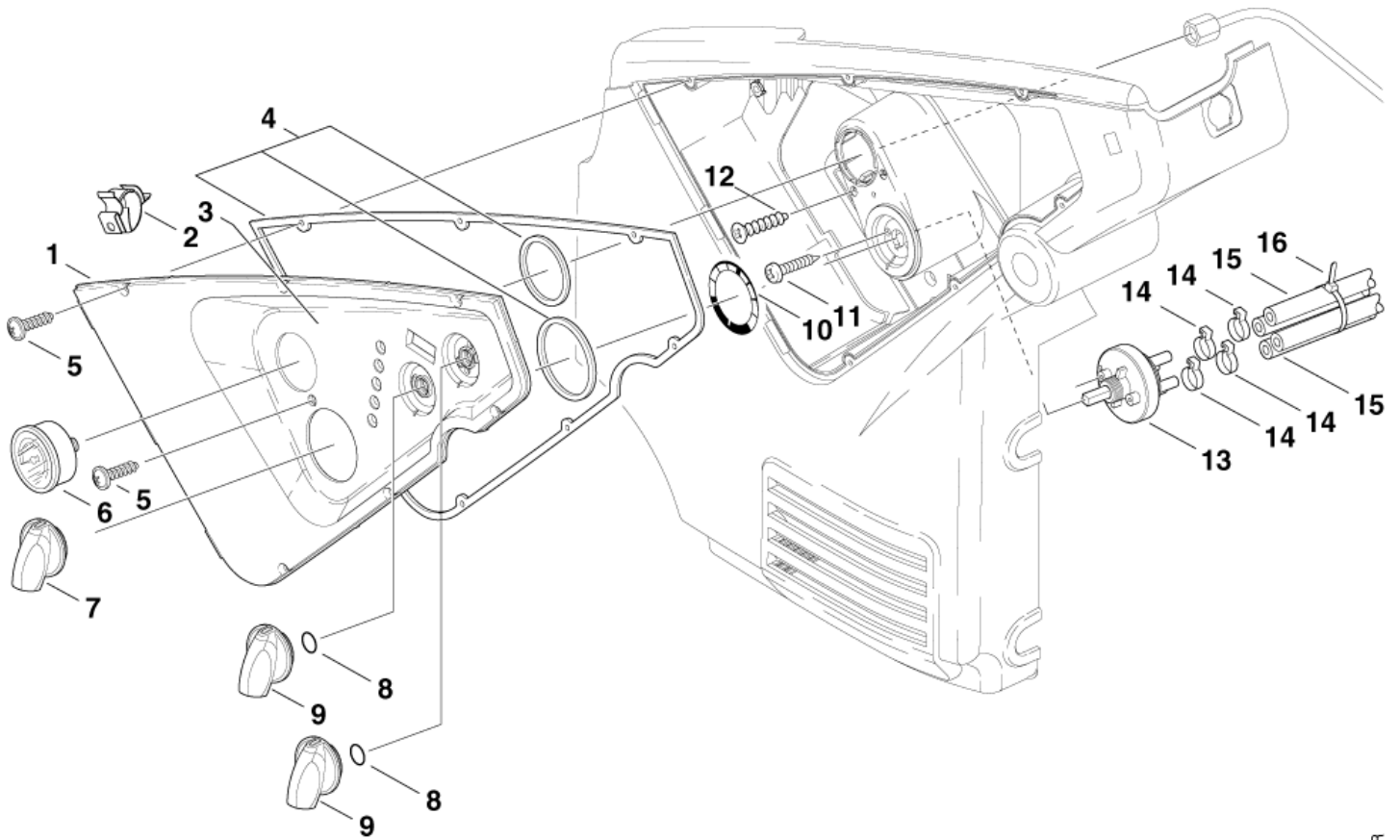
# Cover electric box

NEPTUNE E

10-02-2015

Part List ID  
NEPTUNEE13

28



# Cover electric box

## NEPTUNE E

10-02-2015

Part List ID  
NEPTUNE E13

29

Pos	Part no.	Qty	Description
1	301000446	1	COVER
2	301001075	1	WIRE HOLDER D22X38X16
3	301002352	1	LABEL CONTROL PANEL SCALES NEPTUNE E
4	301000970	1	KIT GASKET
5	1814614	6	PT-SCREW K50X16 T20 WN1451 - A2
6	49473	1	MANOMETER 0-315 BAR G1/4 NG50
7	909100207	1	ROTARY KNOB 6X6+8X8 PP
8	9868	2	O-RING 10.2X2.5 NBR 70
9	909100206	2	ROTARY KNOB D6X5 BLUE
10	301000786	1	LABEL
11	1814730	2	SCREW 35X10B W1423
12	11253	2	SCREW 5X20 WN1413
13	301001000	1	VALVE 51X70
14	11654	4	HOSE CLAMP Ø11.5
15	101406100	1	HOSE DN 6X3 5M
16	8819	1	CABLE STRAP 4.5X1X350

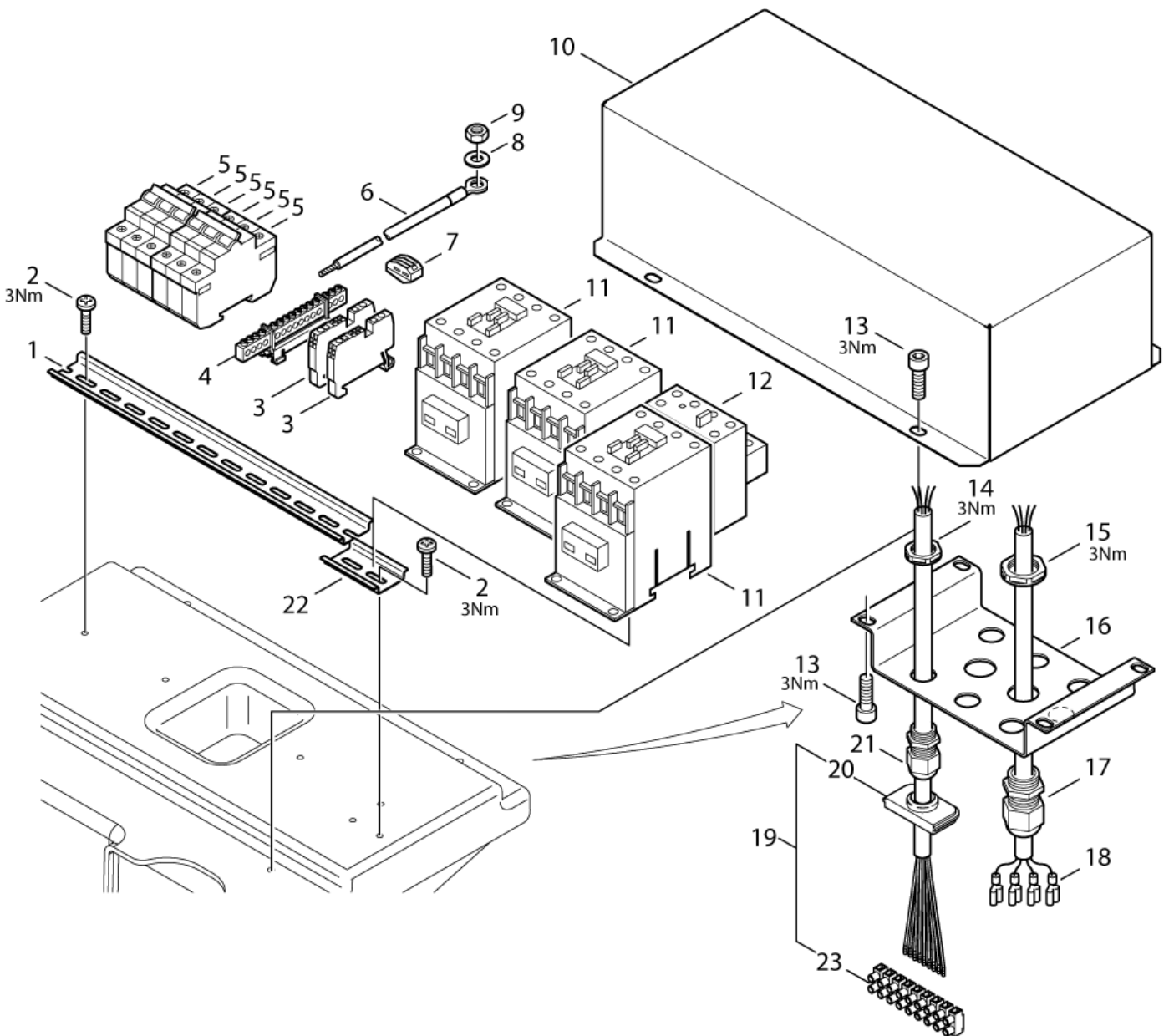
# Contactor box

NEPTUNE E

10-02-2015

Part List ID  
NEPTUNEE14

30



# Contactor box

## NEPTUNE E

10-02-2015

Part List ID  
NEPTUNE E14

31

Pos	Part no.	Qty	Description
1	301002091	1	MOUNTING RAIL TS35 300MM
2	1813781	5	SCREW M5X8
3	301002162	2	WIRE TERMINAL 2X2.5MM
4	301002180	1	BUS BAR PROTECTIVE WIRE 10QMM 12-FACH
5	22274	3	OVER-CURRENT RELEASE 20A B1-POL
6	301000237	1	WIRE H05V-K 2.5X600 YELLOW GREEN
7	301001229	1	SNAP-ON CLIP 3X4QMM 400V 24A GREY
8	1813773	1	SERRATED LOCK WASHER
9	2760	1	NUT M5 ISO 4032 ZN
10	301002085	1	COVER ELECTRICITY NEPTUNE E
11	103822301	1	CONTACTOR CJX2-D12 12A 24V 3P+NO
11	63907	2	CONTACT 100-C23KJ10 <span style="float: right;">24kW</span>
12	103822323	1	THERMAL RELAY 4-6AMP
12	103822324	1	THERMAL RELAY 5.5-8AMP
12	103822325	1	THERMAL RELAY 7-10AMP
12	103822326	1	OVERC.RELAY JR28-25-1316.9-13A
12	103822328	1	THERMAL RELAY 17-25AMP
12	103822329	1	THERMAL RELAY 23-32AMP
13	3913	8	SCREW M6X12
14	909100018	3	HEXAGON THIN NUT
15	909100019	3	HEXAGON THIN NUT M20X1.5 EN 50262 PA
16	301002088	1	HOLDER 177X100X32
17	64902	3	SCREWED CABLE GLAND METRIC M20X1.5
18	301002168	2	CABLE PVC 4G1.5X1150
19	301000727	1	CORD MOTOR 9-POL.
20	17106	1	INSET
21	64901	3	SCREWED CABLE GLAND M16X1.5
22	301002367	1	MOUNTING RAIL TS35 55MM
23	101117839	1	TERMINAL PLUG AND TERMINAL PINS

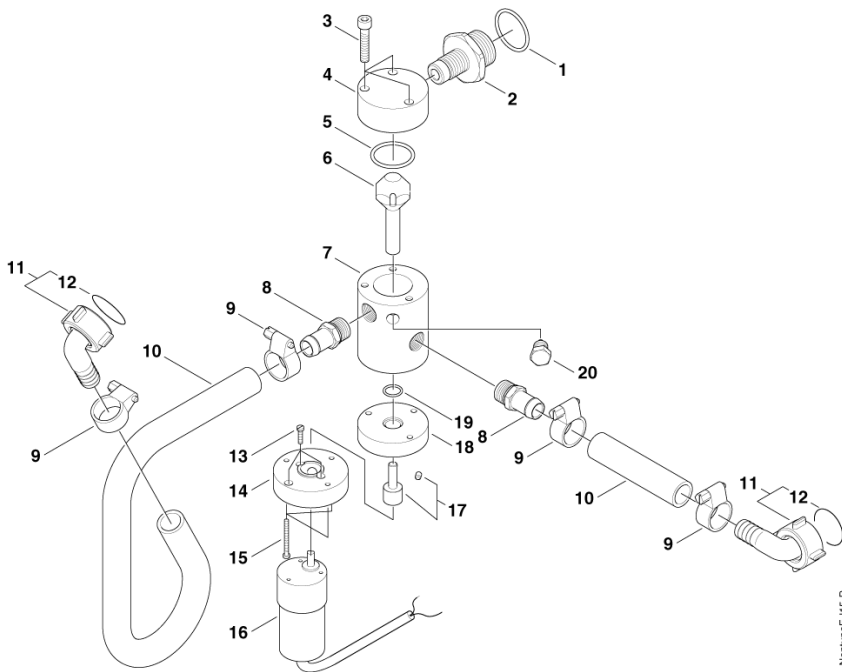
# Mixing valve

NEPTUNE E

10-02-2015

Part List ID  
NEPTUNEE15

32



NeptuneE-115-R



# Mixing valve

## NEPTUNE E

10-02-2015

Part List ID  
NEP1UNE15

33

Pos	Part no.	Qty	Description
1	4804	1	O-RING 28X2.5 DIN 3770 NBR70
2	301001857	1	HOLLOW SCREW G3/4X48.5
3	5945	3	SCREW M6X30
4	301001858	1	COVER Ø50X23.6
5	52334	1	O-RING 27.0x2.0 DIN 3770 NBR70
6	301001864	1	VANE SW24X64.6
7	301001859	1	HOUSING Ø50X60.3
8	301001862	2	HOSE NOZZLE Ø15 SW17X36.
9	8298	4	HOSE CLIP 16-27
10	4169	1	HOSE Ø13 * SEE NOTE
11	5613	2	HOSE NOZZLE Ø16 90 DEGREE 3/4 INCH KU
12	15587	2	PACKING RING 14X24X2 RUBBER
13	9747	3	CYLINDER SCREW M3X12 ISO 1207 ZN
14	301001861	1	MOTOR TRAVERSE Ø53X15.3
15	8866	3	CYLINDER SCREW M3X30 ISO 1207 ZN
16	301002173	1	MOTOR 24VDC/4W
17	301002369	1	SPINDLE M6 Ø13.4X31.5
18	301001860	1	ADAPTOR Ø 50X12
19	13739	1	O-RING 10X2 DIN 3770 NBR70
20	301001856	1	SCREW M10X1

\* NOTE: PLEASE INDICATE LENGTHS IN METRES WHEN ORDERING

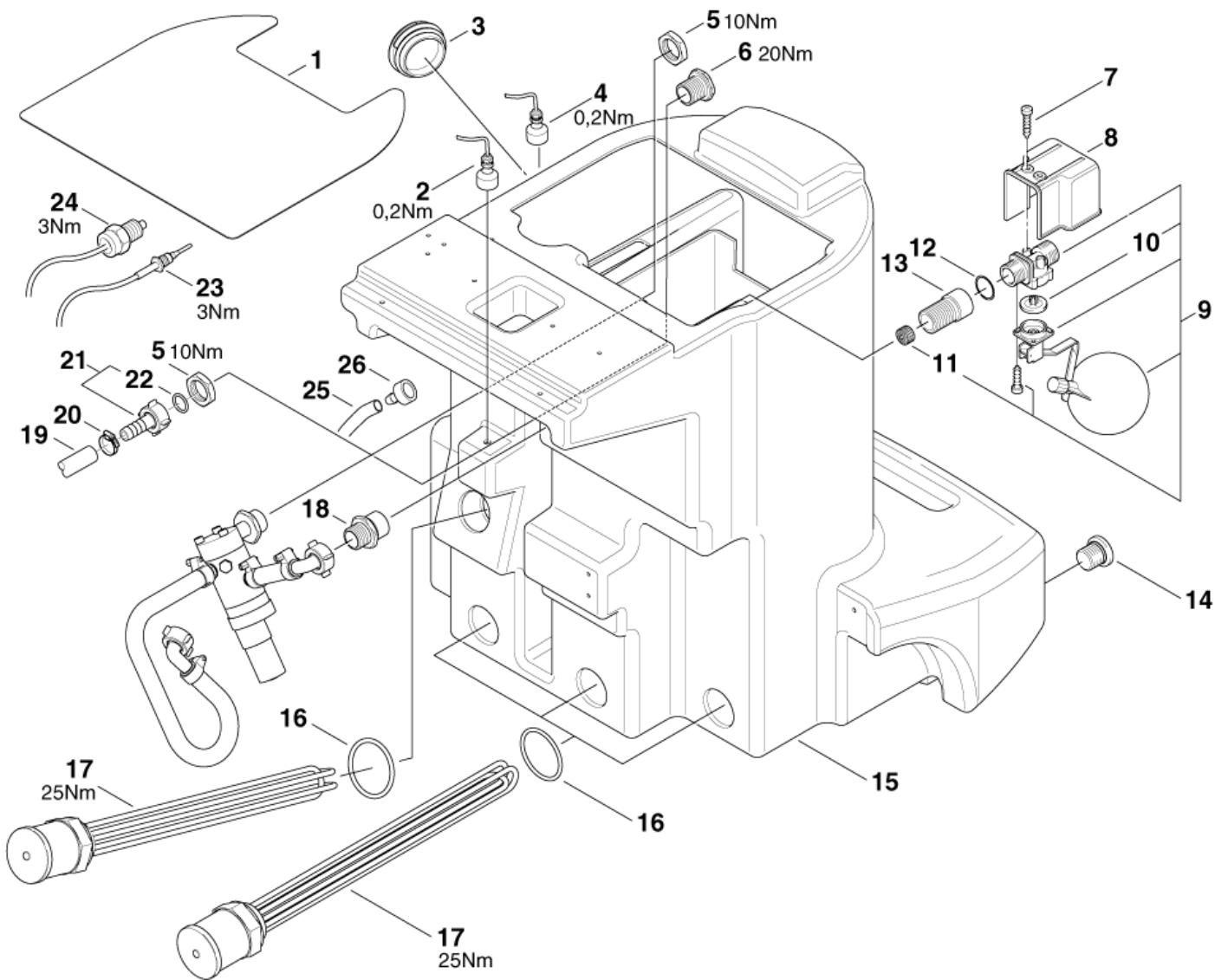
# Heating tank

NEPTUNE E

10-02-2015

Part List ID  
NEPTUNEE16

34



# Heating tank

## NEPTUNE E

10-02-2015

Part List ID  
NEP1UNEE16

35

Pos	Part no.	Qty	Description	
1	301002084	1	COVERING 346X342X1.5 BOILER NEPTUNE E	
2	101117815	1	FLOAT SWITCH FOR NEPTUNE E KIT	
3	301002370	1	EW PLUG 2 W/ GASKET PE	
4	101117815	1	FLOAT SWITCH FOR NEPTUNE E KIT	
5	22669	2	HEXAGON NUT	
6	301002010	1	HOLLOW SCREW G3/4X30	
7	16860	2	SCREW 4X12	
8	34240	1	COVER	
9	63871	1	FLOAT VALVE 3/4 DN10 SS MAX 90 DEGR C	
10	17379	1	MEMBRANE A20	
11	34225	1	FILTER FOR FLOAT VALVE Ø19.5 KU	
12	15587	1	PACKING RING 14X24X2 RUBBER	
13	301002149	1	NIPPLE G3/4X50 I-A	
14	6180906	1	PLUG WITH O-RING	
15	301001880	1	BOILER NEPTUNE E	
16	3717	2	O-RING 42.0X3.0 NITRIL 90 SMS 1586	
17	22297	2	HEATING ELEMENT 6 KW	
17	301000139	4	HEATING ELEMENT 460V 6KW	*US*
18	301002011	1	HOLLOW SCREW G3/4X46 WW36 CUZN	
19	8050	1	HOSE Ø 13 PER METRE	* SEE NOTE
20	8298	1	HOSE CLIP 16-27	
21	8049	1	SE NOZZLE Ø13 3/4 INCH	
22	15587	1	PACKING RING 14X24X2 RUBBER	
23	301002111	1	TEMPERATURE SENSOR M10X1	
24	301002110	1	TEMPERATURE LIMITER 85C	
25	101406100	1	HOSE DN 6X3 5M	* SEE NOTE
26	6400240	1	CHEMICAL FILTER /PLASTIC/	=> 30.09.2006 I

\* NOTE: PLEASE INDICATE LENGTHS IN METRES WHEN ORDERING

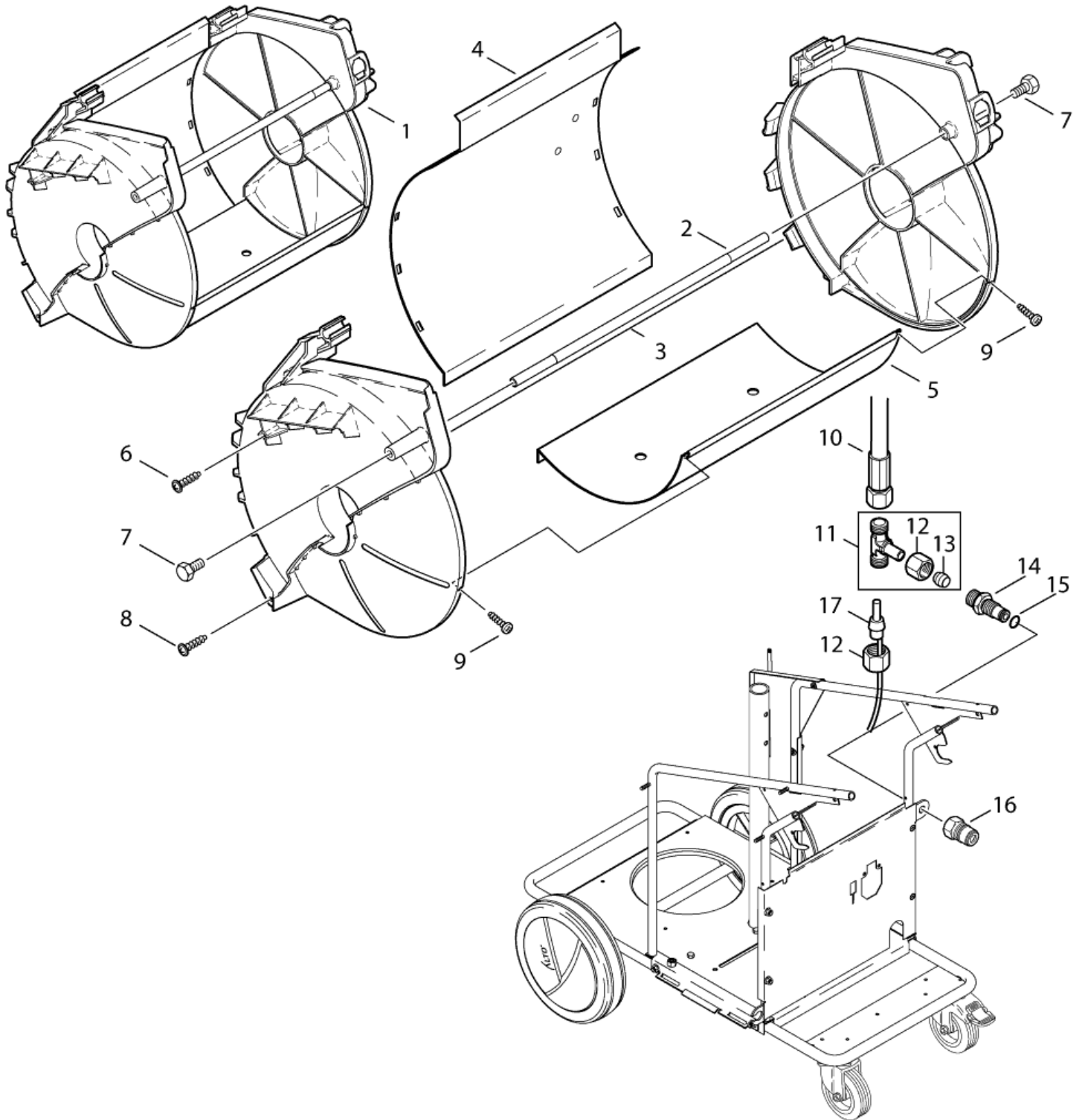
# Basket

NEPTUNE E

10-02-2015

Part List ID  
NEPTUNEE17

36



# Basket

## NEPTUNE E

10-02-2015

Part List ID  
NEP1UNE17

37

Pos	Part no.	Qty	Description	
1	301000708	1	BASKET	CONSISTING OF: *
2	301000668	1	GUIDE BAR Ø12X451	*
3	301001359	1	HOSE REEL CABINET LEFT/RIGHT	*
4	301000602	1	SHEET METAL 390X262X142	*
5	301000601	1	SHEET METAL 390X261X142	*
6	11565	2	SCREW 5X18 WN1411	
7	6557	2	SCREW M8X16	
8	43341	2	SCREW 5X30	
9	18086	2	SCREW 2.9X13	*
10	301000854	1	HP-HOSE 8X610	
11	101118093	1	T-FITTING M18 X 1.5 THREAD	
12	1081	2	UNION NUT L12 DIN 3870-A ST/ZN	
13	1080	1	CUTTING RING L12 B DIN 3861 ST/ZN	
14	301000627	1	FITTING	
15	42768	1	O-RING 11.2x1.8 DIN 3771 NBR70	
16	1600493	1	Nippel F. Q-COUPL. 3/8 INCH	
17	301000730	1	TEMPERATURE SENSOR W/PVC WIRE PT 100	

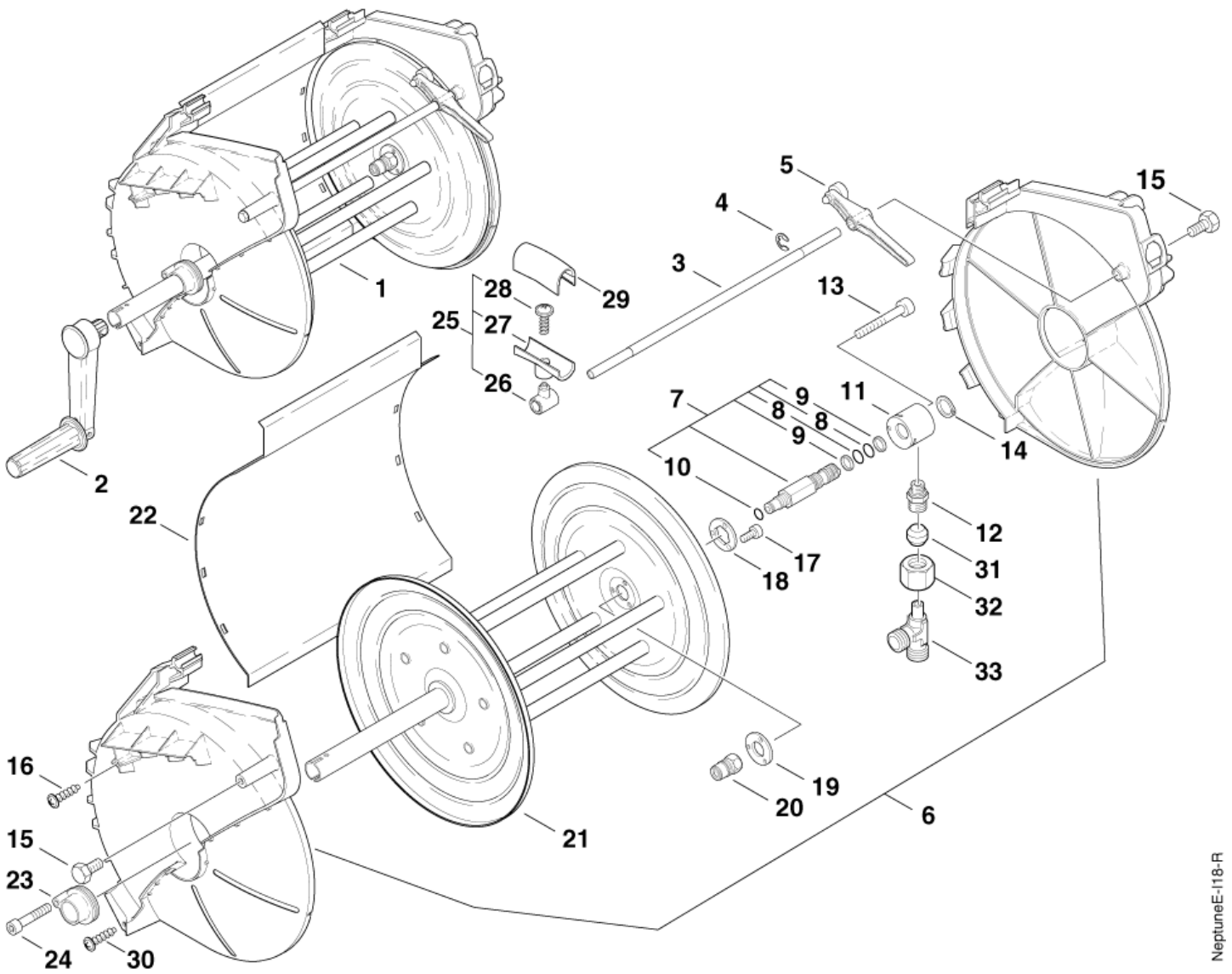
# Hose reel - X-models

NEPTUNE E

10-02-2015

Part List ID  
NEPTUNEE18

38



# Hose reel - X-models

NEPTUNE E

10-02-2015

Part List ID  
NEP1UNE18

39

Pos	Part no.	Qty	Description
1	301000851	1	HOSE REEL 50M
2	301000733	1	CRANK 190X175X45
3	301000668	1	GUIDE BAR Ø12X451
4	1814466	1	SAFETY WASHER D9 A2 DIN 6799
5	301000746	1	BRAKE FOR HOSE REEL
6	301001359	1	HOSE REEL CABINET LEFT/RIGHT
7	301001096	1	HP-HOISTING RING
8	19620	2	O-RING 15.54x2.62 DIN 3771 NBR70
9	63792	2	SUPPORTING RING 16.26X2.18
10	42768	1	O-RING 11.2x1.8 DIN 3771 NBR70
11	301000624	1	HOISTING RING HOUSING 45X4
12	54590	1	FITTING XGE12L 1/4NPT
13	5100	1	SCREW M6X45 ISO 4762
14	1802057	1	CIRCLIP EXTERNAL 20X1.2 STEEL. DIN 471
15	6557	2	SCREW M8X16
16	11565	2	SCREW 5X18 WN1411
17	3913	3	SCREW M6X12
18	301000653	1	WASHER Ø 45X4
19	301000850	1	WASHER Ø2
20	1600493	1	Nippel F. Q-COUPL. 3/8 INCH
21	301000698	1	HOSE REEL 50M
22	301000602	1	SHEET METAL 390X262X142
23	301000849	1	BEARING LEFT Ø 50X33
24	5945	1	SCREW M6X30
25	301000780	1	HOSE GUIDE 70X40
26	301000672	1	HOSE GUIDE SLEEVE 33.2X2
27	301000676	1	HOSE GUIDE SECTION LOWER
28	10028	1	SCREW KA50X14 WN1411
29	301000674	1	HOSE GUIDE SECTION - UPPER 70X31.7X28.5
30	43341	2	SCREW 5X30
31	1080	1	CUTTING RING L12 B DIN 3861 ST/ZN
32	1081	1	UNION NUT L12 DIN 3870-A ST/ZN
33	4038	1	FITTING XEVL 12L

# Default accessoires

NEPTUNE E

10-02-2015

Part List ID  
NEPTUNEE38

40

No Drawing For Part List



# Default accessoires

NEPTUNE E

10-02-2015

Part List ID  
NEP1UNE38

41

Pos	Part no.	Qty	Description
-	106403122	1	ERGO 2000 STANDARD W. HOSE SWIVEL
0	101405770	1	HOSE DN8 10M 2W W. ERGO FEMALE COUPL
2	101119739	1	NOZZLE 0435 INDICATION RING BLUE
2	101119740	1	NOZZLE 0450 INDICATION RING LIGHT BLUE
2	106403035	1	UNIVERSAL PLUS LANCE 1080 BEND W/O NOZZ

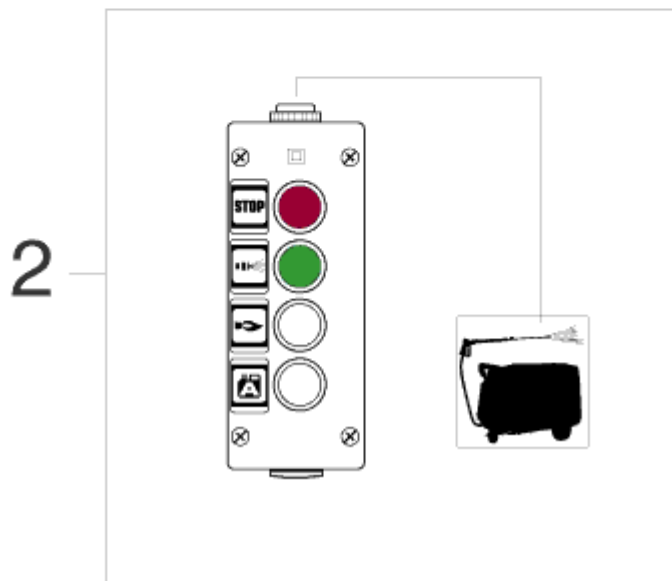
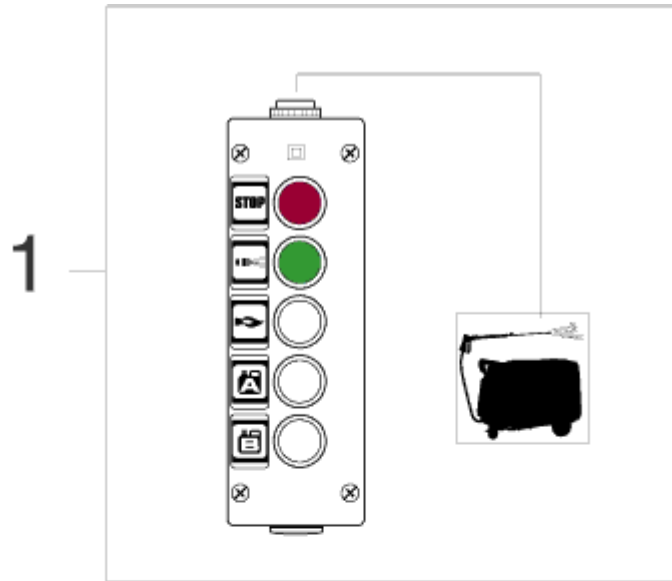
# Remote control - accessory

NEPTUNE E

10-02-2015

Part List ID  
NEPTUNE578

42



# Remote control - accessory

NEPTUNE E

10-02-2015

Part List ID  
NEPTUNE578

43

Pos	Part no.	Qty	Description	
1	301001356	1	REMOTE CONTROL 2X DETERGENT	
2	301001355	1	REMOTE CONTROL 1X DETERGENT	
NI	301001357	1	ELECTRONIC UNIT FOR REMOTE CONTROL	Print for remote control

# Recommended spare parts

NEPTUNE E

10-02-2015

Part List ID  
NEPTUNEE40

44

No Drawing For Part List

# Recommended spare parts

## NEPTUNE E

10-02-2015

Part List ID  
NEPTUNE E40

45

Pos	Part no.	Qty	Description	
A	101117926	1	FILTER	A
A	103821729	1	FUSE 5X20 2A T 250V	A
A	16998	1	O-RING 14.0x1.5 NBR70	A
A	24499	1	FINE-WIRE FUSE	A
A	301000905	1	PISTON D14.6X25.5	A
A	301002166	1	JUMPER	A
A	301002167	1	JUMPER	A
A	301002373	1	KIT VALVE 6X N.HW	A
A	301002375	1	KIT OIL SEALING N.HW	A
A	301002376	1	KIT PISTON SEALING	A
A	301002377	1	KIT SUPPORT RING	A
A	301002926	1	INLINE FILTER 101X36.5X6 KU	A
A	3205	1	STRAINER VALVE 3/8	A
A	34225	1	FILTER FOR FLOAT VALVE Ø19.5 KU	A
A	56519	1	O-RING 6.5x3.0 SMS 1586 NBR90	A
A	63871	1	FLOAT VALVE 3/4 DN10 SS MAX 90 DEGR C	A
A	64314	1	REPAIR KIT	A
C	101117815	1	FLOAT SWITCH FOR NEPTUNE E KIT	C
C	101118019	1	MOTOR 4.5KW 230/400 3 PHASE	C
C	103822301	1	CONTACTOR CJX2-D12 12A 24V 3P+NO	C
C	103822313	1	CONTACTOR CJX2-D25 25A 24V 3P+NO/US	C
C	103822323	1	THERMAL RELAY 4-6AMP	C
C	103822324	1	THERMAL RELAY 5.5-8AMP	C
C	103822325	1	THERMAL RELAY 7-10AMP	C
C	103822326	1	OVERC.RELAY JR28-25-1316.9-13A	C
C	103822328	1	THERMAL RELAY 17-25AMP	C
C	103822329	1	THERMAL RELAY 23-32AMP	C
C	16443	1	O-RING 17.0x2.0 DIN 3770 NBR70	C
C	22274	1	OVER-CURRENT RELEASE 20A B1-POL	C
C	22297	1	HEATING ELEMENT 6 KW	C
C	28877	1	SWITCH 10A 400V AC	C
C	301000139	1	HEATING ELEMENT 460V 6KW	C
C	301000554	1	CASTOR D125 WITH BRAKE	C
C	301000730	1	TEMPERATURE SENSOR W/PVC WIRE PT 100	C
C	301000731	1	MICRO SWITCH 250V	C
C	301000854	1	HP-HOSE 8X610	C
C	301001000	1	VALVE 51X70	C
C	301001196	1	FLOAT SWITCH LS01 W/PUR WIRE 10VA	C
C	301002103	1	DISPLAY CIRCUIT BOARD	C
C	301002108	1	MAIN CIRCUIT BOARD	C
C	301002110	1	TEMPERATURE LIMITER 85C	C
C	301002111	1	TEMPERATURE SENSOR M10X1	C
C	301002112	1	TRANSFORMER 400V/460V 24V/8V 52VA	C

# Recommended spare parts

NEPTUNE E

10-02-2015

Part List ID  
NEPTUNE E40

46

Pos	Part no.	Qty	Description	
C	31000466	1	PISTON KIT Ø18	C
C	49924	1	ANTI VIBRATION DAMPER 30X20	C
C	5905	1	ROLLER BEARING 6306-2Z-C3 120 DEGREES C	C
C	62729	1	SAFETY VALVE 250BAR	C
C	63058	1	CONNECTION	C