

NEPTUNE 3

Model:

NEPTUNE 3-22
NEPTUNE 3-23
NEPTUNE 3-25
NEPTUNE 3-26
NEPTUNE 3-32
NEPTUNE 3-33
NEPTUNE 3-38
NEPTUNE 3-41



Part List US-English

16-05-2011

Nilfisk
ALTO
works for you

www.nilfisk-alto.com

Table of Contents

NEPTUNE 3

Cabinet	3
Frame	5
Fuel tank	7
Water break tank	9
Anti-scale pump	11
Motor	13
Pump	16
Pump kits	19
Control safety block (a)	21
Control safety block (b)	23
Electric box (motor)	25
Electric box	27
Electric box cables	30
Cover electric box	32
Burner unit	34
Heat exchanger	36
Distributor, ignition transformer	38
Burner head assy.	40
Basket	42
Hose reel	44
Default accessories	46
Service crane	48
Total check kits, recommended spare parts	50
Recommended spare parts	52

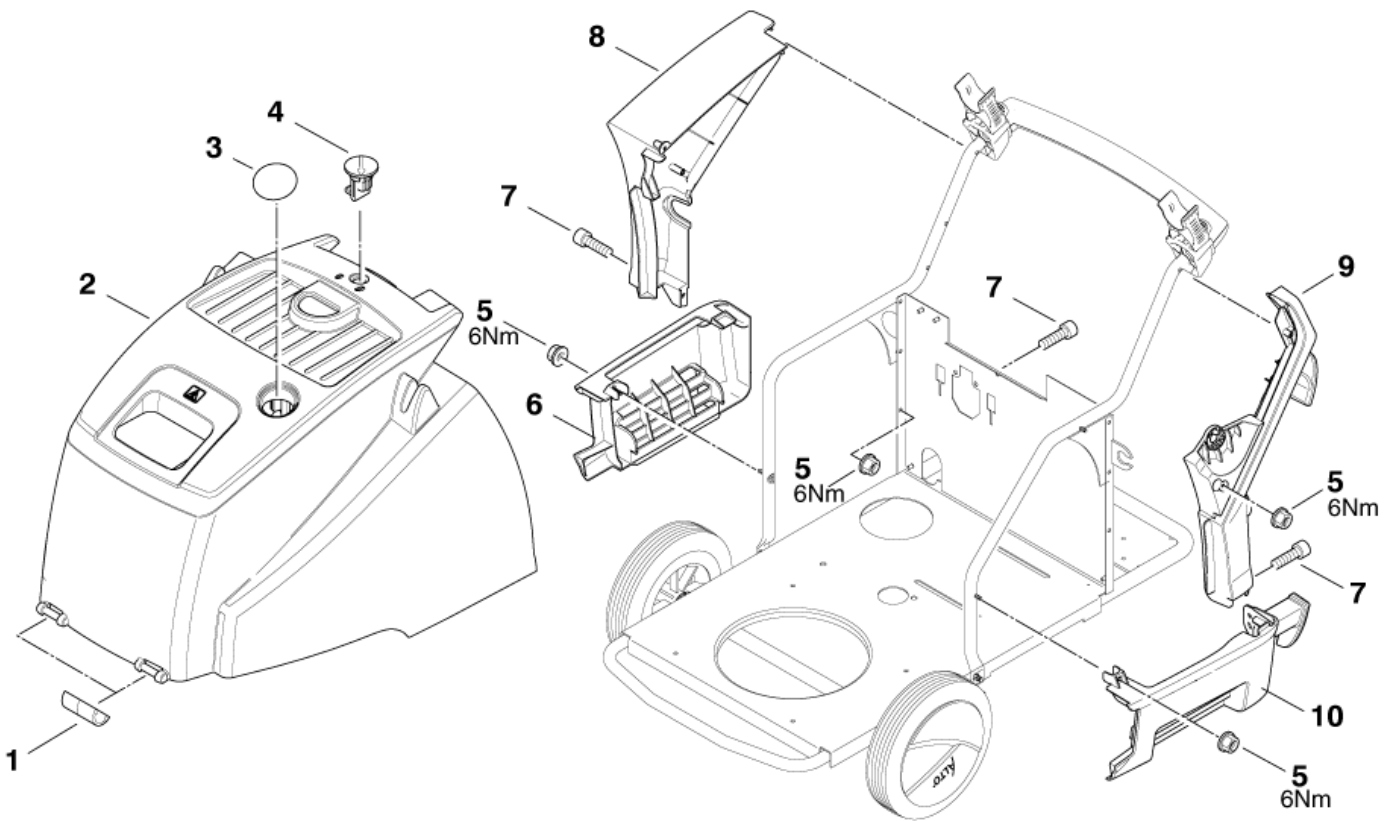
Cabinet

NEPTUNE 3

16-05-2011

Part List ID
NEPT302

3



Cabinet

NEPTUNE 3

16-05-2011

Part List ID
NEPT302

4

Pos	Part no.	Qty	Description	EAN
1	301000457	2	CABINET CLIP	4005337022
1	301001518	2	CABINET CLIP	4005337047
			3-17 CLASSIC, 3-22 *EU*, 3-30 CLASSIC, 3-33 CLASSI	
2	301001062	1	COVER BLUE NEPTUNE 3	4005337040
2	301001063	1	COVER NEPTUNE 3 BLACK	4005337040
			3-22 *EU*, 3-17 CLASSIC, 3-30 CLASSIC, 3-33 CLASSI	
3	301001682	1	COVER PLATE 63X4	4005337066
			3-17 CLASSIC, 3-22 *EU*GB* , 3-30 CLASSIC, 3-33 CL	
4	301001261	1	LOCKING BOLT Ø29X35	4005337042
5	12496	5	HEXAGON NUT M6	4005337172
6	301001215	1	SIDE CABINET LOWER RIGH	4005337046
7	3913	3	SCREW M6X12	4005337039
8	301001188	1	SIDE CABINET UPPER RIGH	4005337040
9	301001187	1	SIDE CABINET UPPER LEFT	4005337040
10	301001214	1	SIDE CABINET LOWER LEFT	4005337046

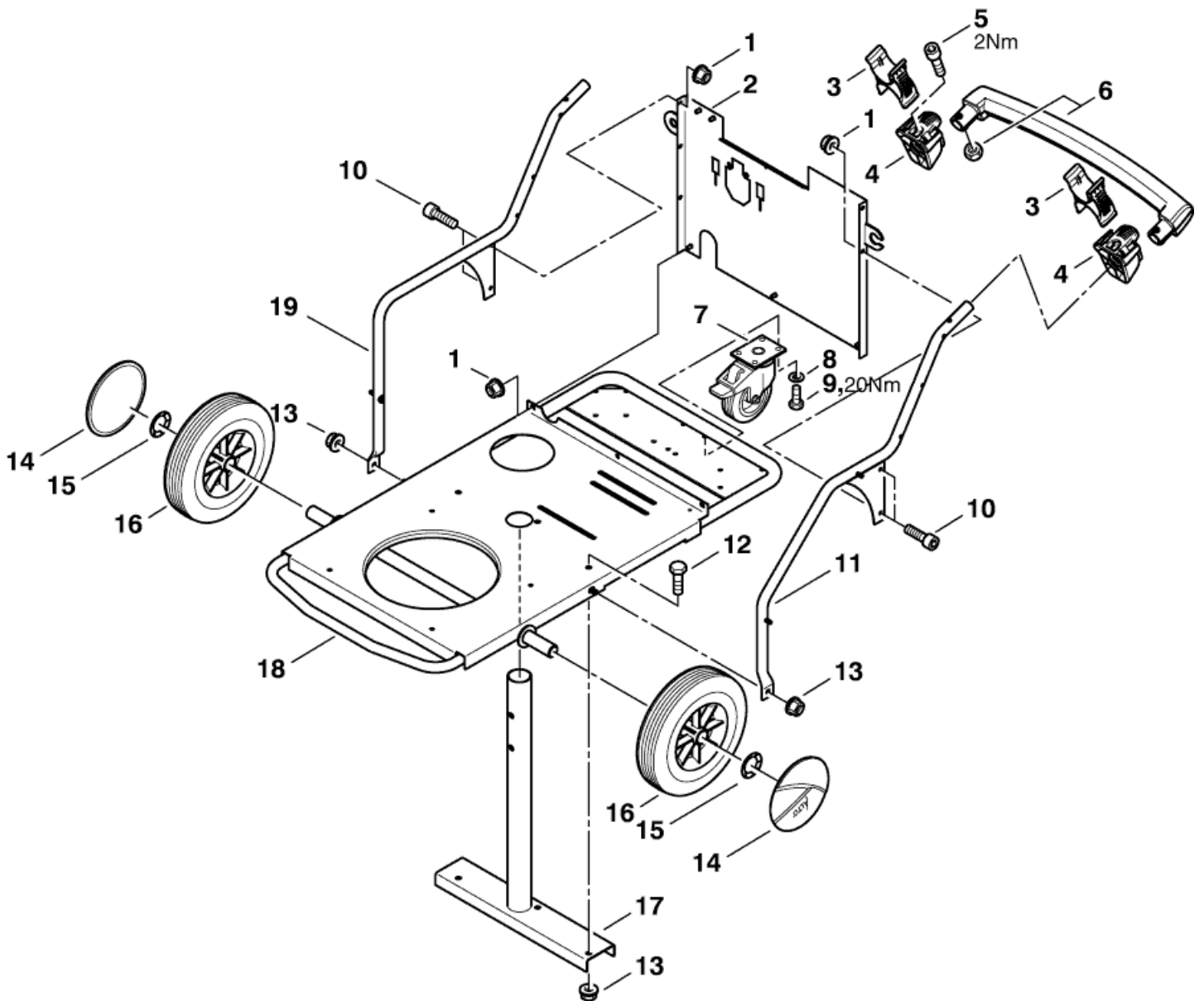
Frame

NEPTUNE 3

16-05-2011

Part List ID
NEPT301

5



Frame

NEPTUNE 3

16-05-2011

Part List ID
NEPT301

6

Pos	Part no.	Qty	Description	EAN
1	12496	7	HEXAGON NUT M6	4005337172
2	301001256	1	REAR WALL - 487X394X21	4005337047
3	101117964	2	LANCE HOLDER NEP3 NEP4	4005337178
4	301001283	2	HOLDER F. LANCEHOLDER 62X71X75 PPC 7650	4005337048
5	5945	2	SCREW M6X30	4005337059
6	301000447	1	HANDLE PREASSEMBLY	4005337022
7	301001547	1	CASTOR 100	4005337058
8	2762	4	WASHER 8.4X1.6	4005337027
9	5370	4	SCREW M8X10	4005337053
10	3913	4	SCREW M6X12	4005337039
11	301001251	1	TUBE FRAME - LEFT 629X553	4005337047
12	8942	3	COUNTERSUNK SCREW M8X16 ISO 7046 ZN	Option 4005337089
13	61467	5	HEXAGON NUT M8	4005337614
14	301001076	2	WHEEL CAP Ø180	4005337031
15	1813799	2	SPRING PLATE WASHER	5701715031
16	301000989	2	WHEEL Ø250X75	4005337027
17	301001267	1	CENTRAL TUBE	Option 4005337042
18	301002481	1	BASE FRAME NEPTUNE 3+4	4005337102
19	301001252	1	TUBE FRAME - RIGHT 629X55	4005337047
19	301002488	1	TUBE FRAME RIGHT	3-25 110/1/50 *GB* 4005337103

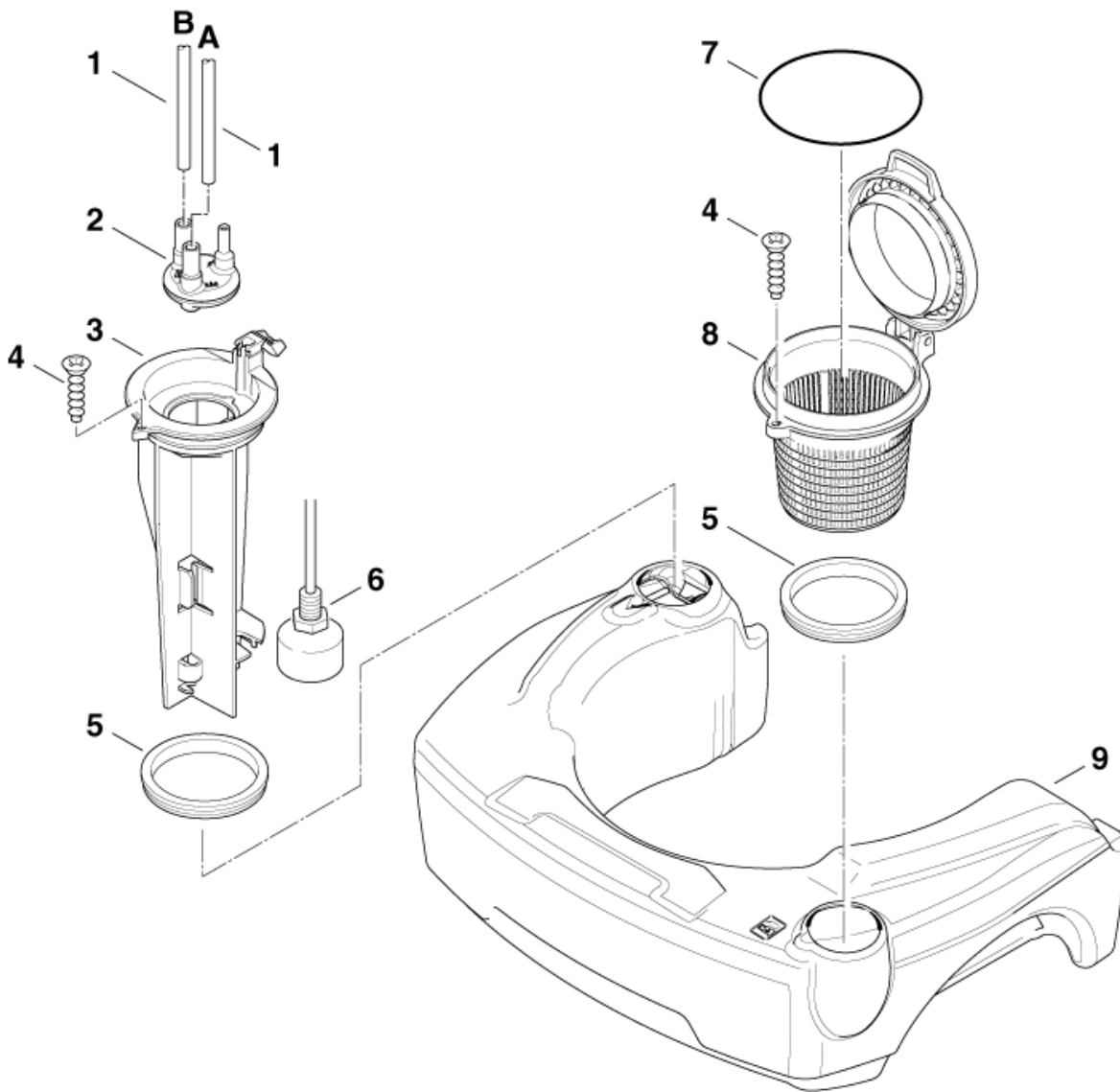
Fuel tank

NEPTUNE 3

16-05-2011

Part List ID
NEPT303

7



Fuel tank

NEPTUNE 3

16-05-2011

Part List ID
NEPT303

8

Pos	Part no.	Qty	Description	EAN
1	17710	1	TUBE DN6X1 PA DIN 73378	4005337177
			* SEE NOTE	
2	301001276	1	PLUG Ø40X42	4005337047
3	301001262	1	LEVEL SENSOR PP	4005337042
4	18086	2	SCREW 2.9X13	4005337180
5	301000620	2	GASKET Ø79.6XØ66X10	4005337022
6	301001196	1	FLOAT SWITCH	4005337035
7	909100173	1	O-RING 56.0X5.0 NBR70	4005337048
8	301001292	1	FILTER -CUP Ø98.8	4005337049
9	301001208	1	FUEL OIL TANK- NEPTUNE 3 PE	4005337043

* NOTE: PLEASE INDICATE LENGTHS IN METRES WHEN ORDERING

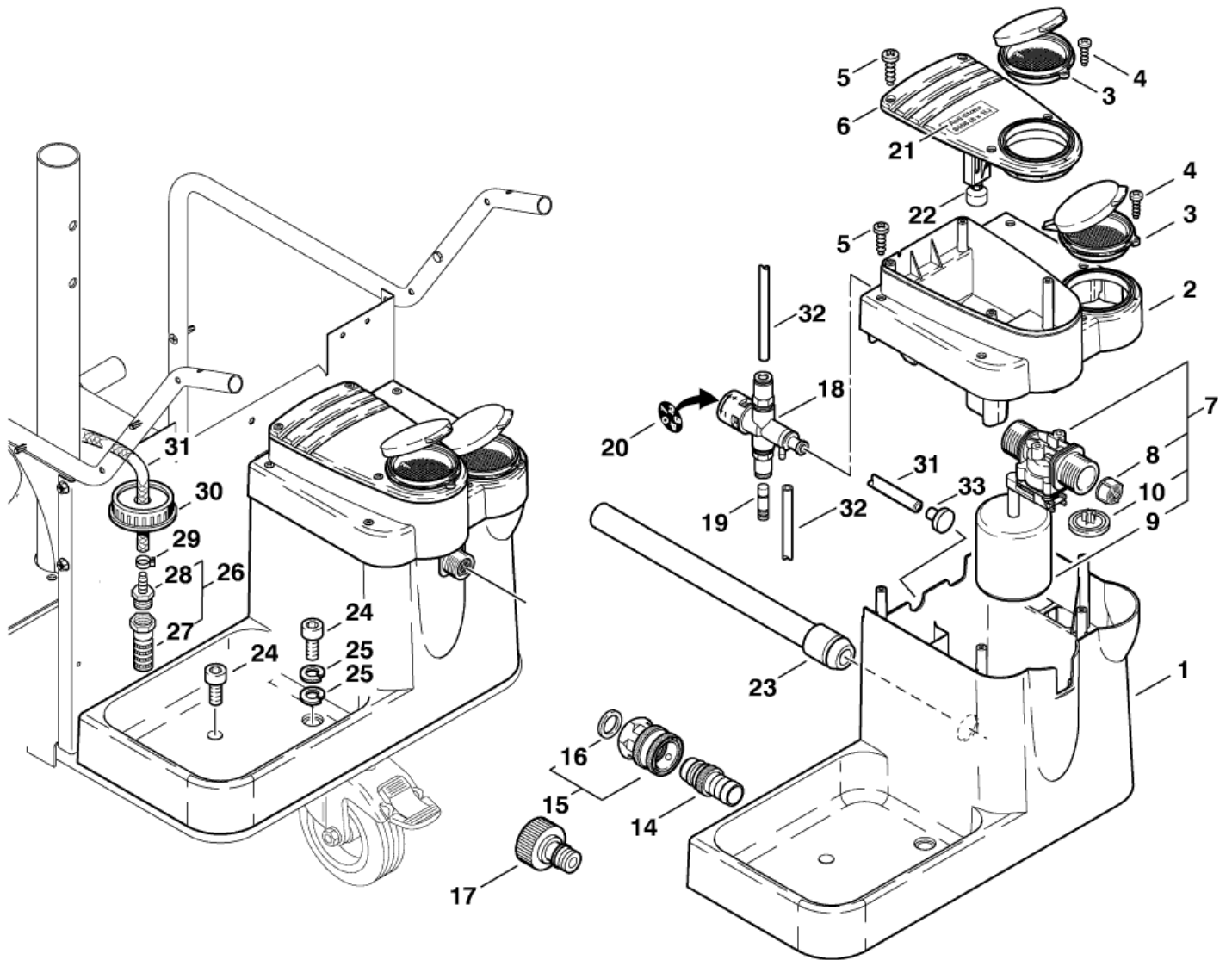
Water break tank

NEPTUNE 3

16-05-2011

Part List ID
NEPT304

9



Water break tank

NEPTUNE 3

16-05-2011

Part List ID
NEPT304

10

Pos	Part no.	Qty	Description	EAN
1	301000563	1	WATER BREAK TANK	4005337024
2	301000562	1	ANTI SCALE TANK	4005337024
3	301000561	2	TANK COVER DETERGENT	4005337022
4	1805175	2	SCREW 3X12	5701715029
5	56727	8	SCREW 5X20	4005337567
6	301000560	1	COVER ANTI SCALE TANK	4005337024
7	63347	1	FLOAT VALVE	4005337633
8	34218	1	FILTER FOR FLOAT VALVE KU	4005337342
9	62877	1	SWIMMER Ø 55X60	4005337628
10	62878	1	MEMBRANE	4005337628
14	1600659	1	LP NIPPLE F. Q.-COUPLING 3/4IN	*JP* 5701715023
14	1605872	1	QUICK COUPLING NIPPLE	*US* 5701715026
15	1602945	1	QUICK COUPLING 3/4 W/GASKET	*JP*US* 5701715024
16	3001237	1	GASKET 24.5X 16X3	*JP*US* 5701715037
17	32541	1	GARDENA MALE 3/4	4005337325
18		1	USE LINK	3-20, 3-23, 3-25, 3-26, 3-30, 3-33, 3-38, 3-41
19	301001180	1	PLUG 4	=>31.03.2005 3-20, 3-23, 3-25, 3-26, 3-30, 3-33, 4005337034
20	301000915	1	LABEL Ø20	3-20, 3-23, 3-25, 3-26, 3-30, 3-33, 3-38, 3-41 4005337025
21	301000932	1	LABEL ANTI STONE PE	3-20, 3-23, 3-25, 3-26, 3-30, 3-33, 3-38, 3-41 4005337025
22	301000695	1	FLOAT SWITCH LS01 W.WIRE 10VA P	3-20, 3-23, 3-25, 3-26, 3-30, 3-33, 3-38, 3-41 4005337691
23	301000713	1	SUCTION HOSE Ø 22X295	4005337021
24	8892	2	SCREW M8X16	4005337088
25	2770	2	LOCK WASHER 8	4005337027
26	17508	1	STRAINER VALVE 6	3-20, 3-23, 3-25, 3-26, 3-30, 3-33, 3-38, 3-41 5701715306
27	3205	1	STRAINER VALVE 3/8	3-20, 3-23, 3-25, 3-26, 3-30, 3-33, 3-38, 3-41 4005337032
28	5283	1	HOSE NOZZLE 6R3/8	3-20, 3-23, 3-25, 3-26, 3-30, 3-33, 3-38, 3-41 4005337052
29	11654	1	HOSE CLAMP DIA 11,5	3-20, 3-23, 3-25, 3-26, 3-30, 3-33, 3-38, 3-41 4005337116
30	301001004	1	CLOSING CAP W.HOLE Ø65X22	Empty container 10L part 80518 4005337028
31	101406100	1	HOSE DN 6X3 5M	3-20, 3-23, 3-25, 3-26, 3-30, 3-33, 3-38, 3-41 * S 4005337163
32	909100141	1	PIPE Ø 4X1	* SEE NOTE 4005337023
33	6400240	1	FILTER	from 01. Mar. 2006 - up to 30. Sep. 2006 5701715097

* NOTE: PLEASE INDICATE LENGTHS IN METRES WHEN ORDERING

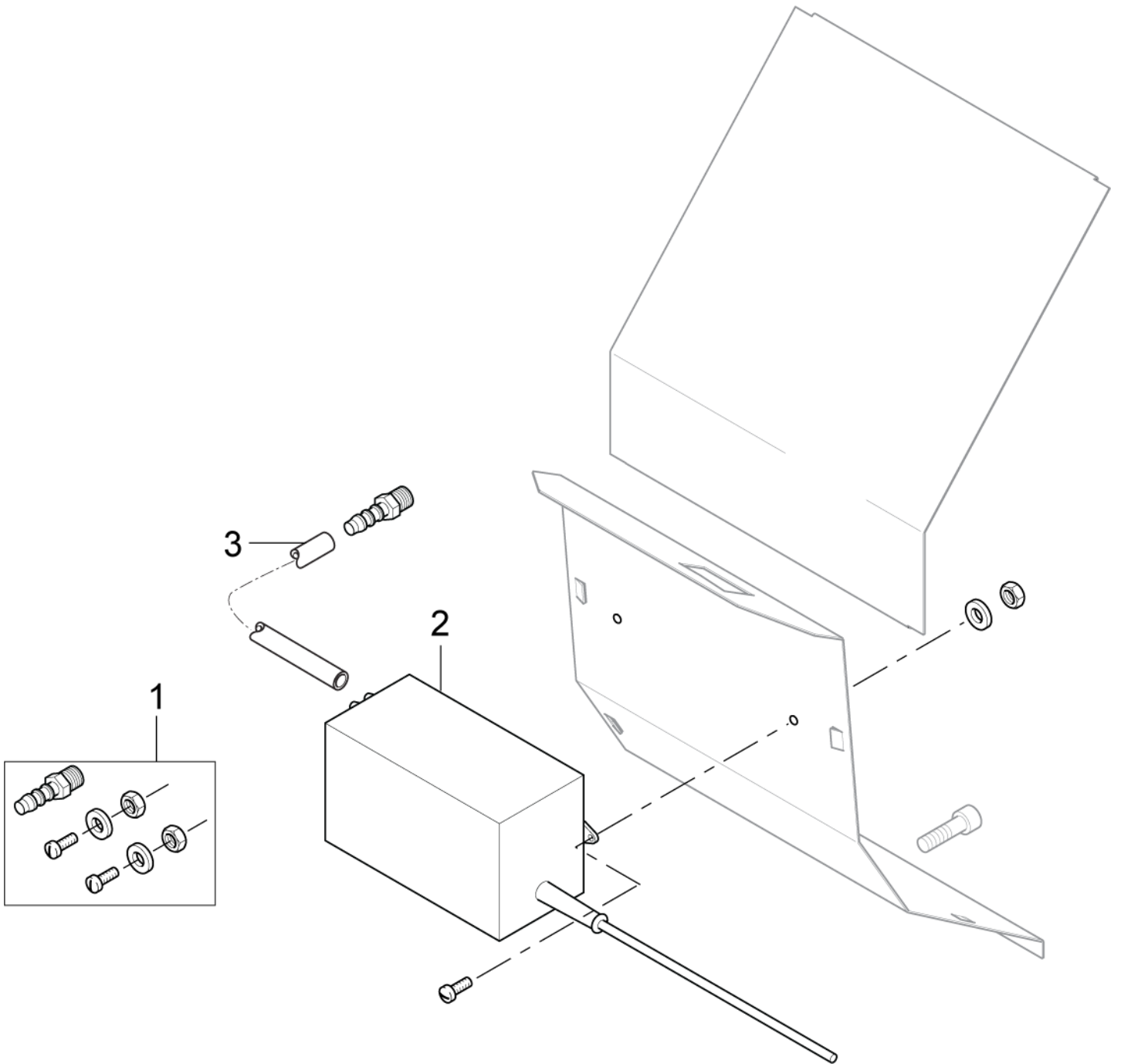
Anti-scale pump

NEPTUNE 3

16-05-2011

Part List ID
NEPT3404

11



Anti-scale pump

NEPTUNE 3

16-05-2011

Part List ID
NEPT3404

12

Pos	Part no.	Qty	Description	EAN
1	101117831	1	SCREW FITTING F MOUNTING ANTISCALE PUMP	4005337163
2	101117826	1	ANTISCALE PUMP ST-15 35 ML WITH PLUG 24V	4005337169
3	101117833	1	HOSE D3/D5 TRANSPARENT 0.6MM KIT	4005337163

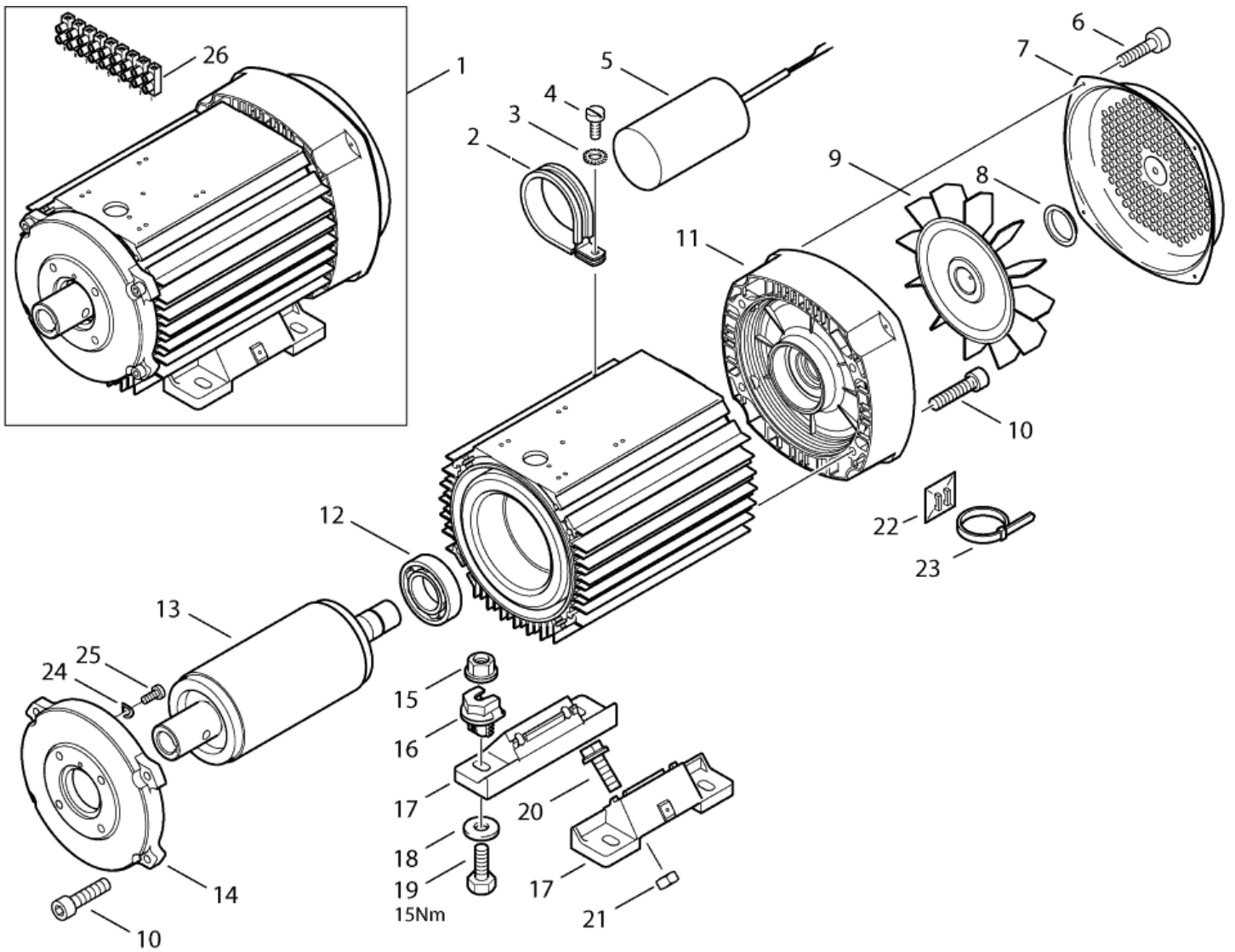
Motor

NEPTUNE 3

16-05-2011

Part List ID
NEPT310

13



Motor

NEPTUNE 3

16-05-2011

Part List ID
NEPT310

14

Pos	Part no.	Qty	Description		EAN
1	101118023	1	MOTOR 4.0KW 230/400	3-41	4005337183
1	101118026	1	MOTOR 1.7KW/230/1	3-22	4005337183
1	101118027	1	MOTOR 2.2KW 230V	3-23, 3-26, 3-30, 3-30 CLASSIC	4005337183
1	101118029	1	MOTOR 2.0KW 110V/1 WITH PLUG	3-25 110V	4005337183
1	101118030	1	MOTOR 4KW/200/3	3-38	4005337183
1	101118031	1	MOTOR 1.4KW/120/1	3-20	4005337183
1	301001239	1	MOTOR 3.2KW 230/400	3-33, 3-33 CLASSIC	4005337038
1	301002395	1	Motor 1,0kW 120V	3-17 CLASSIC	4005337086
2	301001093	1	FASTENING CLIP D50.8X16	3-20, 3-23, 3-25, 3-26, 3-30, 3-30 CLASSIC	4005337031
3	3376	1	SERRATED LOCK WASHER	3-20, 3-23, 3-25, 3-26, 3-30, 3-30 CLASSIC	4005337033
4	3348	1	SCREW M5X10	3-20, 3-23, 3-25, 3-26, 3-30, 3-30 CLASSIC	4005337033
5	301001017	1	CAPACITOR 60MF 450V W/ FERRULES	3-23, 3-25, 3-26, 3-30, 3-30 CLASSIC	4005337028
5	301001595	1	CAPACITOR	3-20, 3-25 110V	4005337055
5	301002660	1	CAPACITOR 80 F/400V	3-17 CLASSIC	4005337116
6	8822	4	TREAD-CUTTING SCREW 3.5X9.5 C-H ISO 7049		4005337088
7	301001116	1	FAN HOUSING	3-20, 3-23, 3-25, 3-26, 3-30, 3-30 CLASSIC, 3-33,	4005337032
7	301001726	1	FAN HOUSING MOTOR B0305 M	3-17 CLASSIC, 3-22	4005337059
8	301001112	1	FASTENING RING		4005337032
9	301001118	1	IMPELLER	3-20, 3-23, 3-25, 3-26, 3-30, 3-30 CLASSIC, 3-33,	4005337032
9	301001727	1	IMPELLER B0303 MOTOR MEC	3-17 CLASSIC, 3-22	4005337059
10	15045	8	SCREW M6X35		4005337150
11	301001114	1	REAR BEARING COVER	3-20, 3-23, 3-25, 3-26, 3-30, 3-30 CLASSIC, 3-33,	4005337032
11	301001722	1	REAR BEARING COVER B0302	3-17 CLASSIC, 3-22	4005337059
12	6367	1	ROLLER BEARING 6206-2Z-C3	3-20, 3-23, 3-25, 3-26, 3-30, 3-30 CLASSIC, 3-33,	4005337063
12	9934	1	ROLLER BEARING 6205-2Z-C3	3-17 CLASSIC, 3-22	4005337099
13	301001121	1	ROTOR MOTOR 2.2KW	3-23, 3-25, 3-26, 3-30, 3-30 CLASSIC	4005337032
13	301001662	1	ROTOR MOTOR 1,4KW	3-20	4005337058
13	301001666	1	ROTOR MOTOR 2.0KW	3-25 110V	4005337058
13	301001719	1	ROTOR 1,7KW MOTOR 1PH MEC	3-22	4005337059
13	301001720	1	ROTOR 3,2KW MOTOR 3PH MEC	3-33, 3-33 CLASSIC	4005337059
13	301001721	1	ROTOR MOTOR 4KW	3-38, 3-41	4005337059
13	301002508	1	ROTOR MOTOR 1.0KW	3-17 CLASSIC	4005337104
14	301001120	1	MOTOR FLANGE	3-20, 3-23, 3-25, 3-26, 3-30, 3-30 CLASSIC, 3-33,	4005337032
14	301001723	1	MOTOR FLANGE B0307 MEC 90	3-17 CLASSIC, 3-22	4005337059
15	61467	4	HEXAGON NUT M8		4005337614
16	301001269	4	HOLDER NUT M8		4005337052
17	301001127	2	MOTOR FOOT H51MM	3-25 110V	4005337033
17	301001724	2	MOTOR FOOT 39MM HIGH MEC1	3-20, 3-23, 3-25, 3-26, 3-30, 3-30 CLASSIC, 3-33,	4005337059
17	301001725	2	MOTOR FOOT 44MM MEC100	3-17 CLASSIC, 3-22	4005337059
18	2793	4	WASHER 8.4X2		4005337027
19	2751	4	HEX. SCREW M8X35 ISO 4017 ZN		4005337027
20	27372	4	SCREW M8X20 DIN 6921		4005337273

Motor

NEPTUNE 3

16-05-2011

Part List ID
NEPT310

15

Pos	Part no.	Qty	Description	EAN
21	6052	4	HEXAGON NUT M8	4005337060
22	2423	1	ADHESIVE CLIP	4005337024
			from 01. Oct. 2006	
23	15884	1	CABLE STRAP 4,7X1,3X350	4005337158
			from 01. Oct. 2006	
24	1801182	4	SPRING WASHER M8	5701715027
25	1803949	4	SCREW M8 X 20	5701715028
26	101117839	1	TERMINAL PLUG AND TERMINAL PINS	4005337179

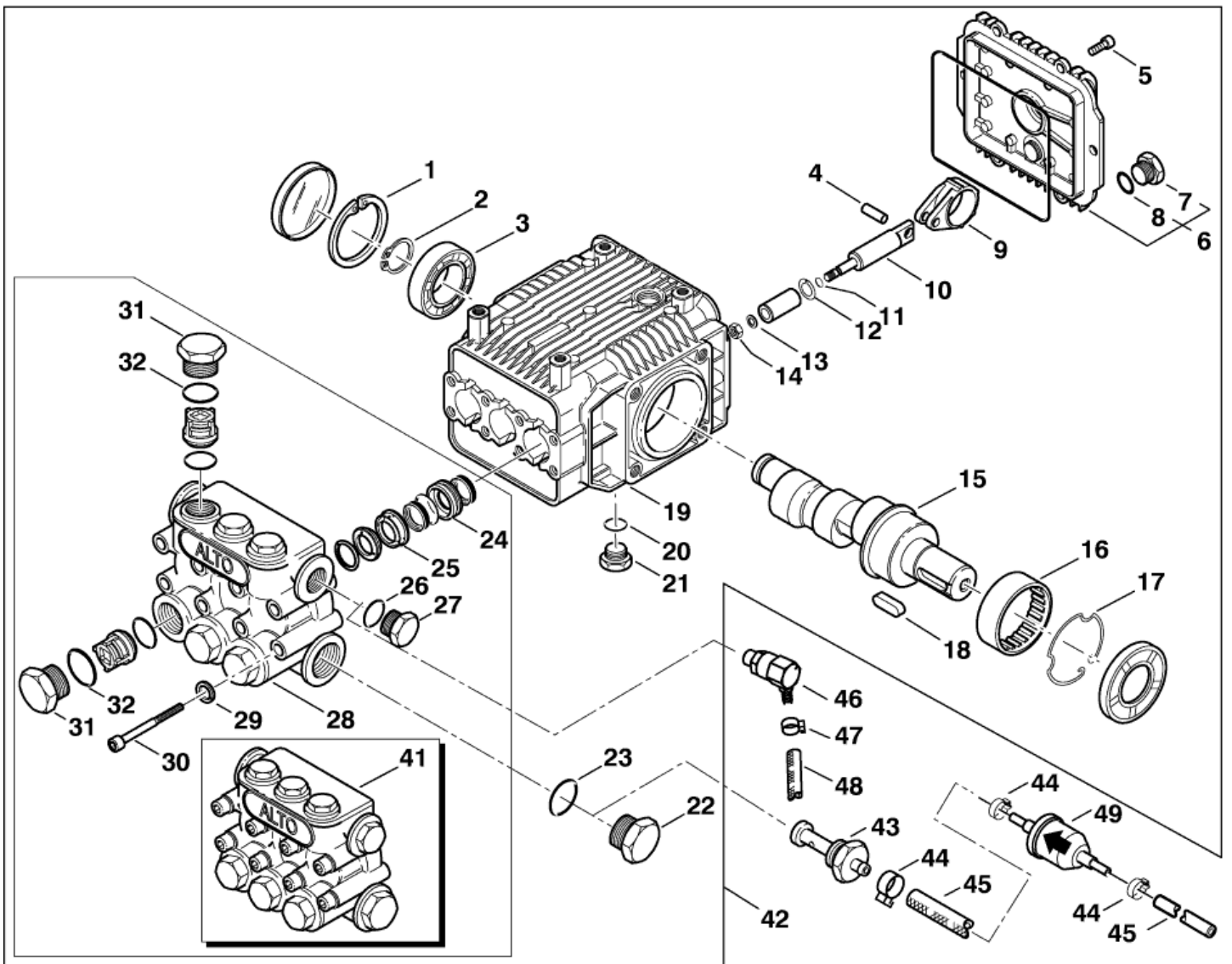
Pump

NEPTUNE 3

16-05-2011

Part List ID
NEPT308

16



Pump

NEPTUNE 3

16-05-2011

Part List ID
NEPT308

17

Pos	Part no.	Qty	Description	EAN
1	16396	1	RETAINING RING 52X2	4005337163
2	32524	1	RETAINING RING 20X1.2	4005337325
3	909100175	1	BALL BEARING	4005337049
4	301001555	3	BOLT NP3-PUMP	4005337052
5	4697	6	SCREW M6X16	4005337046
6	301001158	1	COVER	4005337034
7	301001135	1	PLUG G3/8	4005337033
8	56554	1	O-RING 14.0x1.78 ARP AS 568 A NBR70	4005337565
9	301001561	3	CONNECTING ROD	4005337053
9	301001562	3	CONNECTING ROD 3-17 CLASSIC, 3-20	4005337052
10	301001560	3	PISTON ROD NP3-PUMP	4005337052
11	3004236	3	O-RING 4.48x1.78 ARP AS 568 A NBR70	5701715365
12	301001486	3	DISTANCE SPACER	4005337048
13	909100178	3	PACKING RING Ø 8X13X0,5	4005337049
14	909100177	3	HEXAGON NUT M8/SW13X5	4005337049
15	301001576	1	CRANKSHAFT FOR M4 13.20 3-17 CLASSIC, 3-20, 3-25,3-38 60Hz	4005337053
15	301001577	1	CRANKSHAFT NO.4 3-22, 3-23, 3-26, 3-30, 3-30 CLASSIC,	4005337053
15	301001578	1	CRANKSHAFT NO.1 3-33, 3-33 CLASSIC	4005337053
15	301001685	1	CRANKSHAFT NO.15 3-38 50Hz, 3-41	4005337066
15	301002413	1	CRANKSHAFT NO.5 3-26 60Hz	4005337104
16	909100174	1	ROLLER BEARING Ø 45/ Ø 52X1	4005337048
17	301001539	1	RETAINING RING Ø 62/ Ø 54XØ	4005337051
18	19639	1	PARALLEL KEY A 8X7X25	4005337196
19	301001557	1	HOUSING NP3-PUMP	4005337052
20	56554	1	O-RING 14.0x1.78 ARP AS 568 A NBR70	4005337565
21	301001135	1	PLUG G3/8	4005337033
22	301001136	1	PLUG G1/2/SW24X17 3-17 CLASSIC, 3-22, 3-30 CLASSIC, 3-33 CLASSIC	4005337033
23	5127	1	PACKING RING D21X26	4005337051
24	301001592	3	THRUST COLLAR Ø15 NP3- LP 3-17 CLASSIC, 3-20, 3-22, 3-23, 3-26, 3-30, 3-30 C	4005337054
24	301001593	3	THRUST COLLAR Ø18 NP3- LP 3-25, 3-38, 3-41	4005337054
25	301001558	3	THRUST COLLAR Ø15 NP3- HP 3-17 CLASSIC, 3-20, 3-22, 3-23, 3-26, 3-30, 3-30 C	4005337052
25	301001559	3	THRUST COLLAR Ø 18 NP3- HP 3-25, 3-38, 3-41	4005337052
26	56554	1	O-RING 14.0x1.78 ARP AS 568 A NBR70	4005337565
27	301001135	1	PLUG G3/8	4005337033
28	301001589	1	VALVE BLOCK 3-17 CLASSIC, 3-20	4005337052
28	301001590	1	CYLINDER HEAD 15 MM PISTO 3-22, 3-23, 3-26, 3-30, 3-30 CLASSIC, 3-33, 3-33 C	4005337052
28	301001591	1	VALVE BLOCK 18MM PISTON 3-25, 3-38, 3-41	4005337052
29	909100188	8	LOCK WASHER Ø 6	4005337052
30	909100184	8	HEXAGON SOCKET HEAD CAP S	4005337049
31	301001496	6	PLUG M22 SW21X22,5	4005337048
32	103004342	6	JOINT TORQUE 17,86X2,62	5701715296
41	301001586	1	CYLINDER HEAD COMPLETE FO 3-17 CLASSIC, 3-20	4005337052

Pump

NEPTUNE 3

16-05-2011

Part List ID
NEPT308

18

Pos	Part no.	Qty	Description		EAN
41	301001587	1	VALVE BLOCK COMPL. Ø 15MM	3-22, 3-23, 3-26, 3-30, 3-30 CLASSIC, 3-33, 3-33 C	4005337052
41	301001588	1	VALVE BLOCK COMPL. Ø18MM	3-25, 3-39, 3-41	4005337052
42	301001298	1	PUMP NP3 09.15 N 9 L/MIN 150BAR ALTO	3-22, 3-23, 3-26 50Hz, 3-30, 3-30 CLASSIC	4005337042
42	301001299	1	PUMP NP3 11.17 N 11 L/MIN 170BAR ALTO	3-33, 3-33 CLASSIC	4005337042
42	301001306	1	PUMP NP3 12.17 N 12 L/MIN 170BAR ALTO	3-38 50Hz, 3-41	4005337042
42	301001458	1	PUMP M4 13.20	3-17 CLASSIC, 3-20	4005337045
42	301001902	1	PUMP NP3 10.17 N 10L/MIN 170BAR ALTO	3-25, 3-38 60Hz	4005337072
42	301002095	1	PUMP NP3 08.15 N 8 L/MIN 150BAR ALTO	3-26 60Hz	4005337077
43	301002403	1	HOLLOW SCREW G1/2 Ø14.8 POM INSTAL.	3-17 CLASSIC Option, 3-20, 3-22 Option, 3-23, 3-25	4005337088
43	301002404	1	HOLLOW SCREW G1/2 Ø15.4 POM INSTAL.	3-33, 3-38, 3-41	4005337088
44	11654	1	HOSE CLAMP DIA 11,5	3-17 CLASSIC Option, 3-20, 3-22 Option, 3-23, 3-25	4005337116
45	101406100	1	HOSE DN 6X3 5M	3-17 CLASSIC Option, 3-20, 3-22 Option, 3-23, 3-25	4005337163
46	301003109	1	EASY START VALVE MODIFIED		4005337130
47	7239	1	HOSE CLIP D14,5		4005337072
48	9175	1	HOSE		4005337091
49	301002926	1	INLINE FILTER 101X36.5X6 KU		4005337122

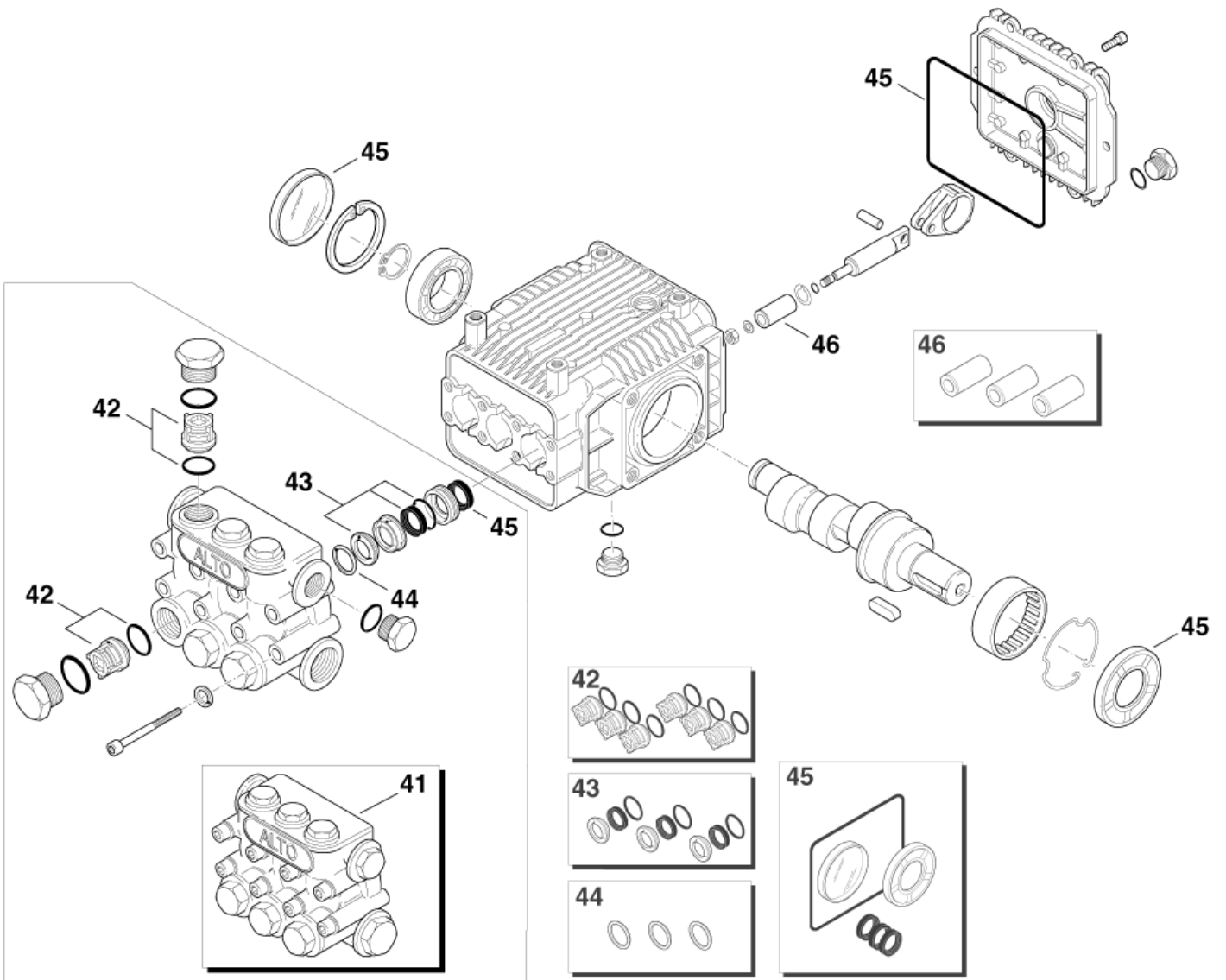
Pump kits

NEPTUNE 3

16-05-2011

Part List ID
NEPT309

19



Pump kits

NEPTUNE 3

16-05-2011

Part List ID

NEPT309

20

Pos	Part no.	Qty	Description		EAN
41	301001586	1	CYLINDER HEAD COMPLETE FO	3-17 CLASSIC, 3-20	4005337052
41	301001587	1	VALVE BLOCK COMPL. Ø 15MM	3-22, 3-23, 3-26, 3-30, 3-30 CLASSIC, 3-33, 3-33 C	4005337052
41	301001588	1	VALVE BLOCK COMPL. Ø18MM	3-25, 3-38, 3-41	4005337052
42	301001494	1	Valve kit 6 pcs w ith o-rings		4005337048
43	301001489	1	KIT PISTON SEALING Ø 15	3-17 CLASSIC, 3-20, 3-22, 3-23, 3-26, 3-30, 3-30 C	4005337048
43	301001490	1	KIT PISTON SEALING Ø 18	3-25, 3-38, 3-41	4005337048
44	301001492	1	KIT SUPPORT RING Ø15 3	3-17 CLASSIC, 3-20, 3-22, 3-23, 3-26, 3-30, 3-30 C	4005337048
44	301001493	1	KIT SUPPORT RING Ø18 3	3-25, 3-38, 3-41	4005337048
45	301001491	1	KIT OIL SEALING		4005337048
46	301001487	1	KIT PISTON Ø 15	3-17 CLASSIC, 3-20, 3-22, 3-23, 3-26, 3-30, 3-30 C	4005337048
46	301001488	1	KIT PISTON Ø 18	3-25, 3-38, 3-41	4005337048

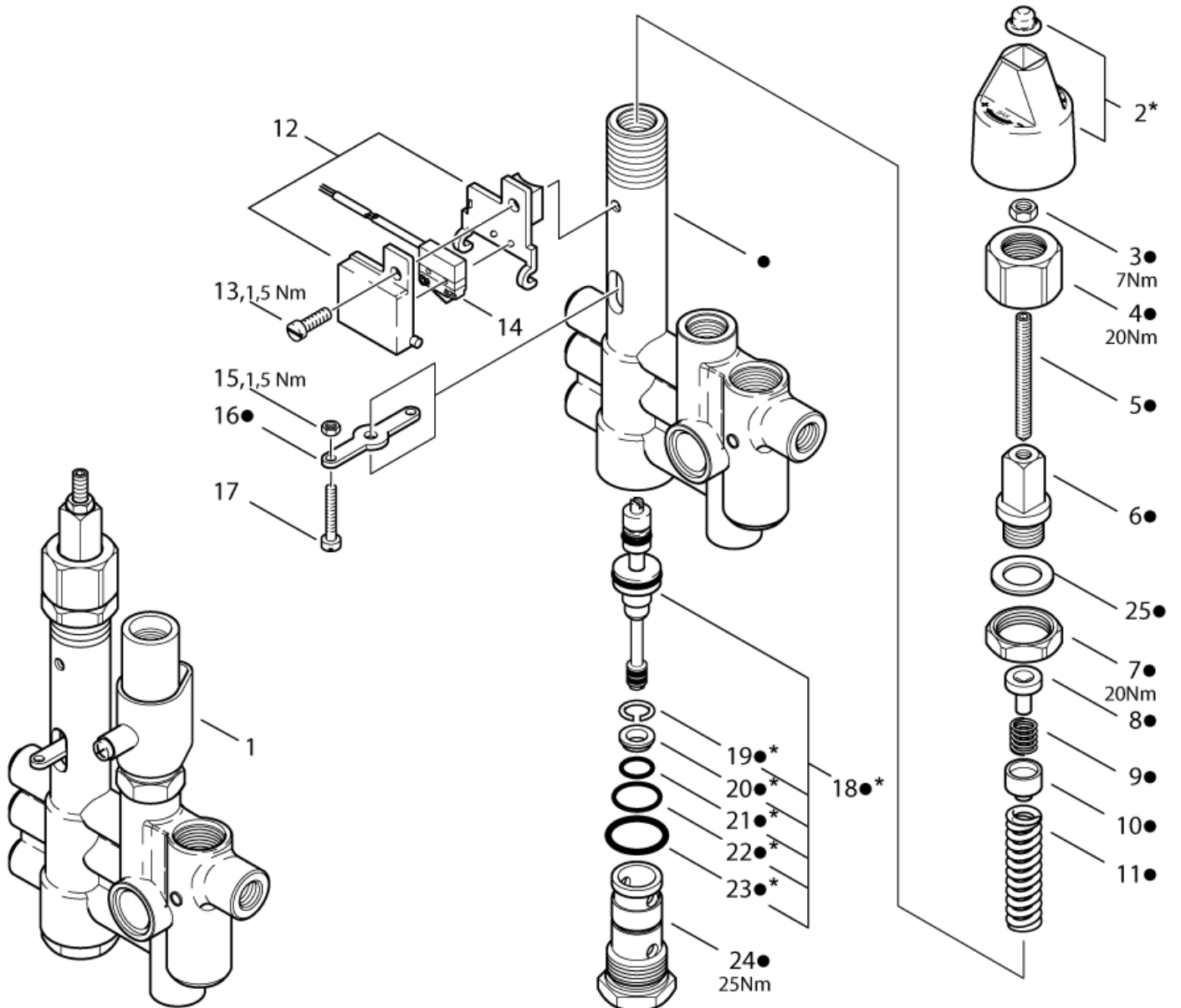
Control safety block (a)

NEPTUNE 3

16-05-2011

Part List ID
NEPT306

21



Control safety block (a)

NEPTUNE 3

16-05-2011

Part List ID
NEPT306

22

Pos	Part no.	Qty	Description		EAN
1	301001810	1	UNLOADER VALVE NEPTUNE 3 -7	includes o	4005337066
2	62397	1	ROTARY KNOB	*	4005337623
3	3136	1	HEXAGON NUT M6	o	4005337031
4	62710	1	UNION NUT M24X1,5X21	o	4005337627
5	62711	1	HEADLESS SCREW M6X60 DIN 914 ST/ZN	o	4005337627
6	62712	1	HOLLOW SCREW M16X1X9	o	4005337627
7	62696	1	HEXAGON NUT M24X1.5X6	o	4005337626
8	62695	1	SPRING SUPPORT	o	4005337626
9	62713	1	SPRING	o	4005337627
10	62694	1	SPRING SUPPORT	o	4005337626
11	40972	1	SPRING 3,5X10,5X54	o	4005337409
12	62401	1	HOUSING FOR MICRO SWITCH		4005337624
13	3349	1	640EW M5X16		4005337033
14	301000731	1	MICRO SWITCH 250V		4005337691
15	2759	1	HEXAGON NUT M4		4005337027
16	62717	1	CONTACT STUD	o	4005337627
17	5076	1	SCREW M4X25		4005337050
18	64314	1	REPAIR KIT	o*	4005337643
19	909100001	1	RING Ø14	o*	4005337003
20	62708	1	VALVE SEAT Ø8,5/Ø11,4/Ø1	o*	4005337627
21	49461	1	O-RING 11.0x1.5 NBR90	o*	4005337494
22	9523	1	O-RING 17.0x1.5 NBR70	o*	4005337095
23	32091	1	O-RING 21.0x2.0 DIN 3770 NBR70	o*	4005337320
24	64301	1	HOLLOW SCREW M24X1.5	o	4005337643
25	103004451	1	VULCAN FIBRE WASHER Ø16X20X1.5 DIN 7737		5715492081
99	301001850	1	REPAIR KIT DISCHARGER VALVE	consisting of: *	4005337066

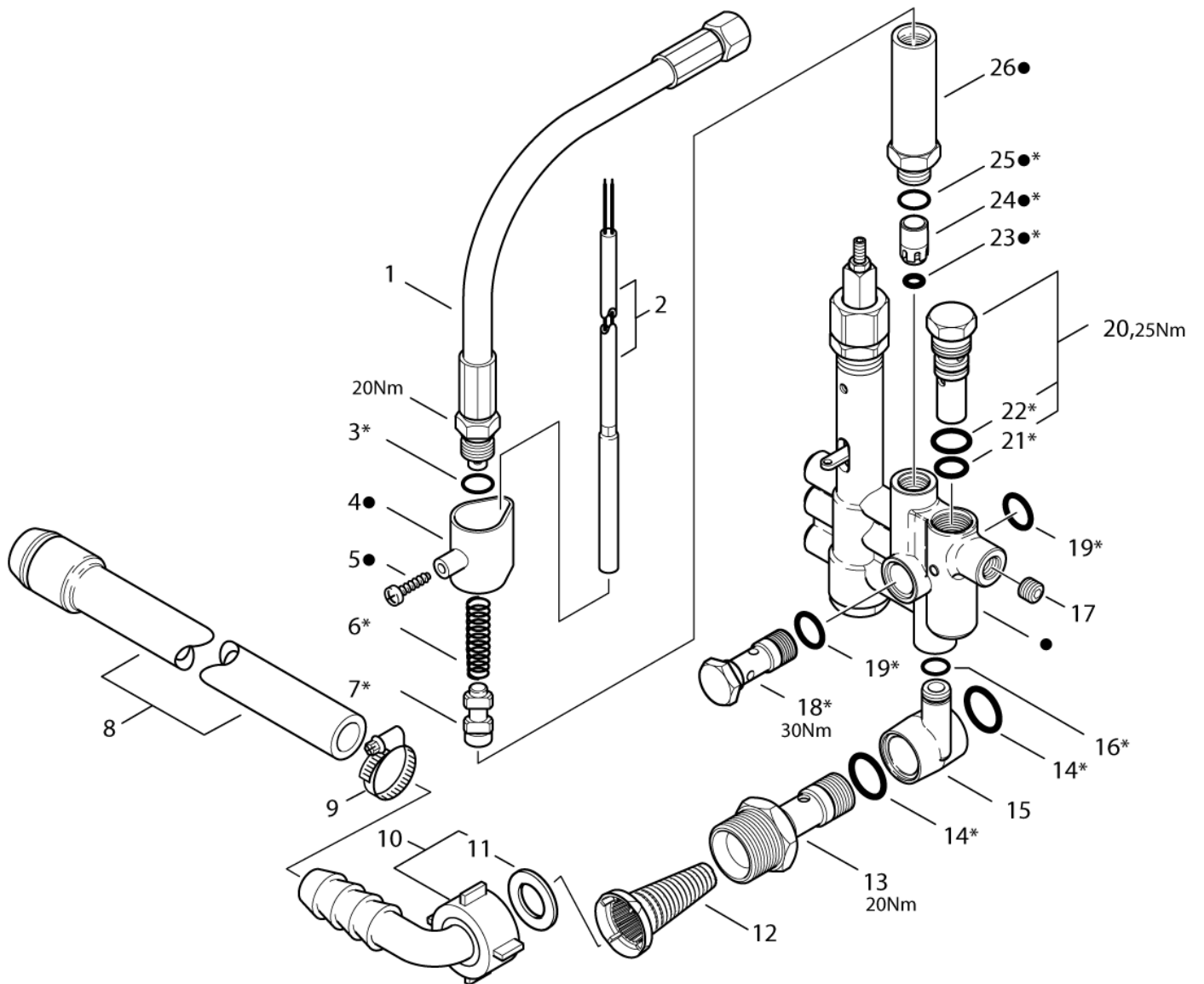
Control safety block (b)

NEPTUNE 3

16-05-2011

Part List ID
NEPT307

23



Control safety block (b)

NEPTUNE 3

16-05-2011

Part List ID
NEPT307

24

Pos	Part no.	Qty	Description		EAN
-	301001810	1	UNLOADER VALVE NEPTUNE 3 -7	includes o	4005337066
-	301001850	1	REPAIR KIT DISCHARGER VALVE	consisting of: *	4005337066
1	301000854	1	HP-HOSE 8X610		4005337022
2	301002458	1	REED CONTACT 8X75		4005337087
3	62706	1	O-RING 13.0x2.0 DIN 3770 NBR70	*	4005337627
4	62399	1	HOLDER FOR FLOW SENSOR	o	4005337623
5	10028	1	SCREW 5X14	o	4005337100
6	6231	1	SPRING 0,5X11X44	*	4005337062
7	62724	1	CONTACT PISTON	*	4005337627
8	301000713	1	SUCTION HOSE Ø 22X295		4005337021
9	8298	1	HOSE CLIP 16-27		4005337082
10	5613	1	HOSE NOZZLE		4005337056
11	15587	1	PACKING RING 14X24X2		4005337155
12	101117926	1	FILTER		4005337177
13	301001297	1	HOLLOW SCREW G1/2-G3/4X72 SW30 PA		4005337045
14	24347	2	O-RING 21.0x2.5 DIN 3770 FPM80		4005337243
15	301001296	1	RETURN LINE Ø30X34X43		4005337045
16	13739	1	O-RING 10X2 DIN 3770 NBR70	*	4005337137
17	30993	1	PLUG G1/4		4005337309
18	62697	1	HOLLOW SCREW G3/8	*	4005337626
19	16443	2	O-RING 17.0x2.0 DIN 3770 NBR70	*	4005337164
20	301000911	1	SAFETY VALVE 250 BAR	3-38, 3-41	4005337023
20	62729	1	SAFETY VALVE 250BAR	3-33, 3-33 CLASSIC	4005337627
20	62730	1	SAFETY VALVE 200BAR	3-17 CLASSIC, 3-20, 3-22, 3-23, 3-25, 3-26, 3-30,	4005337627
21	62706	1	O-RING 13.0x2.0 DIN 3770 NBR70	*	4005337627
22	16443	1	O-RING 17.0x2.0 DIN 3770 NBR70	*	4005337164
23	56519	1	O-RING 6.5x3.0 SMS 1586 NBR90	o*	4005337565
24	301000905	1	PISTON Ø14,6X25,5	o*	4005337023
25	16998	1	O-RING 14.0x1.5 NBR70	o*	4005337169
26	62722	1	FITTING	o	4005337627

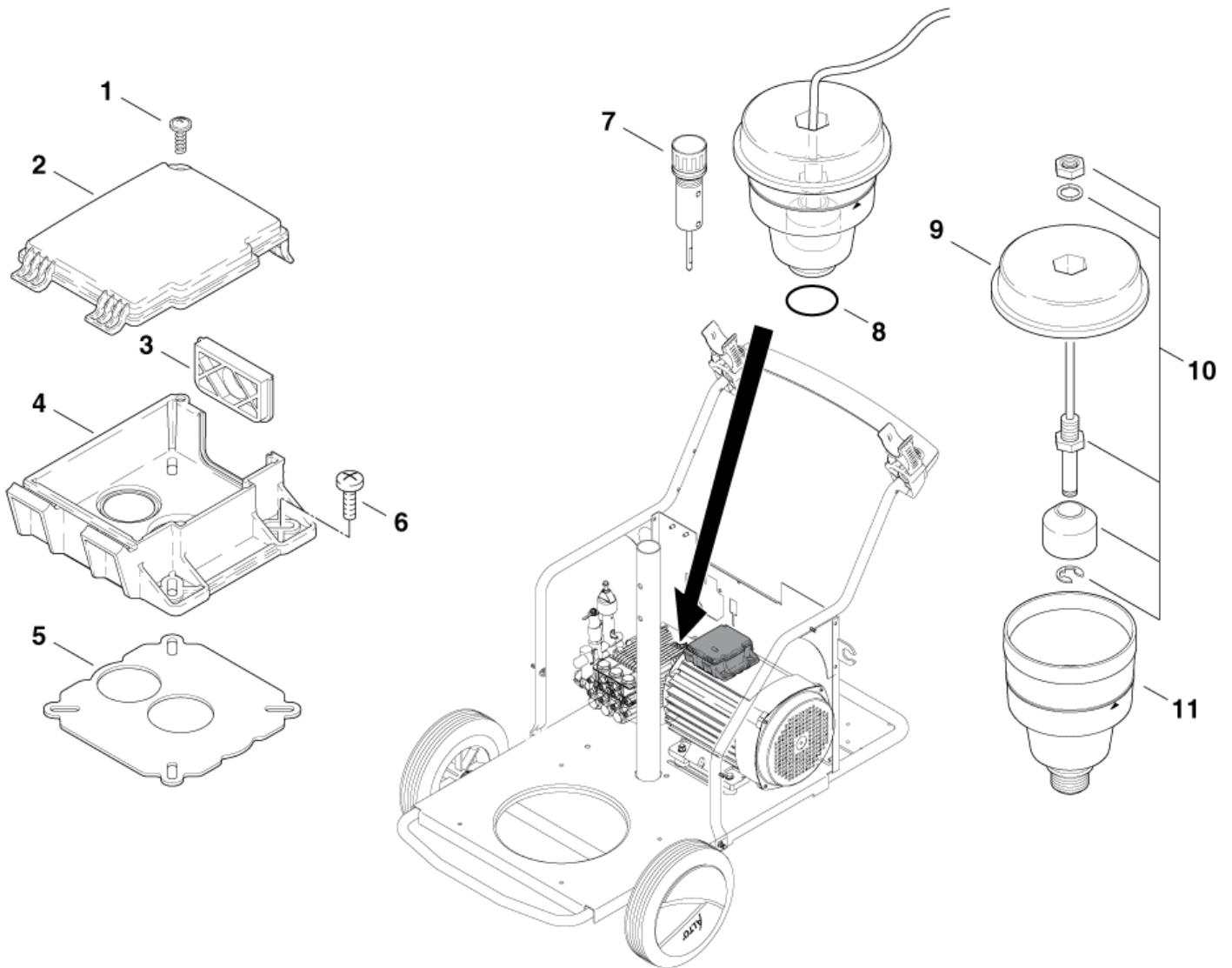
Electric box (motor)

NEPTUNE 3

16-05-2011

Part List ID
NEPT305

25



Electric box (motor)

NEPTUNE 3

16-05-2011

Part List ID

NEPT305

26

Pos	Part no.	Qty	Description		EAN
-		1	NOTE COMMENT	Pump oil SAE 15W40 *	5701715456
1	10028	1	SCREW 5X14		4005337100
2	301000782	1	COVER ELEC.BOX 128,2X112,		4005337022
3	17106	1	INSET		4005337171
4	301000781	1	ELECTRIC BOX		4005337022
5	301000845	1	GASKET FOR ELECTRIC BOX 100.50X114X1MM N		4005337022
6	32535	4	SCREW M5X16		4005337325
7	301001460	1	OIL LEVEL STICK G3/8	3-22, 3-17 CLASSIC, 3-30 CLASSIC, 3-33 CLASSIC	4005337045
8	19690	1	O-RING 19.0x1.8 DIN 3771 NBR70	3-20, 3-23, 3-25, 3-26, 3-30, 3-33, 3-38, 3-41	4005337196
9	301000615	1	COVER/SWITCH 70X15,5	3-20, 3-23, 3-25, 3-26, 3-30, 3-33, 3-38, 3-41	4005337022
10	301001196	1	FLOAT SWITCH	3-20, 3-23, 3-25, 3-26, 3-30, 3-33, 3-38, 3-41	4005337035
11	301000614	1	PUMP OIL CONTAINER Ø66,8X	3-20, 3-23, 3-25, 3-26, 3-30, 3-33, 3-38, 3-41	4005337022

* Pump oil SAE 15W 40, 3-22: 0,45 l, 3-23, 3-26, 3-33, 3-41: 1,0 l

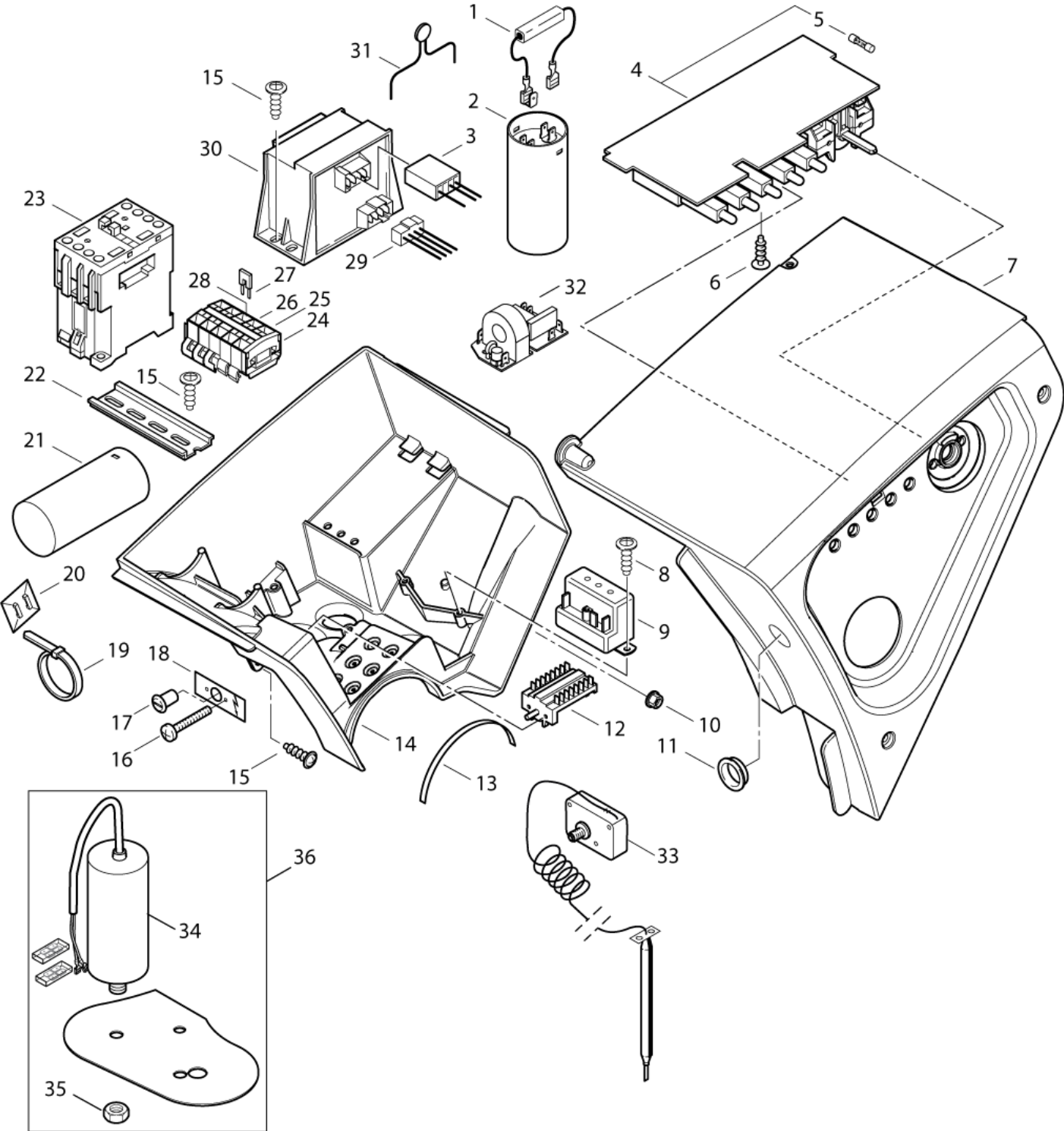
Electric box

NEPTUNE 3

16-05-2011

Part List ID
NEPT311

27



Electric box

NEPTUNE 3

16-05-2011

Part List ID
NEPT311

28

Pos	Part no.	Qty	Description		EAN
1	301000402	1	RESISTANCE 15KOHM7W	3-17, 3-20, 3-23, 3-25, 3-26, 3-30, 3-30 CLASSIC	4005337680
2	301001056	1	STARTING CAPACITOR 98MF 330V W/O BOLT	3-17, 3-20, 3-23, 3-25, 3-26, 3-30, 3-30 CLASSIC	4005337030
3	301001236	1	CABLE TRANSFO 2-POL, PRIM	3-17 CLASSIC, 3-20, 3-22, 3-23, 3-25, 3-26, 3-30,	4005337038
3	301001237	1	WIRE 2-POL./400V	400/3/50 3-33, 3-33 CLASSIC, 3-41 *EU*, 3-38 *JP*	4005337038
3	301001238	1	WIRE 3-POL.	230/400/3/50 3-33, 3-41 *BE*NO*	4005337038
4	301001230	1	MAIN CIRCUIT BOARD	3-17 CLASSIC, 3-22, 3-30 CLASSIC, 3-33 CLASSIC	4005337038
4	301001231	1	MAIN CIRCUIT BOARD	3-20, 3-23, 3-25, 3-26, 3-30, 3-33, 3-38, 3-41	4005337038
5	103821729	1	FUSE 5X20 2A T 250V		4005337181
5	3812385	1	FUSE 5X20 6.3A		5701715043
6	16860	1	SCREW 4X12		4005337168
7	301001212	1	COVER EL.BOX		4005337046
8	16860	2	SCREW 4X12	3-17, 3-20, 3-23, 3-25, 3-26, 3-30, 3-30 CLASSIC	4005337168
9	11060	1	STARTER RELAY 220V AC	3-17, 3-20, 3-23, 3-25, 3-26, 3-30, 3-30 CLASSIC	4005337110
10	12496	1	HEXAGON NUT M6		4005337172
11	63800	1	PLUG 24.3X26.4	230/400/3/50 3-33, 3-41 *BE*NO*	4005337638
12	301000293	1	SWITCH START/TRIANGLE 16	230/400/3/50 3-33, 3-41 *BE*NO*	4005337672
13	301001811	1	GASKET 500X7X2		4005337066
14	301001210	1	ELECTRICAL CONTROL BOX N		4005337043
15	10028	5	SCREW 5X14		4005337100
16	40045	2	PAN HEAD SCREW M4X30	230/400/3/50 3-33, 3-41 *BE*NO*	4005337400
17	64580	1	ROTARY KNOB	230/400/3/50 3-33, 3-41 *BE*NO*	4005337645
18	64586	1	LABEL	230/400/3/50 3-33, 3-41 *BE*NO*	4005337645
19	15884	2	CABLE STRAP 4,7X1,3X350	3-22	4005337158
20	2423	2	ADHESIVE CLIP	3-22	4005337024
21	3821343	1	CAPACITOR 50AF	3-22	5701715044
22	22290	1	MOUNTING RAIL TS35 ST/ZN	PLEASE INDICATE LENGTHS IN METRES WHEN ORDERING	4005337222
23	103822301	1	CONTACTOR CJX2-D12-B7 24V	400/3/50 3-33, 3-33 CLASSIC, 3-41 *EU*, 3-22 *EU*G	4005337165
23	103822306	1	CONTACTOR CJX2-D18-B7 24V	230/400/3/50 3-33, 3-41 *BE*NO*, 3-20, 3-25, 3-26	4005337178
23	103822313	1	CONTACTOR 12-25A 50/60HZ 24V	3-25 110V	
24	301000689	1	END PLATE GREY 4MM TYP 264		4005337691
25	301000688	1	WIRE TERMINAL 4X2.5MM	230/400/3/50 3-33, 3-41 *BE*NO*, 3-22, 3-23, 3-26,	4005337691
26	301000687	2	WIRE TERMINAL 2X2.5MM	3-22, 3-23, 3-26	4005337691
27	301000683	1	JUMPER	400/3/50 3-33, 3-33 CLASSIC, 3-41 *EU*	4005337691
28	301000686	2	WIRE TERMINAL 4X2,5MM T		4005337691
29	301000722	1	WIRE H07V-K		4005337691
30	301000681	1	TRANSFORMER 230/400-24/8V		4005337691
30	301001059	1	TRANSFORMER 220AT 460V 24	3-26 60Hz	4005337030
30	301001060	1	TRANSFORMER 115AT 200V 2	3-17 CLASSIC, 3-20, 3-38	4005337030
31	301002353	1	INRUSH CURRENT LIMITER 5 OHM / 5W		4005337083
32	301001991	1	CIRCUIT BOARD 1PH 24V AC	3-25 110V	4005337070
33	101117723	1	EXH LIMIT SWITCH		4005337160
34	101117946	1	CAPACITOR 100UF 450V W. STUD 1100MM CABL		4005337177

Electric box

NEPTUNE 3

16-05-2011

Part List ID

NEPT311

29

Pos	Part no.	Qty	Description	EAN
35	61467	1	HEXAGON NUT M8	4005337614
36	101117990	1	START KIT FOR NEPTUNE 3/4	4005337181

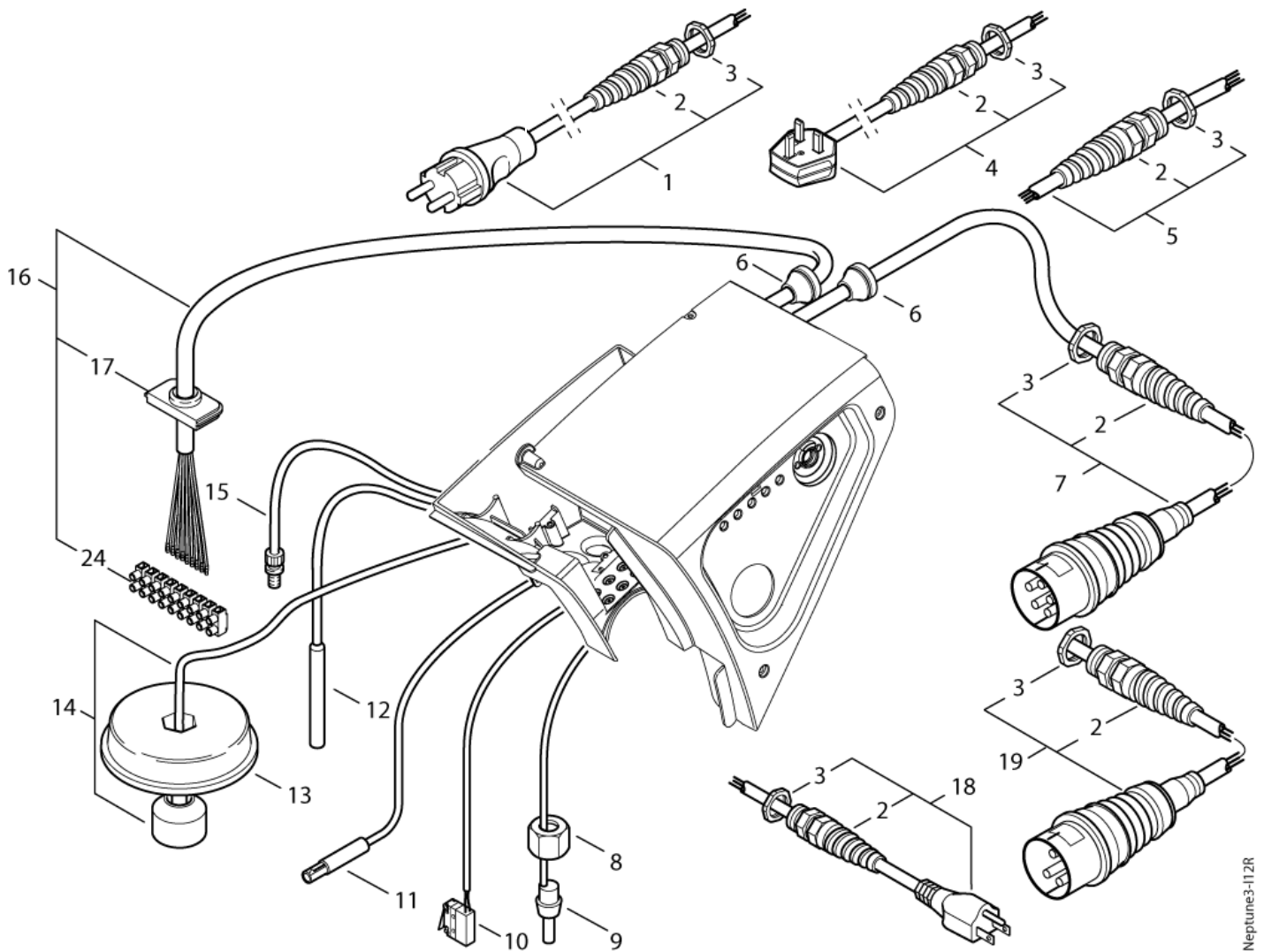
Electric box cables

NEPTUNE 3

16-05-2011

Part List ID
NEPT312

30



Electric box cables

NEPTUNE 3

16-05-2011

Part List ID
NEPT312

31

Pos	Part no.	Qty	Description		EAN
1	301000829	1	POWER CORD H07RN-F 3G1.5X6.0	230/1/50 3-22, 3-26 *EU*KR*	4005337021
2	909100043	1	CABLE SCREWING W. ANTIBUC. M20X1.5		4005337679
2	909100198	1	SCREWED CABLE GLAND M25X1.5	3-25 110V	4005337056
3	909100019	1	HEXAGON THIN NUT M20X1.5 EN 50262 PA		4005337016
3	909100020	1	HEXAGON THIN NUT M25X1.5 EN 50262 PA	3-25 110V	4005337017
4	301000912	1	POWER CORD H07RN-F 3G1.5X6.0	230/1/50 3-22, 3-23 *GB*, 3-25	4005337023
5	301000833	1	POWER CORD H07RN-F 4G2.5X6.0	230/400/3/50 3-33, 3-41 *BE*NO*	4005337021
5	301001913	1	POWER CORD VCT 4X2.0X11	3-38	4005337068
6	3803780	2	GROMMET 10-14C		5701715007
7	301000834	1	POWER CORD H07RN-F4G1.5X6	400/3/50 3-33, 3-33 CLASSIC, 3-41 *EU*	4005337021
8	1081	1	UNION NUT L 12		4005337010
9	301000730	1	TEMPERATURE SENSOR		4005337691
10	301000731	1	MICRO SWITCH 250V		4005337691
11	301000729	1	FLAME SENSOR	Option	4005337691
12	301002458	1	REED CONTACT 8X75		4005337087
13	301000615	1	COVER/SWITCH 70X15,5	3-20, 3-23, 3-25, 3-26, 3-30, 3-33, 3-38, 3-41	4005337022
14	301001196	1	FLOAT SWITCH	3-20, 3-23, 3-25, 3-26, 3-30, 3-33, 3-38, 3-41	4005337035
15	301000732	1	THERMO FUSE 108 DEGREE W/WIRE		4005337691
16	101117846	1	MOTOR CABLE 9-WIRE 1PH AWG14	3-25 110V	4005337185
16	101117847	1	MOTOR CABLE 9-WIRE 3PH AWG14	3-38	4005337185
16	101117848	1	NEPTUNE MOTOR CABLE 7-WIRE 1PH 1.5MM2	3-17, 3-20, 3-23, 3-25, 3-26, 3-30, 3-30 CLASSIC,	4005337185
16	101117849	1	NEPTUNE MOTOR CABLE 9-WIRE 3PH 1.5MM2	400/3/50 3-33, 3-33 CLASSIC, 3-41 *EU*	4005337185
16	101117851	1	NEPTUNE MOTOR CABLE 9-WIRE 3PH 1.5MM2	230/400/3/50 3-33, 3-41 *BE*NO*	4005337185
16	101117859	1	NEPTUNE MOTOR CABLE 7-WIRE 1PH 1.5MM2	3-17 CLASSIC, 3-22 *EU*GB*	4005337185
17	17106	1	INSET		4005337171
18	301002393	1	POWER CORD SJTW-A AWG14/3X11.5M	3-17 CLASSIC	4005337086
18	3821142	1	POWER CORD SJTWA WG 12/3X11	3-30, 3-30 CLASSIC	5701715008
18	3821316	1	POWER CORD AWG12/3X11 SJTOW	3-20	4005337115
19	301001992	1	POWER CORD H07BQ-F 3G4X6.0 CEE 32A4H	3-25 110V	4005337070
24	101117839	1	TERMINAL PLUG AND TERMINAL PINS		4005337179

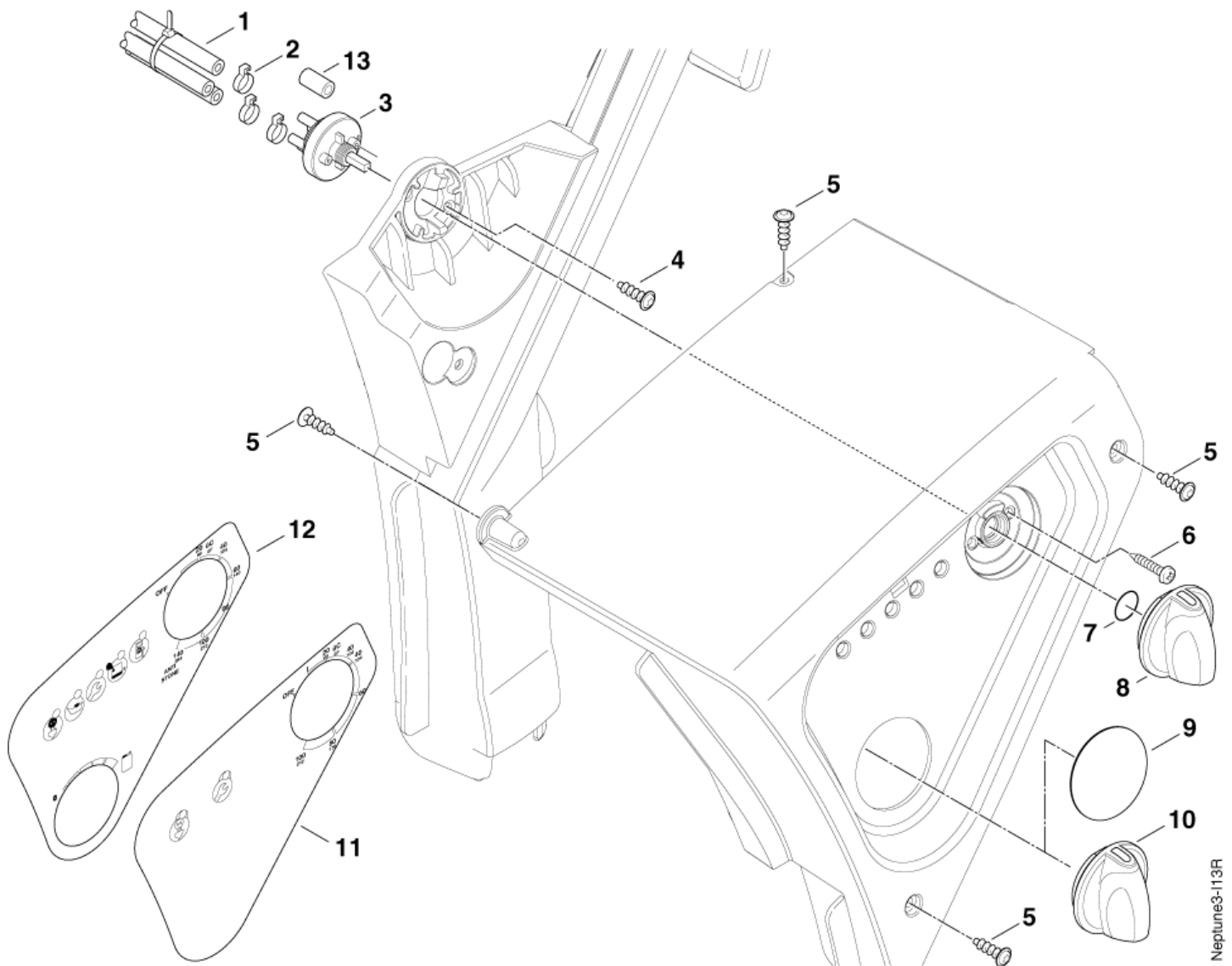
Cover electric box

NEPTUNE 3

16-05-2011

Part List ID
NEPT313

32



Cover electric box

NEPTUNE 3

16-05-2011

Part List ID
NEPT313

33

Pos	Part no.	Qty	Description	EAN
1	101406100	1	HOSE DN 6X3 5M	4005337163
2	11654	3	HOSE CLAMP DIA 11,5	4005337116
3	301001000	1	VALVE 51X70	4005337028
4	1814730	2	SCREW 30X10B	5701715363
5	1814614	5	PT-SCREW K50X16 WN1451 - FZB	5701715208
6	19527	2	COUNTERSUNK SCREW M4X10 ISO 7046 ZN	4005337195
7	9868	1	O RING DIA 10X2,5	4005337098
8	909100204	1	ROTARY KNOB 6X5 BLUE	4005337689
9	301001681	1	COVER PLATE 52.5X4	3-17 CLASSIC, 3-22, 3-30 CLASSIC, 3-33 CLASSIC 4005337066
10	909100214	1	ROTARY KNOB GR.1 4KT. 6X6+8X8 BLUE	3-20, 3-23, 3-25, 3-26, 3-30, 3-33, 3-38, 3-41 4005337026
11	301001226	1	LABEL CONTROL PANEL	3-17 CLASSIC, 3-22, 3-30 CLASSIC, 3-33 CLASSIC 4005337046
12	301001227	1	LABEL CONTROL PANEL	3-20, 3-23, 3-25, 3-26, 3-30, 3-33, 3-38, 3-41 4005337046
13	301001906	1	CLOSING CAP Ø12X21.5	4005337068

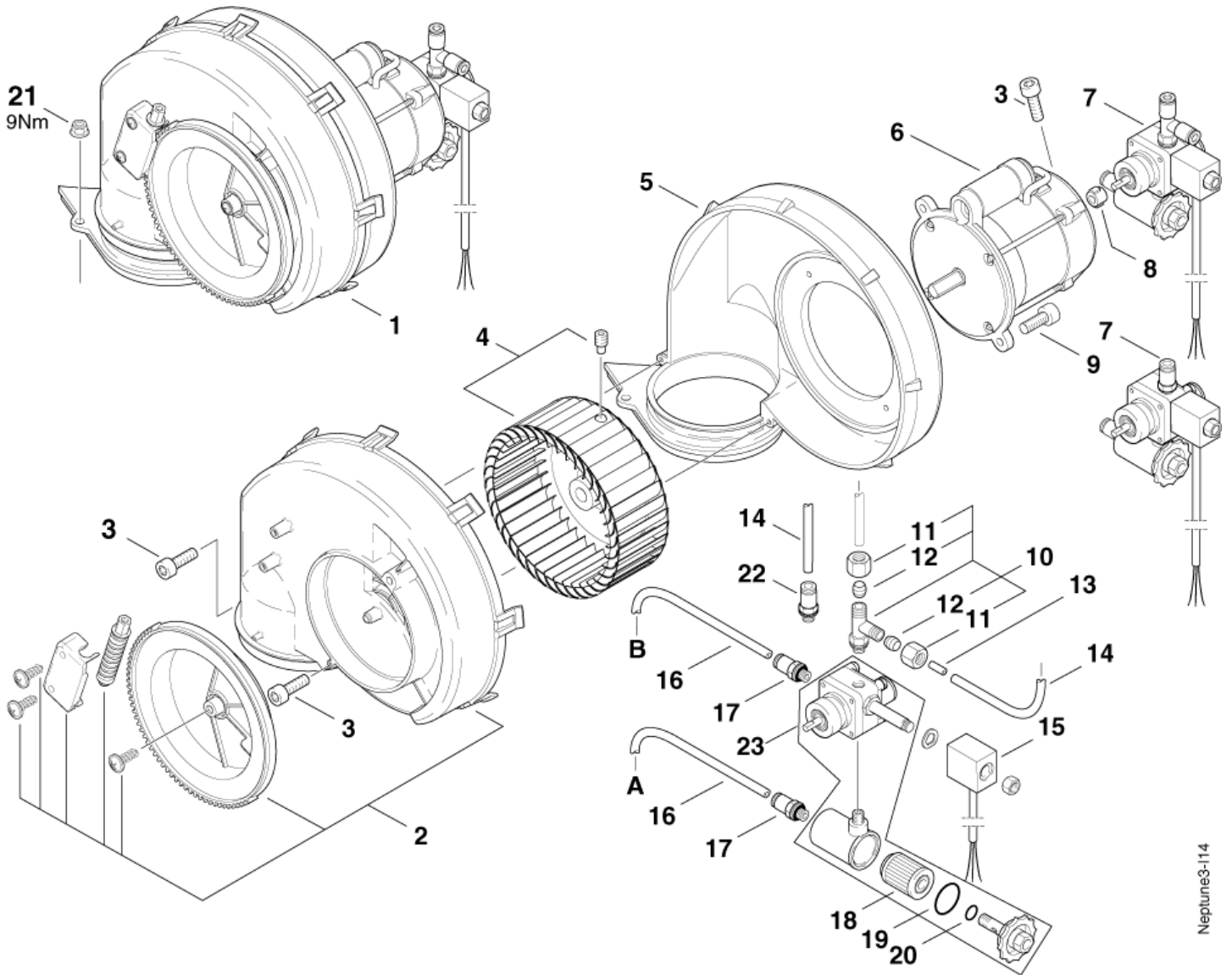
Burner unit

NEPTUNE 3

16-05-2011

Part List ID
NEPT314

34



Burner unit

NEPTUNE 3

16-05-2011

Part List ID
NEPT314

35

Pos	Part no.	Qty	Description	EAN
1	301000908	1	BURNER FAN HOUSING *EU*BE*NO* 3-22, 3-26, 3-33, 3-33 CLASSIC, 3-41	4005337023
1	301001358	1	BURNER FAN HOUSING Kerosine *GB* 230V 3-22, 3-23, 3-25	4005337041
1	301001377	1	BURNER FAN HOUSING Kerosine 3-17 CLASSIC, 3-20, 3-25 110V	4005337041
1	301001395	1	BURNER FAN HOUSING Kerosine 3-26 60 Hz, 3-30, 3-30 CLASSIC, 3-38	4005337041
2	301000852	1	COVER FOR FAN HOUSING	4005337022
3	32535	3	SCREW M5X16	4005337325
4	301000889	1	FAN WHEEL Ø160X60	4005337023
4	301002126	1	FAN WHEEL 3-17 CLASSIC, 3-20, 3-25 110V	4005337078
5	301000495	1	FAN HOUSE	4005337022
6	301000880	1	BURNER ENGINE 3-17 CLASSIC, 3-20, 3-25 110V	4005337022
6	301000881	1	MOTOR 390W 200-220V 50-60HZ 3-26 60Hz, 3-30, 3-30 CLASSIC, 3-38	4005337022
6	301000882	1	BURNER MOTOR 180W 230V 50HZ	4005337023
7	101117988	1	OIL PUMP SP55B 431 KIT *EU*BE*NO*	4005337180
7	101117989	1	OIL PUMP SP55B 4316M KIT *GB*US*KR*JP*	4005337180
8	1226	1	COUPLING	4005337012
9	4697	2	SCREW M6X16	4005337046
10	909100142	1	THREADED JOINT L-TYPE =>31.03.2005]	4005337025
11	1603430	2	UNION NUT =>31.03.2005]	5701715024
12	1603448	2	CUTTING RING L4 =>31.03.2005]	5701715024
13	301000914	1	SUPPORT 4X14 3-23, 3-25, 3-26, 3-33, 3-41=>31.03.2005	4005337025
13	301001180	1	PLUG 4 '=>31.03.2005] '3-22	4005337034
14	909100141	1	PIPE Ø 4X1 PLEASE INDICATE LENGTHS IN METRES WHEN ORDERING	4005337023
15	101117987	1	SOLENOID 24V KIT	4005337180
16	17710	1	TUBE DN6X1 PA DIN 73378 PLEASE INDICATE LENGTHS IN METRES WHEN ORDERING	4005337177
17	29599	2	UNION PIECE Ø 6 G1/8R12	4005337295
18	1756	1	FILTER CARTRIDGE	4005337017
19	40907	1	O-RING 31.47x1.78 ARP AS 568 A NBR70	4005337409
20	9868	1	O RING DIA 10X2,5	4005337098
21	12496	2	HEXAGON NUT M6	4005337172
22	301002070	1	UNION PIECE 4/G1/8 01.04.2005=>	4005337076
23	301002100	1	BASE-FUEL PUMP WITH FILTER Kerosine	4005337079
23	301002101	1	BASE-FUEL PUMP WITH FILTER	4005337079

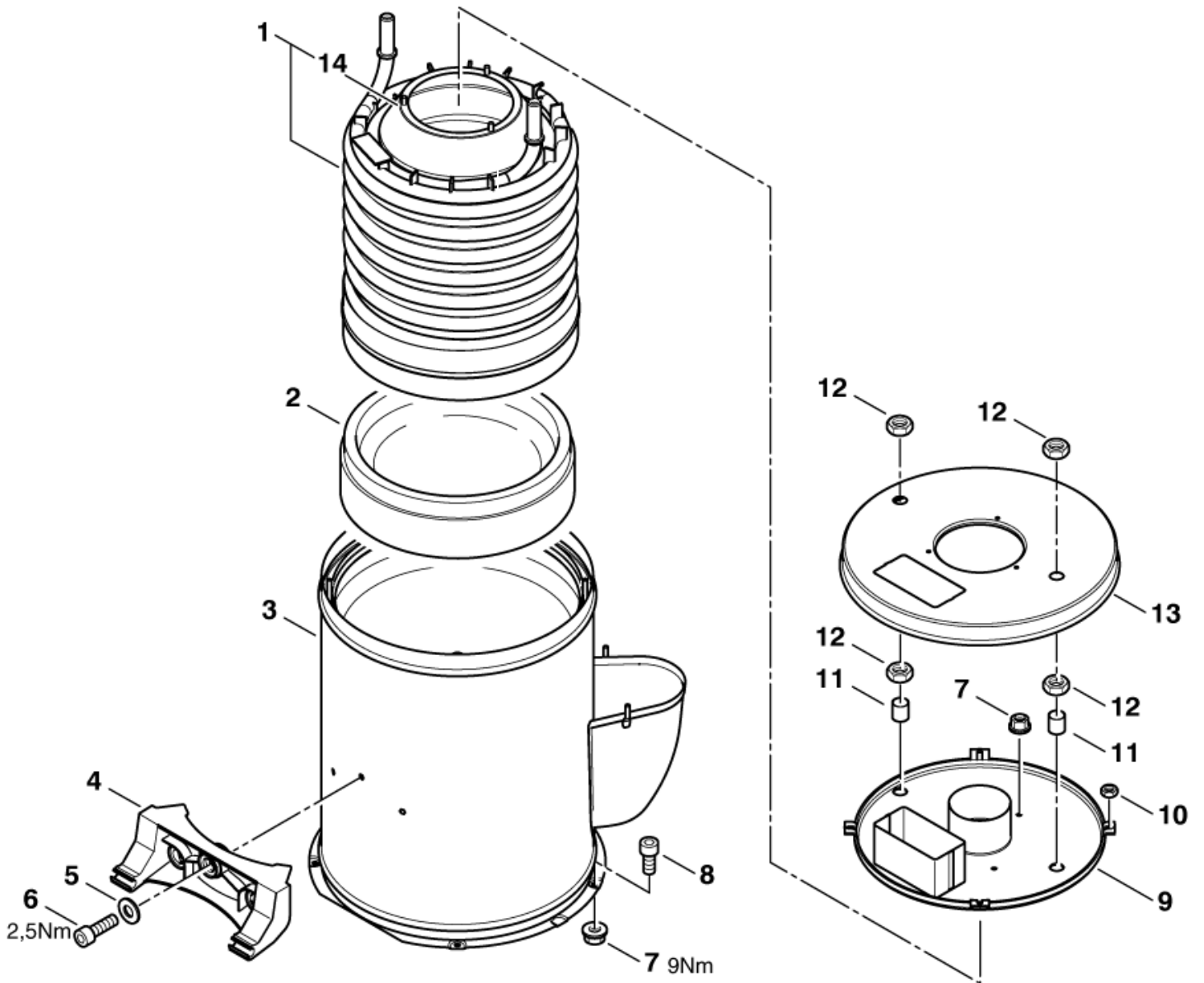
Heat exchanger

NEPTUNE 3

16-05-2011

Part List ID
NEPT315

36



Heat exchanger

NEPTUNE 3

16-05-2011

Part List ID
NEPT315

37

Pos	Part no.	Qty	Description	Option	EAN
1	301001370	1	COIL STAINLESS NEPTUNE	Option	4005337052
1	301001371	1	CALORIFIER KIT NEPTUNE		4005337052
2	301001367	1	INSULATION Ø310X79		4005337052
3	301001364	1	BOILER SHELL CPL. NEPTUNE		4005337052
4	301001260	1	ROTATION ELEMENT 263X112X87	PA	4005337043
5	2763	3	WASHER 5.3X1		4005337027
6	3873	3	SCREW M5X30		4005337038
7	12496	7	HEXAGON NUT M6		4005337172
8	3913	4	SCREW M6X12		4005337039
9	301001773	1	BOILER COVER INNER		4005337061
10	12263	4	HEXAGON NUT M6		4005337031
11	301000582	2	BUSHING Ø22X1.5X24		4005337024
12	7012	4	HEXAGON NUT M18X1,5		4005337070
13	301000534	1	BOILER COVER OUTER		4005337031
14	301000541	1	SHIELDING CONE		4005337065

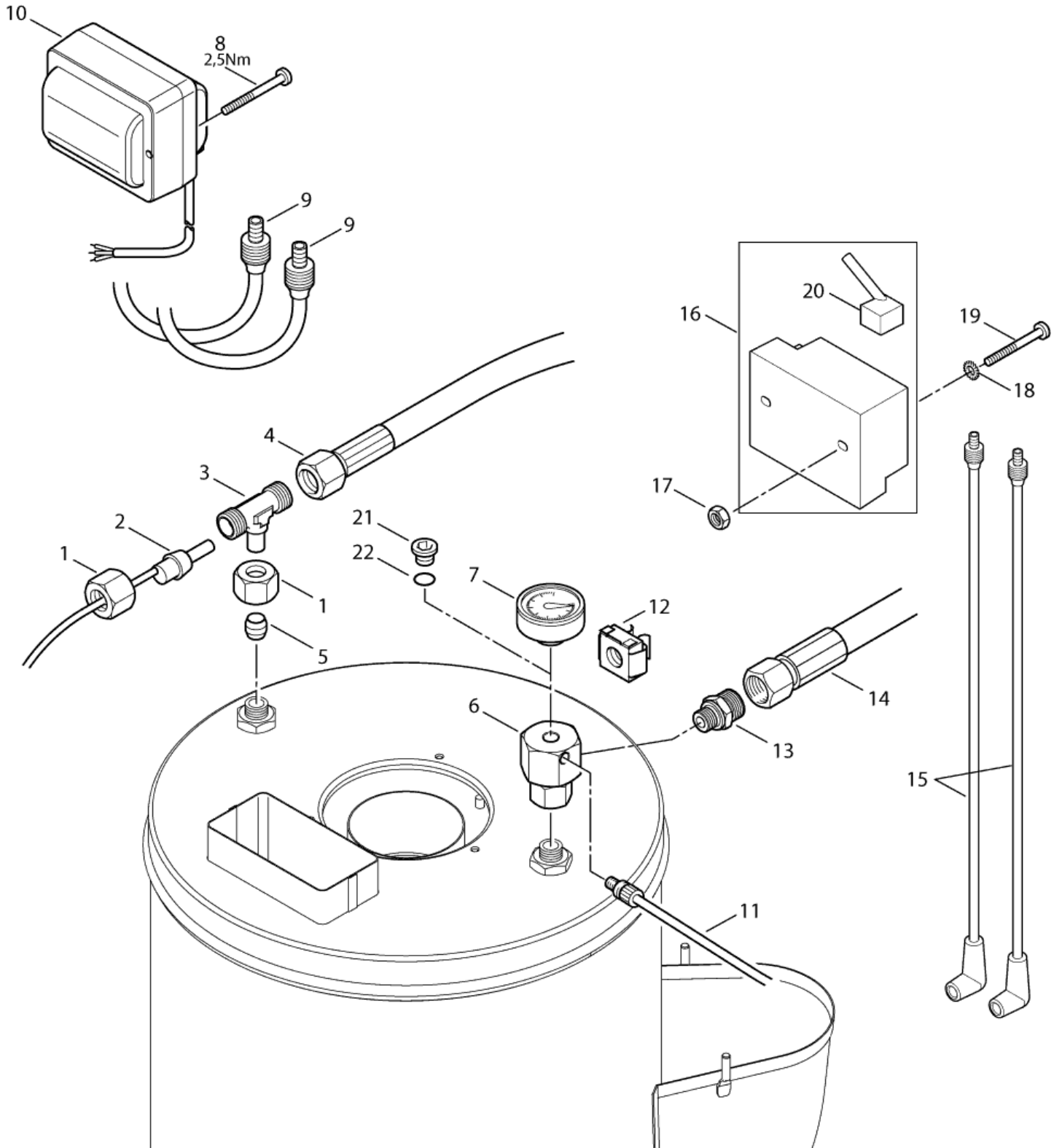
Distributor, ignition transformer

NEPTUNE 3

16-05-2011

Part List ID
NEPT316

38



Distributor, ignition transformer

NEPTUNE 3

16-05-2011

Part List ID

NEPT316

39

Pos	Part no.	Qty	Description		EAN
1	1081	2	UNION NUT L 12		4005337010
2	301000730	1	TEMPERATURE SENSOR		4005337691
3	4102	1	SCREWING		4005337041
4	301000855	1	HP-HOSE Ø8X650		4005337022
5	1080	1	RING L 12		4005337010
6	301001280	1	DISTRIBUTOR		4005337049
7	301000246	1	MANOMETER 0-300 BAR	3-20, 3-23, 3-25, 3-26, 3-30, 3-33, 3-38, 3-41	4005337671
8	1809821	2	SCREW M5X50 DIN 7985		5701715030
9	301000858	2	IGNITION CORD Ø7X500	Before feb. 2007 serial no. 2006190523	4005337022
10	301000879	1	IGNITION TRANSFORMER	Before feb. 2007 serial no. 2006190523	4005337022
10	301002459	1	IGNITION TRANSFORMER 110/120V 50/60HZ	3-17, 3-20, 3-25 110V	4005337087
11	301000732	1	THERMO FUSE 108 DEGREE W/WIRE		4005337691
12	909100152	1	NUT M8		4005337031
13	3938	1	THREADED CONNECTION 1/4 INCH		4005337039
14	301000854	1	HP-HOSE 8X610		4005337022
15	101117760	1	IGNITION CORD 7X500 - DANFOSS 2 PCS	from feb. 2007 serial no. 2006190523	4005337155
16	101117660	1	IGNITION TRANSFORMER W/PRIMARY CORD	from feb. 2007 serial no. 2006190523	4005337158
16	301002656	1	IGN. TRANS. 220/240V 50/60HZ TRK1-20C VD	AU 230/1/50 (cable not included)	4005337112
17	2760	2	NUT M5 ISO 4032 ZN	from feb. 2007 serial no. 2006190523	4005337027
18	3376	2	SERRATED LOCK WASHER	from feb. 2007 serial no. 2006190523	4005337033
19	42236	2	CYLINDER SCREW M5X45 ISO 1207 ZN	from feb. 2007 serial no. 2006190523	4005337422
20	101117756	1	PRIMARY CABLE FOR IGNITION COIL		4005337155
21	33047	1	PLUG G1/8	3-17 CLASSIC, 3-22, 3-30 CLASSIC, 3-33 CLASSIC	4005337330
22	1605	1	PACKING RING 10X14	3-17 CLASSIC, 3-22, 3-30 CLASSIC, 3-33 CLASSIC	4005337016

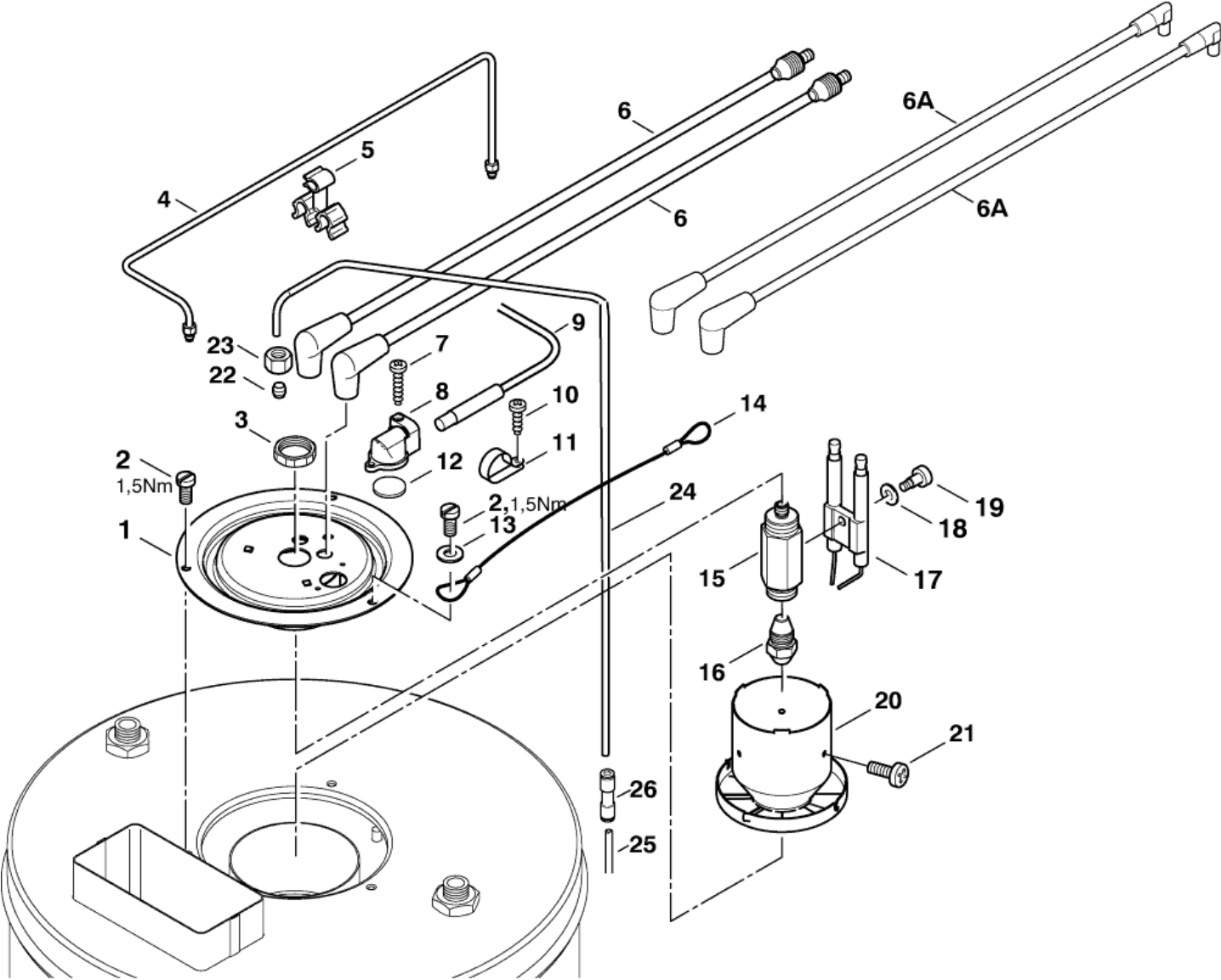
Burner head assy.

NEPTUNE 3

16-05-2011

Part List ID
NEPT317

40



Burner head assy.

NEPTUNE 3

16-05-2011

Part List ID

NEPT317

41

Pos	Part no.	Qty	Description		EAN
1	301000606	1	COVER Ø150X38		4005337022
2	4820	3	SCREW M5X10		4005337048
3	909100139	1	HEXAGON NUT M20X1 24X6 CUZN		4005337023
4	301001293	1	PIPE BENT Ø 4X100X339X67	=>31.03.2005	4005337048
5	301001073	1	Holder-pipe NEPTUNE	=>31.03.2005	4005337031
6	301000858	2	IGNITION CORD Ø7X500		4005337022
7	5606	1	SCREW 2.9X19		4005337056
8	301000934	1	HOLDER FLAMESENSOR		4005337025
9	301000729	1	FLAME SENSOR	Option	4005337691
10	4036	1	SHEET METAL SCREW 2.9X9		4005337040
11	301001069	1	HOLDER Ø 4,8		4005337031
12	301000933	1	SHEET METAL Ø20X3	See TSB MPW-073	4005337025
13	2763	1	WASHER 5.3X1		4005337027
14	301001680	1	ROPE 1X710		4005337060
15	301001548	1	HOLDER OIL ATOMIZER SW22X65.5		4005337059
16	2802712	1	NOZZLE 1,0 GAL/H 3,72KG/	3-17 CLASSIC, 3-20, 3-22, 3-23, 3-25, 3-26	5701715115
16	61659	1	OIL NOZZLE 1.25 GAL - 60 DEGREES	3-30, 3-30 CLASSIC, 3-33, 3-33 CLASSIC, 3-38, 3-41	4005337616
17	301150009	1	SPARE PART KIT FOR IGNITION ELECTRODE		4005337158
18	909100144	1	SPRING WASHER B5		4005337025
19	909100143	1	PAN HEAD SCREW M4X 4.5		4005337026
20	301001278	1	AIR DISTRIBUTOR Ø79X59.2	3-30, 3-30 CLASSIC, 3-33, 3-33 CLASSIC, 3-38, 3-41	4005337047
20	301001683	1	AIR DISTRIBUTOR Ø80X59.2	3-17 CLASSIC, 3-20, 3-22, 3-23, 3-25, 3-26	4005337060
21	51848	3	OVAL HEAD SCREW M3X4		4005337518
22	1603448	1	CUTTING RING L4	01.04.2005=>	5701715024
23	1603430	1	UNION NUT	01.04.2005=>	5701715024
24	301002072	1	PIPE BENDED Ø4X582	01.04.2005=>	4005337077
25	909100141	1	PIPE Ø 4X1	01.04.2005=> PLS. INDICATE LENGTH IN METRES	4005337023
26	301001912	1	UNION PIECE 4/4	01.04.2005=>	4005337068
6A	301002505	2	IGNITION CORD	from feb. 2007 serial no. 2006190523	4005337104

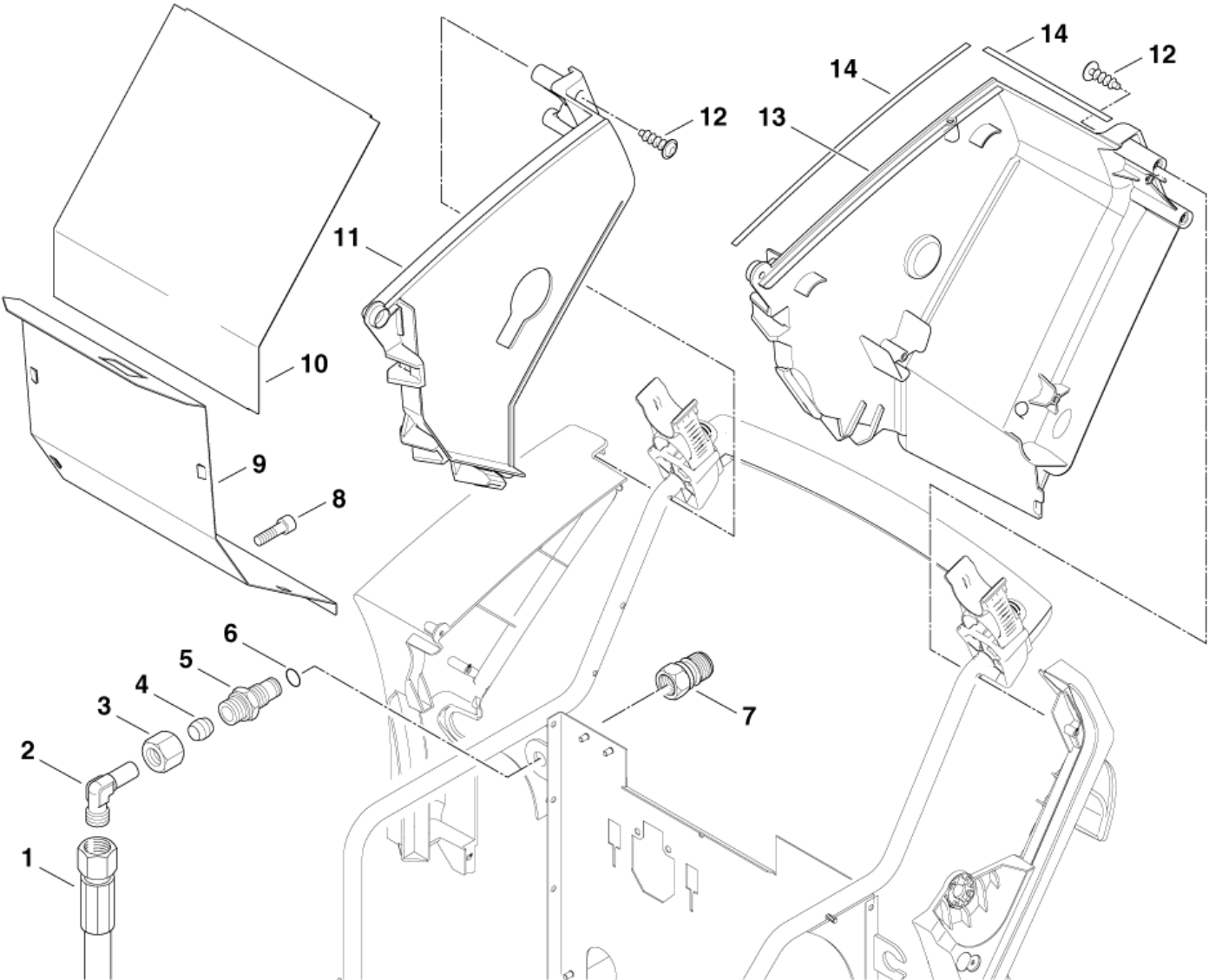
Basket

NEPTUNE 3

16-05-2011

Part List ID
NEPT318

42



Basket

NEPTUNE 3

16-05-2011

Part List ID
NEPT318

43

Pos	Part no.	Qty	Description		EAN
1	301000855	1	HP-HOSE Ø8X650	Standard models	4005337022
2	1504	1	FITTING XEVW 12L ZN	Standard models	4005337015
3	1081	1	UNION NUT L 12	Standard models	4005337010
4	1080	1	RING L 12	Standard models	4005337010
5	301000627	1	FITTING	Standard models	4005337021
6	42768	1	O-RING 11.2x1.8 DIN 3771 NBR70	Standard models	4005337427
7	1600493	1	NIPPLE F. Q-COUPL. 3/8IN HP	Standard models	5701715023
8	3913	2	SCREW M6X12	Standard models	4005337039
9	301001254	1	SHEET METAL 1X287X199X185	Standard models	4005337047
10	301001255	1	SHEET METAL 1X221X207X134	Standard models	4005337047
11	301001190	1	HOSE REEL CABINET RIGHT	Standard models	4005337043
12	1814614	2	PT-SCREW K50X16 WN1451 - FZB	Standard models	5701715208
13	301001189	1	HOSE REEL CABINET LEFT	Standard models	4005337040
14	301001811	2	GASKET 500X7X2	Standard models	4005337066

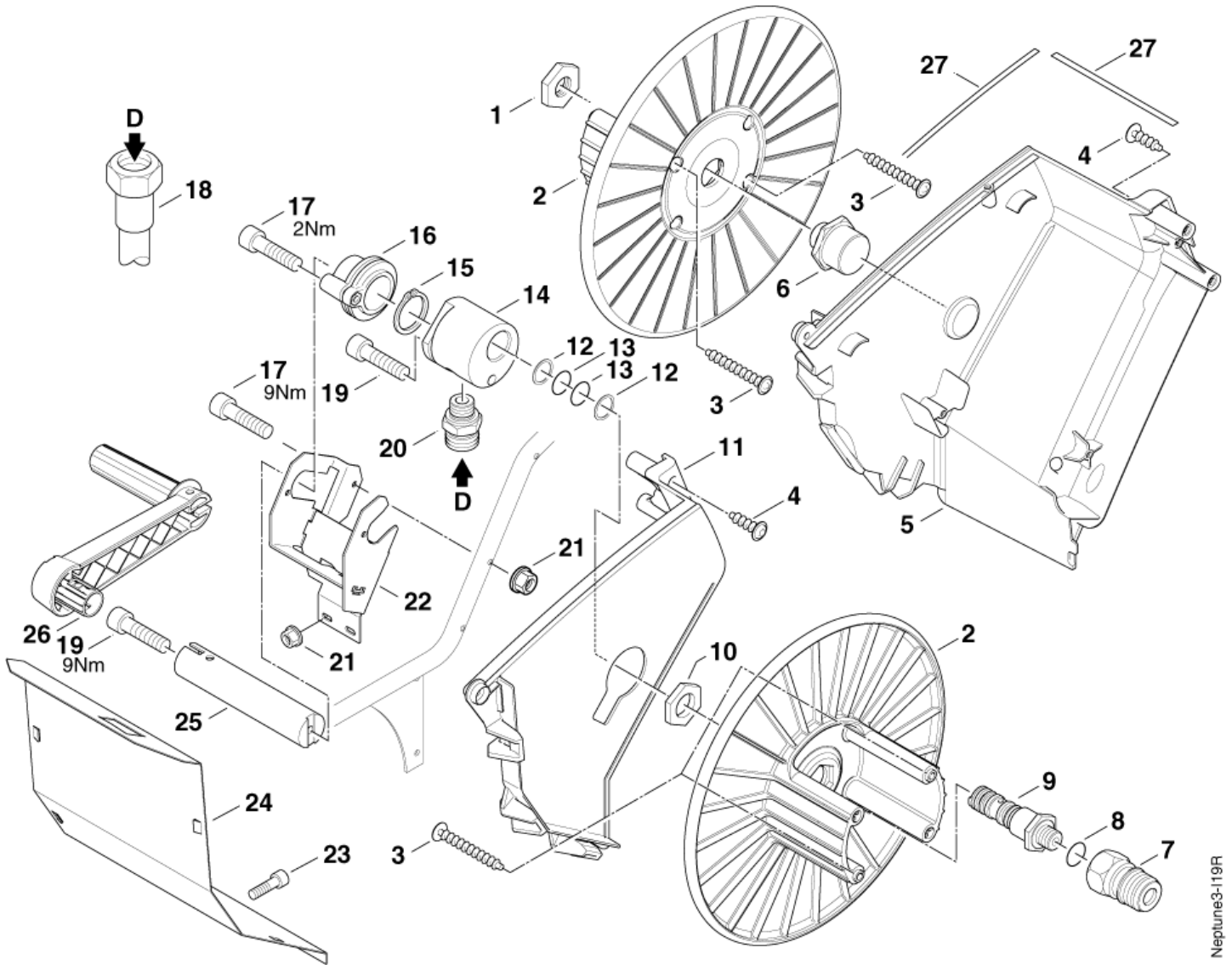
Hose reel

NEPTUNE 3

16-05-2011

Part List ID
NEPT319

44



Neptune3-119R

Hose reel

NEPTUNE 3

16-05-2011

Part List ID
NEPT319

45

Pos	Part no.	Qty	Description		EAN
0	301001688	1	HOSE REEL 20M SET		4005337068
1	909100145	1	HEXAGON NUT G 3/8X6	X-MODELS	4005337026
2	301000775	2	HOSE DRUM SECTION	X-MODELS	4005337024
3	909100153	4	SCREW 6X40	X-MODELS	4005337032
4	1814614	4	PT-SCREW K50X16 WN1451 - FZB	X-MODELS	5701715208
5	301001189	1	HOSE REEL CABINET LEFT	X-MODELS	4005337040
6	301001266	1	SCREW G3/8 SW 30	X-MODELS	4005337042
7	1600493	1	NIPPLE F. Q-COUP. 3/8IN HP	X-MODELS	5701715023
8	1801075	1	PACKING RING Ø 23,8X Ø 17,2	X-MODELS	5701715027
9	301000976	1	HOLLOW SCREW G3/8	X-MODELS	4005337026
10	62696	1	HEXAGON NUT M24X1.5X6	X-MODELS	4005337626
11	301001190	1	HOSE REEL CABINET RIGHT	X-MODELS	4005337043
12	63792	2	SUPPORTING RING Ø16.26X2.18	X-MODELS	4005337637
13	19620	2	O-RING 15.54x2.62 DIN 3771 NBR70	X-MODELS	4005337196
14	301000624	1	HOISTING RING HOUSING 45X4	X-MODELS	4005337022
15	32524	1	RETAINING RING 20X1.2	X-MODELS	4005337325
16	301000849	1	BEARING LEFT Ø 50X33	X-MODELS	4005337022
17	5945	2	SCREW M6X30	X-MODELS	4005337059
18	301000855	1	HP-HOSE Ø8X650	X-MODELS	4005337022
19	9570	2	SCREW M6X40	X-MODELS	4005337095
20	54590	1	FITTING XGE12L 1/4NPT	X-MODELS	4005337545
21	12496	3	HEXAGON NUT M6	X-MODELS	4005337172
22	301001257	1	FRAME 189X129X125.5	X-MODELS	4005337043
23	3913	1	SCREW M6X12	X-MODELS	4005337039
24	301001254	1	SHEET METAL 1X287X199X185	X-MODELS	4005337047
25	301001263	1	ADAPTER Ø28X140	X-MODELS	4005337042
26	301000733	1	CRANK 190X175X45	X-MODELS	4005337022
27	301001811	2	GASKET 500X7X2	X-MODELS	4005337066

Default accessories

NEPTUNE 3

16-05-2011

Part List ID
NEPT322

46

No Drawing For Part List

Default accessories

NEPTUNE 3

16-05-2011

Part List ID
NEPT322

47

Pos	Part no.	Qty	Description		EAN
-	106403011	1	TORNADO PLUS 1000 BEND W/O NOZZLE		4005337167
-	106403036	1	UNIVERSAL PLUS LANCE 940 BEND W/O NOZZ		4005337167
-	106403122	1	ERGO 2000 STANDARD W. HOSE SWIVEL		4005337168
0	101119496	1	ERGO COUPLING KIT		5701715304
0	101119737	1	NOZZLE 0370 INDICATION RING BRONZE	3-26	5701715324
0	101119738	1	NOZZLE 0400 INDICATION RING METAL GREY	3-22, 3-33, 3-41	5701715324
0	101119740	1	NOZZLE 0450 INDICATION RING LIGHT BLUE	(3-38 JP, 60Hz)	5701715324
0	101119741	1	NOZZLE 0500 INDICATION RING YELLOW	3-25, (3-38 JP, 50Hz)	5701715324
0	101405770	1	10 M WIRE HOSE 5/16 DN8		5701715330
0	301001100	1	HP-HOSE DN8X15M		4005337031
1	106402121	1	TORNADO 3000 LANCE 920 W/O NOZZLE	Up to 2010	5701715324
1	301002410	1	ERGO 1000	Up to 2010	4005337088
1	301002411	1	SPRAY GUN ERGO 1000 VARIOPRESS	Up to 2010	4005337090

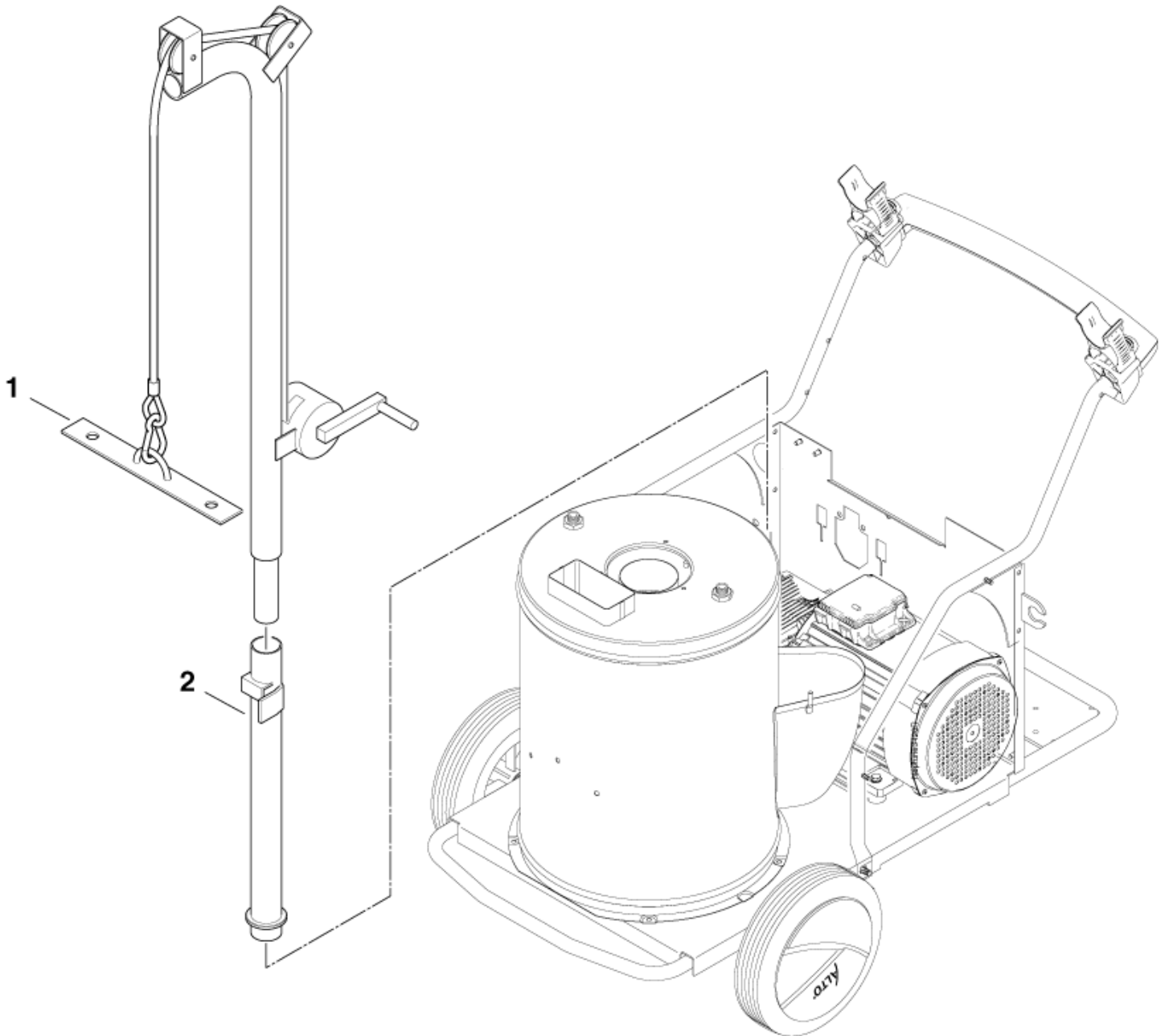
Service crane

NEPTUNE 3

16-05-2011

Part List ID
NEPT320

48



Service crane

NEPTUNE 3

16-05-2011

Part List ID
NEPT320

49

Pos	Part no.	Qty	Description	EAN
1	301001078	1	SERVICE CRANE 301001267 or 301001804 also necessary	4005337031
2	301001804	1	SUPPORT	4005337067

Total check kits, recommended spare parts

NEPTUNE 3

16-05-2011

Part List ID
NEPT3REC

50

No Drawing For Part List

Total check kits, recommended spare parts

NEPTUNE 3

16-05-2011

Part List ID
NEPT3REC

51

Pos	Part no.	Qty	Description	EAN
	301001949	1	TOTAL CHECK N3	4005337069
	301001950	1	TOTAL CHECK N3-22 EU	4005337069
	301001951	1	TOTAL CHECK N3-23	4005337069
	301001952	1	TOTAL CHECK N3-41	4005337069
	301002012	1	TOTAL CHECK N3-22 GB	4005337071
	301002013	1	TOTAL CHECK N3-26 EU	4005337071
	301002014	1	TOTAL CHECK N3-33	4005337071

Recommended spare parts

NEPTUNE 3

16-05-2011

Part List ID
NEPT326

52

No Drawing For Part List

Recommended spare parts

NEPTUNE 3

16-05-2011

Part List ID
NEPT326

53

Pos	Part no.	Qty	Description		EAN
	101117660	1	IGNITION TRANSFORMER W/PRIMARY CORD	C	4005337158
	101117723	1	EXH LIMIT SWITCH	C	4005337160
	101117760	1	IGNITION CORD 7X500 - DANFOSS 2 PCS	C	4005337155
	101117926	1	FILTER	A	4005337177
	101117946	1	CAPACITOR 100UF 450V W. STUD 1100MM CABL	›	4005337177
	101117987	1	SOLENOID 24V KIT	C	4005337180
	101117988	1	OIL PUMP SP55B 431 KIT	A	4005337180
	101117989	1	OIL PUMP SP55B 4316M KIT	A	4005337180
	101118023	1	MOTOR 4.0KW 230/400	C	4005337183
	101118026	1	MOTOR 1.7KW/230/1	C	4005337183
	101118027	1	MOTOR 2.2KW 230V	C	4005337183
	101118029	1	MOTOR 2.0KW 110V/1 WITH PLUG	C	4005337183
	101118030	1	MOTOR 4KW/200/3	C	4005337183
	101118031	1	MOTOR 1.4KW/120/1	C	4005337183
	103821729	1	FUSE 5X20 2A T 250V	A	4005337181
	103822301	1	CONTACTOR CJX2-D12-B7 24V	C	4005337165
	103822306	1	CONTACTOR CJX2-D18-B7 24V	C	4005337178
	103822313	1	CONTACTOR 12-25A 50/60HZ 24V	C	
	11060	1	STARTER RELAY 220V AC	C	4005337110
	13739	1	O-RING 10X2 DIN 3770 NBR70	A	4005337137
	16443	1	O-RING 17.0x2.0 DIN 3770 NBR70	A	4005337164
	16998	1	O-RING 14.0x1.5 NBR70	A	4005337169
	1756	1	FILTER CARTRIDGE	A	4005337017
	24347	1	O-RING 21.0x2.5 DIN 3770 FPM80	A	4005337243
	2802712	1	NOZZLE 1,0 GAL/H 3,72KG/	A	5701715115
	301000402	1	RESISTANCE 15KOHM7W	C	4005337680
	301000541	1	SHIELDING CONE	C	4005337065
	301000681	1	TRANSFORMER 230/400-24/8V	C	4005337691
	301000729	1	FLAME SENSOR	C	4005337691
	301000730	1	TEMPERATURE SENSOR	C	4005337691
	301000731	1	MICRO SWITCH 250V	C	4005337691
	301000732	1	THERMO FUSE 108 DEGREE W/WIRE	C	4005337691
	301000854	1	HP-HOSE 8X610	C	4005337022
	301000855	1	HP-HOSE Ø8X650	C	4005337022
	301000858	1	IGNITION CORD Ø7X500	C	4005337022
	301000879	1	IGNITION TRANSFORMER	C	4005337022
	301000880	1	BURNER ENGINE	C	4005337022
	301000881	1	MOTOR 390W 200-220V 50-60HZ	C	4005337022
	301000882	1	BURNER MOTOR 180W 230V 50HZ	C	4005337023
	301000905	1	PISTON Ø14,6X25,5	A	4005337023
	301001017	1	CAPACITOR 60MF 450V W/ FERRULES	C	4005337028
	301001056	1	STARTING CAPACITOR 98MF 330V W/O BOLT	C	4005337030

Recommended spare parts

NEPTUNE 3

16-05-2011

Part List ID
NEPT326

54

Pos	Part no.	Qty	Description		EAN
	301001059	1	TRANSFORMER 220AT 460V 24	C	4005337030
	301001060	1	TRANSFORMER 115AT 200V 2	C	4005337030
	301001196	1	FLOAT SWITCH	C	4005337035
	301001230	1	MAIN CIRCUIT BOARD	C	4005337038
	301001231	1	MAIN CIRCUIT BOARD	C	4005337038
	301001239	1	MOTOR 3.2KW 230/400	C	4005337038
	301001296	1	RETURN LINE Ø30X34X43	A	4005337045
	301001367	1	INSULATION Ø310X79	A	4005337052
	301001371	1	CALORIFIER KIT NEPTUNE	C	4005337052
	301001487	1	KIT PISTON Ø 15	B	4005337048
	301001488	1	KIT PISTON Ø 18	B	4005337048
	301001489	1	KIT PISTON SEALING Ø 15	A	4005337048
	301001490	1	KIT PISTON SEALING Ø 18	A	4005337048
	301001491	1	KIT OIL SEALING	A	4005337048
	301001492	1	KIT SUPPORT RING Ø15 3	A	4005337048
	301001493	1	KIT SUPPORT RING Ø18 3	A	4005337048
	301001494	1	Valve kit 6 pcs w ith o-rings	A	4005337048
	301001547	1	CASTOR 100	C	4005337058
	301001595	1	CAPACITOR	C	4005337055
	301001991	1	CIRCUIT BOARD 1PH 24VAC	C	4005337070
	301002101	1	BASE-FUEL PUMP WITH FILTER	A	4005337079
	301002353	1	INRUSH CURRENT LIMITER 5 OHM / 5W	C	4005337083
	301002395	1	Motor 1,0kW 120V	C	4005337086
	301002458	1	REED CONTACT 8X75	C	4005337087
	301002459	1	IGNITION TRANSFORMER 110/120V 50/60HZ	C	4005337087
	301002505	1	IGNITION CORD	C	4005337104
	301002660	1	CAPACITOR 80 F/400V	C	4005337116
	301002926	1	INLINE FILTER 101X36.5X6 KU	A	4005337122
	301150009	1	SPARE PART KIT FOR IGNITION ELECTRODE	A	4005337158
	3205	1	STRAINER VALVE 3/8	A	4005337032
	34218	1	FILTER FOR FLOAT VALVE KU	A	4005337342
	3812385	1	FUSE 5X20 6.3A	A	5701715043
	3821343	1	CAPACITOR 50AF	C	5701715044
	40907	1	O-RING 31.47x1.78 ARP AS 568 A NBR70	A	4005337409
	56519	1	O-RING 6.5x3.0 SMS 1586 NBR90	A	4005337565
	61659	1	OIL NOZZLE 1.25 GAL - 60 DEGREES	A	4005337616
	62722	1	FITTING	C	4005337627
	62724	1	CONTACT PISTON	A	4005337627
	63347	1	FLOAT VALVE	A	4005337633
	6367	1	ROLLER BEARING 6206-2Z-C3	C	4005337063
	64314	1	REPAIR KIT	A	4005337643
	9868	1	O RING DIA 10X2,5	A	4005337098

Recommended spare parts

NEPTUNE 3

16-05-2011

Part List ID
NEPT326

55

Pos	Part no.	Qty	Description		EAN
	9934	1	ROLLER BEARING 6205-2Z-C3	c	4005337099