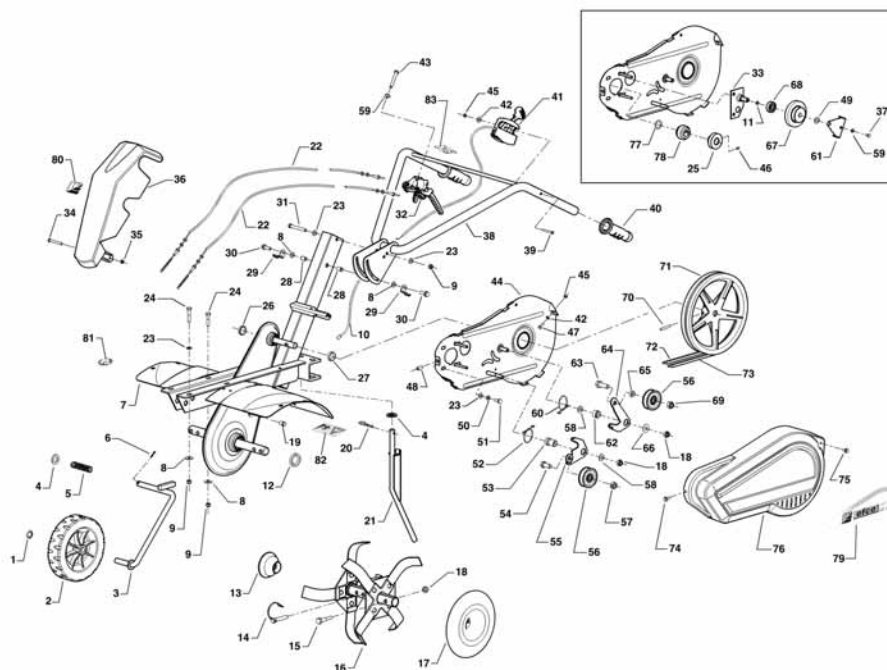


MZ 2050RK Rotary tiller - Complete illustrated part list



MZ 2050RK Rotary tiller - Complete illustrated part list

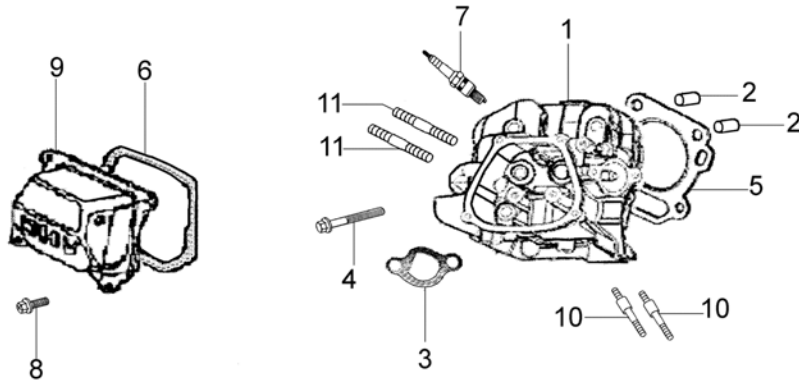


Ref.Nu	Qty	Part number	Description	Validity from	Validity till	Notes	Bulletin
1	1	ES843993080	Ring				
2	1	ES360012160	Wheel				
3	1	ES36012150	Support (wheel)				
4	2	N4399400	Washer				
5	1	ES360012142	Spring				
6	1	ES851700000	Split pin				
7	1	ES360005555	Frame			Grigio; Grey	
8	6	N4370800	Washer				
9	5	N1458800	Nut				
10	1	ES360010415	Extension			HONDA GX 120	
11	1	ES801102000	Snap ring				
12	2	YN0209500	Ring				
13	2	ES360015900	Cap				
14	4	ES852110000	Piston pin				
15	2	N6343000	Screw				
16	2	ES360015286	Milling cutter set			SX; LEFT	
16	2	ES360015285	Milling cutter set			DX; RIGHT	
17	2	ES360015213	Disk				
18	4	ES814645000	Nut				
19	1	ES852520000	Cap				
20	1	N5148600	Split pin				
21	1	ES360012100	Complete drag bar				
22	1	ES360010162	Transmission				
23	12	YN4368500	Washer				
24	4	3806067	Screw				
25	1	ES360020110	Pulley				
26	1	ES801910000	Cap				
27	1	N0205200	Ring				
28	2	ES808991000	Insert				
29	2	ES360010130	Plate				
30	2	N6268500	Screw				
31	1	N6295200	Screw				
32	1	ES360010180	Lever (Double)				
33	1	ES360005162	Fixing plate				
34	1	N6194500	Screw				
35	1	N1453000	Nut				
36	1	68670005	Cover			Rosso; Red	
37	1	301000042	Screw				
38	1	ES360010225	Handlebar				
39	1	ES861840300	Screw			HONDA GX 120; Emak K700H	
39	1	ES861840250	Screw			B&S 550	
40	2	ES231050906	Knob				

Ref.Nu	Qty	Part number	Description	Validity from	Validity till	Notes	Bulletin
41	1	ES360010410	Throttle			HONDA GX 120; Emak K700H	
41	1	ES360010400	Throttle			B&S 550	
42	2	YN4361900	Washer				
43	1	ES861840275	Screw				
44	1	ES360005197	Plate				
45	3	N1454800	Nut				
46	1	ES86201000	Screw				
47	1	3806035	Screw				
48	1	N0899000	Insert				
49	1	ES341012364	Spacer				
50	4	3819013R	Grower				
51	4	N6243900	Screw				
52	1	ES360005950	Spring				
53	1	ES360005215	Bushing				
54	1	N6370300	Screw				
55	1	ES360005237	Lever				
56	2	ES260005906	Wheel				
57	1	YN1470200	Nut				
58	2	N4381200	Washer				
59	2	YN4357000	Washer				
60	1	ES360005952	Spring				
61	1	ES360005172	Plate				
62	1	ES360005217	Bushing				
63	1	ES86375000	Screw				
64	1	ES360005233	Lever				
65	1	ES360005212	Spacer				
66	1	ES360005220	Spacer				
67	1	ES360020114	Gear				
68	1	YN1252350	Bearing				
69	1	N1470300	Nut				
70	1	ES85128700	Pin				
71	1	ES360005200	Pulley				
72	1	ES321005189	Belt (Reverse gear)				
73	1	YF1231609	Belt				
74	1	N6212000	Screw				
75	1	ES862070010	Screw				
76	1	68620010BR	Hood			Rosso; Red	
77	1	ES270011943	Spacer				
78	1	ES360020118	Gear				
79	1	68670010	Label MZ2050RK			Su richiesta; Upon request; MZ 2050 RK	
79	1	68670009	Label MZ2050RX			Su richiesta; Upon request; MZ 2050 RX	
79	1	68670008	Label MZ2050R			Su richiesta; Upon request; MZ 2050 R	
80	1	68240076	Plate			Su richiesta; Upon request	
81	1	200171725	Mark			Su richiesta; Upon request	

Ref.Nu	Qty	Part number	Description	Validity from	Validity till	Notes	Bulletin
82	1	F0015577	Mark (danger)			Su richiesta; Upon request	
83	1	ES260050999	Mark			Su richiesta; Upon request	

MZ 2050RK Rotary tiller - Cylinder head

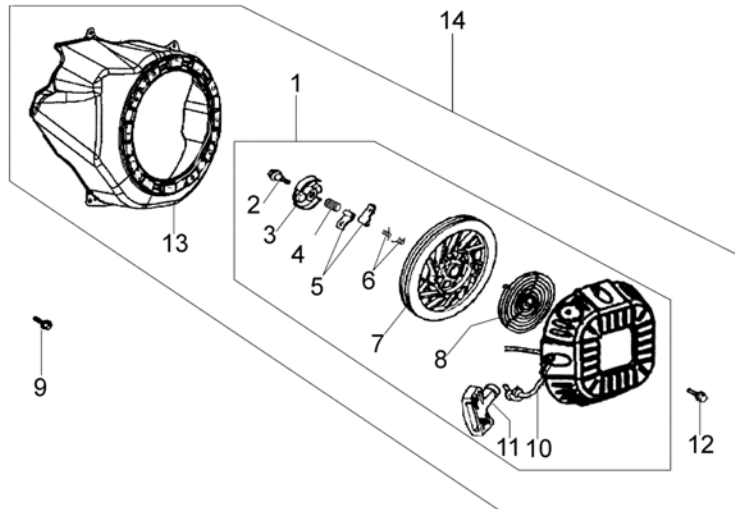


MZ 2050RK Rotary tiller - Cylinder head



Ref.Nu	Qty	Part number	Description	Validity from	Validity till	Notes	Bulletin
1	1	L66150275	Cylinder head				
2	2	L66150350	Pin				
3	1	L66150309	Oil seal				
4	4	L66150323	Screw				
5	1	L66150276	Oil seal				
6	1	L66150278	Oil seal				
7	1	L66150315	Spark plug				
8	4	L66150316	Screw				
9	1	L66150277	Cover comp,head,left				
10	2	L66150351	Stud				
11	2	L66150324	Stud				

MZ 2050RK Rotary tiller - Ignition system

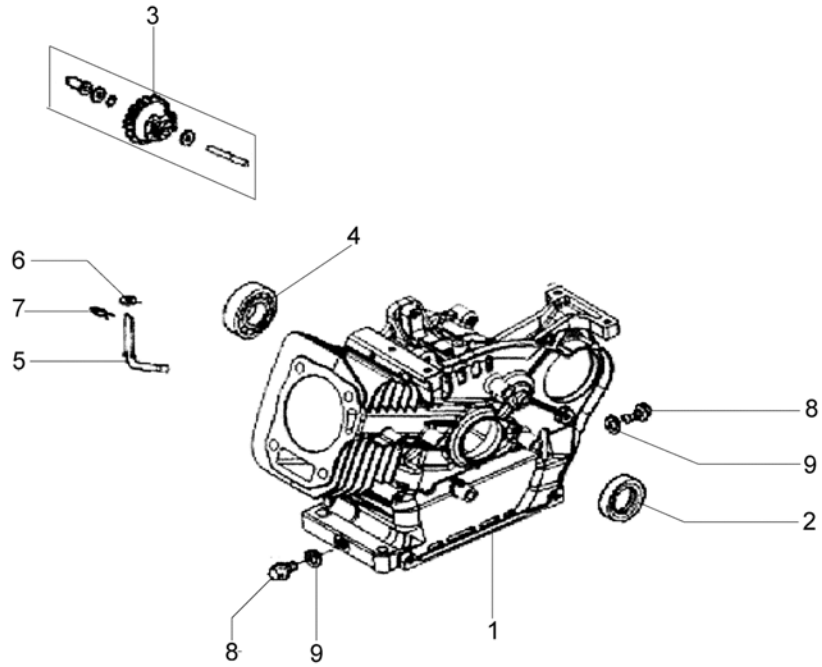


MZ 2050RK Rotary tiller - Ignition system



Ref.Nu	Qty	Part number	Description	Validity from	Validity till	Notes	Bulletin
1	1	L66150329	Starter assy				
2	1	L66150330	Screw				
3	1	L66150331	Clutch driver				
4	1	L66150332	Spring				
5	2	L66150333	Pawl				
6	2	L66150334	Spring				
7	1	L66150335	Reel, recoil starter				
8	1	L66150336	Spring, recoil starter				
9	4	L66150316	Screw				
10	1	L66150337	Rope				
11	1	L66150338	Handle				
12	4	L66150339	Screw				
13	1	L66150391	Hood, fan cover				
14	1	L66150374	Starter assy				

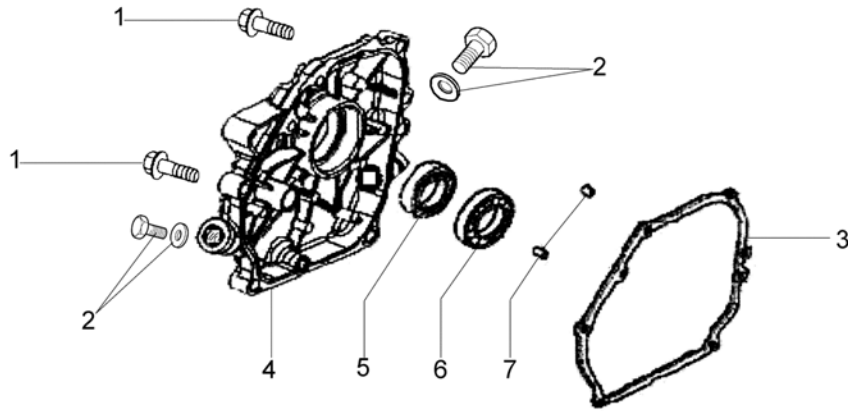
MZ 2050RK Rotary tiller - Crankcase



MZ 2050RK Rotary tiller - Crankcase

Ref.Nu	Qty	Part number	Description	Validity from	Validity till	Notes	Bulletin
1	1	L66150272	Cylinder and crankcase				
2	1	L66150326	Circlip				
3	1	L66150304	Governor				
4	1	L66150355	Bearing				
5	1	L66150302	Shaft				
6	1	L66150325	Washer				
7	1	L66150353	Pin				
8	2	L66150352	Screw				
9	2	L66150354	Washer				

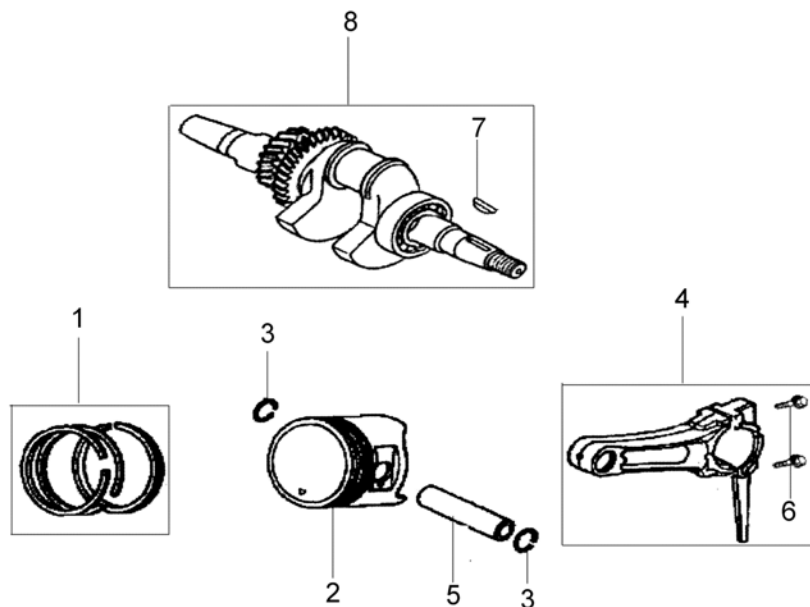
MZ 2050RK Rotary tiller - Crankcase cover



MZ 2050RK Rotary tiller - Crankcase cover

Ref.Nu	Qty	Part number	Description	Validity from	Validity till	Notes	Bulletin
1	7	L66150319	Screw				
2	2	L66150271	Plug				
3	1	L66150274	Oil seal				
4	1	L66150273	Crankcase cover				
5	1	L66150326	Circlip				
6	1	L66150355	Bearing				
7	2	L66150357	Pin				

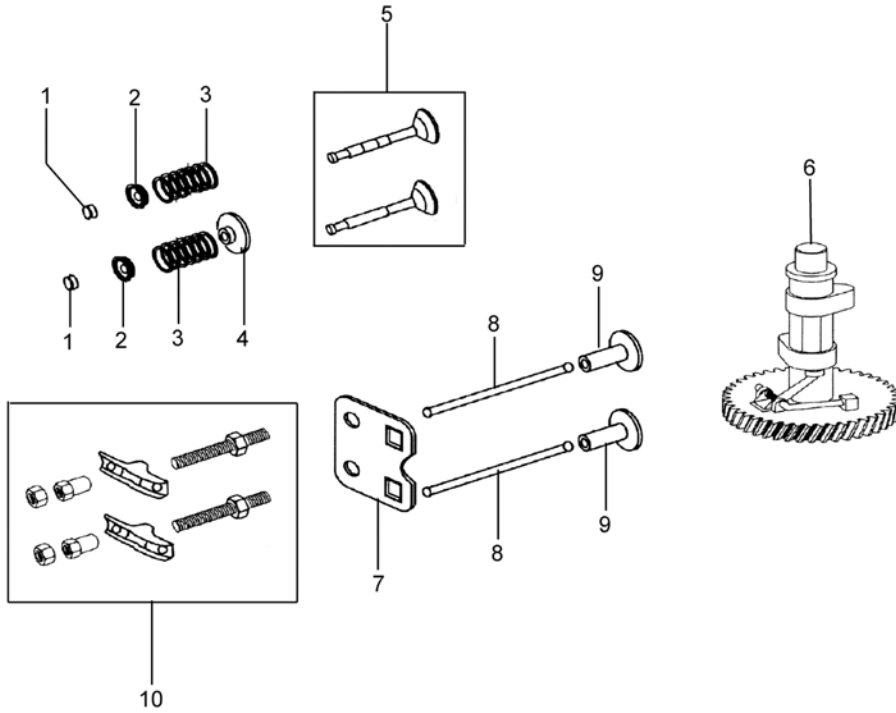
MZ 2050RK Rotary tiller - Crankshaft and piston



MZ 2050RK Rotary tiller - Crankshaft and piston

Ref.Nu	Qty	Part number	Description	Validity from	Validity till	Notes	Bulletin
1	1	L66150280	Piston ring set				
2	1	L66150279	Piston				
3	2	L66150372	Retainer washer				
4	1	L66150281	Connecting rod cpl.				
5	1	L66150342	Piston pin				
6	2	L66150343	Screw				
7	1	L66150344	Key				
8	1	L66150373	Compl. shaft				

MZ 2050RK Rotary tiller - Valve and Governor

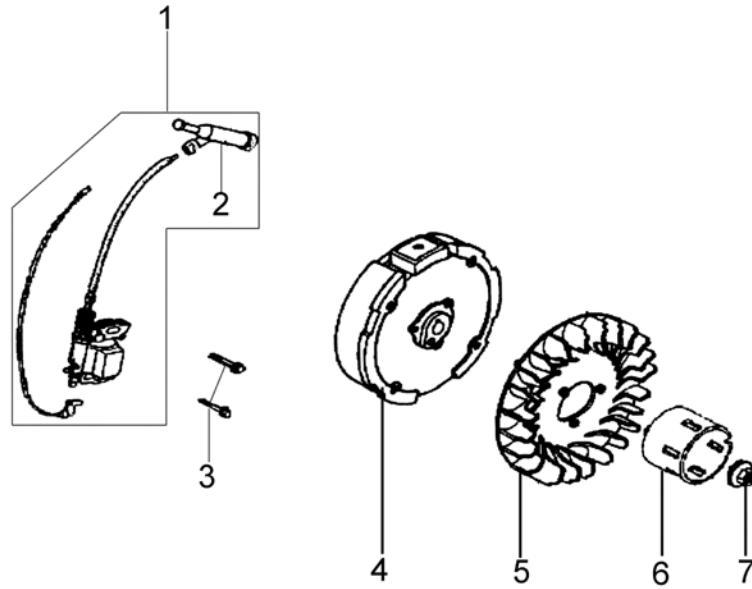


MZ 2050RK Rotary tiller - Valve and Governor



Ref.Nu	Qty	Part number	Description	Validity from	Validity till	Notes	Bulletin
1	2	L66150364	Valve				
2	2	L66150365	Ring				
3	2	L66150366	Spring Valve				
4	1	L66150367	Seal				
5	1	L66150362	Reed valve kit				
6	1	L66150363	Compl. shaft				
7	1	L66150287	Sheet (Guide)				
8	2	L66150285	Tube				
9	2	L66150286	Slide				
10	2	L66150368	Rocker arm				

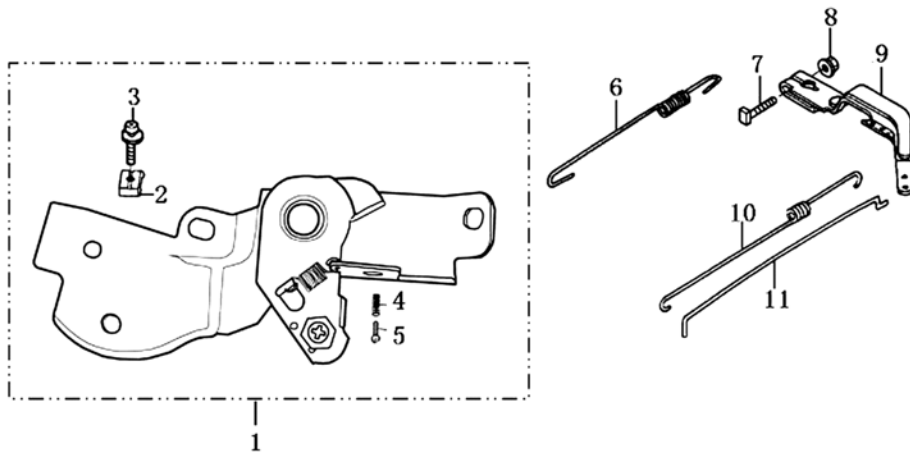
MZ 2050RK Rotary tiller - Flywheel and coil



MZ 2050RK Rotary tiller - Flywheel and coil

Ref.Nu	Qty	Part number	Description	Validity from	Validity till	Notes	Bulletin
1	1	L66150314	Ignition coil				
2	2	L66150371	Cap assy.,noise auppres				
3	1	L66150321	Screw				
4	1	L66150313	Flywheel				
5	1	L66150288	Fan,cooling				
6	1	L66150312	Pulley				
7	1	L66150376	Nut,flange				

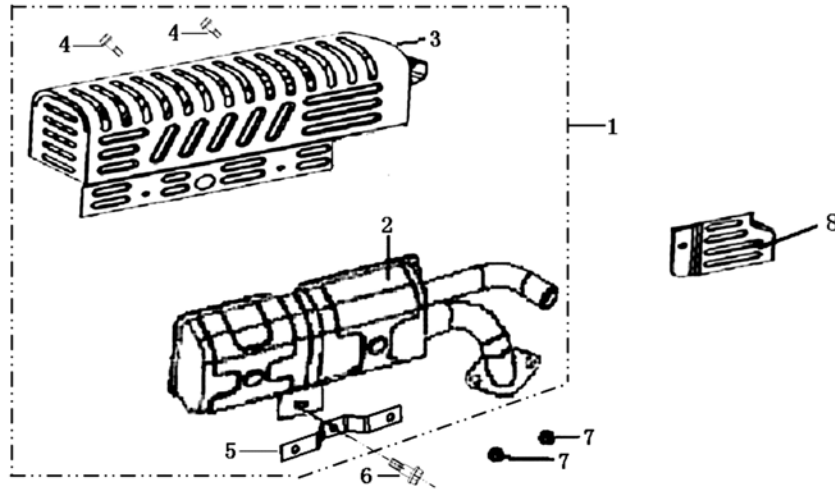
MZ 2050RK Rotary tiller - Control lever



MZ 2050RK Rotary tiller - Control lever

Ref.Nu	Qty	Part number	Description	Validity from	Validity till	Notes	Bulletin
1	1	L66150377	Lever complete				
2	1	L66150378	Fairled				
3	1	L66150379	Screw				
4	1	L66150380	Spring				
5	1	L66150381	Screw				
6	1	L66150299	Spring				
7	1	L66150382	Bolt,flange				
8	1	L66150383	Nut,flange				
9	1	L66150301	Arm				
10	1	L66150300	Spring				
11	1	L66150298	Throttle rod				

MZ 2050RK Rotary tiller - Exhaust

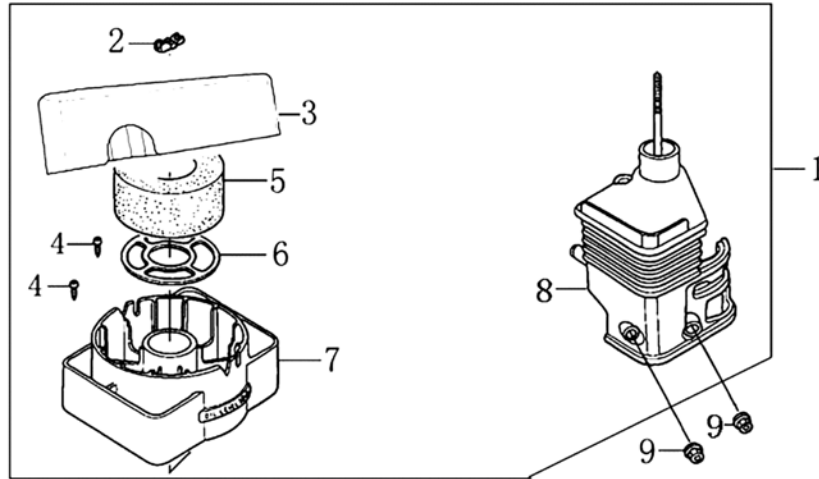


MZ 2050RK Rotary tiller - Exhaust



Ref.Nu	Qty	Part number	Description	Validity from	Validity till	Notes	Bulletin
1	1	L66150308	Muffler assy.				
2	1	L66150345	Muffler				
3	1	L66150346	Exhaust grill				
4	1	L66150347	Screws				
5	1	L66150349	Support				
6	2	L66150317	Screw				
7	1	L66150348	Nut,flange				
8	1	L66150310	Guard				

MZ 2050RK Rotary tiller - Air filter

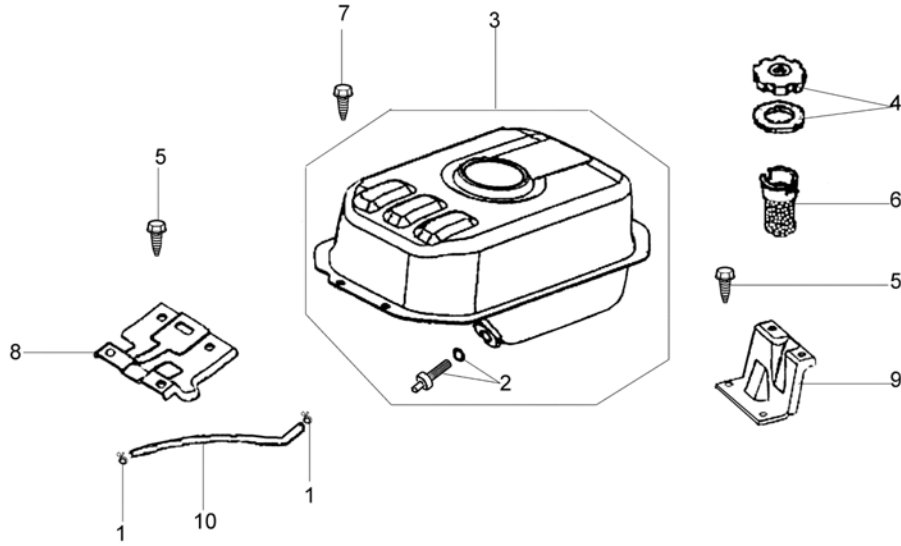


MZ 2050RK Rotary tiller - Air filter



Ref.Nu	Qty	Part number	Description	Validity from	Validity till	Notes	Bulletin
1		L66150307	Air filter kit				
2	1	L66150384	Nut,flange				
3	1	L66150385	Cover comp,head,left				
4	2	L66150386	Screw				
5	1	L66150387	Strainer,fuel				
6	1	L66150388	Grid				
7	1	L66150389	Filter support				
8	1	L66150390	Fitting				
9	2	L66150383	Nut,flange				

MZ 2050RK Rotary tiller - Tank

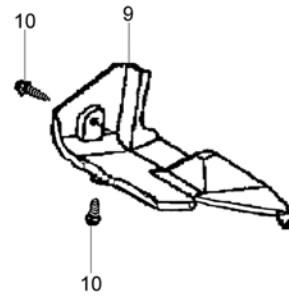
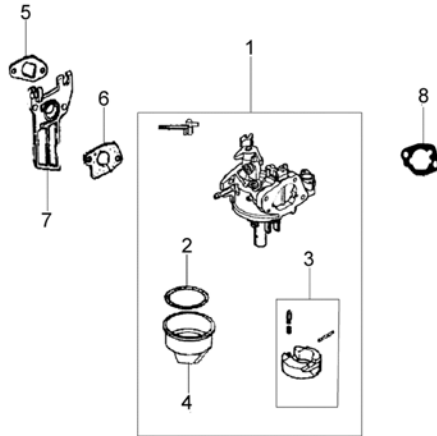


MZ 2050RK Rotary tiller - Tank



Ref.Nu	Qty	Part number	Description	Validity from	Validity till	Notes	Bulletin
1	1	L66150328	Band d.26				
2	1	L66150295	Fitting				
3	1	L66150294	Complete tank				
4	1	L66150297	Plug				
5	4	L66150321	Screw				
6	1	L66150296	Fuel filter				
7	4	L66150322	Screw				
8	1	L66150306	Support				
9	1	L66150305	Support				
10	1	L66150327	Fuel line				

MZ 2050RK Rotary tiller - Carburetor and Deflector



MZ 2050RK Rotary tiller - Carburetor and Deflector

Ref.Nu	Qty	Part number	Description	Validity from	Validity till	Notes	Bulletin
1	1	L66150289	Carburetor				
2	1	L66150370	Oil seal				
3	1	L66150369	Float				
4	1	L66150375	Basin				
5	1	L66150291	Oil seal				
6	1	L66150290	Oil seal				
7	1	L66150293	Insulator				
8	1	L66150292	Oil seal				
9	1	L66150340	Cover comp,head,left				
10	2	L66150339	Screw				