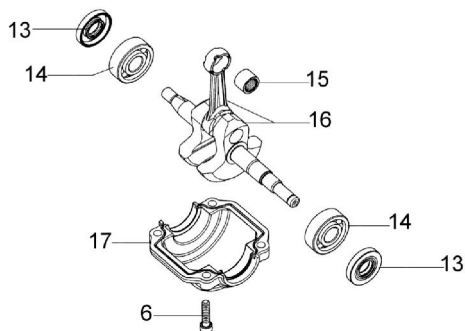
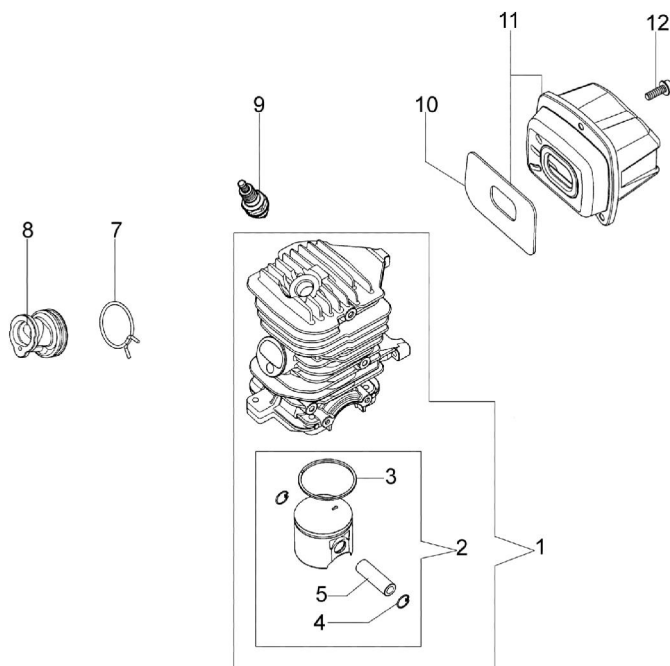


MT 350 Chainsaw - Engine

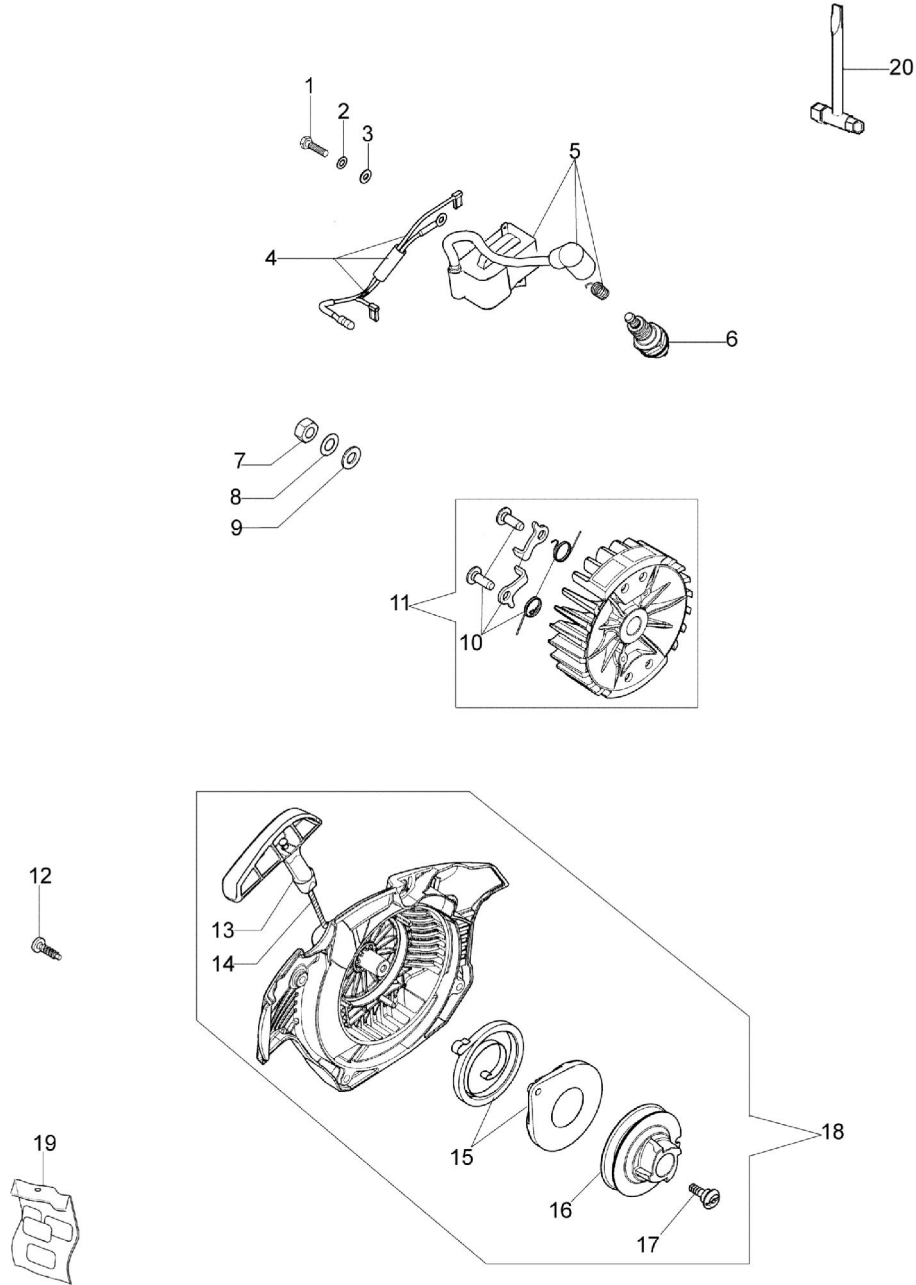


MT 350 Chainsaw - Engine



Ref.Nu	Qty	Part number	Description	Validity from	Validity till	Notes	Bulletin
1	1	50240166	Cyl.assy d.46				
2	1	50240164	Piston assy				
3	1	004000015R	Piston ring d.40				
4	2	004900061R	Ring				
5	1	50110047R	Piston pin				
6	4	3801047	Screw				
7	1	094600103	Band				
8	1	50170010R	Manifold				
9	1	3055101	Spark plug				
10	1	50170031R	Gasket				
11	1	50170027R	Muffler				
12	3	3860117R	Screw				
13	2	3050024R	Seal ring				
14	2	094000006R	Bearing				
15	1	3037026R	Roller cage				
16	1	50240081R	Crankshaft				
17	1	50240016R	Cover				

MT 350 Chainsaw - Starter Assy

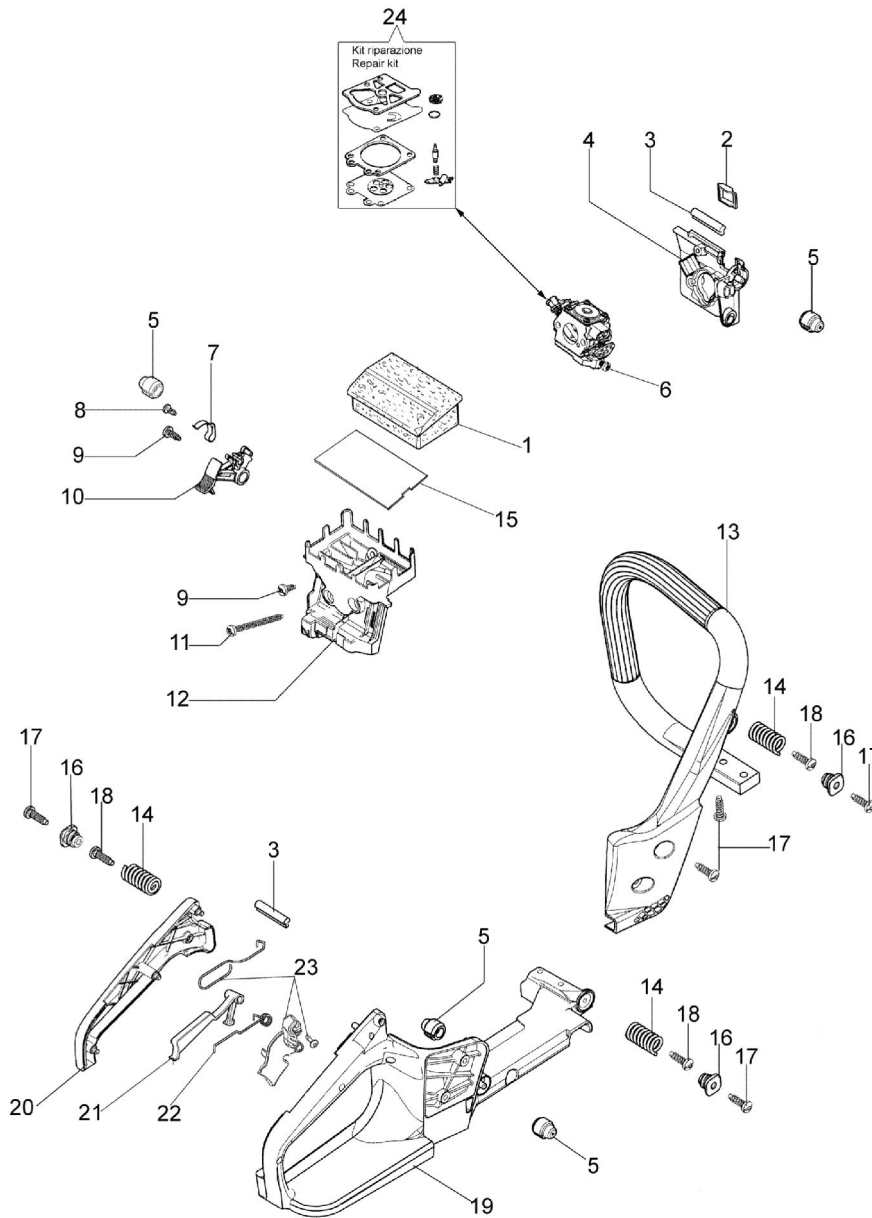


MT 350 Chainsaw - Starter assy



Ref.Nu	Qty	Part number	Description	Validity from	Validity till	Notes	Bulletin
1	1	3960075	Screw				
2	1	006000315R	Washer				
3	1	3916004R	Washer				
4	1	50240087R	Cable				
5	1	50240042R	Coil				
6	1	3055101	Spark plug				
7	1	50240186	Nut	matr. 9811342650			BT4-110-09/11
7	1	004000142	Nut		matr. 9811342649		BT4-110-09/11
8	1	3833080	Washer				
9	1	005000361	Washer				
10	1	50072029	Pawl kit				
11	1	50170015R	Flywheel				
12	4	3960115R	Screw				
13	1	50170017R	Starter handle				
14	1	50070123R	Starter rope				
15	1	50050073R	Spring				
16	1	50170050R	Starter pulley				
17	1	50160024	Screw				
18	1	50242006AR	Starter assy				
19	1	50240161	Decals set				
20	1	2304073	Wrench 13x19				

MT 350 Chainsaw - Handle an Air filter

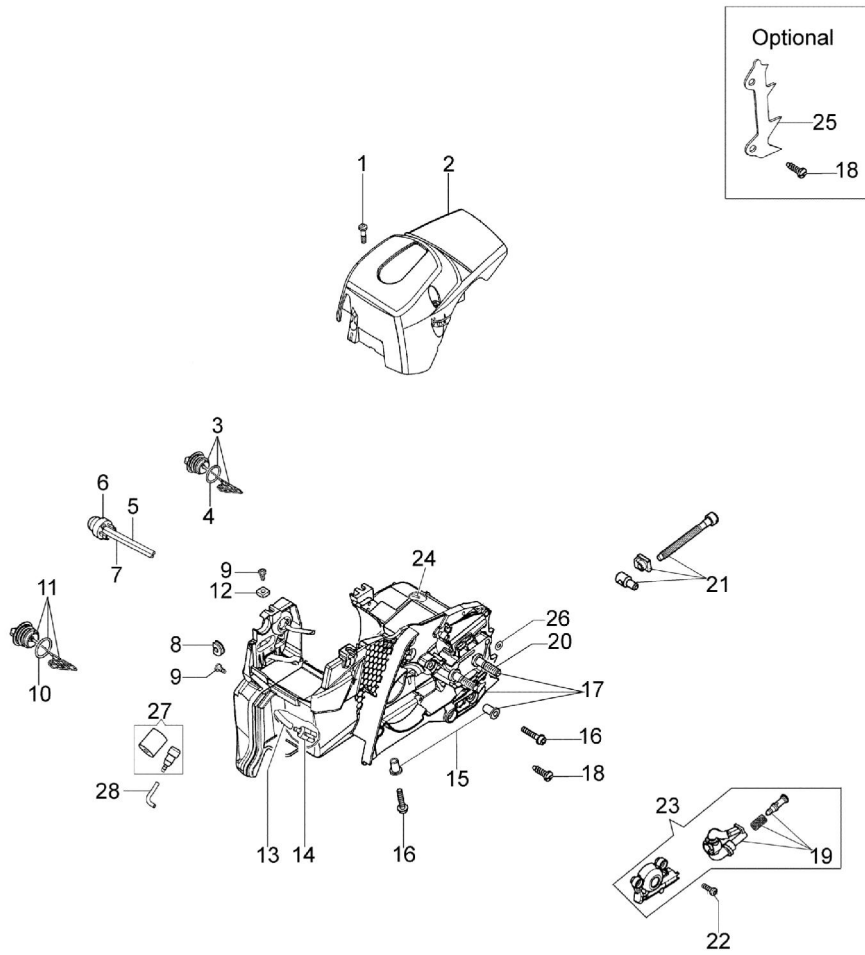


MT 350 Chainsaw - Handle an Air filter



Ref.Nu	Qty	Part number	Description	Validity from	Validity till	Notes	Bulletin
1	1	50240036R	Air filter				
2	1	50240062R	Deflector				
3	2	50240011R	Annular buffer				
4	1	50240043R	Flange				
5	1	50010061R	AV-mount				
6	1	50240045R	Carburetor				
7	1	50240061R	Spring				
8	1	3960109AR	Screws				
9	2	3960070AR	Screw				
10	1	50240060R	Lever				
11	2	3993083R	Screw				
12	1	50240035R	Support				
13	1	50240026R	Handle				
14	1	50050047AR	Spring				
15	1	50240150R	Air filter				
16	1	50170034R	Support				
17	1	3960099R	Screw				
18	1	3960115R	Screw				
19	1	50240023R	Handle				
20	1	50240024R	Cover				
21	1	50050096AR	Lever				
22	1	097000028R	Spring				
23	1	50170249A	Throttle lever kit				
24	1	2318340	Repair kit				

MT 350 Chainsaw - Crankcase

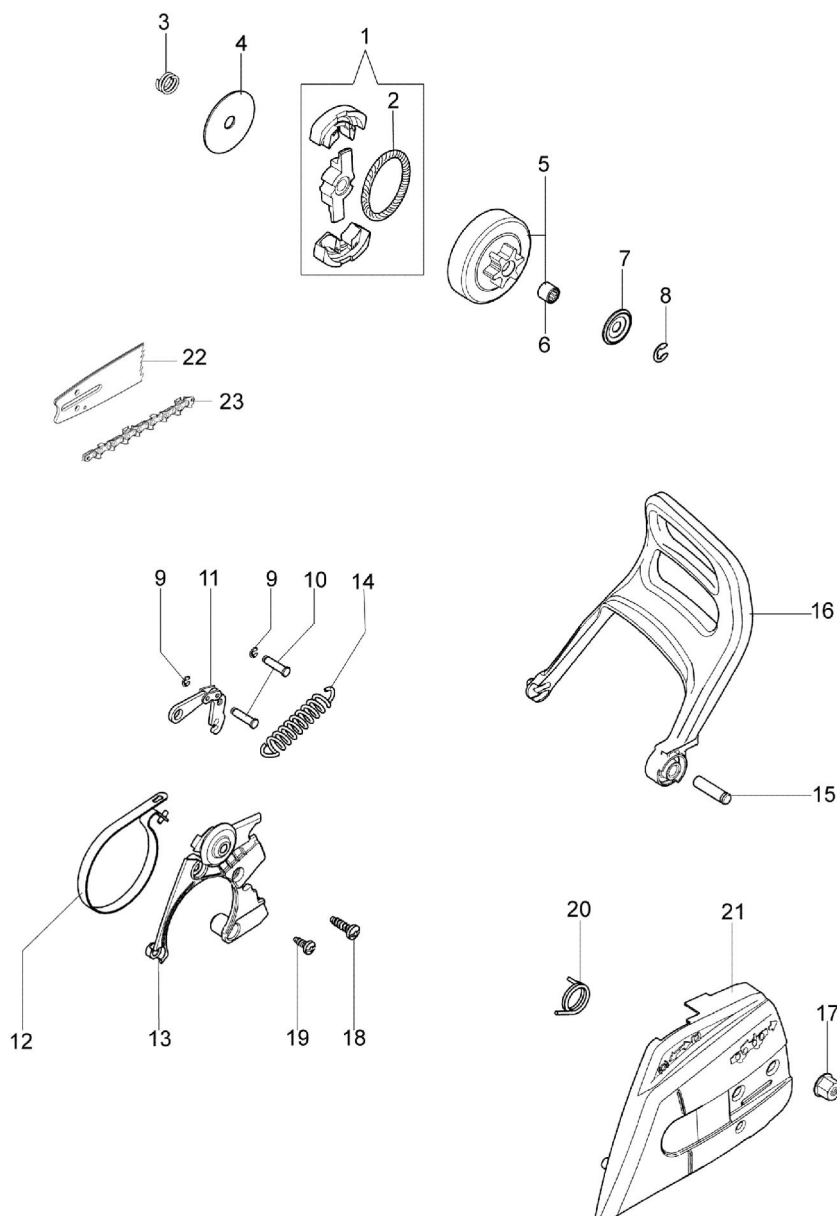


MT 350 Chainsaw - Crankcase



Ref.Nu	Qty	Part number	Description	Validity from	Validity till	Notes	Bulletin
1	1	3991080R	Screw				
2	1	50240070R	Cover				
3	1	50052005R	Tank cap				
4	1	3049047R	O-ring				
5	1	50240049R	Hose				
6	1	50240175R	Air purge				
7	1	50170120R	Hose				
8	1	005000347A	Grommet				
9	1	3960109AR	Screws				
10	1	099900090	O-ring				
11	1	50072009	Cap				
12	1	50240027R	Nut				
13	1	50050070A	Hose				
14	1	094600450R	Fuel filter				
15	4	50050067	Spacer				
16	4	3860097R	Screw				
17	1	50240165R	Crankcase				
18	3	3960099R	Screw				
19	1	50240167	Oil filter				
20	2	50050052R	Stud				
21	1	50050133	Chain tensioner				
22	1	3960074	Screw				
23	1	50240051AR	Oil pump				BT4-109-09/11
24	1	50240010R	Tube				
25	1	50240110R	Spike				
26	1	3049001R	O-ring				
27	1	50240148R	Breather valve				
28	1	50240067R	Breather Fule Pipe				

MT 350 Chainsaw - Chain cover and Clutch



MT 350 Chainsaw - Chain cover and Clutch



Ref.Nu	Qty	Part number	Description	Validity from	Validity till	Notes	Bulletin
1	1	50240031R	Clutch				
2	1	50240032R	Spring				
3	1	50240054R	Spring				
4	1	50240059R	Spacer				
5	1	50240065R	Clutch drum 3/8				
6	1	3037024R	Bearing				
7	1	50240028R	Spacer				
8	1	3026007	Ring				
9	2	3026003	Ring				
10	2	097000106	Pin				
11	1	097000146	Lever				
12	1	50240037R	Brake band				
13	1	50240044R	Guard				
14	1	095000219R	Spring				
15	1	50050066	Pin				
16	1	50240040R	Guard				
17	2	50010148R	Nut				
18	1	3960099R	Screw				
19	1	3960070AR	Screw				
20	1	50240048R	Spring				
21	1	50240063R	Chain cover				
22	1	50030233R	Bar 12" - cm 30				
22	1	50030212R	Bar 14" - cm 35				
23	1	50030235R	Chain .3/8 x .050 (1.3mm) - 45 links				
23	1	50240146R	Chain .3/8 x .050 (1.3mm) - 53 links				