

IPC Integrated Professional

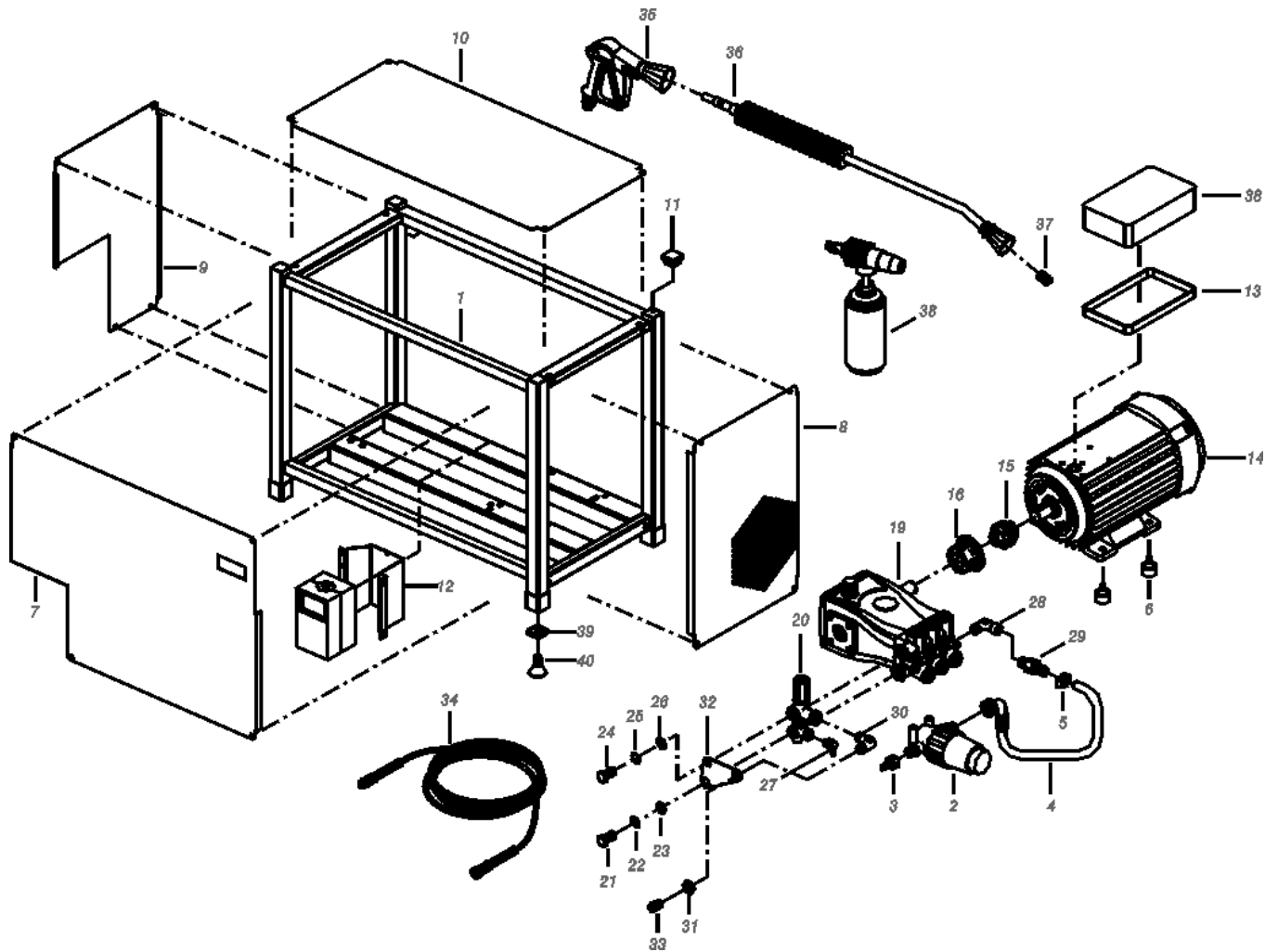
IPC Portotecnica

Spare Parts List

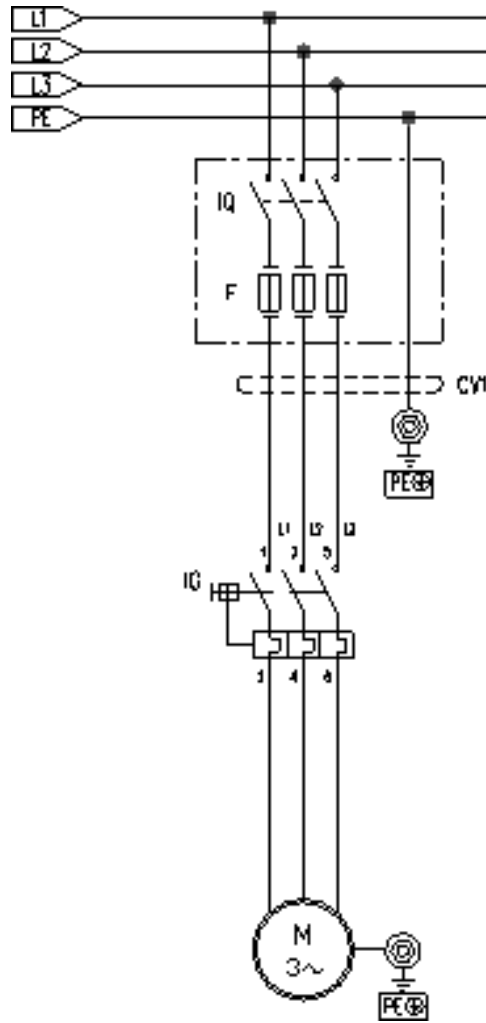
YURKENS TRADING LTD.

Ref: IDAF40199

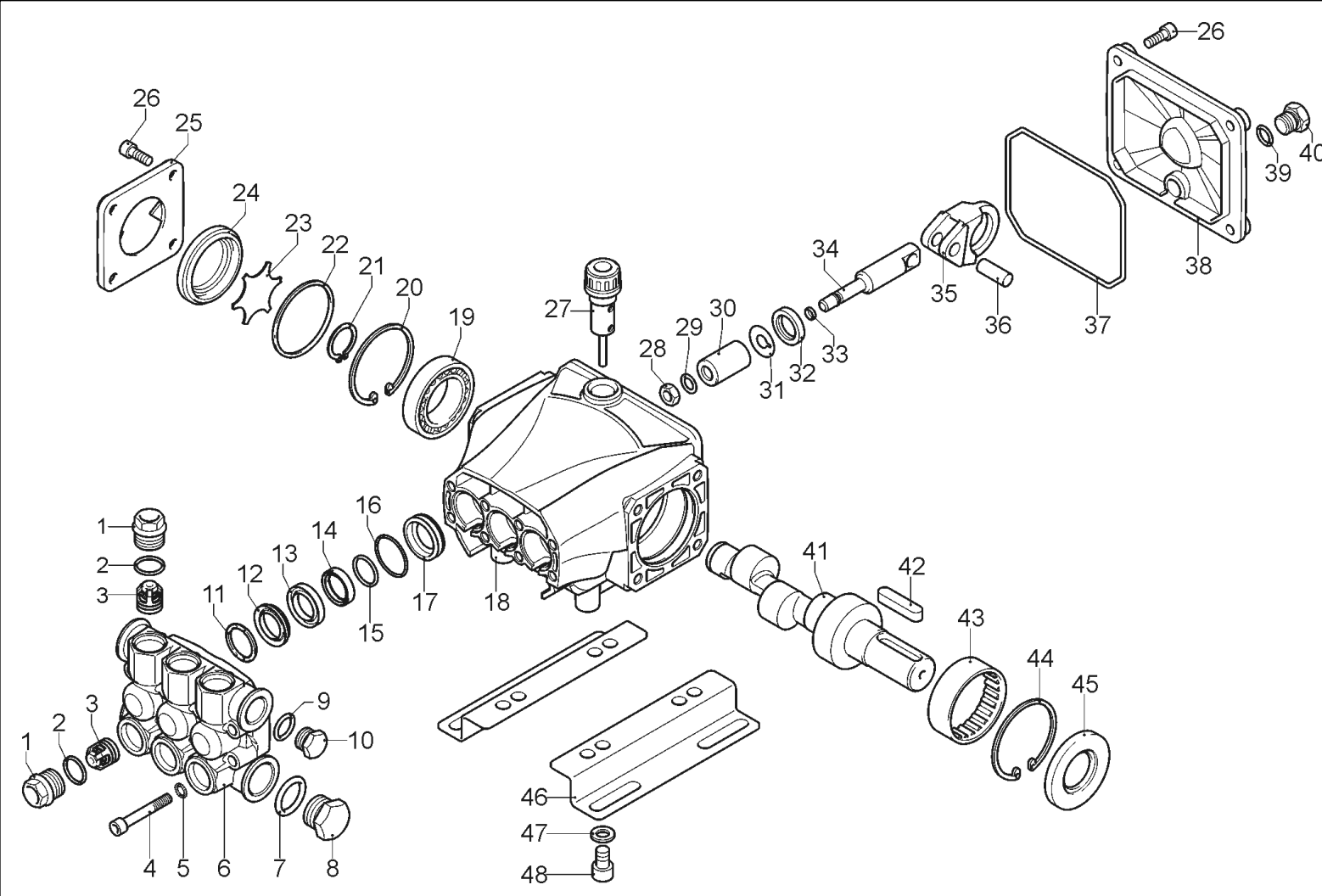
Model: IDROP MUR. ML.C 2860 T 400/50 3-08PRT



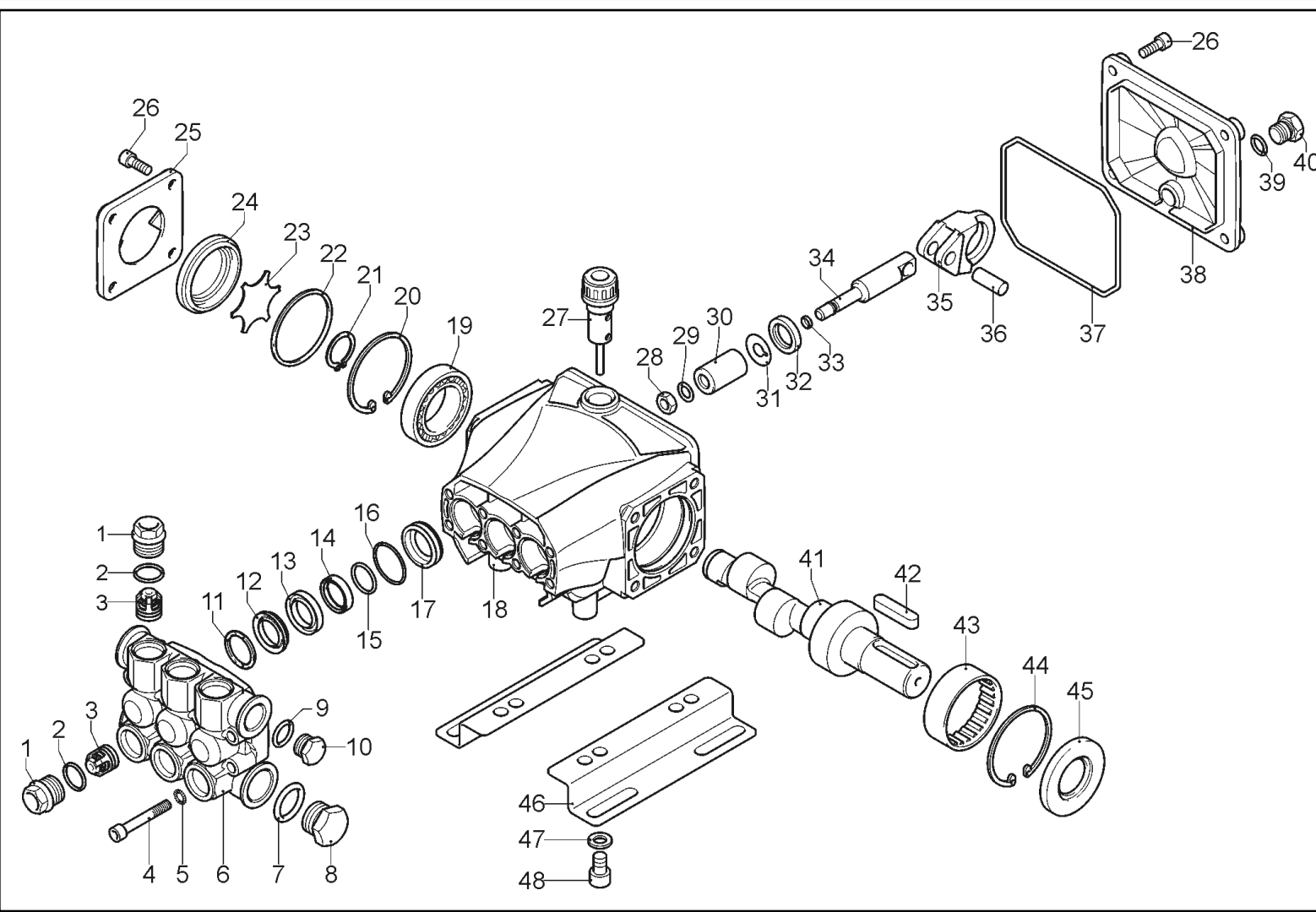
Ref.	K	Part N.	Customer Part N.	Description	Qty	Validity:		Price
						From	To	
0001		LAFN40426		FRAME MURALE ML.C	1,00	09/2011	--	--
0002		FTAC40010		WATER FILTER 3/4 MM 100MS ARG	1,00	09/2011	--	--
0003		RCVR29600		SOCKET PTC 3/4 F	1,00	09/2011	--	--
0004		TBBP40043		L.P. HOSE L=320 3/4F 90° -LIB.	1,00	09/2011	--	--
0005		FSVR00431		CLAMP D. 16-25	1,00	09/2011	--	--
0006		ABGO13580		VIBRATION DAMP.30X20- 2M8X23 -60+5SH	4,00	09/2011	--	--
0007		LAFN40430		ANT. PANEL MURALE ML.C	1,00	09/2011	--	--
0008		LAFN40431		LAT. PANEL MURALE ML.C	1,00	09/2011	--	--
0009		LAFN40432		LAT. PANEL MURALE ML.C SX	1,00	09/2011	--	--
0010		LAFN40433		PANEL SUP. MODULO MUR.ML.C	1,00	09/2011	--	--
0011		MPVR06292		CARRYNG BAG	4,00	09/2011	--	--
0012		LAFN40447		PLATE FISS. Q.EL. x MUR.ML.C	1,00	09/2011	--	--
0013		GUGO41631		GASKET GR 80 -MEC 80/112	2,00	09/2011	--	--
0014		MOTR89900		3PH MOTOR P237 HP 6 400-504P H100	1,00		--	--
0015		VTVR45821		KEY 8X 7X22 UNI 6604	1,00		--	--
0015		FGGT46926		HALF COUPLING W1	1,00		--	--
0016		MFVR44328		COUNTERFLANGE H100 P176	1,00		--	--
0019		PPAP40039		PUMP RC 14.16 DX N	1,00		--	--
0020		VVAZ40017		VALVE MV 625 AR-R AF S/I.RG.	1,00		--	--
0021		RCDS40103		SCREW G 1/2 L=50 INX	1,00		--	--
0022		GUGO02259		O-RING D. 15.54 X 2.62 NBR 70SH	1,00		--	--
0023		VTRS00549		WASHER D.21,5X27X1,5 (1/2) RM	1,00	09/2011	--	--
0024		RCDS40104		SCREW G 3/8 L=50 INX	1,00		--	--
0025		GUGO03510		O-RING D. 12.37 X 2.62 NBR 70SH	1,00		--	--
0026		VTRS00548		WASHER D.17,5X23X1,5 (3/8)RM	1,00	09/2011	--	--
0027		VVSC40550		VALVE 1/2" 56°C	1,00		--	--
0028		RCVR00575		ELBOW 1/2" M/F A10	1,00		--	--
0029		RCVR40039		HOSE FITTING 1/2 M D.12-16 NIK	1,00	09/2011	--	--
0030		RCVR40590		ELBOW 3/8" M A.P. OT.MTM	1,00		--	--
0031		RCDS40105		CARRYNG BAG	1,00		--	--
0032		LAFN40434		BRACKET VALV.AZZERAM. ML.C. INOX	1,00		--	--
0033		RCDS72894		CONNECTOR M22x1,5-3/8"	1,00		--	--
0034		TBAP25324		H.P. HOSE R1 MT 10 5/16" C/2 IRV ZC	1,00		--	--
0035		IPIP40006		GRIP AL50 +AT.RAP.AR3-K +SW.M	1,00		--	--
0036		LCLC40004		LANCE SF-IX/PU 700 +AR3-K +1/4F	1,00		--	--
0037		UGLN49987		NOZZLE LECH 1/4 15045	1,00		--	--
0038		MEVR62051		BASE COVER MEC 80/112 NYL.	1,00	09/2011	--	--
0039		VTVR40018		PIN NDX.Q-30x1,5-M8	4,00	09/2011	--	--
0040		VTVR40020		ELEMENT LIV. LM.25 M8x63	4,00	09/2011	--	--



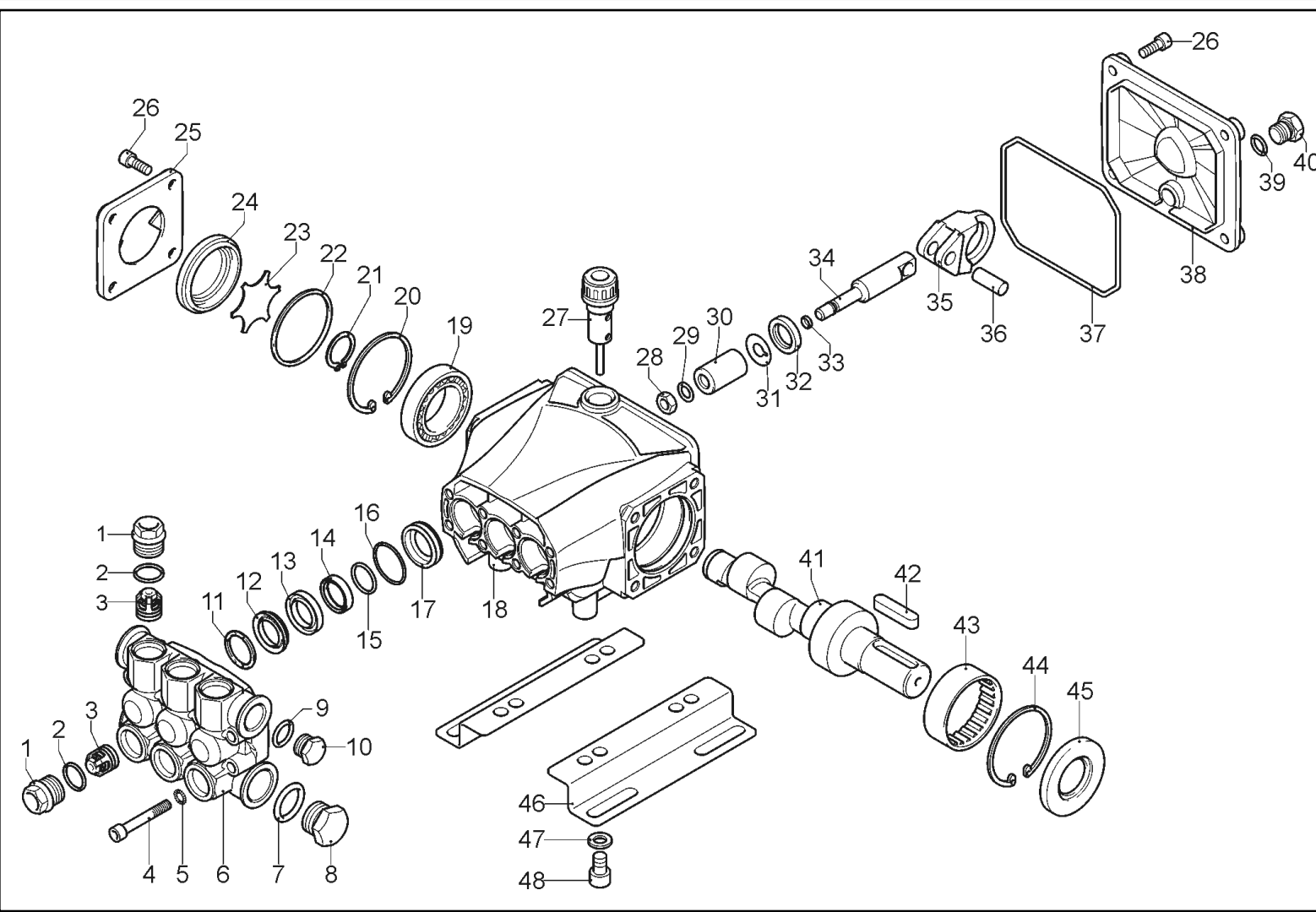
Ref. K	Part N.	Customer Part N.	Description	Qty	Validity:		Price
					From	To	
IG	MECI71645		SWITCH WMX MS 25 10-16 A	1,00			--
CV1	MECB40182		CABLE H07 RNF 4X1.5 L=6.500	1,00			--



Ref.	K	Part N.	Customer Part N.	Description	Qty	Validity:		Price
						From	To	
0001		PVVR40120		CAP AR RC	6,00			--
0002		GUGO03505		O-RING D. 15.6 X 1.78 NBR 70SH	6,00			--
0003	S	VVAM40002		VALVE UNIT RC	6,00			--
0004		VTVT01531		SCREW TE 6X 16 UNI 5739	8,00			--
0005		VTRS00503		WASHER D. 6 TE UNI 6798	8,00			--
0006		MFVR40019		HEAD AR RC OT.	1,00			--
0007		GUGO19245		O-RING D. 17.5 X 2 NBR 70SH	1,00			--
0008		PVVR40121		CAP 1/2 M RC	1,00			--
0009		GUGO09720		O-RING D. 14 X 1.78 NBR 70SH	1,00			--
0010		PVVR40099		CAP 3/8 M HRM	1,00			--
0011	S	PVVR40122		HEAD RING D. 18 RC	3,00			--
0012	S	GUVR40035		PACKING D. 18 RC H.P.	3,00			--
0013		PVVR40123		INTERMED. RING D. 18 RC	3,00			--
0014	S	GUVR40036		PACKING D. 18 RC L.P.	3,00			--
0015	S	GUVR40037		ANTI-EXTR.RING D.20	3,00			--
0016	S	GUGO19290		O-RING D. 23.52 X 1.78 NBR 70SH	3,00			--
0017		PVVR40124		PACKING RETAIN.D. 18 RC	3,00			--
0018		MFVR40020		PUMP CRANKCASE AR RC	1,00			--
0019		CUVR14408		BALL BEARING 6304-2RS1	1,00			--
0020		VTAE32478		CIRCLIP D. 32 UNI 7437	1,00			--
0021		VTAE06193		CIRCLIP D. 20 UNI 7435	1,00			--
0022		GUGO02561		O-RING D. 47.5 X 2.62 NBR 70SH	1,00			--
0023		PVVR40125		DISC RC	1,00			--
0024		PVVR40126		OIL INDICATOR RC	1,00			--
0025		MFVR40021		CRANKCASE COVER AR RC LT.	1,00			--
0026		VTVT01531		SCREW TE 6X 16 UNI 5739	8,00			--
0027		PVVR19231		OIL CAP XTS	1,00			--
0028		VTDD00483		NUT M 8 ZIN UNI 5588	3,00			--
0029		VTRS19394		WASHER D. 8X13X0.5	3,00			--
0030	S	PIVR40005		PISTON D.18X30 RC	3,00			--
0031		PVVR19233		DISC XTS	3,00			--
0032	S	GUGO09690		OIL SEAL 15X 24X 5 NBR70	3,00			--
0033		GUGO08071		O-RING D. 4.48 X 1.78 NBR 70SH	3,00			--
0034		PVVR40127		PISTON GUIDE RC	3,00			--
0035		BLVR40001		CONNECTING ROD RC	3,00			--
0036		PVVR40128		GUDGEON D. 9X23 RC	3,00			--
0037		GUGO18695		O-RING D. 101.27 X 2.62 NBR 70SH	1,00			--
0038		MFVR40022		CRANKCASE COVER AR RC	1,00			--
0039		GUGO01036		O-RING D. 10.82 X 1.78 NBR 70SH	1,00			--



Ref.	K	Part N.	Customer Part N.	Description	Qty	Validity:		Price
						From	To	
0040		PVVR40129		CAP 3/8 M RC	1,00			--
0041		ALMO40006		SHAFT AR RC 14LT VRS. N	1,00			--
0042		VTVR41531		KEY 8X 7X35 UNI 6604A	1,00			--
0043		CUVR23636		ROLLER BEARING HK 4516	1,00			--
0044		VTAE06193		CIRCLIP D. 20 UNI 7435	1,00			--
0045	S	GUGO00999		OIL SEAL 25X 52X 7 NBR70	1,00			--



Ref. Part N.	Cust. Part N.	Description	Reference	Price
KTRI40092		KIT P 15-2186 RC	0003	--
KTRI40093		KIT P 15-42467 RC	0030	--
KTRI40094		KIT P 15-42464 D.18 RC	0012 0014 0015 0016	--
KTRI40095		KIT P 15-2745 D.18 RC	0011	--
KTRI40096		KIT P 15-42468 RC	0032 0045	--