



IPC Integrated Professional Cleaning

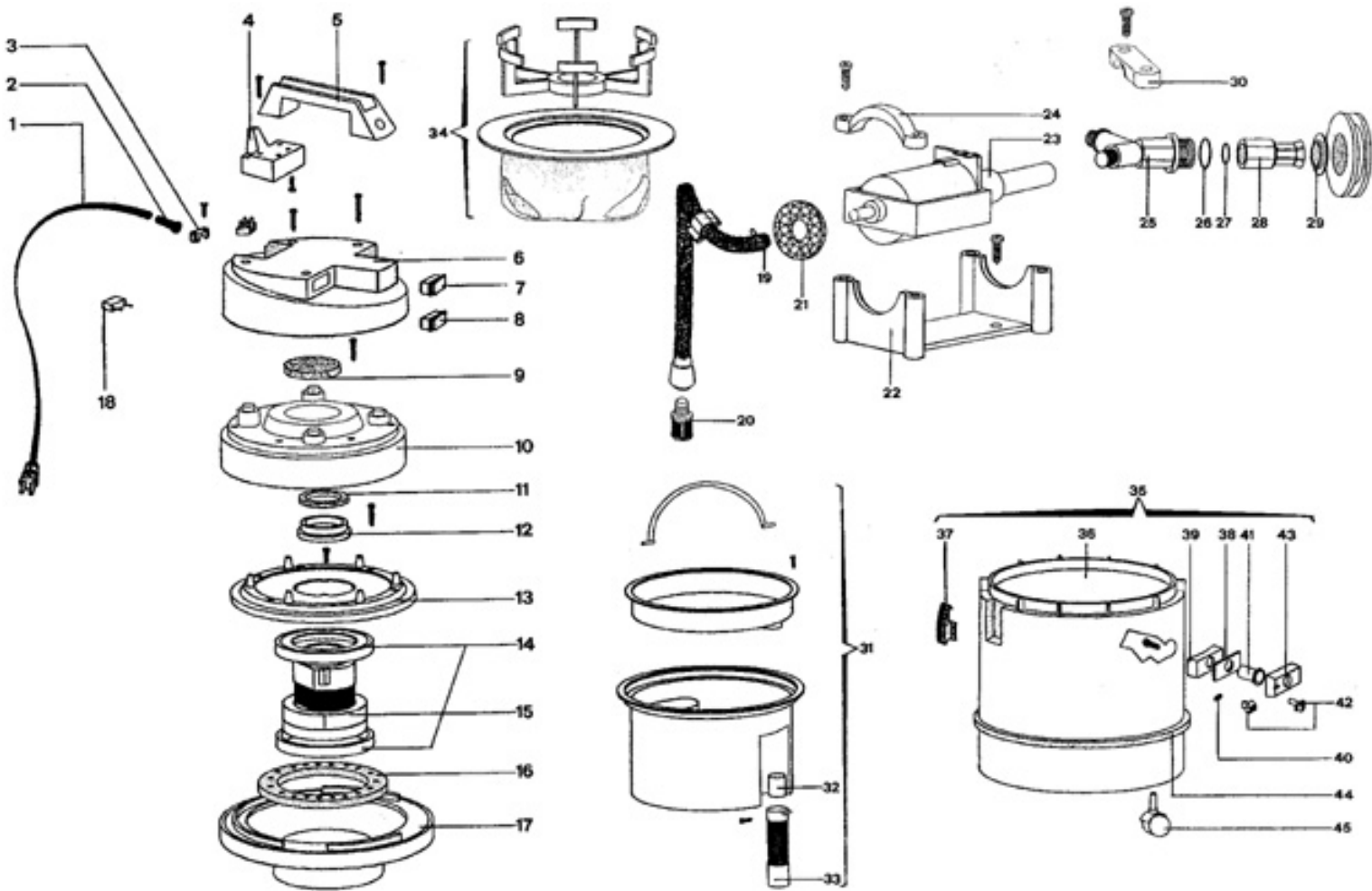
IPCPortotecnica

Spare Parts List

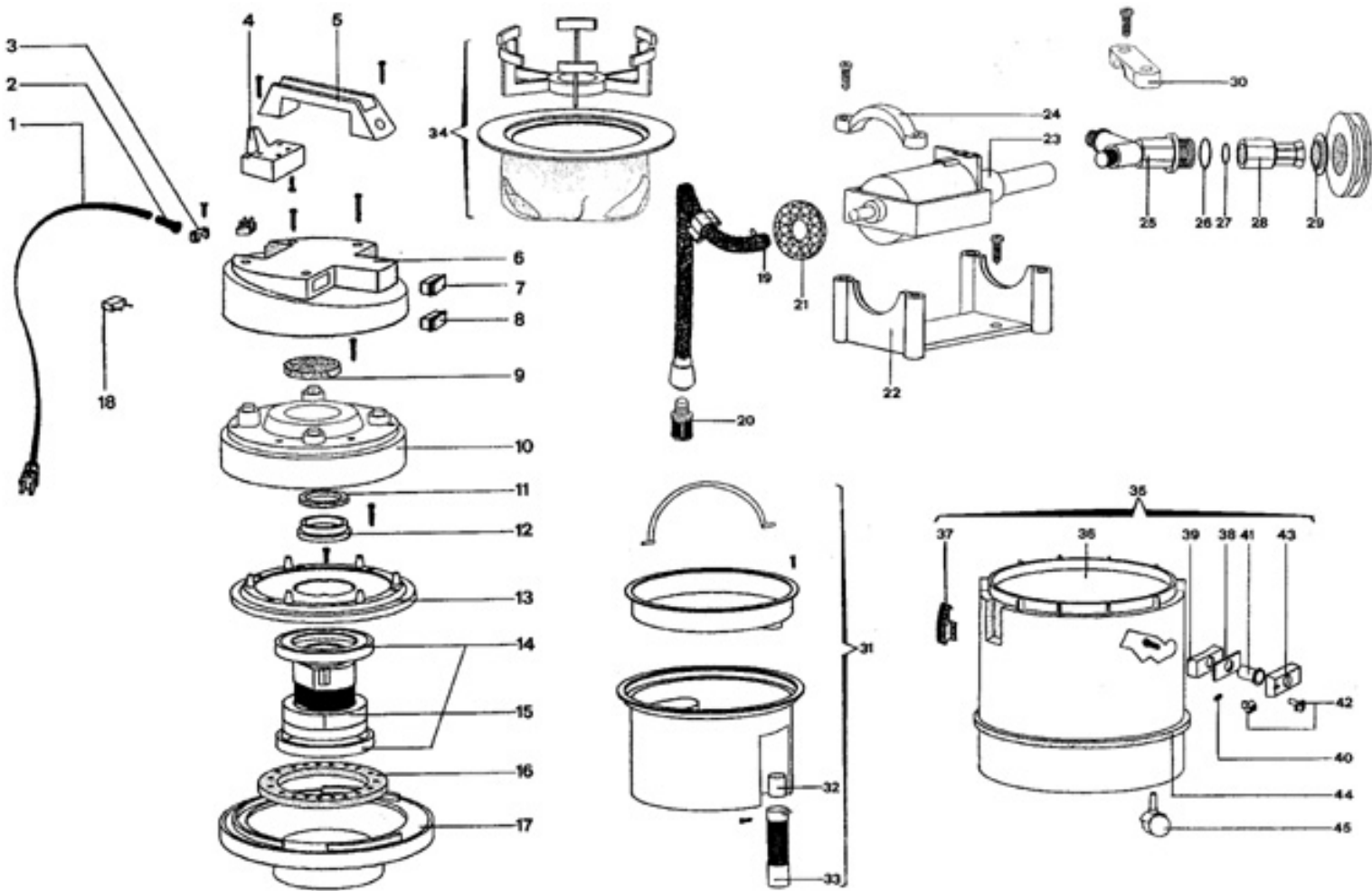
PORTOTECNICA

Ref: ASDO40259

Model: LAVAMOQ MIRAGE SUP. 230/240-5/60 3-01PRT



Ref. K	Part N.	Customer Part N.	Description	Qty	Validity: From	To	Price
0001	MECB28672		CABLE MIR. 2X1	1,00			--
0002	MEVR28673		FAIR-LEAD SZ G	1,00			--
0003	MPVR28690		CABLE FASTNER MIR.	1,00			--
0004	MPVR28674		HOOK F.CABLE MIR. 1200	1,00			--
0005	MPVR28675		HANDLE MIR. 1200	1,00			--
0006	MPVR28789		COVER MIR. PLUS	1,00			--
0007	MECI28744		SWITCH SLX 16A 250V 0-1 LUM. RS	1,00			--
0008	MECI28831		SWITCH SLX 16A 250V 0-1 LUM. VE	1,00			--
0009	FTDP38064		FILTER D. 95 F.	1,00			--
0010	MPVR28790		COVER MIR. PLUS	1,00			--
0011	MPVR38371		SPACER MIR. H8 S.600	1,00			--
0012	MPVR34370		RING MIR. 1100	1,00			--
0013	MPVR28791		MOTOR SUPPORT MIR. PLUS	1,00			--
0014	GUGO38055		GASKET MIR. L SF	2,00			--
0015	MOMO28716		MOTOR MIR. 1050W 23/240V 5/60HZ	1,00			--
0016	FTDP38067		RING MTP/65	1,00			--
0017	MPVR28792		BASE MIR. PLUS	1,00			--
0018	MECO36752		CAPACITOR 220 NF + R.680K	1,00			--
0019	TBBP04917		L.P. HOSE D. 6- 9	1,00			--
0020	FTDT26714		FILTER D.21 PG. D. 6.5	1,00			--
0021	GUGO28799		GASKET D. 32X 13X 3	2,00			--
0022	LAFN28798		SUPPORT PLS. "U"	1,00			--
0023	PPEL28645		PUMP PLS. 220/240V "U"	1,00			--
0024	LAFN28797		BRACKET PLS. "U"	2,00			--
0025	RCVR41998		CONNECTOR Y 1/4 1U PLS.	1,00			--
0026	GUGO11225		O-RING D. 10.78 X 2.62 NBR 70SH	1,00			--
0027	GUGO21638		O-RING D. 7.60 X 2.62 NBR 70SH	1,00		05/1998	--
0028	RCIN41999		QUICK COUPLING PL. 1/4" F CLEAN	1,00		05/1998	--
0028	RCIN76603		QUICK SOCKET PUL. 1/4F	1,00	05/1998		--
0029	RCIN42000		RING NUT IN.CLEAN	1,00		05/1998	--
0030	MPVR28794		SUPPORT PLS.	1,00			--
0031	MPVR42001		WATER TANK MIR. SUP. 6LT.	1,00			--
0032	RCGR28778		FLOATER PLS.	1,00			--
0033	FTAC28777		FILTER PLS. "NEW"	1,00			--
0034	FTDP34375		FILTER MIR. 1102 POL.H 75	1,00			--
0035	MPVR42002		DRUM SUP. 99/LV	1,00			--
0036	MPVR42003		DRUM SUP. 99	1,00			--
0037	CHVR28735		LEVER HOOK MIR. 1600	2,00			--
0038	GUGO28701		GASKET MIR. D. 38	1,00			--



Ref. K	Part N.	Customer Part N.	Description	Qty	Validity:		Price
					From	To	
0039	GUGO28736		GASKET MIR. "R205"	1,00			--
0040	MLML28697		SPRING MIR. "99"	1,00			--
0041	MPVR42004		BAFFLE MIR. "99/60"	1,00			--
0042	MPVR28694		BUTTON MIR. "99"	1,00			--
0043	MPVR31447		PIPE UNION MIR. "99" 2.V	1,00			--
0044	MPVR42005		BUMPER SUP. 99 PVC	1,00			--
0045	RTRT42006		TURNING WHEEL D. 40 P.	4,00			--