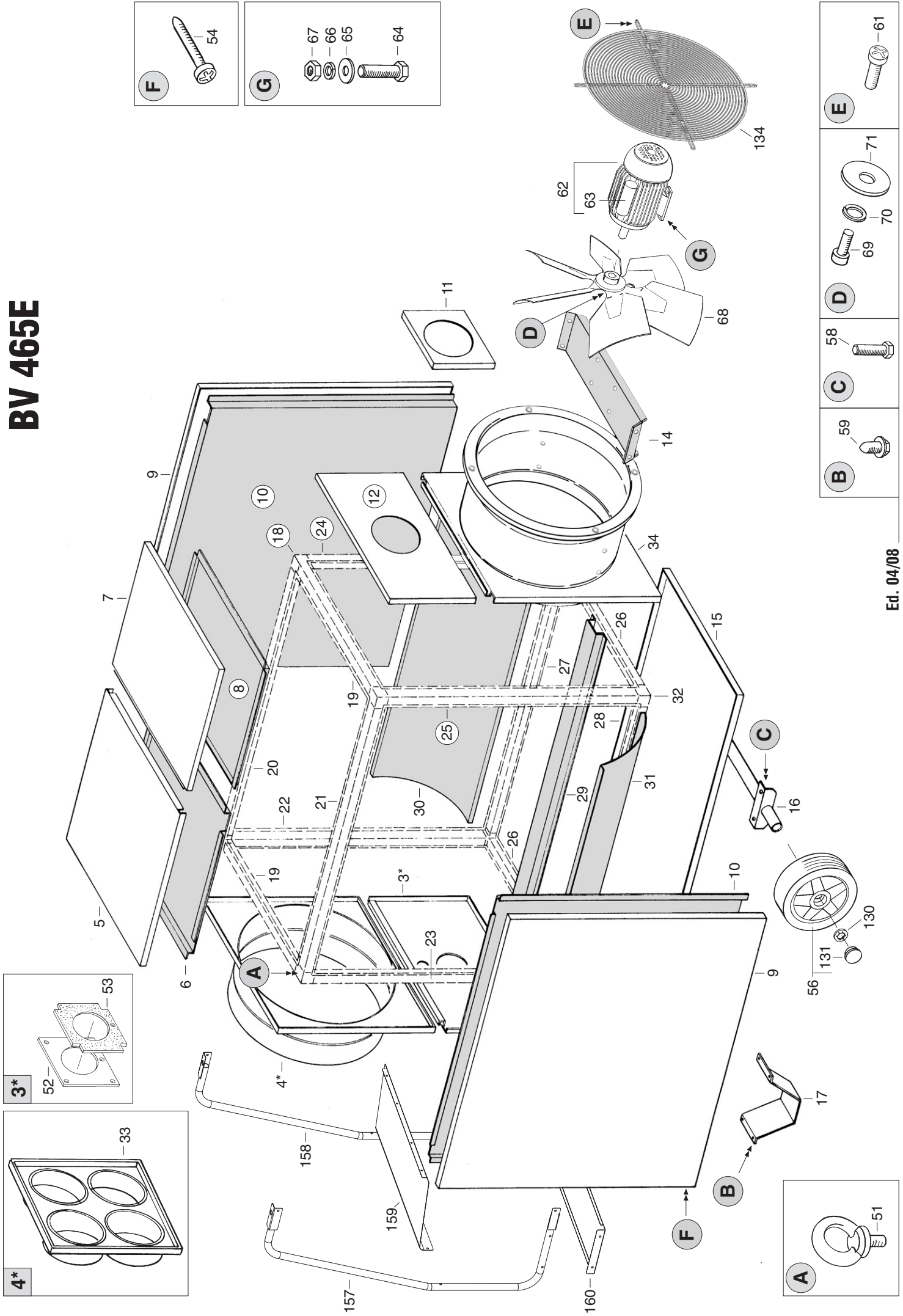
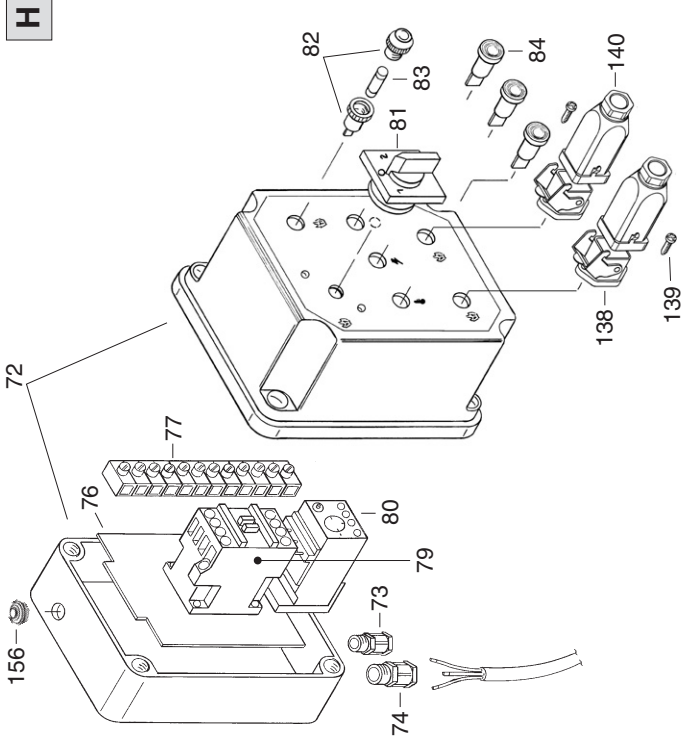
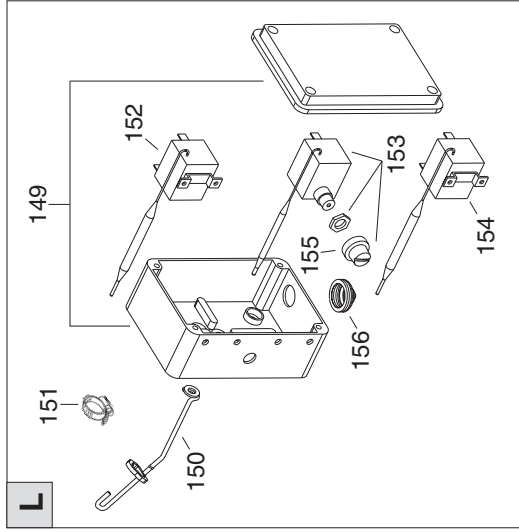
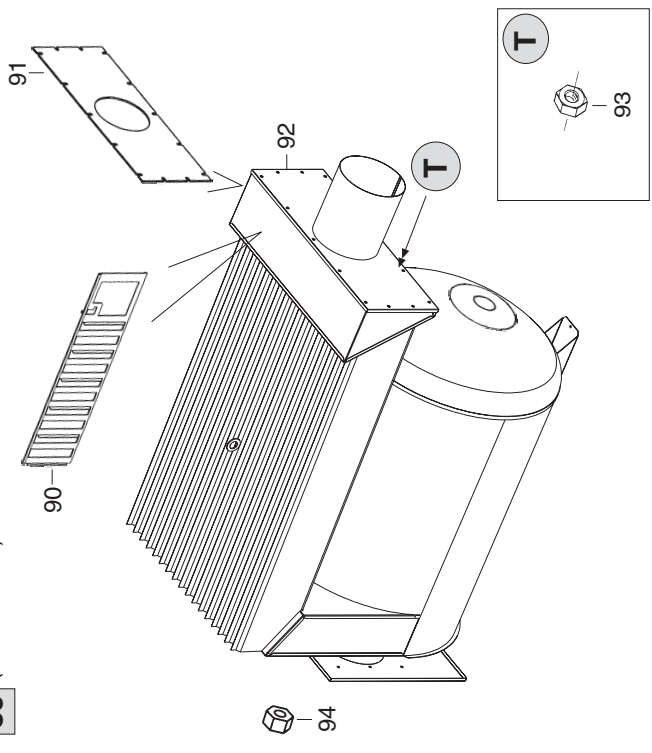


# BV 465E

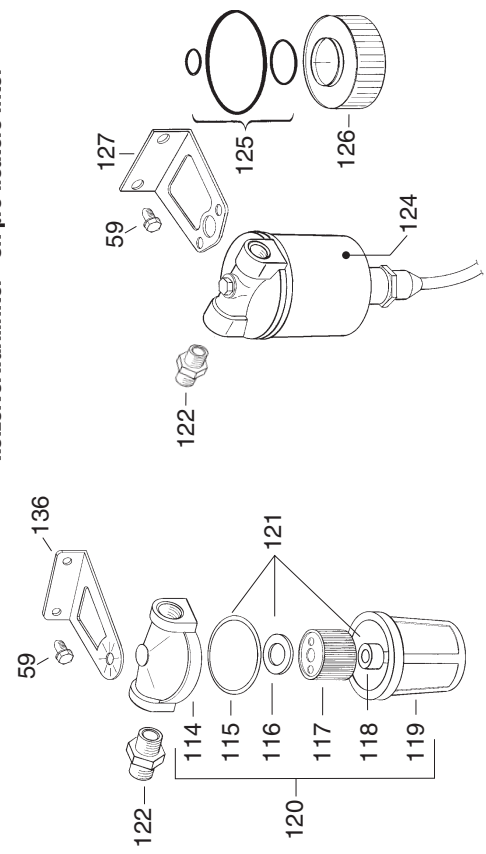




**89** (90/91/92/93)



**Filtro gasolio con preriscaldamento**  
**Filtere gasoil pre-chauffage**  
**Heizölvorwärmfilter - Oil pre-heaters filter**



## MASTER HIGH OUTPUT INDIRECT HEATERS BV 465

Pos.	Description	Code
3	Burner Panel	S/R
4	Outlet Air Panel Ø584	4013.228
5	Front Upper Panel	S/R
6	Inner Panel	S/R
7	Rear Upper Panel	S/R
8	Inner Panel	S/R
9	Side Panel	S/R
10	Inner Panel	S/R
11	Chimney Flange Ø200	4032.221
12	Chimney Panel	S/R
14	Motor Support Plate	4032.016
15	Bottom Panel	4032.222
16	Wheels Axle	4031.344
17	Front Support	4031.183
18	Aluminum Joint With Nut M10	4031.331
19	Upper Short Angle Steel	S/R
20	Upper Long Sx Angle Steel	S/R
21	Upper Long Dx Angle Steel	S/R
22	Vertical Front Sx Angle Steel	S/R
23	Vertical Front Dx Angle Steel	S/R
24	Vertical Back Sx Angle Steel	S/R
25	Vertical Back Dx Angle Steel	S/R
26	Lower Short Angle Steel	S/R
27	Lower Long Sx Angle Steel	S/R
28	Lower Long Dx Angle Steel	S/R
29	Comb. Chamber Support	S/R
30	Comb. Chamber Sx Support	S/R
31	Comb. Chamber Dx Support	S/R
32	Aluminum Joint	4032.161
33	4 Ways Ø275 Panel	4013.227
34	Fan Support Panel	S/R
51	Suspending Ring Screw M10	4031.332
52	Burner Support (Minor 20-Blu 170)	4032.028
53	Burner Plate Seal 210X210X5	4031.201
54	Screw Tc 8X1"	4140.675
56	Wheel Ø250	4031.386
58	Screw Te M8X25	4032.089
59	Screw Te14X1/2" Fr	4032.040
61	Screw Tc M6X16 F.R.	4032.107
62	Motor Hp 1,5 V.230/50 1Ph	4031.345
63	Condenser Mf 32	4031.346
64	Screw Te M8X30	4032.047
65	Washer Ø8XØ24X2,5	4140.668
66	Spring Washer Ø8	4140.669
67	Nut M8	4140.671
68	Fan Ø560	4031.347
69	Screw Te M10X20	S/R
70	Spring Washer Ø10	S/R
71	Washer Ø11XØ35X2	S/R
72	El. Components Box	4031.427
73	Cable Fastener Pg 9	4032.053
74	Cable Fastener Pg 11	4032.052
76	El. Components Support Plate	S/R
77	Terminal Board 12 El. Mmq 10	4032.056
79	Contacto Wimex Kn16 V220	4031.334
80	Relay Iskra Trb14 A. 6-10	4032.061
81	Control Knob 1-0-2	4031.268
82	Fuse Holder	4031.902
83	Fuse (5X20) A. 6	4031.102
84	Red Pilot Lamp Ø12 V230	4031.169

## MASTER HIGH OUTPUT INDIRECT HEATERS BV 465

Pos.	Description	Code
89	Combustion Chamber	4032.069
90	Baffle Plate	4032.070
91	Chimney Seal 513X248X5	4032.072
92	Chimney Cover	4032.074
93	Nut M6 Ot	4032.075
94	Female Plug 1"	4032.076
114	Filter Head 3/8"	4031.428
115	Filter Or	4031.150
116	Upper Seal	4031.075
117	Filter Cartridge	4031.015
118	Lower Seal	4031.191
119	Filter Housing	4031.180
120	Filter 3/8"	4031.070
121	Or Kit Filter	4111.116
122	Nipple 3/8"M-1/4"M	4032.104
124	Oil Pre-Heater	4031.120
125	Seal Kit For Oil Pre-Heater	4031.181
126	Filter Cartridge	4031.179
127	Filter Support	4031.122
130	Wheel Holder Ø25	4031.177
131	Plastic Plug	4031.178
134	Inlet Grille	4031.429
136	Filter support	4031.432
138	Thermostat Socket	4031.444
138	Burner Socket	4032.108
139	Screw Tc 4X1/2"	4032.109
140	Thermostat Plug (5 pin)	4031.087
140	Burner Plug (4 pin)	4111.118
149	El. Components Box	4031.433
150	Bulbs Holder	4032.120
151	Clip	4032.121
152	Thermostat Ty95 30/90 °C	4032.122
153	Thermostat Ty95H 120 °C	4032.123
154	Thermostat Ty95 0/60 °C	4032.124
155	Safety Thermostat Plastic Profile	4032.125
156	Cable Protection Ø19	4162.101
157	Right Handle	4031.434
158	Left Handle	4031.435
159	Burner Casing Top Cover	4031.436
160	Casing Bottom	4031.437
H + L	El. Components Box COMPLETE	4031.438
not shown	Room Thermostat Th 5A	4150.110
not shown	Air Hose Ø610 Mm, 7,6 M For 1-Way Outlet	4031.407
not shown	Air Hose Ø510 Mm, 7,6 M For 2-Way Outlet	4031.403
not shown	Air Hose Ø305 Mm, 7,6 M For 4-Way Outlet	4031.406
not shown	Hose Binder	4161.432
not shown	Fuel Pipe Flex 4 M	4031.460
not shown	Riello Burner 40G20-TL	4032.367

S/R = Parts available by special request only