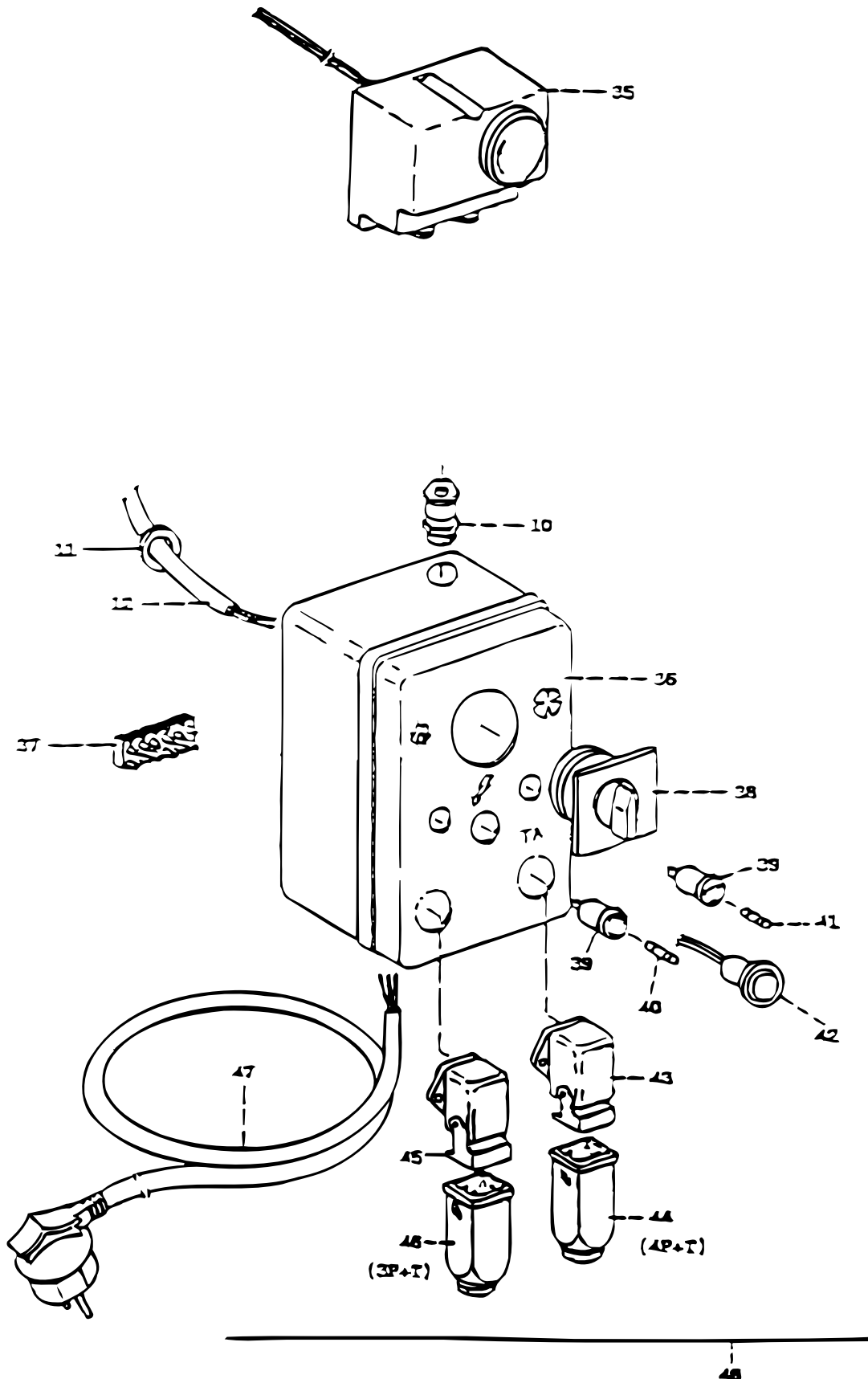


Spareparts VENTED HEATERS

MODEL BV 440

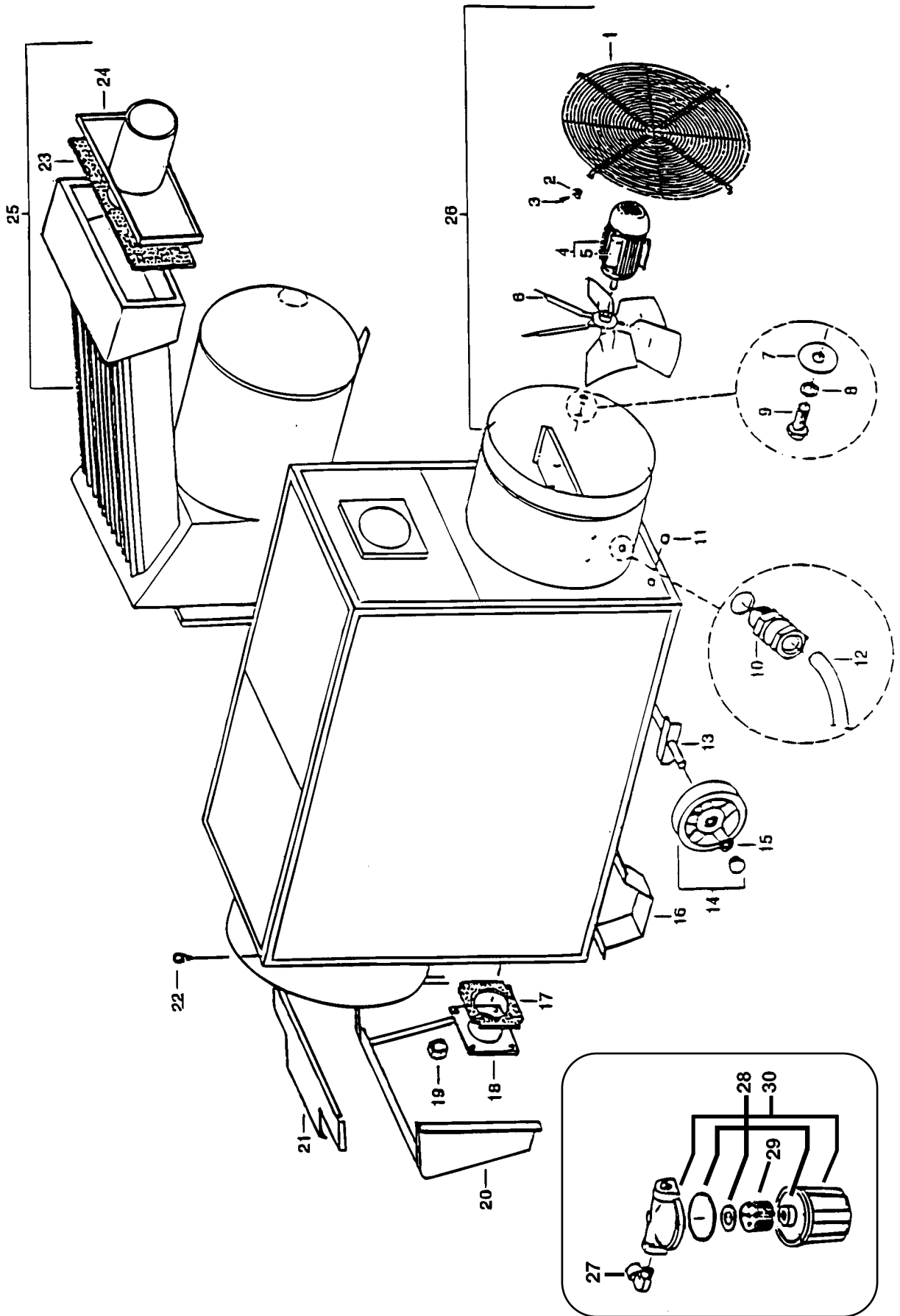
ILLUSTRATED PARTS BREAKDOWN



Spareparts VENTED HEATERS

MODEL BV 440 <97

ILLUSTRATED PARTS BREAKDOWN



Spareparts VENTED HEATERS

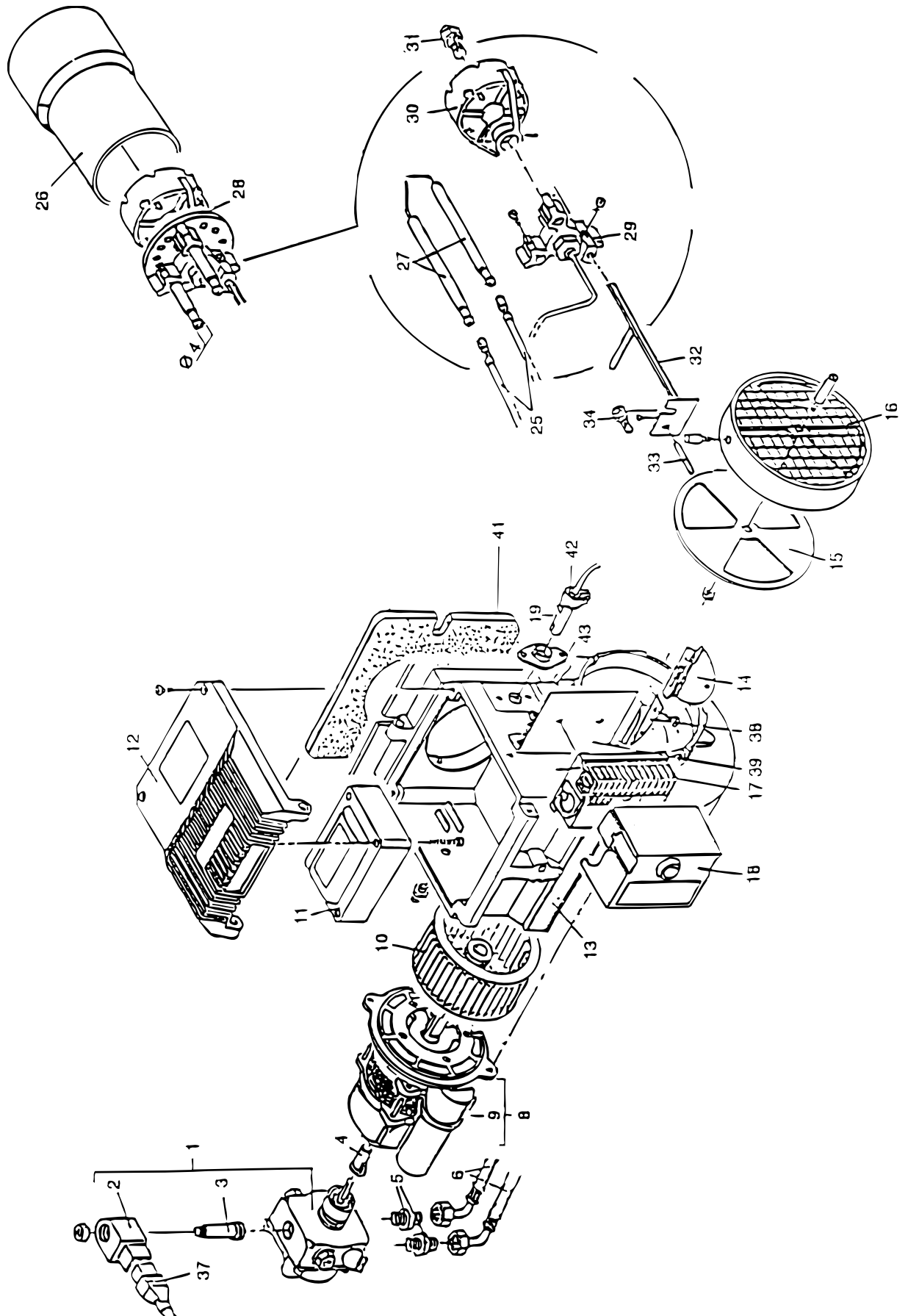
Pos.	Description	BV 440 <97
1	INLET GRILLE	4031.189
2	ELASTIC PLATE M5	4031.182
3	SCREW TC M5X16	S/R
4	1.5 HP 3-MOTOR	4031.253
5	45 UF CONDENSER	4031.212
6	FAN Ø 550 MM 36	4031.263
7	WASHER 6X24X2	S/R
8	ELASTIC GROVER WASHER Ø 6	S/R
9	SCREW TE M6X16	S/R
10	CABLE FASTENER PG 11	S/R
11	CABLE PROTECTION Ø 18	S/R
12	KABEL 4X1 (MT)	S/R
13	AXLE	4031.157
14	WHEEL Ø 250X50	4031.134
15	WHEEL HOLDER Ø 25	4031.177
16	BEARING	4031.183
17	GASKET	4031.201
18	BURNER SUPPORT	S/R
19	1" IRON PLUG	S/R
20	BURNER COVER	4031.185
21	TOP COVER BURNER	4031.190
22	SUSPENDING RING SCREW M10	4031.332
23	THERMAL ISULATION	4031.203
24	CHIMNEY INSPECTION DOOR	S/R
25	COMBUSTION CHAMBER	S/R
26	1,5 HP FAN 3-	S/R
27	CONNECTION 90" 1/4 MF	4031.222
28	FILTER HEAD	S/R
29	FILTER OR	S/R
30	UPPER SEAL	4031.181
31	FILTER CARTRIDGE	S/R
32	LOWER SEAL	S/R
33	FILTER HOUSING	S/R
34	FILTER 1/4	S/R
35	BITHERMOSTAT TTCA	4031.194
36	EL. COMPONENTS BOX	4031.261
37	TERMINAL BOARD 6MM 2	S/R
38	CONTROL KNOB 1-0-2	4031.268
39	FUSE HOLDER	4031.206
40	6,3 A FUSE (5X20)	4031.102
41	10 A FUSE (5X20)	4031.101
42	RED PILOT LAMP Ø 10	4031.260
43	4P + G SOCKET	4031.086
44	4P + G PLUG	4031.087
45	3P + G SOCKET	4031.088
46	3P + G PLUG	4031.089
47	EL. WIRE 5X1.5 (MT)	S/R
48	EL. COMPONENTS DRAWER	4031.198
49	FUSE HOLDER UN. (5X20)	4031.188

S/R = Parts Available by Special Request Only

Spareparts VENTED HEATERS

MODEL BV 440 <97

ILLUSTRATED PARTS BREAKDOWN



Spareparts VENTED HEATERS (BURNER MINOR 12 <1997)

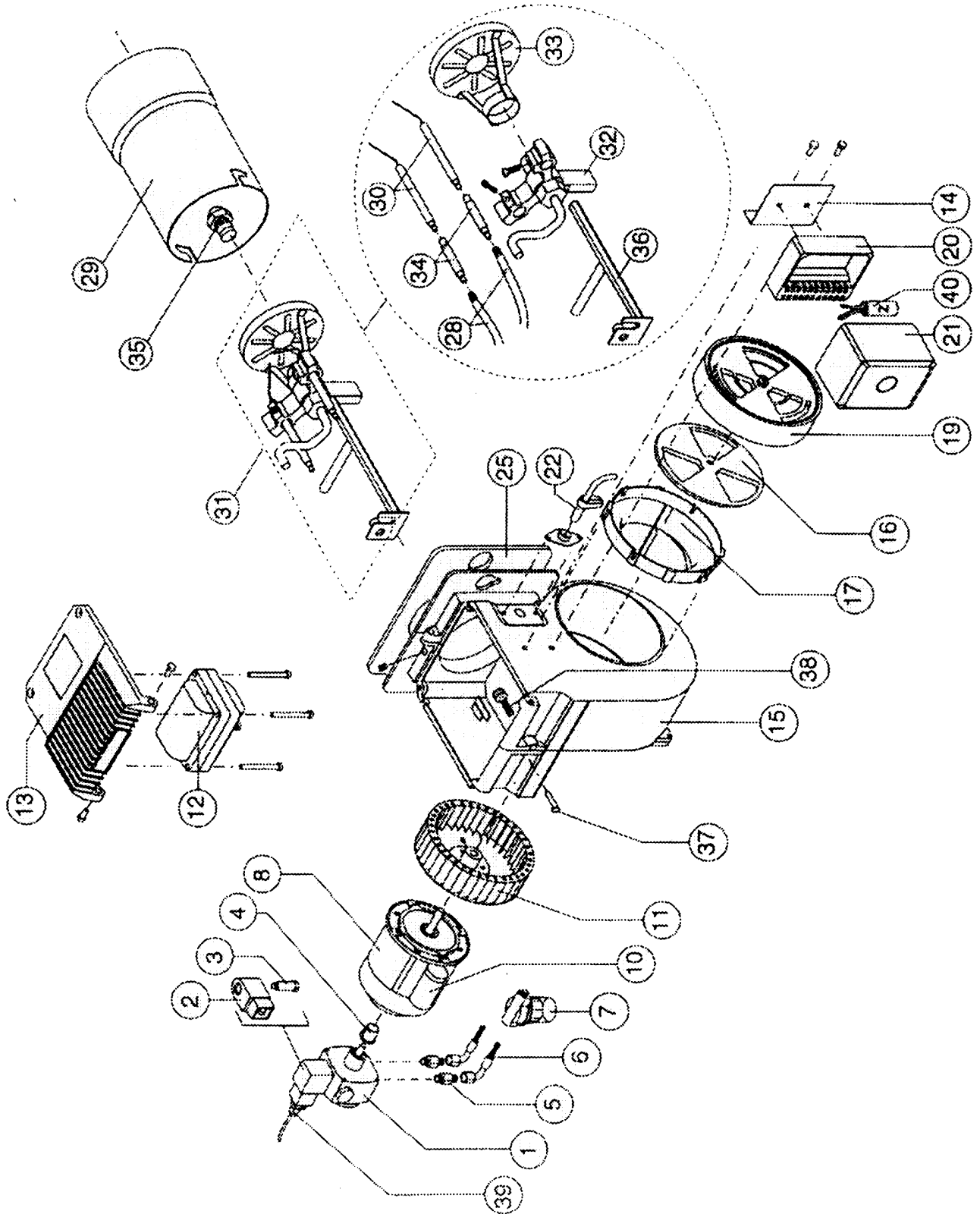
Pos.	Description	BV 440 E <1997
1	DANFOSS PUMP	4031.197
1.1	SUNTEC PUMP AS 47	4031.050
2	DANFOSS SPOOL	4031.019
2.1	SUNTEC SPOOL	4031.300
3	DANFOSS VALVE	4031.195
3.1	SUNTEC VALVE	4031.055
4	COUPLING K1	4031.060
5	NIPPLE FE 1/4" FF90	4031.234
6	PIPE FLEX L=400 MM	4031.257
7	OIL PREHEATER	4031.121
8	MOTOR 130 W	4031.254
9	CAPACITOR 6.3UF	4031.165
10	FAN 124 X 60	4031.209
11	H.T TRANSFORMER 8/20	4031.098
12	ALLUMINIUM COVER	S/R
13	BURNER BODY	4031.280
14	AIR FLAP	S/R
15	AIR DAMPER	4031.252
16	PLASTIC AIR INLET	4031.258
17	CONTR. BOX BASE LANDIS & GYR	4031.010
18	CONTR. BOX LANDIS & GYR LOA 21	4031.005
19	PHOTOCELL LANDIS & GYR	4031.090
25	HT CABLES	4031.200
26	BLAST TUBE	4031.247
27	ELECTRODE SET (2 PIECES)	4031.338
28	FIRING HEAD COMPLETE	4031.251
29	NOZZLE HOLDER	4031.256
30	DIFFUSER	4031.237
31	NOZZLE 2.5 GPH 60 DGR	4031.100
32	ROD L.200	4031.259
33	INDEX	S/R
34	HEAD SETTING SCREW	4031.211
37	CABLE	S/R
39	CONTROL BOX BASE	S/R
41	SEAL (170 X 145)	4031.199
42	PHOTOCELL RING	4031.009
43	PHOTOCELL FLANGE	4031.008
*** 27	ELECTRODE RIGHT	4031.204
	ELECTRODE LEFT	4031.208

S/R = Parts Available by Special Request Only

Spareparts VENTED HEATERS

MODEL BV 440 >97

ILLUSTRATED PARTS BREAKDOWN



Spareparts VENTED HEATERS BV 460 E

Pos.	Description	BV 440 E >1997
1	DANFOSS PUMP	4031.197
1.1	SUNTEC PUMP AS 47	4031.050
2	DANFOSS SPOOL	4031.019
2.1	SUNTEC SPOOL	4031.300
3	DANFOSS VALVE	4031.195
3.1	SUNTEC VALVE	4031.055
4	COUPLING K1	4031.060
5	NIPPLE FE 1/4" FF90	4031.234
6	PIPE FLEX L=400 MM	4031.257
7	OIL PREHEATER	4031.121
8	MOTOR 130 W	4031.254
9	SUPPORT	S/R
10	CAPACITOR 6.3UF	4031.165
11	FAN 124 X 60	4031.209
12	H.T TRANSFORMER 8/20	4031.098
13	ALLUMINIUM COVER	S/R
13	BURNER BODY	4031.280
14	SUPPORT	S/R
15	FAN HOUSING/BURNER BODY	4031.280
16	AIR DAMPER	4031.252
17	AIR CONVEYOR	S/R
18	AIR DAMPER SCREW	S/R
19	COVER AIR INLET	4031.258
20	CONTR. BOX BASE BRAHMA > 97	4031.016
21	CONTR. BOX BRAHMA >97	4031.014
22	PHOTOCELL BRAHMA	4031.018
23	WIRING TERMINAL BOX	S/R
24	PROTECTION BOX	4031.312
25	SEAL	4031.199
26	FLANGE	S/R
27	O-RING	S/R
28	HT CABLES	4031.200
29	BLAST TUBE	4031.247
30	ELECTRODE SET (2 PIECES)	4031.338
31	FIRING HEAD COMPLETE	4031.251
32	NOZZLE HOLDER	4031.256
33	DIFFUSER	4031.237
34	ANTI DISTURB HEATER	4031.283
35	NOZZLE 2.5 GPH 60 DGR	4031.100
36	ROD L.200	4031.259
37	INDEX	S/R
38	HEAD SETTING SCREW	4031.211
39	CABLE	S/R
40	ANTIDISTURB FILTER	4031.282

S/R = Parts available by special request only