

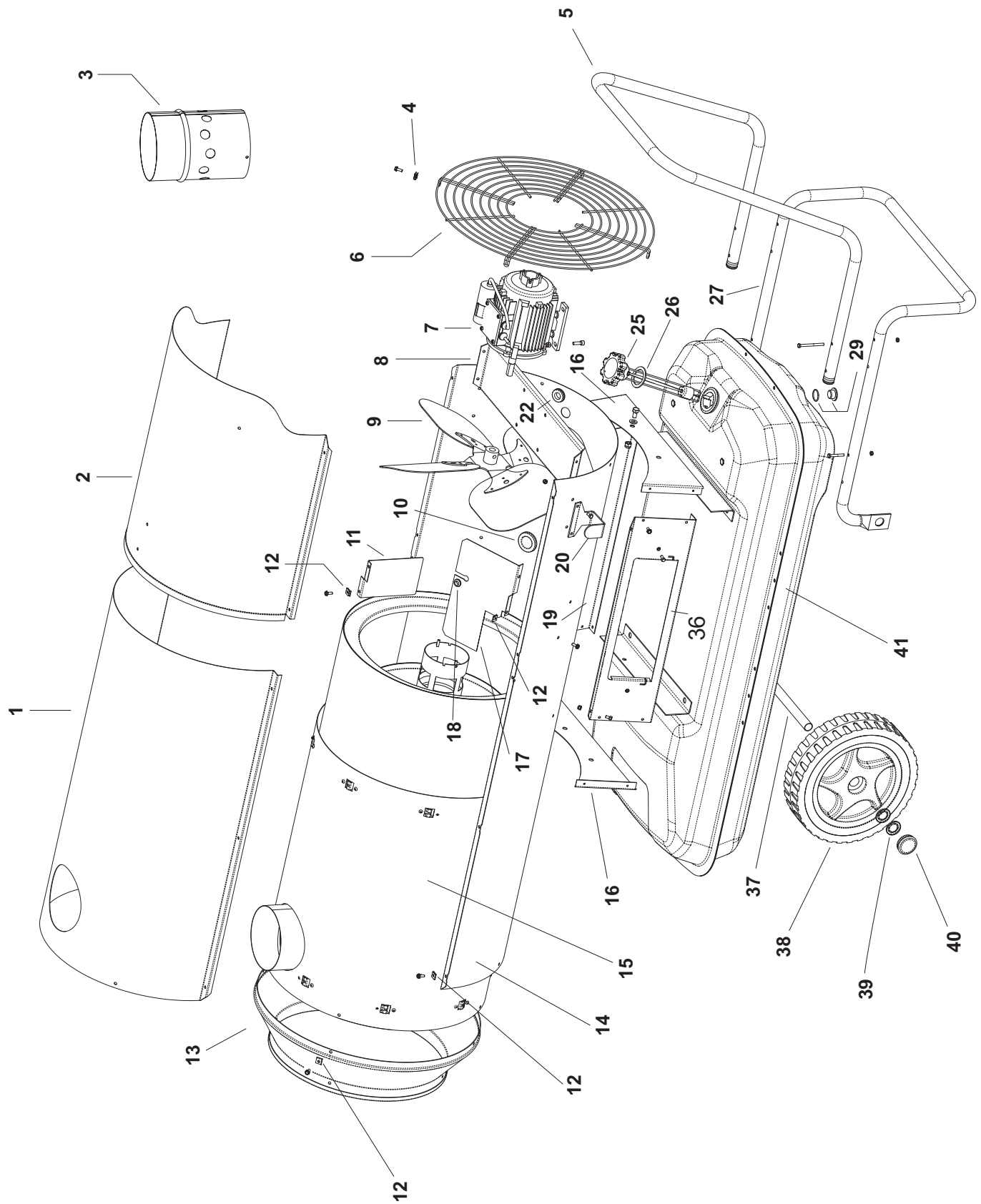
BV 290 MODEL 2012

UNIT 1

ILLUSTRATED PARTS BREAKDOWN

From Serial Number: 32200523

Edizione 2012
Rev. A



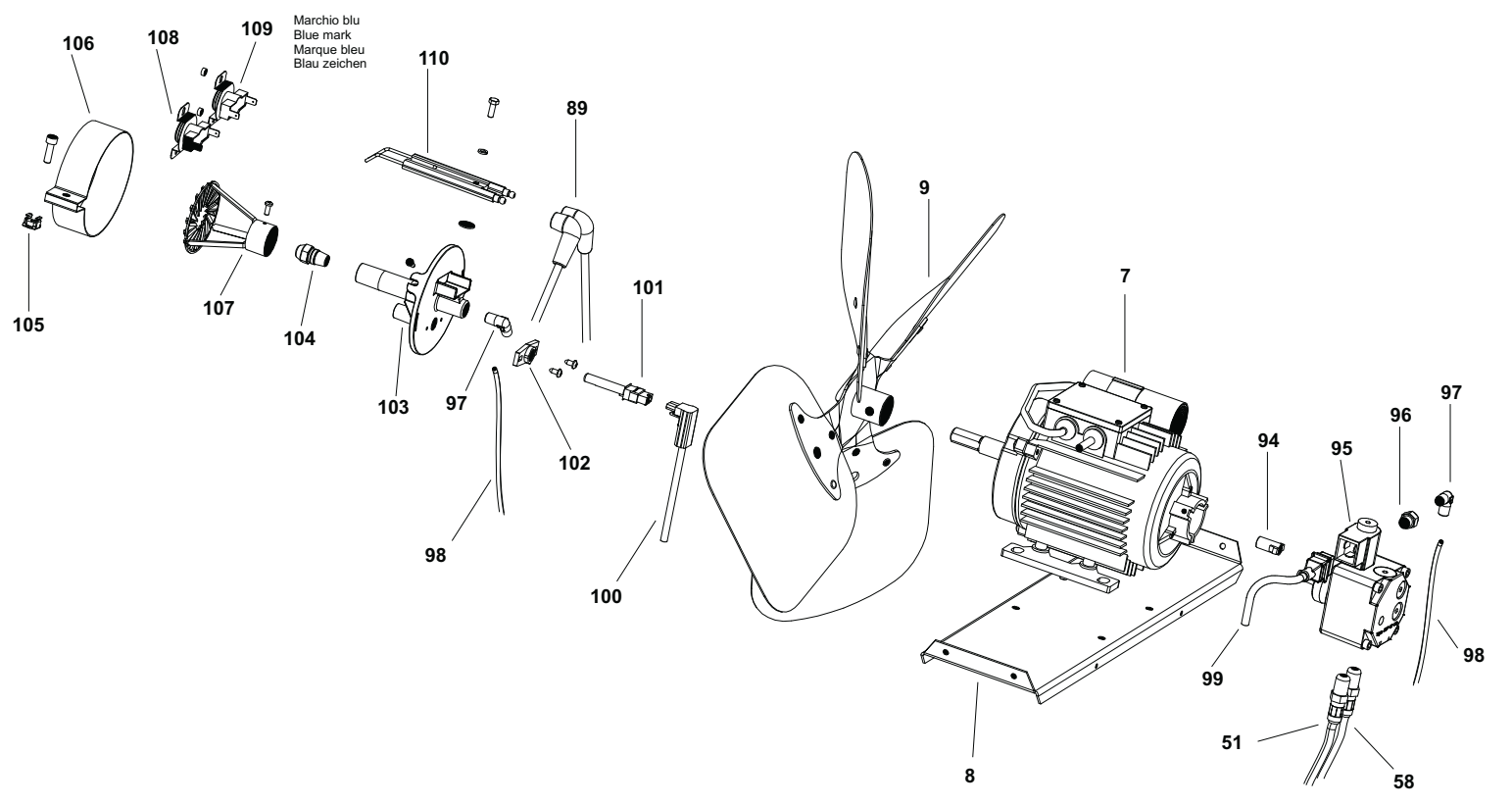
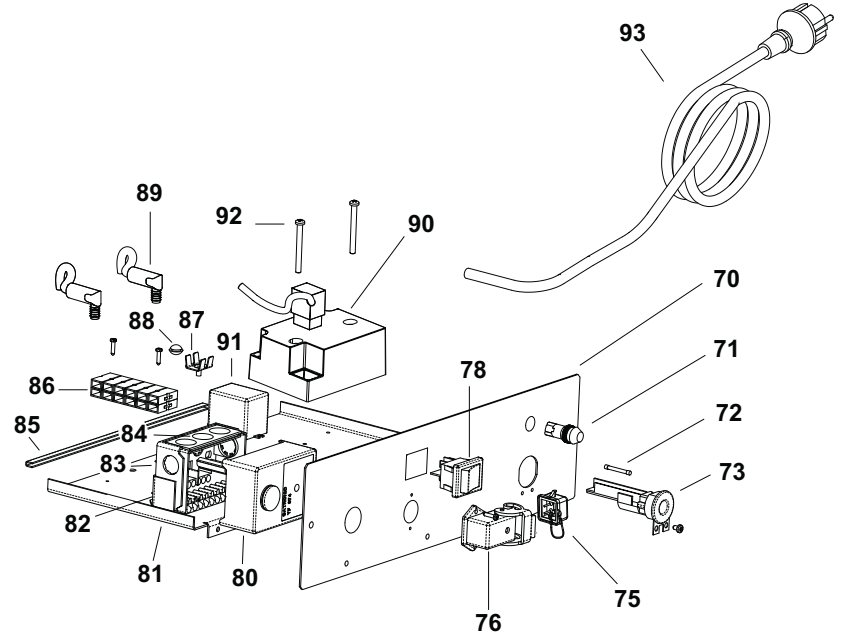
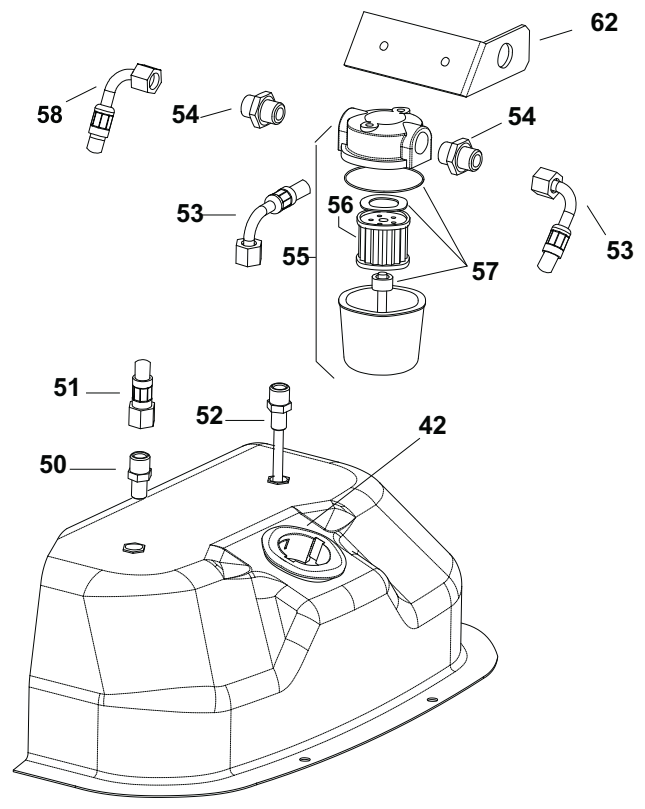
BV 290 MODEL 2012

UNIT 2

ILLUSTRATED PARTS BREAKDOWN

From Serial Number: 32200523

Rev.A - May 2012



| Pos. | Code NR | Description |
|-------------|----------------|---------------------------------|
| 1 | 4032.456 | UPPER BODY |
| 2 | 4032.458 | UPPER BODY MOBILE |
| 3 | 4032.534 | CHIMNEY |
| 4 | 4111.241 | ELASTIC PLATE |
| 5 | 4032.480 | HANDLE FRAME |
| 6 | 4032.465 | INLET GRILL |
| 7 | 4032.431 | MOTOR 4P 750 W |
| 8 | 4032.463 | MOTOR FLANGE SUPPORT |
| 9 | 4032.430 | FAN |
| 10 | 4111.056 | PROTECTION CABLE |
| 11 | 4032.518 | CENTRAL AIR FLAP |
| 12 | 4104.170 | CLIP NUT |
| 13 | 4032.452 | OUTLET CONE |
| 14 | 4032.460 | LOWER BODY |
| 15 | 4033.190 | COMBUSTION CHAMBER |
| 16 | 4032.470 | BASE |
| 17 | 4032.462 | AIR FLAP |
| 18 | 4101.151 | PROTECTION CABLE |
| 19 | 4032.468 | SIDE PANEL |
| 20 | 4032.536 | POWER CORD HOOK |
| 22 | 4160.646 | PROTECTION CABLE |
| 25 | 4032.475 | FUEL LEVEL PROBE |
| 26 | 4032.537 | TANK PLUG SEAL |
| 27 | 4032.476 | FOOT FRAME |
| 29 | 4100.632 | DRAIN PLUG |
| 36 | 4032.466 | ELECTR. COMPONENTS DRAWER PANEL |
| 37 | 4032.478 | AXLE |
| 38 | 4110.978 | WHEEL |
| 39 | 4111.072 | WHEEL HOLDER |
| 40 | 4111.480 | WHEEL PLUG |
| 41 | 4032.439 | FUEL TANK |
| 42 | 4032.472 | NECK PLASTIC FILLER |
| 50 | 4031.068 | CONN. STRAIGHT 1/4" |
| 51 | 4031.062 | FUEL PIPE PUMP-TANK |
| 52 | 4031.067 | PIPE CONNECTION 1/4" |
| 53 | 4031.063 | FUEL PIPE TANK-FILTER |
| 54 | 4031.064 | DOUBLE SCREW |
| 55 | 4031.070 | FILTER WITH CARTIDGE 3/8" |
| 56 | 4031.015 | FILTER CARTRIDGE |
| 57 | 4111.116 | OR KIT FILTER |
| 58 | 4031.061 | FUEL PIPE FILTER-PUMP |
| 62 | 4032.437 | FILTER SUPPORT |
| 70 | 4032.446 | ELECTRIC. COMPONENTS DRAWER |

| Pos. | Code NR | Description |
|-------------|----------------|------------------------------|
| 71 | 4117.058 | PILOT LAMP |
| 72 | 4111.040 | FUSE (6,3x32) 10 A |
| 73 | 4111.038 | CABLE FASTENER |
| 75 | 4162.467 | CAP FOR THERMOSTAT SOCKET |
| 76 | 4111.119 | THERMOSTAT SOCKET |
| 78 | 4160.637 | SWITCH |
| 80 | 4110.968 | CONTROL BOX SATRONIC |
| 81 | 4032.448 | ELECTR. COMPONENTS BASE |
| 82 | 4032.499 | CONTROL BOX SUPPORT |
| 83 | 4110.969 | CONTROL BOX BASE |
| 84 | 4110.967 | SUPPORT PG PHOTOCELL |
| 85 | 4110.155 | EDGE LINER |
| 86 | 4111.033 | TERMINAL BOARD |
| 87 | 4160.639 | POP RIVET WITH TERMIN. 4 WAY |
| 88 | 4032.450 | PLASTIC PIN |
| 89 | 4110.490 | H.T. CABLE |
| 90 | 4031.541 | TRANSFORMER |
| 91 | 4111.032 | RELAY FINDER |
| 92 | 4160.421 | M4 SCREW |
| 93 | 4111.153 | POWER CORD |
| 94 | 4111.081 | COUPLING SIMEL |
| 95 | 4033.122 | PUMP DANFOSS |
| 96 | 4161.501 | NUT FOR BICONE 1/8 |
| 97 | 4033.198 | ELBOW 1/8" |
| 98 | 4033.186 | OIL SUPPLY PIPE |
| 99 | 4033.087 | PUMP POWER CORD |
| 100 | 4110.970 | PHOTOCELL CONN.CABLE |
| 101 | 4110.966 | PHOTOCELL |
| 102 | 4111.076 | PHOTOCELL BLOCK BRACKET |
| 103 | 4033.059 | BURNER FLANGE |
| 104 | 4031.030 | NOZZLE 1,50 GPH 80°S |
| 105 | 4032.454 | M6 NUT |
| 106 | 4032.453 | AIR REGULATION FLAP |
| 107 | 4033.071 | TURBO DISC |
| 108 | 4031.045 | FAN THERMOSTAT |
| 109 | 4031.047 | LIMIT THERMOSTAT |
| 110 | 4111.826 | ELECTRODE |