

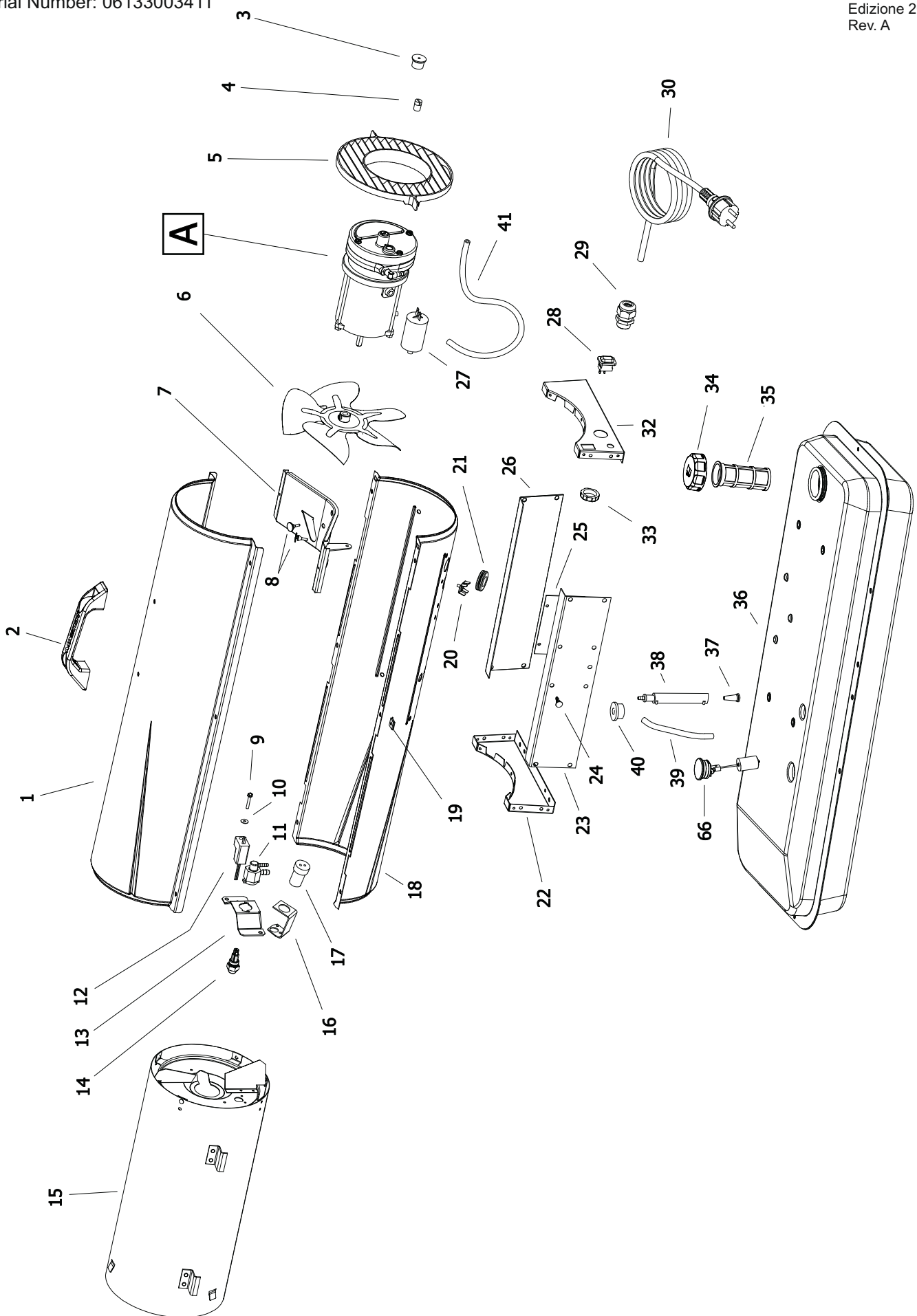
B 65 CEL MODEL 2013

UNIT 1

ILLUSTRATED PARTS BREAKDOWN

Edizione 2013
Rev. A

From Serial Number: 06133003411

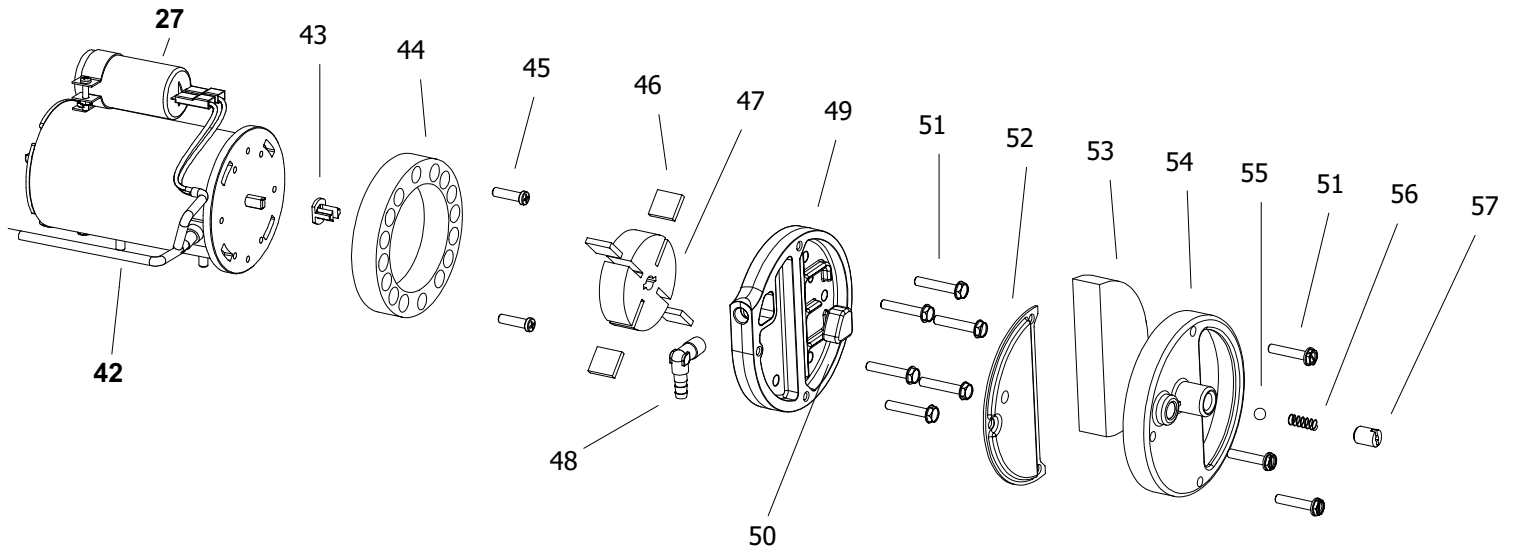


B 65 CEL MODEL 2013

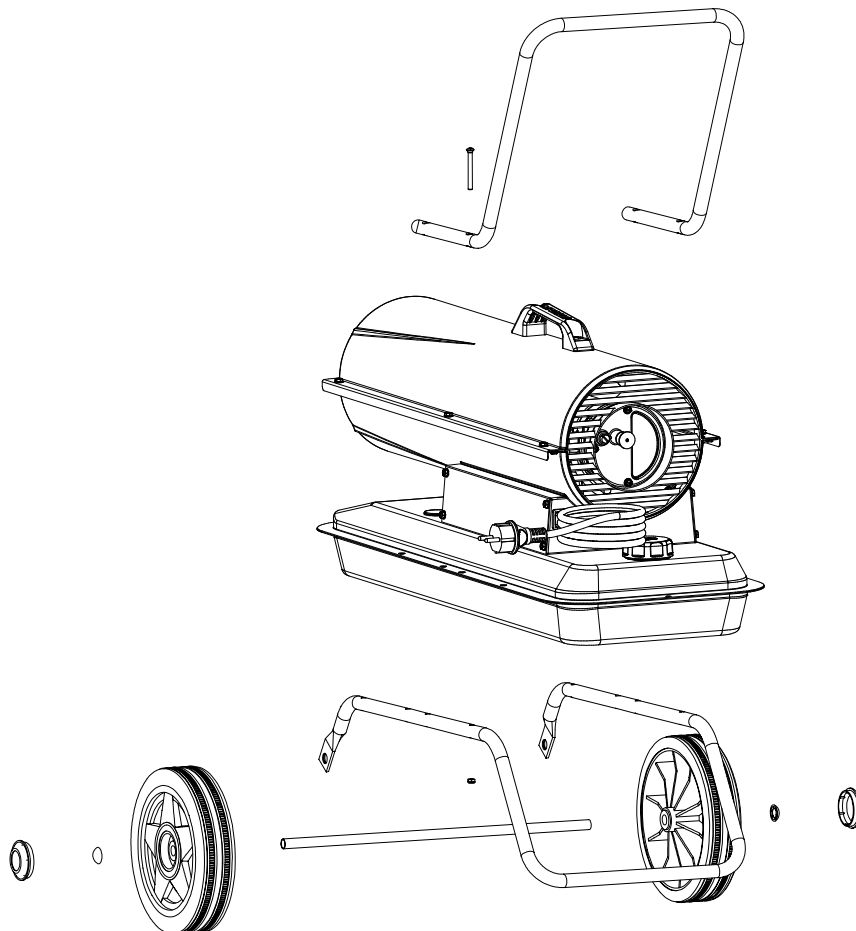
UNIT 2

ILLUSTRATED PARTS BREAKDOWN

A



4103.925 Wheel Kit



Pos.	Code NR	Description
1	4109.808	UPPER SHELL
2	4162.934	PLASTIC HANDLE
3	4100.666	COVER CAP
4	4102.125	PRESSURE GAUGE CAP
5	4109.812	FAN GUARD
6	4100.662	FAN
7	4110.187	MOTOR BRACKET
8	4150.553	BUMPER
9	4100.669	SCREW
10	4100.660	WASHER
11	4100.663	NOZZLE ADAPTER
12	4110.132	IGNITOR
13	4100.653	NOZZLE BRACKET
14	4100.647	NOZZLE
15	4110.126	COMBUSTION CHAMBER
16	4100.658	PHOTOCELL BRACKET
17	4103.590	PHOTOCELL ASSEMBLY
18	4109.809	LOWER SHELL
19	4104.170	CLIP NUT
20	4160.639	POP RIVET WITH TERMIN. 4 WAY
21	4160.646	CABLE PROTECTION
22	4110.113	FRONT FRAME BRACKET
23	4106.211	CONTROL BOX SIDE PANEL
24	4110.460	PC BOARD SUPPORT
25	4110.142	IGNITION CONTROL ASSEMBLY
26	4106.210	SIDE PANEL
27	4111.854	CAPACITOR 7,5UF
27	4110.293	CAPACITOR 5UF
28	4100.667	ON/OFF SWITCH
29	4150.528	STRAIN RELIEF
30	4110.451	POWER CORD
30-A	4111.811	POWER CORD NEW ZEALAND
30-B	4110.464	POWER CORD UK

Pos.	Code NR	Description
32	4110.114	REAR FRAME BRACKET
33	4100.656	LOCKNUT
34	4260.007	FUEL TANK CAP
35	4290.026	FUEL TANK FILTER
36	4110.895	FUEL TANK
37	4110.356	FUEL FILTER
38	4110.391	FUEL LINE
39	4110.032	FUEL LINE
40	4100.541	RUBBER BUSHING
41	4104.147	AIR LINE
42	4110.480	MOTOR 1/8 HP
43	4108.635	INSERT
44	4101.317	PUMP BODY
45	4108.588	PUMP BODY SCREW
46	4101.200	BLADE
47	4108.627	ROTOR
48	4100.661	BARB ELBOW
49	4109.724	PUMP END COVER
50	4109.716	LINT FILTER
51	4108.528	SCREW/LOCKWASHER 4,8x25
52	4109.708	OUTPUT FILTER
53	4109.690	INTAKE FILTER
54	4109.674	END COVER
55	4108.379	STEEL BALL
56	4102.141	PRESSURE RELIEF SPRING
57	4102.133	ADJUSTING SCREW
66	4260.006	FUEL GAUGE
...	4103.925	WHEEL KIT HD B35/70